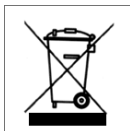


DF213 Dog Fence System

Operation Guide



CE



Introduction

Congratulations on your purchase of the *DF213 Dog Fence System*! We understand that along with the proper setup of your new electronic fence system, it's also important to properly train and teach your pet to understand it's new boundaries. This training will ensure your pet(s) will be happy and safe for years to come, and we look forward to helping you successfully achieve this goal.

Please read the operation guide carefully before beginning system setup and training your pet. As always, if you have any questions when reading through this manual, don't hesitate to contact us.

Table of Contents

| | |
|--|----|
| Components..... | 4 |
| How the system works..... | 5 |
| Main Features | 7 |
| Fence Transmitter | 9 |
| Transmitter..... | 12 |
| Receiver Collar..... | 16 |
| Setting Up In Ground Fence System | 17 |
| Fence System Training Guide..... | 27 |
| Dog Pass Through Fence System Mode | 29 |
| Setting Up Multi-Dog System..... | 31 |
| Switch Single Mode and Dual Mode..... | 38 |
| Charging | 40 |
| Troubleshooting Guide..... | 42 |

Components



Lanyard



Spanner



Long Prongs



TPU Strap



Transmitter



Test light



Rubber Prongs



USB Cable



Receive Collar



Boundary Wire



5V DC Adaptor



Fence transmitter



Screwdriver



18V DC Adaptor



Operation Guide



Boundary Flag



Boundary Wire Connector

How the System Works

Proven to be safe, comfortable, and effective for dogs over 10 lbs./5kg., the *DF213 Dog Fence System* is a combination of both the in ground fence system and the remote dog training system.

To begin with, you define the Pet Area or boundaries you wish to have for your pet. Once that is determined, Boundary Wire is buried or attached to a fixed object to enclose the Pet Area. Your fence system works by producing a radio signal from the Fence Transmitter through the Boundary Wire, helping your pet to learn and understand his boundaries. When first implementing this system, you should temporarily define the Pet Area with Boundary Flags for a visual aid in training your pet.

In addition to the Boundary Wire, your pet

wears a Receiver Collar with Contact Prongs that touch your dog's neck. When your pet reaches the Warning Zone, the Receiver Collar gives a warning vibration to indicate you pet has reached the boundary. If your pet continues into the Correction Zone, a safe Static Correction will be delivered through the Contact Prongs to get your dog's attention until your dog returns to the 'Safe Pet Area.' Once trained, your pet is allowed to roam freely in the designated 'Safe Pet Area.'

Also included is the remote dog training collar system (For selected kits only), designed to assist you in controlling your pet without a leash and from long distances. At the push of a button, the Remote Transmitter sends a signal, activating the Receiver Collar. Using the Remote Trainer consistently and correctly, will aide in the training of your pet and correct many nuisance behaviors your pet currently displays i.e. excessive barking,

pulling washing off your line, digging under your fence, etc.

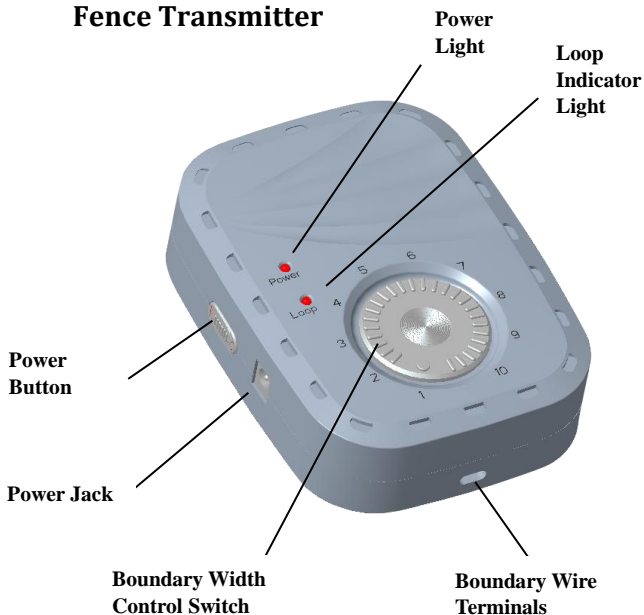
Important: The Remote Trainer's effectiveness and range is highly dependent on the way you hold the Remote Transmitter. Hold the Remote Transmitter in a horizontal position away from your body to achieve maximum range. Terrain, weather, vegetation, vehicle, buildings, transmission from other radio devices, and other factors may affect the range of your Remote Trainer.

Main Features

1. Combination of the in ground fence system and remote training system.
2. Train up to two dogs from the same Remote Trainer, with extended range up to 2,000 meters in open areas.
3. 99 levels of momentary&continuous shock stimulation.
4. One vibration and One tone
5. Highlight LED function can find pet from 200~300 meters away at night.
6. "Buzz" sound activated with a separate button.
7. Rotate Buttons allow you to set your shock level and lock suitable shock level
8. Dog selection button allow you to select dog
9. LED display provides easy visibility for selecting shock levels,vibration , warning beep ,and seeing dog ID,battery level
10. **Booster shock level function for urgent training**
11. 8 seconds safety termination. Your pet's

- Receiver Collar will automatically cease static correction when your pet gets stuck in the correction zone for more than 8 seconds.
12. Audible wire-break alarm to ensure you system is never down.
 13. Warning vibration and static correction for pet boundary awareness training.
 14. Ability to set pet pass through areas for your pet to pass through without any static corrections.
 15. 150M of wire, 50 PCS flags, and two Adaptors included.
 16. Waterproof receiver and remote trainer.
 17. Rechargeable 3.7V Li-ion battery for Receiver Collar and Remote Trainer.
 18. LED low power indicator that flashes red when battery is low.
 19. Fully functional multi-dog training system.

Fence Transmitter



Boundary Width Control Switch:

This knob allows you to adjust the Boundary Width, which is the combination of Warning Zone and Static Correction Zone.

Boundary Wire Terminals:

These terminals are where the Boundary Wire connect to the Fence Transmitter in order to form a continuous loop, designating the pet area.

Power Light:

This light indicates if the system is on or off. If the light is glowing, the system is on and functioning.

Loop Indicator Light:

This light indicates whether or not the Boundary Wire is forming a complete loop enabling the signal to be transmitted. If the light is glowing, a continuous loop has been formed.

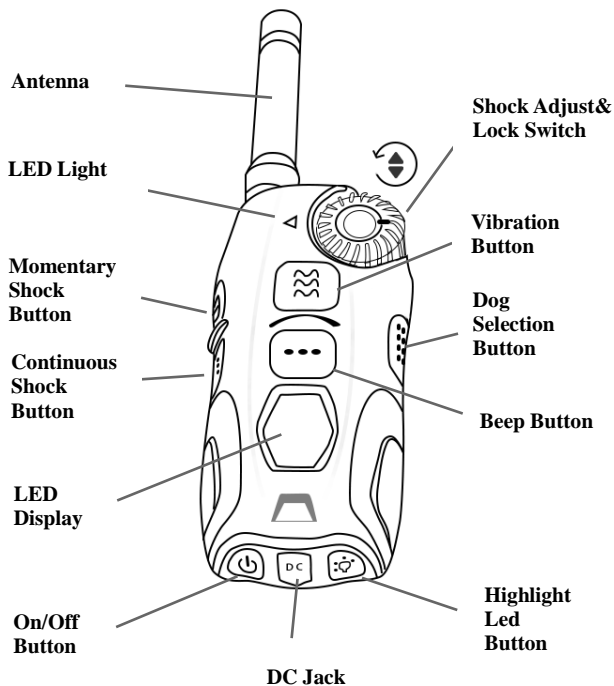
Power Jack:

This is the connection point for your Power Adaptor. The Transmitter is powered by 18V DC Power.

Power button:

Power on or off the Fence transmitter

Transmitter



Shock Adjust & Lock Switch:

.Rotate the switch to adjust the shock intensity from levels 0 to 99.

.Press and hold on the switch one second to lock the shock level , press and hold on the switch one second again to unlock the shock level

Vibration button:

Vibration stimulation. Press 1 time - vibrate 1 time. Press and hold on- emit continuous vibration. Will stop vibrating when you let go of the button. Will stop automatically when you go past 8 seconds of holding the button.

Dog selection button:

Move up to choose the first dog , The LED screen display “1”; Move down to choose the second dog, the LED screen display “2”

Beep button: No-stimulation warning beep

Led light: Indicates the working status and low battery

Highlight Led buttons: Press button one

time , the receive collar will highlight flash 1 time per 3 seconds continuously; Press button again , The highlight LED is on ; then Press button again, the highlight LED is off .

Momentary shock button: Momentary static shock.

Continuous shock button: Continuous static shock for about 8 seconds.

Booster Function: The booster function is activated when press **Momentary shock button + Continuous shock button** at the same time.

The booster function shock level = normal shock level + booster range level. (if the normal level is 10, the booster range level is 20, the booster function shock level is 30 . When press **Momentary shock button+ Continuous shock button** at the same time , the LED display will be 30)



LED display : Display the shock ,warning beep or vibration mode ; display shock level , lock or unlock shock level ,dog ID ,battery Level

On/Off button: This is the power switch; hold this button for 1 seconds to switch on power, then LED display is on. You may change Dog ID by move the Dog Selection Button. If you want to switch off the power, hold this button for 1 seconds to switch off power.

DC Jack: Charging the transmitter .

The transmitter has the memory functions to save the suitable shock for different dogs.

99 levels of shock stimulation,
1 level of vibration stimulation,
One tone.

NOTE: The red LED light will flash when the battery is low on power. Recharge the battery at once.

Receiver Collar

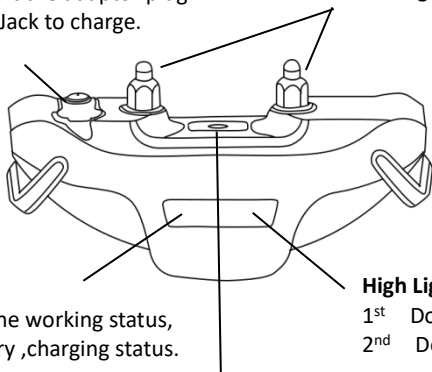
NOTE: CHARGE RECEIVER BEFORE FIRST USE. IF IT DOESN ' T CHARGE CONTACT US IMMEDIATELY

DC Jack Cover

Open the Rubber Cover and insert the adaptor plug into DC Jack to charge.

Contact Prong

Choose short or long prong to match the dog's coat type.



LED Light

Indicate the working status, low battery ,charging status.

High Light Led

1st Dog Light = White
2nd Dog Light = Red

On/Off Button and Dual/Single Mode Selector

Press and hold for 4 seconds to turn the collar on; two beeps will sound. Press and hold on 4 seconds again. 1 long tone will sound and the green LED light will stop flashing and turn off.

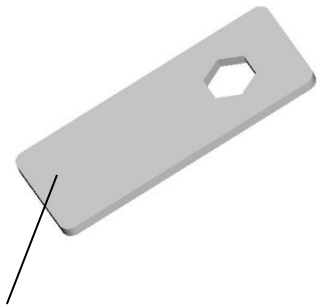
The collar has 2 modes:

Single mode: Fence function only, Green LED light flashes 2 times per 5 seconds

Dual mode: Fence function and remote function both, Green LED light flashes 1 time per 5 seconds

Turn the collar off when not in use to conserve battery

Spanner



This tool is used to change the Contact Prongs based on your pet's coat type.

Note: If the Contact Prong is tight, Continue turning and working the spanner clockwise. Never turn the contact prong too tightly.

Setting Up In Ground Fence System

We're excited for you to begin using your electronic fence system. To ensure your system works as designed, please follow these step-by-step directions for proper setup.

I. Locate the Fence Transmitter: To avoid

power shortages and proper function, install the Fence Transmitter inside a building or covered area away from the elements. Place the Fence Transmitter in a dry area where the temperature will not fall below freezing and at least three feet from any major appliance.

II. Layout the system and position the boundary wire: Design a Boundary Wire layout that is suitable for your yard. The Boundary Wire must start at the Fence Transmitter and make a continuous loop back.

Important: Running the Boundary Wire parallel to or within five feet of electrical wires, neighboring containment systems, telephone wires, television or antenna cables, or satellite dishes will cause an inconsistent signal. If you must cross any of these, do so at 90-degree angles.

III. Connect the boundary wire to the Fence

Transmitter: Strip the ends of the Boundary Wire and Insert each into the Boundary Wire Terminals of Fence Transmitter to make a complete loop.

Plug the Power Adaptor into the Power Jack of the Fence Transmitter and AC power supply outlet.

Power on the Fence transmitter , the Power Light is on

Important: If the Boundary Wire connection is OK, the Loop Indicator Light will be on after you power on Fence Transmitter. Otherwise, the Fence Transmitter will beep to warn of a break in the loop.

IV. Prepare the Receiver Collar: Your Receiver Collar comes with short Contact Prongs installed. Use the long Contact Prong for pets with long or thick hair, and the short

prong for pets with shorter coats of hair. Then simply press the On/Off button on the Receiver Collar to turn the collar on.

V. Set the boundary width and test the Receiver Collar: Rotate the knob of the Boundary Control Switch to adjust the width of the Warning Vibration Zone and Static Correction Zone. Set the Boundary width as wide as possible to give your pet the widest Warning Zone and Correction Zone possible.

To test the Receiver Collar, make sure the collar is first powered on. Hold the Receiver Collar at your pet's neck level and walk toward the Boundary Wire with Contact Prong pointing up until the Receiver Collar vibrating. If the Receiver Collar does not vibrate at the desired range, simply turn the Boundary Control Switch Knob clockwise to increase the Boundary Width or counterclockwise to decrease the Boundary Width. Repeat this

activity as needed until the Receiver Collar vibrates at the desired distance from the Boundary wire.

The Receiver Collar vibrates as a warning . After hearing the vibration, continue walking toward the Boundary Wire. The Receiver Collar will then emit a static shock, indicating you've entered the Correction Zone. The Receiver Collar has one vibration and static correction without the Remote Trainer.

Important: When your pet is walking close to the Boundary Wire, they will first receive a warning vibration, then a static shock . The shock level can be set by remote control.

Once you've validated that the collar triggers a warning vibration , and then emits a static shock, this means the system is working properly, and you're ready to bury the Boundary Wire.

VI. Install the Boundary Wire:

Installation of the Boundary wire begins with burying the wire to protect it and prevent people, animals, or even weather to disrupt the wire and break your continuous loop.

To start, cut a trench 1-3 inches deep along your planned boundary. Place the Boundary Wire into the trench maintaining some slack to allow it to expand and contract with temperature variations. Then use a blunt tool such as a wooden paint stick to push the Boundary Wire into the trench; all the while being careful not to damage the Boundary Wire.

If you decide not to bury the wire, there are other options for setting your pet area. The Boundary Wire can be carefully attached to a chain link fences, spilt rail fences, or even wooden privacy fences. The Boundary Wire

can be attached as high as needed; however, make sure the Boundary Width is set at a high enough range for the pet to receive the signal. The Boundary Wire can also be placed above the ground inside a conduit for protection.

Important: If attaching the boundary Wire to an existing fence the fence cannot be made of solid metal sheeting as this will interfere with the signal emitted from the transmitter box.

VII. Place the Boundary Flags:

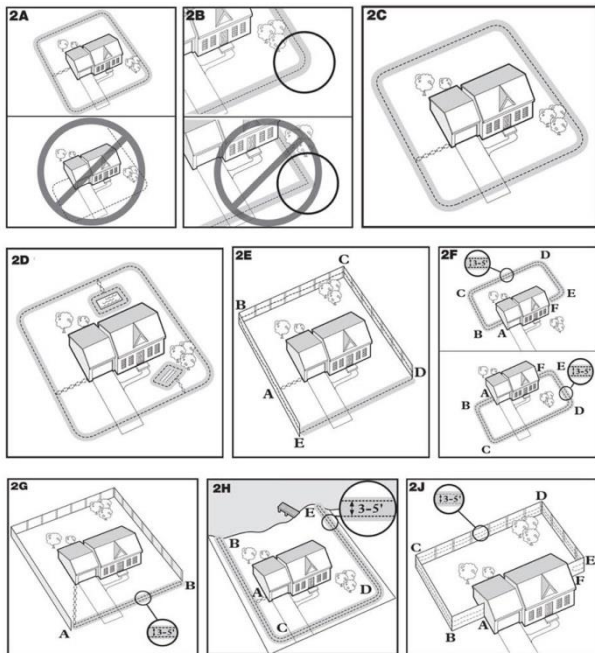
The Boundary Flags are visual reminders for your pet, teaching him where the Warning Zone is located. Hold the Receiver Collar at your pet's neck height and slowly walk towards to the Warning Zone until the Receiver Collar vibrates. Immediately when you hear the vibration, place a Warning Flag in the ground and then walk back into the Pet Area until the vibrating stops. Repeat this

process around the Warning Zone until it is marked with Boundary Flags approximately every 10 feet.

VIII. Fit the Receiver Collar:

Now that you've set the Boundary Area, it's time to fit your dog with his collar. Begin by placing the collar strap in the middle of your dog's neck. The receiver should be on the underside of his neck; however, on some dogs the receiver will naturally seek a slightly off-center position. Tighten the buckle by holding it with two fingers as you pull the strap snug. Keep in mind, the Receiver Collar must be put on your dog quite snugly to ensure consistent contact to skin. Do not put any fingers under the strap as you tighten.

Examples of Various Dog Fence Layouts



- Follow above wiring guidelines.

Fence System Training Guide

Now it's time to train your dog to live within the new boundaries that will be set for him/her. This fence is not a solid barrier so be patient, consistent, and remember that proper training on your part is what will make the installation of your *DF213 Fence System* successful. Please read this training section completely and thoroughly before beginning to train your pets. But don't forget... have fun with your pets throughout the entire training process!

Schedule: Start by training your dog for 10 to 15 minutes at a time. This will help him ease into the new situation. If he shows signs of stress, feel free to slow down the training schedule.

Your pets must be completely comfortable near the Boundary Flags at the end of each

training session. One way to accomplish this is by spending at least 5 minutes of playtime at the end of each training session near the boundary. Finish each training session on a positive note with lots of praise and play.

Remove the Receiver Collar after each training session, and don't forget to remove the Receiver Collar if you ever need to take your pet out of the pet area during training. Here are additional steps and topics to cover during training.

Boundary Flag Awareness: Train your dog to learn that the Boundary Flags and warning vibration from the Receiver Collar is what defines the Pet Area.



Stay in the Pet Area: Train your dog to stay within the Pet Area. Help your dog notice that if your dog passes into the Static Correction



Zone, he will receive a shock stimulation.

Free walk your dog without the Receiver Collar in the defined 'Safe Pet Area.' Once your pet learns where the Static Correction Zone is located, try removing the collar and see how your dog responds near the boundary

Dog Pass Through Fence System Mode

Our *DF213 Fence System* allows you to set up safe mode, allowing your dog to pass through the fence without any shock corrections. See below for details.

I. To Enter Safe Mode: Press the Vibration Button “” and Beep Button “” on the Remote Trainer at the same time. The Receiver Collar flash 1 time per 1 second. Your dog can now safely pass through the fence boundary wire without any shock corrections.

II. To Exit Safe mode: Press the Vibration Button “” and Beep Button “” on the Remote Trainer at the same time again.

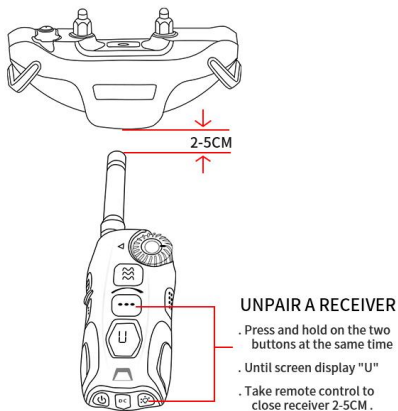
The Receiver Collar will flash 1 time per 5 seconds and return to normal shock correction mode.

Setting Up Multi-Dog System


Our *DF213 Fence System With Remote Trainer (For selected kits only)* you are able to expand your system into a multi-dog Remote Trainer by simply purchasing extra Receiver Collars and adding them to your system.



To add multiple collars to your system, you must first **unpair your newly purchased collars**, as they were matched to another transmitter in the factory during testing. Once the collars are unmatched, then you will be able to match them to the required position 1, or 2 on your original transmitter. Please follow the instructions below to proceed with this process.

First we will cover how to **unmatch a collar**.



Step 1: Pick up the matched receiver. Press and hold the “ON/OFF” button. After two “beep” sounds, the receiver’s power is on. The green LED will flash 1 time per 5 seconds.

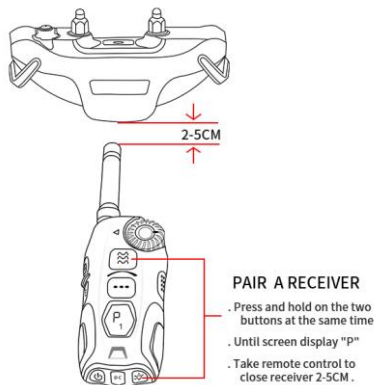
Step 2: Press and hold “” button on the transmitter until the LED display occurs then release, the transmitter power is on.

Step 3: Press and hold the **Beep button**  and **Highlight Led button**  at the same time, until the LED display is “U” .
Not to release the two buttons.


Step 4: Hold the transmitter next to the receive collar 1 to 2 inches away. You can listen for the 5 “beep” sounds from the receiver. The green LED light of the receiver should now be flashing frequently. Congratulations, you have cancelled the matched receiver successfully.

If the collar didn't cancel the match, please repeat the step 3 to step 4 . Try to close to the collar from different direction and more close.



Now let's cover how to **pair a collar** to your system.



Step 1 : Take the receiver you wish to match and press and hold the “ON/OFF” button. After two “beeps”, the receiver is powered on and you will notice the green LED flashing frequently. (**Note: never turn on 2 or more unmatched receivers.**)

Step 2 : Press and hold the “” button on the transmitter until the LED display

screen comes on. Release the button, and now the transmitter is power on. If you want to match the 1st dog , please choose first dog ,The LED display “1” If you want to match the 2nd dog , please choose the second dog , the LED display “2”

Step 3 : Press and hold the **Vibration button**  and **Highlight Led button**  at the same time .until The LED display is “P” . Not to release the two buttons.

Step 4 : Hold the transmitter close to the unmatched receiver 1 to 2inches away. After hearing 5 “beeps” sound from the receiver and you see the green LED flashing slow down to once every 5 seconds, you release the button. It should connect pretty fast.

Step 5 : Test matched Receiver

Press Vibration button, Beep button to test the reaction of receiver collar.

Press stimulation button to test receiver by Test Light

1. Insert the contact points into the Test Light.
2. Press a stimulation button on the remote transmitter.
3. The Test Light will flash.
4. Turn the collar receiver off.
5. Save the Test Light for future testing.

Note: If the Test Light does not flash, recharge the battery and re-test.

If you need, you can also put it on the lowest setting and test on the back of your hand/arm for confirmation if you're still unsure.

Setting the stimulation level

1. Select suitable shock level for remote dog training

Your remote trainer has 99 levels of intensity, so you can find the best level for your dog's temperament and the type of training. You may also select either vibration or shock stimulation, depending on your dog's temperament and your training purpose.

You may rotate the **shock level switch** to select suitable shock level, Or press the **Vibration button** for up to 8 seconds continuous vibration depending on how long you hold the button for, or press **Continuous shock button** for shock stimulation for up to 8 seconds depending on how long you hold the button for or press **Momentary shock button** for momentary shock

Press and **hold on** the **shock level switch** one second to lock the suitable shock level

2. Choose proper shock level for fence function




- 1) Rotate the **shock level switch** to select suitable shock level.
- 2) Then press **Continuous shock button** or **Momentary shock button** confirm the receive collar receive the signal from Transmitter and emit at least one shock . The receive collar will keep this shock level for fence function.
- 3) If you want to change the fence function shock level . Please repeat above 1) and 2) to set new shock level.
- 4) If you don' t set fence function shock level ,the shock level will be same as the final emitting static shock of the receive collar.


Booster Level Setup


To setup booster level ,following the below steps:

STEP 1: Turn on the remote control then turn

the **Shock Adjust&Lock Switch** clockwise, change the shock level to “0” .

STEP 2: Press and hold on **Momentary shock button** and **Highlight Led button**  at the same time, release when the remote control shock level flashing .

STEP 3: Turn the **Shock Adjust&Lock Switch** anticlockwise to change the booster level. 
(The range of booster level is from 0 to 95, default is 0)

STEP 4: Press and hold on the **Shock Adjust&Lock Switch** one second to confirm the booster level . The shock level stop flashing , Setup booster level **successfully**.

Operate High Light LED

Your remote trainer has 2 colors(white, red) of high light LED. You can find out your pets from 200-300 meter away in dark night without remote control.

To get highlight flash in dark night , you must match the receive collar to

transmitter first .

Press **Highlight Led button** of Transmitter one time , the receive collar will highlight flash 1 time per 3 seconds continuously.

Press **Highlight Led button** again ,The highlight LED will be on , Then Press **Highlight Led button** again ,The highlight LED will be off .

You match different dog receive collar , you can get different high light flash .

The 1st dog receive collar is White highlight Led;

The 2nd dog receive collar is Red highlight Led

Switch Single Mode and Dual Mode

The receiver collar is designed to have remote control function and fence function both .

To expand the stand-by time , here is 2 modes for receive collar :

Single mode: Fence function only , Green led flash 2 times per 5 seconds

Dual mode: Fence function and remote

function both, Green led flash 1 time per 5 seconds

It is strongly recommended only to use **Dual Mode** when you are using the collar for both pet containment and remote training purposes simultaneously.

When the system is being used for containment purposes only, it is strongly recommended to switch the collar to **Single Mode** only to substantially increase the battery life of the collar.

To switch on/off the **Single Mode** and **Dual mode** do the following:

1) Press and hold on 2 seconds when receive collar is on , the Red LED light on then release at once . The green LED will flash 2 times of 5 seconds. The fence function is on, the remote function is off. It is **Single mode** now .

2) Press and hold on 2 seconds again, the Red LED light on then release at once . The green LED will flash 1 time of 5 seconds. The fence function and remote function are both

on .Now it is **Dual mode** .

Battery operating times can vary and are dependent on usage and estimated as follows:-

Dual Mode: 75-80 Hours

Single Mode 10-12 Days

Charging

Do not charge batteries in hot areas or too cold areas, keep far away from fire.

The temperature of environment must be higher than 0°C when charging. The ideal charging temperature is between 10-45°C

1. Lift the rubber cover protecting the DC Charging Jack.
2. Connect the corresponding charge connector to the DC Charging Jack.
3. Plug the USB Adaptor into a power source.
4. Charge the Remote Transmitter for 2 hours for the first charge and every charge thereafter.

Using Li-Ion technology, the Transmitter

and receiver only requires a 2 hour charge. It is not harmful to let the unit charge for more than 2 hours.

1. Receiver collar charging

The Red LED Light Flashing=Lower Power

The Red LED light is on=Charging

The Green LED light is on= Full Charged
(Charger still connected)

2. Transmitter Charging

The Red LED Light Flashing=Lower Power

The Red LED light is on=Charging

The Green LED light is on= Full Charged
(Charger still connected)

**NOTE: IF THE RECEIVER AND
TRANSMITTER DOESN'T TURN ON PLEASE
CONTACT US FOR A NEW BATTERY OR
CHARGER.**

Troubleshooting Guide

**Problem#1: No stimulation when Remote
Trainer button is pressed.**

- The Receiver Collar has not been activated. Remember that the Receiver Collar must be turned on before use.
- The Receiver Collar has not been set to your Remote Trainer. Follow the instruction above for directions.
- The batteries in either the Receiver Collar or the Remote Trainer are dead. Recharge or replace, as needed.

Problem#2: The Beeper on Receiver Collar doesn't make any sound when the power switch is turned on.

- The battery in the Receiver Collar has run down. Recharge it as needed for Min 2 hours.

Problem#3: The stimulation doesn't seem to be working very well.

- The Receiver Collar is not tight enough.

Check to make sure the contact points are in constant contact with your dog's skin.

- The batteries are dead. Replace or recharge as needed.

Problem#4: The Receiver Collar light changes Colour to indicate low charge very quickly.

- The unit has been left turned on between training sessions. Make sure the receiver is turned off after each use.
- You are training in very cold weather. Move to Hawaii. 😊

Problem#5: The Remote Trainer doesn't have range, or the range is significantly reduced.

- Your dog may be shielded by a metal

structure.

- For best range, position the Receiver Collar so that the light face toward the dog's nose.
- Radio Interference. Wait a short while then try again, or move to another area.

Problem#6: The Receiver Collar doesn't appear to be receiving any signal or doesn't work at all.

- Check the Receiver Collar on/off button, make sure the Receiver Collar is turned on.
- Check the Remote Trainer battery, it's power may be low.
- Recharge the Remote Trainer or charge the Receiver Collar if needed.

Problem#7: The Receiver Collar has to

literally be held on the top of Boundary Wire for it to activate.

- The batteries have may have run down. Make sure the batteries are well charged.
- Adjust the Boundary Control Switch knob clockwise to increase the Boundary width.

Problem#8: I have an inconsistent signal for the Receiver Collar.

- Make sure the Fence Transmitter is at least three feet from large metal objects or appliances.
- Make sure all Boundary Wire turns are gradual.
- Make sure the Boundary Wire is not running parallel to and within five feet of electrical wires, neighboring

containment systems, telephone wires, television or antenna cables, or satellite dishes. Add Resistor unit as described in manual to solve/help with interference issues.

Problem#9: The Power Light and the Loop Indicator Lights are off.

- Make sure the both ends of the Boundary Wire are plugged into the Fence Transmitter Boundary Wire Terminals.
- Perform a Test. Use a short section of Boundary Wire to plug into both Fence Transmitter Boundary Wire Terminals. If the lights turn on, this means you have a break in your perimeter of boundary wire, if the lights still do not glow, you may have a faulty Fence Transmitter. Please Contact us.

Problem#10: The remote control and receive collar can not be charged.

- Make sure the remote control & receiver is charged with correct Adaptor under suitable temperature.
- If the voltage of DC Adaptor is more than 6V or room temperature is less than zero degree centigrade , The green led is on at once, can not charge remote control & receive collar.

