



Operating Guide
Manuel d'utilisation
Gebruiksaanwijzing
Manual de funcionamiento
Guida all'uso
Gebrauchsanweisung

MINI-CA-17
MINI-UK-17
MINI-EU-45

Mini Pet Fountain - 1.2 Litres

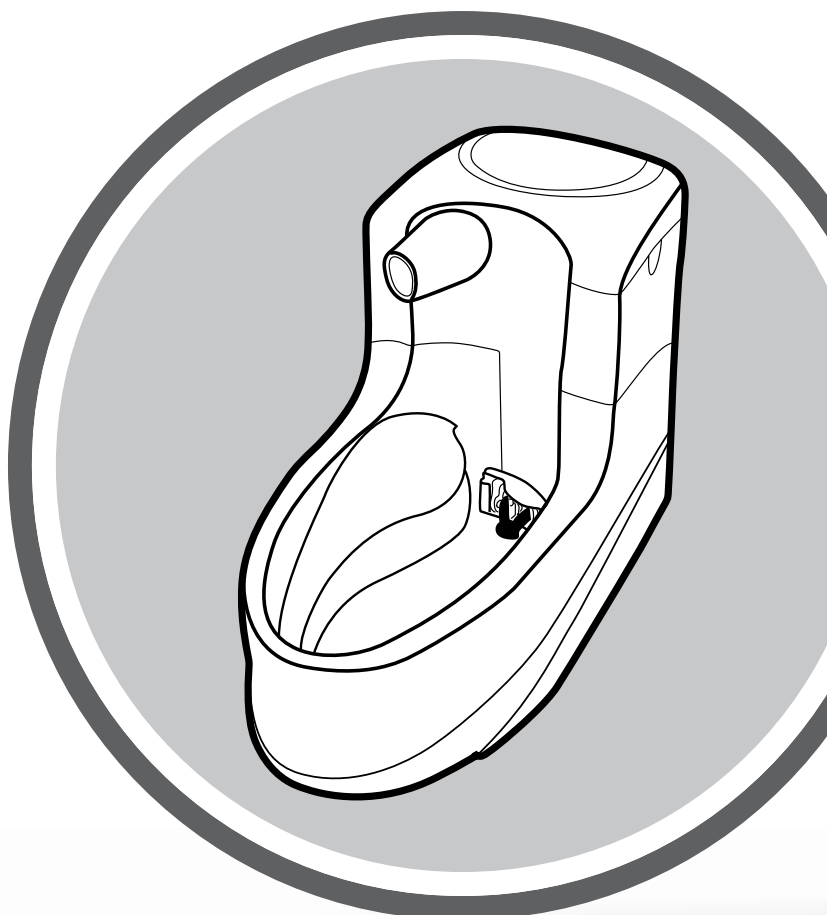
Fontaine pour animaux de compagnie Mini - 1,2 litres

Mini drinkfontein - 1,2 liters

Fuente para mascotas Mini - 1,2 litros

Fontana per animali domestici Mini - 1,2 litri

Trinkbrunnen Mini - 1,2 Liter



protect. teach. love.™

Please read this entire guide before beginning
Veuillez lire ce manuel en entier avant de commencer
Gelieve deze gids volledig door te lezen voordat u begint
Por favor, lea detenidamente este manual antes de empezar
Leggere attentamente la guida all'uso prima di utilizzare

Bitte lesen Sie die ganze Gebrauchsanleitung aufmerksam durch, ehe Sie beginnen

Hereinafter Radio Systems Corporation, Radio Systems PetSafe Europe Ltd., Radio Systems Australia Pty Ltd. and any other affiliate or Brand of Radio Systems Corporation may be referred to collectively as "We" or "Us".

IMPORTANT SAFETY INFORMATION

Explanation of Attention Words and Symbols used in this guide



This is the safety alert symbol. It is used to alert you to potential personal injury hazards. Obey all safety messages that follow this symbol to avoid possible injury or death.

⚠ WARNING

WARNING indicates a hazardous situation which, if not avoided, could result in death or serious injury.

CAUTION

CAUTION, used without the safety alert symbol, indicates a hazardous situation which, if not avoided, could result in harm to your pet.

NOTICE

NOTICE is used to address safe use practices not related to personal injury.

⚠ WARNING

When using electrical appliances, basic safety precautions should always be followed to reduce the risk of fire, electric shock and/or injury to persons, including the following:

- To reduce the risk of injury, close supervision is necessary when an appliance is used by or near children.
- To protect against electric shock, do not place electrical Power Cord or plug in water or other liquids.
- Do not use outdoors. FOR INDOOR HOUSEHOLD USE ONLY.
- Do not pull on the electrical Power Cord to remove the plug from the electrical outlet. To unplug, grasp the plug, not the electrical Power Cord.
- Do not operate any appliance if it has a damaged electrical Power Cord or plug, or if it is malfunctioning or has been damaged. Call Customer Care Centre immediately for further instructions.
- For a portable appliance - To reduce the risk of electric shock, do not place or store an appliance where it can fall or be pulled into a bath tub or sink.
- Always unplug any appliance when not in use, before putting on or taking off parts and before cleaning.
- Do not use an appliance for anything other than its intended use.
- If the plug of this device gets wet, turn off the electricity to that electrical outlet. Do not attempt to unplug.
- Examine this appliance after installation. Do not plug into electrical outlet if there is water on the electrical Power Cord or plug.

CAUTION

- Do not allow pets to chew on or swallow any parts. If you are concerned about the electrical Power Cord, purchase a cord conduit (a hard plastic protector) at any hardware store.
- The plastic Pet Fountain parts are BPA-FREE. However, some animals have been known to be sensitive to plastic food and water containers. If your animal shows signs of an allergic reaction to the plastic, please discontinue use until you have consulted with your veterinarian.

NOTICE

- The Pet Fountain is intended to run continuously (always plugged into an electrical outlet), as long as the water level is maintained and the Pet Fountain is cleaned regularly. Be sure to check the Pet Fountain regularly to help prevent damage to the Pump, as the water may get consumed or evaporate causing the Pump to run dry.
- Do not attempt repairs on the Pump.
- To avoid the possibility of the plug or electrical outlet getting wet, the electrical outlet should always be above the level of the Pet Fountain.
- If an extension cord is necessary, an extension cord with a proper rating should be used.
- The electrical use of this appliance is 2.5 watts.
- The use of attachments not recommended or sold by the manufacturer may cause an unsafe condition. Do not modify the appliance.
- Do not install or store appliance where it will be exposed to weather or temperatures below 4.5° C.
- Read and observe all important notices listed on the appliance and in the packaging.
- Never wash the filters with soapy water, as the soap residue will seep into the filters and cannot be removed. Only rinse the filters with water.
- Use only PetSafe® brand authorised replacement filters. If unauthorised filters are used it may void the warranty.

SAVE THESE INSTRUCTIONS

EN

FR

NL

ES

IT

DE

EN

Thank you for choosing the PetSafe® Brand. You and your pet deserve a companionship that includes memorable moments and a shared understanding together. Our products and training tools enhance the relationship between pets and their owners. **If you have any questions about our products or training your pet, please visit our website at www.petsafe.net or contact our Customer Care Centre. For a listing of Customer Care Centre telephone numbers, visit our website at www.petsafe.net.**

FR

NL

ES

To get the most protection out of your warranty, please register your product within 30 days at www.petsafe.net. By registering and keeping your receipt, you will enjoy the product's full warranty and should you ever need to call the Customer Care Centre, we will be able to help you faster. Most importantly, your valuable information will never be given or sold to anyone. Complete warranty information is available online at www.petsafe.net.

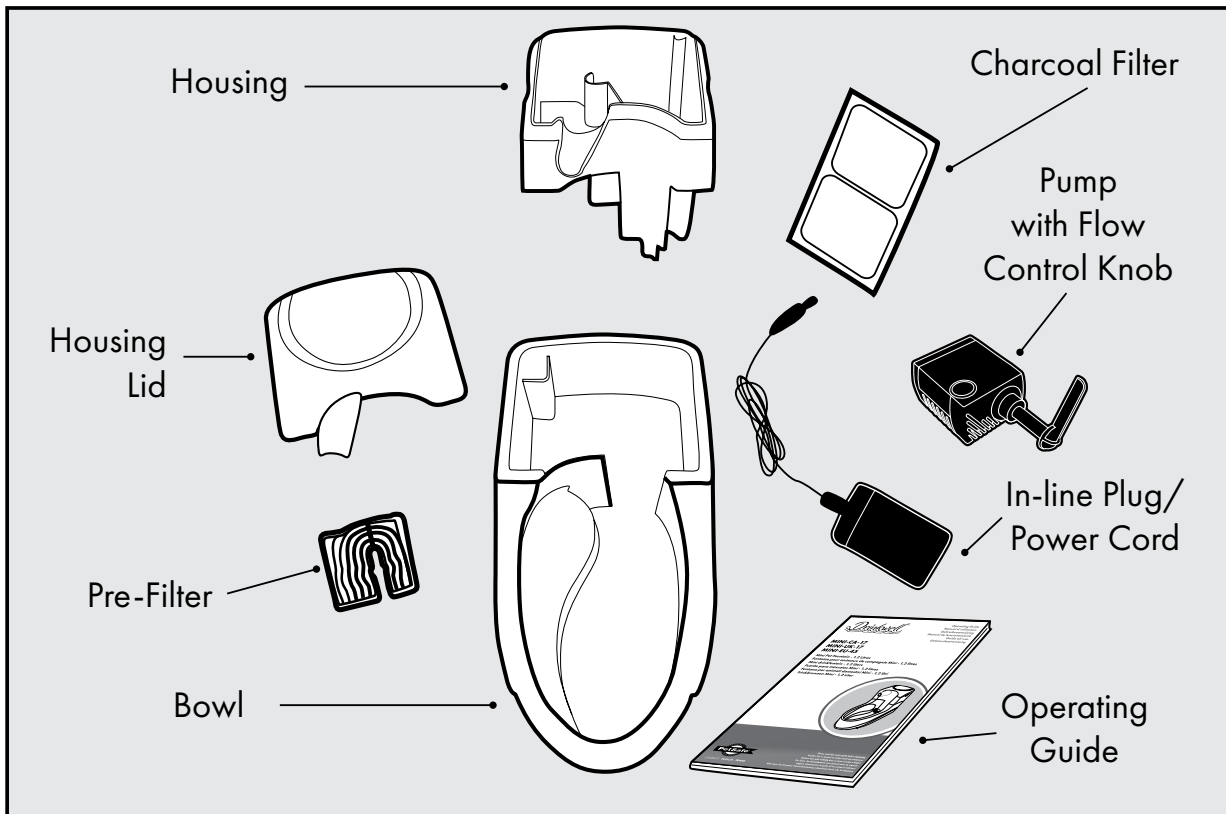
IT

DE

Table of Contents

Components	5
Features	5
Key Definitions	6
Operating Instructions	7
Pet Fountain Disassembly & Cleaning	8
Pump Maintenance	9
Pet Fountain Reassembly	10
The Pet Fountain and Your Environment	11
General Tips	12
Troubleshooting	12
Warranty	13
Compliance	14
Important Recycling Advice	15
Terms of Use and Limitation of Liability	15

Components



EN

FR

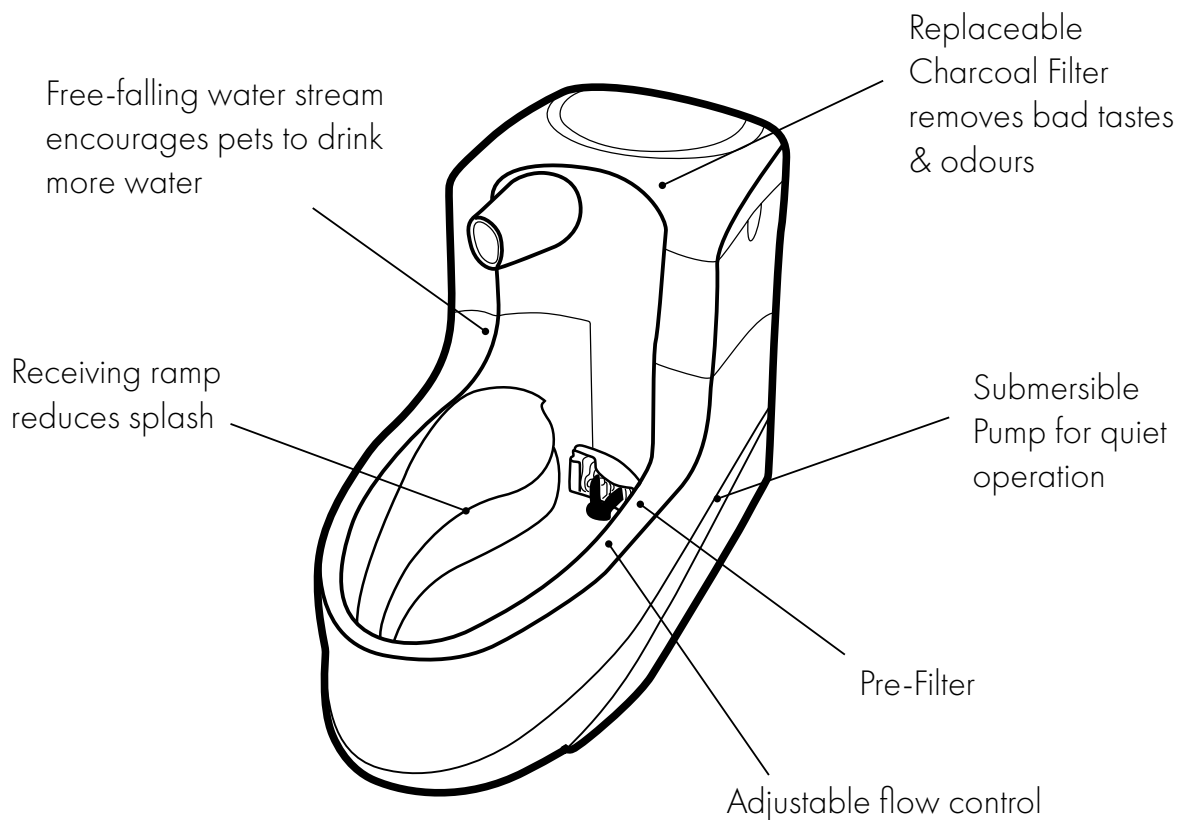
NL

ES

IT

DE

Features



1.2 L Water Capacity

Low-Voltage (12V) System

Key Definitions

Housing: Water is pumped up through the Housing to cycle through the Charcoal Filter and out the spout to create a waterfall into the Bowl.

Housing Lid: The Housing Lid snaps in place over the Housing, keeping pets out of the Charcoal Filter.

Charcoal Filter: The 3-layer Charcoal Filter is made with granulated carbon derived from coconut shells. The Charcoal Filter absorbs bad tastes and odours as the water passes through and helps keep the water tasting fresh and more appealing to pets.

Bowl: The Bowl is the foundation of the Pet Fountain. It houses the Pump and has a Power Cord "Pass-through" to hide the electrical Power Cord from view.

Pre-Filter: The small intake grate that catches large particles such as hair, debris and kibble before they reach the Charcoal Filter.

Flow Control Knob: The black knob attaches to the Faceplate and adjusts the rate of water flow. The Flow Control Knob can be removed by taking apart the Pump (See "Pump Maintenance" section for detailed instructions).

Pump: The small submersible aquarium Pump can be dismantled for cleaning. THE PUMP IS NOT DISHWASHER SAFE! Remove Pump from Pet Fountain before cleaning (see "Pump Maintenance" section for detailed instructions). The Pump also features a removable In-Line Plug for easy attachment and removal.

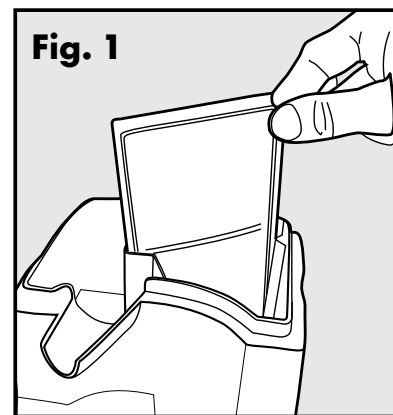
Operating Instructions

Important: DO NOT RUN DRY - FOR INDOOR USE ONLY. Pet Fountain will come fully assembled and ready for use.

Note: Rinse all fountain parts with warm water before operating the pet fountain. This will remove any dust or residue that remain in the system from the manufacturing process.

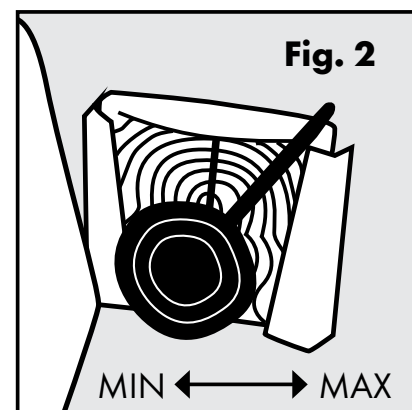
1. Carefully remove all the Pet Fountain components from the packaging and set aside prior to assembly.
2. As with any electrical device, check the electrical Power Cord for any tears or damage before use.
3. Make sure the In-Line Plug is fully connected. When connected properly the silver tip is not showing.
4. Remove the Housing Lid by placing your index fingers into the inset grooves on either side of the Housing Lid. Lift up. Set the Housing Lid aside.

5. Insert the Charcoal Filter into the Housing. The Charcoal Filter will fit into the two triangular slots located on the right side of the Housing. The Charcoal Filter fits narrow side down and the white side faces the front of the Pet Fountain (**Fig. 1**). The Charcoal Filter will slide easily into place, but make sure it is pushed all the way down.



Important: Rinse the Charcoal Filter thoroughly under cool water before placing in the Pet Fountain. This will remove any loose charcoal dust, which is harmless. A small amount of charcoal dust may be released for the life of the Charcoal Filter. This is normal and not harmful to your pet.

6. Fill the Pet Fountain with water. This includes the Bowl and the Housing. This will prime the Pump.
7. Replace the Housing Lid and snap it into place.
8. Place Pet Fountain in desired location. Do not pick up a full Pet Fountain by the Housing. **Important:** To protect your floor always use a protective mat such as a towel or water-resistant placemat. This will help protect your floor from splashing or spills caused by your pet.
9. Before you plug in the Pet Fountain, make sure the electrical Power Cord, the plug and your hands are dry. Plug the Pet Fountain into a standard electrical wall outlet.
10. Set the desired flow rate with the Flow Control Knob, which is located to the right of the receiving ramp. When the Flow Control Knob is in the 10 o'clock position, flow is at its lowest. When the Flow Control Knob is in the 2 o'clock position, flow is at its highest (**Fig. 2**).
11. Add water as needed to the Bowl and Reservoir. Do not let the water level fall lower than the Flow Control Knob or you may risk Pump failure. Replacement Pumps are sold separately by contacting the Customer Care Centre. Visit www.petsafe.net for a telephone listing of the Customer Care Centre near you.



Pet Fountain Disassembly & Cleaning

Important: Pet Fountain must be cleaned to continue working normally.

CHARCOAL FILTER: The Charcoal Filter should be changed every two to four weeks.

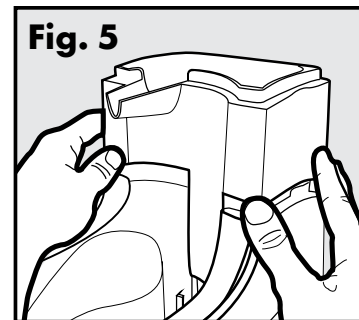
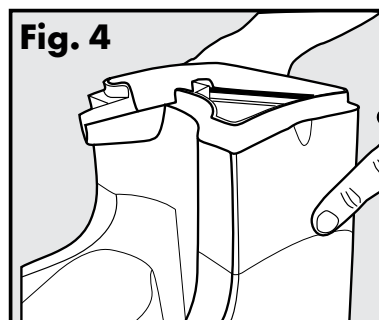
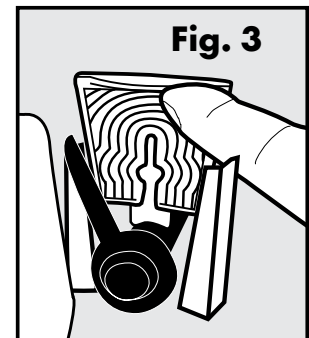
1. Replace Charcoal Filter more frequently when using the Pet Fountain for multiple pets or pets that produce a lot of saliva.
2. The Charcoal Filter is an added feature of the Pet Fountain. The use of a filter is not required for normal operation, but using a filter will keep the Pet Fountain water cleaner.
3. The Charcoal Filter may be rinsed out when the Pet Fountain is cleaned. Do not wash with soapy water, as you will not be able to remove the soap residue.

NOTICE

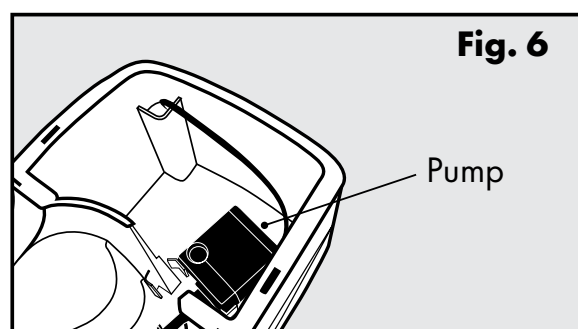
- Never wash the filters with soapy water, as the soap residue will seep into the filters and cannot be removed. Only rinse the filters with water.
- Use only PetSafe® brand authorised replacement filters. If unauthorised filters are used it may void the warranty.

PET FOUNTAIN: Clean the Pet Fountain once a week.

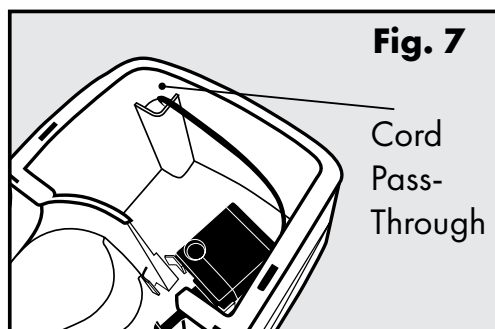
1. Unplug the Pet Fountain and disconnect the In-Line Plug.
2. Remove Housing lid and the Charcoal Filter.
3. Empty the water out of the Pet Fountain.
4. Remove the Pre-Filter by gently pulling up on the top lip of the Pre-Filter and wash with soap and water (**Fig. 3**).
5. Remove the Housing by gently pushing in on either side of the Pet Fountain where the curve meets the seam. Gently lift up (**Fig. 4 & 5**). You will notice the right side of the Housing will offer some resistance as the water Intake Tube pulls away from the Pump.



6. Remove the Pump from its cavity by placing your index finger behind Pump and gripping the bottom with your thumb (**Fig. 6**).



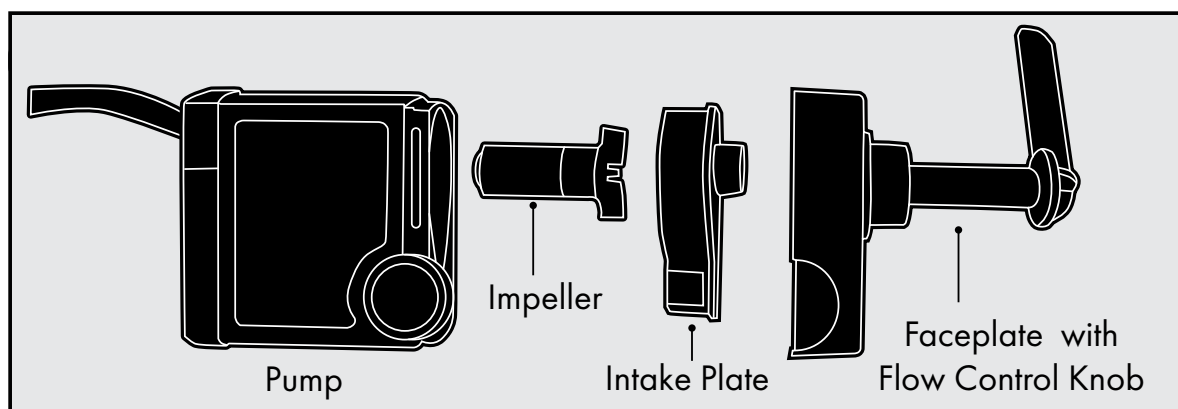
7. Lift the Pump straight up – this may require slight force until the suction cups release.
8. Pull the In-Line Plug up through the Cord Pass-Through located to the left of the Pump (**Fig. 7**).



9. Once the Pet Fountain is completely disassembled you will have 4 plastic parts.
10. Clean the Pet Fountain plastic parts with warm water and soap. You can also put the Pet Fountain in the top rack of the dishwasher. Remove the pump before placing the Pet Fountain in the dishwasher. NEVER PLACE PUMP IN DISHWASHER! If possible, it is recommended that you turn down the heat of the water inside the dishwasher. The Pet Fountain may also be cleaned with a diluted vinegar solution (20% white vinegar and 80% water). Be sure to rinse thoroughly with fresh water.
11. If you have trouble reaching certain spots or getting hard-to-reach corners, try using a cotton swab or purchase a Drinkwell® Cleaning Kit, a 3-piece Brush Kit. To purchase a Cleaning Kit, visit our website at www.petsafe.net to locate a retailer near you or to find a listing of Customer Care Centre telephone numbers for your area.

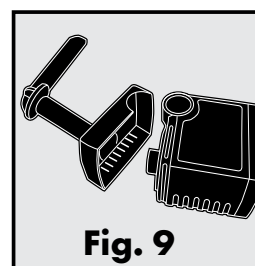
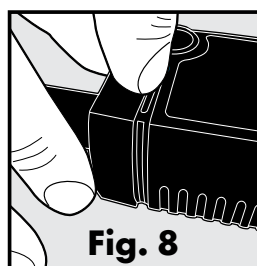
Pump Maintenance

Important: Cleaning the Pump is essential to the longevity of the Pet Fountain, as well as the cleanliness of the water. Clean the Pump every two weeks. Warranty may be voided if the Pump's motor is not cleaned.

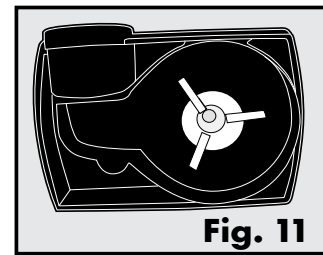
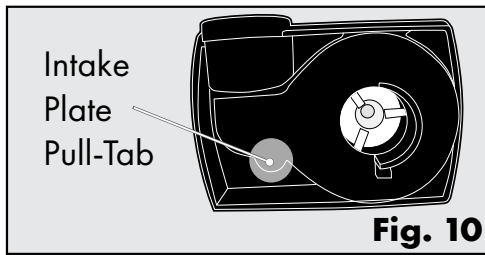


1. Remove the Pre-Filter and Housing from the Bowl.
2. Remove the Pump from the Pet Fountain as explained in the "Pet Fountain Disassembly and Cleaning" section.

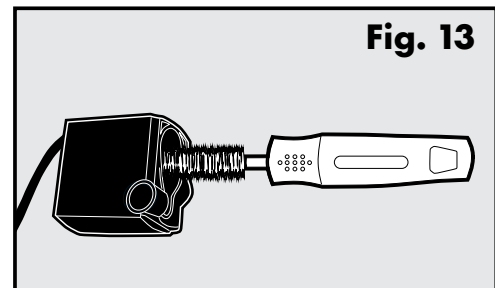
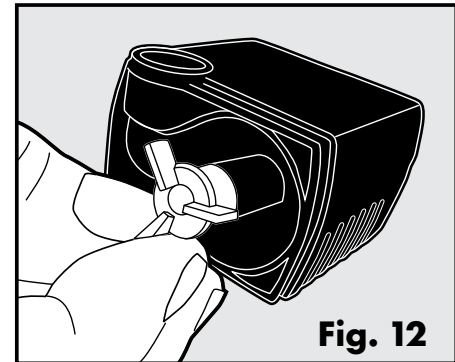
3. Once the Pump is out of the Pet Fountain, with your thumb and forefinger, gently squeeze on either side of the Faceplate, and pull it off. It may be necessary to insert a fingernail into the seam of the Faceplate to pry it off (**Fig. 8-9**).



- Remove the Intake Plate by placing your fingernail underneath the small lip located on the narrow side of the teardrop-shaped Intake Plate Pull-Tab and pull it out (**Fig. 10-11**).



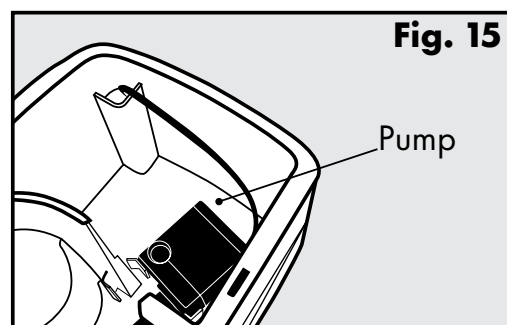
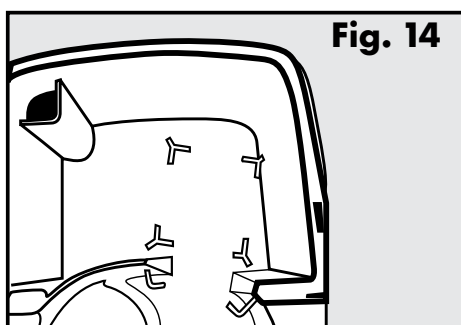
- Once the Intake Plate is removed, you can also remove the Impeller (white, 3-bladed propeller) which is held in place magnetically. To remove the Impeller, use a fingernail to get underneath a blade and lift out (**Fig. 12**).
- Once the Pump is disassembled you can clean the parts with warm water and soap. Use a cotton swab or the "motor" brush from the Drinkwell® Cleaning Kit to get into the Pump's motor cavity and remove any build-up (**Fig. 13**). For added disinfecting and hard water removal, clean the Pump with a diluted vinegar solution (20% white vinegar and 80% water).
- Once the parts are clean you can reassemble the Pump for use.



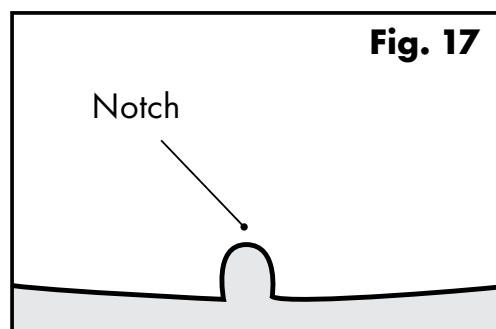
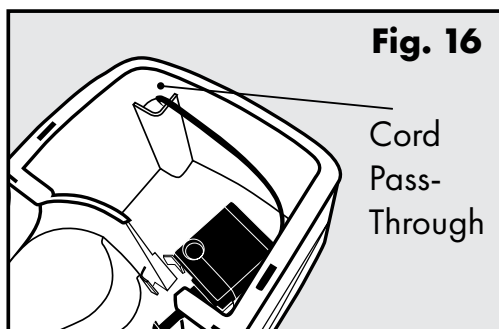
- Replace the Impeller.
- Replace the Intake Plate.
- Replace the Faceplate with the Flow Control Knob.

Pet Fountain Reassembly

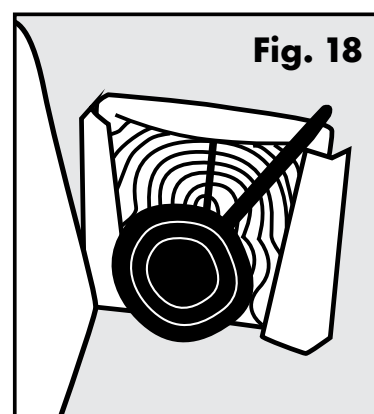
- Replace the Pump into its location between the four posts on the right side of the Pet Fountain Bowl. Gently push down on Pump to engage the suction cups (**Fig. 14 & 15**).



- Thread the In-Line Plug through the Cord Pass-Through in the back left corner of the Bowl (**Fig. 16**). To insure the Pet Fountain bowl is stable, run the electrical Power Cord along the back of the Pet Fountain and through the notch in the base of the Bowl (**Fig. 17**).



- To attach the Housing, align the Housing over the Pump and then the Bowl. Line up the Intake Tube to fit directly into the Pump. Once in place, gently push down on the Housing, locking it into place.
- Replace the Pre-Filter over the Flow Control Knob by sliding the narrow end in first. The lip on the top of the Pre-Filter will be facing the front of the Pet Fountain, push down to snap it into place over the Flow Control Knob (**Fig. 18**).



- Replace the Charcoal Filter with the white side facing the front of the Pet Fountain towards the spout.
- Fill the Bowl and Housing with water and replace the Housing Lid.
- Before you plug in the Pet Fountain, make sure the electrical Power Cord, the plug and your hands are dry. Plug the Pet Fountain into a standard electrical wall outlet.
- Set the desired water flow rate with the Flow Control Knob, which is located to the right of the receiving ramp. When the Flow Control Knob is in the 10 o'clock position, flow is at its lowest. When the Flow Control Knob is in the 2 o'clock position, flow is at its highest.

The Pet Fountain and Your Environment

If you live in a humid environment and have problems with mold or algae, soak all Pet Fountain parts in a diluted vinegar solution (20% white vinegar and 80% water) for 10 minutes after regular cleaning. Also, pour the diluted vinegar solution into the Pump's motor cavity.

If you have hard water, small white mineral deposits may form on or inside the Pump. This can eventually prevent the Impeller from turning properly. To avoid replacement or damage to the Pump, please take the following precautions:

- Clean the Pump more frequently.
- Clean the Pump with a diluted vinegar solution weekly.
- Use bottled water instead of tap water.

General Tips

- When being introduced to the Pet Fountain, your pet may be cautious of this new and unusual object. After beginning operation of your Pet Fountain, simply allow your pet to adjust at his or her own pace. Some pets may take several days or longer to begin use, while others will start right away.
- Your pet may prefer that the Pet Fountain be placed away from their normal feeding area. Try placing it in another location, such as a different area of the kitchen or in a bathroom or utility room.
- Add ice cubes to the bowl for refreshing, ice-cold running water!

Troubleshooting

The answers to these questions should help you solve most problems you may have with the Pet Fountain. If they do not, please contact our Customer Care Centre.

TROUBLESHOOTING	
PROBLEM	SOLUTION
Pump is not working or the water is not flowing as much as it used to.	<ul style="list-style-type: none"> • Never let the water in the bowl get below the minimum fill level. This can cause the pump to overheat and stop functioning. • When refilling the bowl, make sure to add water before turning the pet fountain on. • Lack of regular cleaning may result in the pump becoming clogged with pet hair and food debris. The pump must be cleaned every 2-4 weeks to ensure proper function. • Fill the pet fountain with water up to the max fill line.
Pet Fountain is loud.	<ul style="list-style-type: none"> • A low humming noise is normal, but it should not be loud. Check the water level. If water level is too low then the pump will have to work harder causing it to be louder than normal. • Unplug the pet fountain for 15 seconds. If the noise does not stop when plugged back in, it's possible that some debris is caught on the impeller. Remove the pump and clean the impeller. Try rubbing a small amount of vegetable oil onto the magnetic pin with a cotton swab to lubricate the impeller.
There are black particles in the bowl.	<ul style="list-style-type: none"> • This is loose granulated charcoal dust from the filter and is completely harmless for your pet to drink. Rinse the charcoal filter in cold water before placing it in the pet fountain to prevent this.

The pet fountain feels slimy.	<ul style="list-style-type: none"> • If you have multiple pets or dogs using the pet fountain, the slimy feeling may be caused by your pet's saliva. Change the water and clean your fountain more frequently to prevent this. • Make sure the pet fountain parts are rinsed thoroughly after cleaning the fountain. Soap residue may cause the sliminess.
The power adaptor is warm to the touch.	<ul style="list-style-type: none"> • Unplug the pet fountain and plug it into a surge protector.
The pet fountain is leaking.	<ul style="list-style-type: none"> • Sometimes water around the pet fountain is caused by pets drinking. Some pets are prone to spilling. Watch your pet when he drinks to see if this is the cause. If it is, you can purchase a pet fountain mat or other water-resistant mat to place under the pet fountain.
The pet fountain seems dirty even after cleaning.	<ul style="list-style-type: none"> • If there is a white chalky substance in the pet fountain, your fountain may have a mineral deposit build-up from hard water. To remove these deposits, clean the fountain parts with a 80% water and 20% vinegar solution. Rinse all parts thoroughly afterwards. Use filtered or purified water instead of hard tap water to prevent this.

Warranty

Two Year Non-Transferrable Limited Warranty

This Product has the benefit of a limited manufacturer's warranty. Complete details of the warranty applicable to this Product and its terms can be found at www.petsafe.net and/or are available by contacting your local Customer Care Centre.

Europe – Radio Systems PetSafe Europe Ltd., 2nd Floor, Elgee Building, Market Square, Dundalk, Co. Louth, Ireland

Canada – Radio Systems Corporation, 10427 PetSafe Way, Knoxville, TN 37932 USA

Australia/New Zealand – In compliance with the Australian Consumer Law, Warranties Against Defects, effective January 1, 2012, warranty details of this Product are as follows: Radio Systems Australia Pty Ltd. (hereinafter referred to as "Radio Systems") warrants to the original retail purchaser, and not any other purchaser or subsequent owner, that its Product, when subject to normal and proper residential use, will be free from defects in material or workmanship for a period of two (2) years from the purchase date. An "original retail consumer purchaser" is a person or entity who originally purchases the Product, or a gift recipient of a new Product that is unopened and in its original packaging. When serviced by Radio Systems Customer Service, Radio Systems covers labour and parts for the first two years of ownership; after the first two years, a service or upgrade charge will apply relative to replacement of the Product with new or

refurbished items at Radio Systems' sole discretion.

The limited warranty is non-transferrable and shall automatically terminate if the original retail consumer purchaser resells the Radio Systems Product or transfers the property on which the Radio Systems Product is installed. This Limited Warranty excludes accidental damage due to dog chews; lightning damage; or neglect, alteration, and misuse.

Consumers who purchase products outside of Australia, New Zealand, or from an unauthorised dealer will need to return the Product to the original place of purchase for any warranty issues.

Please note that Radio Systems does not provide refunds, replacements, or upgrades for change of mind, or for any other reason outside of these Warranty terms.

Claims Procedure: Any claim made under this Warranty should be made directly to Radio Systems Australia Pty Ltd. Customer Care Centre at:

Radio Systems Australia Pty Ltd.

PO Box 7266, Gold Coast Mail Centre QLD 9726, Australia

Australia Residents: 1800 786 608

New Zealand Residents: 0800 543 054

Email: info@petsafeaustralia.com.au

To file a claim, a proof of purchase must be provided. Without a proof of purchase, Radio Systems will not repair or replace faulty components. Radio Systems requests the Consumer to contact the Radio Systems Customer Care Centre to obtain a Warranty Return number, prior to sending the Product. Failure to do so may delay in the repair or replacement of the Product.

If the Product is deemed to be faulty within 30 days from date of original purchase, Radio Systems will organise for a replacement to be sent in advance of returning the faulty Product. A Post Bag will be included with the replacement Product for the return of the faulty Product. The Product must be returned within 7 days of receiving the replacement. If the Product is deemed to be faulty after 30 days from the date of original purchase, the consumer will be required to return the Product to Radio Systems at the consumer's own expense. Radio Systems will test and replace the faulty unit or its components and return to the consumer free of charge, provided the Product is within its said warranty period. This warranty is in addition to other rights and remedies available to you under the law. Radio Systems goods come with guarantees that cannot be excluded under the Australia Consumer Law. You are entitled to a replacement or refund for a major failure and for compensation for any other reasonably foreseeable loss or damage. You are also entitled to have the goods repaired or replaced if the goods fail to be of acceptable quality and the failure does not amount to a major failure.

Should you have any queries or require any further information, please contact our Customer Care Centre on 1800 786 608 (Australia) or 0800 543 054 (New Zealand).

Compliance

CE

This equipment complies with the EMC and Low Voltage Directives. Unauthorised changes or modifications to the product that are not approved by Radio Systems

Corporation may violate EU regulations, could void the user's authority to operate the equipment, and will void the warranty.

The Declaration of Conformity can be found at:
http://www.petsafe.net/customer-care/eu_docs.php.



Important Recycling Advice

Please respect the Waste Electrical and Electronic Equipment regulations in your country. This equipment must be recycled. If you no longer require this equipment, do not place it in the normal municipal waste system. Please return it to where it was purchased in order that it can be placed in our recycling system. If this is not possible, please contact the Customer Care Centre for further information.

Terms of Use and Limitation of Liability

1. Terms of Use

Use of this Product is subject to your acceptance without modification of the terms, conditions and notices contained herein. Use of this Product implies acceptance of all such terms, conditions and notices. If you do not wish to accept these terms, conditions, and notices, please return the Product, unused, in its original packaging and at your own cost and risk to the relevant Customer Care Centre together with proof of purchase for a full refund.

2. Proper Use

If you are unsure whether this Product is appropriate for your pet, please consult your veterinarian or certified trainer prior to use. Proper use includes, without limitation, reviewing the entire Operating Guide and any specific safety information statements.

3. No Unlawful or Prohibited Use

This Product is designed for use with pets only. Using this Product in a way that is not intended could result in violation of Federal, State or local laws.

4. Limitation of Liability

In no event shall Radio Systems Corporation or any of its associated companies be liable for (i) any indirect, punitive, incidental, special or consequential damage and/or (ii) any loss or damages whatsoever arising out of or connected with the misuse of this Product. The Purchaser assumes all risks and liability from the use of this Product to the fullest extent permissible by law.

5. Modification of Terms and Conditions

Radio Systems Corporation reserves the right to change the terms, conditions and notices governing this Product from time to time. If such changes have been notified to you prior to your use of this Product, they shall be binding on you as if incorporated herein.

Radio Systems Corporation, Radio Systems PetSafe Europe Ltd., Radio Systems Australia Pty Ltd. et tout autre filiale ou marque de Radio Systems Corporation peuvent être collectivement désignées par « nous » à partir de la lecture de ce document.

CONSIGNES DE SÉCURITÉ IMPORTANTES

Description des termes et symboles utilisés dans ce manuel



Ce symbole est une alerte de sécurité. Il est utilisé pour vous alerter des risques de blessures. Veuillez respecter tous les messages de sécurité qui suivent ce symbole pour éviter tout risque de blessure ou de décès.

⚠ AVERTISSEMENT

AVERTISSEMENT indique une situation dangereuse qui, si elle n'est pas évitée, pourrait entraîner la mort ou des blessures graves.

ATTENTION

ATTENTION utilisé sans le symbole d'alerte de sécurité, indique une situation dangereuse qui, si elle n'est pas évitée, pourrait blesser votre animal.

AVIS

AVIS indique les pratiques d'utilisation sûres qui ne risquent pas d'entraîner des blessures corporelles.

⚠ AVERTISSEMENT

Appliquez toujours les règles élémentaires de sécurité suivantes lorsque vous utilisez des appareils électriques, afin de réduire le risque d'incendie, d'électrocution et/ou de blessure :

- Pour réduire le risque de blessures, une surveillance attentive est nécessaire lorsque l'appareil est utilisé à proximité d'enfants.
- Ne mettez pas le cordon d'alimentation électrique ni la prise dans l'eau ni dans d'autres liquides, afin d'éviter tout choc électrique.
- N'utilisez pas l'appareil à l'extérieur. **POUR USAGE EN INTÉRIEUR UNIQUEMENT.**
- Ne tirez jamais sur le cordon pour le débrancher de la prise électrique. Débranchez en tenant la fiche et non le cordon.
- Ne faites pas fonctionner l'appareil si le cordon d'alimentation électrique ou la prise est endommagé(e), s'il (elle) ne fonctionne pas correctement ou s'il (elle) est endommagé(e). Contactez immédiatement votre Service clientèle pour obtenir des instructions.
- Appareils portables - Afin de réduire le risque de choc électrique, il ne faut jamais placer ou ranger un appareil à un endroit d'où il peut tomber ou être tiré dans une baignoire ou un lavabo.
- Débranchez toujours l'appareil lorsque celui-ci n'est pas utilisé, avant d'installer ou de retirer des pièces, et avant de le nettoyer.
- N'utilisez jamais un appareil à d'autres fins que celles prévues.
- Si la prise de ce dispositif est mouillée, coupez l'alimentation du secteur. Ne tentez pas de débrancher l'appareil lui-même.
- Vérifiez cet appareil après installation. Ne le branchez pas sur le secteur si le cordon électrique ou la prise est mouillé(e).

ATTENTION

- Ne laissez pas les animaux de compagnie mordre ni avaler les pièces de l'appareil. Si vous avez des inquiétudes concernant le cordon d'alimentation, vous pouvez vous procurer un canal pour cordon (dispositif de protection en plastique dur) dans n'importe quelle quincaillerie.
- Les pièces en plastique qui composent la fontaine pour animaux de compagnie ne contiennent pas de bisphénol. Cependant, certains animaux sont sensibles aux récipients pour nourriture et boisson en plastique. Si votre animal montre des signes de réaction allergique au plastique, veuillez interrompre l'utilisation de l'appareil jusqu'à ce que vous ayez consulté votre vétérinaire.

AVIS

- La fontaine pour animaux de compagnie est conçue pour fonctionner sans interruption (toujours branchée sur une prise du secteur), aussi longtemps que le niveau d'eau est maintenu et que la fontaine pour animaux de compagnie est nettoyée régulièrement. Assurez-vous de vérifier régulièrement la fontaine pour animaux de compagnie afin d'éviter toute détérioration de la pompe dans le cas où l'eau aurait été entièrement consommée ou se serait évaporé entraînant le fonctionnement de la pompe à vide.
- Ne tentez pas de réparer la pompe vous-même.
- Afin d'éviter de mouiller le cordon d'alimentation ou la prise électrique, la prise du secteur doit toujours être placée au-dessus de la fontaine pour animaux de compagnie.
- Si vous avez besoin d'une rallonge électrique, veillez à utiliser une rallonge de puissance électrique appropriée.
- La consommation électrique de cet appareil est de 2,5 watts.
- L'utilisation d'accessoires non recommandés ou non vendus par le fabricant peut donner lieu à de mauvaises conditions de sécurité. Ne modifiez pas l'appareil.
- N'installez et ne conservez pas non plus l'appareil dans des lieux susceptibles d'être exposés à des températures inférieures à 4,5 °C.
- Lisez et respectez toutes les remarques importantes figurant sur l'appareil et dans son emballage.
- Ne lavez jamais les filtres avec de l'eau savonneuse, car les résidus de savon s'infiltreraient dans les filtres et ne peuvent plus être éliminés. Rincez uniquement les filtres à l'eau.
- Utilisez uniquement les filtres de rechange autorisés de la marque Petsafe®. L'utilisation de filtres non autorisés pourrait annuler la garantie.

CONSERVEZ CES CONSIGNES

EN

FR

NL

ES

IT

DE

EN

Merci d'avoir choisi la marque PetSafe®. Votre relation avec votre animal doit être faite de moments mémorables et d'une complicité mutuelle. Nos produits et nos outils de dressage permettent aux animaux et à leurs propriétaires d'avoir de meilleures relations. **Pour toute question concernant nos produits ou le dressage de votre animal, veuillez consulter notre site web, www.petsafe.net, ou contacter notre Service clientèle. Pour obtenir la liste des numéros de téléphone de notre Service clientèle, consultez notre site web, www.petsafe.net.**

FR

NL

ES

IT

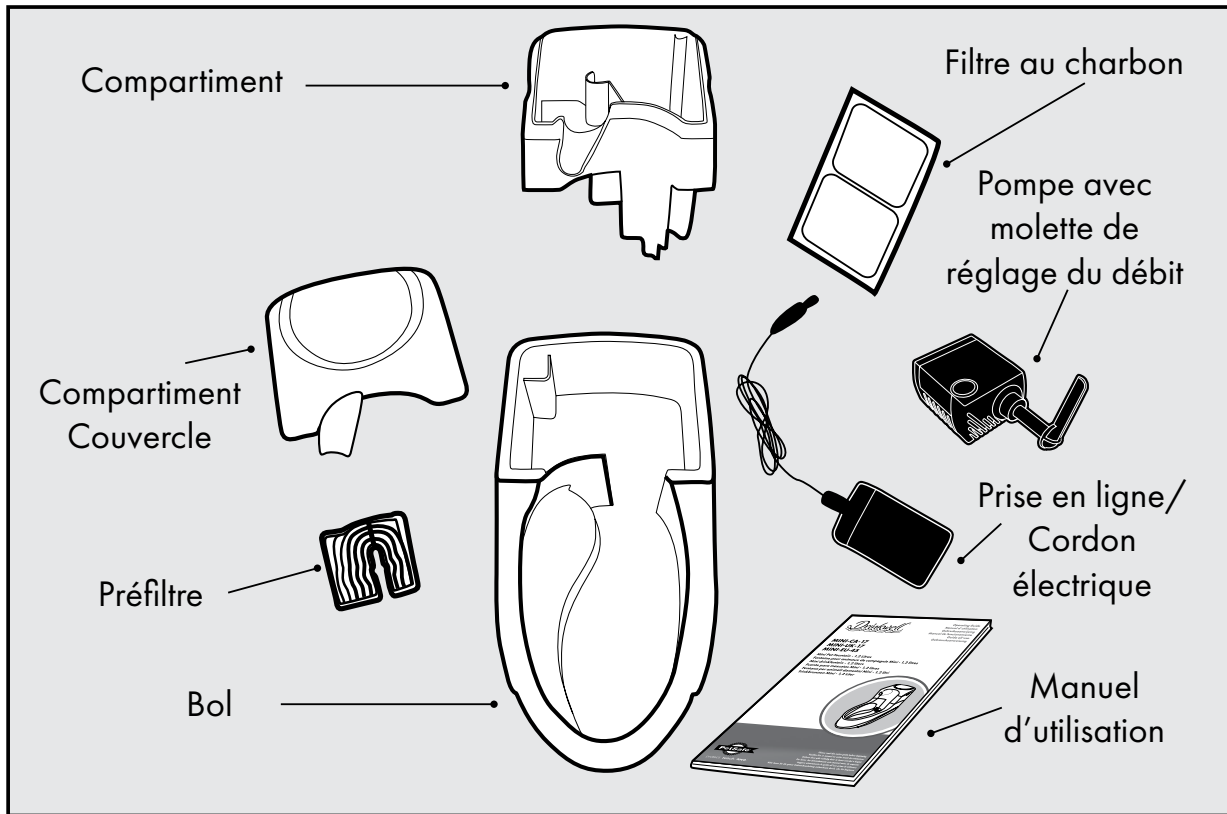
DE

Pour bénéficier pleinement de votre garantie, veuillez enregistrer votre article sous 30 jours sur le site www.petsafe.net. Grâce à cet enregistrement et en conservant le reçu, votre produit sera totalement couvert par notre garantie ; et si vous deviez contacter notre service clientèle, nous pourrions vous aider plus rapidement. Il est important de souligner que vos informations personnelles ne seront jamais fournies ni vendues à qui que ce soit. Une description complète de la garantie est disponible sur le site www.petsafe.net.

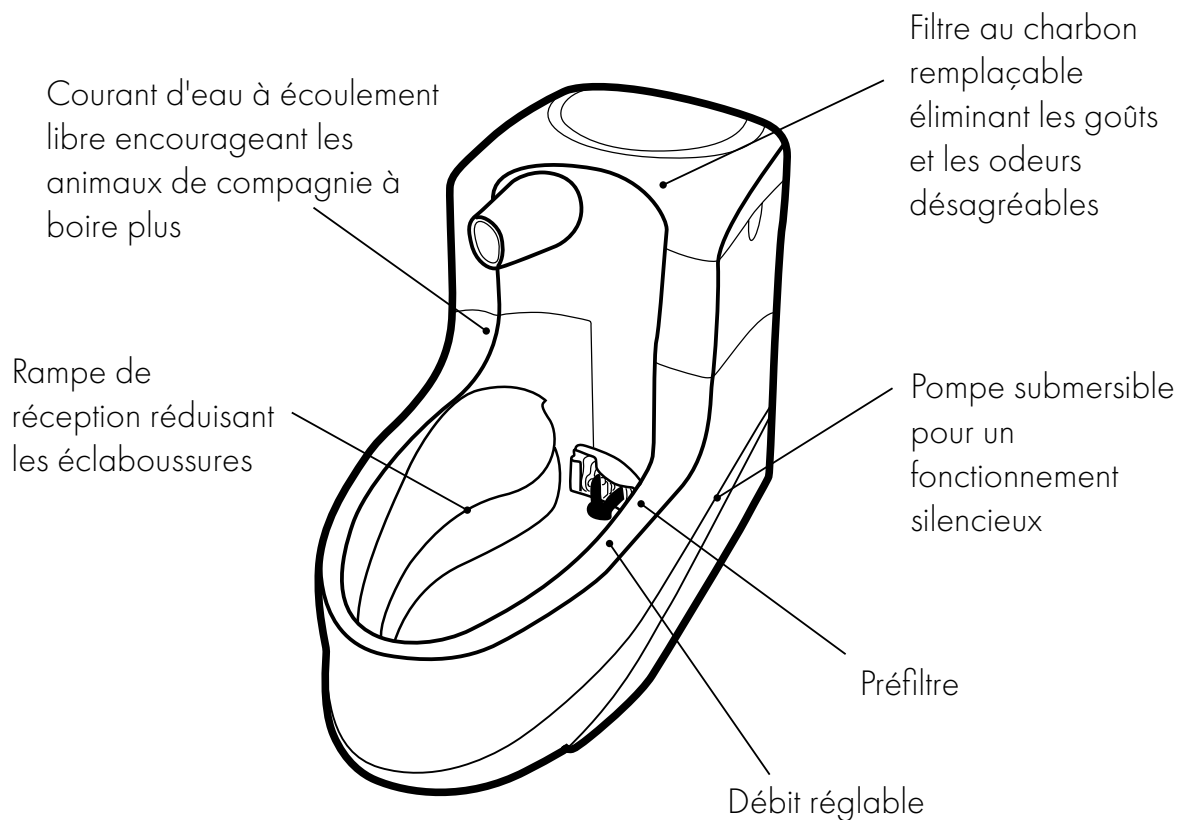
Table des matières

Contenu du kit	19
Caractéristiques	19
Définitions	20
Mode d'emploi	21
Démontage et nettoyage de la fontaine pour animaux de compagnie	22
Entretien de la pompe	24
Réassemblage de la fontaine pour animaux de compagnie	25
La fontaine pour animaux de compagnie et votre environnement	26
Conseils	26
Dépannage	27
Garantie	28
Conformité	29
Remarque importante concernant le recyclage	29
Conditions d'utilisation et limitation de responsabilité	30

Contenu du kit



Caractéristiques



Capacité en eau de 1,2 l

Système à basse tension (12 V)

Définitions

Compartment : l'eau est pompée via le compartiment afin de passer par le filtre au charbon puis dans le bec verseur, pour enfin se jeter en cascade dans le bol.

Couvercle du compartiment : le couvercle du compartiment se ferme rapidement, empêchant les animaux d'approcher du filtre au charbon.

Filtre au charbon : le filtre au charbon triple couche se compose de carbone granulé tiré de la coquille de noix de coco. Il absorbe tous les mauvais goûts et les mauvaises odeurs de l'eau qu'il filtre et permet à celle-ci de rester fraîche et plus attrayante pour les animaux de compagnie.

Bol : le bol est l'élément de base de la fontaine pour animaux de compagnie. Il contient la pompe et un « passage » permettant de dissimuler le cordon électrique.

Préfiltre : petite grille d'aspiration qui retient les grosses particules telles que poils, débris et morceaux d'aliment et les empêche d'atteindre le filtre au charbon.

Molette de réglage du débit : la molette noire se fixe sur la façade et permet de régler le débit de l'eau. La molette de réglage du débit peut être retirée en enlevant la pompe (voir « entretien de la pompe » pour des instructions détaillées).

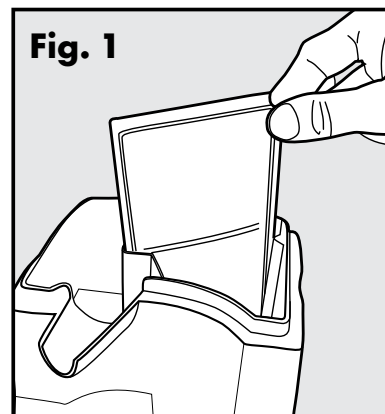
Pompe : la petite pompe d'aquarium submersible peut être démontée pour le nettoyage. LA POMPE N'EST PAS CONÇUE POUR ÊTRE MISE AU LAVE-VAISSELLE ! Retirez la pompe de la fontaine avant le nettoyage (voir la section « Entretien de la pompe » pour des consignes détaillées). La pompe comprend également une prise en ligne, pour une fixation et un retrait plus faciles.

Mode d'emploi

Important : NE PAS FAIRE FONCTIONNER L'APPAREIL À SEC - POUR USAGE EN INTÉRIEUR UNIQUEMENT. La fontaine pour animaux de compagnie est fournie déjà montée et prête à l'emploi.

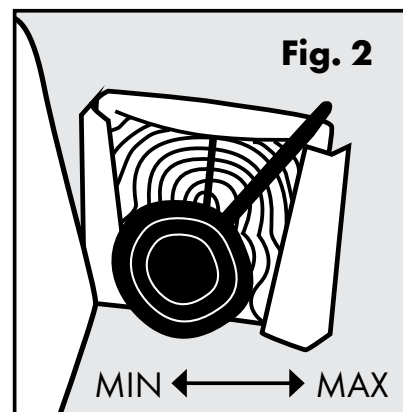
Remarque : rincez tous les éléments de la fontaine pour animaux de compagnie avec de l'eau chaude avant de la faire fonctionner. Ceci permet d'éliminer la poussière ou tout résidu de fabrication resté piégé dans le système.

1. Retirez délicatement tous les composants de la fontaine pour animaux de compagnie de l'emballage et les mettre de côté avant l'assemblage.
2. Comme pour tous les dispositifs électriques, vérifiez que le cordon d'alimentation ne présente aucune coupure ou détérioration avant de l'utiliser.
3. Vérifiez que la prise en ligne est bien connectée. Lorsqu'elle est correctement connectée, l'extrémité en argent n'est pas visible.
4. Pour enlever le couvercle du compartiment, placez les index dans les rainures encastrées disposées de chaque côté du couvercle. Soulevez. Mettez le couvercle de côté.
5. Placez le filtre au charbon dans le compartiment. Les bords du filtre s'insèrent dans les deux fentes triangulaires situées du côté droit du compartiment. Positionnez le filtre au charbon en orientant son côté étroit vers le bas et son côté blanc vers l'avant de la fontaine (**Fig. 1**). Le filtre au charbon glisse facilement en place, mais veillez à bien l'enfoncer jusqu'à ce qu'il bute.



Important : rincez abondamment le filtre au charbon à l'eau froide avant de le placer dans la fontaine pour animaux de compagnie. Ceci pour retirer toute poussière de charbon, au demeurant inoffensive. Il est possible qu'une petite quantité de poussière de charbon soit libérée pendant toute la durée de vie du filtre au charbon. Ce phénomène est normal et sans danger pour votre animal de compagnie.

6. Remplissez d'eau la fontaine pour animaux de compagnie. Ceci comprend le bol et le compartiment. La pompe sera alors amorcée.
7. Reposez le couvercle du compartiment en l'enclenchant.
8. Placez la fontaine pour animaux de compagnie à l'endroit voulu. Ne soulevez pas la fontaine remplie en la tenant par le compartiment. **Important :** pour protéger votre sol, utilisez toujours un tapis protecteur, absorbant ou imperméable. Cela permettra de protéger votre sol contre les éclaboussures et les déversements provoqués par votre animal.
9. Avant de brancher la fontaine pour animaux de compagnie, assurez-vous que le cordon d'alimentation électrique, la prise et vos mains sont secs. Branchez la fontaine sur une prise murale électrique.
10. Réglez le débit à l'aide de la molette de réglage du débit située à droite de la rampe de réception. La position « 10 heures » de la molette correspond au débit minimal et la position « 2 heures », au débit maximal (**Fig. 2**).



11. Ajoutez de l'eau dans le bol et le réservoir selon les besoins. Ne laissez pas le niveau d'eau descendre en dessous de la molette de réglage du débit ; vous risqueriez de provoquer une défaillance de la pompe. Les pompes de rechange sont vendues séparément ; pour cela, appelez le service clientèle. Pour connaître les numéros de téléphone du service clientèle le plus proche de chez vous, visitez notre site www.petsafe.net.

Démontage et nettoyage de la fontaine pour animaux de compagnie

Important : la fontaine pour animaux de compagnie doit être nettoyée afin de continuer à fonctionner normalement.

FILTRE AU CHARBON : le filtre au charbon doit être changé toutes les deux à quatre semaines.

1. Remplacez le filtre au charbon plus fréquemment si vous utilisez la même fontaine pour plusieurs animaux de compagnie ou si votre animal salive beaucoup.
2. Le filtre au charbon est un accessoire de la fontaine pour animaux de compagnie. L'utilisation d'un filtre n'est pas obligatoire pour un fonctionnement normal, néanmoins cela permettra de garder l'eau de la fontaine plus propre.
3. Le filtre au charbon peut être rincé lors du nettoyage de la fontaine. Ne nettoyez jamais le filtre avec de l'eau savonneuse, car vous ne seriez pas en mesure d'éliminer les résidus de savon.

AVIS

- Ne lavez jamais les filtres avec de l'eau savonneuse, car les résidus de savon s'infiltreraient dans les filtres et ne peuvent plus être éliminés. Rincez uniquement les filtres à l'eau.
- Utilisez uniquement les filtres de rechange autorisés de la marque Petsafe®. L'utilisation de filtres non autorisés pourrait annuler la garantie.

FONTAINE POUR ANIMAUX DE COMPAGNIE : Nettoyez la fontaine pour animaux de compagnie une fois par semaine.

1. Débranchez la fontaine et déconnectez la prise en ligne.
2. Retirez le couvercle du compartiment et le filtre au charbon.
3. Videz toute l'eau contenue dans la fontaine pour animaux de compagnie.
4. Enlevez le préfiltre en le soulevant délicatement par son rebord supérieur, puis lavez-le à l'eau et au savon (**Fig. 3**).

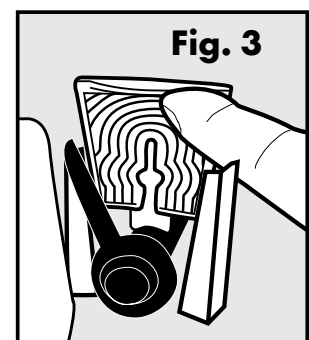
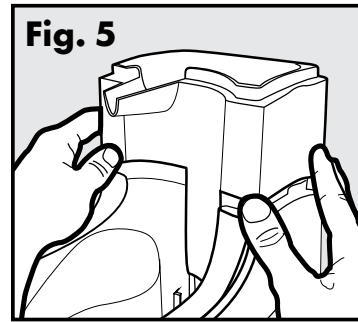
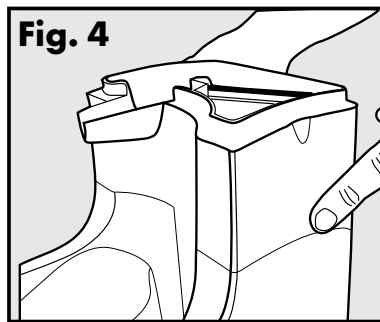
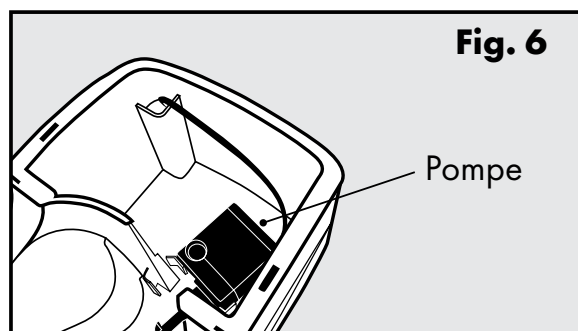


Fig. 3

5. Enlevez le compartiment en appuyant doucement de chaque côté de la fontaine à l'endroit où la courbe rejoint la ligne de séparation. Soulevez délicatement (**Fig. 4 à 5**). Une certaine résistance se fait sentir du côté droit du compartiment parce que le tube d'entrée de l'eau se détache de la pompe.



6. Retirez la pompe de son emplacement en plaçant votre index derrière la pompe et en saisissant le bas de la pompe avec le pouce (**Fig.6**).

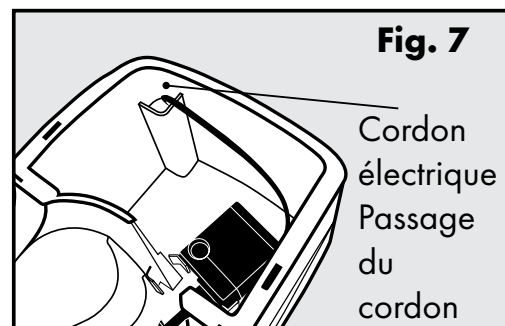


7. Soulevez la pompe ; il peut être nécessaire d'exercer une faible force jusqu'à ce que les ventouses se relâchent.

8. Tirez la prise en ligne à travers le passage situé du côté gauche de la pompe (**Fig. 7**).

9. Une fois que la fontaine pour animaux de compagnie est complètement démontée, vous devez avoir 4 pièces en plastique.

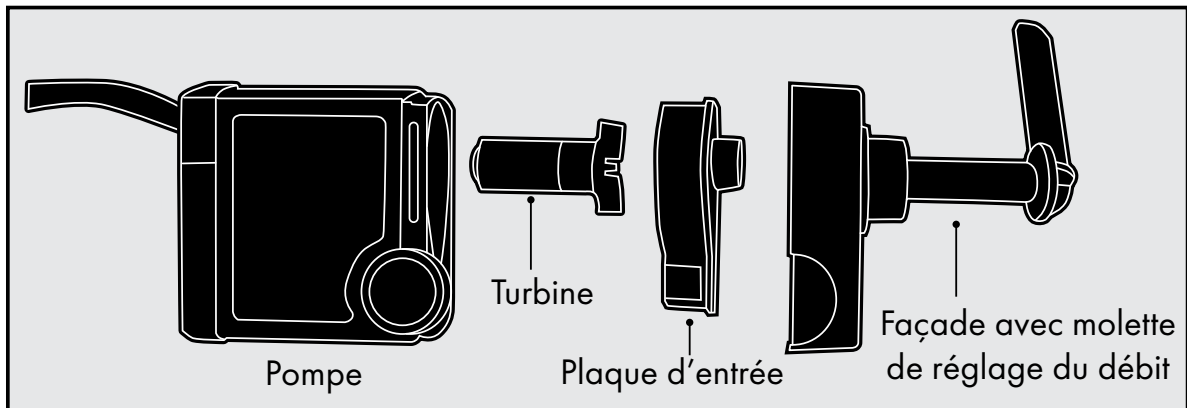
10. Nettoyez les éléments en plastique de la fontaine pour animaux de compagnie au savon et à l'eau chaude. Vous pouvez aussi mettre la fontaine dans le compartiment supérieur de votre lave-vaisselle. Retirez la pompe avant de placer la fontaine dans le lave-vaisselle. **NE METTEZ JAMAIS LA POMPE DANS LE LAVE-VAISSELLE.** Si possible, nous vous recommandons de couper le chauffage de l'eau à l'intérieur du lave-vaisselle. Vous pouvez également nettoyer la fontaine à l'aide d'une solution au vinaigre diluée (20 % de vinaigre blanc et 80 % d'eau). Assurez-vous de la rincer abondamment avec de l'eau propre.



11. Si vous rencontrez des difficultés pour atteindre certaines parties ou certains recoins difficiles d'accès, essayez d'utiliser un coton-tige ou bien procurez-vous le kit de nettoyage Drinkwell®, un système de brossage en 3 pièces. Pour vous procurer un kit de nettoyage, consultez notre site web www.petsafe.net afin de trouver un revendeur proche de chez vous, ou une liste des numéros de téléphone des Services clientèle proches de chez vous.

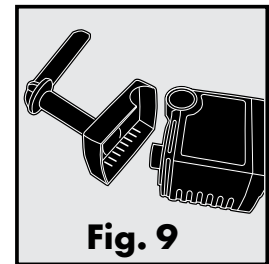
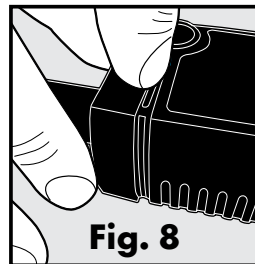
Entretien de la pompe

Important : le nettoyage de la pompe est essentiel à la longévité de la fontaine pour animaux de compagnie et permet de maintenir la propreté de l'eau. Nettoyez la pompe toutes les 2 semaines. La garantie peut ne plus être valable si le moteur de la pompe n'est pas nettoyé régulièrement.

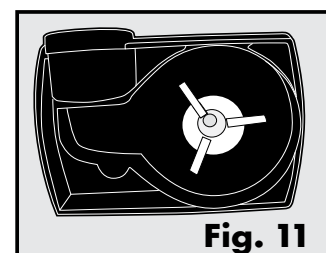
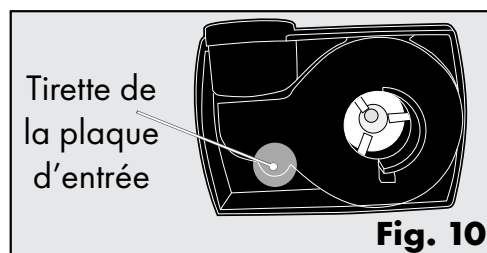


1. Retirez le préfiltre et le compartiment du bol.
2. Retirez la pompe de la fontaine comme indiqué dans la section concernant le démontage et le nettoyage de la fontaine pour animaux de compagnie.

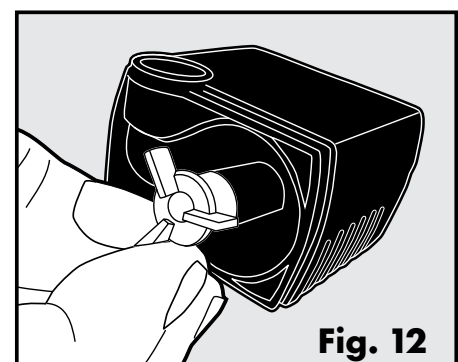
3. Une fois la pompe enlevée de la fontaine, serrez délicatement de chaque côté de la façade avec le pouce et l'index et retirez la façade. Il peut être nécessaire d'insérer un ongle dans la ligne de séparation de la façade pour détacher cette dernière (**Fig. 8 et 9**).



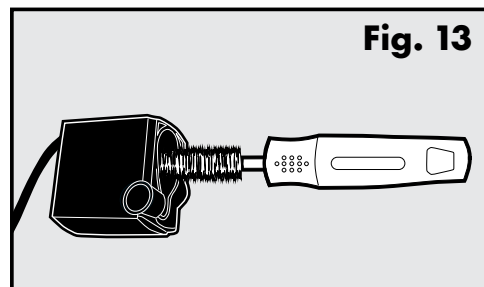
4. Ensuite, retirez la plaque d'entrée en plaçant votre ongle sous la petite languette de la partie étroite de la tirette en forme de goutte de la plaque d'entrée et en tirant (**Fig. 10 et 11**).



5. Une fois la plaque d'entrée retirée, vous pouvez aussi enlever la turbine (turbine blanche à 3 pales), qui est fixée magnétiquement. Pour enlever la turbine, placez un ongle sous une des pales et sortez la turbine de la pompe (**Fig. 12**).



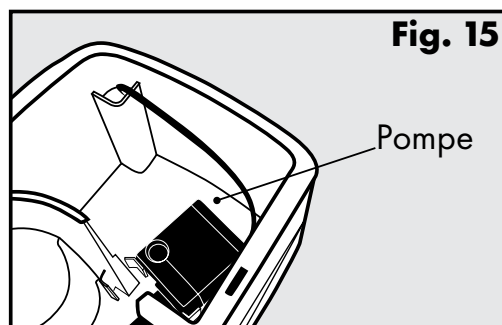
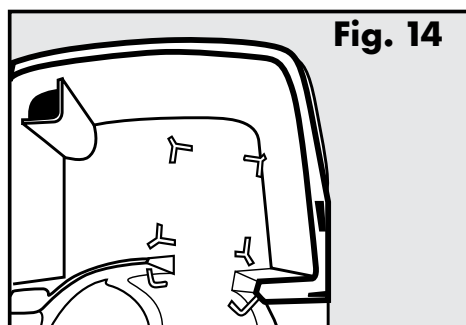
6. Une fois la pompe démontée, vous pouvez nettoyer les éléments au savon et à l'eau chaude. Utilisez un coton-tige ou la brosse « moteur » du kit de nettoyage Drinkwell® afin d'atteindre la chambre du moteur de la pompe et de retirer tous débris accumulés (**Fig. 13**). Pour une désinfection plus poussée et pour retirer l'eau dure, nettoyez la pompe à l'aide d'une solution au vinaigre diluée (20 % de vinaigre blanc et 80 % d'eau).



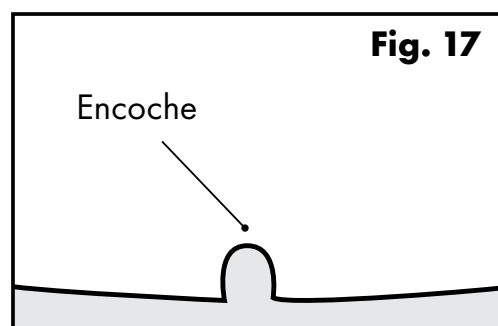
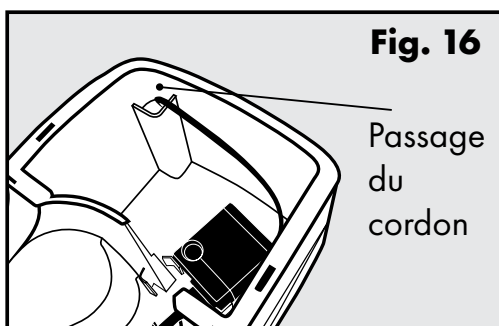
7. Une fois que tous les éléments sont propres, vous pouvez remonter la pompe.
- Remplacez la turbine.
 - Remplacez la plaque d'entrée.
 - Remplacez la façade avec la molette de réglage du débit.

Réassemblage de la fontaine pour animaux de compagnie

1. Remplacez la pompe dans son logement, entre les quatre plots situés du côté droit du bol de la fontaine pour animaux de compagnie. Appuyez doucement sur la pompe pour coller les ventouses (**Fig. 14 & 15**).



2. Tirez la prise en ligne à travers le passage situé du côté gauche, à l'arrière du bol (**Fig. 16**). Pour assurer la stabilité de la fontaine pour animaux de compagnie, acheminez le cordon électrique le long de l'arrière de la fontaine et à travers la fente située à la base du bol (**Fig. 17**).



3. Pour fixer le compartiment, centrez-le par rapport à la pompe, puis par rapport au bol. Positionnez le tube d'entrée de manière à ce qu'il s'insère directement dans la pompe. Appuyez doucement sur le compartiment pour le verrouiller en place.

4. Remplacez le préfiltre en le glissant, bout étroit en premier, sur la molette de réglage du débit. Le rebord supérieur du préfiltre doit être dirigé vers l'avant de la fontaine. Abaissez le préfiltre en appuyant dessus jusqu'à ce qu'il s'enclenche en position sur la molette de réglage du débit (**Fig. 18**).

5. Remplacez le filtre au charbon en orientant son côté blanc vers l'avant de la fontaine, en direction du bec verseur.

6. Remplissez d'eau le bol et le compartiment, puis remettez le compartiment en place.

7. Avant de brancher la fontaine pour animaux de compagnie, assurez-vous que le cordon d'alimentation électrique, la prise et vos mains sont secs. Branchez la fontaine sur une prise murale électrique.

8. Réglez le débit à l'aide de la molette de réglage du débit située à droite de la rampe de réception. La position « 10 heures » de la molette correspond au débit minimal et la position « 2 heures », au débit maximal.

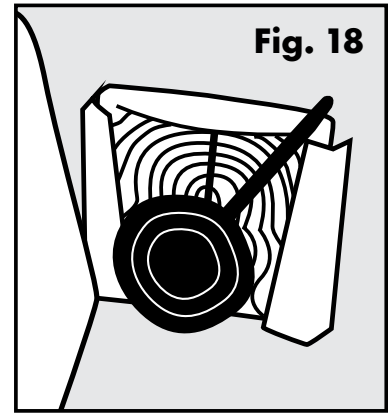


Fig. 18

La fontaine pour animaux de compagnie et votre environnement

Si vous vivez dans un environnement humide et rencontrez des problèmes de moisissure et d'algues, trempez tous les éléments de la fontaine pour animaux de compagnie dans une solution de vinaigre dilué (20 % de vinaigre blanc et 80 % d'eau) pendant 10 minutes après le nettoyage habituel. Versez également la solution à base de vinaigre dans la chambre du moteur de la pompe.

Si votre eau est dure, de petits dépôts blancs de minéraux peuvent se former sur la pompe et à l'intérieur de celle-ci. Ceci peut, à terme, empêcher la turbine de tourner correctement. Pour éviter d'endommager la pompe ou d'avoir à la remplacer, veuillez prendre les précautions suivantes :

- Nettoyez la pompe plus fréquemment.
- Nettoyez la pompe toutes les semaines avec une solution de vinaigre dilué.
- Utilisez de l'eau en bouteille à la place de l'eau du robinet.

Conseils

- Lorsqu'il verra la fontaine pour animaux de compagnie pour la première fois, il est possible que votre animal se montre prudent quant à ce nouvel objet, qui plus est inhabituel. Une fois que la fontaine commencera à fonctionner, laissez votre animal s'adapter à son rythme. Certains animaux peuvent mettre plusieurs jours, voire une longue période, avant de commencer à utiliser la fontaine, tandis que d'autres le feront tout de suite.

- Il est possible que votre animal de compagnie préfère que la fontaine soit placée à distance de l'endroit où vous le nourrissez habituellement. Essayez de la placer à un autre endroit, comme une autre partie de la cuisine, dans une salle d'eau ou dans une pièce de service.
- Ajoutez des glaçons dans le bol pour obtenir une eau glacée et rafraîchissante !

Dépannage

Les réponses à ces questions devraient vous aider à résoudre les problèmes que peut vous poser la fontaine pour animaux de compagnie. Si ce n'est pas le cas, veuillez contacter notre Service clientèle.

DÉPANNAGE	
PROBLÈME	SOLUTION
La pompe ne fonctionne pas ou l'eau ne circule pas aussi bien qu'avant.	<ul style="list-style-type: none"> • Ne laissez jamais le niveau d'eau dans le bol descendre en-dessous du niveau de remplissage minimum. Cela pourrait créer une surchauffe au niveau de la pompe et provoquer son arrêt. • Lorsque vous remplissez la fontaine pour animaux de compagnie, assurez-vous d'avoir ajouté l'eau avant de mettre la fontaine en marche. • Le manque de nettoyage régulier peut entraîner l'obturation de la pompe par les poils de l'animal de compagnie ou des restes de nourriture. La pompe doit être nettoyée toutes les 2 à 4 semaines afin de garantir son bon fonctionnement. • Remplissez la fontaine pour animaux de compagnie avec de l'eau jusqu'à la ligne de remplissage max.
La fontaine pour animaux de compagnie est bruyante.	<ul style="list-style-type: none"> • Un léger bruit de fond est normal mais cela ne doit pas être bruyant. Contrôlez le niveau d'eau. Si le niveau d'eau est trop bas, la pompe doit fonctionner davantage, d'où un bruit plus important que d'habitude. • Débranchez la fontaine pour animaux de compagnie pendant 15 secondes. Si le bruit persiste lorsque vous la rebranchez, il est possible que des débris soient pris dans la turbine. Retirez la pompe et nettoyez la turbine. Essayez de badigeonner un peu d'huile végétale sur la tige magnétique à l'aide d'un coton-tige afin de lubrifier la turbine.
Le bol contient des particules noires.	<ul style="list-style-type: none"> • Il s'agit de poussière de granulés de charbon provenant du filtre qui ne représentent aucun danger pour votre animal de compagnie s'il l'ingère. Pour éviter cela, rincez le filtre au charbon à l'eau froide avant de le placer dans la fontaine pour animaux de compagnie.

La fontaine pour animaux de compagnie est visqueuse.	<ul style="list-style-type: none"> • Si vous avez plusieurs animaux de compagnie qui utilisent la fontaine pour animaux de compagnie, la sensation visqueuse peut être provoquée par la salive de vos animaux. Pour éviter cela, changez l'eau et nettoyez votre fontaine pour animaux de compagnie plus fréquemment. • Vérifiez que les éléments de la fontaine pour animaux de compagnie sont soigneusement rincés après avoir nettoyé la fontaine. Les résidus de savon peuvent être à l'origine du même effet.
L'adaptateur d'alimentation est chaud au toucher.	<ul style="list-style-type: none"> • Débranchez la fontaine pour animaux de compagnie et branchez-la à un protecteur de surtension.
La fontaine pour animaux de compagnie fuit.	<ul style="list-style-type: none"> • Parfois, l'eau présente autour de la fontaine pour animaux de compagnie est due aux animaux de compagnie qui renversent l'eau en buvant. Certains animaux de compagnie renversent l'eau plus que d'autres. Observez votre animal de compagnie quand il boit afin de vérifier la cause des éclaboussures. S'il s'agit bien de cela, il est possible de se procurer un tapis de fontaine pour animaux de compagnie ou autre tapis imperméable que l'on place sous la fontaine.
La fontaine pour animaux de compagnie semble sale, même une fois nettoyée.	<ul style="list-style-type: none"> • Si une substance blanche crayeuse est présente dans la fontaine pour animaux de compagnie, il se peut que votre fontaine accumule des dépôts minéraux dus à la dureté de l'eau. Pour supprimer ces dépôts, nettoyez les éléments de la fontaine pour animaux de compagnie avec un mélange composé de 80 % d'eau et de 20 % de vinaigre. Rincez ensuite soigneusement tous les éléments. Pour éviter ce problème de dépôts, utilisez de l'eau filtrée ou purifiée à la place de l'eau dure du robinet.

Garantie

Garantie limitée de deux ans, non transférable

Ce produit bénéficie d'une garantie limitée du fabricant. Les informations complètes ainsi que les termes de la garantie applicable à ce produit sont disponibles sur le site www.petsafe.net et/ou peuvent être obtenus en contactant votre service clientèle locale.

Europe – Radio Systems PetSafe Europe Ltd., 2nd Floor, Elgee Building, Market Square, Dundalk, Co. Louth, Irlande

Canada – Radio Systems Corporation, 10427 PetSafe Way, Knoxville, TN 37932 États-Unis

Conformité

CE

Ce matériel est conforme aux directives européennes relatives à la conformité électromagnétique et à la basse tension. Les modifications et les changements apportés à l'appareil et non approuvés par Radio Systems Corporation peuvent contrevenir aux réglementations européennes, annuler le droit de l'utilisateur à faire fonctionner l'appareil et annuler la garantie.

Vous trouverez la déclaration de conformité à l'adresse :
http://www.petsafe.net/customer-care/eu_docs.php.



Remarque importante concernant le recyclage

Veillez vous conformer aux réglementations concernant les déchets d'équipements électriques et électroniques de votre pays. Cet appareil doit être recyclé. Si vous n'avez plus besoin de cet appareil, ne le mettez pas dans le système de déchets normal. Veuillez le rapporter là où vous l'avez acheté pour qu'il soit recyclé. Si vous ne pouvez pas le faire, veuillez contacter le service clientèle pour de plus amples informations.

EN

FR

NL

ES

IT

DE

Conditions d'utilisation et limitation de responsabilité

1. Conditions d'utilisation

L'utilisation de ce produit revient à en accepter les termes, conditions et consignes d'utilisation. Si vous n'acceptez pas ces termes, conditions et consignes d'utilisation, veuillez renvoyer ce produit, inutilisé, dans son emballage d'origine et à vos frais et risques, au Service clientèle approprié avec une preuve d'achat afin d'obtenir un remboursement complet.

2. Utilisation appropriée

Si vous n'êtes pas sûr que ce Produit soit adapté à votre animal, veuillez consulter votre vétérinaire ou un dresseur certifié avant emploi. Une utilisation appropriée comprend, sans s'y limiter, la consultation de la totalité du manuel d'utilisation et des informations relatives à la sécurité.

3. Pas d'utilisation illégale ou défendue

Ce produit est conçu pour être utilisé exclusivement avec des animaux de compagnie. L'utilisation inappropriée de ce produit peut représenter une violation des lois fédérales, nationales ou locales.

4. Limitation de responsabilité

Radio Systems Corporation et ses sociétés affiliées ne peuvent en aucun cas être tenus responsables pour (i) des dommages directs, indirects, punitifs, accidentels, spéciaux ou secondaires, (ii) ni pour des dommages occasionnés ou associés à l'utilisation ou à l'utilisation inappropriée de ce produit. L'acheteur assume les risques et les responsabilités en rapport avec l'utilisation de ce produit et dans la pleine mesure prévue par la loi.

5. Modification des termes et des conditions

Radio Systems Corporation se réserve le droit de modifier ponctuellement les termes, les conditions et les consignes d'utilisation applicables à ce produit. Si de telles modifications vous ont été communiquées avant que vous n'utilisiez ce produit, elles ont une valeur contractuelle et s'appliquent comme si elles faisaient partie du présent document.

BELANGRIJKE VEILIGHEIDSINFORMATIE

Uitleg van in deze handleiding gebruikte belangrijke woorden en symbolen



Dit is het symbool voor een veiligheidswaarschuwing. Het wordt gebruikt om u te wijzen op mogelijke risico's van persoonlijk letsel. Volg alle veiligheidsberichten op die volgen op dit symbool om mogelijk letsel of overlijden te voorkomen.

WAARSCHUWING

WAARSCHUWING geeft een risicovolle situatie aan die, wanneer deze niet vermeden wordt, kan leiden tot overlijden of ernstig letsel.

VOORZICHTIG

VOORZICHTIG zonder de combinatie met het symbool voor een veiligheidswaarschuwing geeft een risicovolle situatie aan die, wanneer deze niet vermeden wordt, kan leiden tot letsel bij uw huisdier.

AANWIJZING

OPMERKING wordt gebruikt om te wijzen op zaken die niet gerelateerd zijn aan persoonlijk letsel.

WAARSCHUWING

Bij het gebruik van elektrische apparaten, moeten altijd de basisveiligheidsvoorschriften worden opgevolgd om brand, elektrische schokken en/of letsel aan personen te voorkomen, inclusief de volgende:

- Directe supervisie is noodzakelijk om letsel te voorkomen, indien het apparaat wordt gebruikt door of in de nabijheid van kinderen.
- Leg een netsnoer of stekker niet in water of andere vloeistoffen om de kans op elektrische schokken te verkleinen.
- Niet in buitenshuis gebruiken. **UITSLUITEND VOOR GEBRUIK BINNENSHUIS.**
- Trek niet aan het netsnoer als u de stekker uit het stopcontact wilt halen. Als u de stekker uit het stopcontact wilt halen, houdt u de stekker vast, niet het netsnoer.
- Gebruik het apparaat niet wanneer het netsnoer of de stekker beschadigd is of als het apparaat niet goed werkt of beschadigd is. Neem direct contact op met de klantenservice, voor verdere instructies.
- Voor draagbare apparaten - Leg of bewaar een apparaat niet op een plek waar het in een bad of gootsteen kan vallen of kan worden getrokken, om het risico van een elektrische schok te verkleinen.
- Zorg ervoor dat een apparaat niet aangesloten is, als het niet in gebruik is, als het uit elkaar gehaald of in elkaar gezet wordt, of als het schoongemaakt wordt.
- Gebruik een apparaat alleen voor de toepassing waarvoor het bedoeld is.
- Als de stekker van het apparaat nat geworden is, schakel dan de stroomtoevoer naar het stopcontact uit. Probeer nooit om de stekker uit het stopcontact te halen.
- Kijk dit apparaat na nadat u het hebt geïnstalleerd. Steek de stekker niet in het stopcontact als het netsnoer of de stekker nat is.

VOORZICHTIG

- Zorg ervoor dat huisdieren niet op de onderdelen kunnen kauwen of deze kunnen inslikken. Als u zich zorgen maakt over het netsnoer, kunt u bij elke doe-het-zelfwinkel een snoergeleider (een beschermende buis of strip van hard plastic) kopen.
- De plastic onderdelen van de drinkfontein zijn BPA-VRIJ. Echter, er zijn dieren die toch gevoelig zijn voor plastic bakjes voor het eten of water. Als uw huisdier tekenen van een allergische reactie op het plastic vertoont, mag u de drinkfontein pas weer na overleg met uw dierenarts gebruiken.

AANWIJZING

- De drinkfontein is bedoeld om doorlopend te zijn ingeschakeld (altijd aangesloten op een stopcontact), zolang het waterniveau hoog genoeg is en de drinkfontein regelmatig wordt schoongemaakt. Controleer de drinkfontein regelmatig om schade aan de pomp te voorkomen, indien het water leeggedronken is of verdampt waardoor de pomp kan drooglopen.
- Probeer nooit om de pomp zelf te repareren.
- Om te voorkomen dat de stekker of het stopcontact nat worden, dient het stopcontact altijd hoger dan de drinkfontein te zijn.
- Als een verlengsnoer nodig is, gebruik dan een snoer met de juiste veiligheidswaarden.
- Het elektrische verbruik van dit apparaat is 2,5 Watt.
- Gebruik van accessoires die niet worden aanbevolen of verkocht door de producent kunnen tot een onveilige situatie leiden. Modificeer het apparaat niet.
- Vermijd installatie of opslag van een apparaat op een plek waar het wordt blootgesteld aan het weer of temperaturen onder 4,5° C.
- Lees alle belangrijke opmerkingen op het apparaat en in de verpakking en neem die in acht.
- Was de filters nooit met zeepsop, omdat zeepresten in de filters kunnen doordringen en niet kunnen worden verwijderd. Spoel de filters alleen af met water.
- Gebruik uitsluitend toegestane vervangingsfilters van het merk PetSafe®. Als niet-toegestane filters worden gebruikt, kan dit de garantie ongeldig maken.

BEWAAR DEZE INSTRUCTIES

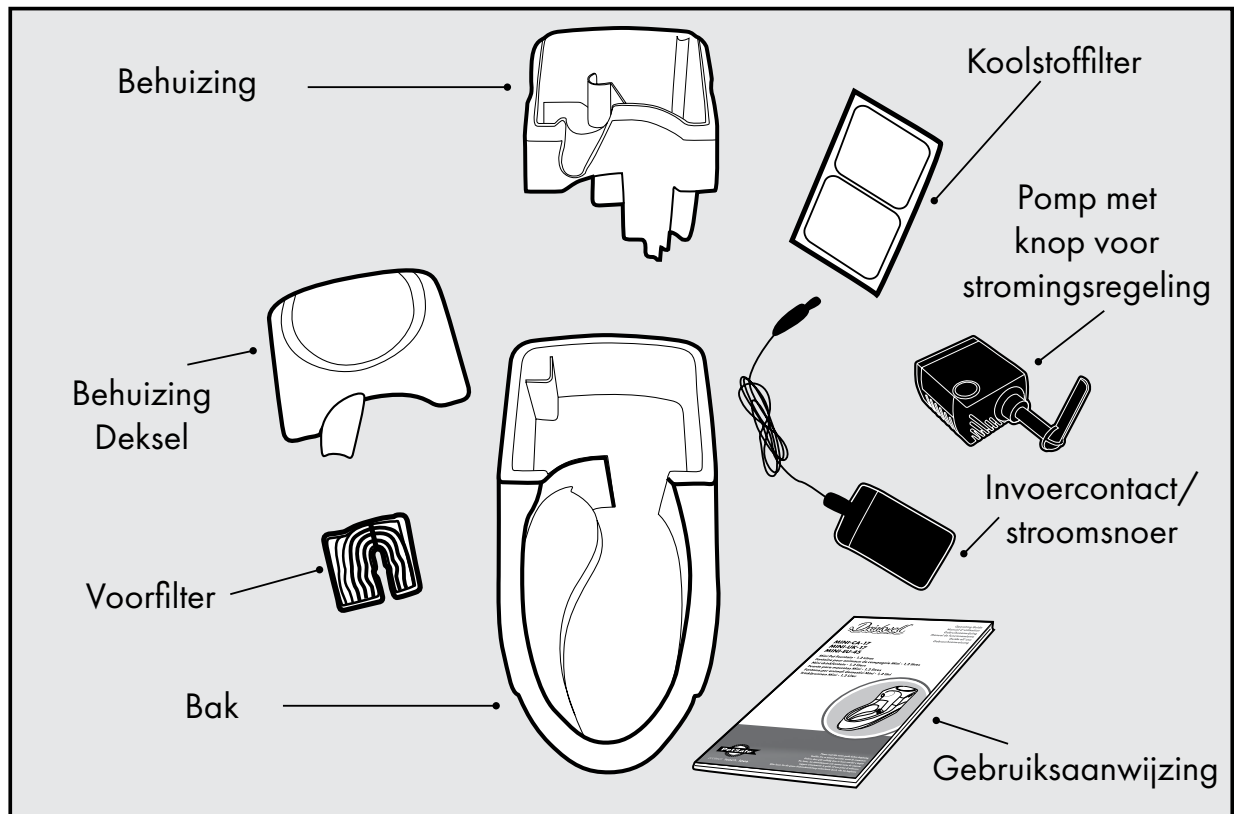
Dank u dat u voor het merk PetSafe® hebt gekozen. U en uw huisdier zijn een vriendschap waard met onvergetelijke momenten en in goede verstandhouding. Onze producten en trainingsmiddelen versterken de band tussen huisdieren en hun baasjes. **Als u vragen heeft over onze producten of het trainen van uw huisdier, bezoek dan onze website: www.petsafe.net of neem contact op met de klantenservice. U vindt een overzicht van telefoonnummers voor klantenservice op onze website www.petsafe.net.**

Als u optimaal wilt profiteren van uw garantie, verzoeken wij u uw product binnen 30 dagen te registreren via www.petsafe.net. Als u uw product registreert en uw aankoopbon bewaart, heeft u volledige garantie op het product en kunnen wij u sneller helpen als u ooit een keer genoodzaakt bent de klantenservice te bellen. En het belangrijkste: uw waardevolle informatie wordt nooit aan derden gegeven of verkocht. De volledige garantie-informatie is beschikbaar op www.petsafe.net.

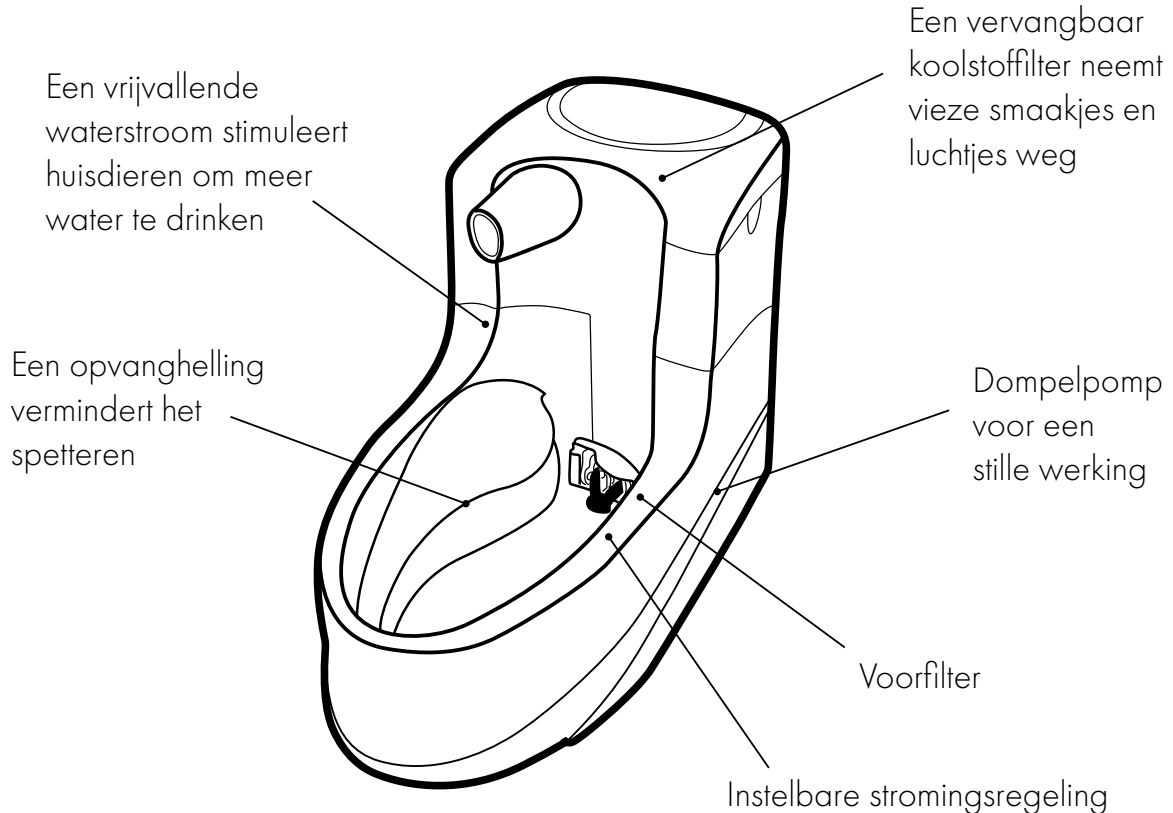
Inhoudsopgave

Onderdelen	34
Productkenmerken	34
Belangrijke definities	35
Bedieningsinstructies	36
Demontage en reiniging van de drinkfontein	37
Pomponderhoud	38
Opnieuw monteren drinkfontein voor huisdieren	40
De drinkfontein en uw milieu.	41
Algemene tips	41
Probleemoplossing	42
Garantie	43
Conformiteit	43
Belangrijk advies voor recycling	44
Gebruiksvoorwaarden en beperking van aansprakelijkheid	44

Onderdelen



Productkenmerken



Capaciteit voor 1,2 l water

Laagspanningssysteem (12V)

Belangrijke definities

Behuizing: Water wordt door de behuizing omhoog gepompt, door de koolstoffilter geleid en vervolgens uit de sproeigaten gespoten zodat er een waterval in de bak ontstaat.

Deksel van behuizing: Het deksel van de behuizing klikt op zijn plaats over de behuizing, zodat huisdieren niet bij de koolstoffilter kunnen komen.

Koolstoffilter: De 3 lagen van het koolstoffilter zijn gemaakt van koolstofkorrels die uit kokosbasten zijn verkregen. De koolstoffilter absorbeert vieze smaakjes en luchtjes wanneer het water erdoorheen loopt en zorgt ervoor dat het water vers smaakt en aantrekkelijker voor uw huisdier blijft.

Bak: De bak is het hoofdonderdeel van de drinkfontein. Hierin bevinden zich de pomp en een "kanaal" voor het stroomsnoer, zodat dit snoer niet zichtbaar is.

Voorfilter: Dit is een klein invoerrooster dat grote deeltjes zoals haren, vuilresten en brokjes wegvangt voordat die bij de koolstoffilter komen.

Knop voor stromingsregeling: Deze knop is aan de voorzijde bevestigd en regelt de waterstroming. De knop voor stromingsregeling kan worden verwijderd door de pomp uit elkaar te halen (zie het gedeelte "Pomponderhoud" voor uitgebreide aanwijzingen).

Pomp: De kleine aquarium-dompelpomp kan uit elkaar kan worden gehaald om te worden gereinigd. DE POMP MAG NIET IN DE AFWASMACHINE WORDEN GEREINIGD!. Verwijder de pomp uit de drinkfontein voordat u deze reinigt (zie het gedeelte "Pomponderhoud" voor uitgebreide aanwijzingen). De pomp is ook voorzien van een verwijderbaar insteekcontact voor gemakkelijke aansluiting en loskoppeling.

EN

FR

NL

ES

IT

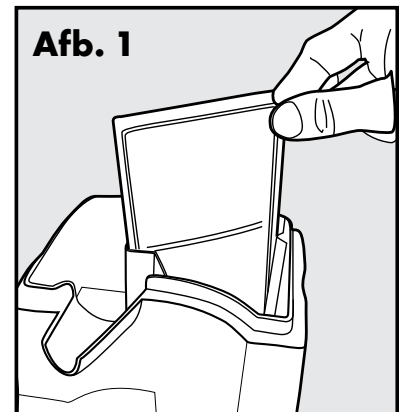
DE

Bedieningsinstructies

Belangrijk: NIET DROOG LATEN LOPEN - UITSLUITEND VOOR GEBRUIK BINNENSHUIS. De drinkfontein wordt volledig gemonteerd en klaar voor gebruik geleverd.

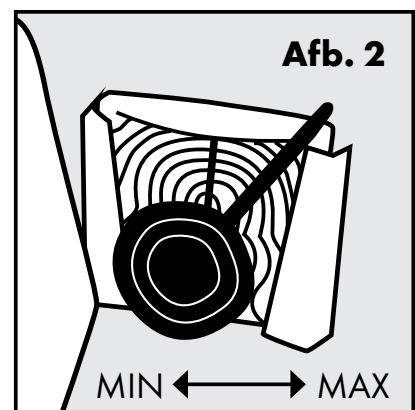
Opmerking: Spoel alle onderdelen van de fontein af met warm water voordat u de drinkfontein inschakelt. Zo worden eventueel stof en residu verwijderd die zijn achtergebleven na het fabricageproces.

1. Haal voorzichtig alle onderdelen van de drinkfontein uit de verpakking en leg die apart voordat u de drinkfontein in elkaar zet.
2. Net als bij elk ander elektrisch apparaat moet u het netsnoer voor gebruik op scheurtjes en andere beschadigingen controleren.
3. Zorg ervoor dat het insteekcontact correct is aangesloten. Als het goed is aangesloten, kunt u het zilveren puntje niet zien.
4. Verwijder het deksel van de behuizing door uw wijsvingers in de openingen aan weerszijden van het deksel te drukken. Til het deksel op. Leg het deksel terzijde.
5. Plaats het koolstoffilter in de behuizing. Het koolstoffilter past in de twee driehoekige openingen aan de rechterzijde van de behuizing. De koolstoffilter wordt met de smalle zijde naar onderen ingestoken, waarbij de witte zijde naar de voorkant van de drinkfontein is gericht (**Afb. 1**). De koolstoffilter schuift gemakkelijk in positie, maar zorg ervoor dat u het helemaal naar beneden duwt



Belangrijk: Spoel de koolstoffilter grondig onder koud water voordat u hem in de drinkfontein plaatst. Zo wordt los koolstofpoeder verwijderd, dit is onschadelijk. Tijdens het gebruik van de koolstoffilter kan een kleine hoeveelheid koolstofpoeder vrijkomen. Dit is normaal en niet schadelijk voor uw huisdier.

6. Vul de drinkfontein met water. Vul zowel de bak als de behuizing. Zo wordt de pomp gespoeld voor gebruik.
7. Plaats het deksel van de behuizing terug door het op zijn plaats te klikken.
8. Plaats de drinkfontein op de gewenste plaats. Til een volle drinkfontein niet op aan de behuizing. **Belangrijk:** Ter bescherming van uw vloer moet u altijd een beschermende onderlegger gebruiken, zoals een handdoek of waterdichte placemat. Zo kunt u de vloer beschermen tegen water dat door uw huisdier wordt gespetterd of over de rand loopt.
9. Voordat u de drinkfontein aansluit, moet u controleren of het netsnoer, de stekker en uw handen droog zijn. Steek de stekker van de drinkfontein in een standaard stopcontact.
10. Stel de gewenste stromingsnelheid in met de knop voor stromingsregeling, die zich rechts van de opvanghelling bevindt. Als de knop voor stromingsregeling op 10 uur staat, is de stroming het laagste. Als de knop voor stromingsregeling op 2 uur staat, is de stroming het hoogste. (**Afb. 2**).



11. Vul de bak en het reservoir met zoveel water als nodig. Laat het waterpeil niet onder de knop voor stromingsregeling komen, omdat dan de pomp defect kan raken. Via de klantenservice kunt u los een vervangende pomp kopen. Bezoek onze website op www.petsafe.net voor een lijst met telefoonnummers van de klantenservice bij u in de buurt.

EN

FR

NL

ES

IT

DE

Demontage en reiniging van de drinkfontein

Belangrijk: Voor een normale werking moet de drinkfontein worden gereinigd.

KOOLSTOFFILTER: De koolstoffilter moet elke twee tot vier weken worden vervangen.

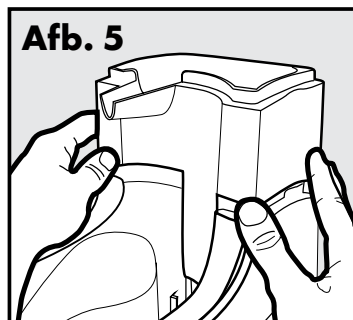
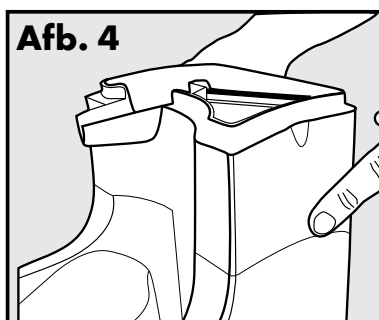
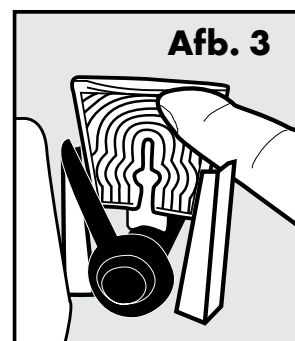
1. Vervang het koolstoffilter vaker als de drinkfontein voor meerdere huisdieren wordt gebruikt, of voor huisdieren die veel speeksel produceren.
2. De koolstoffilter is een extra functie van de drinkfontein. Het gebruik van een filter is niet vereist voor een normale werking, maar door het gebruik van een filter blijft het water in de drinkfontein schoner.
3. De koolstoffilter kan worden uitgespoeld bij reiniging van de drinkfontein. Maak het filter niet schoon met zeepwater, want de zeepresten zijn nooit compleet te verwijderen.

AANWIJZING

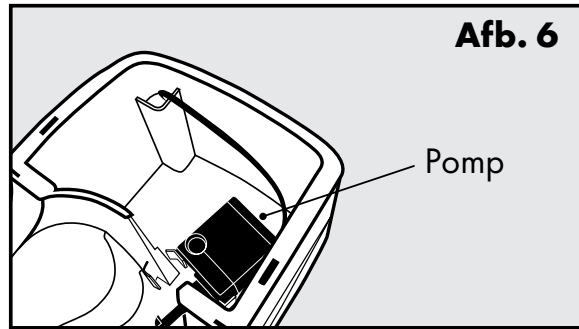
- Was de filters nooit met zeepsop, omdat zeepresten in de filters kunnen doordringen en niet kunnen worden verwijderd. Spoel de filters alleen af met water.
- Gebruik uitsluitend toegestane vervangingsfilters van het merk PetSafe®. Als niet-toegestane filters worden gebruikt, kan dit de garantie ongeldig maken.

DRINKFONTEIN VOOR HUISDIEREN: Maak de drinkfontein tenminste een keer per week schoon.

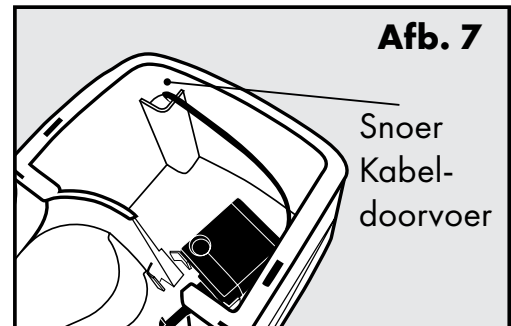
1. Haal de stekker van de drinkfontein eruit en koppel het insteekcontact los.
2. Verwijder het deksel van de behuizing en het koolstoffilter.
3. Verwijder het water uit de drinkfontein.
4. Verwijder het voorfilter, door voorzichtig de bovenste lip omhoog te trekken en deze met zeep en water te wassen (**Afb. 3**).
5. Verwijder de behuizing door aan een van de zijanten van de drinkfontein te drukken, waar de bolling bij de naad samenkomt. Til deze langzaam op (**Afb. 4 - 5**) Er zal enige weerstand zijn van de behuizing waar het insteekcontact van het water los komt van de pomp.



6. Verwijder de pomp uit de holte door uw wijsvinger achter de pomp te plaatsen en de onderkant met uw duim beet te pakken (**Afb. 6**).



7. Til de pomp recht omhoog – hier kan enige kracht voor nodig zijn totdat de zuignapjes los komen.
8. Trek het insteekcontact omhoog door het doorvoerkanaal aan de linkerzijde van de pomp. (**Afb. 7**).



9. Wanneer de drinkfontein helemaal uit elkaar is gehaald, hebt u 4 plastic onderdelen.

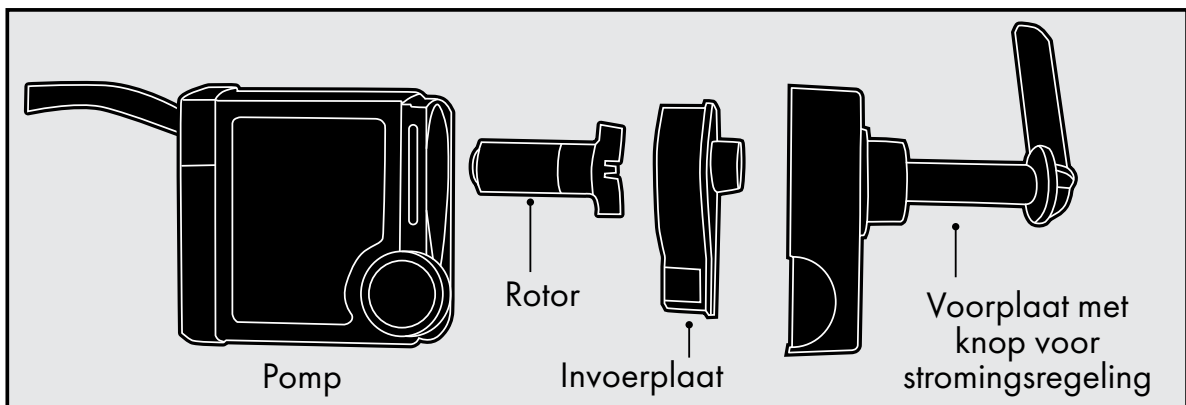
10. Maak de plastic onderdelen van de drinkfontein schoon met warm water en zeep. U kunt de drinkfontein ook in het bovenste rek van de vaatwasser zetten. Verwijder de pomp voordat u de drinkfontein in de vaatwasser zet.

PLAATS DE POMP NOOIT IN DE VAATWASSER! Als het mogelijk is, adviseren wij de vaatwasser bij lagere temperatuur te gebruiken. De drinkfontein kan ook worden gereinigd met een verdunde azijnoplossing (20% blanke azijn en 80% water). Spoel grondig na met vers water.

11. Als u bepaalde plekjes of hoekjes moeilijk kunt bereiken, kunt u een wattenstaafje proberen of de Drinkwell® reinigungsset aanschaffen, dit is een driedelige borstelset. Om de reinigungsset aan te schaffen, kunt u naar onze website op www.petsafe.com gaan om een winkel bij u in de buurt vinden of voor een lijst met telefoonnummers van de klantenservice in uw regio.

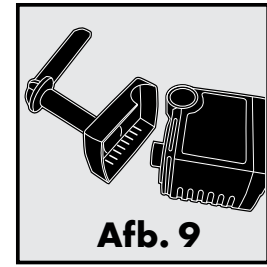
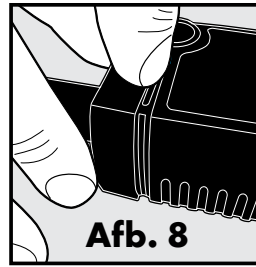
Pomponderhoud

Belangrijk: Reiniging van de pomp is essentieel om ervoor te zorgen dat de drinkfontein lang meegaat en dat het water schoon blijft. Maak de pomp elke twee weken schoon. De garantie kan vervallen als de pomp niet regelmatig wordt gereinigd..

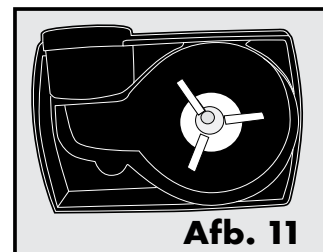
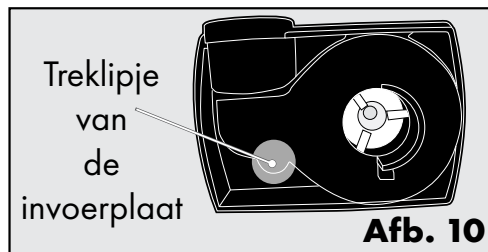


1. Verwijder het voorfilter en de behuizing van de bak.
2. Haal de pomp uit de drinkfontein zoals beschreven in het gedeelte "Reiniging en demontage van de drinkfontein".

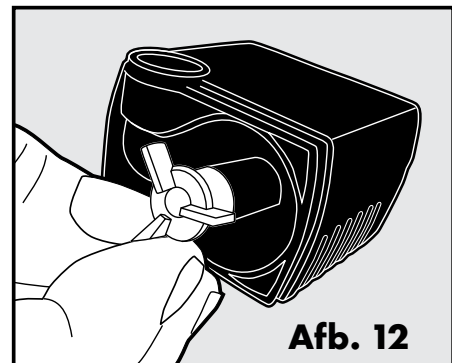
3. Als de pomp eenmaal uit de drinkfontein gehaald is, knijp dan met uw duim en wijsvinger in de zijkant van de voorplaat en trek deze eraf. Het kan nodig zijn dat u uw nagel in de naad moet steken om de voorplaat eraf te krijgen. (**Afb. 8 en 9**).



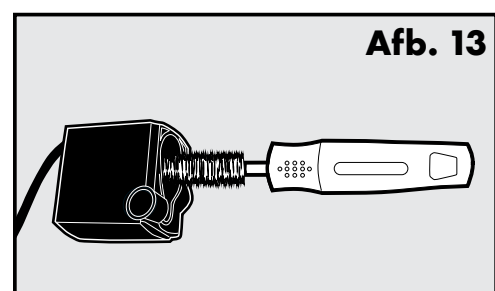
4. Vervolgens verwijdert u de invoerplaat door uw vingernagel onder het kleine randje aan de smalle zijde van het druppelvormige trekklipje van de invoerplaat te zetten en deze eruit te trekken (**Afb. 10 en 11**).



5. Als de invoerplaat is verwijderd, kunt u ook de rotor verwijderen (witte, driebladige propeller) die magnetisch in positie wordt gehouden. Voor het verwijderen van de rotor plaatst u een vingernagel onder een rotorblad en tilt u de rotor eruit (**Afb. 12**).



6. Na demontage van de pomp kunt u de onderdelen reinigen met warm water en zeep. Gebruik een wattenstaafje of de "motor"-borstel uit de Drinkwell® reinigungsset om in de motorholte te komen en aangekoekt vuil te verwijderen (**Afb. 13**). Om extra te desinfecteren en kalkaanslag te verwijderen, reinigt u de pompmotor met een verdunde azijnoplossing (20% blanke azijn en 80% water).

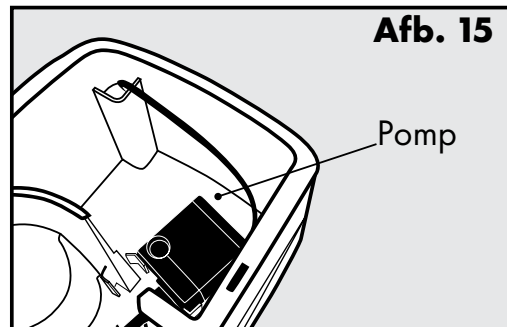
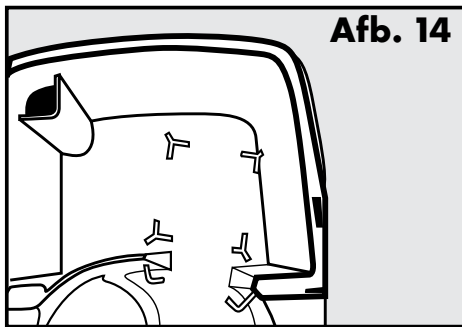


7. Als de onderdelen schoon zijn, kunt u de pomp weer in elkaar zetten.

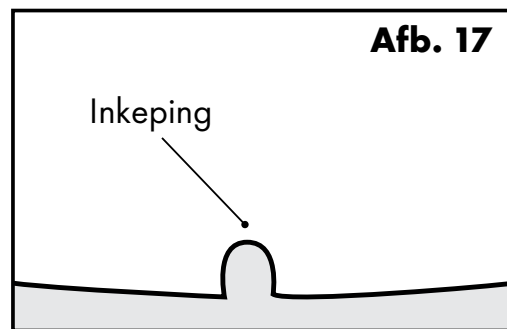
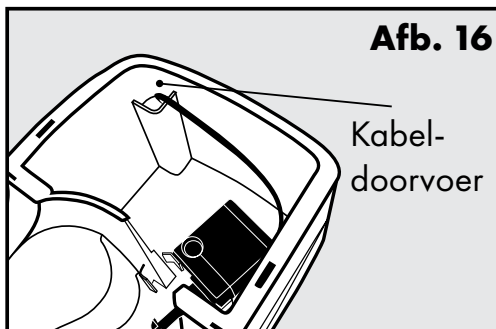
- a) Plaats de rotor terug.
- b) Plaats de Invoerplaat terug.
- c) Plaats de voorplaat terug met de knop voor stromingsregeling eraan bevestigd.

Opnieuw monteren drinkfontein voor huisdieren

1. Plaats de pomp terug op zijn plek tussen de vier pennen aan de rechterzijde van de drinkfontein. Druk voorzichtig omlaag om de zuignapjes vast te maken (**Afb. 14 en 15**).

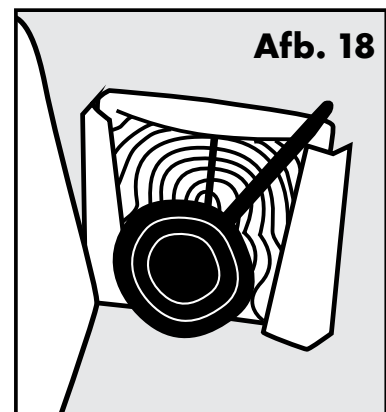


2. Steek het insteekcontact door het doorvoerkanaal links achter in de bak. (**Afb. 16**). Om zeker te zijn dat de drinkfontein stabiel is, voer het elektriciteitskoord aan de achterzijde van de drinkfontein en door de inkeping op de voet van de bak. (**Afb. 17**).



3. Om de behuizing weer te bevestigen, plaats deze over de pomp en dan over de bak. Plaats de doorvoerbuis op de juiste plek om direct in de pomp in te brengen. Duw de behuizing zachtjes omlaag en klik deze op zijn plaats.

4. Plaats het filter terug over de knop voor de stromingsregeling, door het smalle einde eerst in te voeren. Het lipje op de bovenzijde van het voorfilter moet naar de voorzijde van de drinkfontein worden gericht. Duw het voorfilter naar beneden tot het op zijn plaats klikt over de knop voor de stromingsregeling (**Afb. 18**).



5. Vervang de koolstoffilter met de witte zijde naar de voorkant van de drinkfontein in de richting van de tuit gericht.
6. Fill the Bowl and Housing with water and replace the Housing Lid.
7. Voordat u de drinkfontein aansluit, moet u controleren of het netsnoer, de stekker en uw handen droog zijn. Steek de stekker van de drinkfontein in een standaard stopcontact.
8. Stel de gewenste stromingssnelheid voor het water in met de knop voor stromingsregeling, die zich rechts van de opvanghelling in de bak bevindt. Als de knop voor stromingsregeling op 10 uur staat, is de stroming het laagste. Als de knop voor stromingsregeling op 2 uur staat, is de stroming het hoogste.

De drinkfontein en uw milieu

Als u in een vochtige omgeving woont en problemen heeft met schimmel of algen, dompel dan alle onderdelen van de drinkfontein in een azijnoplossing (20% blanke azijn en 80% water) gedurende 10 minuten na de reguliere schoonmaak. Giet deze azijnoplossing ook in de motorholte van de pomp.

In gebieden met hard water kunnen er kleine witte kalkafzettingen ontstaan op of binnen de pomp. Dit kan er uiteindelijk toe leiden dat de rotor niet meer goed draait. Neem de volgende voorzorgsmaatregelen in acht om te voorkomen dat de pomp beschadigd raakt en moet worden vervangen:

- Reinig de pomp vaker.
- Reinig de pomp elke week met een azijnoplossing.
- Gebruik flessenwater in plaats van kraanwater.

Algemene tips

- Als uw huisdier de drinkfontein voor de eerste keer ziet, kan hij of zij behoedzaam zijn ten opzichte van dit nieuwe en ongewone voorwerp. Nadat u begonnen bent om de drinkfontein te gebruiken, geef uw huisdier te ruimte om hier op zijn of haar eigen tempo aan te wennen. Voor sommige huisdieren kan het een aantal dagen duren en andere zullen er direct uit gaan drinken.
- Uw huisdier kan ook de voorkeur hebben om de drinkfontein niet op dezelfde plek als het normale voer te hebben. Probeer het op een andere locatie te plaatsen, zoals ergens anders in de keuken, in de badkamer of in een bijkeuken.
- Voeg ijsblokjes toe aan het water in de bak voor extra fris, ijskoud stromend water!

EN

FR

NL

ES

IT

DE

Probleemoplossing

De antwoorden op deze vragen helpen u bij het oplossen van eventuele problemen die u kunt hebben met de drinkfontein. Als dit niet het geval is, neem dan contact op met de klantenservice.

PROBLEEMOPLOSSING	
PROBLEEM	OPLOSSING
De pomp werkt niet of het water stroomt niet zo hard als gebruikelijk.	<ul style="list-style-type: none"> • Laat het waterniveau in de bak nooit onder het minimale vulniveau komen. Hierdoor kan de pomp namelijk oververhit raken en stoppen met werken. • Als u de drinkfontein navult, moet u ervoor zorgen dat u water toevoegt voordat u de drinkfontein inschakelt. • Als u de pomp niet regelmatig reinigt, kan deze verstopt raken met haren van uw huisdier of voedselresten. De pomp moet elke 2 tot 4 weken worden gereinigd om een goede werking te garanderen. • Vul de drinkfontein met water tot de max. vullijn.
De drinkfontein maakt herrie.	<ul style="list-style-type: none"> • Een zacht zoemend geluid is normaal, maar het mag geen herrie maken. Controleer het waterniveau. Wanneer het waterniveau te laag wordt, moet de pomp harder werken waardoor deze meer herrie maakt. • Haal de drinkfontein gedurende 15 seconden uit het stopcontact. Als de herrie niet stopt nadat u de stekker weer in het stopcontact hebt gestoken, zitten er mogelijk resten vast in de rotor. Verwijder de pomp en reinig de rotor. Probeer de magnetische pin met een wattenstaafje in te wrijven met een beetje plantaardige olie om de rotor te smeren.
Er zitten zwarte deeltjes in de bak.	<ul style="list-style-type: none"> • Dit is stof van losse houtskoolkorreltjes uit het filter en is volledig veilig voor uw huisdier om te drinken. Spoel het koolstoffilter met koud water voordat u deze weer in de drinkfontein plaatst om dit te voorkomen.
De drinkfontein voelt slijmerig aan.	<ul style="list-style-type: none"> • Als u meerdere huisdieren hebt die van de drinkfontein gebruikmaken, kan het slijmerig aanvoelen worden veroorzaakt door het speeksel van uw huisdieren. Ververs het water en reinig de fontein vaker om dit te voorkomen. • Zorg ervoor dat de onderdelen van de drinkfontein grondig worden afgespoeld nadat u de fontein hebt gereinigd. Zeepresten kunnen slijmerig worden.
De stroomadapter voelt warm aan.	<ul style="list-style-type: none"> • Ontkoppel de drinkfontein en sluit deze aan op een overspanningsbeveiliging.

De drinkfontein lekt.	<ul style="list-style-type: none"> Soms komt er water rond de drinkfontein terecht, omdat huisdieren ervan drinken. Sommige huisdieren morsen meer dan andere. Observeer uw huisdier als hij aan het drinken is, om te zien of dit de oorzaak is. Zo ja, dan kunt u een mat voor de drinkfontein of een andere waterbestendige mat kopen die u onder de drinkfontein plaatst.
De drinkfontein lijkt vuil, zelfs na schoonmaken.	<ul style="list-style-type: none"> Als de drinkfontein een witte, kalkachtige substantie bevat, kan dit een afzetting van mineralen zijn uit hard water. Om deze afzettingen te verwijderen, dient u de onderdelen van de drinkfontein te reinigen met een oplossing van 80% water en 20% azijn. Spoel alle onderdelen daarna grondig af. Gebruik gefilterd of gezuiverd water in plaats van hard kraanwater om dit te voorkomen.

Garantie

Twee jaar niet-overdraagbare beperkte garantie

Dit product heeft het voordeel van een beperkte fabrieksgarantie. Volledige informatie over de garantie die geldt voor dit product en de voorwaarden ervan vindt u op www.petsafe.net en/of zijn verkrijgbaar bij de klantenservice van uw regio.

Radio Systems PetSafe Europe Ltd., 2nd Floor, Elgee Building, Market Square, Dundalk, Co. Louth, Ierland

Conformiteit



Deze apparatuur voldoet aan richtlijnen van de EMC en de Lage Voltage Richtlijnen. Ongeoorloofde wijzigingen of aanpassingen aan het product die niet expliciet zijn goedgekeurd door Radio Systems Corporation kunnen een overtreding zijn van de EU-regelgeving, kunnen de toestemming die de gebruiker heeft tot gebruik van de apparatuur ongeldig maken en zullen de garantie nietig verklaren.

De verklaring van conformiteit is te vinden op:
http://www.petsafe.net/customer-care/eu_docs.php.



Belangrijk advies voor recycling

Respecteer de in uw land geldende regels betreffende de veilige afvoer van elektrisch afval en elektrische apparaten (WEEE). Dit apparaat dient hergebruikt te worden.

Indien u dit apparaat niet langer nodig heeft, werp het dan niet weg bij het gewone huisvuil. Breng het apparaat terug naar de plaats van aankoop, zodat het kan worden opgenomen in ons systeem van hergebruik. Als dit niet mogelijk is, neem dan contact op met de klantenservice voor meer informatie.

Gebruiksvoorwaarden en beperking van aansprakelijkheid

1. Gebruiksvoorwaarden

Dit product wordt u aangeboden onder voorwaarde van uw aanvaarding, zonder wijziging, van de bepalingen, voorwaarden en mededelingen die hierin staan.

Gebruik van dit product impliceert aanvaarding van al dergelijke bepalingen, voorwaarden en mededelingen. Indien u deze bepalingen, voorwaarden en mededelingen niet wenst te aanvaarden, verzoeken wij u het product ongebruikt, in de oorspronkelijke verpakking en voor eigen kosten terug te sturen naar de betreffende klantenservice, samen met het aankoopbewijs voor volledige restitutie.

2. Gepast gebruik

Als u er niet zeker van bent of dit product geschikt is voor uw huisdier, neem dan contact op met uw dierenarts of een gediplomeerd trainer voordat u de fontein in gebruik neemt. Correct gebruik omvat, zonder beperkingen, het doornemen van de gehele gebruiksaanwijzing en alle veiligheidsinformatie.

3. Geen onwettelijk of verboden gebruik

Dit product is alleen ontworpen voor gebruik met huisdieren. Gebruik van dit product op een wijze waarvoor het niet bedoeld is, kan de schending van nationale of plaatselijke wetten tot gevolg hebben.

4. Beperking van aansprakelijkheid

Radio Systems Corporation of één van de aangesloten bedrijven kunnen in geen enkel geval aansprakelijk gesteld worden voor (i) enige indirecte, geldelijke, incidentele, bijzondere of gevolgschade en/of (ii) enig verlies of welke schade dan ook dat/die voortvloeit uit of verband houdt met het misbruik van dit product. De koper aanvaardt alle risico's en aansprakelijkheden die samenhangen met het gebruik van dit product conform de wetgeving.

5. Wijziging van de algemene voorwaarden

Radio Systems Corporation behoudt zich het recht voor om de bepalingen, voorwaarden en mededelingen voor dit product van tijd tot tijd te wijzigen. Indien u voorafgaand aan het gebruik van dit product over dergelijke wijzigingen bent geïnformeerd, zijn deze wijzigingen bindend alsof zij hierin opgenomen waren.

INSTRUCCIONES DE SEGURIDAD IMPORTANTES

Explicación de las palabras de atención y símbolos utilizados en esta guía



Este es el símbolo de alerta de seguridad. Se utiliza para alertarle sobre riesgos de lesiones personales potenciales. Siga todos los mensajes de seguridad que aparecen a continuación de este símbolo para evitar posibles daños o la muerte.

⚠️ ADVERTENCIA

ADVERTENCIA indica una situación peligrosa que, si no se evita, podría provocar la muerte o lesiones graves.

ATENCIÓN

ATENCIÓN, utilizada sin el símbolo de alerta de seguridad, indica una situación peligrosa que, si no se evita, podría provocar daños a su mascota.

AVISO

AVISO se utiliza para referirse a prácticas no relacionadas con lesiones personales.

⚠️ ADVERTENCIA

Para reducir el riesgo de incendio, descarga eléctrica o lesiones personales cuando se usen aparatos eléctricos, se deben seguir unas medidas básicas de precaución, incluyendo las siguientes:

- Para reducir el riesgo de lesiones, es necesario supervisar con atención el aparato si lo usan niños o se usa cerca de ellos.
- Para evitar las descargas eléctricas, no introduzca el cable de alimentación eléctrica ni el enchufe en agua ni otros líquidos.
- No lo use en exteriores. SOLO PARA USO DOMÉSTICO EN INTERIORES.
- No tire del cable de alimentación eléctrica para sacar el enchufe de la toma eléctrica. Para desconectarlo, agarre directamente del enchufe, no del cable de alimentación eléctrica.
- No utilice ningún aparato si el cable de alimentación eléctrica o el enchufe están dañados, o si el dispositivo no funciona o ha sufrido desperfectos. Llame al Centro de atención al cliente de inmediato para obtener instrucciones adicionales.
- En el caso de un aparato portátil: para reducir el riesgo de descarga eléctrica, no sitúe ni guarde ningún aparato donde pueda empujarse o caerse a una bañera o una pila.
- Desenchufe siempre cualquier aparato que no use, antes de instalar o quitar componentes, y antes de limpiarlo.
- No use ningún aparato para otro fin más que para el que esté diseñado.
- Si se humedece el enchufe de este aparato, desconecte la electricidad de la toma eléctrica. No intente desenchufar el aparato.
- Examine este aparato después de su instalación. No lo conecte a la toma eléctrica si hay agua en el cable de alimentación eléctrica o en el enchufe.

EN

FR

NL

ES

IT

DE

ATENCIÓN

- No deje que las mascotas muerdan o se traguen ningún componente. Si le preocupa el cable de alimentación eléctrica, puede comprar una canaleta (un protector de plástico duro) en cualquier ferretería.
- Las piezas de plástico de la fuente para mascotas no contienen BPA. No obstante, se sabe que algunos animales son sensibles a los recipientes de plástico para comida y agua. Si su mascota muestra síntomas de reacción alérgica al plástico, deje de usar el producto hasta que haya consultado a su veterinario.

AVISO

- La fuente para mascotas está diseñada para funcionar de forma continua (constantemente enchufada a una toma eléctrica), siempre que se mantenga el nivel de agua y la fuente para mascotas se limpie con frecuencia. Asegúrese de comprobar la fuente para mascotas con regularidad para evitar que se dañe la bomba, ya que el agua se puede consumir o evaporar y la bomba funcionaría en seco.
- No intente reparar la bomba.
- Para evitar que se humedezcan el enchufe y la toma eléctrica, esta debe estar siempre situada por encima del nivel de agua de la fuente para mascotas.
- Si es necesario usar un cable alargador, debe emplearse uno con las características nominales adecuadas.
- El consumo eléctrico de este aparato es de 2,5 vatios.
- El uso de accesorios no recomendados o vendidos por otros fabricantes podría afectar al funcionamiento seguro del aparato. No modifique el aparato.
- No instale o guarde el aparato donde quede expuesto a la intemperie o a temperaturas inferiores a 4,5 °C.
- Lea y siga todos los avisos importantes del aparato y del envase.
- No lave nunca los filtros con agua jabonosa ya que quedarán restos de jabón que no podrán eliminarse. Enjuague los filtros solo con agua.
- Use sólo filtros de repuestos autorizados de la marca PetSafe®. Si se utilizan filtros no autorizados se puede anular la garantía.

CONSERVE ESTAS INSTRUCCIONES

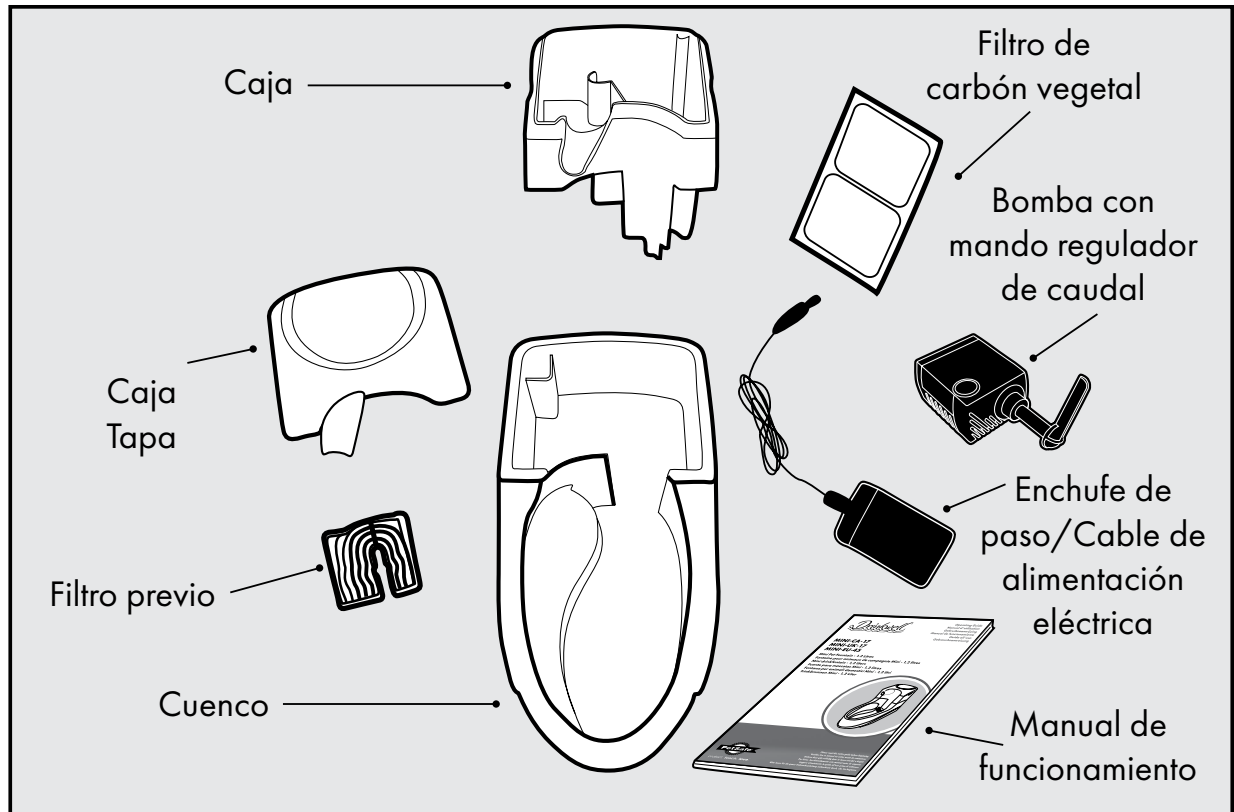
Gracias por elegir la marca PetSafe®. Usted y su mascota se merecen una relación que incluya momentos memorables y un entendimiento mutuo. Nuestros productos y herramientas de adiestramiento mejoran la relación entre las mascotas y sus propietarios. **Si tiene alguna pregunta sobre nuestros productos o sobre el adiestramiento de su mascota, visite nuestro sitio web, www.petsafe.net, o bien póngase en contacto con nuestro Centro de atención al cliente. Para obtener un listado de los números de teléfono de los Centros de Atención al Cliente visite nuestro sitio web www.petsafe.net.**

Para obtener la mayor protección de su garantía, registre el producto dentro de los 30 días posteriores a su compra en www.petsafe.net. Con el registro y conservando su recibo de compra, disfrutará de la garantía total del producto y, si tuviera necesidad de contactar con el Centro de atención al cliente, podremos ayudarle con mayor rapidez. Y, lo que es más importante, su valiosa información personal nunca se cederá ni venderá a nadie. La descripción completa de la garantía está disponible en el sitio www.petsafe.net.

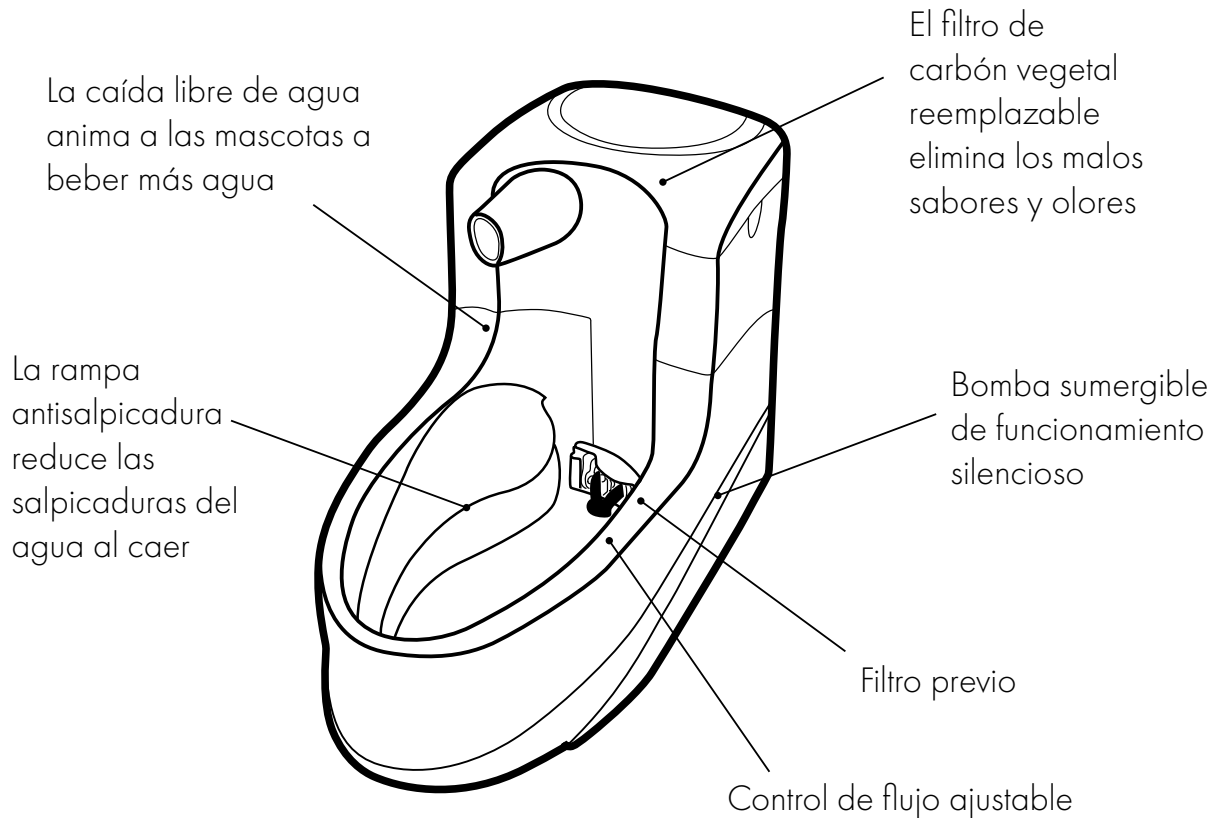
Índice

Componentes	48
Características	48
Definiciones clave	49
Instrucciones de funcionamiento	50
Desmontaje y limpieza de la fuente para mascotas	51
Mantenimiento de la bomba	53
Montaje de la fuente para mascotas	54
La fuente para mascotas y el medio ambiente	55
Consejos	56
Resolución de problemas	56
Garantía	57
Conformidad	58
Aviso importante sobre el reciclaje	58
Términos de uso y limitación de responsabilidad	59

Componentes



Características



Capacidad de agua: 1,2 litros

Sistema de baja tensión (12 V)

Definiciones clave

Caja: el agua se bombea hacia arriba por la caja, pasa por el filtro de carbón vegetal y sale por la boca de salida para crear una cascada en el cuenco.

Tapa de la caja: la tapa de la caja se cierra a presión sobre esta y evita que las mascotas accedan al filtro de carbón vegetal.

Filtro de carbón vegetal: el filtro de carbón vegetal de 3 capas está compuesto de carbón granulado procedente de cáscaras de coco. El filtro de carbón vegetal absorbe los malos sabores y olores del agua cuando lo atraviesa, y ayuda a mantener su sabor fresco para hacerla más atractiva para las mascotas.

Cuenco: el cuenco es la base de la fuente para mascotas. Aloja la bomba y tiene un orificio por el que pasar el cable de alimentación eléctrica para ocultarlo de la vista.

Filtro previo: es una pequeña rejilla de admisión que atrapa las partículas de gran tamaño, como el pelo, los residuos y el pienso, antes de que lleguen al filtro de carbón vegetal.

Mando regulador de caudal: el mando negro que se acopla a la placa frontal y ajusta el caudal del agua. El mando regulador de caudal se puede retirar extrayendo la bomba (si desea conocer las instrucciones detalladas, consulte la sección "Mantenimiento de la bomba").

Bomba: la bomba de acuario pequeña sumergible se puede desmontar para limpiarla. LA BOMBA NO SE PUEDE LIMPIAR EN EL LAVAVAJILLAS. Quite la bomba de la fuente para mascotas antes de limpiarla (si desea conocer las instrucciones detalladas, consulte la sección "Mantenimiento de la bomba"). La bomba también tiene un enchufe de paso extraíble para acoplarla y retirarla con facilidad.

EN

FR

NL

ES

IT

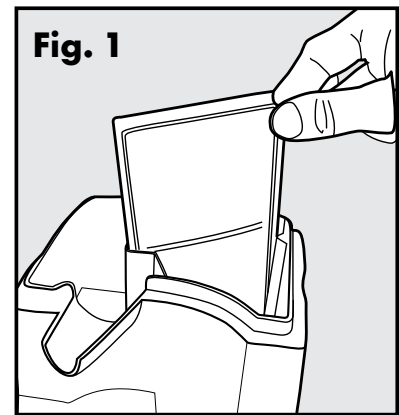
DE

Instrucciones de funcionamiento

Importante: NO PONER EN FUNCIONAMIENTO SIN AGUA. SOLO PARA USO EN INTERIORES. La fuente para mascotas se presenta completamente montada y lista para su uso.

Nota: Aclare todas las piezas de la fuente con agua caliente antes de operar la fuente para mascotas. Esto eliminará el polvo o los residuos que permanezcan en el sistema debido al proceso de fabricación.

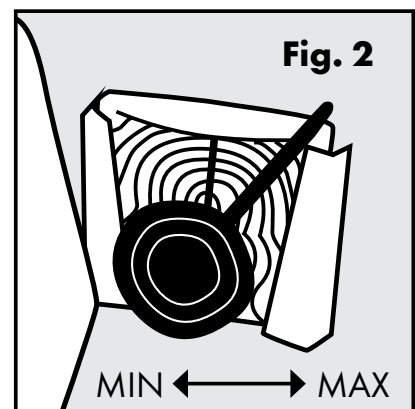
1. Saque con cuidado todos los componentes de la fuente para mascotas del envase y apártelos antes de montarlos.
2. Como con cualquier dispositivo eléctrico, compruebe que el cable de alimentación eléctrica no tenga arañazos ni daños antes de usarlo.
3. Asegúrese de que el enchufe de paso esté totalmente conectado. Si se encuentra correctamente conectado, la punta plateada no se ve.
4. Para quitar la tapa de la caja, sitúe los índices en las ranuras grabadas en cada lado de la misma y tire de ella hacia arriba. Aparte la tapa de la caja.
5. Introduzca el filtro de carbón vegetal en la caja. El filtro de carbón vegetal se encaja en las dos ranuras triangulares situadas en el lado derecho de la caja. El filtro de carbón vegetal encaja con el lado estrecho hacia abajo y el lado blanco orientado hacia la parte frontal de la fuente para mascotas (**Fig. 1**). El filtro de carbón vegetal se desliza fácilmente en su posición, pero debe cerciorarse de presionarlo hasta el fondo.



Importante: enjuague bien el filtro de carbón vegetal con agua fría antes de colocarlo en la fuente para mascotas. De este modo, eliminará cualquier resto de polvo de carbón vegetal suelto, que resulta inofensivo.

Es posible que se libere una pequeña cantidad de polvo de carbón vegetal durante toda la vida útil del filtro de carbón vegetal. Esto es normal y no es perjudicial para su mascota.

6. Llene con agua la fuente para mascotas, que incluye el cuenco y la caja. Así se cebará la bomba.
7. Ponga de nuevo la tapa de la caja y acóplela a presión en su posición.
8. Coloque la fuente para mascotas donde desee ubicarla. No levante una fuente para mascotas llena tirando de la caja. **Importante:** para proteger el suelo, utilice siempre una superficie protectora, como una toalla o una base resistente al agua. Esto contribuirá a proteger el suelo de cualquier salpicadura o derrame causados por su mascota.
9. Antes de enchufar la fuente para mascotas, asegúrese de que el cable de alimentación eléctrica, el enchufe y sus manos estén secos. Enchufe la fuente para mascotas en una toma eléctrica estándar.
10. Ajuste el caudal que desee con el mando regulador de caudal, que se encuentra a la derecha de la rampa antisalpicadura. Cuando el mando regulador de caudal se encuentre en la posición de las 10 en punto, el caudal se encontrará en su punto más bajo. Cuando el mando regulador de caudal se encuentre en la posición de las 2 en punto, el caudal se encontrará en su punto más alto (**Fig. 2**).
11. Añada el agua necesaria al cuenco y al depósito. No deje que el nivel del agua caiga por debajo del mando regulador de caudal; de lo contrario, podría



producirse un fallo de la bomba. Puede adquirir bombas de repuesto por separado poniéndose en contacto con el Centro de atención al cliente. Para obtener una lista con el número de teléfono del Centro de atención al cliente más cercano, visite nuestro sitio web www.petsafe.net.

EN

FR

NL

ES

IT

DE

Desmontaje y limpieza de la fuente para mascotas

Importante: para que funcione siempre con normalidad, la fuente para mascotas debe limpiarse.

FILTRO DE CARBÓN VEGETAL: el filtro de carbón vegetal debe cambiarse cada dos a cuatro semanas.

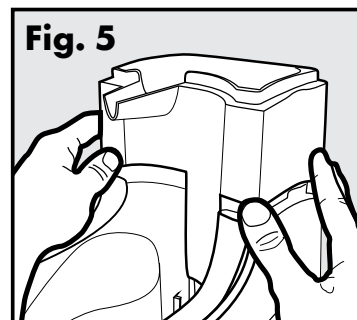
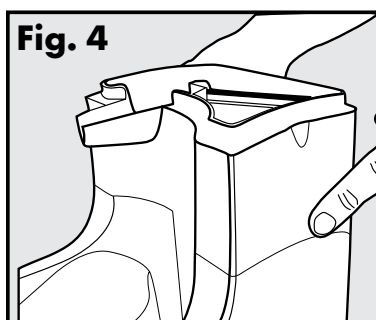
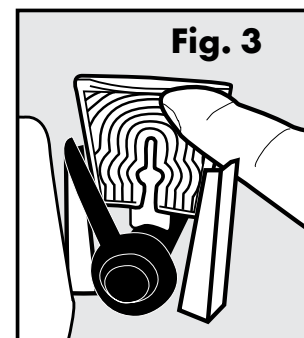
1. Cambie el filtro de carbón vegetal con más frecuencia si usa la fuente para mascotas para más de un animal o para mascotas que salivan mucho.
2. El filtro de carbón vegetal es una característica adicional de la fuente para mascotas. No es necesario utilizar un filtro para lograr que la unidad funcione con normalidad pero, si se usa, el agua de la fuente para mascotas se mantiene más limpia.
3. El filtro de carbón vegetal se puede enjuagar cuando limpie la fuente para mascotas. Nunca lave el filtro con agua y jabón, ya que no será capaz de eliminar los residuos de jabón.

AVISO

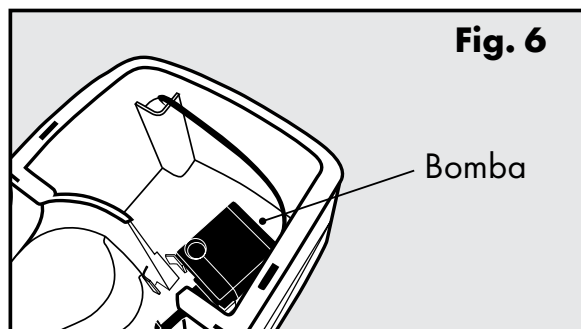
- No lave nunca los filtros con agua jabonosa ya que quedarán restos de jabón que no podrán eliminarse. Enjuague los filtros solo con agua.
- Use sólo filtros de repuestos autorizados de la marca PetSafe®. Si se utilizan filtros no autorizados se puede anular la garantía.

FUENTE PARA MASCOTAS: Limpie la fuente para mascotas una vez a la semana.

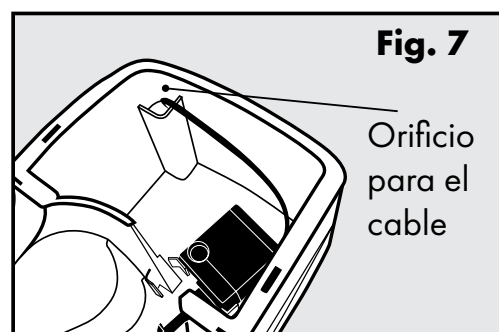
1. Desenchufe la fuente para mascotas de la toma de corriente y desconecte el enchufe de paso.
2. Retire la tapa de la caja y el filtro de carbón vegetal.
3. Vacíe la fuente para mascotas.
4. Retire el filtro previo tirando despacio hacia arriba del borde superior del mismo, y limpie con agua y jabón (**Fig. 3**).
5. Retire la caja presionando despacio en ambos lados de la fuente para mascotas donde la parte curva se encuentra con la unión. Levántela despacio hacia arriba (**Fig. 4 y 5**). Notará cierta resistencia en el lado derecho de la caja a medida que el tubo de admisión de agua se separe de la bomba.



6. Retire la bomba de su cavidad colocando el dedo índice detrás de la bomba y agarrando la parte inferior con el pulgar (**Fig. 6**).



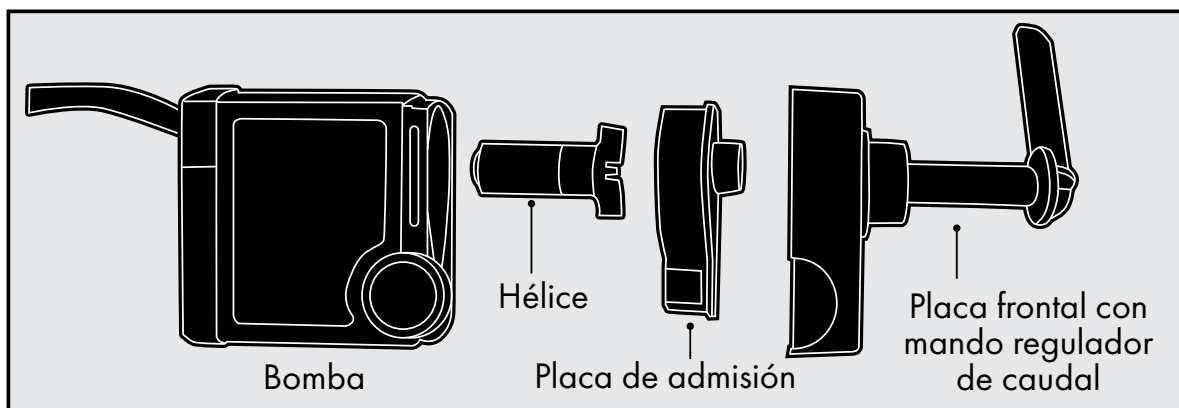
7. Levante la bomba tirando en vertical (es posible que deba aplicar una ligera fuerza hasta que se suelten las ventosas).
8. Tire del enchufe de paso y páselo a través del orificio para el cable situado en el lado izquierdo de la bomba (**Fig. 7**).



9. Cuando la fuente para mascotas esté totalmente desmontada, tendrá 4 piezas de plástico.
10. Limpie las piezas de plástico de la fuente para mascotas con jabón y agua tibia. También puede colocar la fuente para mascotas en el estante superior del lavavajillas. Retire la bomba antes de poner la fuente para mascotas en el lavavajillas. **NO PONGA NUNCA LA BOMBA EN EL LAVAVAJILLAS.** Si es posible, se recomienda que baje la temperatura del agua del lavavajillas. La fuente para mascotas también se puede limpiar con una solución de vinagre diluido (20% de vinagre blanco y 80% de agua). Asegúrese de enjuagar bien con agua limpia.
11. Si tiene problemas para llegar a ciertos lugares o a las esquinas de difícil acceso, utilice una torunda de algodón o adquiera el Kit de limpieza Drinkwell®, un juego de 3 cepillos. Si desea adquirir un kit de limpieza, buscar una tienda en su localidad o ver el listado de los números telefónicos del Centro de atención al cliente de su área, visite nuestro sitio web www.petsafe.net.

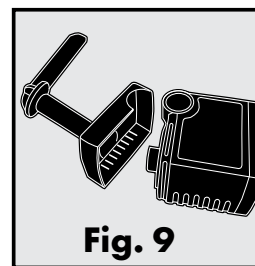
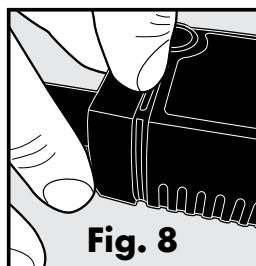
Mantenimiento de la bomba

Importante: para prolongar la vida útil de la fuente para mascotas y mantener limpia el agua es esencial limpiar la bomba. Limpie la bomba cada dos semanas. La garantía puede quedar anulada si el motor de la bomba no se limpia.

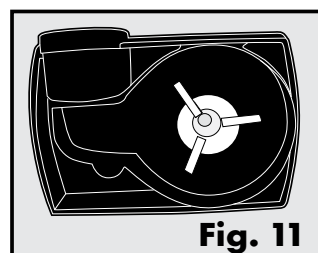
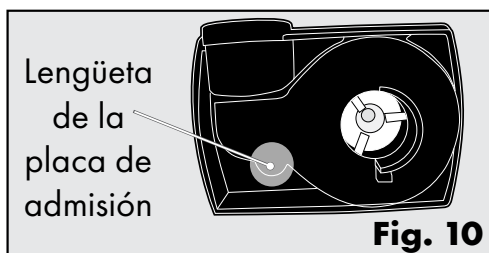


1. Retire el filtro previo y la caja del cuenco.
2. Retire la bomba de la fuente para mascotas como se explica en la sección "Desmontaje y limpieza de la fuente para mascotas".

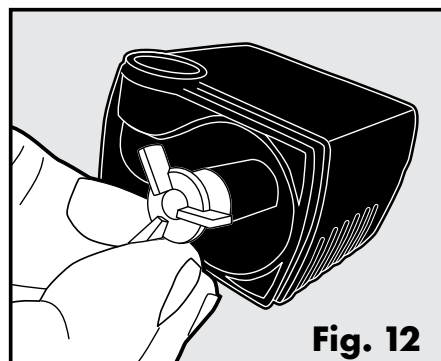
3. Una vez que la bomba se encuentre fuera de la fuente para mascotas, apriete suavemente con el pulgar y el índice a cada lado de la placa frontal y tire de ella. Puede que tenga que introducir la uña en la unión de la placa frontal para hacer palanca (**Fig. 8 y 9**).



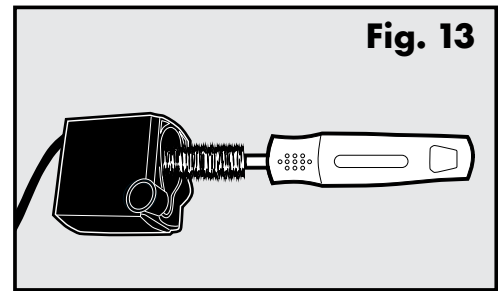
4. Saque la placa de admisión; para ello, ponga la uña detrás del pequeño saliente situado en la parte estrecha de la lengüeta con forma de lágrima de la placa de admisión y tire de ella para sacarla (**Fig. 10 y 11**).



5. Una vez retirada la placa de admisión, también puede extraer la hélice (hélice de 3 palas blancas), que se mantiene unida magnéticamente al sistema. Para retirar la hélice, introduzca una uña por debajo de una pala y levántela (**Fig. 12**).



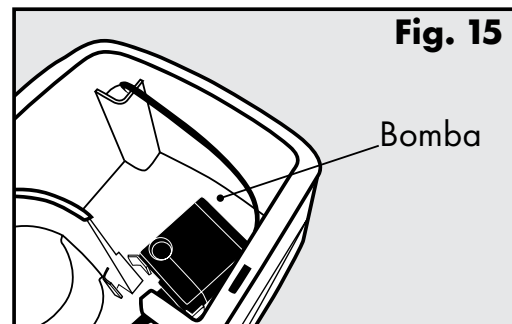
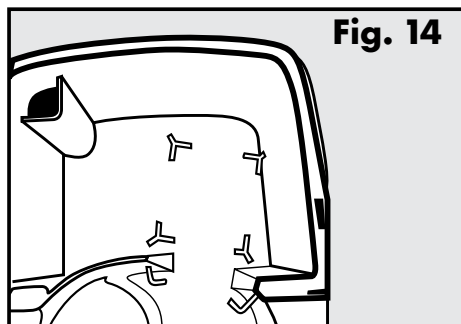
6. Cuando la bomba esté desmontada, proceda a limpiar las piezas con jabón y agua tibia. Use una torunda de algodón o el cepillo para el motor del Kit de limpieza Drinkwell® para acceder a la cavidad para el motor la bomba, y limpie cualquier residuo acumulado (**Fig. 13**). Para lograr una mayor desinfección y eliminar la dureza del agua, limpie el motor de la bomba con una solución de vinagre diluido (20% de vinagre blanco y 80% de agua).



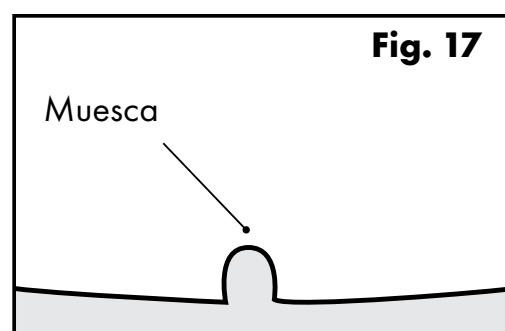
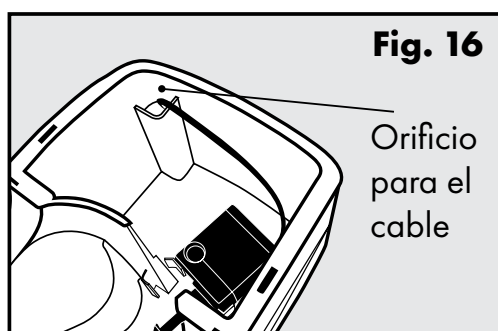
7. Cuando todos los componentes estén limpios, puede volver a montar la bomba para usarla.
- Vuelva a montar la hélice.
 - Vuelva a montar la placa de admisión.
 - Vuelva a montar la placa frontal con el mando regulador de caudal.

Montaje de la fuente para mascotas

1. Vuelva a poner la bomba en su lugar entre los cuatro postes del lado derecho del cuenco de la fuente para mascotas. Empuje suavemente hacia abajo la bomba para que las ventosas queden adheridas (**Fig. 14 y 15**).

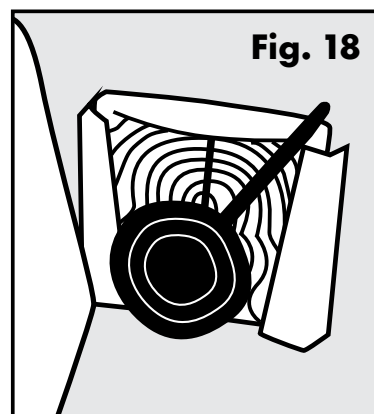


2. Pase el enchufe de paso a través del orificio para el cable situado en la esquina izquierda posterior del cuenco (**Fig. 16**). Para asegurarse de que el cuenco de la fuente para mascotas sea estable, dirija el cable de alimentación eléctrica a lo largo de la parte posterior de la fuente para mascotas y a través de la muesca situada en la base del cuenco (**Fig. 17**).



3. Para acoplar la caja, alinéela sobre la bomba y después alinee el cuenco. Alinee en vertical el tubo de admisión para ajustarlo directamente en la bomba. Una vez que esté en su posición, presione despacio hacia abajo la caja para acoplarla en su lugar.

4. Vuelva a montar el filtro previo sobre el mando regulador de caudal deslizándolo el extremo estrecho primero. El borde superior del filtro previo debe estar orientado hacia la parte frontal de la fuente para mascotas; presiónelo hacia abajo para acoplarlo a presión en su posición sobre el mando regulador de caudal (**Fig. 18**).



5. Vuelva a poner el filtro de carbón vegetal, con el lado blanco orientado hacia la parte frontal de la fuente para mascotas hacia la boca de salida.
6. Llene el cuenco y la caja con agua y coloque la tapa de la caja.
7. Antes de enchufar la fuente para mascotas, asegúrese de que el cable de alimentación eléctrica, el enchufe y sus manos estén secos. Enchufe la fuente para mascotas en una toma eléctrica estándar.
8. Ajuste el caudal que desee con el mando regulador de caudal, que se encuentra a la derecha de la rampa antisalpicadura. Cuando el mando regulador de caudal se encuentre en la posición de las 10 en punto, el caudal se encontrará en su punto más bajo. Cuando el mando regulador de caudal se encuentre en la posición de las 2 en punto, el caudal se encontrará en su punto más alto.

La fuente para mascotas y el medio ambiente

Si vive en un entorno húmedo y tiene problemas de hongos o algas, deje en remojo todos los componentes de la fuente para mascotas en una solución de vinagre diluido (20% de vinagre blanco y 80% de agua) durante 10 minutos después de la limpieza normal. Vierta también solución de vinagre en la cavidad del motor de la bomba.

Si vive en una zona con agua dura, se pueden formar depósitos blancos de minerales sobre o dentro de la bomba. Este hecho podría impedir que la hélice gire adecuadamente. Para evitar que la bomba sufra daños o que sea necesario reemplazarla, tome las siguientes precauciones:

- Limpie la bomba con más frecuencia.
- Limpie la bomba con una solución de vinagre diluido cada semana.
- Use agua embotellada en vez de agua del grifo.

Consejos

- Cuando le muestre por primera vez la fuente para mascotas, su mascota podría mostrar cautela ante este objeto nuevo y raro. Después de ponerla en funcionamiento, sencillamente deje que su mascota se acostumbre a su propio ritmo. Algunas mascotas tardan varios días o más tiempo en empezar a usarla, y otras lo hacen de inmediato.
- Tal vez su mascota prefiera tener la fuente para mascotas situada lejos de la zona donde se alimenta normalmente. Intente situarla en otra ubicación, como un lugar distinto de la cocina o en un baño o una habitación multiusos.
- ¡Añada cubitos de hielo al cuenco si quiere refrescar el agua corriente!

Resolución de problemas

Las respuestas a estas preguntas deberían ayudarle a solucionar la mayoría de los problemas que pudiera tener con la Fuente para mascotas. En caso contrario, contacte con nuestro Centro de atención al cliente.

RESOLUCIÓN DE PROBLEMAS	
PROBLEMA	SOLUCIÓN
La bomba no funciona o el agua no fluye tanto como solía hacerlo.	<ul style="list-style-type: none"> • No deje nunca que el nivel del agua del cuenco baje por debajo del nivel mínimo de llenado. Esto puede hacer que la bomba se sobrecaliente y deje de funcionar. • Cuando rellene la fuente para mascotas, asegúrese de añadir el agua antes de encenderla. • La falta de limpieza regular puede hacer que la bomba se obstruya con el pelo de las mascotas y los restos de comida. La bomba se debe limpiar cada 2-4 semanas para asegurar su correcto funcionamiento. • Llene la fuente para mascotas con agua hasta la línea de llenado máximo.
La fuente para mascotas hace ruido.	<ul style="list-style-type: none"> • Es normal un ruido de zumbido bajo, pero no debe ser fuerte. Compruebe el nivel del agua. Si el nivel del agua es demasiado bajo, entonces la bomba tendrá que trabajar más, y por ello emitirá más ruido de lo normal. • Desenchufe la fuente para mascotas durante 15 segundos. Si el ruido no para cuando vuelve a enchufar, es posible que haya algunos restos en la hélice. Retire la bomba y limpie la hélice. Frote una pequeña cantidad de aceite vegetal en el pasador magnético con un hisopo de algodón para lubricar la hélice.

Hay partículas negras en el cuenco.	<ul style="list-style-type: none"> Se trata polvo de carbón granulado suelto del filtro y es totalmente inofensivo para su mascota si lo bebe. Aclare el filtro de carbón vegetal con agua fría antes de colocarlo en la fuente para mascotas para evitarlo.
La fuente para mascotas tiene un aspecto viscoso.	<ul style="list-style-type: none"> Si tiene varias mascotas que utilizan la fuente para mascotas, el aspecto viscoso puede ser causado por la saliva de su mascota. Cambie el agua y limpie la fuente con más frecuencia para evitarlo. Asegúrese de que las piezas de la fuente para mascotas se aclaren bien después de limpiar la fuente. Los residuos de jabón pueden causar la viscosidad.
El adaptador de corriente está caliente al tacto.	<ul style="list-style-type: none"> Desenchufe la fuente para mascotas y enchúfela a un protector contra sobretensiones.
La fuente para mascotas gotea.	<ul style="list-style-type: none"> A veces el agua alrededor de la fuente para mascotas se debe a la forma de beber de las mascotas. Algunas mascotas son propensas a derramar. Observe a su mascota cuando bebe para ver si ésta es la causa. Si es así, puede comprar una alfombra de fuente para mascotas u otro tapete resistente al agua para colocar debajo de la fuente para mascotas.
La fuente para mascotas parece estar sucia incluso tras limpiarla.	<ul style="list-style-type: none"> Si hay una sustancia calcárea blanca en la fuente para mascotas, su fuente para mascotas puede tener una acumulación de depósitos minerales del agua dura. Para eliminar estos depósitos, limpie las piezas de la fuente para mascotas con una solución de 80% de agua y 20% de vinagre. Después aclare bien todas las piezas. Para evitar que esto suceda, utilice agua filtrada o purificada en lugar del agua dura del grifo.

Garantía

Garantía de dos años no transferible limitada

Este producto cuenta con el beneficio de una garantía limitada del fabricante. Puede encontrar toda la información de la garantía aplicable a este producto, así como sus términos, en www.petsafe.net y también estarán disponibles al contactar con su Centro de atención al cliente local.

Radio Systems PetSafe Europe Ltd., 2nd Floor, Elgee Building, Market Square,
Dundalk, Co. Louth, Irlanda

EN

Conformidad

CE

FR

Este equipo cumple con las directivas de EMC y baja tensión. Los cambios o modificaciones sin autorización realizados al producto que no estén aprobados por Radio Systems Corporation podrían incumplir los reglamentos de la UE, podrían anular la autoridad del usuario para usar el equipo y anularán la garantía.

NL

La declaración de conformidad se puede encontrar en:
http://www.petsafe.net/customer-care/eu_docs.php.

ES



Aviso importante sobre el reciclaje

Respete las normas relativas a la eliminación de residuos de equipos eléctricos y electrónicos de su país. Este equipo debe ser reciclado. Si no necesita más este equipo, no lo tire a la basura convencional. Devuélvalo a la tienda donde lo compró para que pueda ser incluido en nuestro sistema de reciclado. Si esto no es posible, póngase en contacto con el Centro de Atención al Cliente para obtener más información.

IT

DE

Términos de uso y limitación de responsabilidad

1. **Términos de uso**

El uso de este Producto está sujeto a su aceptación sin modificación de los términos, las condiciones y las notificaciones aquí incluidos. El uso de este producto implica la aceptación de dichos términos, condiciones y avisos. Si no desea aceptar estos términos, condiciones y notificaciones, devuelva el producto, sin utilizar, en su paquete original, con portes pagados y asumiendo el riesgo del envío al Centro de Atención al Cliente pertinente, junto con la prueba de compra para obtener la devolución total del importe.

2. **Uso correcto**

Si no está seguro de si este Producto es apropiado para su mascota, consulte con su veterinario o un adiestrador certificado antes de usarlo. El uso correcto incluye, sin limitación, la revisión de este manual de funcionamiento y de cualquier declaración de seguridad específica.

3. **Uso ilegal o prohibido**

Este Producto está diseñado para ser utilizado solo con mascotas. El uso de este producto de una forma que no sea la prevista podría ocasionar una infracción de las leyes federales, estatales o locales.

4. **Limitación de responsabilidad**

En ningún caso Radio Systems Corporation o cualquiera de sus empresas asociadas será responsable por (i) ningún daño indirecto, punitivo, accidental, especial o consecuente, o (ii) cualesquiera daño que resulte de o esté relacionado con el mal uso de este producto. El comprador asume todos los riesgos y responsabilidades derivadas del uso de este producto hasta el límite máximo permitido por la ley.

5. **Modificación de las condiciones generales**

Radio Systems Corporation se reserva el derecho a cambiar periódicamente las condiciones generales y notificaciones bajo las que este Producto se ofrece. Si dichos cambios le han sido notificados antes de usar este producto, serán vinculantes para usted del mismo modo que si estuvieran incluidos en este documento.

Di seguito useremo le espressioni "Noi" facendo riferimento a Radio Systems Corporation, Radio Systems PetSafe Europe Ltd., Radio Systems Australia Pty Ltd. e tutte le altre succursali o marchi di Radio Systems Corporation.

IMPORTANTI INFORMAZIONI DI SICUREZZA

Spiegazione dei termini e dei simboli di attenzione utilizzati in questa guida



È il simbolo di allerta sicurezza. Si usa per avvisare di ogni possibile rischio di infortunio alle persone. Osservare tutti i messaggi di sicurezza segnalati da questo simbolo per evitare possibili infortuni o la morte.

⚠ AVVERTENZA

AVVERTENZA indica una situazione di rischio che, se non evitata, potrebbe provocare la morte o gravi lesioni.

ATTENZIONE

ATTENZIONE, utilizzato senza il simbolo di allerta sicurezza, indica una situazione di pericolo che, se non evitata, potrebbe nuocere all'animale.

AVVISO

AVVISO si usa per indicare pratiche d'uso di sicurezza non correlate a infortuni personali.

⚠ AVVERTENZA

Nell'utilizzare dispositivi elettrici, è necessario seguire sempre le precauzioni di base di sicurezza per ridurre il rischio di incendi, scosse elettriche e/o lesioni alle persone, incluse le seguenti:

- Per ridurre il rischio di infortuni, si richiede la supervisione di un adulto quando l'apparecchio è usato da bambini o nelle loro vicinanze.
- Per evitare scosse elettriche, non introdurre il cavo di alimentazione elettrica o la spina in acqua o altri liquidi.
- Non usare all'aperto. **ESCLUSIVAMENTE PER USO DOMESTICO ALL'INTERNO.**
- Non tirare il cavo di alimentazione elettrica per rimuovere la spina da una presa elettrica. Per rimuovere la spina, afferrare la spina stessa, non il cavo di alimentazione elettrica.
- Non utilizzare mai un apparecchio se il cavo di alimentazione elettrica o la spina sono danneggiati, se non funziona correttamente o se è stato danneggiato. Chiamare immediatamente il Centro di assistenza clienti per ulteriori istruzioni.
- In caso di apparecchio portatile, per ridurre il rischio di scosse elettriche, non collocarlo o conservarlo in un luogo dal quale potrebbe cadere o essere tirato nella vasca da bagno o nel lavandino.
- Scollegare sempre l'apparecchio se non in uso, prima di installare o rimuovere componenti e prima di effettuarne la pulizia.
- Non usare l'apparecchio per utilizzi diversi da quello previsto.
- Se la spina di questo apparecchio dovesse bagnarsi, interrompere l'alimentazione elettrica alla presa di energia elettrica. Non cercare di scollegare l'apparecchio.
- Controllare questo apparecchio dopo l'installazione. Non inserire la spina nella presa di corrente se il cavo di alimentazione elettrica o la spina sono bagnati.

ATTENZIONE

- Impedire all'animale domestico di masticare o ingoiare i componenti dell'apparecchio. Se si ritiene che il cavo di alimentazione elettrica sia esposto a rischi, proteggerlo con una canalina di plastica dura, acquistabile in qualsiasi negozio di ferramenta.
- I componenti in plastica della fontana per animali domestici sono BPA-FREE (non contengono bisfenolo A). Tuttavia, alcuni animali sono sensibili ai contenitori per acqua e cibo di plastica. Se l'animale domestico presenta sintomi da reazione allergica alla plastica, interrompere l'uso dell'apparecchio fino a quando non si sia consultato un veterinario.

AVVISO

- La fontana per animali domestici è stata progettata per il funzionamento continuo (sempre collegata a una presa di alimentazione elettrica), a condizione che il livello dell'acqua venga mantenuto costante e che la fontana per animali domestici venga pulita regolarmente. Controllare la fontana per animali domestici regolarmente per evitare danni alla pompa, in quanto l'acqua potrebbe esaurirsi o evaporare causando il funzionamento a secco della pompa.
- Non cercare di riparare la pompa.
- Per evitare che la spina o la presa di alimentazione elettrica si bagnino, la presa di alimentazione elettrica deve essere sempre sopra il livello dell'acqua della fontana per animali domestici.
- Se fosse necessario l'uso di un cavo di prolunga, usare un cavo di prolunga della classe di efficienza adeguata.
- L'utilizzo elettrico di questo apparecchio è 2,5 W.
- L'uso di accessori non consigliati o non venduti dal produttore può creare condizioni pericolose. Non modificare l'apparecchio.
- Non installare o conservare l'apparecchio esposto alle intemperie o a temperature sotto i 4,5 °C.
- Leggere e osservare tutte le importanti informazioni riportate sul dispositivo e nella confezione.
- Per la pulizia dei filtri non usare mai acqua saponata, perché i residui di sapone penetrano nei filtri e non possono essere rimossi. Usare solo acqua.
- Utilizzare solo i filtri di ricambio autorizzati PetSafe®. L'utilizzo di filtri non autorizzati può invalidare la garanzia.

CONSERVARE QUESTE ISTRUZIONI

EN

FR

NL

ES

IT

DE

EN

FR

NL

ES

IT

DE

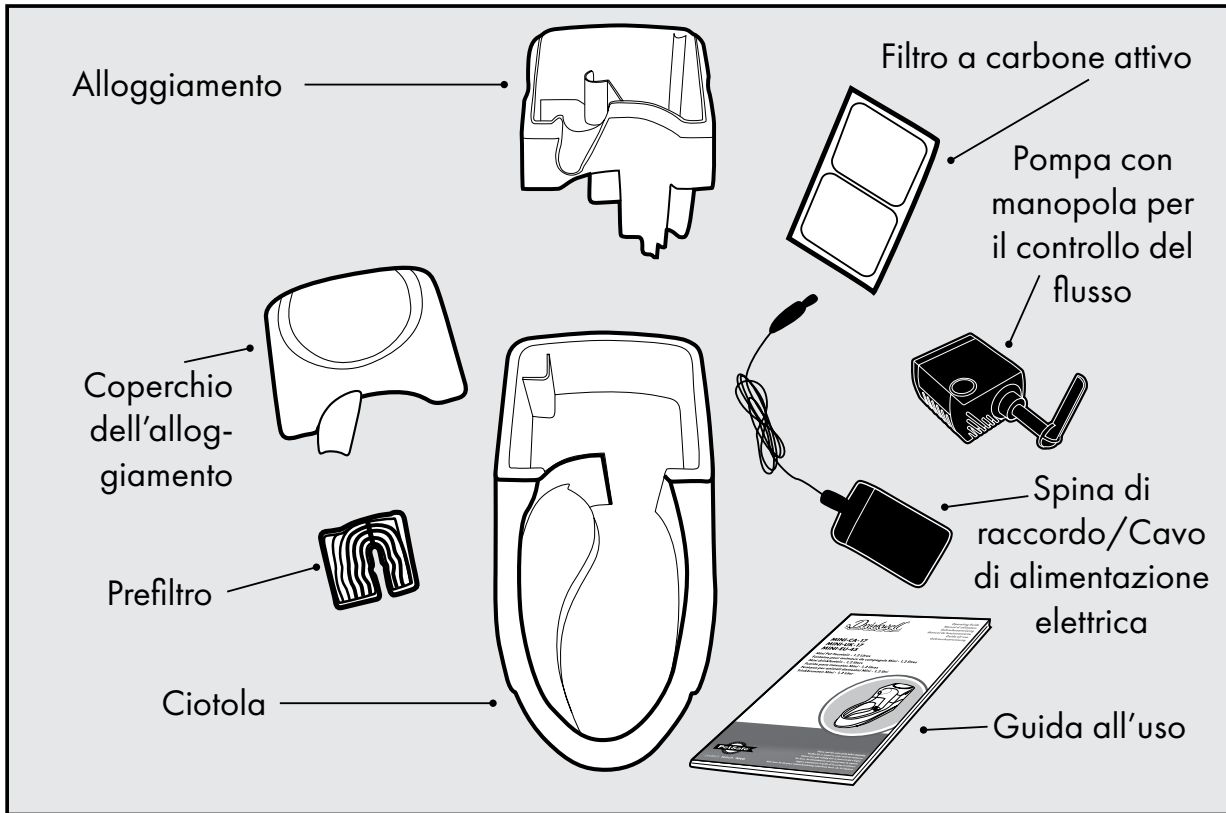
Grazie per aver scelto il marchio PetSafe®. Voi e il vostro animale meritate un'amicizia fatta di momenti indimenticabili e di comprensione reciproca. I nostri prodotti e strumenti di addestramento permettono di migliorare il rapporto tra gli animali domestici e i loro proprietari. **Per ogni domanda sui nostri prodotti o sull'addestramento del vostro cane, visitate il nostro sito all'indirizzo www.petsafe.net o interpellate il nostro Centro assistenza clienti. Per un elenco dei numeri di telefono dei Centri assistenza clienti, visitare il nostro sito web: www.petsafe.net.**

Per usufruire della copertura integrale della nostra garanzia, è necessario registrare il prodotto entro 30 giorni sul sito www.petsafe.net. Registrando il prodotto e conservando lo scontrino, potrete usufruire della garanzia completa sul prodotto e, nel caso doveste rivolgervi al Centro di assistenza clienti, saremo in grado di aiutarvi più rapidamente. È importante sottolineare che i dati sensibili dell'utente non saranno da noi mai ceduti né venduti a terze parti. Il testo completo della garanzia si trova sul nostro sito web all'indirizzo www.petsafe.net.

Indice

Componenti	63
Caratteristiche	63
Definizioni chiave	64
Istruzioni di funzionamento	65
Smontaggio e pulizia della fontana per animali domestici	66
Manutenzione della pompa	68
Riassemblaggio della fontana per animali domestici	69
La fontana per animali domestici e l'ambiente	70
Consigli di ordine generale	71
Identificazione e risoluzione dei guasti	71
Garanzia	73
Conformità	73
Avviso importante per il riciclaggio	73
Limitazione di responsabilità e condizioni di utilizzo	74

Componenti



EN

FR

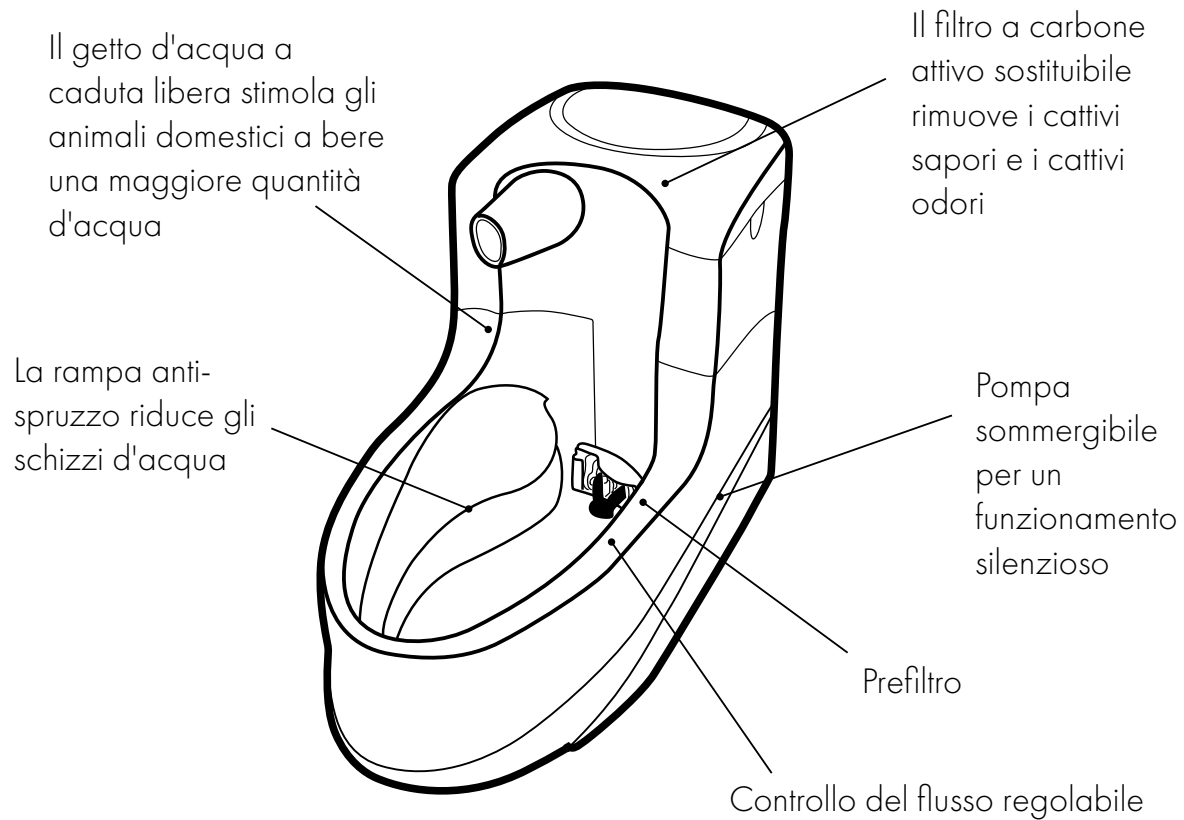
NL

ES

IT

DE

Caratteristiche



Capacità idrica 1,2 l

Impianto a bassa tensione (12 V)

EN

Definizioni chiave

Alloggiamento: l'acqua viene pompata attraverso l'alloggiamento e quindi circola attraverso il filtro a carbone attivo e fuoriesce dalla bocca di erogazione creando un effetto a cascata nella ciotola.

FR

Coperchio dell'alloggiamento: il coperchio dell'alloggiamento viene fissato a scatto sull'alloggiamento, impedendo agli animali domestici di accedere al filtro a carbone attivo.

NL

Filtro a carbone attivo: il filtro a carbone attivo a tre strati è in carbone granulare ricavato da gusci di cocco. Il filtro a carbone attivo assorbe i cattivi sapori e i cattivi odori al passaggio dell'acqua, mantenendo l'acqua fresca e più piacevole per gli animali domestici.

ES

Ciotola: la ciotola costituisce la base della fontana per animali domestici. Alloggia la pompa ed è dotata di un passacavo che consente di nascondere alla vista il cavo di alimentazione elettrica.

IT

Prefiltro: la griglia di aspirazione grande che raccoglie le particelle più grandi come i peli, i detriti e i croccantini prima che arrivino al filtro a carbone attivo.

DE

Manopola per il controllo del flusso: è la manopola nera fissata alla mascherina che regola la portata del flusso d'acqua. La manopola per il controllo del flusso può essere rimossa smontandola (vedere la sezione "Manutenzione della pompa" per le istruzioni dettagliate).

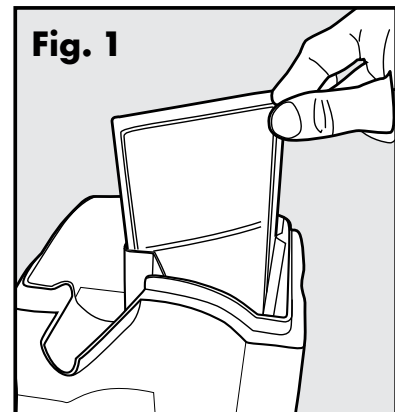
Pompa: la piccola pompa sommergibile da acquario può essere smontata per la pulizia. LA POMPA NON DEVE ESSERE LAVATA IN LAVASTOVIGLIE! Rimuovere la pompa dalla fontana per animali domestici prima di eseguirne la pulizia (fare riferimento alla sezione "Manutenzione della pompa" per istruzioni dettagliate). La pompa presenta inoltre una spina di raccordo amovibile per un facile collegamento e una altrettanto semplice rimozione.

Istruzioni di funzionamento

Importante: NON FARE FUNZIONARE A SECCO - ESCLUSIVAMENTE PER USO IN AMBIENTI CHIUSI. La fontana per animali domestici viene fornita completamente assemblata e pronta all'uso.

Nota: sciacquare tutte le parti che compongono la fontana per animali domestici con acqua tiepida prima di metterla in funzione. In questo modo verrà rimossa la polvere che rimane nel sistema durante il processo di produzione.

1. Rimuovere con cautela tutti i componenti della fontana per animali domestici dalla confezione e metterli da parte prima del montaggio.
2. Come per tutti gli apparecchi elettrici, prima dell'uso controllare che il cavo di alimentazione elettrica sia integro.
3. Controllare che la spina di raccordo sia collegata correttamente. Quando correttamente collegata, la punta argentata non è visibile.
4. Rimuovere il coperchio dell'alloggiamento mettendo le dita indice nelle scanalature su entrambi i lati del coperchio dell'alloggiamento. Sollevare. Mettere il coperchio dell'alloggiamento da parte.
5. Inserire il filtro a carbone attivo nell'alloggiamento. Il filtro a carbone attivo si inserirà nelle due scanalature triangolari ubicate sul lato destro dell'alloggiamento. Il filtro a carbone attivo deve essere installato con il lato stretto in basso e il lato bianco rivolto verso la parte anteriore della fontana per animali domestici (**Fig. 1**). Il filtro a carbone attivo si installa facilmente in sede, ma è necessario premerlo fino in fondo.



Importante: sciacquare il filtro a carbone attivo sotto acqua fredda prima di porlo nella fontana per animali domestici. Ciò consentirà di rimuovere eventuale polvere di carbone residua, che è innocua. È possibile che una piccola quantità di carbone attivo venga rilasciata nel corso della durata del filtro a carbone attivo. Ciò è normale e non rappresenta alcun pericolo per l'animale domestico.

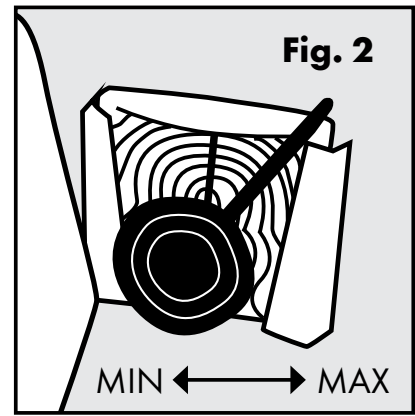
6. Riempire la fontana per animali domestici con acqua. Ciò include la ciotola e l'alloggiamento. In questo modo la pompa viene adescata.
7. Riposizionare il coperchio dell'alloggiamento e farlo scattare in sede.
8. Posizionare la fontana per animali domestici nel luogo desiderato. Non prendere l'intera fontana per animali domestici afferrandola dall'alloggiamento.

Importante: per proteggere il pavimento utilizzare sempre un tappetino protettivo come uno strofinaccio oppure una protezione impermeabile. Questo accorgimento aiuterà a proteggere il pavimento dagli schizzi e dalle fuoriuscite d'acqua provocati dall'animale domestico.

9. Prima di collegare la fontana per animali domestici all'alimentazione, controllare che il cavo di alimentazione elettrica, la spina e le mani siano asciutti. Collegare la fontana per animali domestici inserendo la spina in una presa elettrica standard.
10. Impostare la portata desiderata tramite la manopola per il controllo del flusso, ubicata alla destra della rampa anti-spruzzo. Quando la manopola per il controllo del flusso si trova sulla posizione delle ore 10, il flusso è regolato al livello più basso.

Quando la manopola per il controllo del flusso si trova sulla posizione delle ore 2, il flusso è regolato al livello più alto (**Fig. 2**).

11. Aggiungere acqua alla ciotola e al serbatoio secondo necessità. Non lasciare che il livello dell'acqua scenda al di sotto della manopola per il controllo del flusso in quanto ciò potrebbe danneggiare la pompa. Le pompe di ricambio sono vendute separatamente; per acquistarle rivolgersi a un Centro di assistenza clienti. Visitare www.petsafe.net per conoscere il numero di telefono del Centro di assistenza clienti più vicino.



Smontaggio e pulizia della fontana per animali domestici

Importante: la fontana per animali domestici deve essere pulita affinché continui a funzionare normalmente.

FILTRO A CARBONE ATTIVO: il filtro a carbone attivo deve essere sostituito ogni due o quattro settimane.

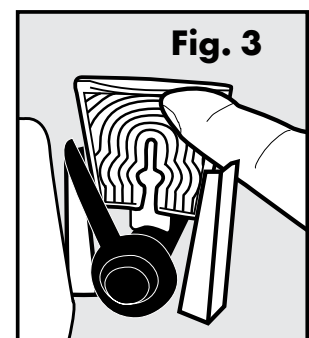
1. Sostituire il filtro a carbone attivo più frequentemente se la fontana per animali domestici viene usata per più di un animale o per animali che producono una grande quantità di saliva.
2. Il filtro a carbone attivo costituisce una caratteristica aggiuntiva della fontana per animali domestici. Il filtro non è necessario per il normale funzionamento, ma il suo utilizzo manterrà l'acqua della fontana più pulita.
3. È possibile sciacquare il filtro a carbone attivo durante la pulizia della fontana per animali domestici. Non lavare con acqua saponata in quanto non è possibile rimuovere i residui di sapone.

AVVISO

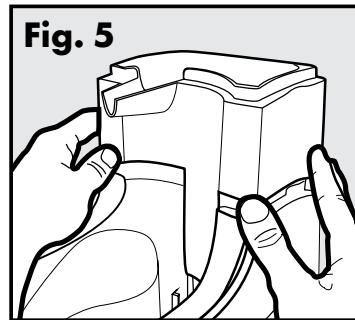
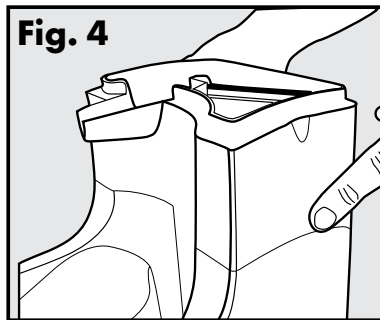
- Per la pulizia dei filtri non usare mai acqua saponata, perché i residui di sapone penetrano nei filtri e non possono essere rimossi. Usare solo acqua.
- Utilizzare solo i filtri di ricambio autorizzati PetSafe®. L'utilizzo di filtri non autorizzati può invalidare la garanzia.

FONTANA PER ANIMALI DOMESTICI: Pulire la fontana per animali domestici una volta alla settimana.

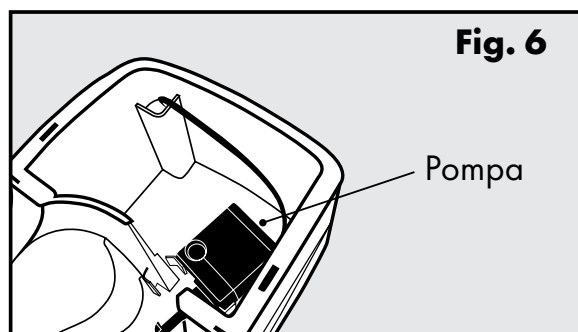
1. Togliere la spina della fontana per animali domestici e scollegare la spina di raccordo.
2. Rimuovere il coperchio dell'alloggiamento e il filtro a carbone attivo.
3. Svuotare l'acqua dalla fontana per animali domestici.
4. Rimuovere il prefiltro sollevando con cautela il bordo superiore del prefiltro e lavarlo con acqua saponata (**Fig. 3**).



5. Rimuovere l'alloggiamento premendo con cautela su entrambi i lati della fontana per animali domestici nel punto in cui la curva e la linea di giunzione si incontrano. Sollevare con cautela (**Fig. 4 e 5**). Quando il tubo di aspirazione si stacca dalla pompa, la parte destra dell'alloggiamento farà una certa resistenza.



6. Rimuovere la pompa dalla propria cavità collocando il dito indice dietro la pompa e afferrando la base con il pollice (**Fig. 6**).

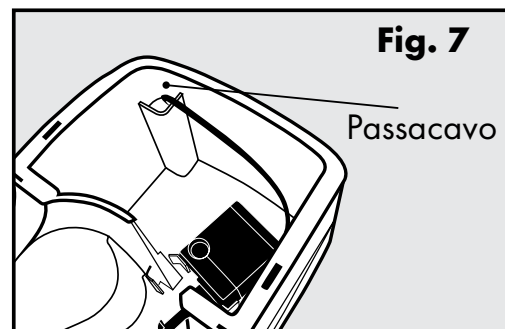


7. Sollevare la pompa verticalmente - ciò potrebbe richiedere una leggera forza fino all'avvenuto distacco delle ventose.

8. Tirare la spina di raccordo attraverso il passacavo ubicato alla sinistra della pompa (**Fig. 7**).

9. Una volta che la fontana per animali domestici è stata completamente smontata, si avranno 4 parti in plastica.

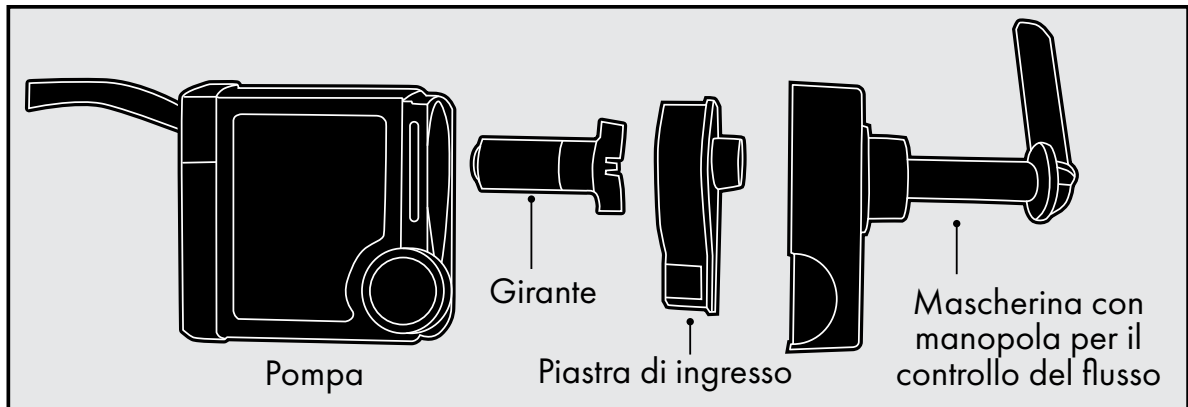
10. Pulire le parti in plastica della fontana per animali domestici con sapone e acqua calda. È possibile anche mettere la fontana per animali domestici nel cestello superiore della lavastoviglie. Rimuovere la pompa prima di mettere la fontana per animali domestici nella lavastoviglie. **NON METTERE MAI LA POMPA NELLA LAVASTOVIGLIE!** Se possibile, si raccomanda di ridurre la temperatura dell'acqua all'interno della lavastoviglie. La fontana per animali domestici può essere pulita anche con una soluzione di aceto diluita (20% di aceto bianco e 80% d'acqua). Assicurarsi di risciacquare con acqua fresca.



11. Se dovesse risultare difficile raggiungere alcuni punti e angoli, usare un cotton fioc o acquistare un kit di pulizia Drinkwell®, un kit di 3 spazzolini. Per acquistare un kit di pulizia, visitare il nostro sito Web all'indirizzo www.petsafe.net per individuare un rivenditore o per trovare il numero di telefono del Centro di assistenza clienti più vicino.

Manutenzione della pompa

Importante: la pulizia della pompa è essenziale per la durata della fontana per animali domestici e per la qualità dell'acqua. Pulire la pompa ogni due settimane. La mancata pulizia del motore della pompa può annullare la garanzia.



1. Rimuovere il prefiltro e l'alloggiamento dalla ciotola.
2. Rimuovere la pompa dalla fontana per animali domestici come descritto nella sezione "Smontaggio e pulizia della fontana per animali domestici".

3. Dopo avere rimosso dalla fontana per animali domestici la pompa, premere con il pollice e l'indice su un lato della mascherina e sollevarla. Potrebbe essere necessario infilare un'unghia nel cordolo della mascherina per sollevarla (**Fig. 8-9**).

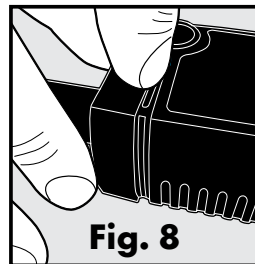


Fig. 8

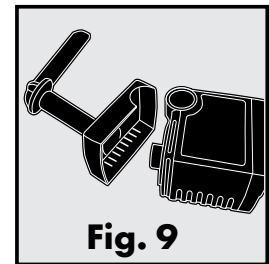


Fig. 9

4. Rimuovere la piastra di ingresso infilando un'unghia sotto il piccolo bordo sul lato stretto della linguetta a forma di goccia della piastra di ingresso e sollevarla (**Fig. 10 - 11**).



Fig. 10

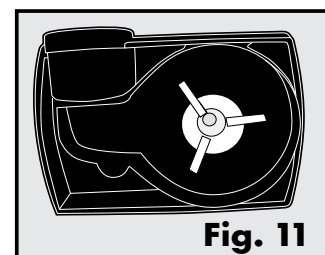


Fig. 11

5. Una volta rimossa la piastra di ingresso, è possibile anche rimuovere la girante (bianca, girante a 3 pale) che è tenuta in posizione mediante forza magnetica. Per rimuovere la girante, porre l'unghia di un dito al di sotto di una pala ed estrarla (**Fig. 12**).

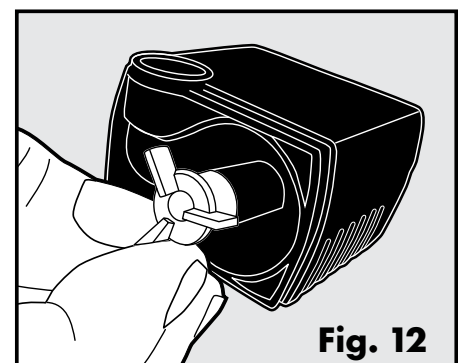
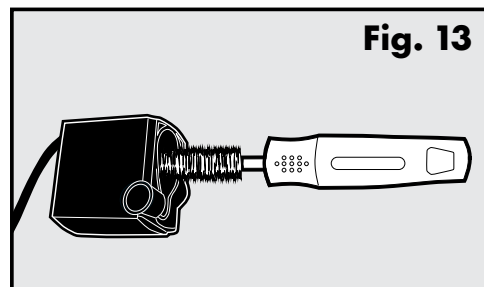


Fig. 12

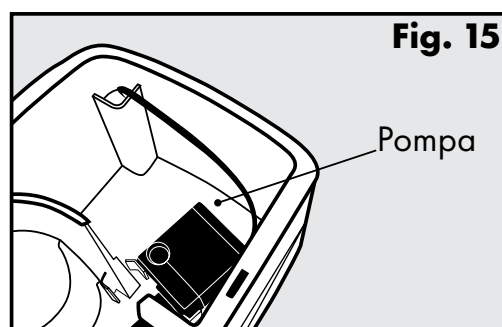
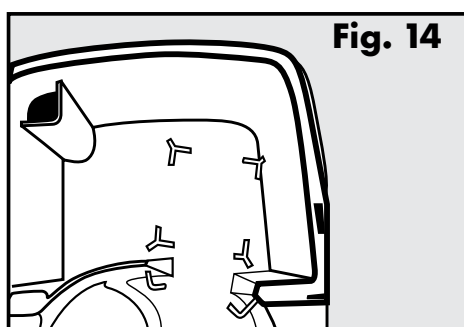
6. Una volta che la pompa è stata smontata, è possibile pulire le parti con acqua calda e sapone. Utilizzare un cotton fioc oppure lo spazzolino per motore del kit di pulizia Drinkwell® per accedere alla cavità del motore della pompa e rimuovere le incrostazioni (**Fig. 13**). Per una disinfezione aggiuntiva e per la rimozione dell'acqua dura, pulire la pompa con una soluzione di aceto diluita (20% di aceto bianco e 80% d'acqua).



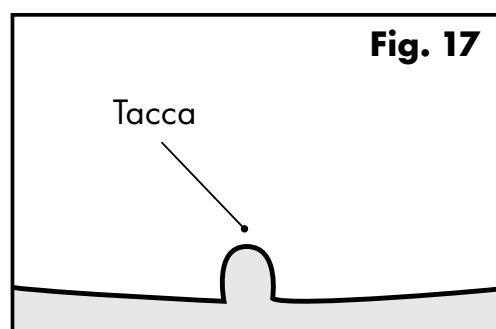
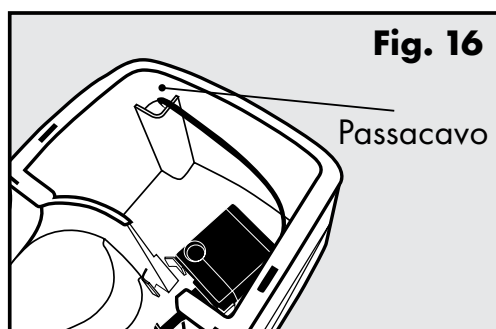
7. Una volta che le parti sono state pulite è possibile rimontare la pompa per l'uso.
- Riposizionare la girante.
 - Riposizionare la piastra di ingresso.
 - Riposizionare la mascherina con la manopola per il controllo del fusso.

Riassemblaggio della fontana per animali domestici

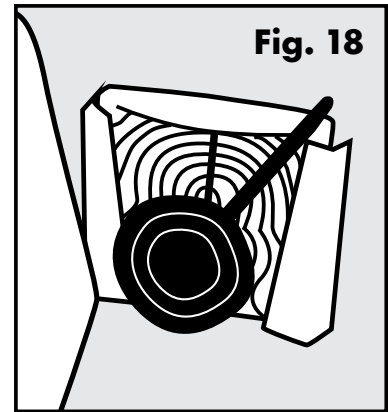
1. Riposizionare la pompa nella sua sede tra le quattro colonnine sul lato destro della ciotola della fontana per animali domestici. Premere la pompa con cautela in modo da innestare le ventose (**Fig. 14 e 15**).



2. Infilare la spina di raccordo attraverso il passacavo ubicato nell'angolo posteriore sinistro della ciotola (**Fig. 16**). Per garantire che la fontana per animali domestici sia stabile, fare passare il cavo di alimentazione elettrica lungo la parte posteriore della fontana per animali domestici e attraverso la tacca sulla base della ciotola (**Fig. 17**).



3. Per installare l'alloggiamento, allineare l'alloggiamento sulla pompa e sulla ciotola. Allineare il tubo di aspirazione in modo che si inserisca direttamente nella pompa. Una volta in posizione, premere con cautela l'alloggiamento bloccandolo in sede.
4. Riposizionare il prefiltro sulla manopola per il controllo del flusso infilando per prima l'estremità stretta. Il bordo sulla parte superiore del prefiltro deve essere rivolto verso la parte anteriore della fontana per animali domestici, premere per farlo scattare in sede sopra la manopola per il controllo del flusso (**Fig. 18**).
5. Riposizionare il filtro a carbone attivo con il lato bianco rivolto verso la parte anteriore della fontana per animali domestici in direzione della bocca di erogazione.
6. Riempire la ciotola e l'alloggiamento con acqua e riposizionare il coperchio dell'alloggiamento.
7. Prima di collegare la fontana per animali domestici all'alimentazione, controllare che il cavo di alimentazione elettrica, la spina e le mani siano asciutti. Collegare la fontana per animali domestici inserendo la spina in una presa elettrica standard.
8. Impostare la portata dell'acqua desiderata tramite la manopola per il controllo del flusso, ubicata alla destra della rampa anti-spruzzo. Quando la manopola per il controllo del flusso si trova sulla posizione delle ore 10, il flusso è regolato al livello più basso. Quando la manopola per il controllo del flusso si trova sulla posizione delle ore 2, il flusso è regolato al livello più alto.



La fontana per animali domestici e l'ambiente

Se l'ambiente circostante è umido e presenta problemi di muffa o alghe, immergere la fontana per animali domestici in una soluzione di aceto diluita (20% di aceto bianco e 80% d'acqua) per 10 minuti dopo avere effettuato la pulizia regolare. Versare inoltre la soluzione di aceto diluita nella cavità del motore della pompa.

Nel caso l'acqua che si utilizza presenti elevata durezza, è possibile che si formino sulla pompa o dentro di essa piccoli depositi minerali bianchi. Ciò può essere causa di problemi per quanto riguarda la rotazione corretta della girante. Per evitare di danneggiare o di dover sostituire la pompa, adottare le seguenti precauzioni:

- Pulire la pompa con maggior frequenza.
- Pulire la pompa settimanalmente con una soluzione di aceto diluita.
- Utilizzare acqua minerale imbottigliata e non acqua di rubinetto.

Consigli di ordine generale

- Una volta posto di fronte alla fontana per animali domestici, l'animale potrebbe mostrarsi prudente e sospettoso rispetto a questo nuovo e non usuale oggetto. Dopo aver messo in funzione la fontana per animali domestici, è bene consentire al proprio animale domestico di adattarsi alla sua presenza con i suoi ritmi. Alcuni animali potrebbero impiegare vari giorni o anche di più per iniziare a usare la fontana, mentre altri inizieranno subito.
- L'animale domestico potrebbe preferire che la fontana venga posizionata lontana dalla zona dove di solito mangia. Provare dunque a posizionarla in una zona diversa della cucina oppure in un bagno o in una stanza di servizio.
- Aggiungere cubetti di ghiaccio nella ciotola per ottenere acqua corrente ghiacciata e rinfrescante!

Identificazione e risoluzione dei guasti

Le risposte a queste domande possono aiutare l'utente a risolvere la maggior parte dei problemi che potrebbero presentarsi usando la Fontana per animali domestici. Se non fossero sufficienti, contatti il nostro Centro assistenza clienti.

IDENTIFICAZIONE E RISOLUZIONE DEI GUASTI	
PROBLEMA	SOLUCIÓN
La pompa non funziona oppure l'acqua non fluisce più come una volta.	<ul style="list-style-type: none"> • Non permettere mai che il livello dell'acqua nella ciotola raggiunga il livello minimo di riempimento. Questo potrebbe provocare il surriscaldamento della pompa e arrestarne il funzionamento. • Quando si riempie la fontana per animali domestici accertarsi che l'acqua sia stata aggiunta prima dell'accensione. • In assenza di una pulizia regolare, la pompa potrebbe ostruirsi a causa dei peli degli animali e dei residui di cibo. La pompa dovrebbe essere pulita ogni 2-4 settimane per garantirne il corretto funzionamento. • Riempire la fontana per animali domestici con acqua fino alla linea massima di riempimento.
La fontana per animali domestici è rumorosa.	<ul style="list-style-type: none"> • La presenza di un rumore basso ronzante è normale, ma non dovrebbe mai trattarsi di un rumore forte. Controllare il livello dell'acqua. Se il livello dell'acqua è troppo basso, la pompa farà più fatica durante il funzionamento causando un rumore più forte del normale. • Scollegare la fontana per animali domestici per 15 secondi. Se il rumore non si arresta quando la fontana viene riaccesa, è possibile che ci siano dei residui nel girante. Rimuovere la pompa e pulire il girante. Provare a strofinare una piccola quantità di olio vegetale sul perno magnetico con un cotton fioc per lubrificare il girante.

<p>Ci sono delle particelle di colore nero nella ciotola.</p>	<ul style="list-style-type: none"> • Si tratta di polvere di carbone attivo granulare ed è completamente innocua per il tuo animale domestico da bere. Per evitare la presenza di carbone, sciacquare il filtro a carbone attivo in acqua fredda prima di posizionarlo nella fontana per animali domestici.
<p>La fontana per animali domestici sembra avere una patina scivolosa.</p>	<ul style="list-style-type: none"> • Se più di un animale domestico utilizza la fontana, l'aspetto scivoloso potrebbe essere causato dalla saliva degli animali. Per evitare l'inconveniente, cambiare l'acqua e pulire la fontana per animali domestici più frequentemente. • Assicurarsi di risciacquare abbondantemente le parti che compongono la fontana per animali domestici. I residui di sapone possono causare la patina scivolosa.
<p>L'adattatore è caldo al tatto.</p>	<ul style="list-style-type: none"> • Scollegare la fontana per animali domestici e collegarla a un limitatore di sovratensione.
<p>La fontana per animali domestici perde.</p>	<ul style="list-style-type: none"> • A volte l'acqua intorno alla fontana sono gli animali domestici stessi a farla fuoriuscire quando bevono. Alcuni animali tendono più di altri a far fuoriuscire l'acqua. Osservare l'animale quando beve per accertarsi che la causa sia questa. Se è questo il motivo, si può acquistare un tappeto per fontane per animali domestici o altri tappetini resistenti all'acqua da poter posizionare al di sotto.
<p>La fontana per animali domestici sembra sporca anche dopo averla pulita.</p>	<ul style="list-style-type: none"> • Se nella fontana per animali domestici è presente una sostanza bianca e gessosa è possibile che si tratti di un accumulo di depositi minerali a causa della durezza dell'acqua. Per rimuovere questi depositi pulire le parti che compongono la fontana con una soluzione di acqua per l'80% e di aceto per il 20%. Successivamente risciacquare abbondantemente tutte le parti. Utilizzare acqua filtrata o demineralizzata invece dell'acqua del rubinetto che risulta essere più dura.

Garanzia

Garanzia limitata non trasferibile di due anni

Questo prodotto è coperto da una garanzia limitata del produttore. Informazioni esaurienti sulla garanzia di questo prodotto e le sue condizioni sono disponibili sul sito web: www.petsafe.net e/o possono essere richieste al Centro assistenza clienti di fiducia.

Radio Systems PetSafe Europe Ltd., 2nd Floor, Elgee Building,
Market Square, Dundalk, Co. Louth, Irlanda

Conformità

CE

Questa apparecchiatura è conforme alle direttive EMC e bassa tensione. Modifiche o variazioni non autorizzate da Radio Systems Corporation possono infrangere le normative europee, invalidare il diritto dell'utente a utilizzare il dispositivo e rendere nulla la garanzia.

La dichiarazione di conformità è disponibile sul sito web:
http://www.petsafe.net/customer-care/eu_docs.php.



Avviso importante per il riciclaggio

Rispettare le normative in materia di smaltimento di apparecchiature elettriche ed elettroniche vigenti nel proprio paese. Questa apparecchiatura deve essere riciclata. A sua dismissione, questa apparecchiatura non dovrà essere smaltita attraverso il normale sistema di rifiuti urbani. Affinché possa essere inserita nel nostro sistema di riciclaggio, invitiamo l'utente a riconsegnare l'apparecchiatura al punto vendita in cui è stata acquistata. Se ciò non fosse possibile, invitiamo l'utente a contattare il Centro Assistenza Clienti per informazioni in merito.

EN

FR

NL

ES

IT

DE

Limitazione di responsabilità e condizioni di utilizzo

1. Termini di utilizzo

L'uso di questo prodotto è soggetto all'accettazione da parte dell'acquirente senza alcuna modifica dei termini, condizioni e avvisi quivi contenuti. L'uso di questo prodotto implica l'accettazione della totalità di tali termini, condizioni e avvisi. Se non si desiderano accettare tali termini, condizioni e avvisi, restituire il prodotto, non utilizzato, nella sua confezione originale a proprie spese e a proprio rischio, al Centro assistenza clienti di pertinenza assieme alla prova di acquisto per ottenere il rimborso completo.

2. Utilizzo corretto

Se si nutrono dubbi in merito all'idoneità del prodotto per il proprio animale, prima dell'uso, consultare il veterinario di fiducia o un addestratore certificato. Il corretto utilizzo comprende, a titolo esemplificativo ma non esaustivo la lettura dell'intera Guida all'uso e di ogni messaggio di attenzione pertinente.

3. Divieto di uso illegale o proibito

Il prodotto è stato progettato per essere utilizzato unicamente per animali domestici. L'uso del prodotto in un modo diverso da quello previsto, potrebbe violare le leggi nazionali o locali.

4. Limitazione di responsabilità

In nessun caso Radio Systems Corporation o una delle sue società consociate dovrà essere ritenuta responsabile per (i) danni indiretti, punitivi, accidentali, speciali o consequenziali e/o (ii) eventuali perdite o danni di qualsiasi genere insorti a causa o in modi connessi all'utilizzo indebito del prodotto. L'acquirente si assume tutti i rischi e le responsabilità per l'uso di questo prodotto nella misura massima consentita dalla legge.

5. Modifica dei termini e delle condizioni

Radio Systems Corporation si riserva il diritto di modificare periodicamente i termini, le condizioni e gli avvisi che disciplinano l'uso di questo prodotto. Se tali modifiche sono state notificate all'acquirente prima dell'uso del prodotto, risulteranno vincolanti per il cliente come se fossero incorporate all'interno di questo documento.

WICHTIGE SICHERHEITSINFORMATIONEN

Erklärung der in dieser Anleitung verwendeten Warnhinweise und Symbole



Das ist das Sicherheitswarnsymbol. Es wird verwendet, um Sie auf mögliche persönliche Verletzungsgefahren hinzuweisen. Befolgen Sie alle Sicherheitsmeldungen nach diesem Symbol, um mögliche Verletzungen oder den Tod zu vermeiden.

⚠️ WARNUNG

WARNUNG weist auf eine Gefahrensituation hin, die, sofern sie nicht vermieden wird, den Tod oder eine ernsthafte Verletzung zur Folge haben könnte.

VORSICHT

VORSICHT weist ohne das Sicherheitswarnsymbol auf eine Gefahrensituation hin, die, sofern sie nicht vermieden wird, Ihrem Haustier Schaden zufügen könnte.

HINWEIS

HINWEIS wird verwendet, um auf Anwendungen hinzuweisen, die nicht mit einer persönlichen Verletzung in Zusammenhang stehen.

⚠️ WARNUNG

Bei der Verwendung von elektrischen Geräten sollten stets grundlegende Sicherheitsmaßnahmen ergriffen werden, um das Risiko von Feuer, Stromschlag und/oder Körperverletzungen zu reduzieren, einschließlich der folgenden Maßnahmen:

- Um das Risiko einer Verletzung zu reduzieren, ist die strenge Überwachung bei Verwendung des Geräts durch oder in der Nähe von Kindern erforderlich.
- Zum Schutz vor Stromschlag das Netzkabel oder den Stecker nicht in Wasser oder andere Flüssigkeiten tauchen.
- Nicht im Freien verwenden. NUR ZUR VERWENDUNG IN INNENRÄUMEN.
- Nicht am Netzkabel ziehen, um den Stecker aus der Steckdose zu ziehen. Zum Herausziehen des Steckers den Stecker greifen, nicht das Netzkabel.
- Das Gerät nicht verwenden, wenn das Netzkabel oder der Stecker beschädigt ist oder wenn es nicht ordnungsgemäß funktioniert oder beschädigt ist. Wenden Sie sich für weitere Anweisungen umgehend an die Kundenbetreuung.
- Für tragbare Geräte – Um das Risiko eines Stromschlags zu reduzieren, platzieren oder lagern Sie das Gerät nicht an einem Ort, wo es in eine Badewanne oder ein Waschbecken fallen oder gestoßen werden kann.
- Trennen Sie das Gerät stets vom Strom, wenn es nicht in Gebrauch ist, bevor Sie Komponenten anbringen oder entfernen und bevor Sie es reinigen.
- Verwenden Sie das Gerät nur gemäß seines Verwendungszwecks.
- Wird der Stecker des Geräts nass, schalten Sie die Stromverbindung zu der jeweiligen Steckdose aus. Nicht den Stecker herausziehen.
- Überprüfen Sie das Gerät nach der Installation. Schließen Sie es nicht an eine Steckdose an, wenn sich Wasser am Netzkabel oder am Stecker befindet.

VORSICHT

- Lassen Sie Haustiere nicht an den Teilen kauen oder diese verschlucken. Bei eventuellen Bedenken zum Netzkabel kaufen Sie eine Kabelführung (harter Plastikschutz).
- Die Kunststoffbestandteile des Trinkbrunnens sind BPA-FREI. Manche Tiere reagieren jedoch empfindlich auf Fressnäpfe und Wasserbehälter aus Kunststoff. Falls Ihr Haustier Zeichen einer allergischen Reaktion auf die Kunststoffe aufweist, erst wieder verwenden, wenn Sie Ihren Tierarzt konsultiert haben.

HINWEIS

- Der Trinkbrunnen ist für den durchgehenden Betrieb vorgesehen (immer an eine Steckdose angeschlossen), solange der Wasserpegel bestehen bleibt und der Trinkbrunnen regelmäßig gereinigt wird. Denken Sie daran, den Trinkbrunnen regelmäßig zu kontrollieren, damit die Pumpe nicht beschädigt wird, denn durch den Wasserverbrauch beziehungsweise die Verdampfung kann die Pumpe austrocknen.
- Versuchen Sie nicht, die Pumpe zu reparieren.
- Um das Risiko zu vermeiden, dass der Stecker oder die Steckdose nass werden, sollte sich die Steckdose stets oberhalb der Höhe des Trinkbrunnens befinden.
- Bei Gebrauch eines Verlängerungskabels ist auf die richtige Nennkapazität zu achten.
- Die elektrische Leistung dieses Geräts beträgt 2,5 Watt.
- Bei Verwendung von Zusatzgeräten, die nicht vom Hersteller empfohlen oder verkauft werden, ist die Betriebssicherheit mitunter nicht gewährleistet. Nehmen Sie keine Änderungen am Gerät vor.
- Installieren oder lagern Sie das Gerät nicht an Orten, an denen es Witterungen oder Temperaturen unter 4,5 °C ausgesetzt ist.
- Lesen und berücksichtigen Sie alle wichtigen an dem Gerät und der Verpackung aufgeführten Hinweise.
- Waschen Sie die Filter niemals mit Seifenwasser, da Seifenrückstände in die Filter gelangen und nicht wieder entfernt werden können. Spülen Sie die Filter nur mit Wasser.
- Verwenden Sie nur autorisierte Marken-Ersatzfilter von PetSafe®. Die Verwendung nicht autorisierter Filter kann zum Verlust der Garantie führen.

**BITTE BEWAHREN SIE DIESE
GEBRAUCHSANWEISUNG AUF**

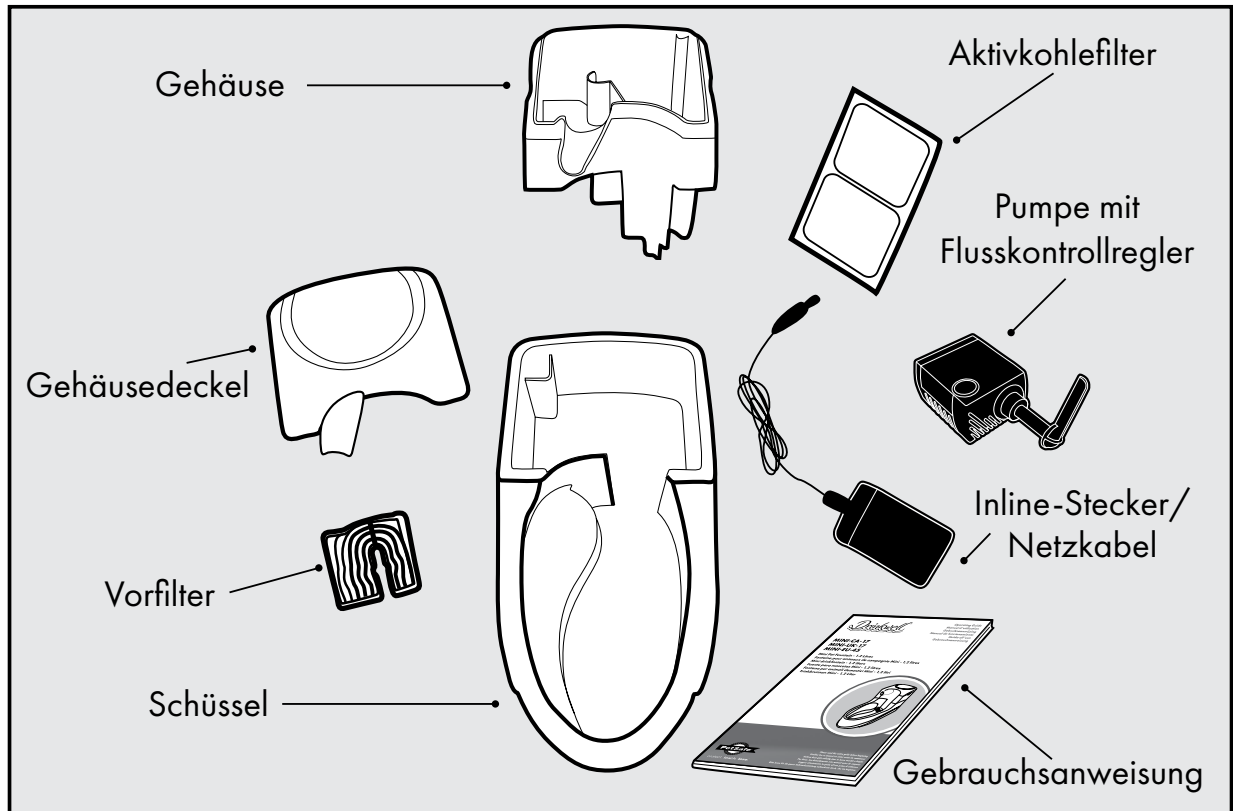
Vielen Dank für den Kauf der Marke PetSafe®. Sie und Ihr Haustier verdienen eine Freundschaft, zu der unvergessliche Momente und ein gegenseitiges Verstehen gehören. Unsere Produkte und Trainingsgeräte verbessern die Beziehung zwischen Haustieren und ihren Besitzern. **Bei Fragen zu unseren Produkten oder zum Training Ihres Haustiers besuchen Sie bitte unsere Website auf www.petsafe.net oder wenden Sie sich an unsere Kundenbetreuung. Eine Liste der Telefonnummern der Kundenbetreuung finden Sie auf unserer Website www.petsafe.net.**

Damit Sie den maximalen Schutz für Ihre Garantie erhalten, registrieren Sie bitte Ihr Produkt innerhalb von 30 Tagen auf www.petsafe.net. Wenn Sie eine Registrierung vornehmen und die Quittung aufbewahren, profitieren Sie von der vollständigen Garantieleistung; und sollten Sie sich jemals an die Kundenbetreuung wenden müssen, können wir Ihnen schneller helfen. Das Wichtigste ist, dass wir Ihre persönlichen Daten nie an Dritte weitergeben oder verkaufen. Sämtliche Garantiedetails finden Sie auf www.petsafe.net.

Inhaltsverzeichnis

Bestandteile	78
Produkteigenschaften	78
Definitionen	79
Gebrauchsanweisung	80
Auseinanderbau und Reinigung des Trinkbrunnens	81
Wartung der Pumpe	82
Wiederzusammenbau des Trinkbrunnens	84
Der Trinkbrunnen und Ihre Umgebung	85
Allgemeine Hinweise	85
Mögliche Probleme und Lösungen	86
Garantie	87
Konformität	87
Wichtige Recyclinghinweise	88
Nutzungsbedingungen und Haftungsbeschränkung	88

Bestandteile



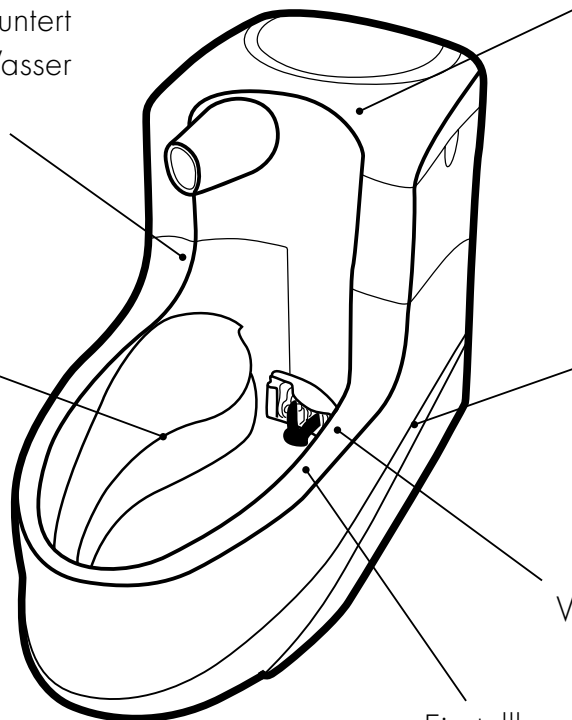
Produkteigenschaften

Ein Wasserfall ermuntert Haustiere, mehr Wasser zu trinken

Wasserrutsche verhindert Spritzer

Austauschbarer Aktivkohlefilter beseitigt schlechten Geschmack und Gerüche

Tauchpumpe für einen ruhigen Betrieb



Wasserkapazität 1,2 l

Niederspannungssystem (12 V)

Definitionen

Gehäuse: Das Wasser wird durch das Gehäuse nach oben gepumpt, so dass es durch den Aktivkohlefilter und den Ausguss fließt und als Wasserfall in die Schüssel gelangt.

Gehäusedeckel: Der Gehäusedeckel rastet auf dem Gehäuse ein, so dass das Haustier nicht an den Aktivkohlefilter gelangt.

Aktivkohlefilter: Der Aktivkohlefilter enthält drei Schichten und besteht aus granulierter Kohle, die aus Kokosnussschalen gewonnen wird. Während das Wasser hindurchfließt, absorbiert der Filter schlechten Geschmack und Gerüche und trägt somit dazu bei, dass das Wasser frisch bleibt und für Haustiere angenehm zu trinken ist.

Schüssel: Die Schüssel ist die Basis des Trinkbrunnens. Sie enthält die Pumpe und verfügt über eine Kabelröhre, mit der das Netzkabel verdeckt wird.

Vorfilter: Der kleine Ansaugrost, der größere Partikel wie Haare, Schmutz und Futterreste auffängt, bevor diese in den Aktivkohlefilter gelangen.

Flusskontrollregler: An der Frontplatte wird der schwarze Regler zur Regulierung der Wassergeschwindigkeit angebracht. Der Flusskontrollregler kann entfernt werden, indem die Pumpe zerlegt wird (Weitere Informationen finden Sie im Abschnitt „Wartung der Pumpe“).

Pumpe: Die kleine Aquariumtauchpumpe kann zur Reinigung ausgebaut werden. DIE PUMPE IST NICHT SPÜLMASCHINENFEST! Entfernen Sie die Pumpe vor der Reinigung aus dem Trinkbrunnen (genaue Anleitung siehe Abschnitt „Wartung der Pumpe“). Des Weiteren verfügt die Pumpe zum einfachen Anbringen über einen Inline-Stecker.

EN

FR

NL

ES

IT

DE

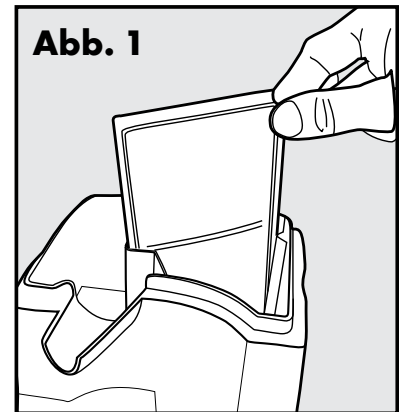
Gebrauchsanweisung

Wichtig: NICHT UNGEFÜLLT BETREIBEN – NUR ZUR VERWENDUNG IN INNENRÄUMEN. Der Trinkbrunnen ist bei der Lieferung fertig montiert und einsatzbereit.

Hinweis: Vor Inbetriebnahme des Trinkbrunnens alle Teile des Trinkbrunnens mit warmem Wasser abspülen, um das System von Staub und Rückständen vom Herstellungsprozess zu reinigen.

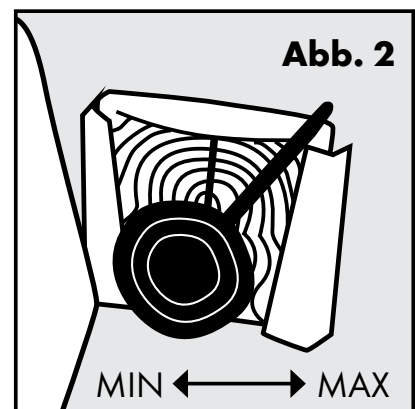
1. Nehmen Sie vorsichtig alle Bestandteile des Trinkbrunnens aus der Verpackung und legen Sie sie vor dem Zusammenbau zur Seite.
2. Überprüfen Sie wie bei allen elektrischen Geräten vor Gebrauch das Netzkabel auf Risse und Beschädigungen.
3. Stellen Sie sicher, dass der Inline-Stecker richtig angeschlossen ist. In diesem Fall ist die silberne Spitze nicht zu erkennen.
4. Zum Entfernen des Gehäusedeckels die Zeigefinger in die Einbuchtungen an den beiden Innenseiten setzen. Anheben. Den Gehäusedeckel zur Seite legen.

5. Setzen Sie den Aktivkohlefilter in das Gehäuse ein. Der Aktivkohlefilter passt in die zwei dreieckigen Schlitz an der rechten Seite des Gehäuses, wobei die schmale Filterseite nach unten zeigt und die weiße Seite zur Vorderseite des Trinkbrunnens (**Abb. 1**). Der Aktivkohlefilter gleitet einfach in die richtige Position; achten Sie dennoch darauf, dass er ganz heruntergeschoben ist.



Wichtig: Spülen Sie den Aktivkohlefilter gründlich mit kaltem Wasser aus, bevor Sie ihn in den Trinkbrunnen einsetzen. Dadurch wird sämtlicher loser Kohlestaub entfernt; dieser ist unschädlich. Womöglich wird im Laufe der Betriebsdauer des Aktivkohlefilters eine kleine Menge Kohlestaub abgegeben. Dies ist völlig normal und schadet Ihrem Haustier nicht.

6. Füllen Sie den Trinkbrunnen mit Wasser. Dazu gehören die Schüssel und das Gehäuse. Nun ist die Pumpe einsatzbereit.
7. Setzen Sie den Gehäusedeckel wieder so auf, dass er einrastet.
8. Stellen Sie den Trinkbrunnen an die gewünschte Stelle. Heben Sie den vollen Trinkbrunnen nicht am Gehäuse hoch. **Wichtig:** Verwenden Sie als Bodenschutz immer eine Schutzmatte, wie z.B. ein Handtuch oder eine wasserabweisende Unterlage. So wird der Boden vor Spritzern oder durch Ihr Haustier verschüttetes Wasser geschützt.
9. Stellen Sie vor dem Anschließen des Trinkbrunnens sicher, dass das Netzkabel, der Stecker und Ihre Hände trocken sind. Schließen Sie den Trinkbrunnen an eine normale Wandsteckdose an.
10. Stellen Sie die gewünschte Fließgeschwindigkeit mit dem Flusskontrollregler rechts neben der Wasserrutsche ein. Zeigt der Flusskontrollregler auf 10 Uhr, ist der Fluss am schwächsten; bei 2 Uhr ist er am stärksten. (**Abb. 2**).



11. Geben Sie die benötigte Menge Wasser in die Schüssel und das Reservoir. Achten Sie darauf, dass der Wasserpegel nicht unterhalb des Flusskontrollreglers fällt, da andernfalls die Pumpe ausfallen kann. Ersatzpumpen können separat bei der Kundenbetreuung bestellt werden. Eine Liste mit Telefonnummern der Kundenbetreuung in Ihrer Nähe finden Sie auf www.petsafe.net.

Auseinanderbau und Reinigung des Trinkbrunnens

Wichtig: Damit der Trinkbrunnen weiterhin normal funktioniert, muss er gereinigt werden.

AKTIVKOHLEFILTER: Den Aktivkohlefilter alle zwei bis vier Wochen auswechseln.

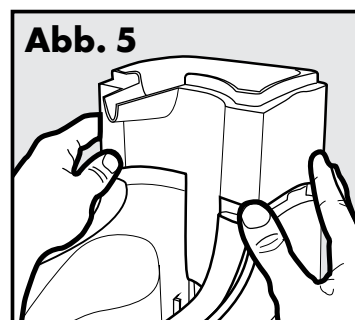
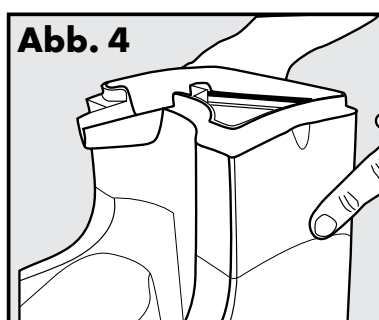
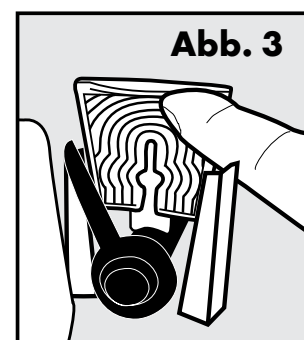
1. Wechseln Sie den Aktivkohlefilter häufiger, wenn Sie den Trinkbrunnen für mehrere Haustiere verwenden oder wenn die Haustiere viel speicheln.
2. Bei dem Aktivkohlefilter handelt es sich um eine Zusatzeigenschaft des Trinkbrunnens. Für den normalen Betrieb ist zwar kein Filter erforderlich, dieser trägt jedoch zur Sauberkeit des Wassers im Trinkbrunnen bei.
3. Der Aktivkohlefilter kann beim Reinigen des Trinkbrunnens ausgespült werden. Nicht mit Seifenlauge waschen, da sich Seifenreste nicht entfernen lassen.

HINWEIS

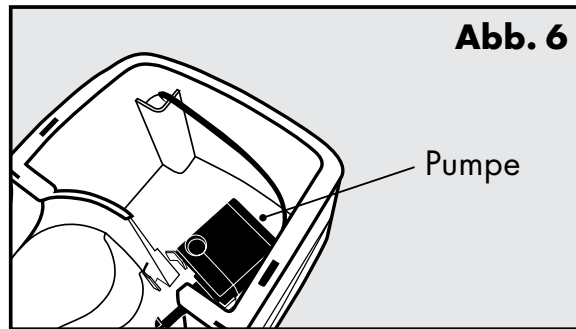
- Waschen Sie die Filter niemals mit Seifenwasser, da Seifenrückstände in die Filter gelangen und nicht wieder entfernt werden können. Spülen Sie die Filter nur mit Wasser.
- Verwenden Sie nur autorisierte Marken-Ersatzfilter von PetSafe®. Die Verwendung nicht autorisierter Filter kann zum Verlust der Garantie führen.

TRINKBRUNNEN: Reinigen Sie den Trinkbrunnen einmal wöchentlich.

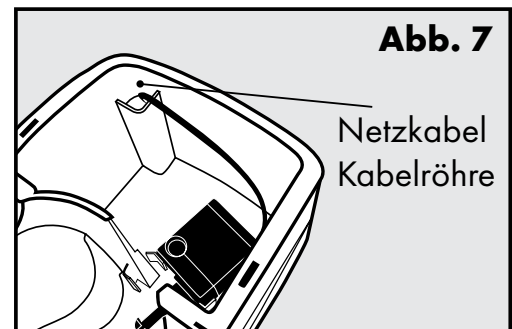
1. Ziehen Sie den Stecker des Trinkbrunnens und den Inline-Stecker heraus.
2. Entfernen Sie den Gehäusedeckel und den Aktivkohlefilter.
3. Schütten Sie sämtliches Wasser aus dem Trinkbrunnen.
4. Entfernen Sie den Vorfilter durch leichtes Hochziehen des Ansatzes auf der Oberseite und waschen Sie ihn mit Wasser und Seife (**Abb. 3**).
5. Entfernen Sie das Gehäuse durch leichtes Drücken an beiden Seiten des Trinkbrunnens, wo die Kurve auf die Fuge trifft. Leicht anheben (**Abb. 4 und 5**). An der rechten Seite des Gehäuses spüren Sie einen leichten Widerstand, wenn das Wasseransaugrohr von der Pumpe gezogen wird.



6. Entfernen Sie die Pumpe aus dem Hohlraum, indem Sie den Zeigefinger hinter die Pumpe legen und die Unterseite mit dem Daumen festhalten (**Abb. 6**).



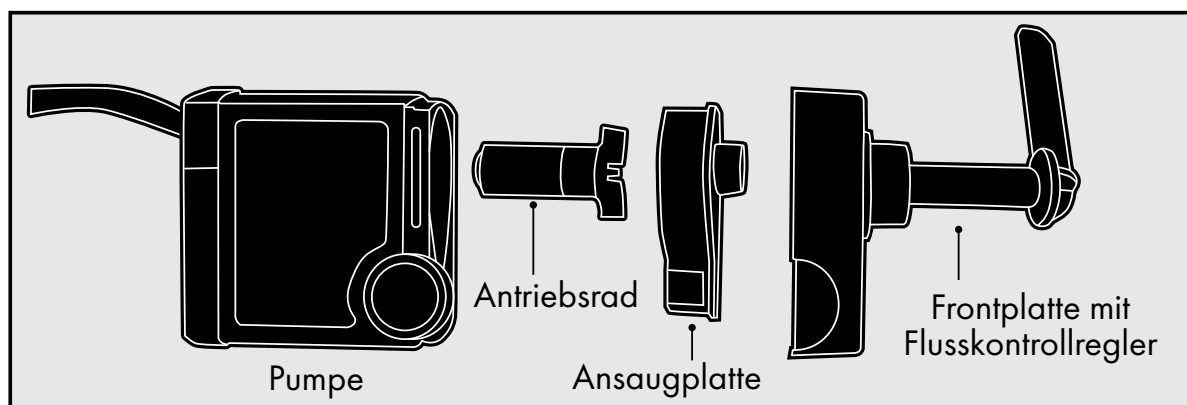
7. Heben Sie die Pumpe gerade nach oben, bis sich die Saugnäpfe lösen. Dafür kann ein geringer Kraftaufwand erforderlich sein.
8. Ziehen Sie den Inline-Stecker durch die Kabelröhre links neben der Pumpe nach oben (**Abb. 7**).



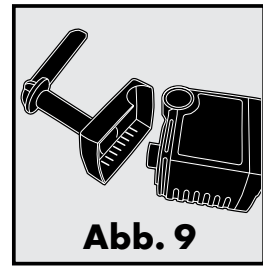
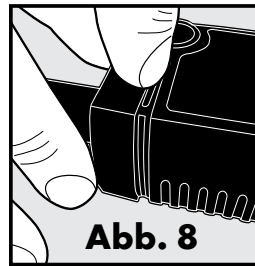
9. Nach dem kompletten Auseinanderbau des Trinkbrunnens haben Sie 4 Kunststoffteile.
10. Reinigen Sie die Kunststoffbestandteile des Trinkbrunnens mit Seife und warmem Wasser. Sie können den Trinkbrunnen auch im oberen Fach der Geschirrspülmaschine reinigen. Entfernen Sie die Pumpe, bevor Sie den Trinkbrunnen in die Geschirrspülmaschine legen. **REINIGEN SIE DIE PUMPE NIE IN DER GESCHIRRRSPÜLMASCHINE!** Es wird empfohlen, die Wassertemperatur in der Geschirrspülmaschine wenn möglich zu reduzieren. Der Trinkbrunnen kann auch mit einer verdünnten Essiglösung (20 % Haushaltsessig und 80 % Wasser). Danach gründlich mit frischem Wasser spülen.
11. Bei Problemen, einige Stellen oder schwer zugängliche Ecken zu erreichen, verwenden Sie ein Wattestäbchen oder den aus drei Bürsten bestehenden Reinigungssatz von Drinkwell®. Diesen erhalten Sie auf unserer Webseite unter www.petsafe.net. Dort finden Sie einen Händler sowie eine Liste von Telefonnummern der Kundenbetreuung in Ihrer Nähe.

Wartung der Pumpe

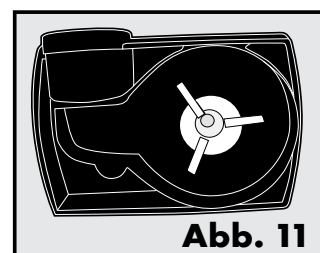
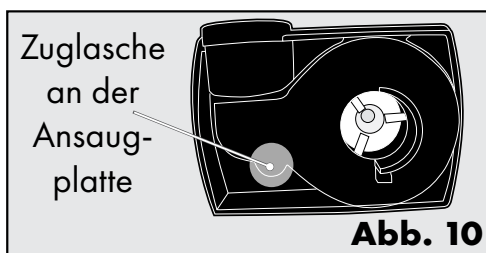
Wichtig: Die Reinigung der Pumpe ist für die Haltbarkeit des Trinkbrunnens sowie für die Sauberkeit des Wassers entscheidend. Reinigen Sie die Pumpe alle zwei Wochen. Bei Nichtreinigung des Pumpenmotors verliert die Garantie unter Umständen ihre Gültigkeit.



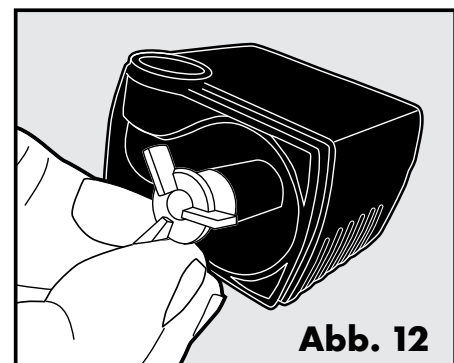
1. Entfernen Sie den Vorfilter und das Gehäuse aus der Schüssel.
2. Nehmen Sie die Pumpe aus dem Trinkbrunnen wie im Abschnitt „Auseinanderbau und Reinigung des Trinkbrunnens“ beschrieben.
3. Nachdem Sie die Pumpe aus dem Trinkbrunnen herausgenommen haben, drücken Sie mit Daumen und Zeigefinger vorsichtig an beiden Seiten der Frontplatte und ziehen Sie diese heraus. Möglicherweise müssen Sie zum Abhebeln der Frontplatte einen Fingernagel in die Fuge stecken. (**Abb. 8-9**).



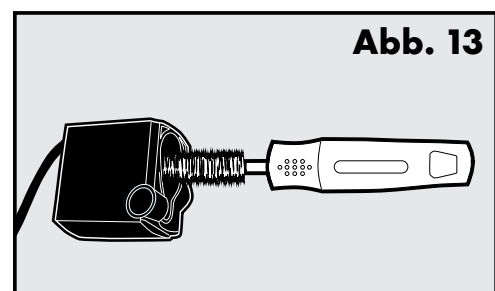
4. Danach nehmen Sie die Ansaugplatte ab, indem Sie einen Fingernagel unter den kleinen Ansatz an der schmalen Seite der tropfenförmigen Zuglasche der Ansaugplatte schieben und diese herausziehen (**Abb. 10 & 11**).



5. Wenn Sie die Ansaugplatte entfernt haben, können Sie auch das magnetisch fixierte Antriebsrad abnehmen (weißer Propeller mit drei Flügeln). Führen Sie dazu einen Fingernagel unter ein Blatt und heben Sie das Antriebsrad aus der Pumpe heraus (**Abb. 12**).



6. Nachdem die Pumpe vollständig ausgebaut ist, können Sie die Bestandteile mit Seife und warmem Wasser reinigen. Verwenden Sie ein Wattestäbchen oder die Motorbürste aus dem Reinigungssatz von Drinkwell®, um in den Hohlraum im Inneren des Motors zu gelangen, und entfernen Sie alle Rückstände (**Abb. 13**). Zur weiteren Desinfektion und zur Entfernung von Kalkablagerungen reinigen Sie die Pumpe mit einer verdünnten Essiglösung (20 % Haushaltsessig und 80 % Wasser).



7. Wenn alle Bestandteile sauber sind, können Sie die Pumpe wieder für den Gebrauch zusammen setzen.
 - a) Setzen Sie das Antriebsrad wieder ein.
 - b) Bringen Sie die Ansaugplatte wieder an.
 - c) Bringen Sie die Frontplatte mit dem Flusskontrollregler wieder an.

Wiederzusammenbau des Trinkbrunnens

1. Setzen Sie die Pumpe wieder an ihrer Stelle zwischen den vier Stiften auf der rechten Seite der Trinkbrunnenschüssel ein. Vorsichtig nach unten drücken, damit die Saugnäpfe Kontakt haben (**Abb. 14 & 15**).

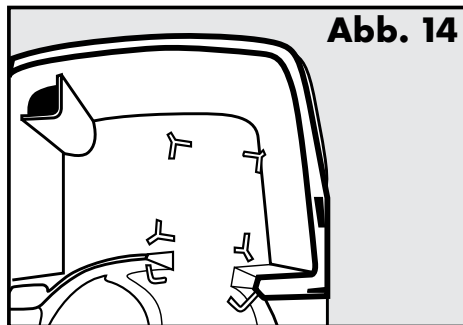


Abb. 14

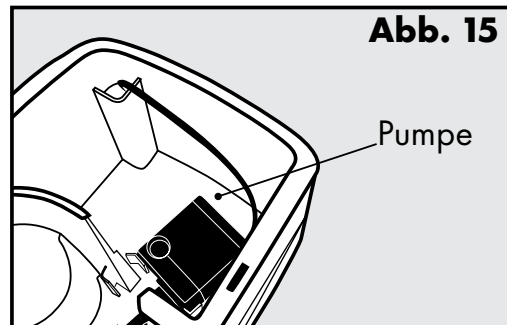


Abb. 15

2. Fädeln Sie den Inline-Stecker durch die Kabelröhre in der hinteren linken Ecke der Schüssel (**Abb. 16**). Damit die Trinkbrunnenschüssel stabil ist, führen Sie das Netzkabel an der Rückseite des Trinkbrunnens entlang und durch die Kerbe an der Unterseite der Schüssel (**Abb. 17**).

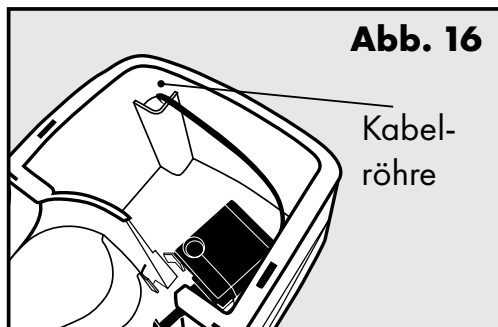


Abb. 16

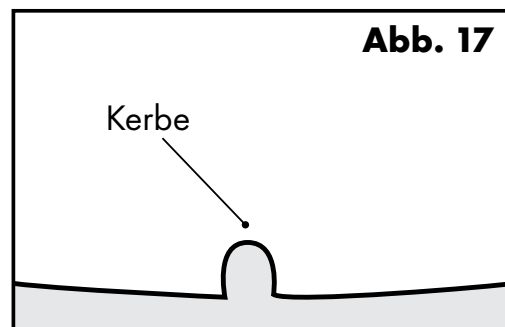
Kabel-
röhre

Abb. 17

Kerbe

3. Richten Sie das Gehäuse zum Befestigen über Pumpe und Schüssel aus. Richten Sie das Ansaugrohr so aus, dass es direkt auf die Pumpe passt. Anschließend das Gehäuse vorsichtig herunterdrücken, bis es einrastet.

4. Den Vorfilter zum Auswechseln mit dem schmalen Ende zuerst über den Flusskontrollregler schieben. Dabei zeigt der Ansatz auf dem Vorfilter zur Vorderseite des Trinkbrunnens. Herunterdrücken, bis er über dem Flusskontrollregler einrastet (**Abb. 18**).

5. Den Aktivkohlefilter mit der weißen Seite zur Vorderseite des Trinkbrunnens Richtung Ausguss einsetzen.

6. Schüssel und Gehäuse mit Wasser füllen und den Gehäusedeckel aufsetzen.

7. Stellen Sie vor dem Anschließen des Trinkbrunnens sicher, dass das Netzkabel, der Stecker und Ihre Hände trocken sind. Schließen Sie den Trinkbrunnen an eine normale Wandsteckdose an.

8. Stellen Sie die gewünschte Fließgeschwindigkeit mit dem Flusskontrollregler rechts neben der Wasserrutsche ein. Zeigt der Flusskontrollregler auf 10 Uhr, ist der Fluss am schwächsten; bei 2 Uhr ist er am stärksten.

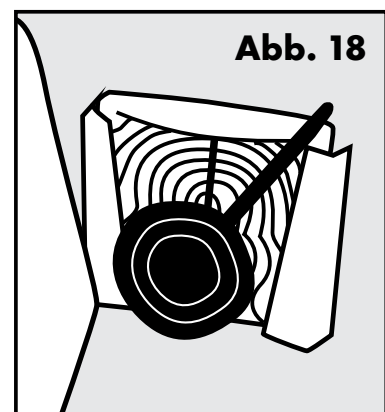


Abb. 18

Der Trinkbrunnen und Ihre Umgebung

Leben Sie in einer feuchten Gegend und haben Sie Probleme mit Schimmel und Algen, weichen Sie alle Bestandteile des Trinkbrunnens nach der normalen Reinigung 10 Minuten lang in einer verdünnten Essiglösung ein (20 % Haushaltsessig und 80 % Wasser). Gießen Sie außerdem verdünnte Essiglösung in den Hohlraum im Inneren des Motors der Pumpe.

Wenn das Wasser in Ihrer Gegend kalkhaltig ist, können sich kleine weiße Mineralablagerungen auf oder in der Pumpe bilden. Dies kann letztendlich dazu führen, dass der Impeller daran gehindert wird, sich ordnungsgemäß zu drehen. Um einen Ersatz oder Beschädigungen der Pumpe zu vermeiden, ergreifen Sie bitte folgende Vorsichtsmaßnahmen:

- Reinigen Sie die Pumpe häufiger.
- Reinigen Sie die Pumpe wöchentlich mit einer verdünnten Essiglösung.
- Verwenden Sie abgefülltes Wasser anstatt Leitungswasser.

Allgemeine Hinweise

- Beim Kennenlernen des Trinkbrunnens ist Ihr Haustier womöglich misstrauisch, da es sich um einen neuen und ungewöhnlichen Gegenstand handelt. Nachdem Sie den Trinkbrunnen in Betrieb genommen haben, überlassen Sie es Ihrem Haustier, sich in seinem eigenen Tempo umzugewöhnen. Manche Haustiere beginnen erst nach mehreren Tagen, die Vorrichtung zu benutzen; andere verwenden sie sofort.
- Vielleicht zieht es Ihr Haustier vor, wenn Sie den Trinkbrunnen nicht in seinen normalen Futterbereich stellen. Versuchen Sie es mit einer anderen Stelle, wie beispielsweise einem anderen Bereich der Küche oder einem Allzweckraum.
- Geben Sie für erfrischendes, eiskaltes Wasser Eiswürfel in die Schüssel!

EN

FR

NL

ES

IT

DE

Mögliche Probleme und Lösungen

Die Antworten auf diese Fragen sollten Ihnen dabei helfen, Probleme mit dem Trinkbrunnen zu beheben. Wenden Sie sich andernfalls bitte an unsere Kundenbetreuung.

MÖGLICHE PROBLEME UND LÖSUNGEN	
PROBLEM	LÖSUNG
Pumpe funktioniert nicht oder es fließt weniger Wasser als sonst.	<ul style="list-style-type: none">• Achten Sie immer darauf, dass der Wasserstand in der Schüssel nicht unter den Mindeststand fällt. Anderenfalls kann die Pumpe überhitzen und ausfallen.• Achten Sie beim Nachfüllen des Trinkbrunnens darauf, Wasser hinzuzufügen, bevor der Trinkbrunnen angestellt wird.• Wird der Trinkbrunnen nicht regelmäßig gereinigt, kann die Pumpe mit Tierhaaren und Futterresten verstopfen. Die Pumpe muss alle 2-4 Wochen gereinigt werden, um eine einwandfreie Funktion zu gewährleisten.• Füllen Sie den Trinkbrunnen immer bis zur maximalen Füllstandsanzeige mit Wasser.
Der Trinkbrunnen ist laut.	<ul style="list-style-type: none">• Ein tiefes, summendes Geräusch ist normal; es soll jedoch nicht laut sein. Überprüfen Sie den Wasserstand. Wenn der Wasserstand des Trinkbrunnens zu niedrig ist, muss die Pumpe stärker arbeiten, wodurch sie lauter als normal ist.• Trennen Sie den Trinkbrunnen 15 Sekunden von der Steckdose. Bleibt das Geräusch nach dem Wiedereinschalten bestehen, dann hat sich möglicherweise ein wenig Schmutz am Impeller gefangen. Nehmen Sie die Pumpe heraus und reinigen Sie den Impeller. Versuchen Sie, mit einem Wattestäbchen ein wenig Pflanzenöl auf die Magnethöhle zu reiben, um den Impeller zu schmieren.
In der Schüssel sind schwarze Teilchen.	<ul style="list-style-type: none">• Hierbei handelt es sich um lose Kohlepartikel aus dem Filter, die beim Trinken vollkommen harmlos für Ihr Haustier sind. Um dies zu verhindern, spülen Sie den Aktivkohlefilter mit kaltem Wasser aus, bevor Sie ihn wieder in den Trinkbrunnen einsetzen.
Der Trinkbrunnen fühlt sich glitschig an.	<ul style="list-style-type: none">• Wenn Sie mehrere Haustiere haben, die aus dem Trinkbrunnen trinken, kann dies vom Speichel Ihrer Tiere herrühren. Tauschen Sie das Wasser aus und reinigen Sie den Trinkbrunnen häufiger, um dies zu verhindern.• Achten Sie darauf, die Teile des Trinkbrunnens nach der Reinigung gründlich abzuspülen. Sonst können glitschige Seifenreste verbleiben.

Der Stromadapter ist bei Berührung warm.	<ul style="list-style-type: none"> Trennen Sie den Trinkbrunnen von der Stromversorgung und verbinden Sie ihn mit einem Überspannungsschutz.
Der Trinkbrunnen ist undicht.	<ul style="list-style-type: none"> Manchmal stammt das Wasser um den Trinkbrunnen herum von trinkenden Tieren. Manche Tiere verspritzen mehr Wasser. Achten Sie darauf, wie Ihr Haustier trinkt. Falls dies die Ursache ist, können Sie eine Trinkbrunnen-Unterlage oder eine andere Wasserfest Matte anschaffen und unter den Trinkbrunnen legen.
Der Trinkbrunnen scheint auch nach der Reinigung schmutzig zu sein.	<ul style="list-style-type: none"> Weißes, kalkiges Material im Trinkbrunnen könnten Kalkrückstände von hartem Wasser sein. Um diese zu entfernen, reinigen Sie die Teile des Trinkbrunnens mit einer Lösung aus 80 % Wasser und 20 % Essig. Spülen Sie anschließend alle Teile gründlich ab. Verwenden Sie gefiltertes oder gereinigtes Wasser anstatt hartem Leitungswasser, um Kalkablagerungen zu verhindern.

Garantie

Nicht übertragbare eingeschränkte zweijährige Garantie

Dieses Produkt besitzt eine eingeschränkte Herstellergarantie. Die vollständigen Details der Garantie, die für dieses Produkt gilt, und deren Bedingungen finden Sie unter www.petsafe.net und/oder erhalten Sie bei Ihrer Kundenbetreuung vor Ort.

Radio Systems PetSafe Europe Ltd., 2nd Floor, Elgee Building, Market Square, Dundalk, Co. Louth, Irland

Konformität

CE

Die Ausrüstung ist mit der EMC- und Niedrigstrom-Direktive konform. Nicht autorisierte Änderungen oder Modifikationen am Produkt, die nicht von der Radio Systems Corporation genehmigt sind, könnten die Autorisierung des Benutzers, das Gerät zu betreiben, annullieren und die Garantie ungültig machen.

Die Konformitätserklärung finden Sie unter:

http://www.petsafe.net/customer-care/eu_docs.php.



Wichtige Recyclinghinweise

Halten Sie bitte die Bestimmungen zur Entsorgung von elektrischen und elektronischen Abfällen in Ihrem Land ein. Diese Geräte müssen recycelt werden. Wenn Sie ein Gerät nicht mehr benötigen, führen Sie es nicht dem normalen Müll bei der städtischen Müllentsorgung zu. Bitte geben Sie es dahin zurück, wo Sie es gekauft haben, damit es unserem Recyclingsystem zugeführt werden kann. Wenn dies nicht möglich ist, setzen Sie sich bitte mit dem Kundenbetreuung für weitere Informationen in Verbindung.

Nutzungsbedingungen und Haftungsbeschränkung

1. Nutzungsbedingungen

Dieses Produkt wird Ihnen unter der Bedingung angeboten, dass Sie es ohne eine Modifizierung der darin enthaltenen Bedingungen und Hinweise annehmen. Die Verwendung dieses Produkts stellt die stillschweigende Annahme all dieser Bedingungen und Hinweise dar. Wenn Sie diese Bedingungen und Hinweise nicht akzeptieren möchten, geben Sie das Produkt bitte unverwendet in seiner Originalverpackung und auf Ihre Kosten und Ihr Risiko an das entsprechende Kundenservicezentrum zusammen mit dem Kaufnachweis für eine vollständige Kostenrückerstattung zurück.

2. Richtige Verwendung

Wenn Sie nicht sicher sind, ob dieses Produkt für Ihr Haustier angemessen ist, konsultieren Sie bitte Ihren Tierarzt oder zertifizierten Trainer. Die richtige Verwendung umfasst unbeschränkt das Durchlesen der gesamten Gebrauchsanweisung und aller spezifischen Sicherheitshinweise.

3. Keine unrechtmäßige oder verbotene Verwendung

Dieses Produkt ist nur zur Verwendung mit Haustieren vorgesehen. Die Verwendung dieses Produkts auf eine nicht vorgesehene Weise könnte zu einer Verletzung bundesstaatlicher, staatlicher oder lokaler Gesetze führen.

4. Haftungsbeschränkung

Radio Systems Corporation oder eines ihrer verbundenen Unternehmen ist in keinem Fall für (i) etwaige direkte, indirekte, Straf-, Zufalls-, Sonder- oder Folgeschäden und/oder (ii) jedwede Verluste oder Schäden haftbar, die sich aus der Verwendung bzw. dem Missbrauch dieses Produkts ergeben oder damit in Zusammenhang stehen. Der Käufer übernimmt, soweit dies gesetzlich zulässig ist, in vollem Umfang alle Risiken und Haftung aus der Verwendung dieses Produkts.

5. Modifizierung der Bedingungen

Radio Systems Corporation behält sich das Recht vor, die Bedingungen und Hinweise, unter denen dieses Produkt angeboten wird, zu ändern. Wenn Sie über solche Änderungen vor der Verwendung dieses Produkts informiert wurden, sind diese für Sie bindend, als wären sie hierin eingeschlossen.

PetSafe® products are designed to enhance the relationship between you and your pet. To learn more about our extensive product range which includes Containment Systems, Training Systems, Bark Control, Pet Doors, Health & Wellness, Waste Management and Play & Challenge products, please visit www.petsafe.net.

Les produits PetSafe® sont conçus pour améliorer la relation entre vous et votre animal de compagnie. Pour en savoir plus sur notre vaste gamme de produits, comprenant des systèmes de confinement, de dressage, de contrôle de l'aboiement, des chatières, des produits consacrés à la santé et au bien-être, de gestion des déjections, ainsi qu'au jeu et aux défis, rendez-vous sur notre site www.petsafe.net.

PetSafe®-producten zijn ontworpen om de relatie tussen u en uw huisdier te verbeteren. Bezoek onze website op www.petsafe.net voor meer informatie over onze uitgebreide productreeks die onder meer omheiningssystemen, trainingssystemen, blafbeheersing, kattenluiken, gezondheid en welzijn, afvalbeheersing en producten voor spel en uitdaging omvat.

Los productos PetSafe® están diseñados para mejorar la relación entre usted y su mascota. Para saber más acerca de nuestra amplia gama de productos, que incluyen limitadores de zona, sistemas de adiestramiento, control de ladridos, puertas para mascotas, salud y bienestar, gestión de residuos y productos de juego y reto, visite www.petsafe.net.

I prodotti PetSafe® sono progettati per migliorare la qualità della relazione tra voi e il vostro cane. Per ulteriori informazioni sulla nostra estesa gamma di prodotti comprendente sistemi antifuga, soluzioni per l'addestramento, controllo dell'abbaio, porte per animali domestici, i prodotti della linea salute e benessere, gestione dei rifiuti e gioco e prova, visitare: www.petsafe.net.

PetSafe® Produkte sind darauf ausgelegt, die Beziehung zwischen Ihnen und Ihrem Haustier zu verbessern. Um mehr über unsere breite Produktpalette zu erfahren, die Rückhaltesysteme, Trainingssysteme, Bellkontrolle, Haustiertüren, Gesundheit & Wellness, Haustiertoiletten und Sport und Spiel umfasst, besuchen Sie bitte uns auf www.petsafe.net.

Radio Systems Corporation
10427 PetSafe Way
Knoxville, TN 37932
(865) 777-5404

Radio Systems PetSafe Europe Ltd.
2nd Floor, Elgee Building, Market Square
Dundalk, Co. Louth, Ireland
+353 (0) 76 892 0427

www.petsafe.net

400-1757-19/1

©2015 Radio Systems Corporation

DO NOT PRINT THIS PAGE

Radio Systems [®] CORPORATION The world leader in pet training products	RSC Part #: 400-1757-19	
	Description: MANUAL MINI PET FOUNTAIN UK EU AU ROHS	
	Created by: TL	Updated by: TL
	Initial Creation Date: 9/27/2013	
	Approved by: L. Blake	
	Date Approved: October 5, 2015	
	Program used: INDESIGN CC 2015	
	Revision: 001 ECO: RSC12854	
	Revision Description: Sustaining updates	
	Revision Date: September 9, 2015	
Material: 80g Wood Free Paper Color: White Printing: Black Finishing: Die Cut, Fold, 2 Saddle Stitch, and Bulk Pack		