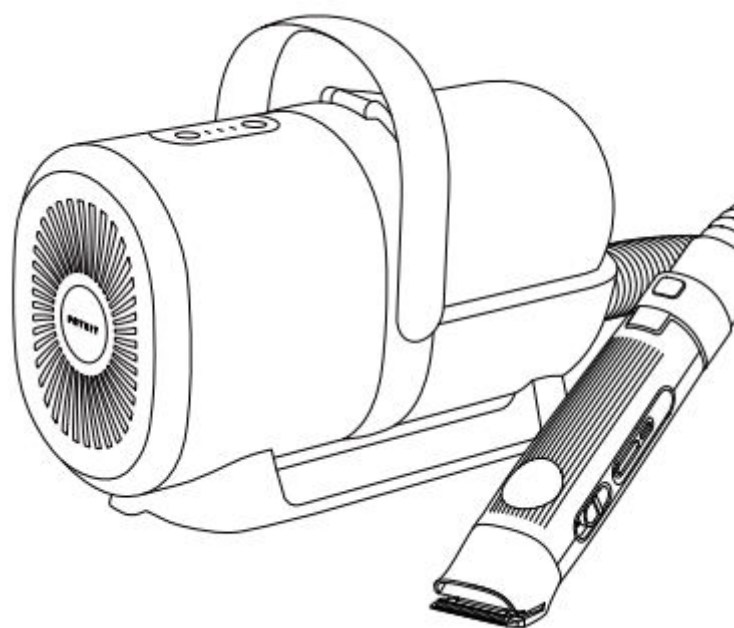


PETKIT



Pet Grooming Kit

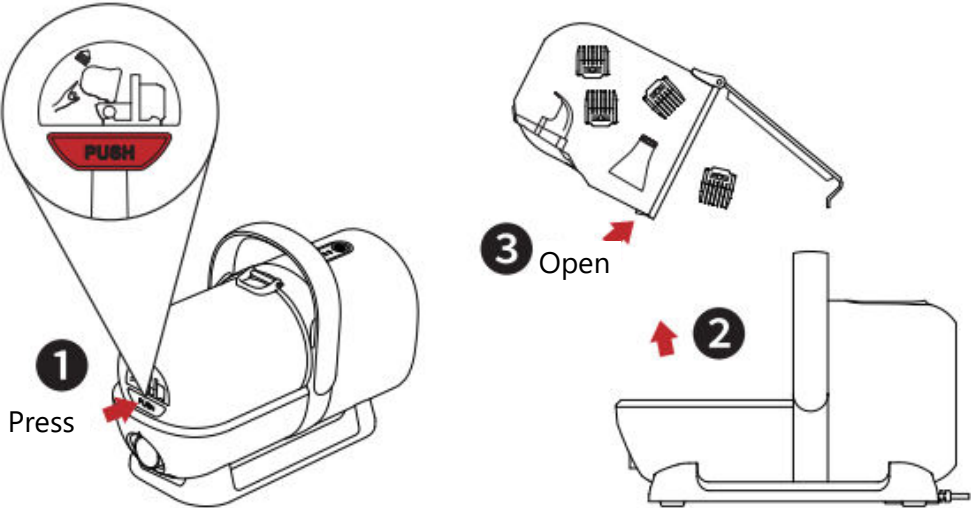
User Manual • Užívateľský manuál •
Užívateľský manuál • Használati utasítás

Please read the user instruction carefully prior to product use and keep it in a safe place.

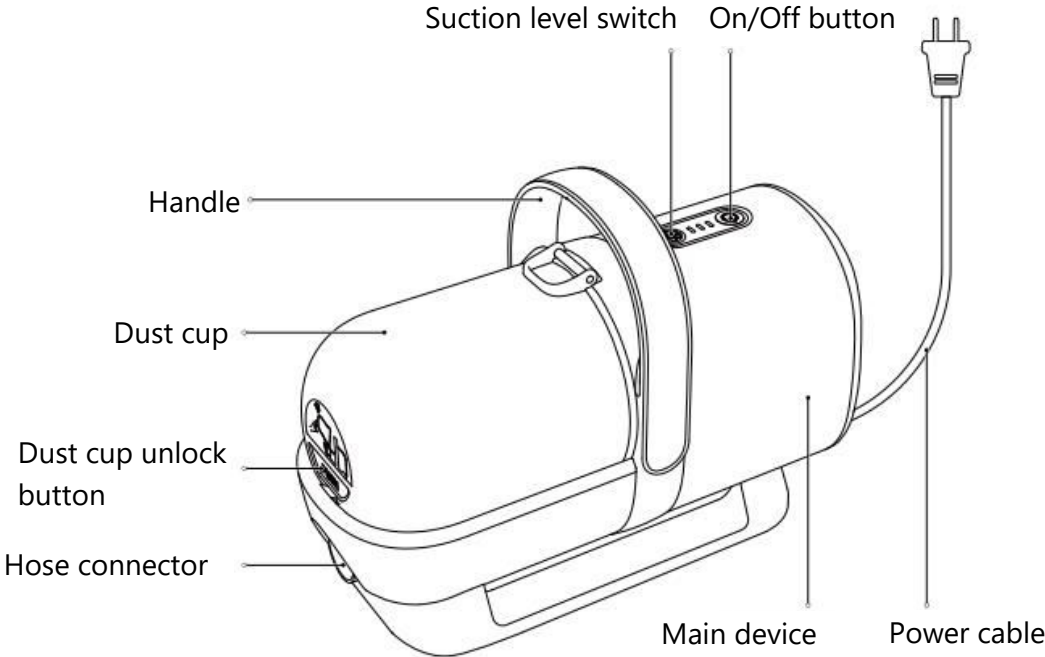
Reminder

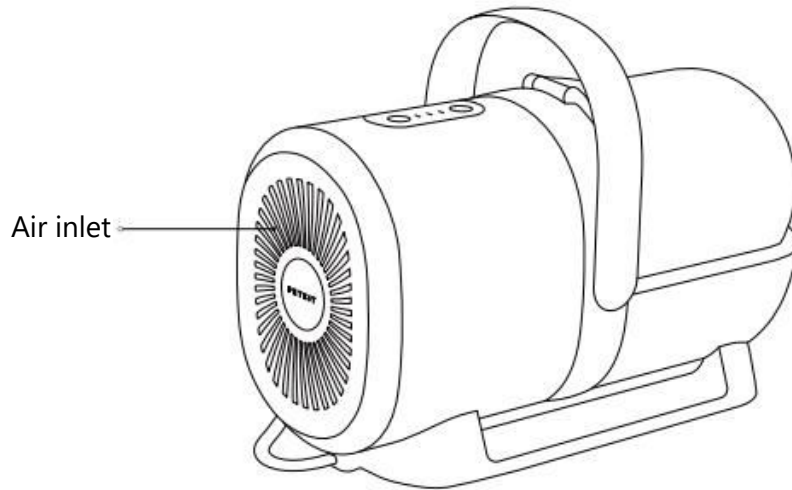
Before use

1. Press the PUSH button on the front side of the dust cup.
2. After the dust cup is lifted slightly, it can be removed.
3. Open the dust cup buckle and take out the functional parts.



Product List





Functional Parts



Electric clipper x
1
(Including body
fur trimmer)



Paw trimmer x1



Grooming brush
x 1

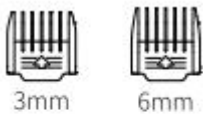


Deshedding
brush x 1



Crevice tool x 1

Accessories



3mm

6mm



9mm

12mm

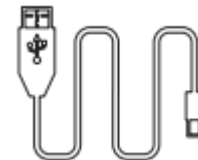
Electric clipper comb
attachments x 4



Cotton filter x 2



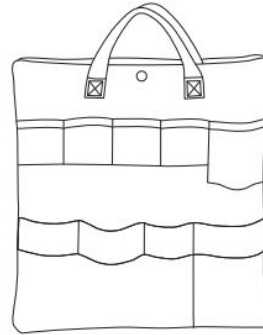
Hepa filter screen
x 2



Electric clipper TYPE-
C Charging cable x 1



Soft hose x 1

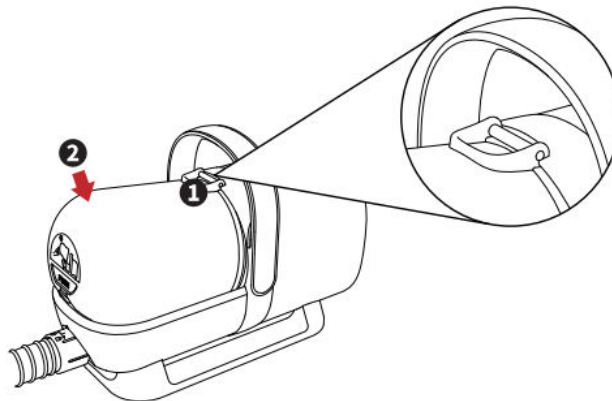


Storage bag x 1

Product Installation

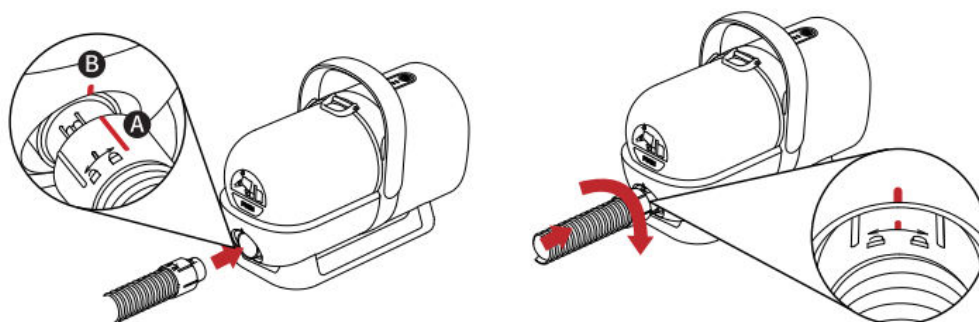
Dust cup installation

1. Align the dust cup buckle with the main device slot.
2. Press end of the dust cup until heard a "click" sound, which means the installation is successful.



Soft hose installation

Align point **A** of the hose with the hose connector point **B**, after inserting screw it clockwise to the end to ensure that the point **C** is aligned with point **B**

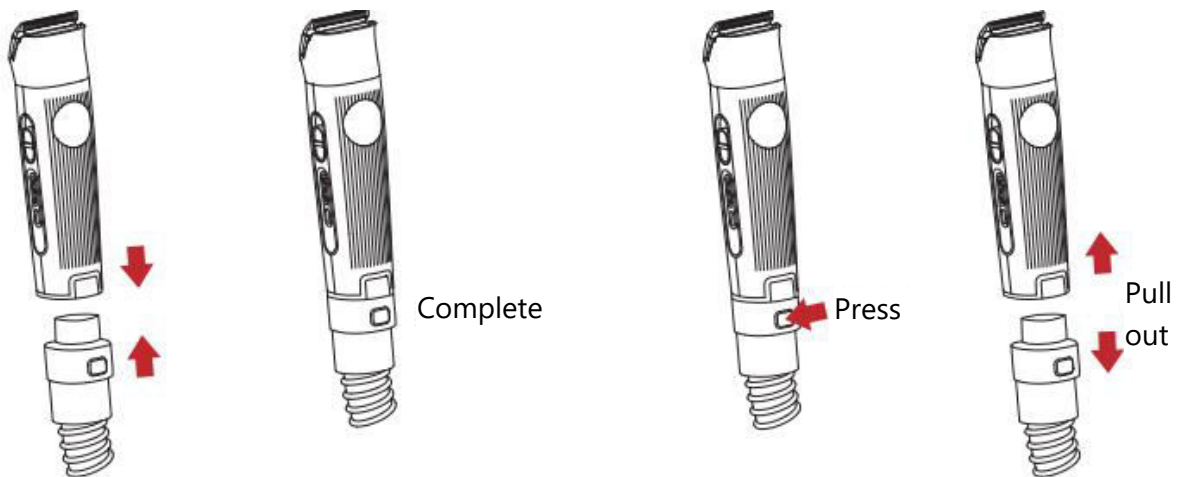


Gently pull the soft hose after installation. If it cannot be pulled out, which means it is installed in place.

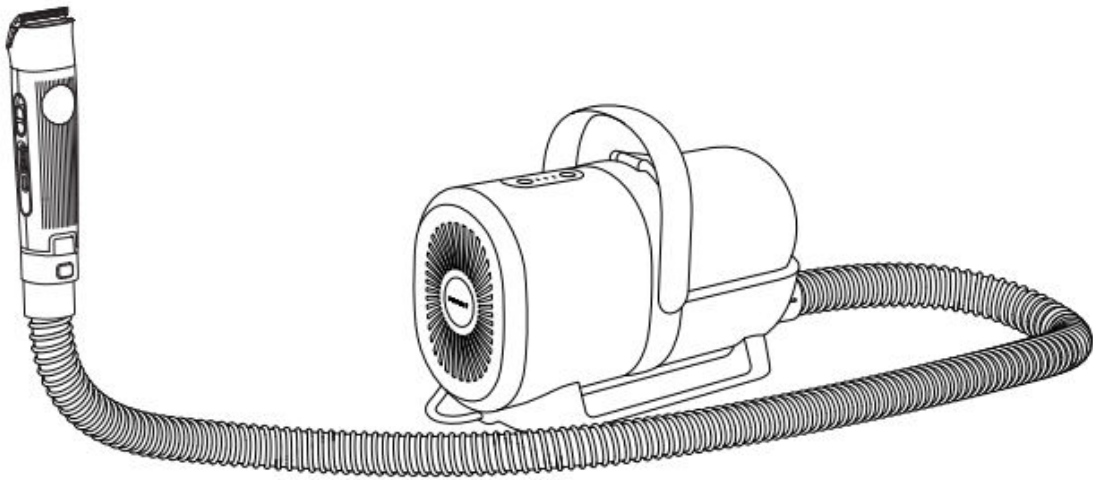
Functional parts installation and removal

Following picture uses electric clippers as an example, and the installation method of other functional parts is the same)

1. Functional parts installation: Insert the hose connector into the functional part and fasten tightly.
2. Functional part removal: Press the button on the hose lightly to remove the functional part.



Assembly completed

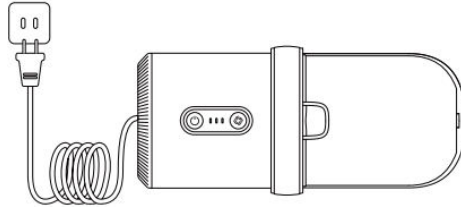


⚠ During use, the hose must not be folded or squeezed, otherwise it will affect normal usage.

Product Use

Turn on device and mode selection

1. Insert power cable, press On/Off button to start the device.



On/Off button

On/Off: Short press



Suction switch button

Suction switch: short press

2. 3 suction level to select



Level 1



Level 2



Level 3

Note: This product has a voltage error protection setting, when the indicators flash at the same time, and there is a “drip” sound when pressing the button. Please check whether the power input voltage is wrong.

Electric Clipper

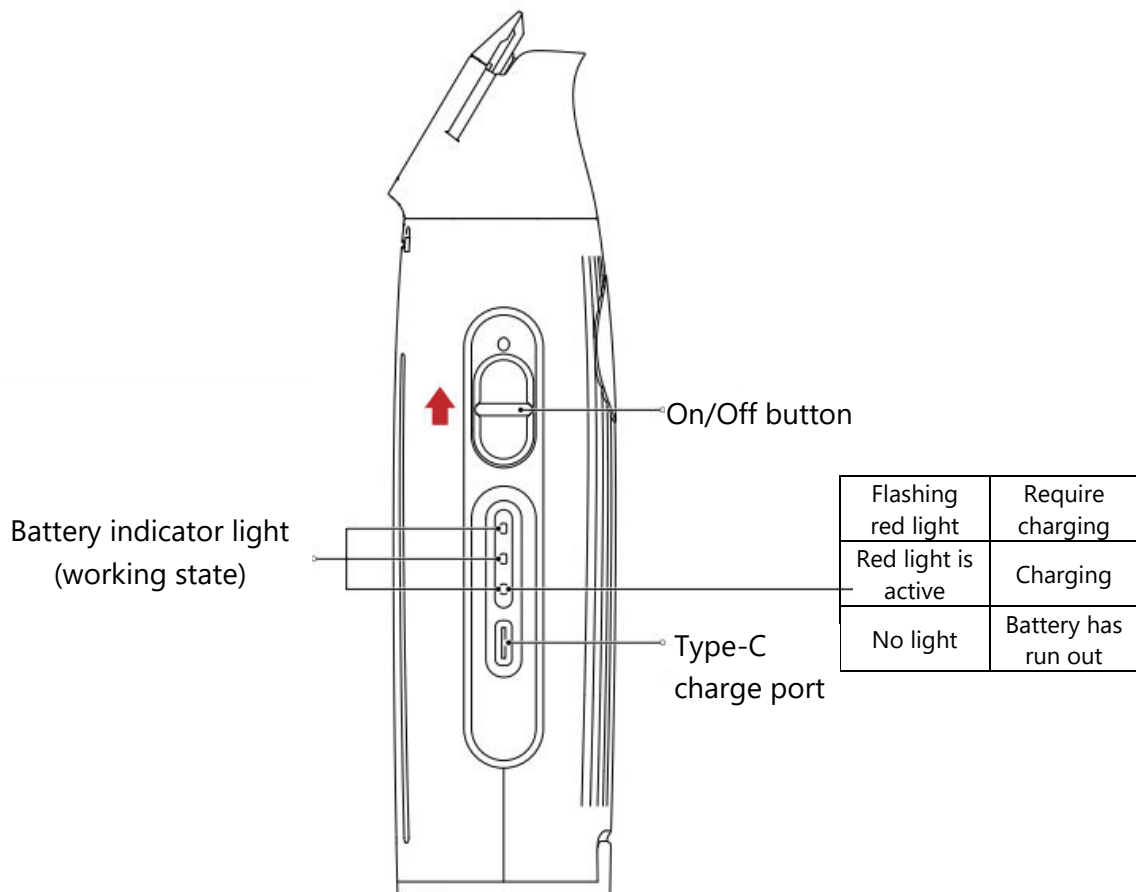
Can be used for daily fur trimming, the body fur trimmer can shave body fur and the Paw trimmer can shave paw fur and fur around the eyes.

Note: Please be careful around the soft area of pet’s skin, do not use excessive force to avoid skin scratches.

Buttons and indicator light description

To avoid damage to the product, please use a power adapter with an output of DC 5V 1A for charging.

The electric clipper is equipped with over-charging voltage protection. When the charging voltage reaches 6V or above, the charging power supply will turn off, and blue and red indicator lights will flash alternately, indicating that the charging high-voltage protection function has been activated; at this time the device cannot be charged, charging can resume again after replacing with the correct power adapter.

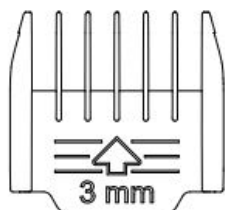


Battery indicator light (working state)	
Three blue lights are on	Full battery state
Two blue lights are on	Medium battery state
One blue light is on	Low battery state

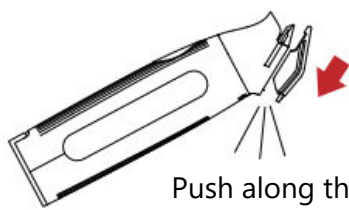
Battery indicator light (charging state)	
Three blue lights are on	Battery is fully charged

Comb attachments use

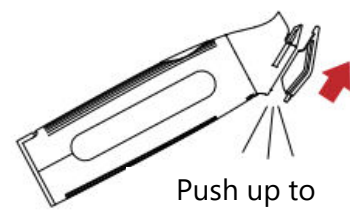
When using comb attachments, please reserve a safe distance to effectively control the overall full length.



The reserved length is marked, allowing precise fur shaving



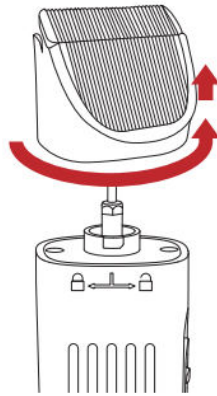
Push along the grooves on both sides of the trimmer



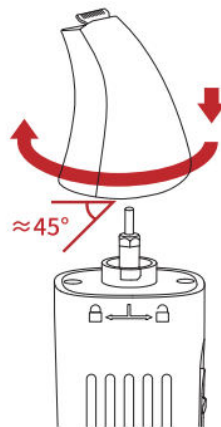
Push up to remove

Replacement of trimmer

Turn the attachment counterclockwise to the end and take it out upwards.

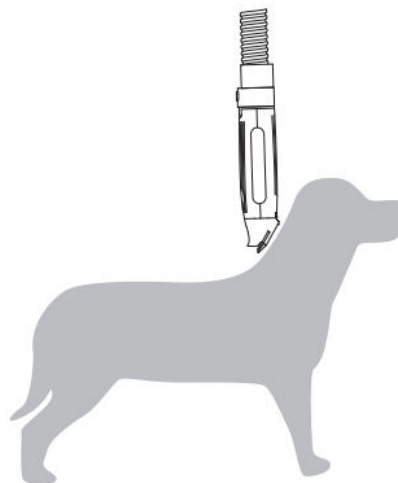


Vertically install the replacement attachment at an angle of 45° and rotate it clockwise to the end.

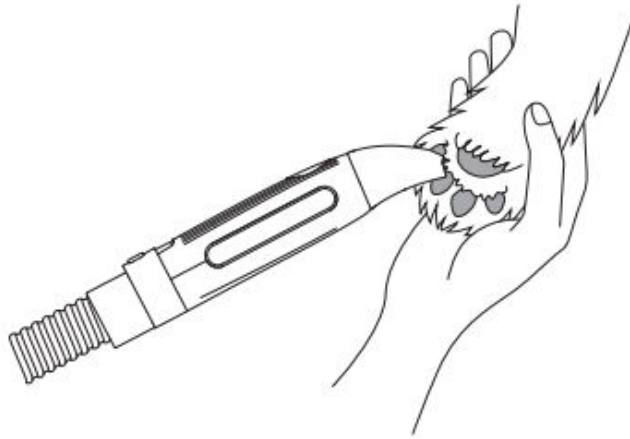


Electric trimmer use instructions

Note: Remember to pay attention to the clipper edge and sharp position during use, and don't use excessive force to avoid skin scratches.



Body trimmer: Trims the overall fur length
For beginners, it is recommended to use it with comb attachments.

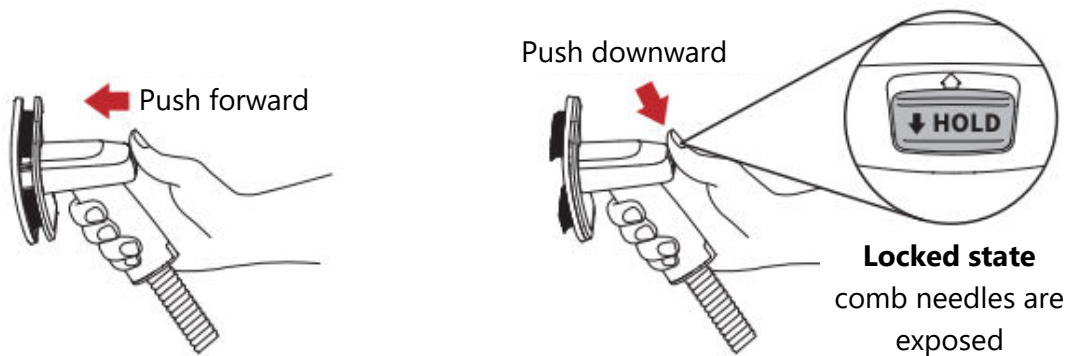


Paw trimmer: trimming fur around feet, eyes and ears.

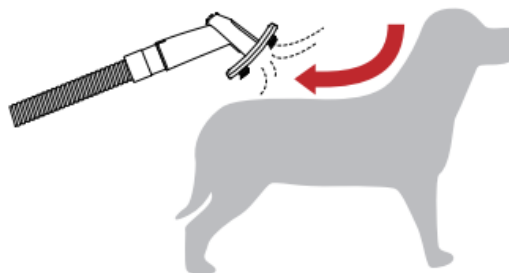
Grooming brush

Can clean the remaining loose fur and dandruff on the pet's body, and also pulls the fur, making the fur more fluffy.

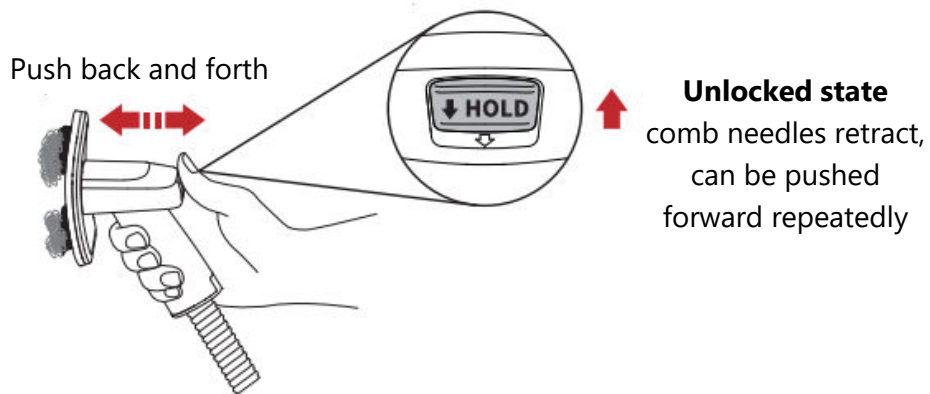
1. Press the HOLD button and push it forward to the end, then push the HOLD button downward to complete the locking before start use.



2. Install the Grooming brush on the hose, turn on the device, and comb along the direction of pet fur.



3. When the Grooming brush accumulates a certain amount of fur, push the HOLD button up to unlock the comb, and push it forward repeatedly until the fur is sucked into the dust cup.

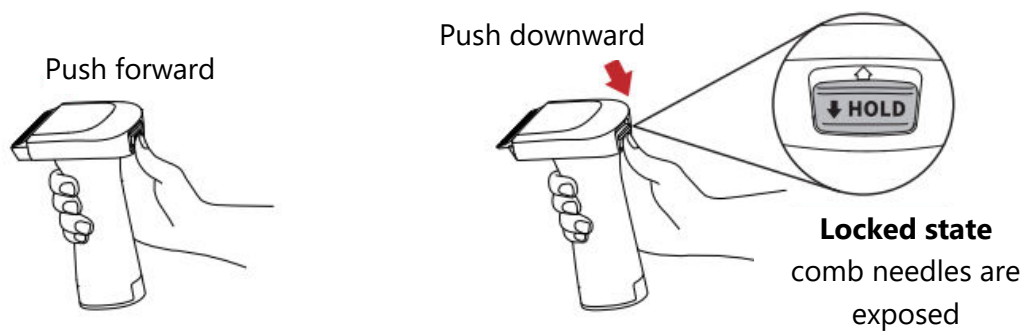


When the Grooming brush is not in use, it is recommended to adjust the HOLD button to the unlocked state for easy storage.

Deshedding brush

Can comb away remaining fur and dandruff and can thin and unknot the fur.

1. Press the HOLD button and push it forward to the end, then push the HOLD button downward to complete the locking before use.

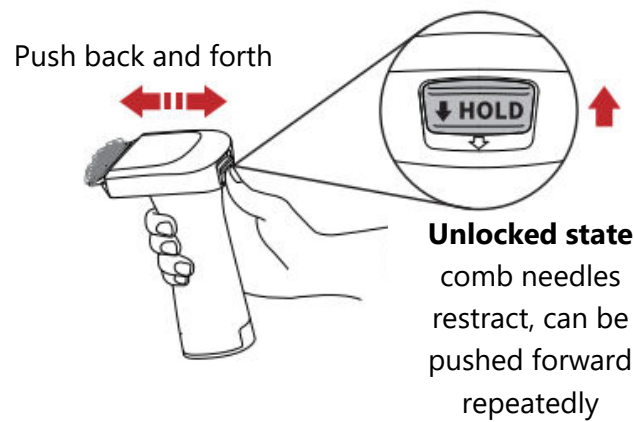


2. Install the Deshedding brush on the hose, turn on the device, and comb along the direction of pet fur.

Note: Please be careful on the soft area of the pet's skin, and don't use excessive force to avoid skin scratches.



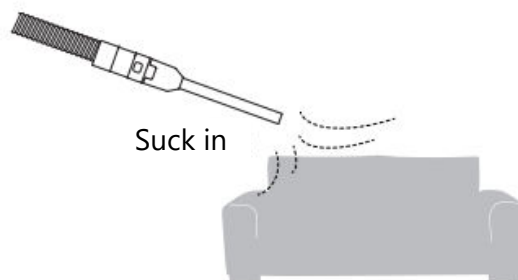
3. When the Deshedding brush accumulates a certain amount of fur, push the HOLD button up to unlock the comb, and push it forward repeatedly until the fur is sucked into the dust cup.



When the fur Deshedding brush is not in use, it is recommended to adjust the HOLD button to the unlocked state for easy storage.

Crevice tool

Can be used to clean fur, small objects and dust in the corners of carpets and sofas.



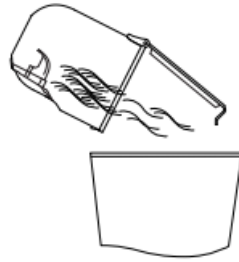
Maintenance & Cleaning

Dust cup cleaning

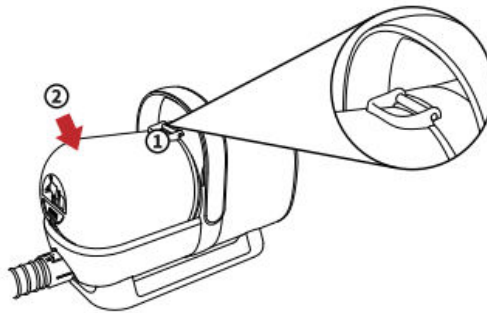
1. Press the PUSH button and wait for the dust cup to lift up slightly to remove the dust cup.



2. After opening the dust cup lid, remove the fur and clean the dust cup.




3. Align the dust cup buckle with the slot of the main device and press the end of the dust cup. After heard a "click" sound, the installation is successful.



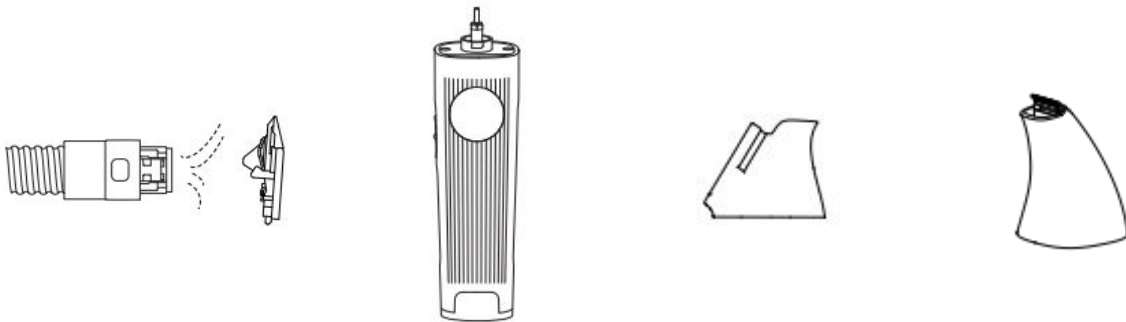
Electric clipper cleaning

1. Push out the blade on the front side of the trimmer in the arrow direction.



 Electric clipper body cannot be washed.

2. Turn the device, use the hose to suck off the residual hair on the body fur trimmer, body fur clipper holder, Paw trimmer and electric clipper main body.



Body fur trimmer blade Electric clipper body Body fur clipper holder Paw trimmer

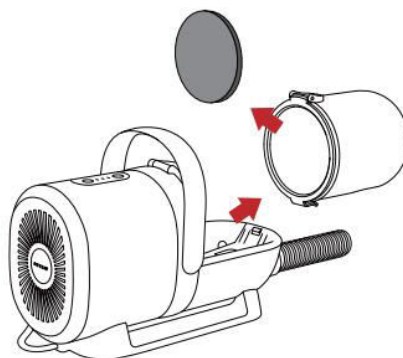
(The above picture takes the body fur trimmer blade as an example, and the cleaning method of other parts is the same)

3. Insert the bottom point **D** of the clipper blade into the groove point **E** of the clipper holder (as shown in the picture), press the clipper blade until heard a "click" sound, then the installation is successful.

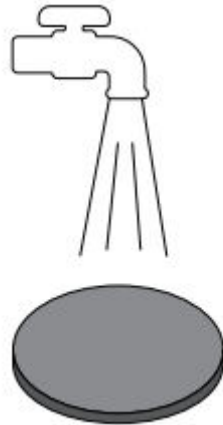


Filter cotton cleaning

1. Turn off power supply, remove dust cup and filter cotton.



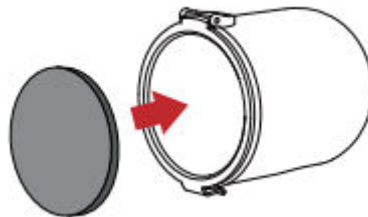
2. Rinse the filter cotton in cold water and wring it out.



3. Place in a ventilated place to dry for more than 24 hours until completely dry.



4. Place the dried filter cotton back on the cup.

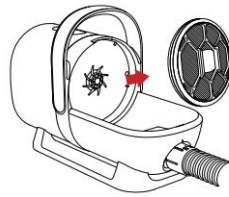


 Note:

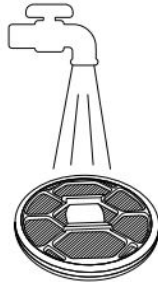
- The filter cotton should be washed regularly with cold water.
- Depending on usage frequency, the maintenance period also differs, please clean regularly.
- When cleaning, remember to turn off the power and unplug the plug from the socket.
- Be sure to install the filter cotton after it is dry, filter cotton that is not dried will cause electric shock and device malfunction.

Hepa filter screen cleaning

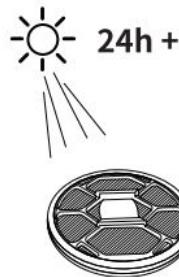
1. Turn off the power, take out the dust cup and the Hepa filter screen.



2. Rinse the Hepa filter screen with cold water and dry it after washing.

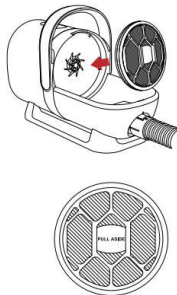


3. Place in a well-ventilated area to dry for over 24 hours until completely dry.



4. Install the dried Hepa filter screen back

Note: the front is facing outward (the lettering is on the front)



Note:

- Hepa filter shall be cleaned with cold water at least once a month.
- It is recommended to replace the Hepa filter screen if the suction is insufficient.
- The maintenance period varies according to the frequency and condition of use. Please clean it regularly.
- Please be sure to cut off the power and unplug it when cleaning.
- Please be sure to install the Hepa filter screen after drying. Use wet Hepa filter screen may cause electric shock and device failure.

Basic Specifications

Main device parameters

Product name	PET GROOMING KIT (PETKIT AIRCLIPPER 5-in-1)
Product model	LM4
Main device dimensions	309 x 220 x 140mm
Recommended pet types	Cats and dogs aged 6 months and above
Product material	ABS
Total weight	Approx.. 3.15kg
Soft hose length	1.5m
Dust cup capacity	1.4L
Power cable length	2.5m
Maximum noise	75dBa

Electric clipper parameters

Input	DC 5V 1A
Power rating	5W
Charge time	Approx. 3 hours
Operation duration	Approx. 2.5 hours
Lithium battery	3.7V 1400mAh

A Message to Our Valued Customers

- Thank you for purchasing PET GROOMING KIT (PETKIT AIRCLIPPER 5-in-1). We at PETKIT have done our best to make life easier for you and your pets with technology.
- Please carefully read the User Manual before using the product. By setting up and using this product, you are acknowledged that you have already read and accepted the safety guidelines listed below.
- We are not liable and will not accept responsibility for any accidents or injuries that result from improper use of this product.
- PETKIT reserves the rights of interpretation and revision.

User Safety Guide

Failure to follow the safety guides outlined below result in product malfunction, or other accidental losses.

- This device is only suitable for indoor use in a dry environment, do not use it on wet ground.
- Please place the device on a hard and flat surface for use, and do not place on a soft and uneven object to prevent the device from falling.
- Do not use or store this product in damp places such as outdoors or bathrooms.
- It is forbidden to suck in wet hair and liquid, so as not to cause device short circuit.
- The device is to be used on cats and dogs over 6 months old.
- Minors are prohibited from using this device.
- Do not operate with wet hands or unplug the power cord to avoid malfunction and electric shock.
- Before use, please make sure the air inlet is not blocked.
- It is forbidden to use this product in areas with flammable liquids or combustibles, and do not suck in highly flammable items (such as cigarette butts, etc.), so as not to cause fire or explosion.
- The product may have a strange smell during first time use, but it will not cause any adverse effects on your pet, and the smell will disappear after a period of time, thank you for your understanding.
- If the device has persistent burnt smell, stop use immediately!
- Please clean the dust cup and filter cotton regularly to avoid excessive dirt buildup and device malfunction.
- During maintenance and cleaning, please make sure that the power cord is removed.
- If the device temperature rises abnormally during use, please stop use immediately.
- Do not pinch or pull the power cord, and do not place heavy objects on top of the device.
- If the device motor heats up abnormally or the air inlet is blocked, please stop use immediately, take out the dust cup, make sure the air inlet and filter cotton are clean, and turn on the device after 60 minutes.
- Before use, please ensure that the filter cotton and filter screen have been installed to avoid damage to the motor.
- Pets biting the electrical wire will cause electric leakage, please ensure pet safety.
- For prolonged storage, please switch off the power first and then unplug the power cord.
- Please do not place it in direct sunlight and keep it away from ignition sources.
- Please do not use this product if the power cord or power plug is damaged.
- Do not soak this product in water.
- Do not stack items on top of the device.
- Please use the provided power cord, otherwise it will damage the equipment or cause potential safety hazards.

The device has been approved for use in EU countries and is therefore provided with the **CE mark**. All necessary documentation is available on the website: www.electric-collars.com
Changes to technical parameters, properties and printing errors reserved.

Service center and distribution

Reedog, sro

Sedmidomky 459/8 101

00 Prague 10

Phone: +1 646 980 4569

Email: info@electric-collars.eu