

Petwant PWS 102

Top up the water frequently

Keep the water level high.
When the fountain runs dry, the pump burns out.

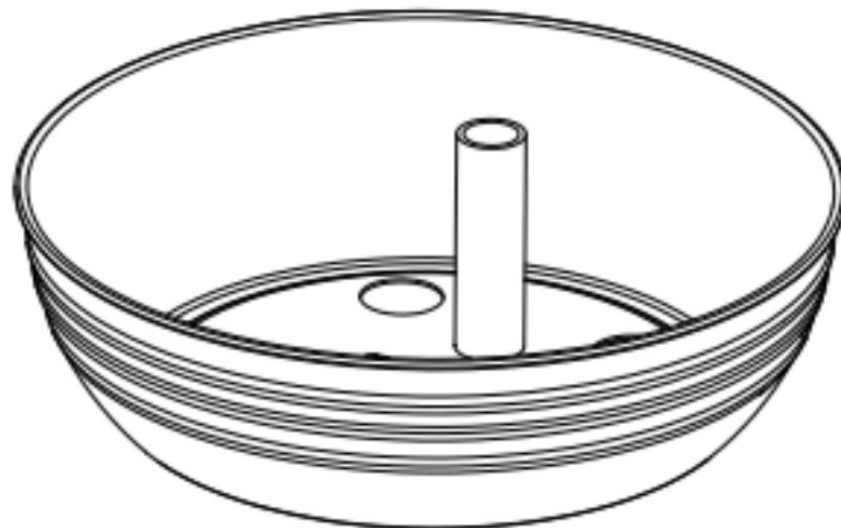
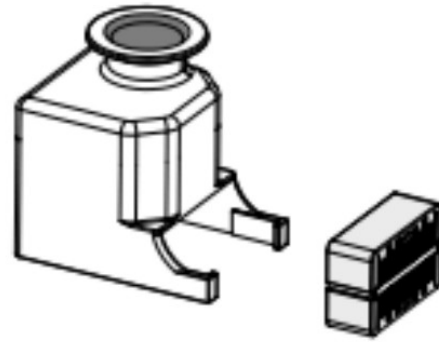
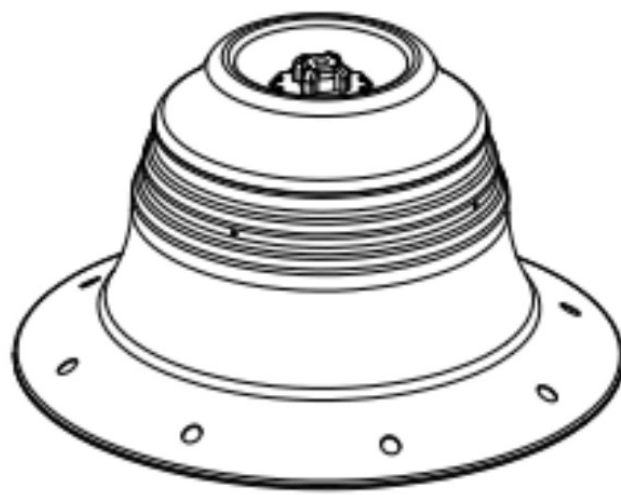
Clean the pump and the fountain

Clean your fountain every 2 or 4 weeks with soap. After cleaning, make sure that there is no soap stuck to the fountain.

Replace the filter

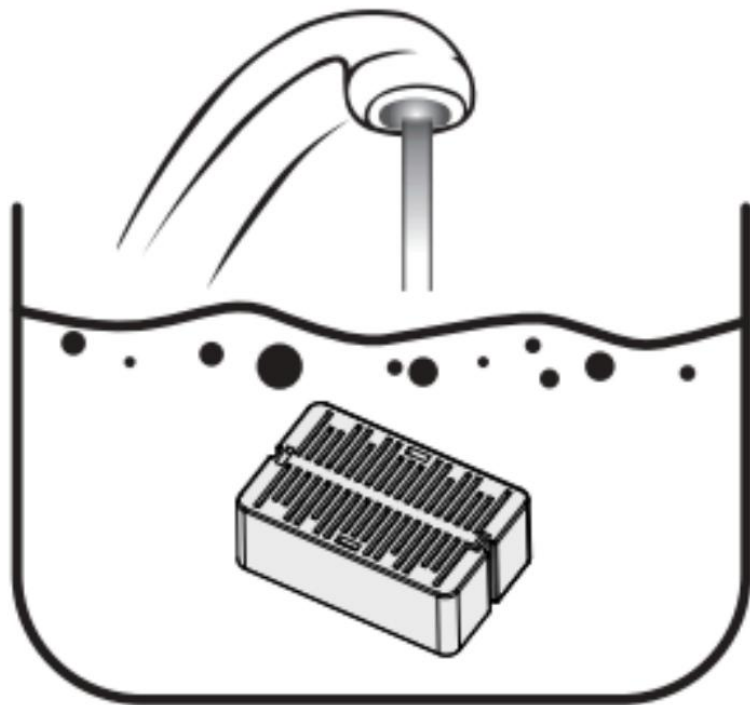
You should change the activated carbon filter every 4 weeks.

Foam filter every 2 months.

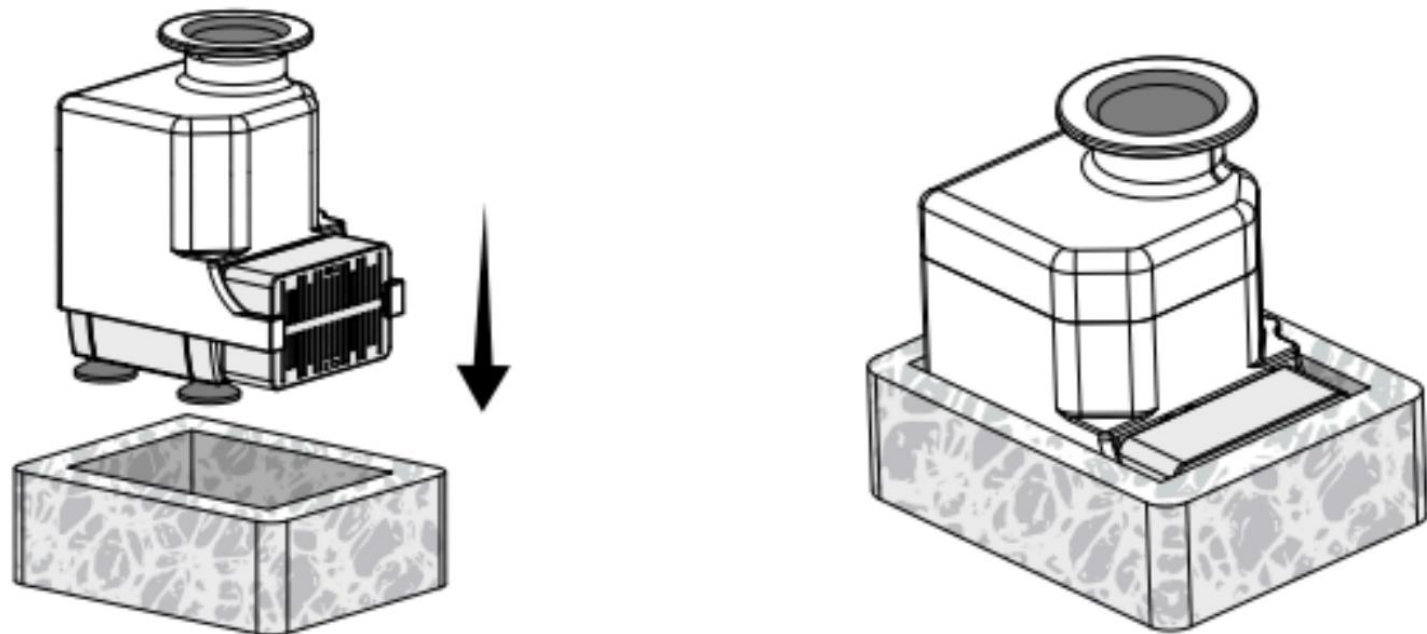
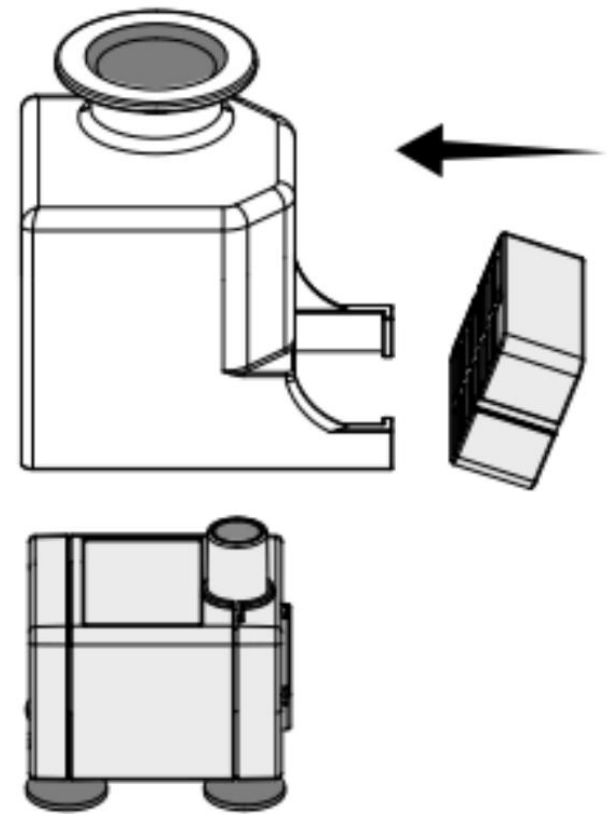


Setting the fountain

1 Install the filters and pump

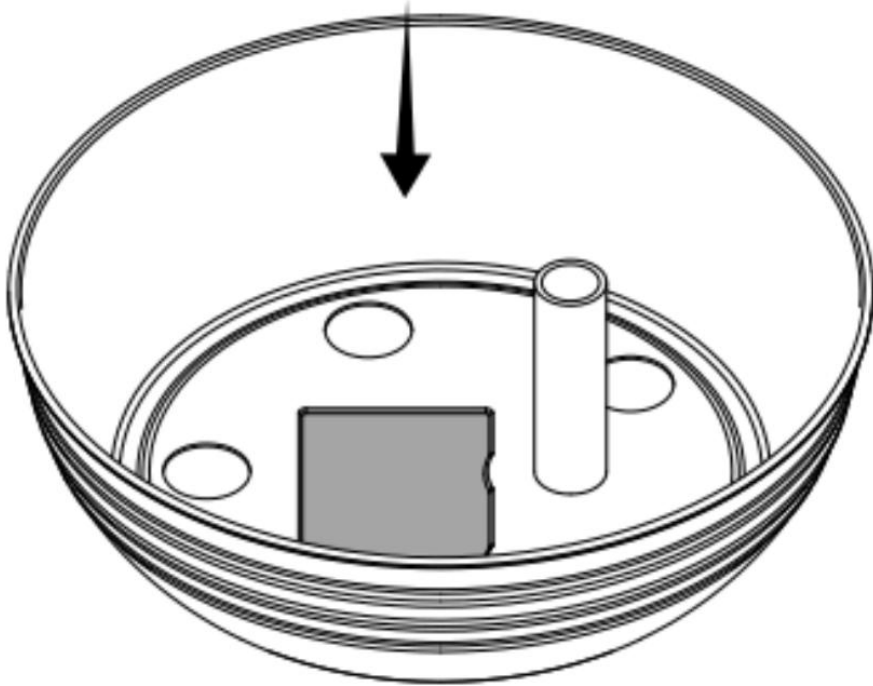


Wash the activated carbon filter to prevent excess activated carbon dust.

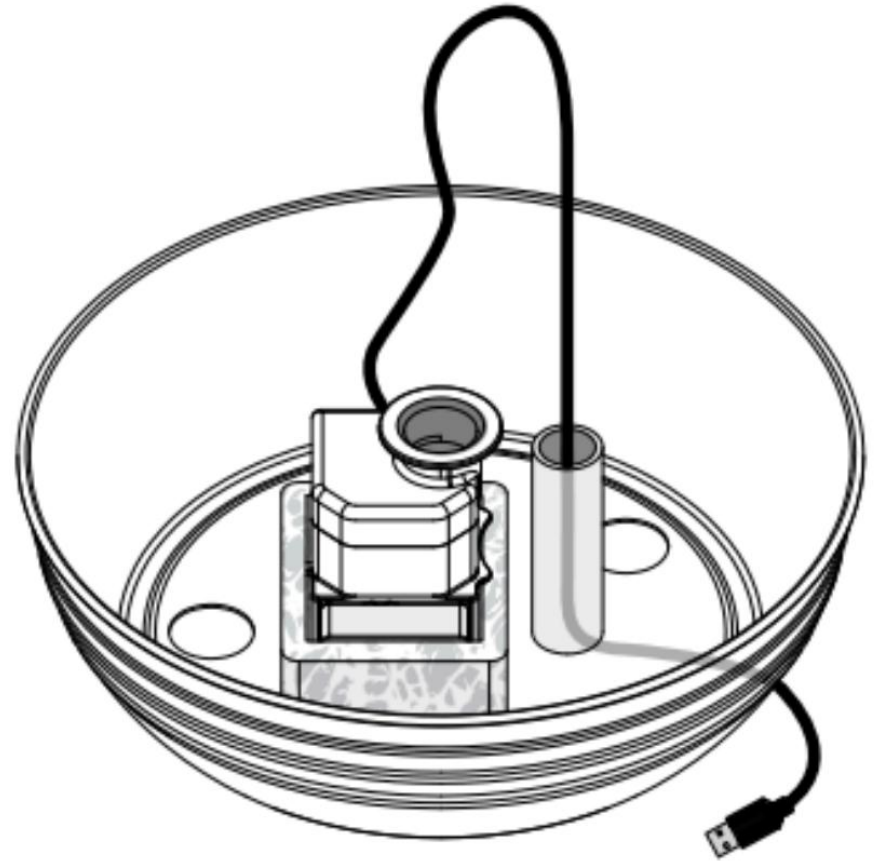


Assemble the pump bracket, assemble the activated carbon filter.
Place the foam filter so that the foam surrounds the pump.

2 Install the fountain cover

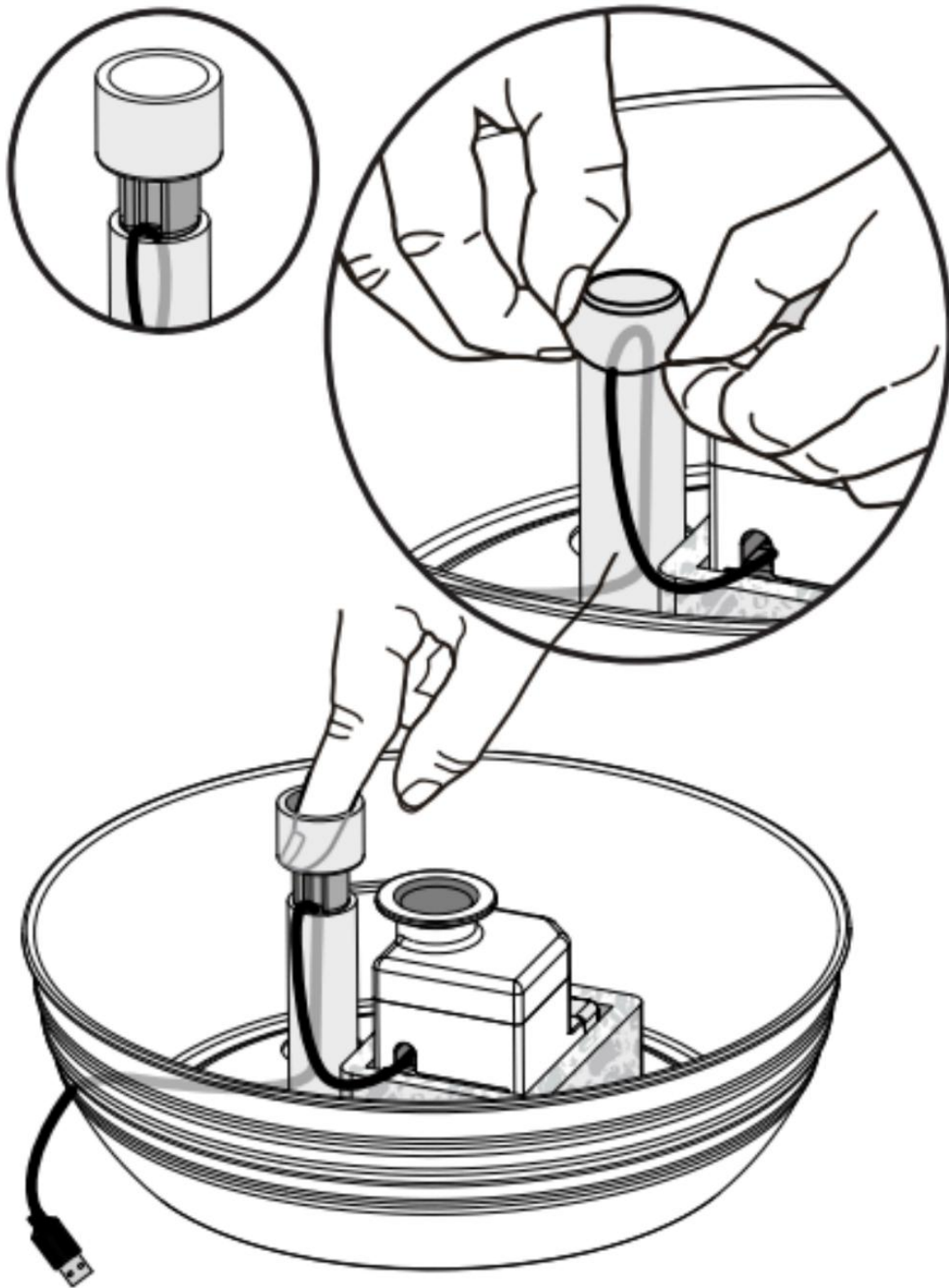


Insert the pump into the foam filter and place both on the square in the bottom of the bowl. Push down.

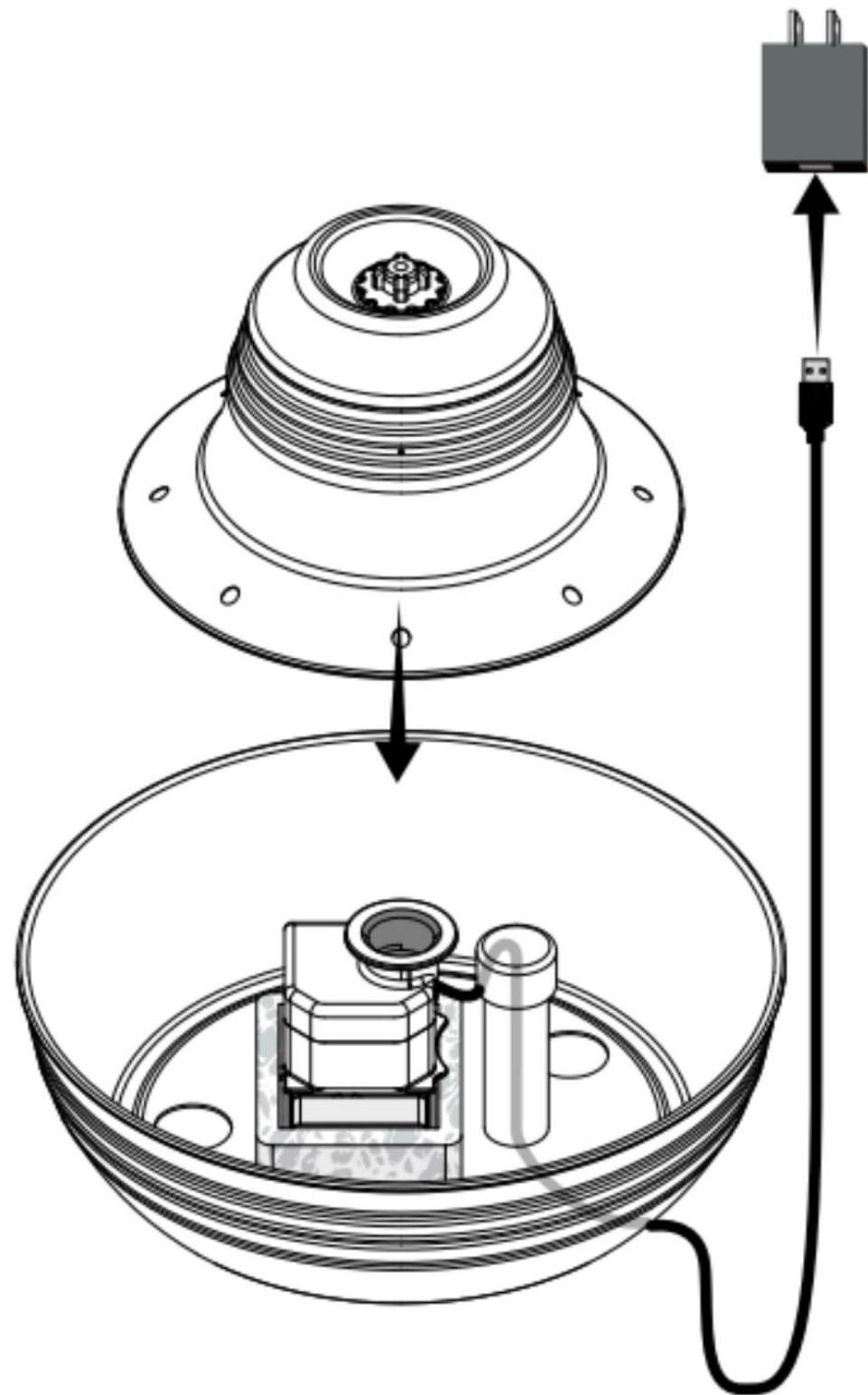


Route the cable through the tunnel and out of the bowl base.

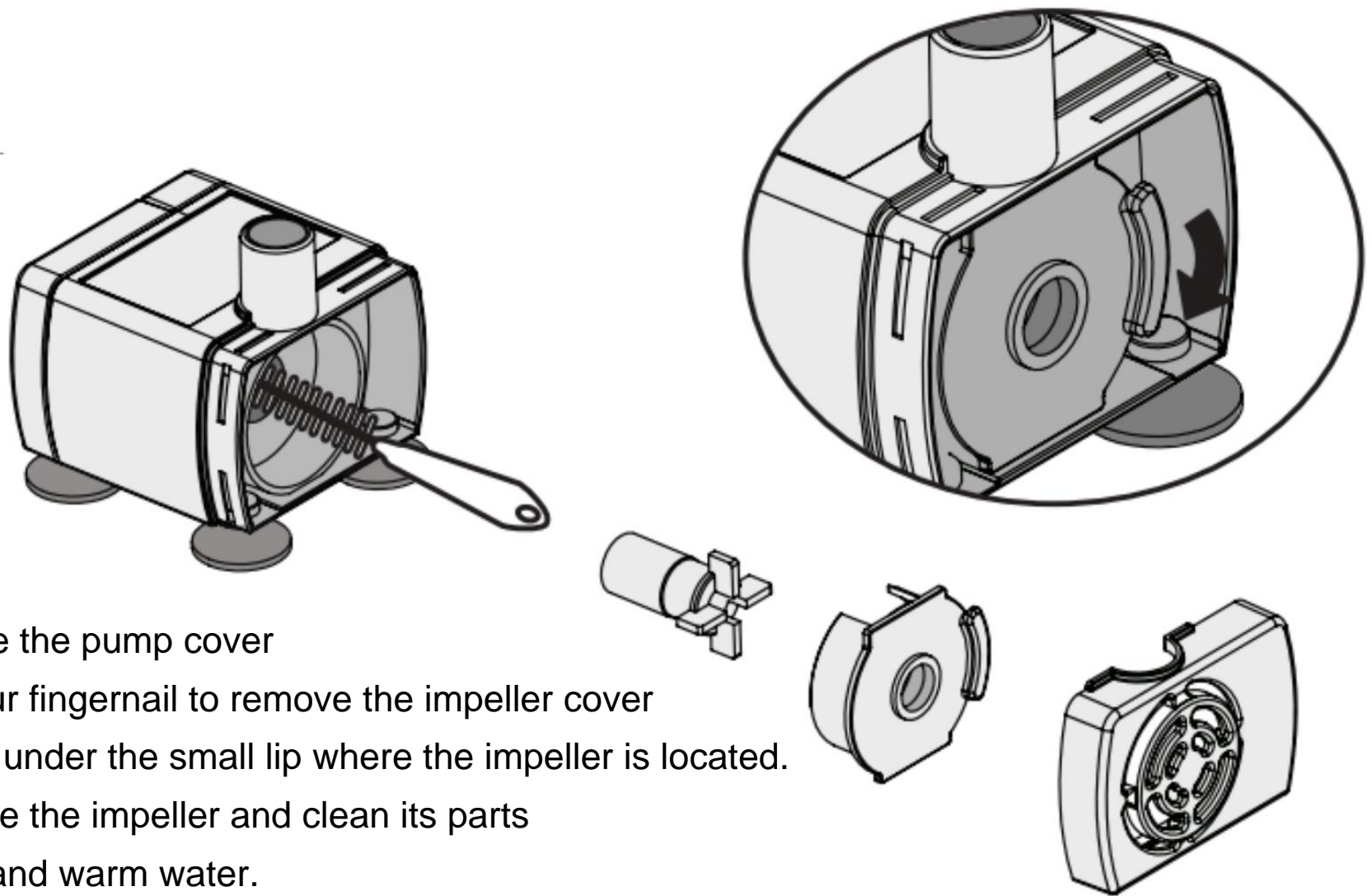
3 Install the rubber sealing cap



Place the silicone cap and fold its top edge down over the top edge through the tunnel. This will keep the cable in place and prevent water from leaking.



Place the tower on the filter body and press down on the silicone gasket to seal. Connect the power adapter



1. Remove the pump cover
2. Use your fingernail to remove the impeller cover by placing it under the small lip where the impeller is located.
3. Remove the impeller and clean its parts using soap and warm water.

Notice 1.

Please remember to turn off and disconnect the power for safety reasons when the device is not in use.

2. This product is for indoor use only.
3. The power adapter and wire plug must not be flooded during cleaning.
4. This product must not be operated without water (can be ignored for models with automatic shut-off function without water).
5. Disconnect the power supply before maintenance and cleaning the machine.

The device has been approved for use in EU countries and is therefore provided with the CE mark. All necessary documentation is available on the website: www.elektro-objky.cz Changes to technical parameters, properties and printing errors reserved.

Service center and distribution

Reedog, sro

Sedmidomky 459/8 101

00 Prague 10

Phone: +420 216 216 106

Email: info@elektro-objky.cz