



protect. teach. love.

Freedom™ Aluminum Pet Door

Installation Guide for Small, Medium, Large and Extra Large

Please read this entire guide before beginning.



Model Numbers: PPA00-10859, PPA00-10860, PPA00-10861, PPA00-10862

Important Safety Information

Explanation of Attention Words and Symbols used in this guide



This is the safety alert symbol. It is used to alert you to potential personal injury hazards. Obey all safety messages that follow this symbol to avoid possible injury or death.

⚠ WARNING

WARNING indicates a hazardous situation which, if not avoided, could result in death or serious injury.

⚠ CAUTION

CAUTION, used with the safety alert symbol, indicates a hazardous situation which, if not avoided, could result in minor or moderate injury.

NOTICE

NOTICE is used to address safe use practices not related to personal injury.

⚠ WARNING

- When children are present in the home, it is important to consider the pet door during child proofing activities, the pet door may be misused by a child resulting in the child accessing potential hazards that may be on the other side of the pet door. Purchasers/Homeowners with swimming pools should ensure that the pet door is monitored at all times and that the swimming pool has adequate barriers to entry. If a new hazard is created inside or outside of your home, which may be accessed through the pet door, Radio Systems® Corporation recommends that you properly guard access to the hazard or remove the pet door. The closing panel or lock, if applicable, is provided for aesthetic and energy efficiency purposes and is not intended as a security device. Radio Systems® Corporation will not be liable for unintended use and the purchaser of this product accepts full responsibility for oversight of the opening it creates.
- Power Tools. Risk of severe injury; follow all safety instructions for your power tools. Be sure to always wear your safety goggles.

⚠ CAUTION

The user, prior to installation, must become familiar with all building codes that may affect the installation of the pet door and determine, along with a licensed contractor, its suitability in a given installation. This pet door is not a fire door. It is important for the owner and contractor to consider any risks that may be present inside or outside of the pet door, and any risks that may be created by subsequent changes to your property and how they may relate to the existence and use, including misuse of the pet door.

NOTICE

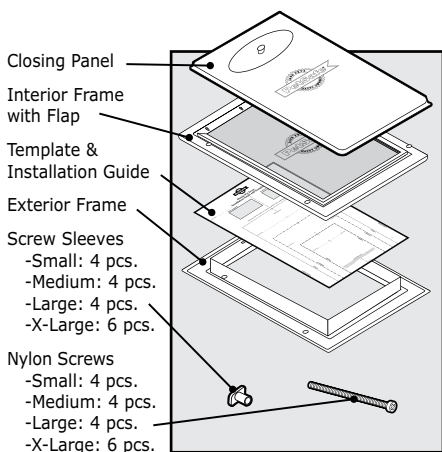
Keep these instructions with important papers; be sure to transfer these instructions to the new owner of the property.

Thank you for choosing the PetSafe® brand. You and your pet deserve a companionship that includes memorable moments and a shared understanding together. Our products and training tools promote a lifestyle of protection, teaching, and love—essentials that influence memories for a lifetime. If you have any questions about our products or training your pet, please visit our website at www.petsafe.net or contact our Customer Care Center at **1-800-732-2677**.

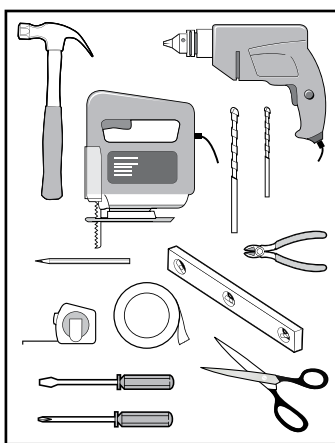
PRODUCT WARRANTY

To get the most protection out of your warranty, please register your product within 30 days at www.petsafe.net. By registering and keeping your receipt, you will enjoy the product's full warranty and should you ever need to call the Customer Care Center, we will be able to help you faster. Most importantly, PetSafe® will never give or sell your valuable information to anyone. Complete warranty information is available online at www.petsafe.net.

Kit Includes



Tools Needed



- Hammer
 - Jigsaw
 - Drill
 - ¼" & ⅜" Drill Bits
 - Wire Cutters
 - Slotted & Phillips Screwdrivers
 - Tape Measure
 - Masking Tape
 - Pencil
 - Level
 - Scissors
 - Safety Glasses
- Optional**
- Pliers
 - Caulk

NOTE: The PetSafe® Freedom Aluminum Pet Door can be installed in most doors and walls. Additional tools and materials, such as wood framing, may be required.

Want Professional Installation Help?

Invisible Fence® Brand installers (where available) will come to your home and install your new PetSafe® Pet Door for an additional cost. Contact the Customer Care Center at **1-877-866-DOGS (3647)** or visit our website at www.invisiblefence.com for more information.

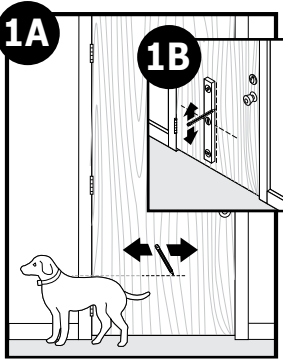
Key Definitions

- **Outer Frame Size:** Overall pet door dimensions
- **Cut Out Size:** Opening cut in homeowner's door for proper fit and pet door installation
- **Replacement Flap Size:** Overall flap size when removed from pet door. During extreme changes in weather, vinyl flaps can shrink during cold months and stretch in warmer months
- **Flap Opening Size:** Usable flap size for pet to enter and exit through pet door
- **Interior Frame:** Pet door frame on the inside of home
- **Exterior Frame:** Pet door frame on the outside of home

Installation Instructions

Step
1

Determine Pet Door Location



1A Measure and mark your pet's shoulder height on the door.

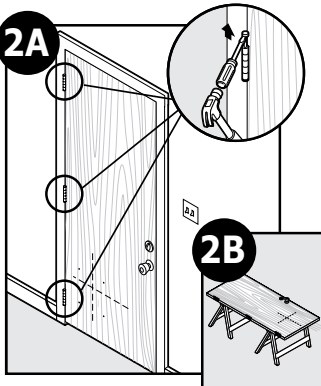
1B Determine location for the pet door. Draw a vertical center line through the shoulder height line using a level.

IMPORTANT

If homeowner's door or other application is not level, the pet door must be marked level to swing properly.

Step
2

Preparing Door

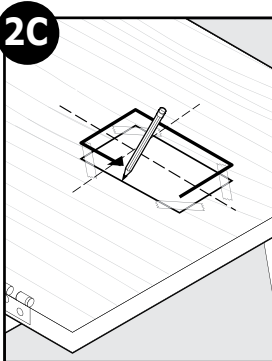


2A Remove door from hinges.

2B Place on a raised level surface such as saw horses.

Helpful Tip: Clamp or weigh down the door to prevent it from moving.

Note: The Pet Door can be installed with the door hanging based on your skill level.



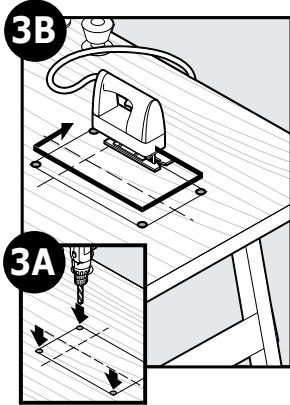
2C Cut out the correct template size. Match the marked lines on the door with the shoulder and center lines on the template. Tape the template in place and carefully trace template. Make sure to trace underneath tape and connect the corners. Now, remove the template and any excess tape from the door.

IMPORTANT

When applying template there should be a minimum of 3" between the bottom and sides of the door and the outer edge of the template to maintain the structural integrity of the door.

Step 3

Cut Pet Door Opening



3A Drill $\frac{3}{8}$ " holes in inside corners of drawn template. These will be the pilot holes for the saw blade.

Helpful Tip: Use both hands to hold drill steady and straight at a 90° angle.

3B Beginning in one of the holes you just drilled, cut along the drawn template lines. After cutting out the opening, you may need to recut to square opening. This is necessary for the pet door frame to fit correctly.

Helpful Tip: Use a proper saw blade according to door material (for example a wood blade for wood door and metal blade for a metal door). When cutting use both hands to hold the saw slow, steady and straight at a 90° angle. This will prevent the blade from cutting unevenly between interior and exterior areas of door.

IMPORTANT

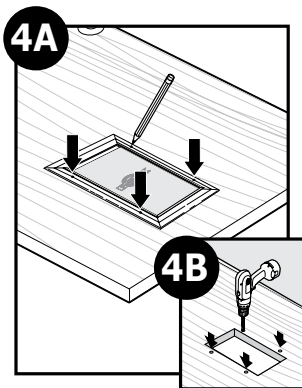
Make sure there is nothing underneath the door where you will be drilling the holes or cutting out opening.

Step 4

Mark & Drill Holes For Frame



Fit Check Before putting away the jigsaw, place the interior frame (frame with the flap) inside the cut out and check the fit. Then, place the exterior frame into the underside of the door to check the fit. If frames do not fit inside the opening, you may need to recut to square opening before proceeding with installation.



4A Hold the interior frame (the frame with the flap) in position. Mark the screw holes.

4B Remove the interior frame and drill $\frac{1}{4}$ " holes.

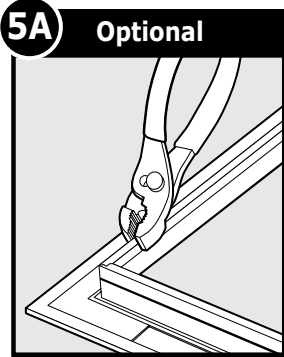
Helpful Tip: Use both hands to hold drill steady and straight at a 90° angle.

Note: Please note X-Large Freedom™ Aluminum Pet Door has 6 screw placement holes.

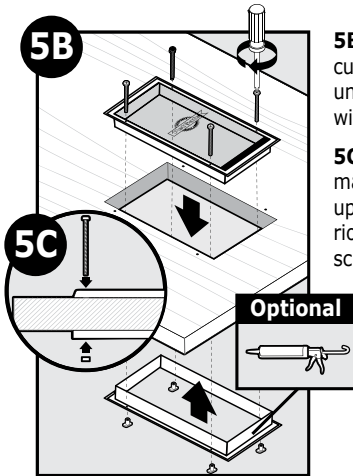
Step 5

Install Pet Door

Helpful Tip: Tape the flap up to keep it out of the way during the installation.



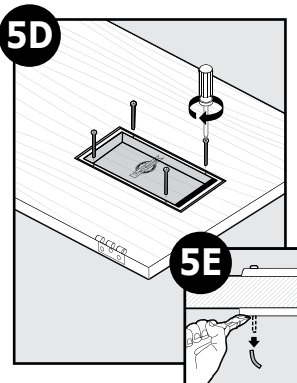
5A Optional: Depending if your door is 1" thick or less, break away core frames of the interior and exterior frames. Use pliers to slowly and steadily bend down small sections across frame at grooved line. Go across the frame again in the same direction working the excess frame into a 90° angle. Next go back across frame in the opposite direction to slowly break off the excess.



5B Place interior frame (frame with the flap) in cutout. Next place exterior frame into cutout from underside of the door. Hold frame pieces together with one hand.

5C Drop nylon screws through holes in frame and match screw sleeve to bottom side of each screw. Pull up screw to position screw sleeve flush into exterior frame. While continuing to hold frames, tighten screws until frames come together.

Optional: Caulk around the exterior frame (frame without the flap) and inside threshold where core frames meet for weather resistance.



5D Use a screwdriver to evenly tighten screws throughout frame. It may be necessary to adjust screws to make sure pet door fit is correct.

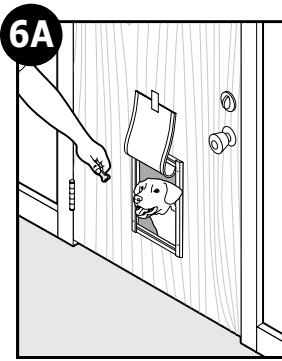
5E Cut off excess screw length with wire cutters. Hold wire cutters flush with frame for a clean, level cut.

Helpful Tip: Any rough edges of nylon screws left by wire cutters can be removed with a metal file.

IMPORTANT

Use a manual screwdriver to tighten the screws. Do not overtighten. Overtightening can strip the thread off the screws or bow pet door frame.

Step 6 Train Your Pet



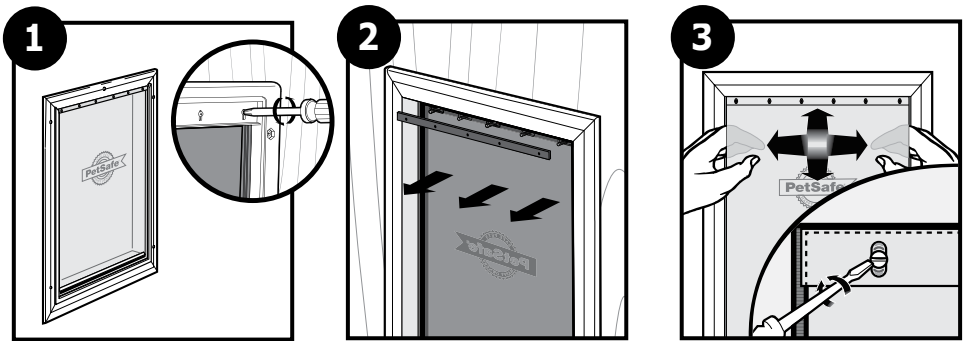
6A Rehang your door and begin training your pet. Tape the flap open to help your pet become familiar with the opening.

Helpful Tip: Try treats to encourage your pet to go through the pet door and become comfortable using it.

Replacement Flaps

Replace & Adjust

During extreme changes in weather, vinyl flaps can shrink during cold months and stretch in warmer months. Easily replace or adjust to ensure a snug fit during seasonal changes.



To Replace remove screws from the interior frame of pet door.

Remove bar and flap.

Replace new vinyl flap and position horizontally and vertically to fit into door frame. Replace existing bar and tighten screws in place.

To Adjust slightly loosen screws from interior frame of pet door.

Slightly move metal bar away from flap.

Adjust flap horizontally and/or vertically to fit into door frame. Push bar towards flap and tighten screws in place.

Replacement Parts

Replacement flaps can be purchased by visiting www.petsafe.net or by contacting our Customer Care Center at **1-800-732-2677**.

Freedom™ Aluminum Door Size	Replacement Flap Part Number
Small	PAC11-11037
Medium	PAC11-11038
Large	PAC11-11039
Extra Large	PAC11-11040

TERMS OF USE AND LIMITATIONS OF LIABILITY

- 1. Terms of Use-** This product is offered to you conditioned upon your acceptance without modifications of the terms, conditions and notices contained herein. Use of this product implies acceptance of all such terms, conditions and notices.
- 2. Proper Use-** Includes reviewing the safety information in the Installation Guide.
- 3. Limitations of Liability-** In no event shall Radio Systems® Corporation be liable for any direct, indirect, punitive, incidental, special or consequential damages whatsoever arising out of or connected with the use or misuse of this product. Buyer assumes all risks and liabilities from the use of this product.
- 4. Modifications of Terms and Conditions-** Radio Systems® Corporation reserves the right to change the terms, conditions and notices under which this product is offered.

Radio Systems® Corporation

10427 Electric Avenue

Knoxville, TN 37932

1-800-732-2677

www.petsafe.net

400-1185

©2010 Radio Systems® Corporation

The device has been approved for use in EU countries and is therefore provided with the **CE mark**. All necessary documentation is available on the website: www.electric-collars.com
Changes to technical parameters, properties and printing errors reserved.

Service center and distribution

Reedog, sro

Sedmidomky 459/8 101

00 Prague 10

Phone: +1 646 980 4569

Email: info@electric-collars.eu