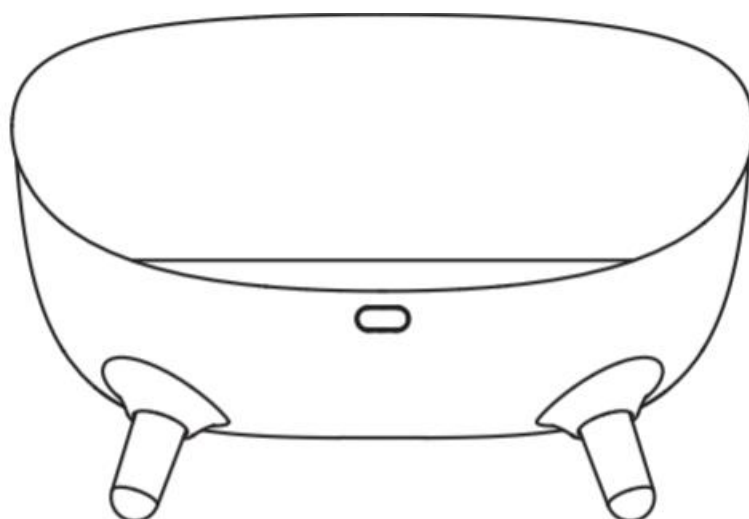




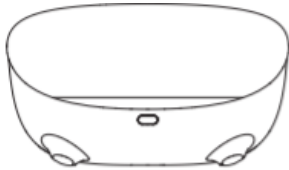
PETONEER



Cozy Sofa

User Manual • Užívateľský manuál •
Užívateľský manuál • Használati utasítás •
Benutzerhandbuch

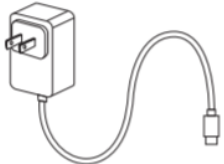
Inside the box



Cozy Sofa x 1



Wooden Leg x 4

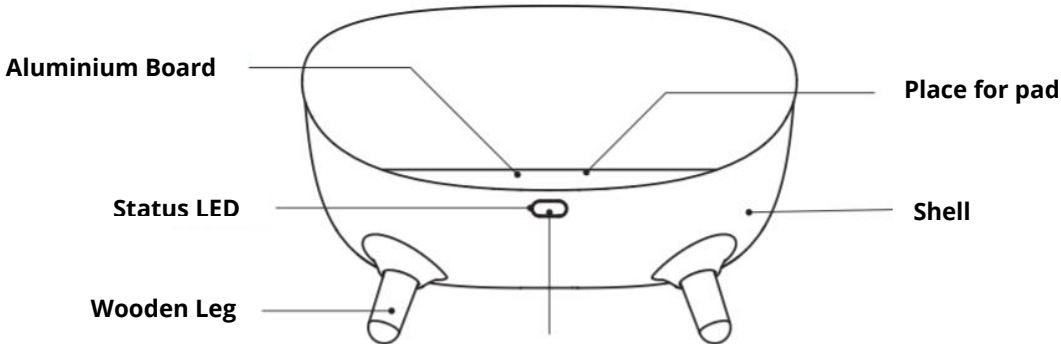


5 V 3 A USB Type-C/2.0 M cable Power Adapter

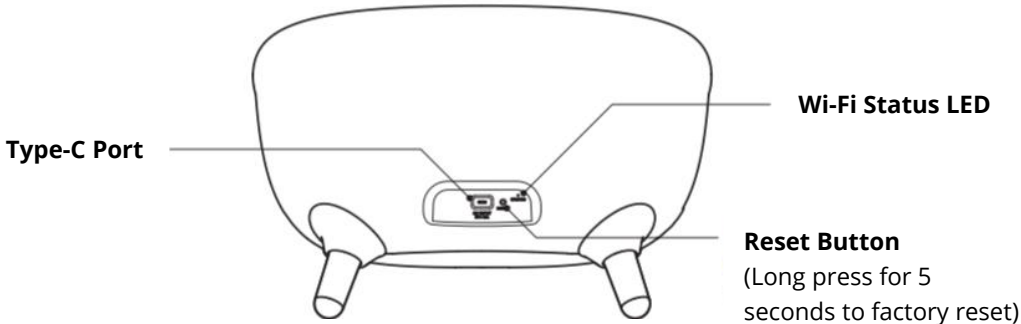


Manual

Meet your Cozy Sofa



(Long press for 2 seconds to turn on/off)



(Long press for 5 seconds to factory reset)

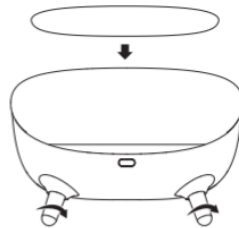
Specification

Power Input:	DC 5 V $\overline{=}$ 3 A	Size:	434 x 431 x 296 mm (17 x 16.9 x 11.6 in)
Communication:	Wi-Fi (2.4 G)	Net weight:	About 3.1 kg
Suitable Pets:	Cats and small size dogs	Material:	PP

Operations

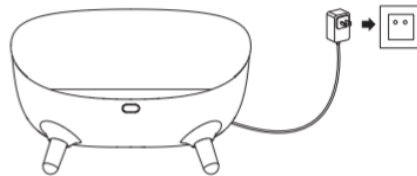
1) Assembly

Take out the sofa bed, tighten the wooden legs clockwise one by one, and then put the your favorite pad on the aluminium plate.



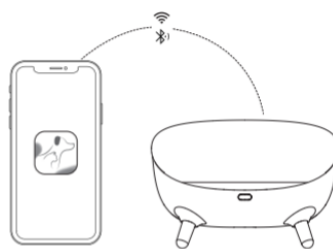
2) Power

Plug the power cord into the input port at the back, and then turn on the power. The status LED flashes red, blue and green alternately to enter the automatic working mode.



3) App set-up

Join the sofa to your local Wi-Fi to monitor and control. Download the Petoneer app, and add the sofa to the app as prompted!



Quick setup

1. **Scan the QR code** on the right and download the Petoneer App, which is available on App Store and Google Play. Click Sign up to get walked through to create your Petoneer account.



2. **Power on** and ensure the Wi-Fi Indicator LED is flashing slowly, reflecting the device is ready for joining the Wi-Fi. Open the Petoneer App and click the '+' button and get walked through the SET-UP steps.

Wi-Fi LED / Buttons explained

On/Off buttons	Long press for 2 seconds	Turn On/Off
Reset button	Long press for 5 seconds	Factory reset
Wi-Fi LED	Fast blinking blue	Ready to set up
	Solid blue	Connected
	Off	Disconnected
Status LED	Pulsing blue	Manual cooling
	Pulsing red	Manual heating
	Pulsing green	Auto mode working
	Steady green	Done
	Flash alternately in RED/BLUE	Error
	Flash alternately in RED/BLUE/GREEN	Power-On self-test

Precautions

1. **Make** sure to use this unit on level ground.
2. **Never use** this sofa for less than three months' young pets.
3. **For first-time use**, you can place some catnip or snacks on the sofa bed to help the cat relax and familiarize with new products.
4. **Do not** use this unit as the only heating source for baby pets.
5. **For daily** use of the sofa, please clean it regularly with a dry cloth.
6. **Never soak** this product in water.
7. **Do not place** it in direct sunlight or places at high temperature for a long time to prevent deformation and fading.
8. **Make sure** to keep the ventilation opening unobstructed during use.
9. **Children must** use it under the supervision and guidance of adults.
10. **Please hide** or organize the power cord to prevent pets from biting.

11. Condensation may occur during heating or cooling due to the temperature drop. It is a normal phenomenon, and please wipe condensed drops in time.

12. The cooling temperature can be up to 9 degrees, whereas the heating temperature can be up to 12 degrees. The heating and cooling are always related to the indoor ambient temperature.

13. It is recommended for cats within 15 kg.

Warranty Conditions

A new product purchased in the Alza.cz sales network is guaranteed for 2 years. If you need repair or other services during the warranty period, contact the product seller directly, you must provide the original proof of purchase with the date of purchase.

The following are considered to be a conflict with the warranty conditions, for which the claimed claim may not be recognized:

- Using the product for any purpose other than that for which the product is intended or failing to follow the instructions for maintenance, operation and service of the product.
- Damage to the product by a natural disaster, the intervention of an unauthorized person or mechanically through the fault of the buyer (e.g. during transport, cleaning by inappropriate means, etc.).
- Natural wear and aging of consumables or components during use (such as batteries, etc.).
- Exposure to adverse external influences, such as sunlight and other radiation or electromagnetic fields, fluid intrusion, object intrusion, mains overvoltage, electrostatic discharge voltage (including lightning), faulty supply or input voltage and inappropriate polarity of this voltage, chemical processes such as used power supplies, etc.
- If anyone has made modifications, modifications, alterations to the design or adaptation to change or extend the functions of the product compared to the purchased design or use of non-original components.

The device has been approved for use in EU countries and is therefore provided with the **CE mark**. All necessary documentation is available on the website: www.electric-collars.com
Changes to technical parameters, properties and printing errors reserved.

Service center and distribution

Reedog, sro

Sedmidomky 459/8 101

00 Prague 10

Phone: +1 646 980 4569

Email: info@electric-collars.eu