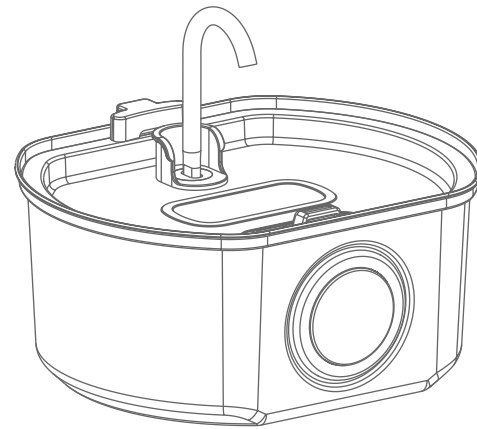


# reedog

## Petwant PWS-154B User manual

Stay hydrated, stay healthy



### Pet Fountain

#### Before We Start: Care Instructions

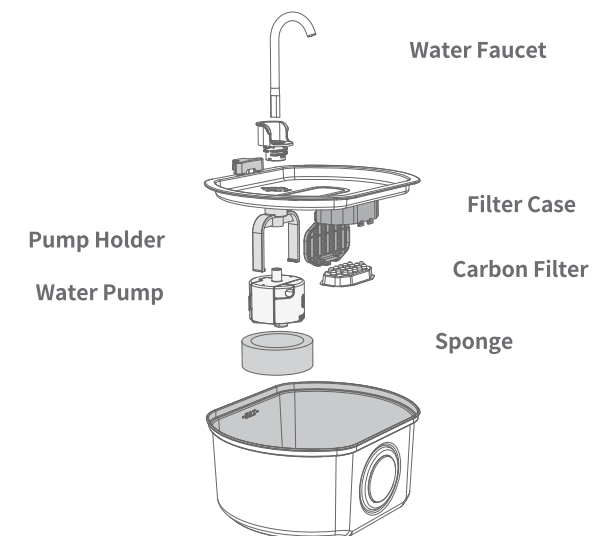
In order to provide our pet with fresh and clean water continuously, please read and remember these three simple tasks:

**Refill Often** Please keep the water level between MIN and Max all the time. The pump will fail if it runs dry.

**Clean Regularly** Clean the pump, water tank, drinking basin and the filter case every 1-2 weeks. Be careful to remove the filter and sponge before cleaning.

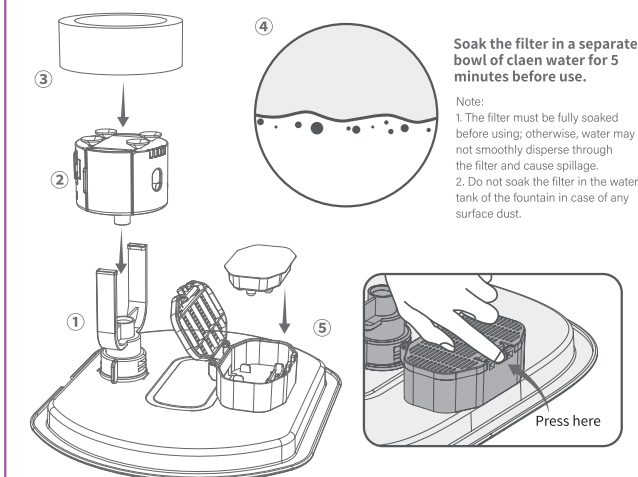
**Replace Filter & Sponge** Replace the filter every 1-2 weeks when you clean your fountain. Replace the sponge every 3-4 weeks depending on the frequency of use.

### Product Overview

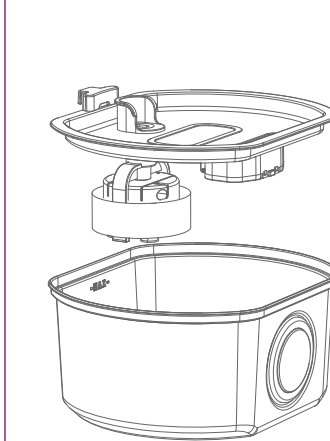


### Let's Get Started

- ① Install pump holder first
- ② Place the pump into holder
- ③ Place the sponge around the pump
- ④ Soak the filter for 5 minutes
- ⑤ Put the soaked activated carbon filter in the filter case and close it

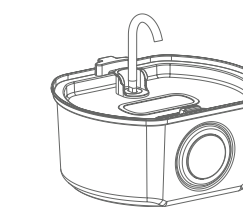


- ② Place the installed top cover back to the water tank.

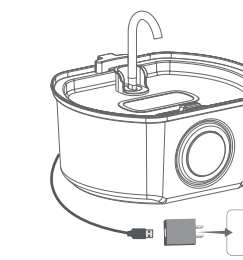


Carefully put the cover back to from a seal. Make sure the pump is properly secured in the tank.

- ③ Insert the water faucet.

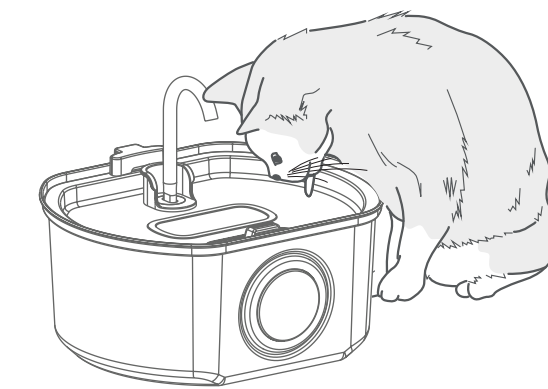


Adjust the height according to your needs.



Filled with water, and then connect with power.

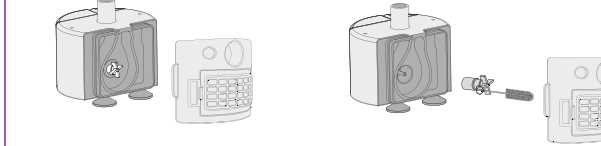
### Keep health & happiness flowing!



Place the fountain where your pet will use it. Fill the tank with water between MIN and MAX. Make sure your hands, the cord and the power adaptor are dry, and then connect the fountain with power.

### Clean the pump and fountain every two weeks.

- ① Remove the water pump cover.
- ② Remove the impeller by the brush hook.



- ③ Use the brush to clean the parts with water.
- ④ Keep the water level above the pump, as the pump will fail if it runs without water.



Tip: The brush can also be used to clean the spout.

The device has been approved for use in EU countries and is therefore provided with the **CE mark**. All necessary documentation is available on the website: [www.electric-collars.com](http://www.electric-collars.com)  
Changes to technical parameters, properties, and printing errors are reserved.

**Service center and distribution**

Reedog s.r.o.

Sedmidomky 459/8

Praha 10 - Michle, 101 00

Phone: +1 646 980 4569

Email: [info@reedog.eu](mailto:info@reedog.eu)

