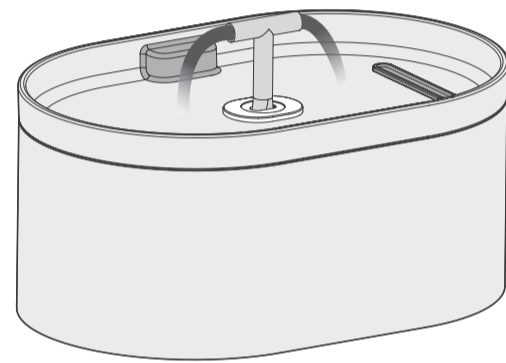


reedog

Petwant PY-003 User manual



Pet Fountain

Before we start: Care Instructions

In order to provide your pet with fresh and clean water continuously, please remember these three simple tasks:

Refill often.

Keep the water level. The pump is designed to work in water at least one inch deep. If the pump dries, it may malfunction.

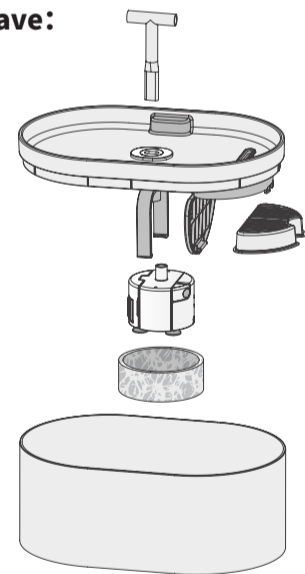
Clean your pump and your fountain.

Take your pump and fountain apart to clean with soap and water every two to four weeks. Be careful not to get soap in the filters, as it will not rinse out.

Replace your filters.

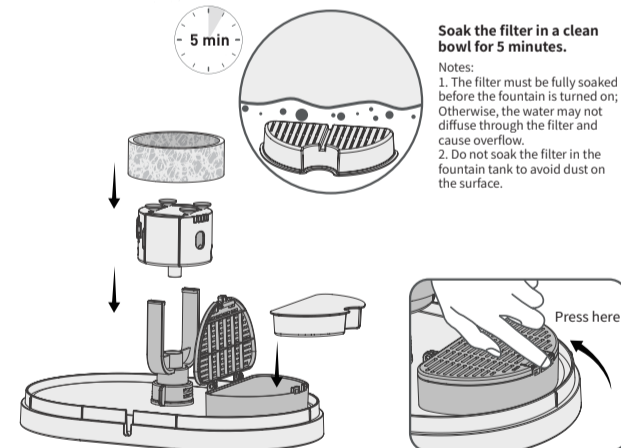
Replace the carbon filter every four weeks when you clean your fountain.
Replace the foam filter every two months.

What you have:



Setup Instructions

1. Install the pump holder first, then put the pump into the sponge. Put the activated carbon filter in the filter housing and close it.



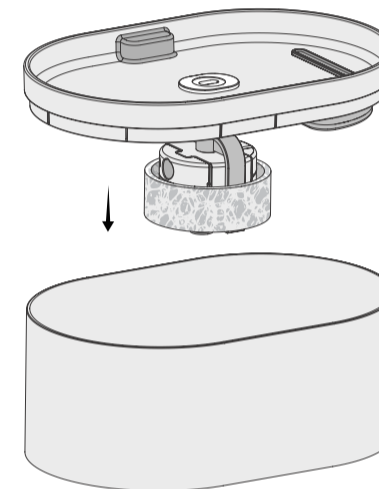
5 min

Soak the filter in a clean bowl for 5 minutes.

Notes:
1. The filter must be fully soaked before the fountain is turned on; otherwise, the water may not diffuse through the filter and cause overflow.
2. Do not soak the filter in the fountain tank to avoid dust on the surface.

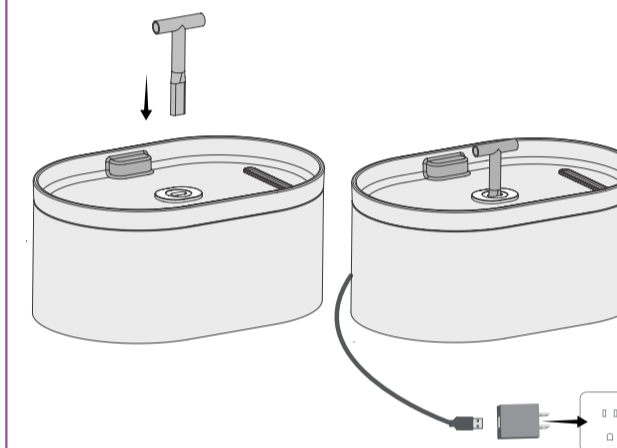
Press here

2. Open the cover and put back the cover.



Put back the cover to form a seal.
Note: Make sure the pump is fixed in place in the tank.

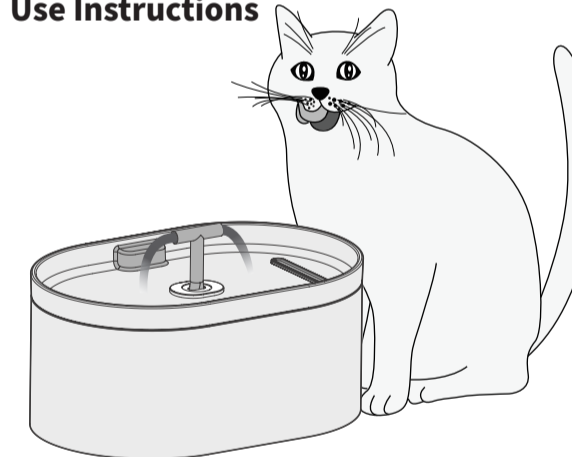
3. Insert the water faucet.



Insert the water faucet.

Connect the power adaptor.

Use Instructions

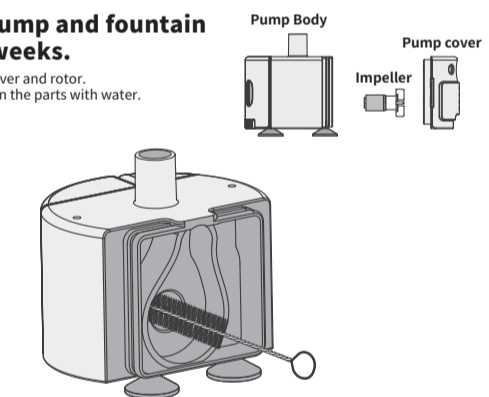


Place the fountain where your pet will use it. Fill the bowl with water, leaving a half inch of space between the water and the rim. Make sure your hands, the cord and the power adaptor are dry, then plug the fountain into an outlet.

Keep health and happiness flowing!

Clean the pump and fountain every two weeks.

Take off the pump cover and rotor. Use the brush to clean the parts with water.



Cautions

1. Be sure to shut down and disconnect the power supply for safety when the equipment is not in use.
2. This product is for indoor use only.
3. The power adaptor and wire plug must not be flooded during cleaning.
4. This product is not allowed to run without water.
5. Please disconnect the power supply before maintaining and cleaning the machine.

The device has been approved for use in EU countries and is therefore provided with the **CE mark**. All necessary documentation is available on the website: www.electric-collars.com
Changes to technical parameters, properties, and printing errors are reserved.

Service center and distribution

Reedog s.r.o.

Sedmidomky 459/8

Praha 10 - Michle, 101 00

Phone: +1 646 980 4569

Email: info@reedog.eu

