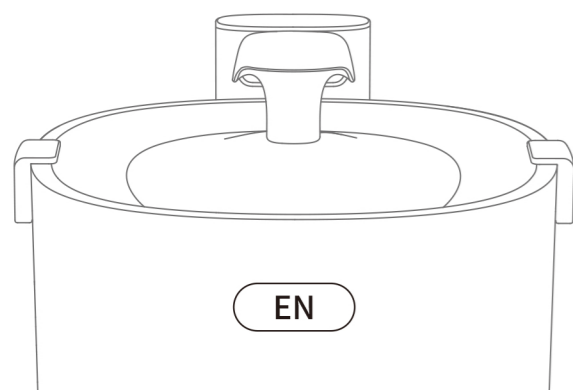


USER MANUAL

Cheerble Pet Fountain E1+



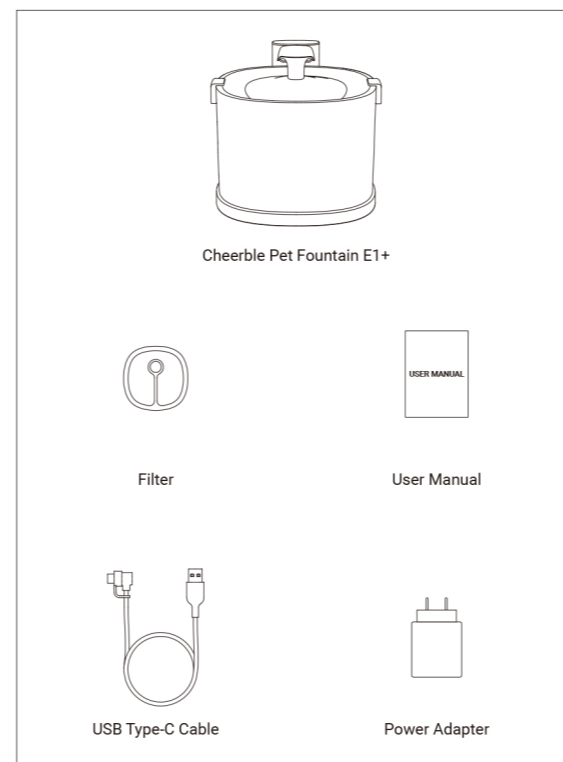
BEFORE USE

Thank you for purchasing and using the Cheerble Pet Fountain E1+. For your safety and benefit, please carefully read this manual and accompanying materials before installing and using this product. If any personal injury, property damage, or other losses occur due to improper operation, the company shall not be held responsible.

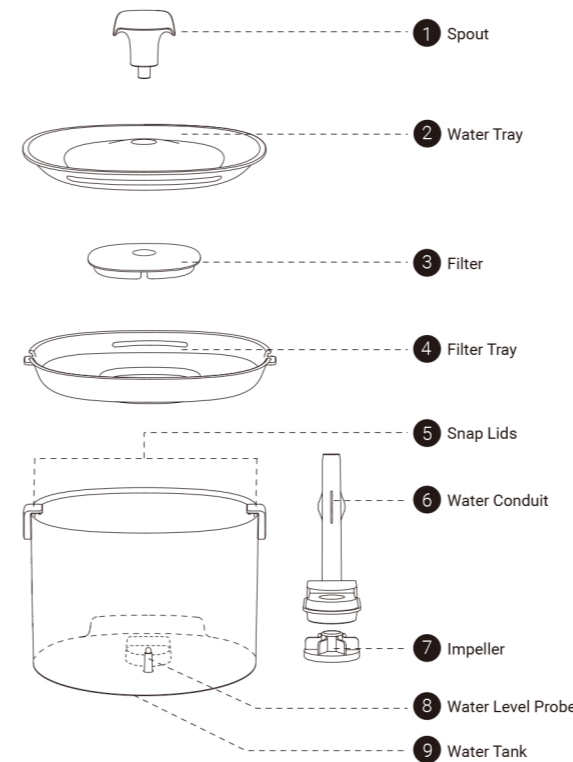
CAUTIONS

1. Please keep spare parts properly to avoid being chewed or swallowed by pets.
2. Adult supervision is necessary when children are using this device.
3. Please regularly check if the device is intact. If there is any wear or damage, stop using it immediately to avoid injury.
4. Place the device horizontally during use and do not tilt or overturn it.
5. Do not immerse the water tank base in water to avoid the power connector touching the water.
6. Do not use the device in damp and hot environments to prevent safety hazards.
7. It is necessary to use a power adapter that complies with relevant national and regional standards, otherwise it may damage the device.
8. Please do not use water exceeding 40°C (104°F) in the water tank. This is to prevent potential scalding of pets and to avoid any damage to the device.
9. This device is not dishwasher-safe.
10. When the device is not in use for a long time, please be sure to disconnect the power.
11. Please cover and store the power cord properly to prevent pets from biting the cord.

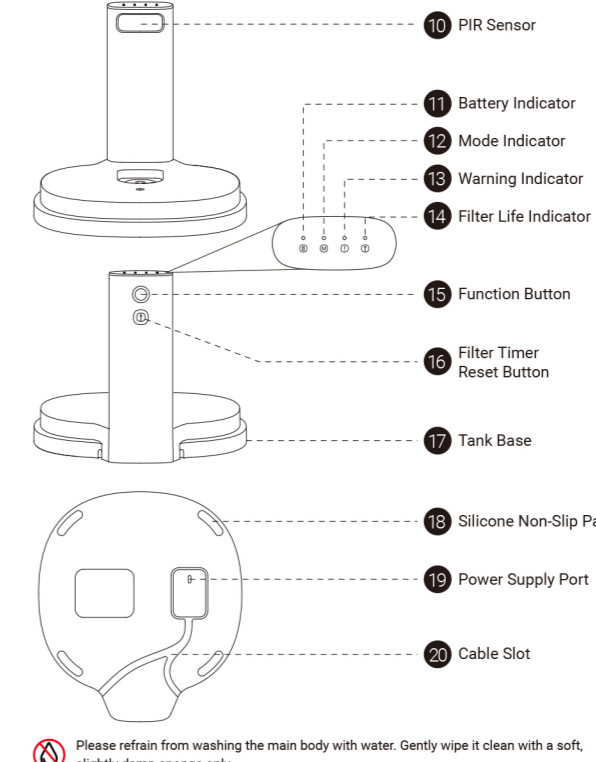
IN THE BOX



COMPONENTS

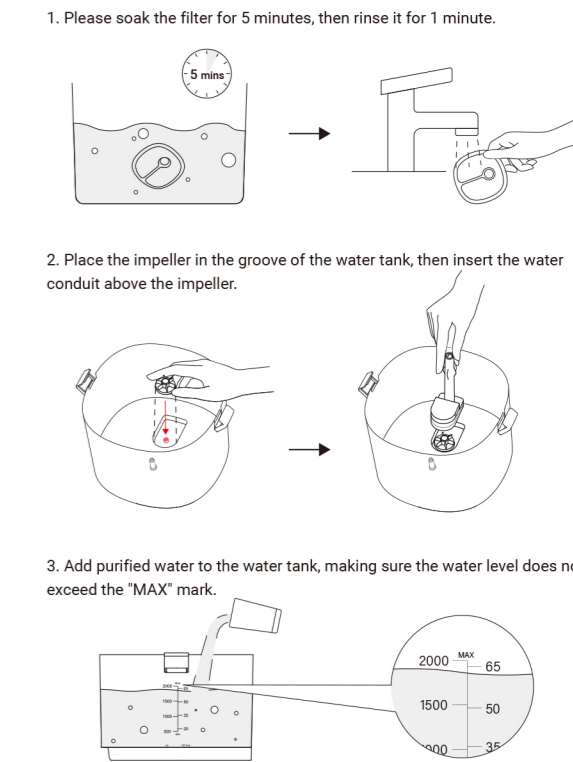


COMPONENTS



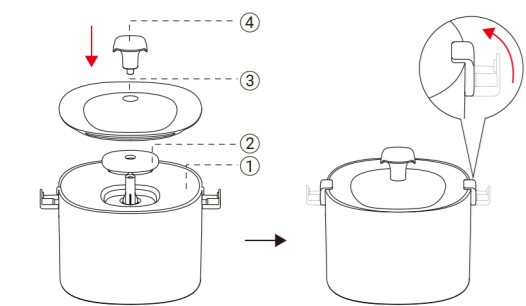
Please refrain from washing the main body with water. Gently wipe it clean with a soft, slightly damp sponge only.

HOW TO USE



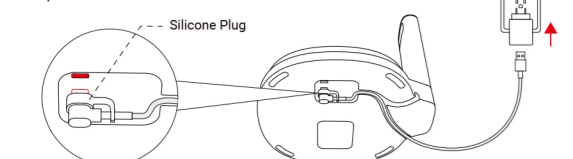
HOW TO USE

4. Put filter tray, filter, water tray, and spout in order, fasten the snap lids.



5. Two types of power supply:

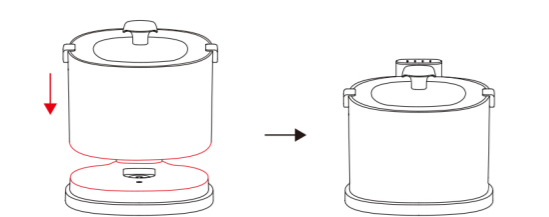
① Connect the Type-C end of the cable to the power port on the base. Put the cable into one of the cable slots, and plug the other end into the power adapter. The power is on.



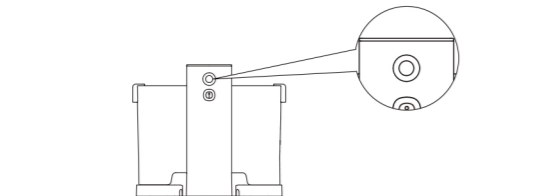
② When not connected to the power source, this device is powered by the built-in battery.

HOW TO USE

6. Properly install the water tank on the base and place it on a level surface.



7. Press and hold the function button for 3 seconds to turn on the device, press it briefly to switch modes.



- Tip**
1. After the indicator light automatically turns off, short press the function button to check the current status of the indicator light.
 2. After powering on, press and hold the function button for 3 seconds to power off.

INDICATOR

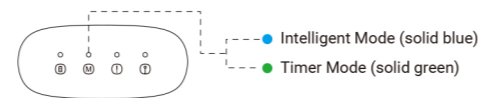
BATTERY INDICATOR



Note: Please use the official Cheerble power adapter to avoid damaging the device.

Tip Before connecting the power supply, please clean any foreign matter from the power supply port and keep it dry.

MODE INDICATOR



Intelligent Mode

- When the device detects that the pet has not passed by for a certain period of time, it increases the water dispensing frequency to actively attract the pet to drink.
- When the device detects a pet passing by, it immediately dispenses water for 20 seconds to satisfy the pet's drinking needs.

Timer Mode

The device dispenses water for 20 seconds every 15 minutes.

INDICATOR

WARNING INDICATOR



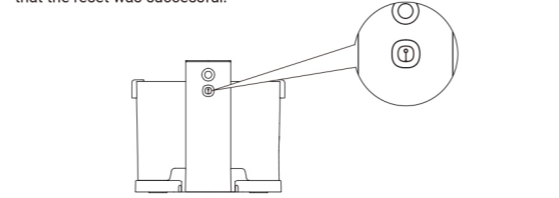
Please follow the above steps to install this product correctly and ensure that the water level in the water tank is higher than the "MIN" mark, otherwise the device may not start up normally.

FILTER LIFE INDICATOR

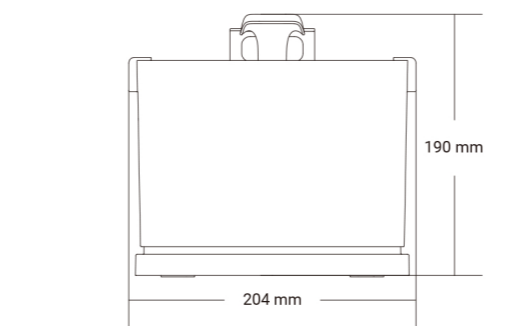


In order to keep providing clean water for pets to drink, it is recommended that pet owners replace the filter regularly, ideally every 3 to 4 weeks.

When the device is turned on, press and hold the filter timer reset button for 5 seconds to manually reset the filter timer. The timer will then begin to recalculate the usage time of the filter, and a blinking orange light will indicate that the reset was successful.



SPECIFICATION



| | |
|------------------------|---------------------------------------|
| Model: | CDY02 |
| Main materials: | ABS, Stainless Steel, PCTG |
| Weight: | 1 kg / 2.2 lb |
| Dimensions: | 222 × 204 × 190 mm / 8.7 × 8 × 7.5 in |
| Capacity: | 2 L / 67 fl oz |
| Battery: | 5000 mAh |
| Input: | 5V=1A |
| Operating temperature: | 5°C-40°C / 41°F-104°F |

LIABILITY TERMS

Warranty
One-Year Limited Warranty
Cheerble warrants the included hardware product and accessories against defects in materials and workmanship for one year from the date of original retail purchase. Cheerble does not warrant against normal wear and tear, nor damage caused by accident or abuse. Complete details of the warranty applicable to this product and its terms can be found at www.cheerble.com.

Terms of Use and Limitation of Liability
1. Terms of Use
The use of this product is subject to your acceptance without modification of terms, conditions and notices contained with this product. Use of this product implies acceptance of all such terms, conditions, and notices. If you do not wish to accept these terms, conditions, and notices, please return the product, unused, in its original packaging and at your own cost and risk with proof of purchase for refund.

2. Proper Use
Proper use includes, without limitation, reviewing the entire user manual and any specific safety information statements. The specific temperament or size/weight of your pet may not be suitable for this product. If you are unsure whether this product is appropriate for your pet, please consult your veterinarian to use.

3. No Unlawful or Prohibited Use
This product is not intended to harm, injure or provoke. Using this product in a way that is not intended could result in violation of local laws.

4. Limitation of Liability
In no event shall Shenzhen Cheerble Technology Co., Ltd. or any of its associated companies be liable for (i) any direct, indirect, punitive, incidental, special or consequential damage and/or (ii) any loss or damages whatsoever arising out of or connected with the use or misuse of this product.

5. Modification of Terms and Conditions
Shenzhen Cheerble Technology Co., Ltd. reserves the right to change the terms, conditions and notices governing this product from time to time. If such changes have been notified to you prior to your use of this product, they shall be binding on you as if incorporated herein.

FCC COMPLIANCE

This device complies with part 15 of the FCC Rules. Operation is subject to the following two conditions: (1) this device may not cause harmful interference, and (2) this device must accept any interference received, including interference that may cause undesired operation.

Note: This equipment has been tested and found to comply with the limits for a Class B digital device, pursuant to part 15 of the FCC Rules. These limits are designed to provide reasonable protection against harmful interference in a residential installation. This equipment generates, uses, and can radiate radio frequency energy and, if not installed and used in accordance with the instructions, may cause harmful interference to radio communications. However, there is no guarantee that interference will not occur in a particular installation. If this equipment does cause harmful interference to radio or television reception, which can be determined by turning the equipment off and on, the user is encouraged to try to correct the interference by one or more of the following measures:

- Reorient or relocate the receiving antenna.
- Increase the separation between the equipment and receiver.
- Connect the equipment to an outlet on a circuit different from that to which the receiver is connected.
- Consult the dealer, or an experienced radio/TV technician for help.

Changes or modifications to this equipment not expressly approved by Shenzhen Cheerble Technology Co., Ltd. could void the user's authority to operate the equipment.