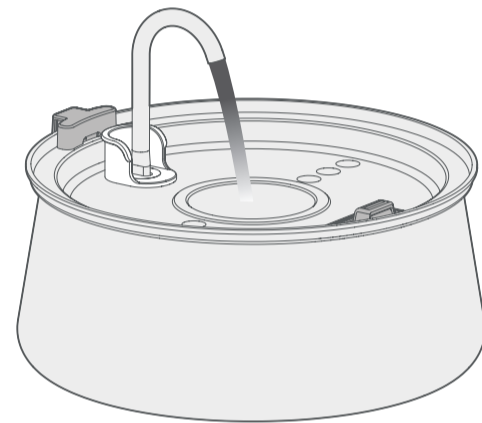


reedog

Petwant PWS-142B User manual



4.0L/134Oz STAINLESS STEEL PET FOUNTAIN

Before we start: Care Instructions

In order to provide your pet with fresh and clean water continuously, please remember these three simple tasks:

Refill Timely.

The water level must be higher than the MIN water line. Otherwise, the water pump may dry burn and cause malfunction.

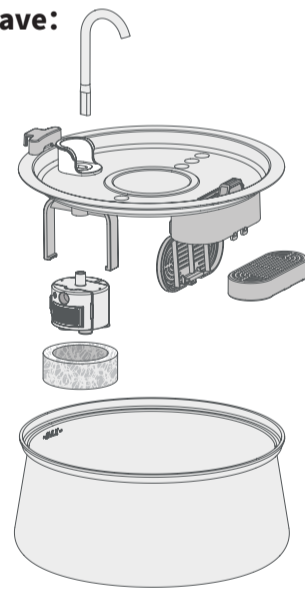
Clean Fountain and Pump Regularly.

Taking your pump and fountain apart, clean with soap and water every 2-4 weeks. Do not wash the filter with soap, because it can not be rinsed out.

Replace Filter Regularly.

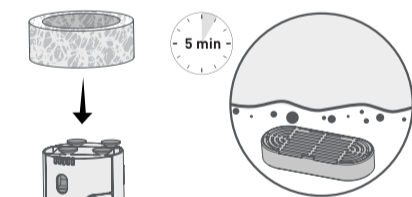
Replace the carbon filter every 2-4 weeks; Replace the sponge filter every 4 weeks.

What you have:



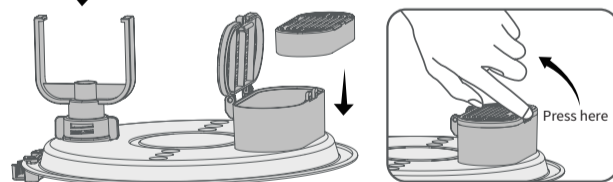
Setup Instructions

- 1 Install pump into the pump holder; Then put the sponge on the holder; Put carbon filter into the filter housing and close it.

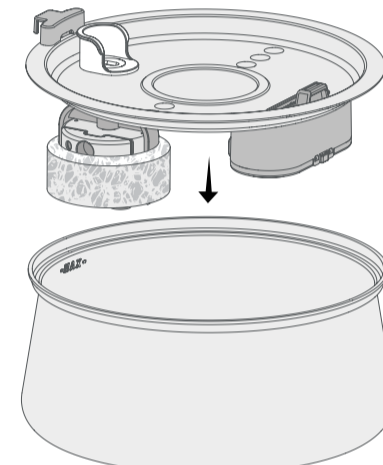


Soak filter in clean water for 5 minutes firstly.

Notes:
1. The filter must be fully soaked before use; Otherwise, the water may not diffuse through the filter and cause overflow.
2. Do not soak filter in the fountain tank, to avoid dust shedding into water.

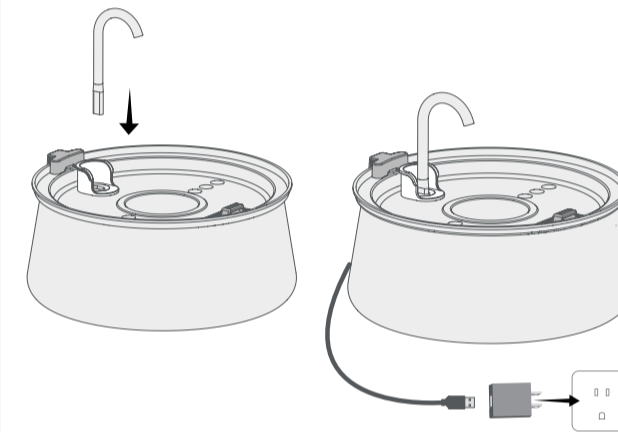


- 2 Install the cover.



Put the cover back and rotate to fix.
Note: Make sure the pump is fixed in the right place.

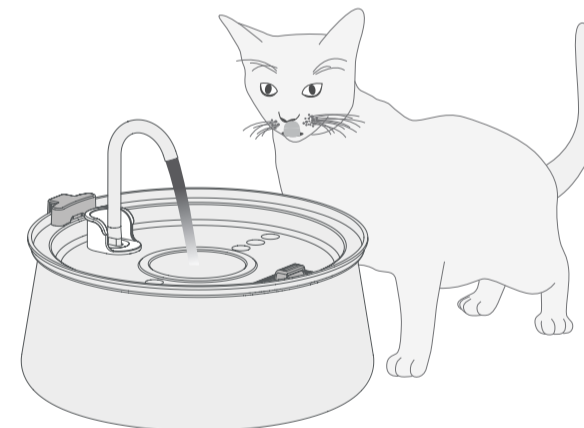
- 3 Insert the water faucet.



Insert the water faucet.

Connect the power adaptor.

Use Instructions

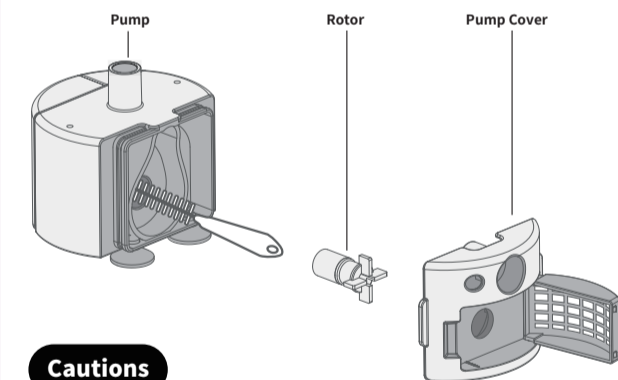


Place the fountain where your pet will use it. Fill the bowl with enough water, but lower than MAX level line.
Make sure your hands, the cord and the power adaptor are dry, then plug the fountain into an outlet.

Keep healthy and happy flowing!

Clean the pump and fountain every two weeks.

Take off the pump cover and rotor. Use the brush to clean the parts with water.



Cautions

1. Be sure to shut down and disconnect power supply for safety when the fountain is not in use.
2. This product is for indoor use only.
3. The power adaptor and wire plug must remain dry during cleaning.
4. This fountain is not allowed to run without water (Some models with automatic shutdown pump can be ignored)
5. Please disconnect power supply before maintain and clean the fountain.

The device has been approved for use in EU countries and is therefore provided with the **CE mark**. All necessary documentation is available on the website: www.electric-collars.com
Changes to technical parameters, properties, and printing errors are reserved.

Service center and distribution

Reedog s.r.o.

Sedmidomky 459/8

Praha 10 - Michle, 101 00

Phone: +1 646 980 4569

Email: info@reedog.eu

