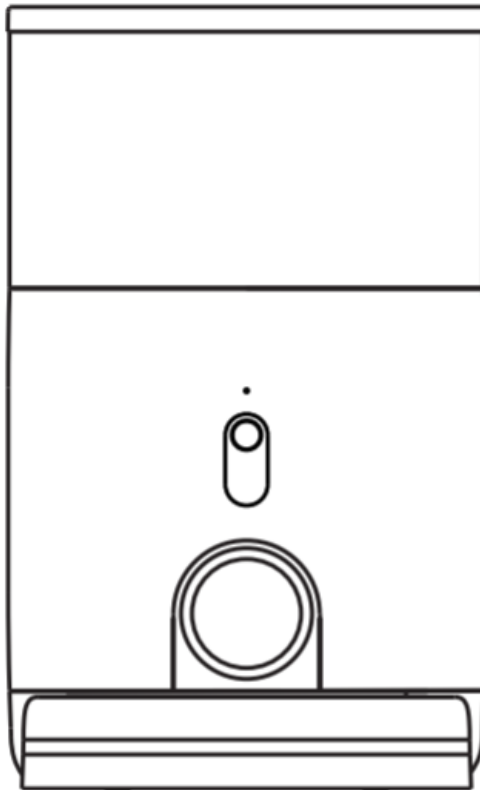




PETONEER

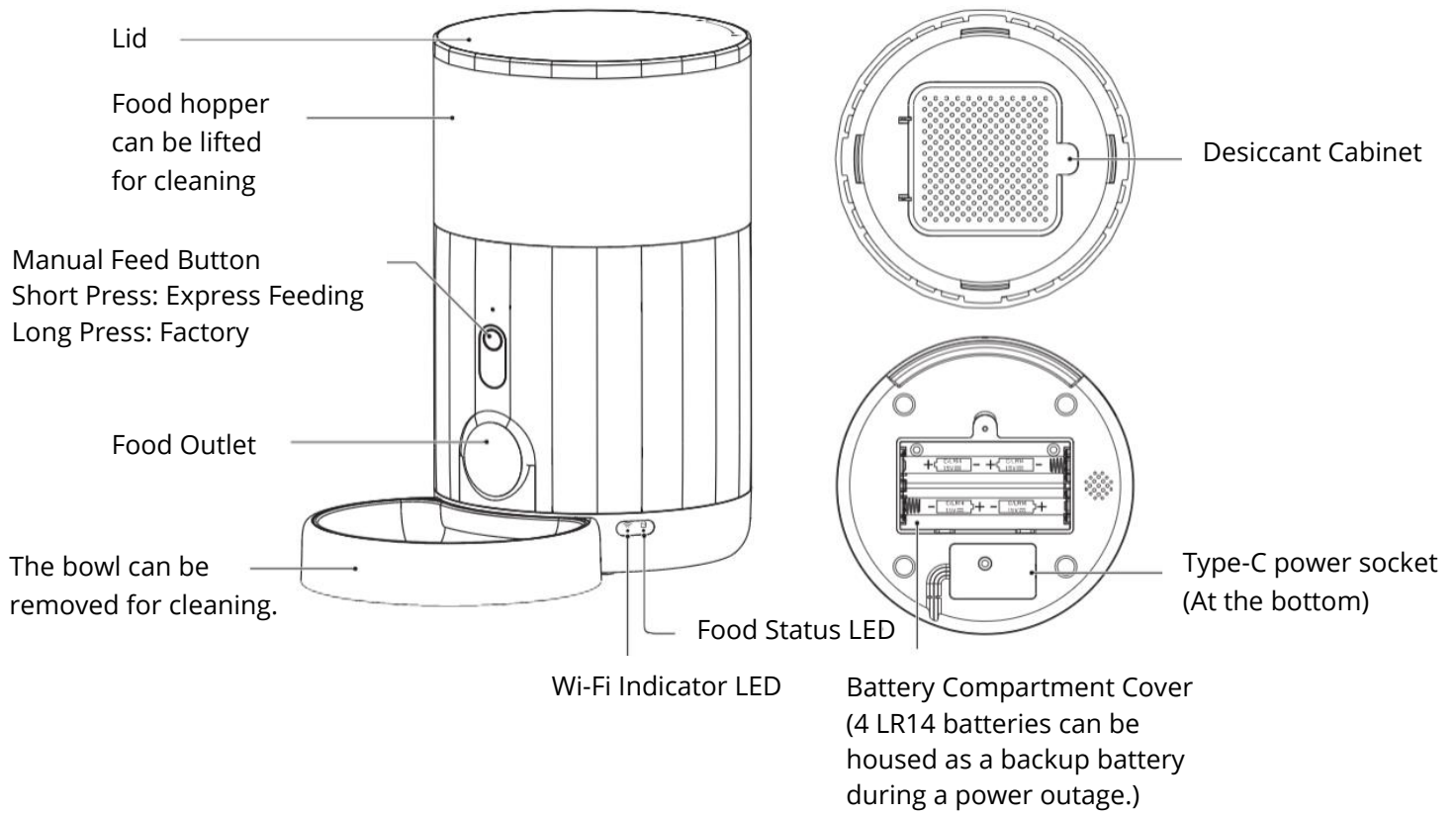


Nutri Mini Feeder

Model: PF005

User Manual • Uživatelský manuál •
Uživatelský manuál • Használati utasítás •
Benutzerhandbuch

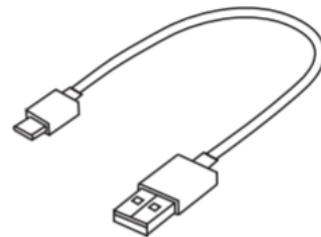
Meet your smart feeder



Inside the box



Bowl



USB Type-C to USB-A 2.0 Cable (1.2M)

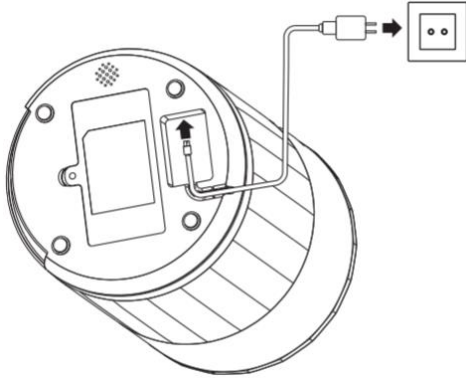


Desiccant

Operations

1. Power on the feeder

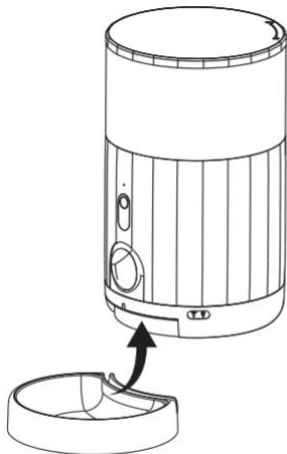
Unbox and connect the USB Type-C Cable to the power socket at the bottom of the feeder, then connect power supply to the wall outlet.



* The power supply is not included; please buy separately!

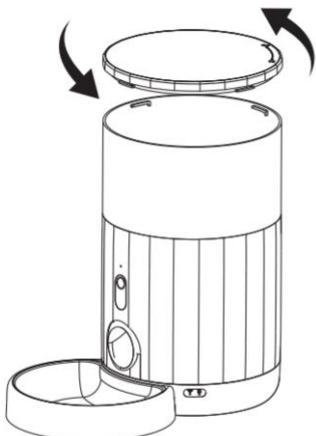
2. Bowl mounting

Slide the bowl into the feeder's outlet.



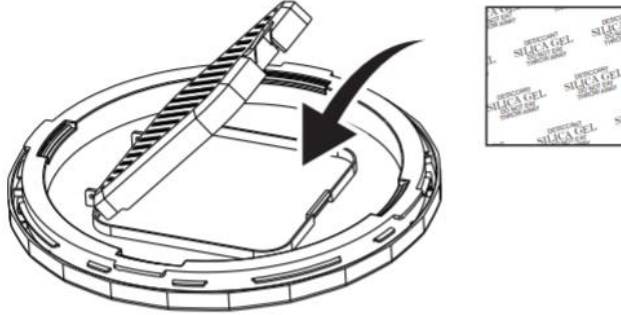
3. Lid removing

Open the lid according to the marked direction.



4. Fill the desiccant

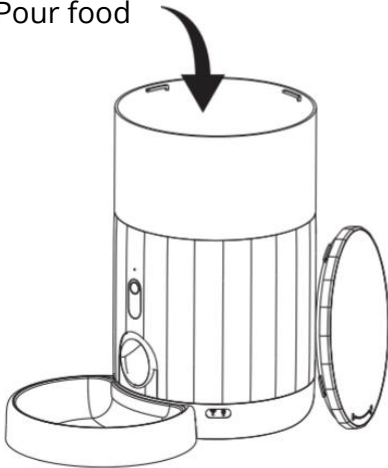
Remove the desiccant from the packaging and place it in the desiccant cabinet.



* It is recommended to replace the desiccant once a month, and do not fall into the hopper, and NEVER use it if it's damaged.

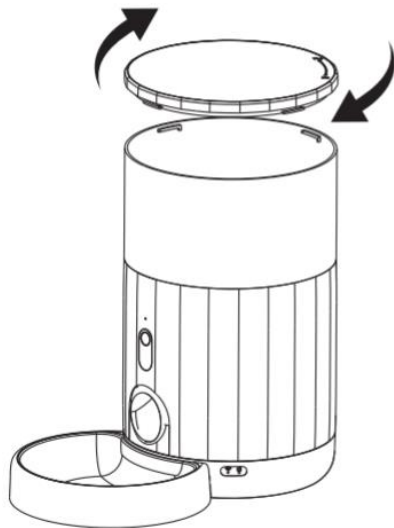
5. Fill the hopper with food

Pour food



6. Lid closing

Lock the lid according to the marked direction.



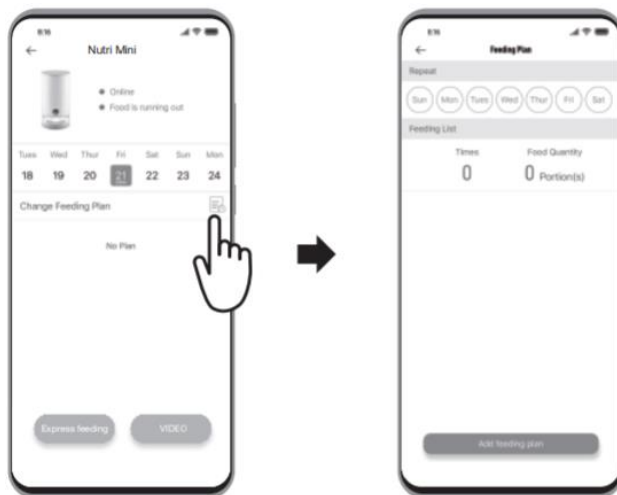
7. Manual Feeding

Short press the manual feeding button to feed instantly.
(Default quantity is one portion customizable through App.)



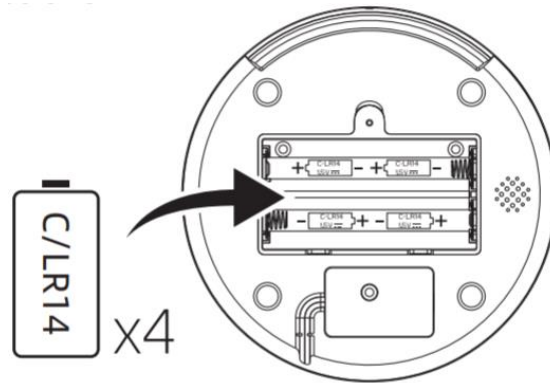
8. Connect feeder with your phone and schedule your feeding

Click Video to watch real-time and tap the FEED icon to feed expressly.



Backup Battery Installation

Use a screwdriver to open the battery compartment cover at the bottom. Put your LR14 batteries inside (note the positive and negative poles), replace the cover and tighten the screws.



Note: You need to buy the batteries separately and only alkaline dry batteries are supported. Before installing, make sure that there is nothing in the battery compartment. Install batteries for emergency backup in case of power failure. If the batteries are not used for a long time, please remove the battery.

Quick Setup

1. Scan the QR code on the right and download the Petoneer App which is available on App Store and Google Play. Click Sign up to get walked through to create your Petoneer account.
2. Power on and ensure the Wi-Fi Indicator LED is flashing slowly, reflecting the device is ready for joining the Wi-Fi. Open the Petoneer App and click the '+' button and get walked through the SET-UP steps.

Notice: The feeder doesn't support the 5GHz Wi-Fi, please make sure your Wi-Fi is 2.4G. If the Wi-Fi indicator is not blinking slowly after power-on, please long press and hold the manual feed button until the indicator blinks slowly.



LED Status

LED Status		Specification
Red light is off	The food is more than 10 %	Model: PF005
		Power Input: 5V ^{DC} 1A
		Capacity: 2.6 L (1.2 Kg)
Fast blinking red	The food is less than 10 %	Size: 7.52x7.52x12.40 inches, 191x191x315 mm
		Communication: Wi-Fi (2.4 Ghz)
Red steady on	Jam	Range: 98.5 feet (30 m)
		Net Weight: 1.55 Kg
		Warranty: 1 Year

Precautions

1. Please use it in the indoor environment.
2. Do not drop anything other than dry food into the food hopper. Otherwise, there is a risk of dysfunction or mistaken feeding.
3. To prevent feeder from being hit by pets, it is recommended to place the feeder at the corner or against the wall.
4. Please shield or organize the power cord well to prevent the pet from biting the cable and causing dangerous situations such as electric shock.
5. This product is only suitable for dry food and wet food is prohibited.
6. It is recommended to replace the desiccant once a month and do not fall into the hopper, and never use it if it's damaged.
7. The pet food's shape and density will cause some deviations from the food hopper's capacity and the feeding unit's quantity.
8. After each fill-up of the hopper, there may be deviation of two portions at the initial feeding time. It is recommended to calibrate manually!
9. Clean the food passage regularly to get the kibble out smoothly.
10. DO NOT clean the main unit, instead please wipe it with a rag. After cleaning the other parts, please dry it before reinstalling.
11. Children could use it only under the guidance of adults.

The device has been approved for use in EU countries and is therefore provided with the **CE mark**. All necessary documentation is available on the website: www.electric-collars.com
Changes to technical parameters, properties and printing errors reserved.

Service center and distribution

Reedog, sro

Sedmidomky 459/8 101

00 Prague 10

Phone: +1 646 980 4569

Email: info@electric-collars.eu