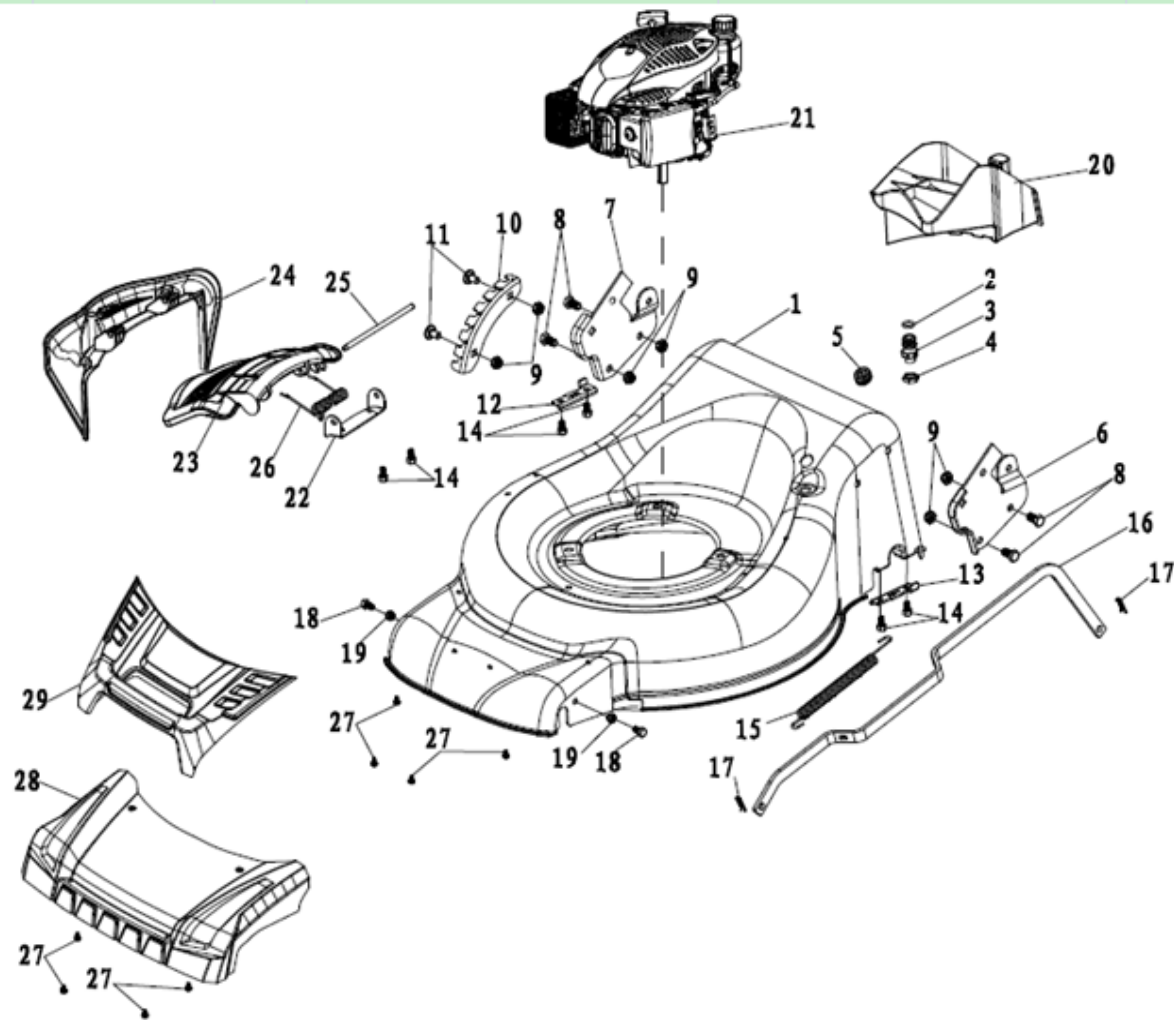


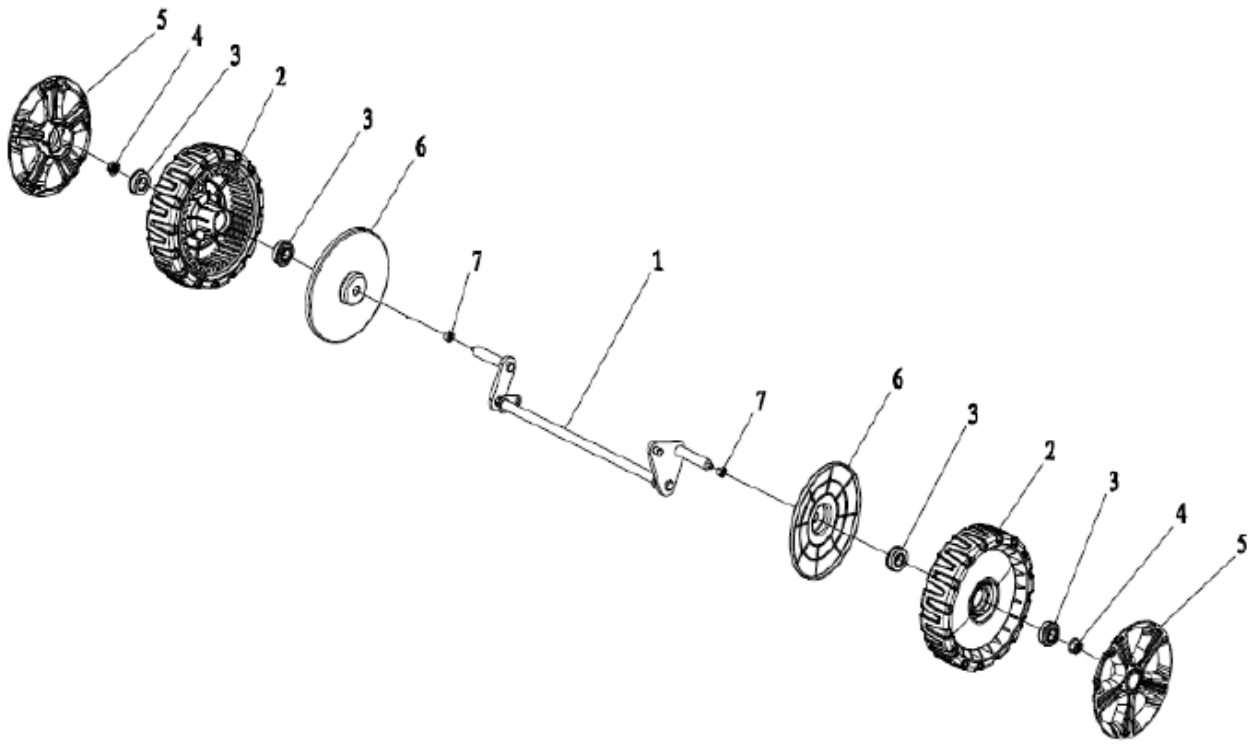
1	25190140000		1	
2	20570110000		1	
3	30030030000		1	
4	60060070000		1	
5	60190200000	flat washer	1	
6	60150060000	Self-locking nut	1	
7	60171090000	Phillips flat head self tapping	4	
8	60060580000		1	
9	20440110000		1	
10	60170190000	Phillips flat head self tapping	1	
11	20570120830		1	
12	30090210000		1	
13	20030030000	Plastic stopper	1	
14	60060590000	Hex flange bolts	1	
15				
16	70230190000	Hang buckle	1	
17	60130020000	Cap nut	1	
18	70780080000	selfpropelled cable	1	
19	70810040000	brake cable	1	
20				
21	70050120000	Brake Cable Assy plate	1	

22	70540084830	stop lever	1	
23	70550074130	Self-propelled Lever	1	
24	20340060130	foam pipe	1	
25	70500411031	upper handrail	1	
26	20580020830	quick fix knob	2	
27	60250080000	Pin	2	
28	70220020000	Quick Fix Handle	2	
29	70050180000	lock for fast fix handle	2	
30	60190140000	flat washer	2	
31	20040140830	triangle knob	2	
32	60140080000	Hexagon nut	4	
33	70520210031	lower handrail	1	
34	20240020000	fastener	1	
35	60060420000	Hexagon head bolts	2	
36	60040090000	Half round head square neck bol	2	
37	60150020000	Hex lock nut	2	
38	20040050830	triangle knob	2	
39	60190140000	flat washer	2	

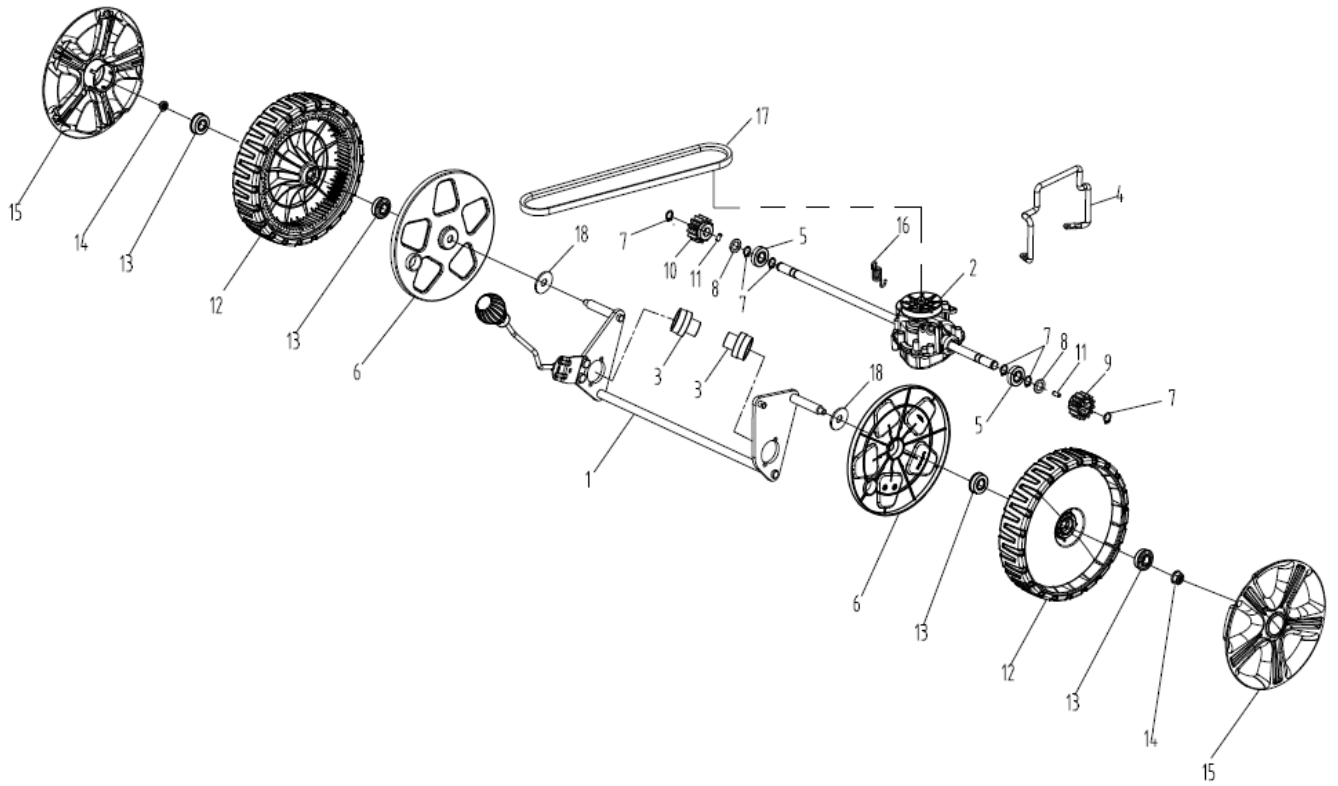


1	70740870130	deck welding assy.	1	
2	60370020000	"0" ring	1	
3	20460010000	inlet	1	
4	20460030000	Pipe connector nut	1	
5	20590020000	cable stopper	1	
6	70070290000	left handle bracket	1	
7	70070300000	left handle bracket	1	
8	60060930000	Hexagon head bolts	4	
9	60150020000	Hex lock nut	6	
10	70250110000	height adjustment board	1	
11	60040020000	nail round head square neck bolts	2	

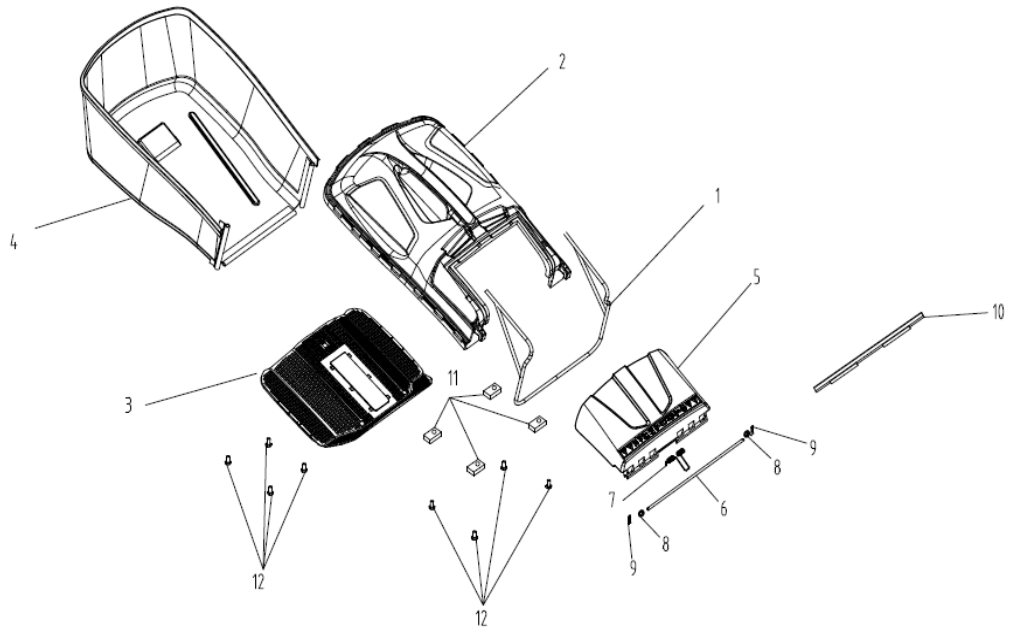
12	70290050000	rear drive right bracket	1	
13	70290370000	rear drive left bracket	1	
14	60170400000	Hex tapping screws	6	
15	60410080000	Pull Spring for Pull Rod	1	
16	70180270830	Height Adjustment Pull Rod	1	
17	60300030000	R type pin	2	
18	60060520000	Bolt	2	
19	60150080000	Self-locking nut	2	
20	20160120000	mulching plug	1	
21	T547270	petrol engine	1	
22	70060060130	Bracket plate for defelctor	1	
23	20120080000	mulching board	1	
24	20110100000	side discharge cover	1	
25	70030060000	Mulch Shaft	1	
26	60390070000	mulch board spring	1	
27	60170300000	Phillips flat head self tappin	8	
28	20200170000	front mask	1	
29	20200180000	front mask	1	



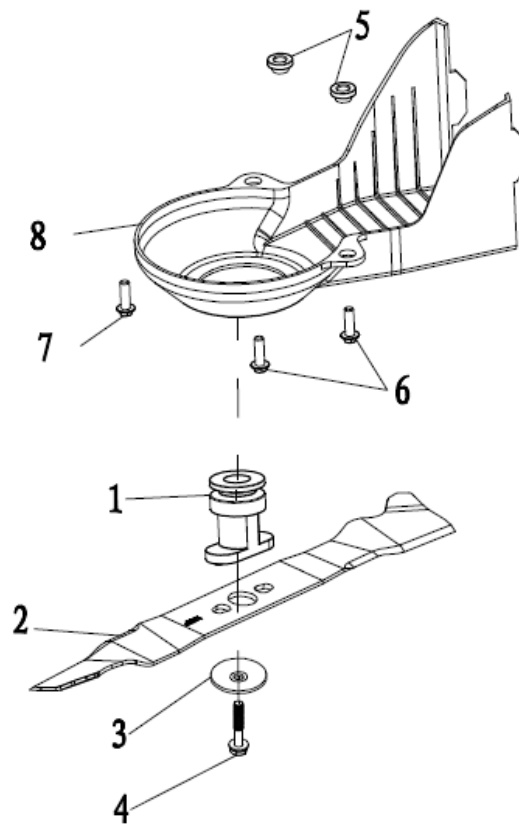
1	70840170000	front drive assy.	1	
2	20880300000	wheel assy	2	
3		wheel punch bearing	4	
4	60150090000	Self-locking nut	2	
5	20620200830	outer cover of hub	2	
6	20610120000	inner cover of hub	2	
7	20140170000	front bracket fastener	2	



1	70850541000	rear drive assy.	1	
	20270010000	height adjustment ball	1	
2	70860370000	petrol engine	1	
3	20430030440	rear wheel axle sleeve	2	
4	70050230000	Brake spring	1	
5	20430140000	rear wheel axle sleeve	2	
6	20610060000	inner cover of hub	2	
7	60240060000	spring washer	6	
8	21070030000	selfpropelled ratchet washer	2	
9	70300190000	Ratchet Wheel L	1	
10	70300200000	Ratchet Wheel R	1	
11	60290070000	bratchet pin	2	
12	20880330000	wheel assy.	2	
13		wheel punch bearing	4	
14	60150090000	Self-locking nut	2	
15	20620230830	outer cover of hub	2	
16	60410610000	selfpropelled spring	1	
17	60320210000	v belt	1	
18	60200090000	Gasket	2	

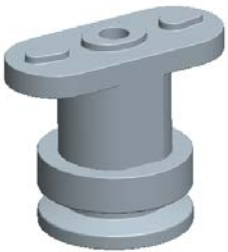







1	70010090000	fabric metal frame	1	
2	20080090000	top of grass box	1	
3	21010010830	filter net of grass bag	1	
4	20050080034	fabric grass bag	1	
5	20380090000	rear discharge cover	1	
6	70030050000	Shaft for rear discharge cover	1	
7	60380240000	cover spring	1	
8	60220010000	lock washer	2	
9	60300030000	R type pin	2	
10	20750070000	rear discharge cover dust proof board	1	
11	70040100000	blade washer	4	
12	60170290000	Phillips flat head self tapping	8	



1	70140400000	Blade Adapter Assy	1	
2	70130350000	Double-edge blade	1	
3	70040070000	blade washer	1	
4	60100030000	Inch hex flange bolts	1	
5	70150240000	Chassis bushing	2	
6	60060180000	Hex flange bolts	2	
7	60060390000	Hex flange bolts	1	
8	20660130000	belt cover	1	

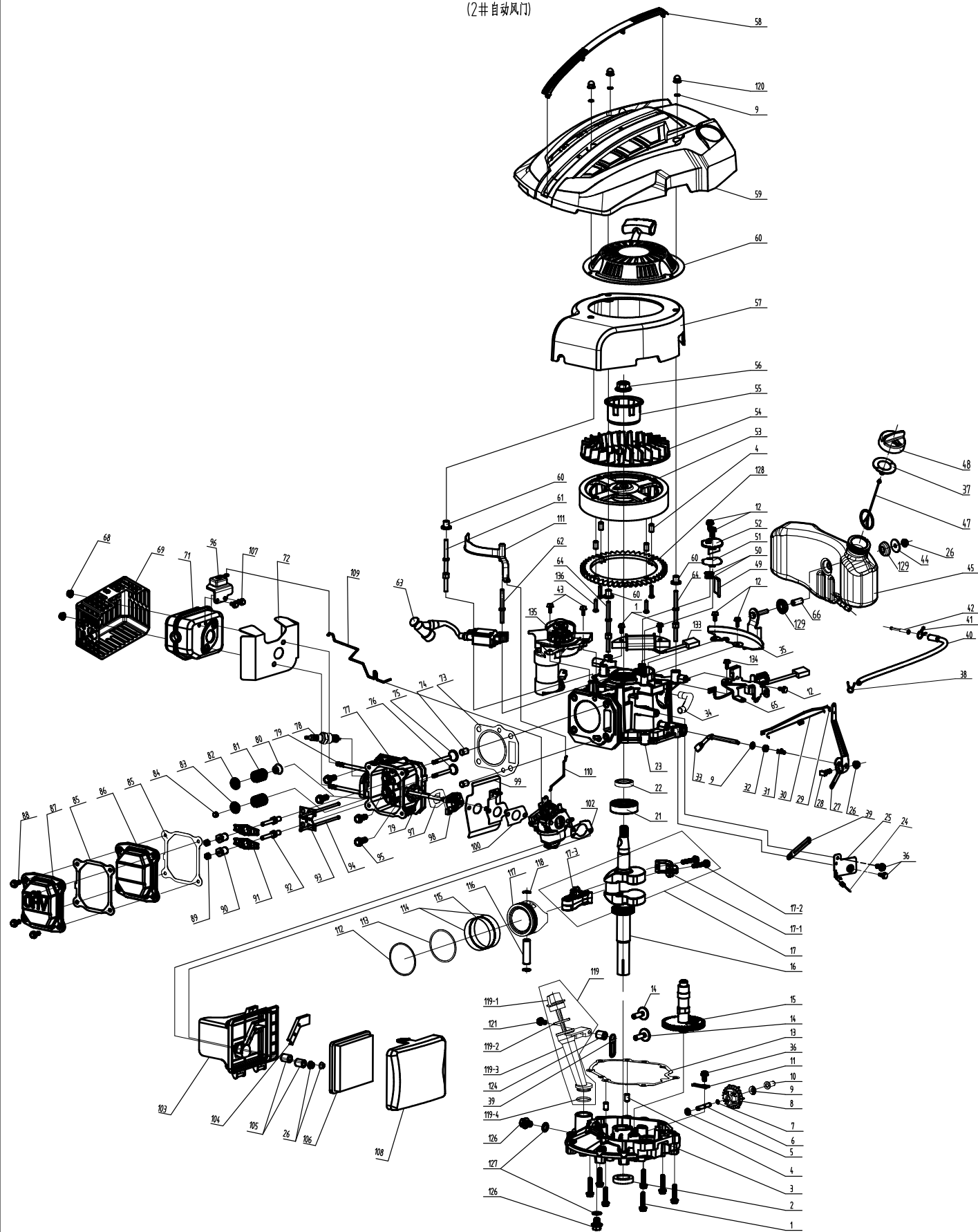


1	70140400000	Blade Adapter Assy	
2	70130350000	blade	
3		wheel assy.	
4		outer cover of hub	
5		wheel assy.	
6		outer cover of hub	

7	20660130000	belt cover	
8	60320210000	v belt	
9	20580020830	quick fix knob	
10	60250080000	Pin	
11	70220020000	Quick Fix Handle	
12	70050180000	lock for fast fix handle	
13	60190140000	flat washer	

14	20040140830	lock nut	
15	60140080000	Hexagon nut	

T475 锂电启动汽油机定速带刹车自充电爆炸图  
(2并自动风门)



						T475			宁波市德霖机械有限公司		
									锂电启动汽油机(2并自动风门)		
标记	人数	分区	更改文件号	签名	年月日						
设计			标准化			阶段标记	数量	重量	比例		
校对			审定			S	1		1.5		
审核						共 1 页			第 1 页		
工艺			批准			版本 A0					

Pos.	Číslo	Poč.	Název
1	60060590000	9	Bolt
2	60360100000	1	oil seal
3	75240140000	1	Crank box cover
4	60280030000	6	spacing pin
5	60200060000	1	Gasket
6	75270010000	1	rate-limiting gear shaft
7		1	Gear Shaft circlip
8	75520020000	1	rete-limiting gear assy.
9	60200490000	2	Gasket
10	25070010000	1	Sliding Sleeve
11	75280010000	1	rate-limiting gear shaft
12	60060520000	5	Bolt
13	75720240000	1	
14	75250010000	2	pin
15	75470020000	1	camshaft assy.
16	75510600000	1	crankshaft assy.
17	75460020000	1	connecting rod assy.
18		1	
19		2	
20		1	
21	60010140000	1	rolling bearing
22	60360090000	1	oil seal
23	75500080000	1	crankshaft box
24	60410470000	1	throttle control spring
25	75360010000	1	throttle assy.
26	60140020000	7	Hex flange nuts
27	75070010000	1	throttle rocker arm
28	60060730000	1	bolt
29	75160010000	1	Handspike of Valve
30	60410050000	1	valve spring
31	60300040000	1	R type pin
32	60360080000	1	oil seal
33	75290010000	1	rate-limiting rocker arm shaft
34	25030050000	1	waste pipe
35	75330050000	1	main bracket of fuel tank
36	60060510000	3	
37	60440330000	1	left bracket of fuel tank
38	60230010000	1	fuel pipe lock clamp II
39	60450010000	2	clip
40	25160010000	1	fuel pipe
41	60230020000	1	fuel pipe lock clamp I
42	25150010000	1	
43	60060580000	2	Bolt
44	60190310000	1	Cushion Blocking gasket
45	25180210000	1	fuel tank body
46			
47	25250080000	1	fuel tank cap sponge
48	25170100000	1	fuel tank cap
49	75150010000	1	oil filter net
50	75100020000	2	
51	75720150000	1	
52	75400010000	1	Respirator Cover Plate Assy
53	75390170000	1	flywheel assy
54	25040110000	1	fan
55	75210010000	1	starter hub
56	60140050000	1	Hex flange nuts
57	25010170000	1	Blower Housing

58	20740100830	1	
59	25190120000	1	
60	75430110000	1	
61	60080200000	1	Different-shaped double-head bolts I
62	60061080000	1	Bolt
63	75370030000	1	ignition assy.
64	60080210000	2	Different-shaped double-head bolts II
65	75380300000	1	detent assy.
66	60240250000	1	
67			
68	60150100000	2	Self-locking nut
69	75530090000	1	muffler cover assy.
70			
71	75540120000	1	muffler assy.
72	75740080000	1	
73	75720100000	1	
74	60280020000	2	spacing pin
75	75170010000	1	IntakeValve
76	75190010000	1	Exhaust Valve
77	75490020000	1	cylinder head assy.
78	75140010000	1	spark plug
79	60080030000	4	Dual-head bolts
80	60360130000	1	oil seal assy
81	60380080000	2	valve spring
82	75180010000	1	Spring Coil of Intake Valve
83	75180020000	1	Spring Coil of Exhaust Valve
84	75200010000	1	Top Cover of Exhaust Valve
85	75720270000	2	
86	75220010000	1	cylinder head cover I
87	75220020000	1	cylinder head cover II
88	60060530000	4	Bolt
89	60160030000	2	And nuts
90	60160050000	2	Valve adjustment nut
91	75230010000	2	Rocker of Valve
92	60060760000	2	valve rocker arm support bolts
93	75260010000	1	push rod director plate
94	75350010000	2	push rod
95	60050030000	4	locking bolt
96	30070420000	1	
97	75730020000	1	
98	25090010000	1	Air Inlet Pipe
99	75730200000	1	
100	75410490000	1	
101	75560050000	1	
102	75730100000	2	
103	25110090000	1	
104	25020040000	1	
105		2	
106	25300020000	1	
107			
108	25120050000	1	Air Filter Upper Cover
109	75760150000	1	
110	75760110000	1	
111	25010180000	1	
112	75130060000	1	Piston Ring I
113	75130030000	1	Piston Ring II
114	75060010000	2	Guide Rail
115	75000010000	1	Bushing Ring

116	60310010000	1	piston pin
117	75120010000	1	Piston
118	60400020000	2	Piston Pin circlip
119	25200100130	1	Lubricating Gauge Assy
120		1	
121	60060630000	1	Bolt
122		1	
123		1	
124	25080010000	1	Distance Sleeve of Lubricating Setting
125		1	
126	60061020000	2	Oil drain bolt
127	60200150000	2	Oil drain bolt gasket
128	25250090000	1	
129	25310030000	2	
130	60170840000	3	
131			
132			
133	30040280000	1	
134	60060570000	1	
135	79990850000	1	
136	60170860000	4	
137	60200490000	3	

编制:

校对:

审核: