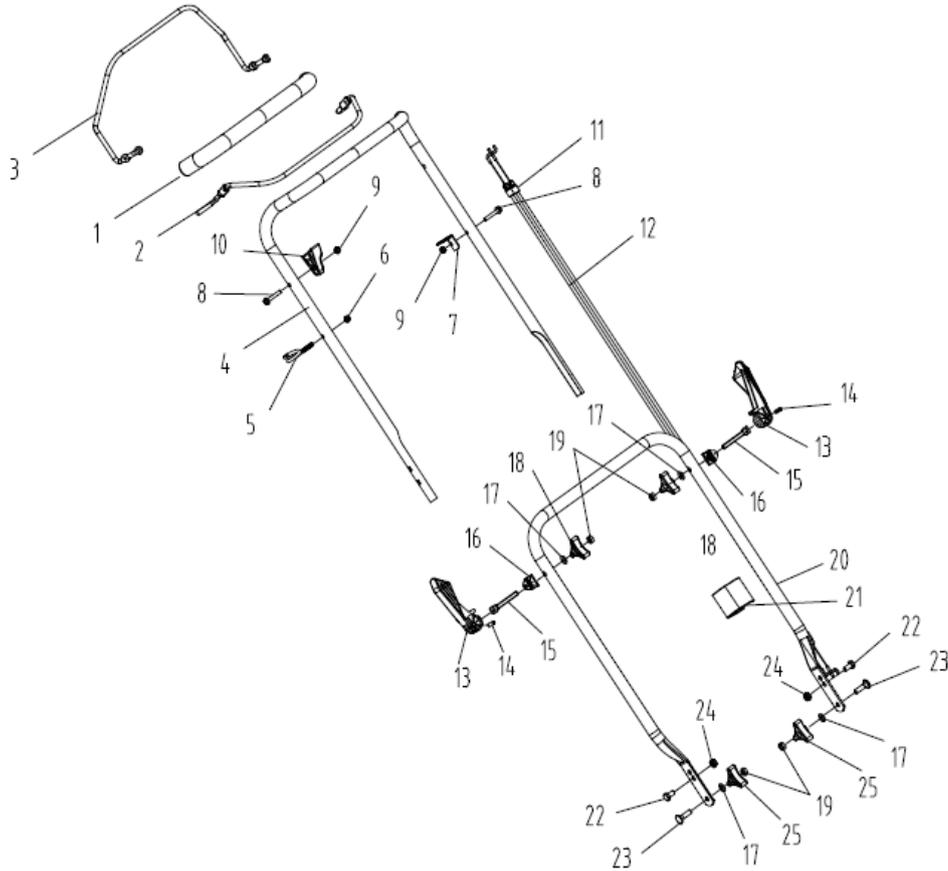
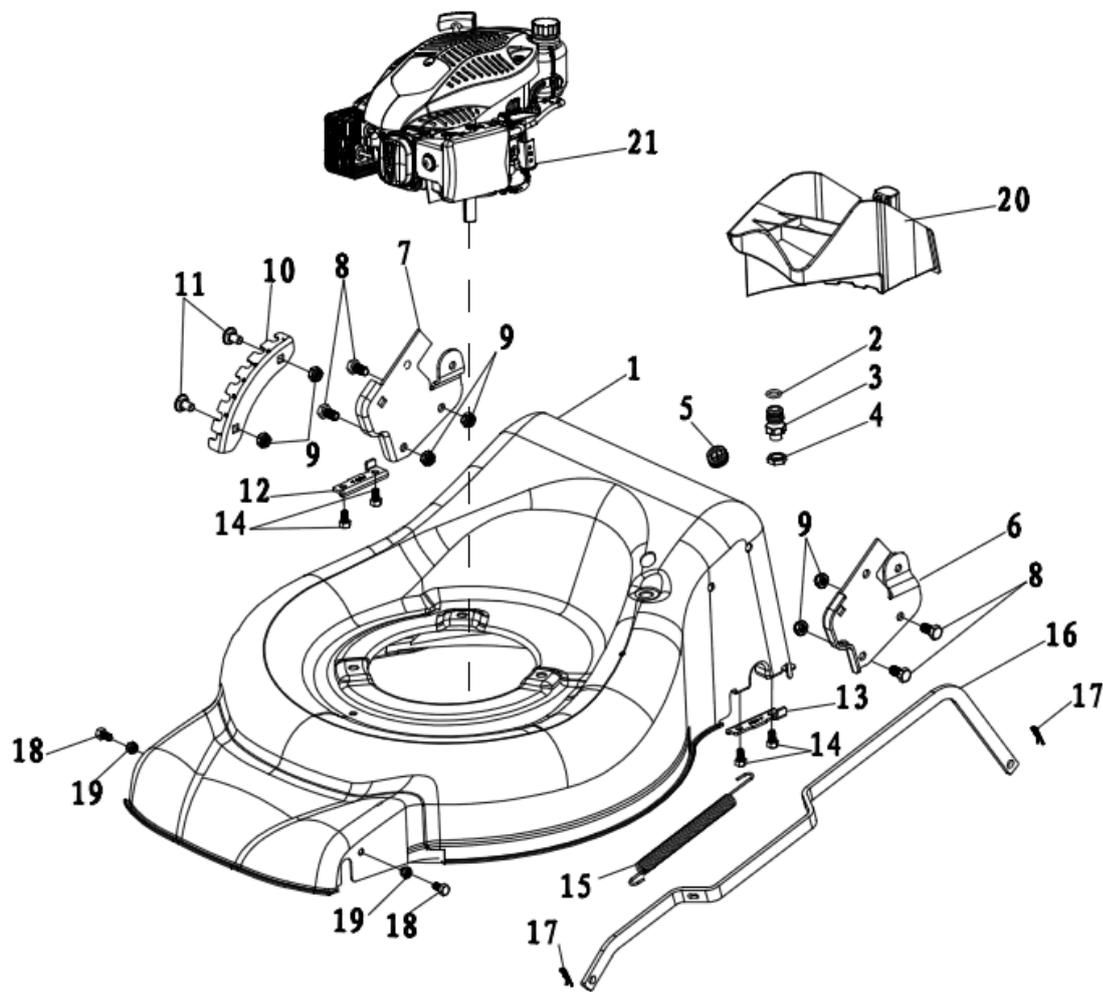


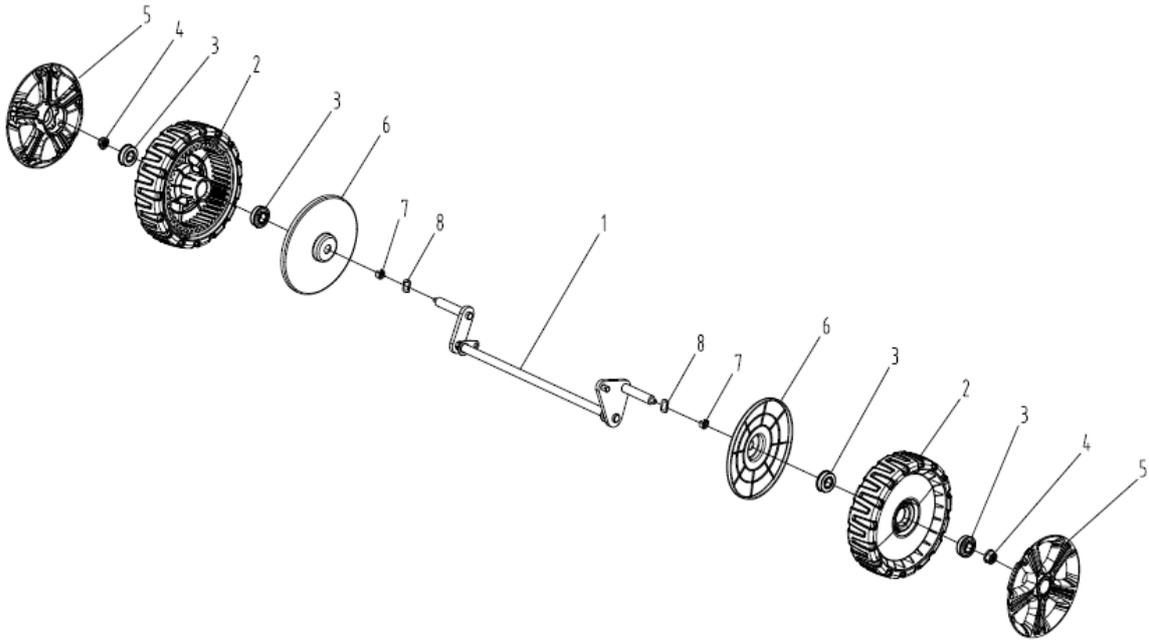
爆炸图编号:	645690-1	日期:	2016.12.7
产品型号:	S461V-T	客户型号: (由外贸部编写)	RPM4635
组件名称:	上下扶手组件	备注:	



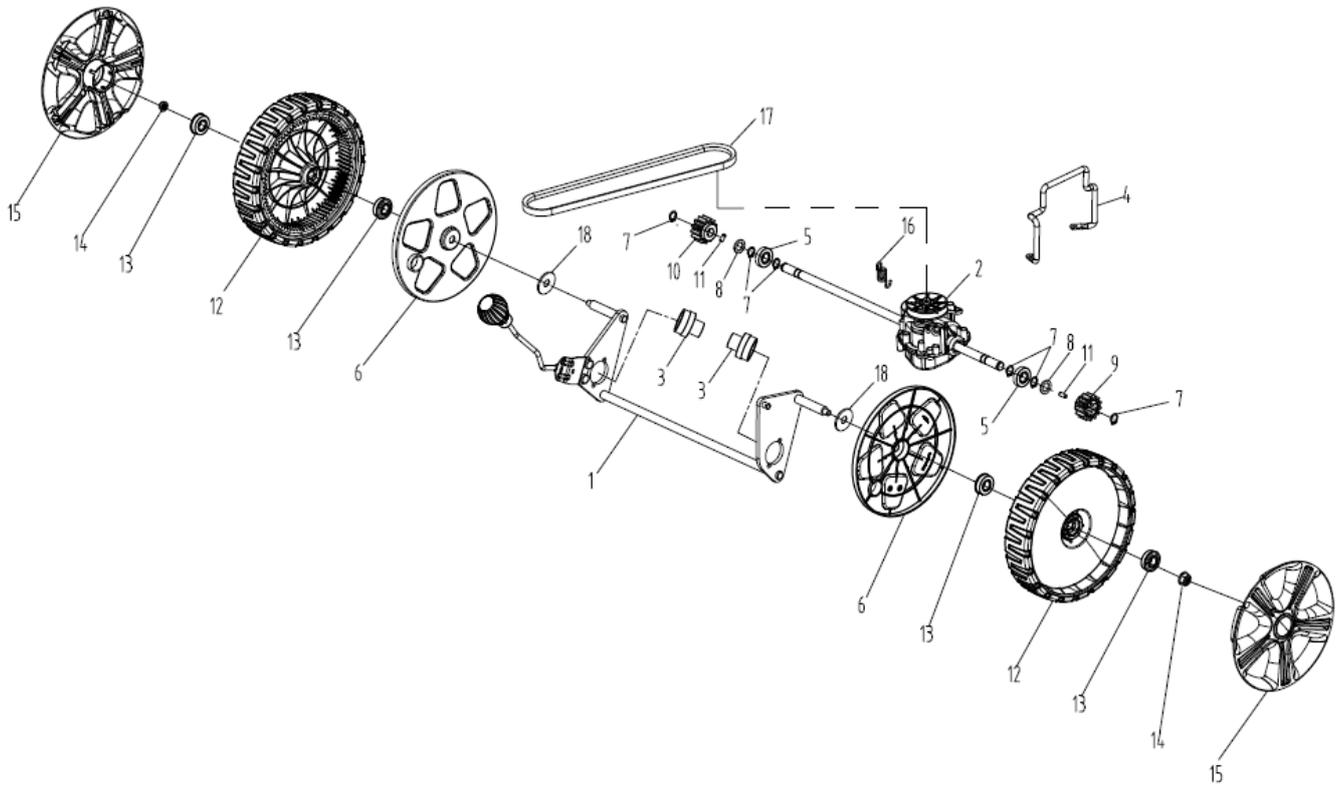
序号	物料号	零件名称	英文名称	数量	备注
1	20340060130	B型发泡管(撕不烂)	foam pipe	1	
2	70540083830	E型熄火扳手	stop lever	1	
3	70550100130	E型自走扳手	Self-propelled Lever	1	
4	70500550031	E4型上扶手(带扶手挡块)	upper handrail	1	
5	70230090000	加大迷宫挂扣	Rope Guide	1	
6	60130020000	盖型螺母 M6/8. 8级	Cap nut	1	
7	70050120000	拉线固定座	Brake Cable Assy plate	1	
8	60060590000	六角法兰面螺栓 M6X30	Bolt	2	
9	60150080000	II型尼龙自锁螺母 M6/8. 8级	Self-locking nut	2	
10	20030030000	扳手挡板	Plastic stopper	1	
11	70810050000	熄火单拉线 B-04	brake cable	1	
12	70780080000	自走单拉线 P-03	selfpropelled cable	1	
13	20580020830	飞鱼快速把手	quick fix knob	2	
14	60250080000	弹性圆柱销	Pin	2	
15	70220020000	扳手拉杆	Quick Fix Handle	2	
16	70050180000	扳手锁块	lock for fast fix handle	2	
17	60190140000	平垫圈 $\phi 8.4 \times \phi 16 \times 1.6$	flat washer	4	
18	20040140830	5#三星旋钮	lock nut	2	
19	60140080000	I型六角螺母 M8	Hexagon nut	4	
20	70520210031	G型下扶手	lower handrail	1	
21	20240020000	三线压线套	fastener	1	
22	60060420000	粗牙全螺纹六角螺栓M8X16	Hexagon head bolts	2	
23	60040090000	大半圆头方颈螺栓 M8X30/8. 8级	half round head square neck	2	
24	60150020000	II型尼龙自锁螺母 M8/8. 8级	Hex lock nut	2	
25	20040050830	3#三星旋钮	triangle knob	2	



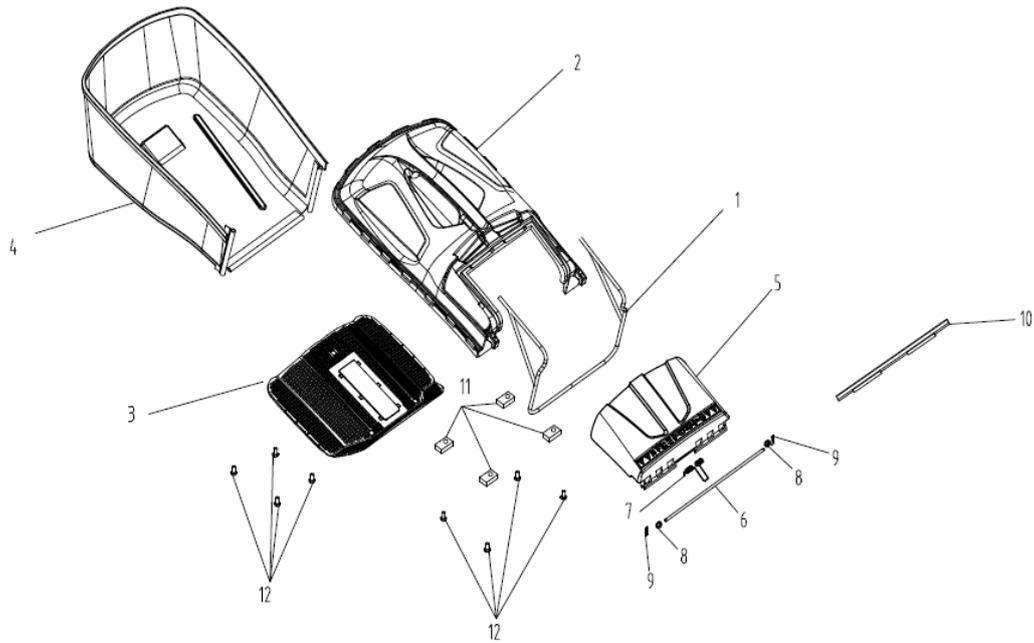
1	70740661130	deck welding assy.	1	
2	60370020000	"O" ring	1	
3	20460010000	inlet	1	
4	20460030000	Pipe connector nut	1	
5	20590020000	cable stopper	1	
6	70070290000	left handle bracket	1	
7	70070300000	left handle bracket	1	
8	60060930000	Hexagon head bolts	4	
9	60150020000	Hex lock nut	6	
10	70250100000	height adjustment board	1	
11	60040020000	Half round head square neck bolts	2	
12	70290050000	rear drive right bracket	1	
13	70290370000	rear drive left bracket	1	
14	60170400000	Hex tapping screws	4	
15	60410080000	Pull Spring for Pull Rod	1	
16	70180270830	Height Adjustment Pull Rod	1	
17	60300030000	R type pin	2	
18	60060520000	Bolt	2	
19	60150080000	Self-locking nut	2	
20	20160120000	mulching plug	1	
21	T545310	petrol engine	1	



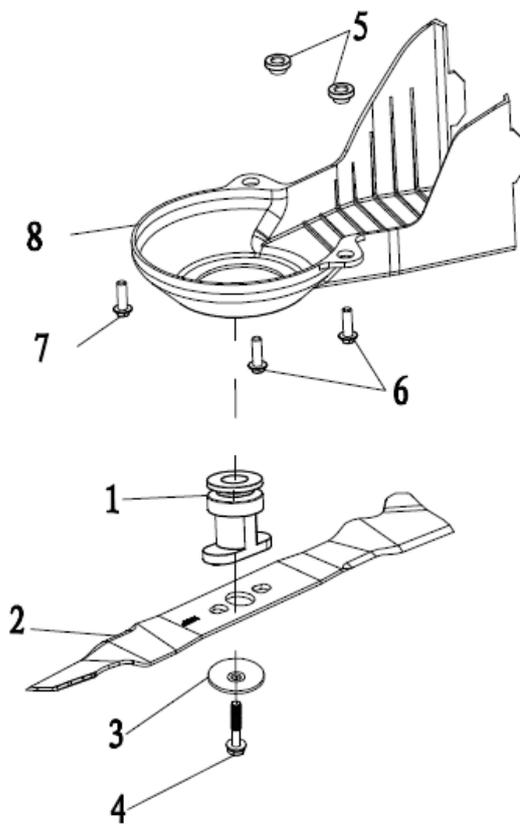
1	70840170000	front drive assy.	1	
2	20880300000	wheel assy.	2	
3		wheel punch bearing	4	
4	60150090000	Self-locking nut	2	
5	20620200830	outer cover of hub	2	
6	20610120000	inner cover of hub	2	
7	20140170000	front bracket fastener	2	
8	60180110000	Resilient washer	2	



1	70850511000	rear drive assy.	1	
	20270010000	height adjustment ball	1	
2	70860370000	selfpropelled assy.	1	
3	20430030440	crankshaft sleeve	2	
4	70050230000	Brake spring	1	
5	20430170000	rear wheel axle sleeve	2	
6	20610050000	inner cover of hub	2	
7	60240060000	spring washer	6	
8	21070030000	selfpropelled ratchet washer	2	
9	70300170000	Ratchet Wheel R	1	
10	70300180000	Ratchet Wheel R	1	
11	60290080000	bratchet pin	2	
12	20880320000	wheel assy.	2	
13		wheel punch bearing	4	
14	60150090000	Self-locking nut	2	
15	20620210830	outer cover of hub	2	
16	60410610000	selfpropelled spring	1	
17	60320210000	v belt	1	
18	60200090000	Gasket	2	



1	70010090000	fabric metal frame	1	
2	20080090000	top of grass box	1	
3	21010010830	filter net of grass bag	1	
4	20050080034	fabric grass bag	1	
5	20380090000	rear discharge cover	1	
6	70030050000	Shaft for rear discharge cover	1	
7	60380240000	cover spring	1	
8	60220010000	lock washer	2	
9	60300030000	R type pin	2	
10	20750070000	rear discharge cover dust proof board	1	
11	70040100000	washer	4	
12	60170290000	Phillips flat head self tapping screws	8	
bez č.	20050080034A	koš komplet		



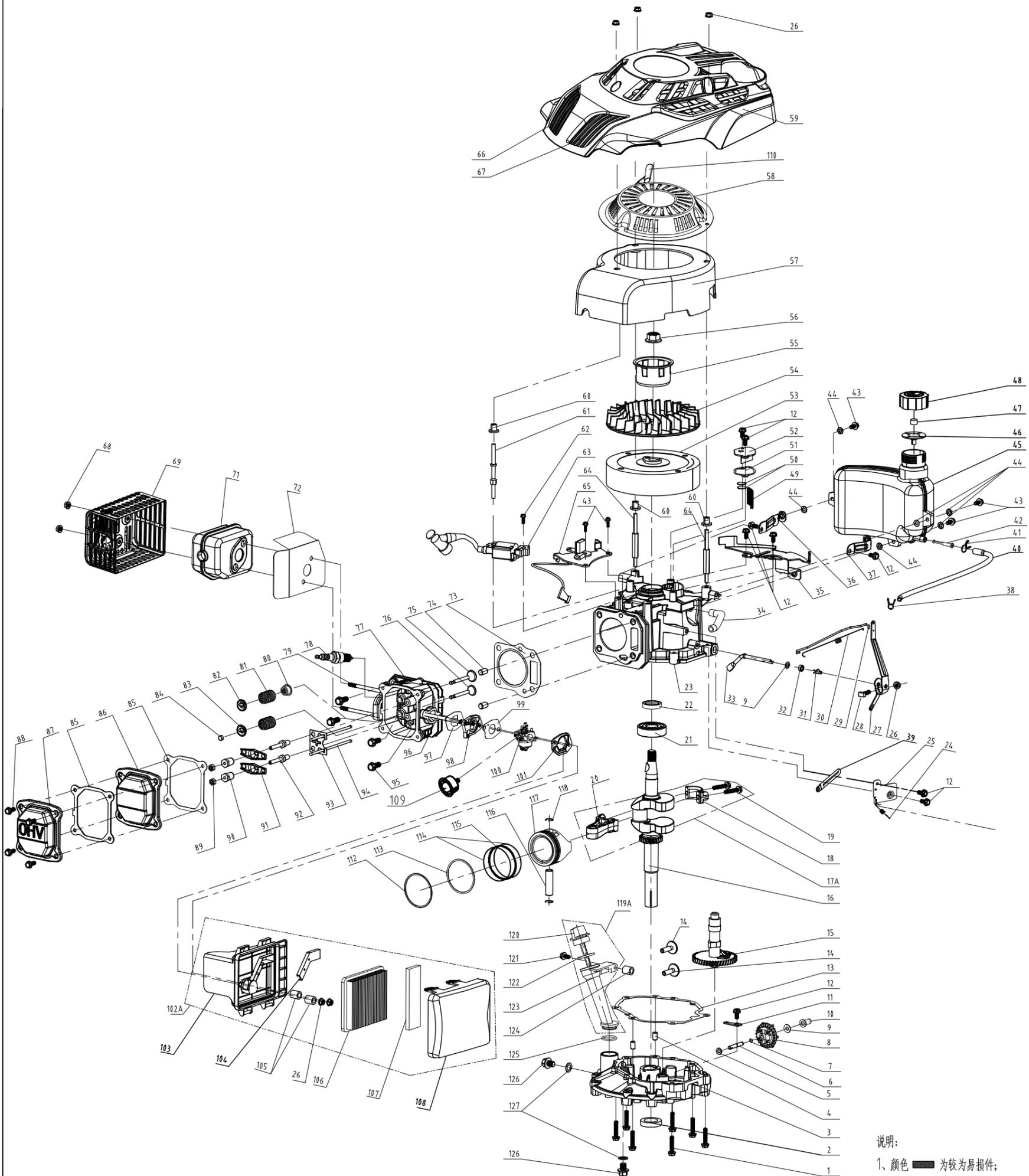
1	70140400000	Blade Adapter Assy	1	
2	70130350000	Double-edge blade	1	
3	70040070000	blade washer	1	
4	60100030000	Inch hex flange bolts	1	
5	70150240000	Chassis bushing	2	
6	60060180000	Hexagon head self tapping screws	2	
7	60060390000	Hexagon China Division Head self tapping screws	1	
8	20660130000	belt cover	1	

1	70140400000	Blade Adapter Assy	
2	70130350000	Double-edge blade	
3	20880320000	wheel assy.	
4	20620210830	outer cover of hub	
5	20880300000	wheel assy.	
6	20620200830	outer cover of hub	

7	20660130000	belt cover	
8	60320210000	v belt	
9	20580020830	quick fix knob	
10	60250080000	Pin	
11	70220020000	Quick Fix Handle	
12	60150090000	lock for fast fix handle	
13	60190140000	flat washer	

14	20040140830	lock nut	
15	60140080000	Hexagon nut	

T475-2汽油机分解图



说明:

- 1、颜色 为较为易损件;
- 2、颜色 为一般易损件;
- 3、本图为带刹车装置不带调速。

修改/删除
 插图
 存盘文件名
 图库图号
 底图图号
 签字
 日期

						宁波市德霖机械有限公司			
						T475带刹车不带调速款			
标记	页数	分区	更改文件号	签名	年月日	阶段标记	数量	重量	比例
设计			标准化				1		1:4
校对			审定						
审核									
工艺			批准						
						共 1 页	第 1 页	版本 A1	

poz.	art. Číslo	počet	název
1	60060590000	7	Bolt
2	60360100000	1	oil seal
3	75240140000	1	Crank box cover
4	60280030000	2	spacing pin
5	60200060000	1	Gasket
6	75270010000	1	rate-limiting gear shaft
7		1	Gear Shaft circlip
8	75520020000	1	rete-limiting gear assy.
9	60200490000	2	Gasket
10	25070010000	1	Sliding Sleeve
11	75280010000	1	rate-limiting gear shaft
12	60060520000	11	Bolt
13	75720240000	1	
14	75250010000	2	pin
15	75470020000	1	camshaft assy.
16	75510600000	1	crankshaft assy.
17	75460020000	1	connecting rod assy.
18		1	
19		2	
20		1	
21	60010140000	1	rolling bearing
22	60360090000	1	oil seal
23	75500010000	1	crankshaft box
24	60410470000	1	throttle control spring
25	75360010000	1	throttle assy.
26	60150080000	6	Hex flange nuts
27	75070010000	1	throttle rocker arm
28	60060730000	1	bolt
29	75160010000	1	Handspike of Valve
30	60410050000	1	valve spring
31	60300040000	1	R type pin
32	60360080000	1	oil seal
33	75290010000	1	rate-limiting rocker arm shaft
34	25030020000	1	waste pipe
35	75330010000	1	main bracket of fuel tank
36	75310010000	1	right bracket of fuel tank
37	75340010000	1	left bracket of fuel tank
38	60230010000	1	fuel pipe lock clamp II
39	60450010000	1	clip
40	25160010000	1	fuel pipe
41	60230020000	1	fuel pipe lock clamp I
42	25150010000	1	
43	60060560000	3	Bolt
44	25310010000	6	Cushion Blocking gasket
45	25180130000	1	fuel tank body
46	60440030000	1	Fuel Tank Cap seal gasket
47	80010070000	1	fuel tank cap sponge
48	25170050000	1	fuel tank cap
49	75150010000	1	oil filter net
50	75100020000	2	
51	75720150000	1	
52	75400010000	1	Respirator Cover Plate Assy
53	75390130000	1	flywheel assy
54	25040110000	1	fan
55	75210010000	1	starter hub
56	60140050000	1	Hex flange nuts
57	25010010000	1	Blower Housing
58	75430110000	1	pull starter assy.
59	25190080000	1	
60		1	
61	60080100000	1	Different-shaped double-head bolts I
62	60060590000	1	Bolt
63	75370030000	1	ignition assy.
64	60080120000	2	Different-shaped double-head bolts II
65	75380070000	1	detent assy.
66	25000020830		
67	25000030830		
68	60150100000	2	Self-locking nut
69	75530020000	1	muffler cover assy.

70			
71	75540020000	1	muffler assy.
72	75740020000	1	
73	75720100000	1	
74	60280020000	2	spacing pin
75	75170010000	1	IntakeValve
76	75190010000	1	Exhaust Valve
77	75490020000	1	cylinder head assy.
78	75140010000	1	spark plug
79	60080020000	2	Dual-head bolts
80	60360130000	1	oil seal assy
81	60380080000	2	valve spring
82	75180010000	1	Spring Coil of Intake Valve
83	75180020000	1	Spring Coil of Exhaust Valve
84	75200010000	1	Top Cover of Exhaust Valve
85	75720270000	2	
86	75220010000	1	cylinder head cover I
87	75220020000	1	cylinder head cover II
88	60060530000	4	Bolt
89	60160030000	2	And nuts
90	60160050000	2	Valve adjustment nut
91	75230010000	2	Rocker of Valve
92	60060760000	2	valve rocker arm support bolts
93	75260010000	1	push rod director plate
94	75350010000	2	push rod
95	60050030000	4	locking bolt
96	60080030000	2	Dual-head bolts
97	75730020000	1	
98	25090010000	1	Air Inlet Pipe
99	75730030000	1	
100	75410050000	1	carburetor assy.
101	75730100000	1	Steel Gasket
102			
103	25220010000	1	Air Filter Pedestal
104	25020010000	1	Exhaust Gas Cover Board
105		2	
106	25300020000	1	
107	25300010000	1	
108	25120010000	1	Air Filter Upper Cover
109	25210020130	1	prime button I
110		1	start handle
111			
112	75130060000	1	Piston Ring I
113	75130030000	1	Piston Ring II
114	75060010000	2	Guide Rail
115	75000010000	1	Bushing Ring
116	60310010000	1	piston pin
117	75120010000	1	Piston
118	60400020000	2	Piston Pin circlip
119	25200100130	1	Lubricating Gauge Assy
120		1	
121	60060570000	1	Bolt
122		1	
123		1	
124	25080010000	1	Distance Sleeve of Lubricating Setting
125		1	
126	60061020000	2	Oil drain bolt
127	60200150000	2	Oil drain bolt gasket