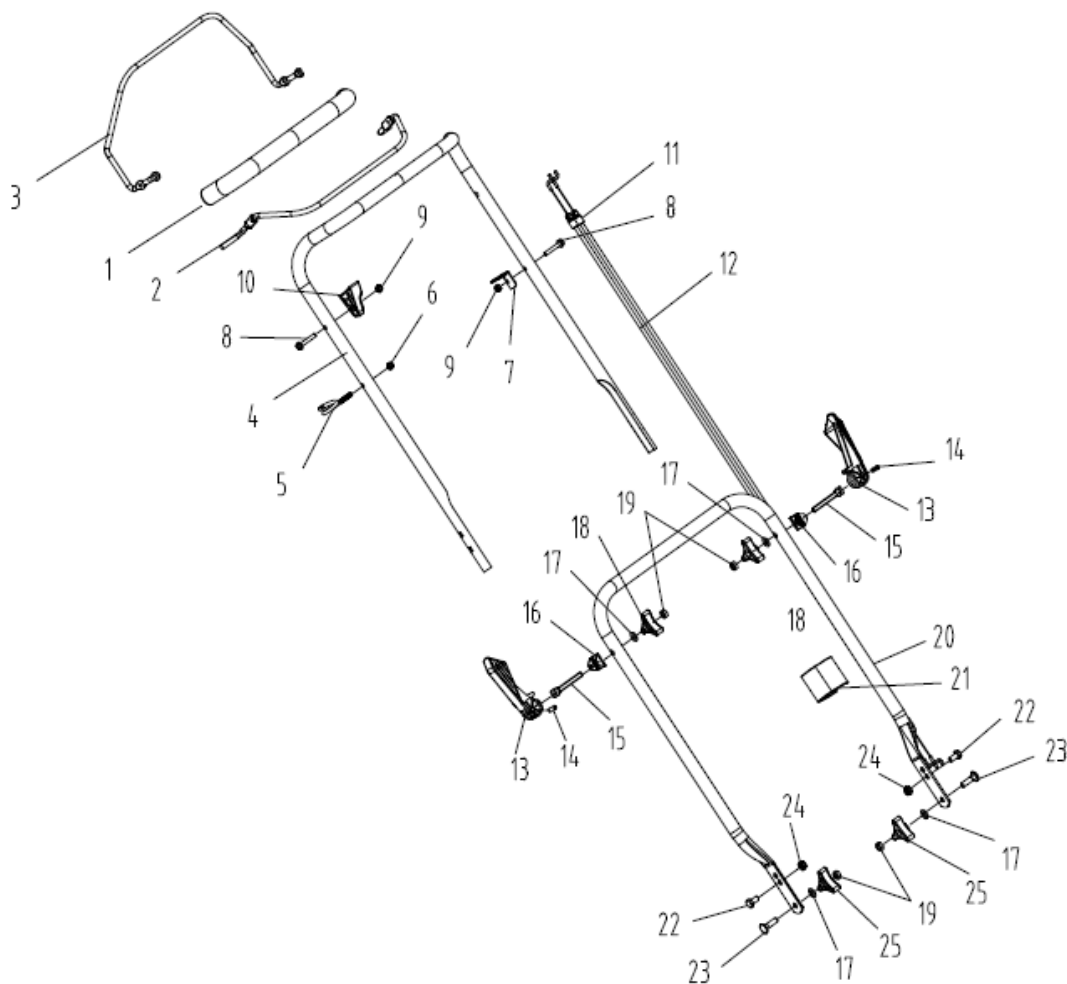


2016.12.6

RPM5135

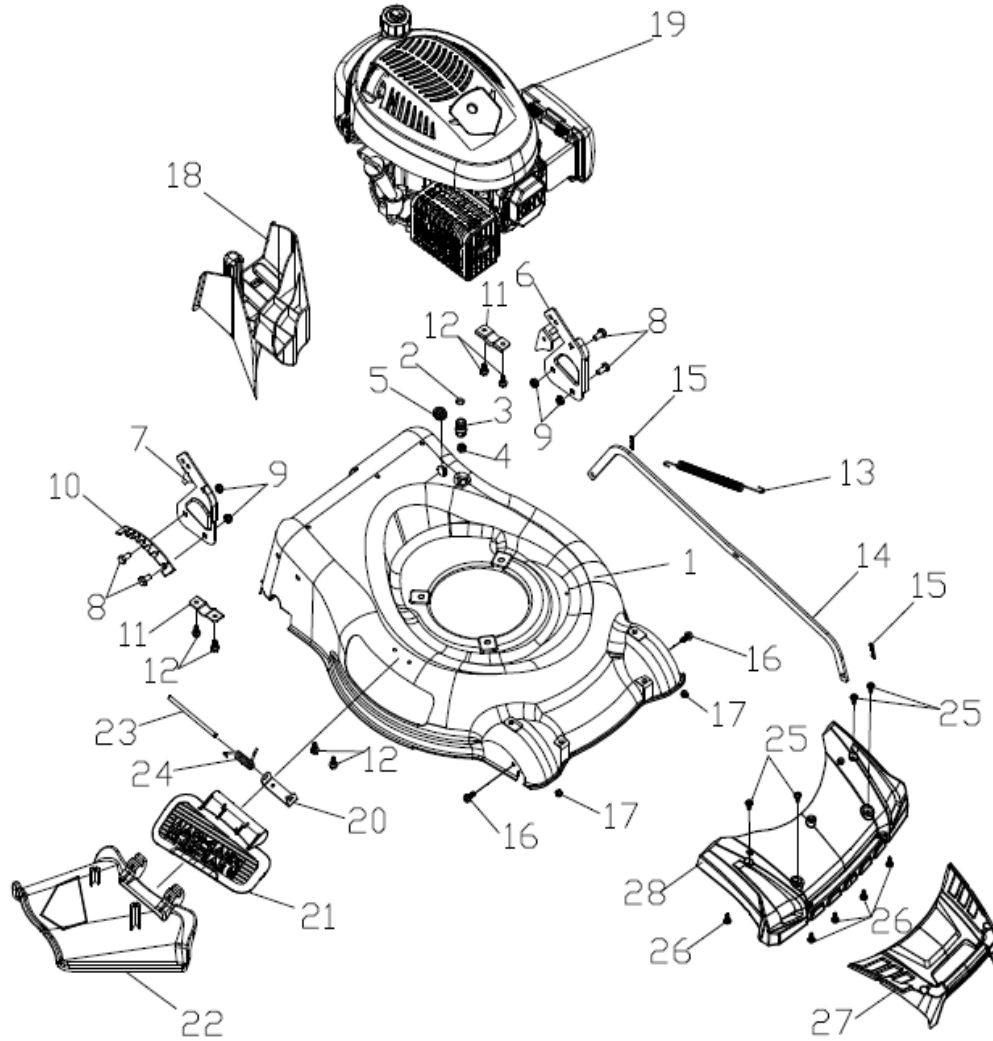


poz.	číslo	název eng.	počet	
1	20340060130	foam pipe	1	
2	70540083830	stop lever	1	
3	70550100130	Self-propelled Lever	1	
4	70500550031	upper handrail	1	
5	70230090000	Rope Guide	1	
6	60130020000	Cap nut	1	
7	70050120000	Brake Cable Assy plate	1	
8	60060590000	Bolt	2	
9	60150080000	Self-locking nut	2	
10	20030030000	Plastic stopper	1	
11	70810050000	brake cable	1	
12	70780080000	selfpropelled cable	1	
13	20580020830	quick fix knob	2	
14	60250080000	Pin	2	
15	70220020000	Quick Fix Handle	2	
16	70050180000	lock for fast fix handle	2	
17	60190140000	flat washer	4	
18	20040140830	lock nut	2	
19	60140080000	Hexagon nut	4	
20	70520210031	lower handrail	1	
21	20240020000	fastener	1	
22	60060420000	Hexagon head bolts	2	
23	60040090000	half round head square neck bolt	2	

24	60150020000	Hex lock nut	2	
25	20040050830	triangle knob	2	

2016.12.6

RPM5135

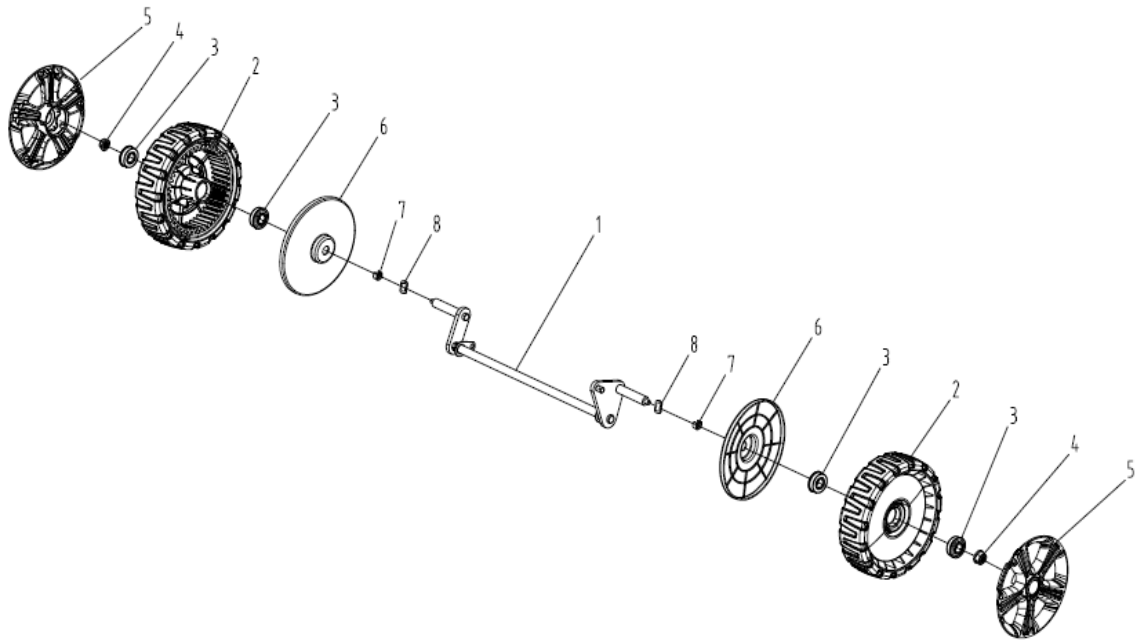


poz.	číslo	název eng.	počet
1	70740920130	deck welding assy.	1
2	60370020000	"O" ring	1
3	20460010000	inlet	1
4	20460030000	Pipe connector nut	1
5	20590020000	cable stopper	1

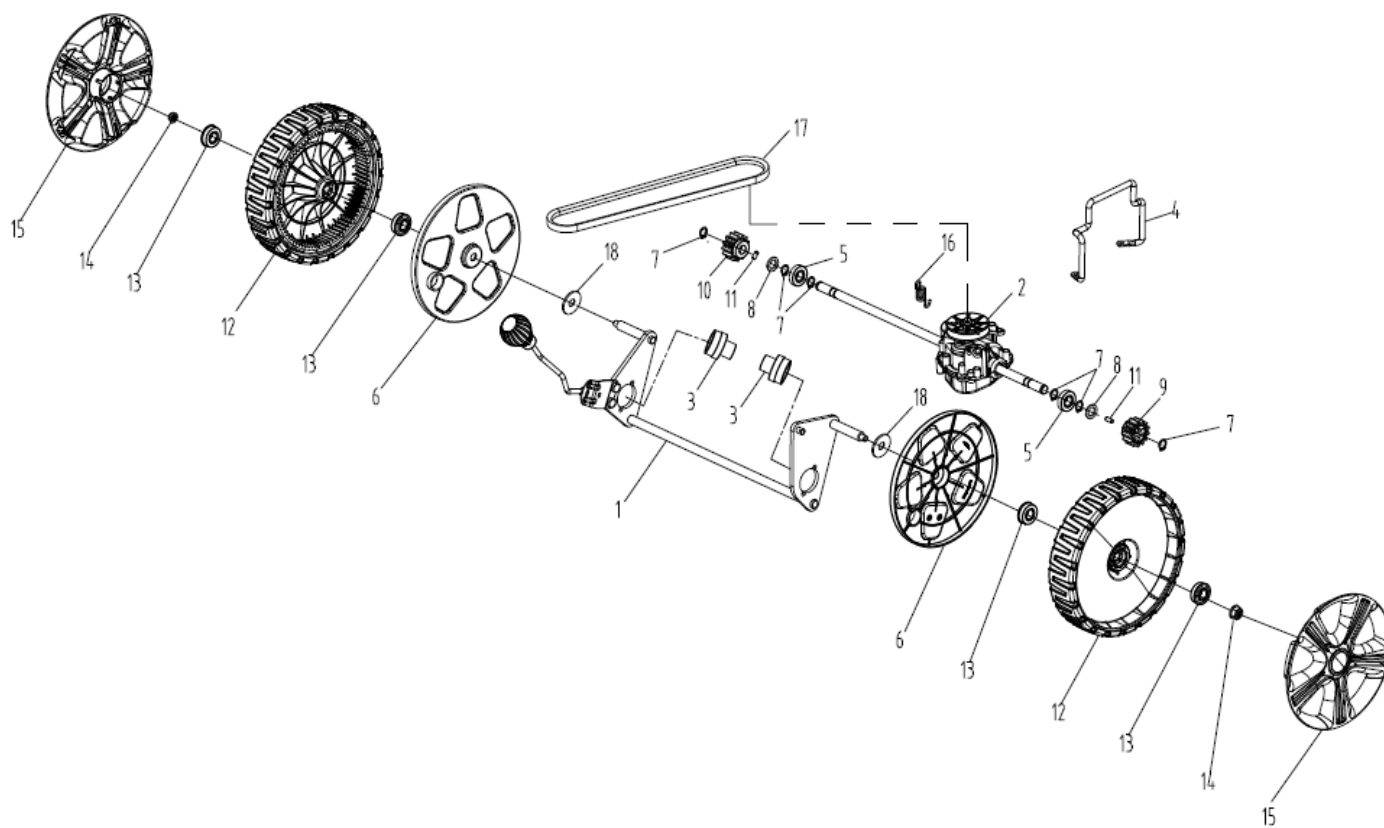
6	70070120000	left handle bracket	1	
7	70070060000	left handle bracket	1	
8	60060420000	Hexagon head bolts	4	
9	60150020000	Hex lock nut	4	
10	70250060000	height adjustment board	1	
11	70290200000	rear drive bracket	2	
12	60170400000	Hex tapping screws	6	
13	60410080000	Pull Spring for Pull Rod	1	
14	70180180830	Height Adjustment Pull Rod	1	
15	60300030000	R type pin	2	
16	60060520000	Bolt	2	
17	60150080000	Self-locking nut	2	
18	20160090000	mulching plug	1	
19	T545240	petrol engine	1	
20	70060060130	Bracket plate for defelctor	1	
21	20120010000	mulching board	1	
22	20110080000	side discharge cover	1	
23	70030070000	Mulch Shaft	1	
24	60390010000	mulch board spring	1	
25	60170290000	Phillips flat head self tappin	4	
26	60170300000	Phillips flat head self tappin	5	
27	20200240000	front mask	1	
28	20200250000	front mask	1	

2016.12.6

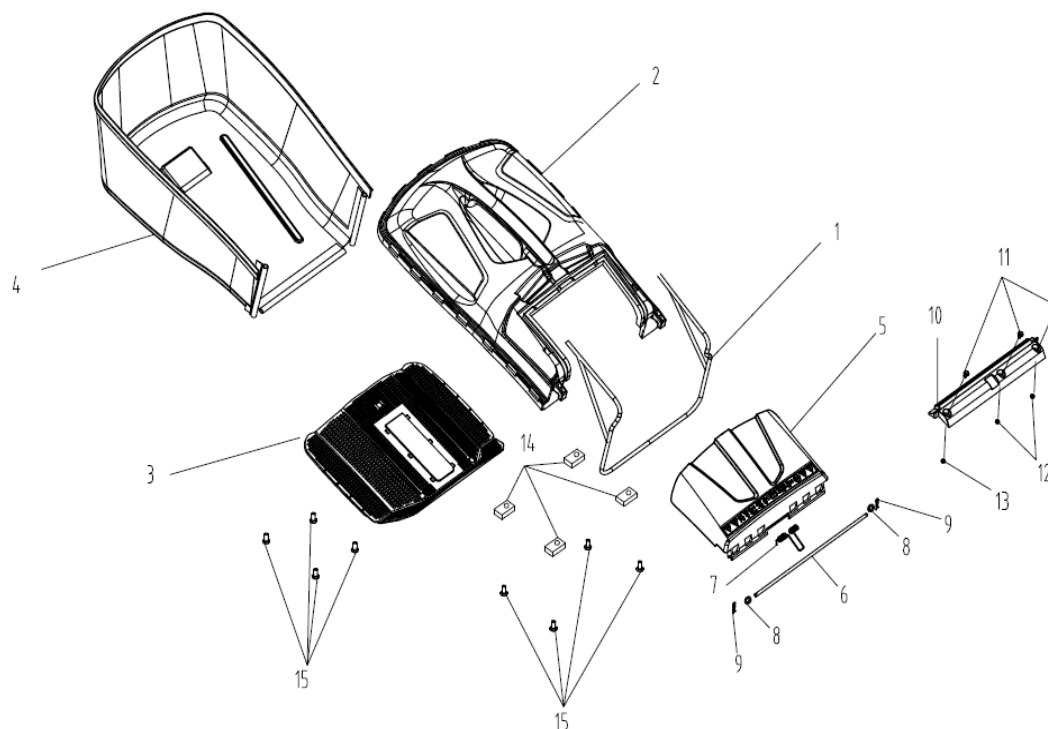
RPM5135



poz.	číslo	název eng.	počet	
1	70840150000	front drive assy.	1	
2	20880300000	wheel assy.	2	
3		wheel punch bearing	4	
4	60150090000	Self-locking nut	2	
5	20620200830	outer cover of hub	2	
6	20610120000	inner cover of hub	2	
7	20140170000	front bracket fastener	2	
8	60180110000	Resilient washer	2	

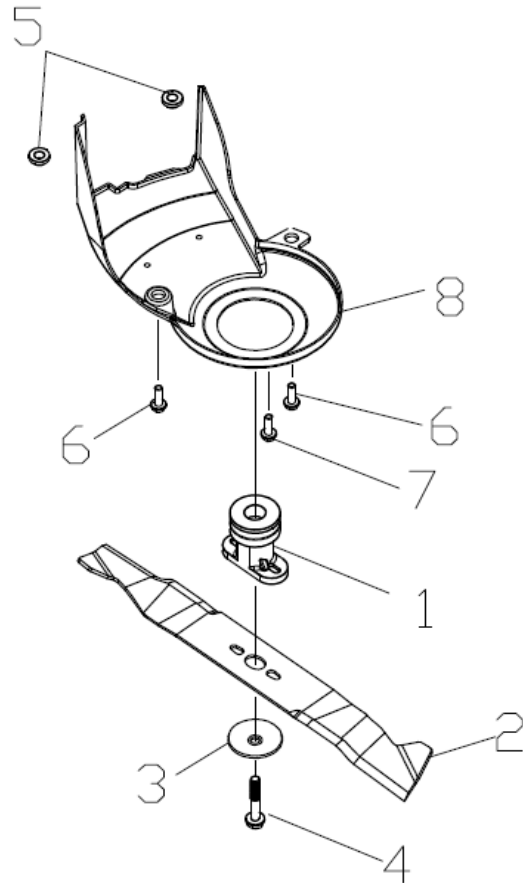


poz.	číslo	název eng.	počet	
1	70850570000	rear drive assy.	1	
	20270010000	height adjustment ball	1	
2	70860390000	petrol engine	1	
3	20430030440	bush	3	
4	70050230000	Brake spring	1	
5	20430140000	rear wheel axle sleeve	2	
6	20610060000	inner cover of hub	2	
7	60240060000	spring washer	6	
8	21070030000	selfpropelled ratchet washer	2	
9	70300190000	Ratchet Wheel L	1	
10	70300200000	Ratchet Wheel R	1	
11	60290070000	bratchet pin	2	
12	20880330000	wheel assy.	2	
13		wheel punch bearing	4	
14	60150090000	Self-locking nut	2	
15	20620230830	outer cover of hub	2	
16	60410560000	selfpropelled spring	1	
17	60320060000	v belt	1	
18	60200090000	Gasket	2	

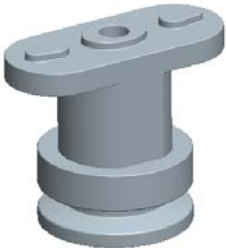







poz.	číslo	název eng.	počet	
1	70010090000	草箱铁框	fabric metal frame	1
2	20080090000	草箱上盖	top of grass box	1
3	21010010830	草箱过滤网	filter net of grass bag	1
4	20050080034	60L-2#黑色布两侧印1375C "Riwall PRO TO WORK WITH JOY" 草箱皮	fabric grass bag	1
5	20380090000	后草盖	rear discharge cover	1
6	70030050000	后草盖轴	Shaft for rear discharge cover	1
7	60380240000	后草盖弹簧	cover spring	1
8	60220010000	内齿锁紧垫圈 $\varnothing 6$	lock washer	2
9	60300030000	R型开口销 1.5X25GB91-86-10	R type pin	2
10	20750090000	后草盖防尘板	rear discharge cover dust proof board	1
11	60060290000	六角法兰面螺栓 M5*12GB/T5789/8.8级	Bolt	3
12	60150060000	II型六角自锁螺母 M5GB/T6182	Self-locking nut	2
13	60130010000	盖型螺母 M5GB/T923	Cap nut	1
14	70040100000	草箱护架垫片	washer	4
15	60170290000	十字槽平圆头自攻螺钉ST6.3X14	Phillips flat head self tapping screw	8



			2016.12.6
			RPM5135



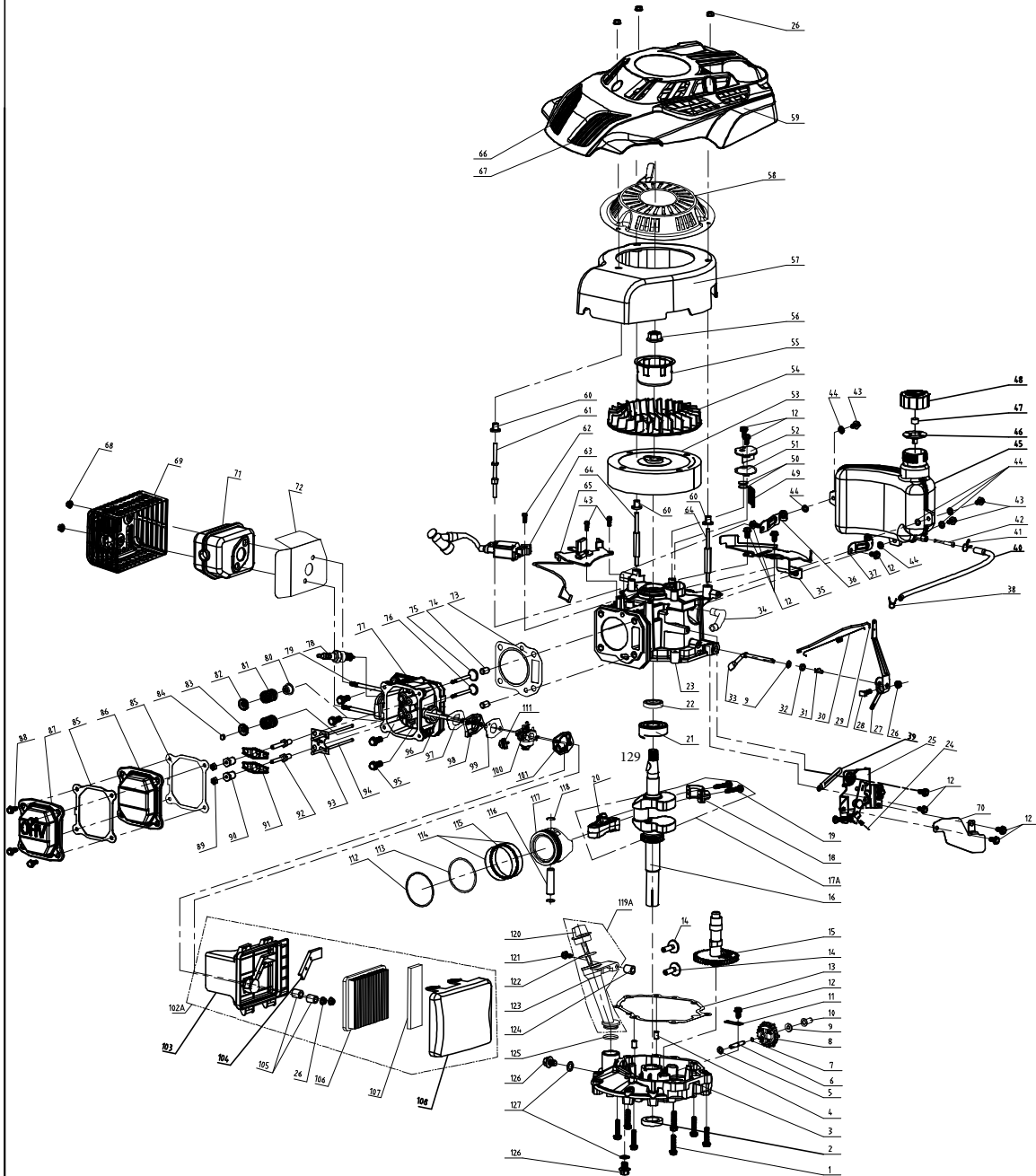
poz.	číslo	název eng.	počet
1	70140400000	Blade Adapter Assy	1
2	70130360000	blade	1
3	70040070000	blade washer	1
4	60100030000	Inch hex flange bolts	1
5	70150240000	Chassis bushing	2
6	60060180000	Hex flange bolts	2
7	60060390000	Hex flange bolts	1
8	20660110000	belt cover	1

			2016.12.6
			RPM5135
1	70140400000	Blade Adapter Assy	
2	70130360000	blade	
3	20880330000	wheel assy.	
4	20620230830	outer cover of hub	
5	20880300000	wheel assy.	
6	20620200830	outer cover of hub	

7	20660110000	belt cover	
8	60320060000	v belt	
9	20580020015	quick fix knob	
10	60250080000	Pin	
11	70220020000	Quick Fix Handle	
12	60190040000	flat washer	
13	20040140830	triangle knob	

14	20120010000	mulching board	
15	20110080000	side discharge cover	

T475- 2013



Part No.	Material no.	English Description	Qty
1	60060590000	Bolt	7
2	60360100000	oil seal	1
3	75240010000	Crank box cover	1
4	60280030000	spacing pin	2
5	60200060000	Gasket	1
6	75270010000	rate-limiting gear shaft	1
7	60400010000	Gear Shaft circlip	1
8	75520020000	rete-limiting gear assy.	1
9	60200070000	Gasket	2
10	25070010000	Sliding Sleeve	1
11	75280010000	rate-limiting gear shaft	1
12	60060520000	Bolt	11
13	75720010000	Seal Gasket of Crankcase	1
14	75250010000	pin	2
15	75470020000	camshaft assy.	1
16	75510010000	crankshaft assy.	1
17	75460020000	connecting rod assy.	1
18	75460020-2	connecting rod cap	1
19	75460020-3	connecting rod bolt	2
20	75460020-1	connecting rod body	1
21	60010140000	rolling bearing	1
22	60360090000	oil seal	1
23	75500010000	crankshaft box	1
24	60410190000	throttle control spring	1
25	75360040000	throttle assy.	1
26	60140020000	Hex flange nuts	6
27	75070060000	throttle rocker arm	1
28	60060730000	bolt	1
29	75160010000	Handspike of Valve	1
30	60410050000	valve spring	1
31	60300040000	R type pin	1
32	60360080000	oil seal	1
33	75290010000	rate-limiting rocker arm shaft	1
34	25030030000	waste pipe	1
35	75330010000	main bracket of fuel tank	1
36	75310010000	right bracket of fuel tank	1
37	75340010000	left bracket of fuel tank	1
38	60230010000	fuel pipe lock clamp II	1
39	60450010000	clip	1
40	25160010000	fuel pipe	1
41	60230020000	fuel pipe lock clamp I	1
42	25150010000	Filtering Net Duct of Fuel	1
43	60060570000	Bolt	5
44	60440170000	Cushion Blocking gasket	6

45	25180010000	fuel tank body	1
46	60440030000	Fuel Tank Cap seal gasket	1
47	80010070000	fuel tank cap sponge	1
48	25170010440	fuel tank cap	1
49	75150010000	oil filter net	1
50	75100020000	Valve Element of Respirator Cover	2
51	75720150000	Gasket of Respirator Cover	1
52	75400010000	Respirator Cover Plate Assy	1
53	75390020000	flywheel assy	1
54	25040010000	fan	1
55	75210010000	starter hub	1
56	60140050000	Hex flange nuts	1
57	25010010000	Blower Housing	1
58	75430020200	pull starter assy.	1
59	25190080000	Engine Cover	1
60	25010010-1	Blower Housing Bush	1
61	60080100000	Different-shaped double-head bolts I	1
62	60060580000	Bolt	1
63	75370030000	ignition assy.	1
64	60080120000	Different-shaped double-head bolts II	2
65	75380070000	Detent Assy	1
66	25000020200	left decorative dilms	1
67	25000030200	right decorative dilms	1
68	60150100000	Self-locking nut	2
69	75530020000	muffler cover assy.	1
70	75010020000	throttle protector board	1
71	75540020000	muffler assy.	1
72	75740020000		1
73	75720100000		1
74	60280020000	spacing pin	2
75	75170010000	IntakeValve	1
76	75190010000	Exhaust Valve	1
77	75490020000	cyclinder head assy.	1
78	75140020000	spark plug	1
79	60080020000	Dual-head bolts	2
80	60360130000	oil seal assy	1
81	60380080000	valve spring	2
82	75180010000	Spring Coil of Intake Valve	1
83	75180020000	Spring Coil of Exhaust Valve	1
84	75200010000	Top Cover of Exhaust Valve	1
85	75720070000		2
86	75220010000	cyclinder head cover I	1
87	75220020000	cyclinder head cover II	1
88	60060530000	Bolt	4
89	60160030000	And nuts	2

90	60160050000	Valve adjustment nut	2
91	75230010000	Rocker of Valve	2
92	60060760000	valve rocker arm support bolts	2
93	75260010000	push rod director plate	1
94	75350010000	push rod	2
95	60050030000	locking bolt	4
96	60080030000	Dual-head bolts	2
97	75730020000		1
98	25090010000	Air Inlet Pipe	1
99	75730030000		1
100	75410070000	carburetor assy.	1
101	60440190000	Steel Gasket	1
102			1
103	25220010000	Air Filter Pedestal	1
104	25020010000	Exhaust Gas Cover Board	1
105	75050030		2
106	25300020000		1
107	25300010000		1
108	25120010000	Air Filter Upper Cover	1
111	25210020050	prime button II	1
112	75130060000	Piston Ring I	1
113	75130030000	Piston Ring II	1
114	75060010000	Guide Rail	2
115	75000010000	Bushing Ring	1
116	60310010000	piston pin	1
117	75120010000	Piston	1
118	60400020000	Piston Pin circlip	2
119	25200040050	Lubricating Gauge Assy	1
120	25200040-2	Lubricating Gauge	1
121	60060630000	Bolt	1
122	GB3452	"O" Ring 25x3.1	1
123	25200040-1	Lubricating Pipe	1
124	25080010000	Distance Sleeve of Lubricating Setting	1
125	GB3452	"O" Ring 21x2.3	1
126	60060780000	Oil drain bolt	2
127	60200150000	Oil drain bolt gasket	2