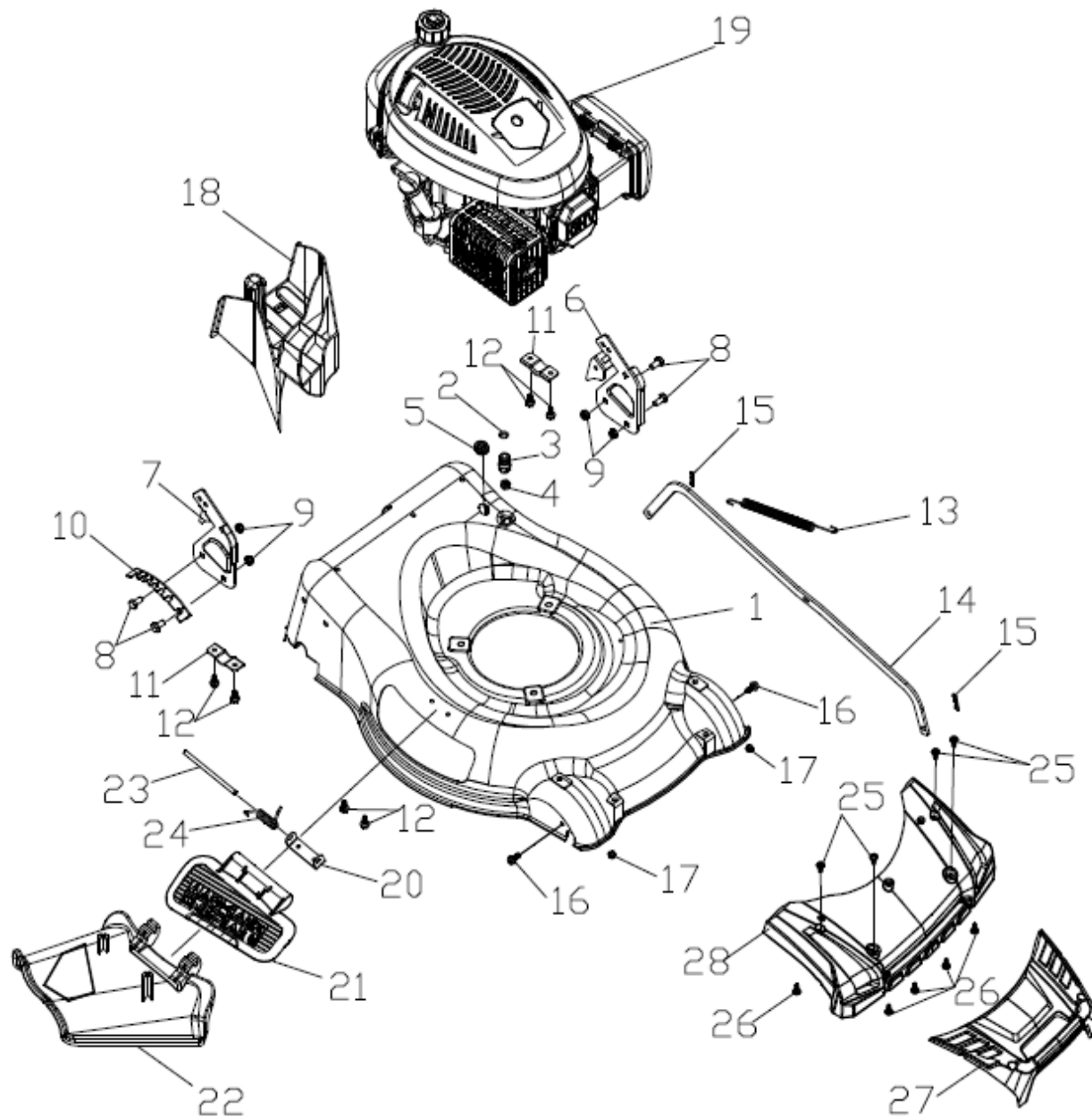


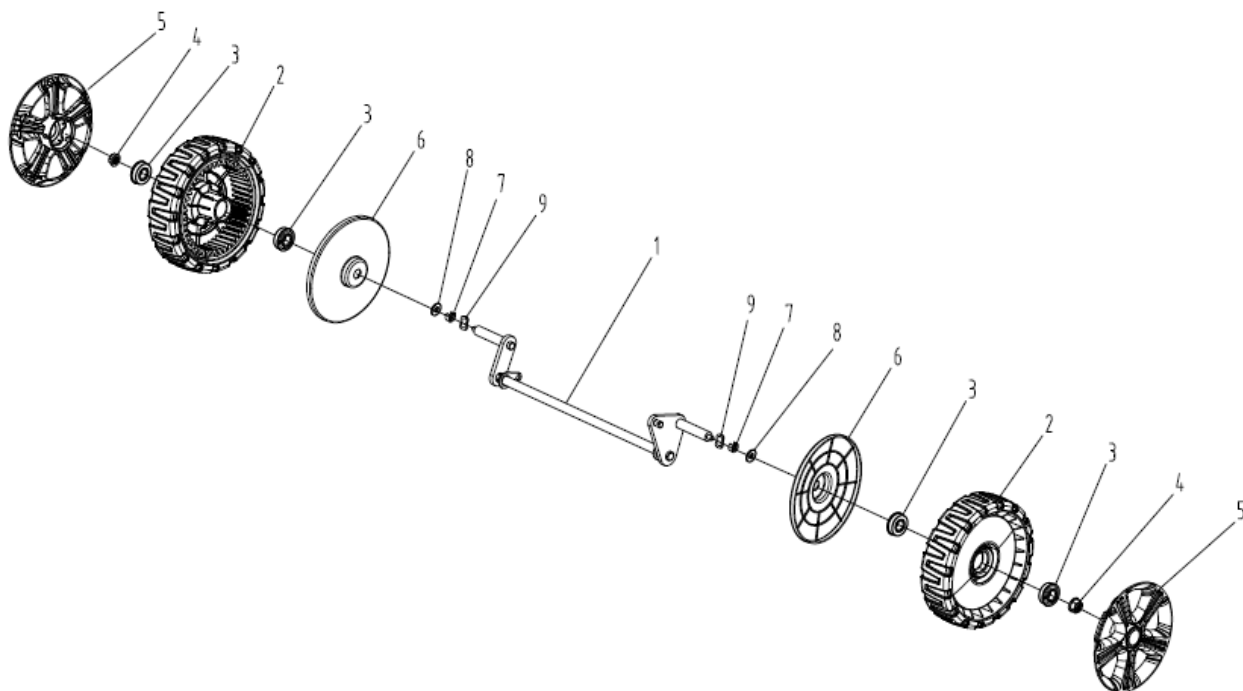
pozice	číslo	název	počet
1	20340110130	foam pipe	1
2	70500360031	upper handrail	1
3	70540120830	stop lever	1
4	20340120830	foam pipe	1
5	70550080130	Self-propelled Lever	1
6	20340130130	foam pipe	1
7	20490040000	Flameout wrench fixed block	1
8	20490050000	Flameout wrench fixed block	1
9	20490020000	Wrench fixed block	1
10	20490030000	Wrench fixed block	1
11	20490060000	fixed block	4
12	60170570000		4
13	60150030000	Hex lock nut	4
14	70510030031	middle handrail	2
15	60040150000	hair round head square neck bolts	1
16	60150020000	Hex lock nut	5
17	60170800000	Cross recessed countersunk head screws	4
18	60150060000	Self-locking nut	4
19	60060870000	Hexagon head bolts	1
20	60190140000	flat washer	5
21	71190010000	Stepress speed regulation handle	1
22	70050100000	Cable fixed block	1
23	70150220000	bushing	1

24	60200360000	SPRING WASHER	1	
25	60200020000	flat washer	1	
26	20310030830	throttle box handle	1	
27	60040090000	half round head square neck bolt	3	
28	70050110000	Cable fixed block	1	
29	20300070000	Left control box cover	1	
30	20300080000	Left control box cover	1	
31	60170440000	Cross recessed countersunk head screw	6	
32	20300050000	right control box cover	1	
33	20300060000	right control box cover	1	
34	20300090000	Adjust ment cover plate	1	
35	20580020830	quick fix knob	2	
36	60250080000	Pin	2	
37	60140080000	Hexagon nut	4	
38	70520210031	lower handrail	1	
39	20240020000	fastener	2	
40	60060420000	Hexagon head bolts	2	
41	20040050830	triangle knob	2	
42	70230090000	Rope Guide	1	
43	60130020000	Cap nut	1	
44	70810100000	brake cable	1	
45	70780170000	selfpropelled cable	1	
46	70830070000	throttle cale	1	
47	70220020000	Quick Fix Handle	2	
48	70050180000	lock for fast fix handle	2	
49	20040140830	triangle knob	2	

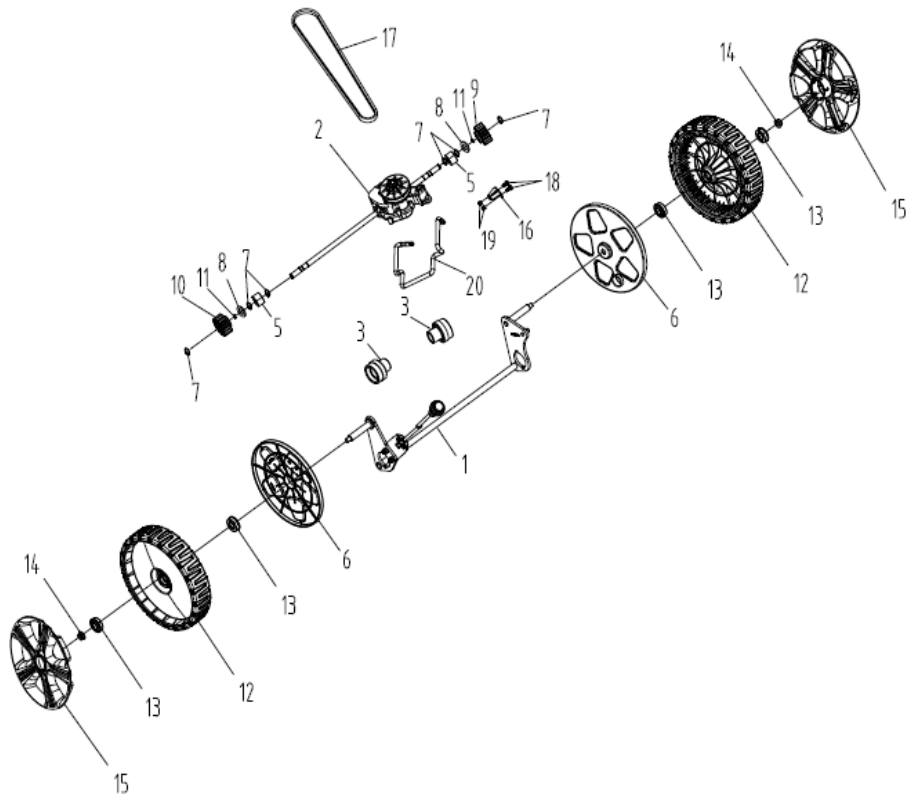


pozice	číslo	název	název	počet
1	70740920130	deck welding assy.	1	

2	60370020000	"O" ring	1	
3	20460010000	inlet	1	
4	20460030000	Pipe connector nut	1	
5	20590020000	cable stopper	1	
6	70070120000	left handle bracket	1	
7	70070060000	left handle bracket	1	
8	60060420000	Hexagon head bolts	4	
9	60150020000	Hex lock nut	4	
10	70250060000	height adjustment board	1	
11	70290200000	rear drive bracket	2	
12	60170400000	Hex tapping screws	6	
13	60410080000	Pull Spring for Pull Rod	1	
14	70180180830	Height Adjustment Pull Rod	1	
15	60300030000	R type pin	2	
16	60060520000	Bolt	2	
17	60150080000	Self-locking nut	2	
18	20160090000	mulching plug	1	
19	T545320	petrol engine	1	
20	70060060130	Bracket plate for defelctor	1	
21	20120010000	mulching board	1	
22	20110080000	side discharge cover	1	
23	70030070000	Mulch Shaft	1	
24	60390010000	mulch board spring	1	
25	60170290000	Phillips flat head self tapping screw	4	
26	60170300000	Phillips flat head self tapping screw	5	
27	20200240000	front mask	1	
28	20200250000	front mask	1	

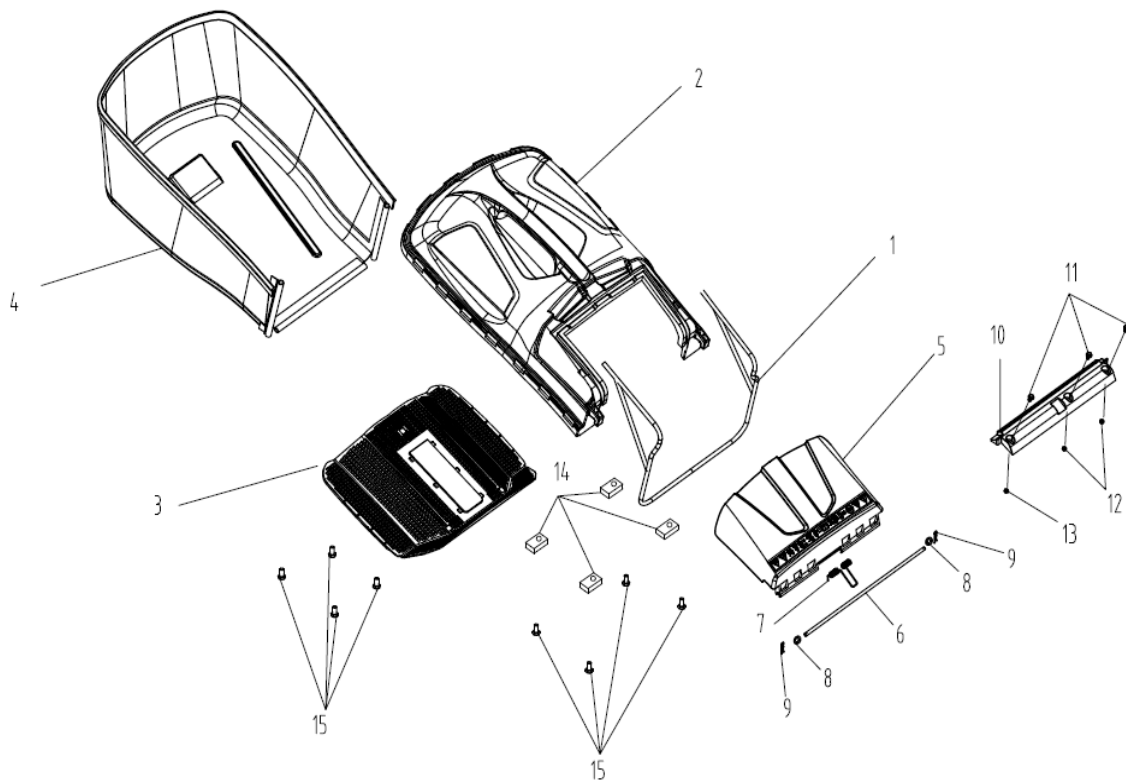


pozice	číslo	název	počet	
1	70840150000	front drive assy.	1	
2	20880300000	wheel assy.	2	
3		wheel punch bearing	4	
4	60150090000	Self-locking nut	2	
5	20620200830	outer cover of hub	2	
6	20610120000	inner cover of hub	2	
7	20140170000	front bracket fastener	2	
8	60180110000	resistant washer	2	
9	60190080000	flat washer	2	

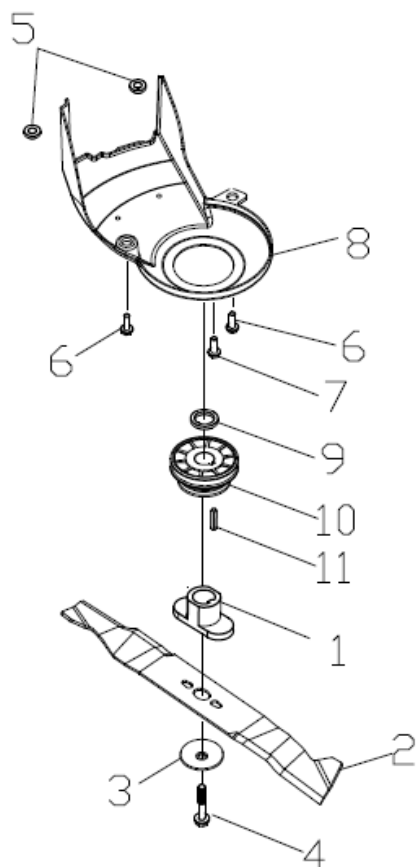


pozice	číslo	název	počet	
1	70850570000	rear drive assy.	1	
	20270010000	height adjustment ball	1	
2	70860450000	selfpropelled assy.	1	
3	20430030440	rear wheel axle sleeve	2	
4				
5	20430140000	rear wheel axle sleeve	2	
6	20610060000	inner cover of hub	2	
7	60240060000	spring washer	6	
8	21070030000	selfpropelled ratchet washer	2	
9	70300190000	Ratchet Wheel L	1	
10	70300200000	Ratchet Wheel R	1	
11	60290070000	bratchet pin	2	
12	20880330000	wheel assy.	2	
13		wheel punch bearing	4	
14	60150090000	Self-locking nut	2	
15	20620230830	outer cover of hub	2	
16	70290210000	self propelled plate	1	
17	60320090000	v belt	1	
18	60060290000	Hexagon head bolts	2	
19	60150060000	Self-locking nut	2	
20	70050230000	Brake spring	1	







bez č.










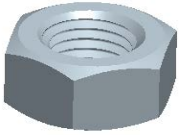


pozice	číslo	název	počet	
1	70010090000	fabric metal frame	1	
2	20080090000	top of grass box	1	
3	21010010830	filter net of grass bag	1	
4	20050080034	fabric grass bag	1	
5	20380090000	rear discharge cover	1	
6	70030050000	Shaft for rear discharge cover	1	
7	60380240000	cover spring	1	
8	60220010000	lock washer	2	
9	60300030000	R type pin	2	
10	20750090000	rear discharge cover dust proof board	1	
11	60060290000	Bolt	3	
12	60150060000	Self-locking nut	2	
13	60130010000	Cap nut	1	
14	70040100000	washer	4	
15	60170290000	Phillips flat head self tapping screw	8	
vez x	20050080034A	koš komplet	1	

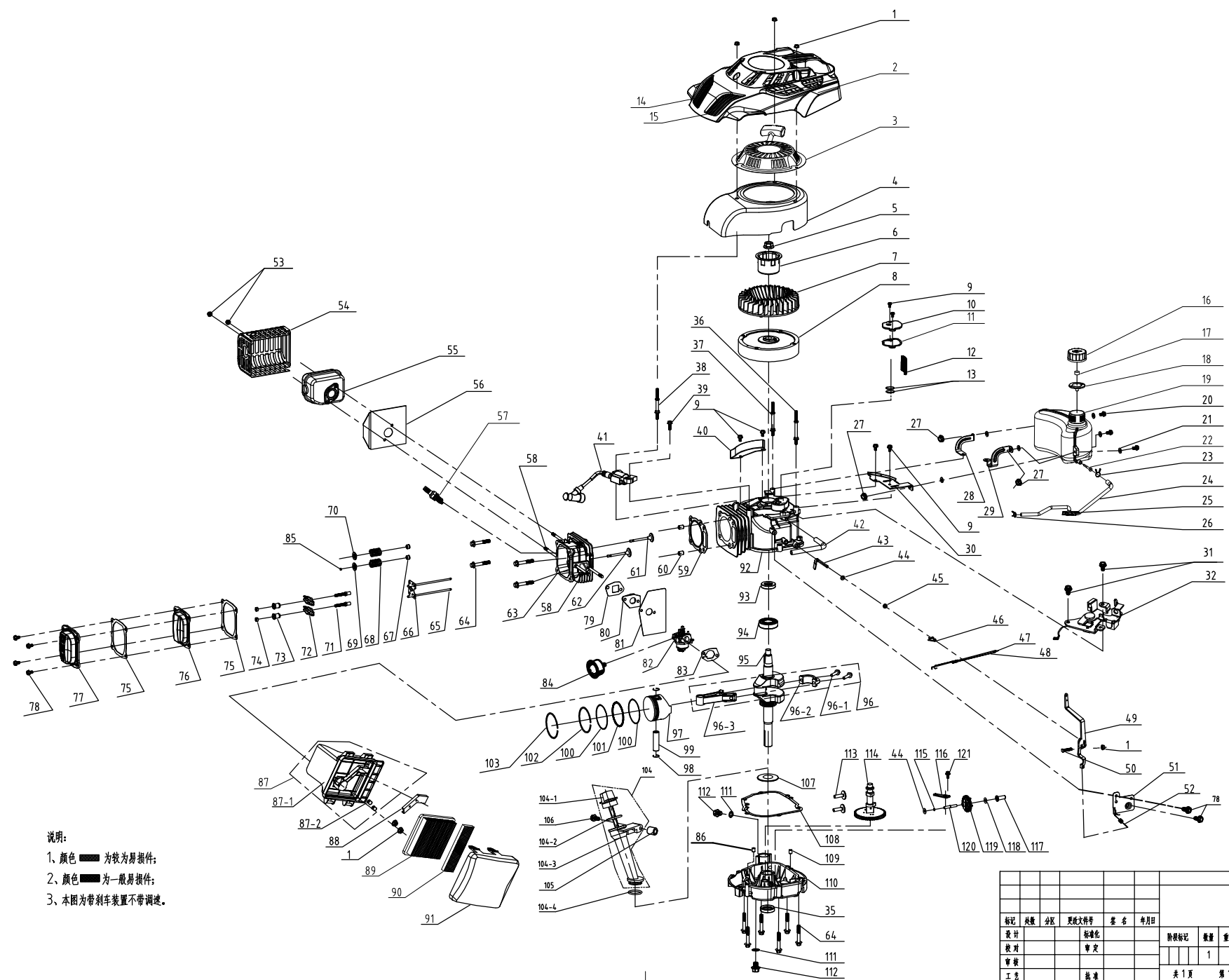


pozice	číslo	název	počet
1	70140480000	Blade Adapter	1
2	70130360000	blade	1
3	70040070000	blade washer	1
4	60100030000	Inch hex flange bolts	1
5	70150240000	Chassis bushing	2
6	60060180000	Hex flange bolts	2
7	60060390000	Hexagon head bolts	1
8	20660110000	belt cover	1
9	70040080000	blade washer	1
10	70580150000	Small Belt Wheel	1
11	70480010000	Long Key for Crankshaft	1

1	70140480000	Blade Adapter	
2	70130360000	blade	
3	20880330000	wheel assy.	
4	20620230830	outer cover of hub	
5	20880300000	wheel assy.	
6	20620200830	outer cover of hub	

7	20660110000	belt cover	
8	60320090000	v belt	
9	20580020830	quick fix knob	
10	60250080000	Pin	
11	70220020000	Quick Fix Handle	
12	60190140000	flat washer	

13	20040140830	lock nut	
14	60140080000	Hexagon nut	
15	20120010000	mulching board	
16	20110080000	side discharge cover	



说明:
 1、颜色 ■ 为较为易损件;
 2、颜色 ■ 为一般易损件;
 3、本图为带刹车装置不带调速。

编制/审核
 设计
 校核
 审核
 日期

						宁波市德霖机械有限公司			
						T575 400W 固定速度电机			
设计	数量	分区	更改文件号	姓名	年月日	审核	数量	重量	比例
校核							1		1:4
工艺						共 1 页	第 1 页	版本 A/1	

pozice	art.číslo	poč.	název
1	60140020000	3	Hex flange nuts
2			
3	75430110000	1	pull starter assy.
4	25010030000	1	Blower Housing
5	60140050000	1	Hex flange nuts
6	75210020000	1	starter hub
7	25040120000	1	fan
8	75390030000	1	flywheel assy
9	60060520000	6	Bolt
10	75110010000	1	Respirator Cover Plate
11	75720160000	1	Respirator head gasket
12	75150010000	1	oil filter net
13	75100030000	1	Respirator valve plate
14	25000020830	1	
15	25000030830	1	
16	25170050000	1	fuel tank cap
17	80010070000	1	fuel tank cap sponge
18	60440030000	1	Fuel Tank Cap seal gasket
19	25180130000	1	fuel tank body
20	60060560000	3	Bolt
21	25310010000	6	Cushion Blocking gasket
22	25150010000	1	
23	60230020000	1	fuel pipe lock clamp I
24	25160020000	1	fuel pipe
25	60450010000	1	clip
26	60230010000	1	fuel pipe lock clamp II
27	60150080000	3	Self-locking nut
28	75310030000	1	right bracket of fuel tank
29	75340030000	1	left bracket of fuel tank
30	75330030000	1	main bracket of fuel tank
31	60060540000	2	Bolt
32	75380080000	1	detent assy.
33			
34			
35	60360100000	1	oil seal

36	60080140000	1	Different-shaped double-head bolts III
37	60080160000	1	Different-shaped double-head bolts I
38	60080180000	1	Different-shaped double-head bolts II
39	60060590000	1	Bolt
40	75030020000	1	wind shield
41	75370020000	1	ignition assy.
42	25030020000	1	waste pipe
43	75290010000	1	rate-limiting rocker arm shaft
44	60200060000	2	Gasket
45	60360080000	1	oil seal
46	60300040000	1	R type pin
47	75160030000	1	Handspike of Valve
48	60410050000	1	valve spring
49	75070030000	1	throttle rocker arm
50	60060730000	1	bolt
51	75360010000	1	throttle assy.
52	60410500000	1	throttle control spring
53	60150100000	2	Self-locking nut
54	75530030000	1	muffler cover assy.
55	75540030000	1	muffler assy.
56	75740020000	1	Muffler insulating pad
57	75140010000	1	spark plug
58	60080030000	4	Dual-head bolts
59	75720110000	1	Cylinder head gasket
60	60280020000	2	spacing pin
61	75170020000	1	IntakeValve
62	75190020000	1	Exhaust Valve
63	75490030000	1	cylinder head assy.
64	60050050000	10	locking bolt
65	75350040000	2	push rod
66	75260020000	1	push rod director plate
67	60360130000	1	oil seal assy
68	60380090000	2	valve spring
69	75180020000	1	Spring Coil of Exhaust Valve
70	75180010000	1	Spring Coil of Intake Valve
71	60060760000	2	valve rocker arm support bolts

72	75230010000	2	Rocker of Valve
73	60160050000	2	Valve adjustment nut
74	60160030000	2	And nuts
75	75720270000	2	Cylinder head gasket
76	75080020000	1	cylinder head cover I
77	75080030000	1	cylinder head cover II
78	60060530000	5	Bolt
79	75730050000	1	Intake pipe paper pad I
80	25090020000	1	Air Inlet Pipe
81	75730060000	1	Intake pipe paper pad II
82	75410090000	2	carburetor assy.
83	75730100000	1	Steel Gasket
84	25210020130	1	prime button II
85	75200010000	1	Top Cover of Exhaust Valve
86	60280050000	1	spacing pin
87	25220010000	1	air filter base assy.(I)
88	25020010000	1	Exhaust Gas Cover Board
89	25300030000	1	Paper filter
90	25300010000	1	Coarse sponge filter
91	25120010000	1	Air Filter Upper Cover
92	75500020000	1	crankshaft box
93	60360120000	1	oil seal
94	60010140000	1	rolling bearing
95	75510630000	1	crankshaft assy.
96	75460030000	1	connecting rod assy.
97	75120040000	1	Piston
98	60240110000	2	washer
99	60310050000	1	piston pin
100	75090010000	2	Guide Rail
101	75000020000	1	Bushing Ring
102	75130040000	1	Piston Ring II
103	75130070000	1	Piston Ring I
104	25200050130	1	Lubricating Gauge Assy
105	25080020000	1	Distance Sleeve of Lubricating Setting
106	60060630000	1	Bolt
107	60200180000	1	clockwise gear gasket

108	75720250000	1	Joint box packing
109	60280030000	1	spacing pin
110	75240150000	1	Crank box cover
111	60200150000	2	Oil drain bolt gasket
112	60061020000	2	Oil drain bolt
113	75250020000	2	pin
114	75470030000	1	camshaft assy.
115		1	Gear Shaft circlip
116	75280010000	1	rate-limiting gear shaft
117	25070010000	1	Sliding Sleeve
118	60200490000	1	Gasket
119	75520020000	1	rete-limiting gear assy.
120	75270030000	1	rate-limiting gear shaft
121	60060510000	1	Bolt

bez o. 75510630000K

klínek setrvačniku