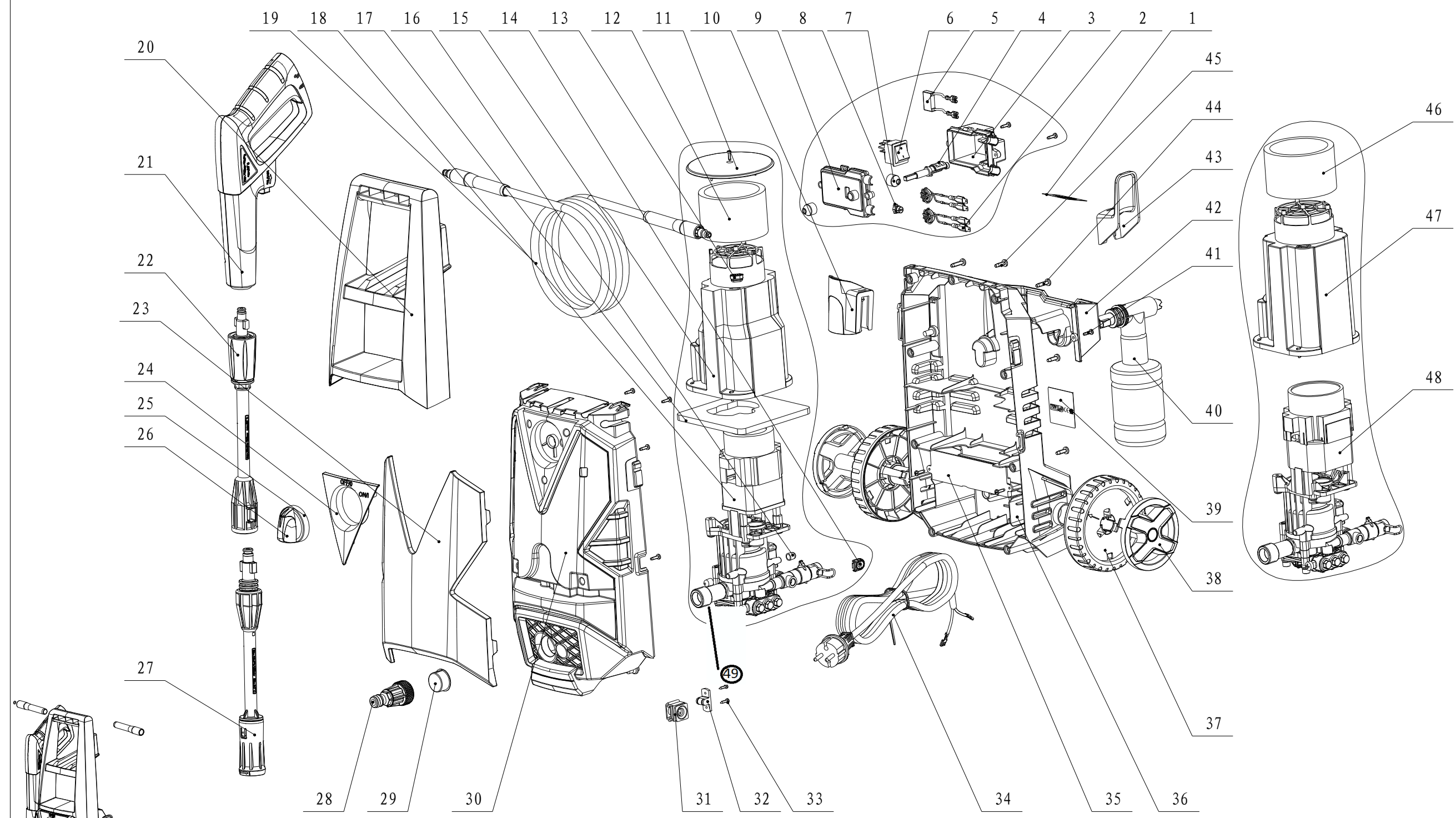


|   |          |  |  |
|---|----------|--|--|
|   | REPW 120 |  |  |
| A |          |  |  |



**REPW100-49 Turbo Lance** |



|  |  |  |  |     |            |            |  |
|--|--|--|--|-----|------------|------------|--|
|  |  |  |  |     | 2449.1g    | YLQ4660C-C |  |
|  |  |  |  |     | 1/2        | YLQ4660C-C |  |
|  |  |  |  | 1:5 | YLQ4660C-C | A          |  |

| No. | Drawing no. | English name                                 | Quantity |
|-----|-------------|--|----------|
| 1   | REPW120-1   | štítek (Waring label)                        | 1        |
| 2   | REPW120-2   | cívka (inductance)                           | 1        |
| 3   | REPW120-3   | skelet vypínače (switch box)                 | 1        |
| 4   | REPW120-4   | tyčka vypínače (driving lever)               | 1        |
| 5   | REPW120-5   | kondenzátor (capacitor)                      | 1        |
| 6   | REPW120-6   | vypínač (switch)                             | 1        |
| 7   | REPW120-7   | zátka (tarpaulin)                            | 2        |
| 8   | REPW120-8   | průchodka (water proof stopper)              | 1        |
| 9   | REPW120-9   | kryt vypínače (switch cover)                 | 1        |
| 10  | REPW120-10  | držák pistole (gun holder)                   | 1        |
| 11  | REPW120-11  | vrchní kryt vent. (fan cover)                | 1        |
| 12  | REPW120-12  | prachovka (fan cover strainer)               | 1        |
| 13  | REPW120-13  | průchodka (fan water proof)                  | 2        |
| 14  | REPW120-14  | tlačítko (button)                            | 1        |
| 15  | REPW120-15  | kryt ventilátoru (fan cover)                 | 1        |
| 16  | REPW120-16  | zátka (damping ring)                         | 2        |
| 17  | REPW120-17  | deska ventilátoru (fan cover front strainer) | 1        |
| 18  | REPW120-18  | motor + čerpadlo (motor pump)                | 1        |
| 19  | REPW120-19  | tlaková hadice (pressure hose)               | 1        |
| 20  | REPW120-20  | madlo (Long handle)                          | 1        |
| 21  | REPW120-21  | pistole (Gun)                                | 1        |
| 22  | REPW120-22  | bajonet (the joint lance)                    | 1        |
| 23  | REPW120-23  | maska (Front decorate board)                 | 1        |
| 24  | REPW120-24  | maska vypínače (Knob decorate board)         | 1        |
| 25  | REPW120-25  | tlačítko (knob)                              | 1        |
| 26  | REPW120-26  | kryt tlačítka (knob cover)                   | 1        |
| 27  | REPW120-27  | bajonet s tryskou (jet lance)                | 1        |
| 28  | REPW120-28  | redukce k hadici (water inlet connector)     | 1        |
| 29  | REPW120-29  | zátka (inlet tube cover)                     | 1        |
| 30  | REPW120-30  | přední kryt (front housing)                  | 1        |

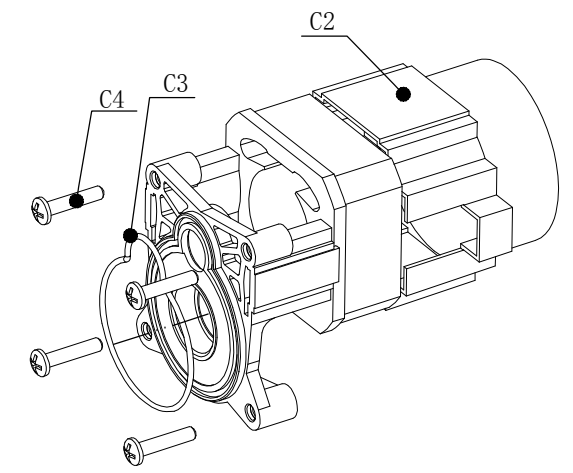
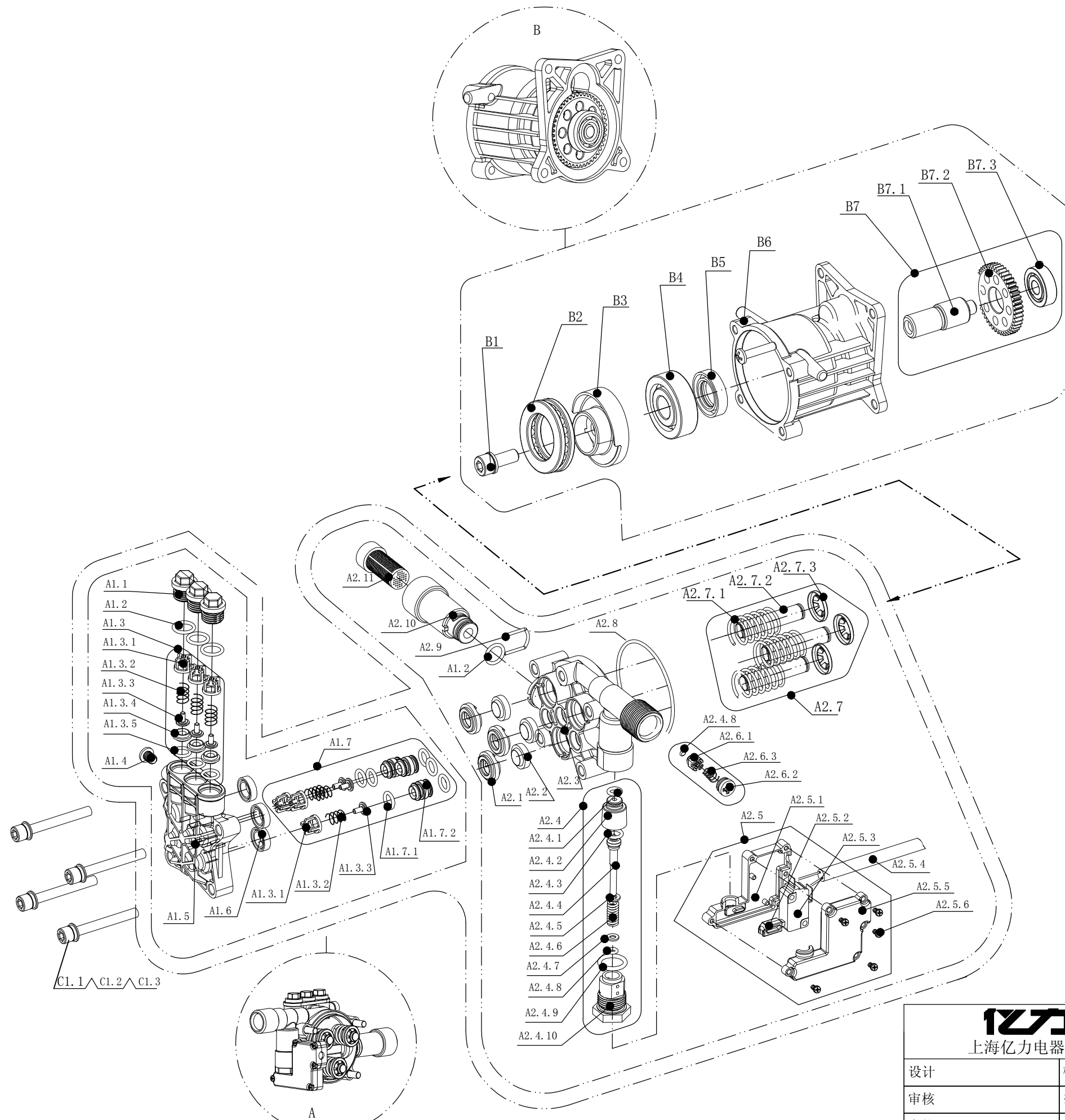
|    |            |  |    |
|----|------------|--|----|
| 31 | REPW120-31 | průchodka kabelu (cable sheath)          | 1  |
| 32 | REPW120-32 | úchyt kabelu (cable plate)               | 1  |
| 33 | REPW120-33 | šroub (Screw ST3*12)                     | 3  |
| 34 | REPW120-34 | kabel (cable)                            | 1  |
| 35 | REPW120-35 | tlumící deska (sealing block)            | 1  |
| 36 | REPW120-36 | zadní skelet (rear housing)              | 1  |
| 37 | REPW120-37 | kolečko (Wheel)                          | 2  |
| 38 | REPW120-38 | poklice kola (Wheel cover)               | 2  |
| 39 | REPW120-39 | štítek (rating label)                    | 1  |
| 40 | REPW120-40 | nádooba saponátu (soap bottle)           | 1  |
| 41 | REPW120-41 | šroub (Screw ST3.5*13F)                  | 11 |
| 42 | REPW120-42 | držák příslušenství (accessories holder) | 1  |
| 43 | REPW120-43 | háček na kabel (cable hook)              | 1  |
| 44 | REPW120-44 | šroub (Screw St4.8*20)                   | 7  |
| 45 | REPW120-45 | šroub (Screw 4.8*16)                     | 2  |
| 46 | REPW120-46 | prachovka volitelná (fan cover strainer) | 1  |
| 47 | REPW120-47 | kryt volitelný (fan cover)               | 1  |
| 48 | REPW120-48 | motor volitelný komplet (motor)          | 1  |
| 49 | REPW100-49 | turbo bajonet                            |    |
| 50 | REPW100-50 | sací tuba                                |    |

Optional

Optional

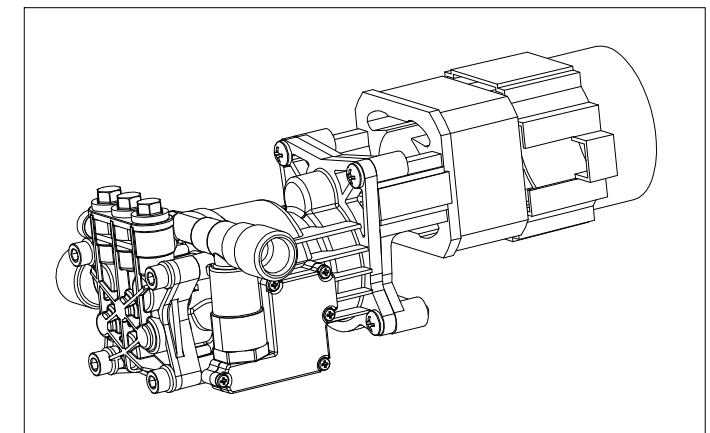
Optional

| 版本 | 修订内容            | 技改单号 | 修改 |
|----|-----------------|------|----|
| C  | 系统调整 (增加多个KIT). |      |    |



Parts information here are subject to change without notice, pls refer to order BOM for spare parts information .

注：本爆炸图为“电机泵总成”的爆炸图，为了便于模块化管理，电机泵总成的爆炸图不包含减振圈、出线圈、风罩（风罩可能包含安装其中开关、开关旋钮等）等零件，上述零件会在“机芯爆炸图”中体现。



|   |     |      |                     |      |
|---|-----|------|---------------------|------|
| <br>上海亿力电器有限公司 |     | 材料   | 中文名称                |      |
|   |     | 重量   | YLHC80/88-P11电机泵爆炸图 |      |
| 设计  | 标准化 | 阶段标记 | 英文名称                |      |
| 审核  | 批准  | 页码   | 图号                  |      |
| 会签  | 日期  | 比例   | YLHC80/88-P11-EX    | 版本 C |

| <b>číslo</b> | <b>englisch</b>      | <b>název</b>           |
|--------------|----------------------|------------------------|
| REPW100-A1.1 | valve nut            | zátko                  |
| REPW100-A1.2 | O-ring               | o-kroužek              |
| REPW100-A1.3 | oulet valve assemble | ventil (1kus)          |
| REPW100-A1.6 | Y-seal               | gufero                 |
| REPW100-A1.7 | Inlet valve kit      | ventil pístu (1kus)    |
| REPW100-A2.1 | seal bracket         | sedlo                  |
| REPW100-A2.2 | piston oil seal      | gufero pístku          |
| REPW100-A2.4 | bypass valve kit     | tlakový spínač         |
| REPW100-A2.5 | micro-switch kit     | tlakový spínač elektro |
| REPW100-A2.7 | piston kit           | píst                   |
| REPW100-C3   | peach-shape ring     | těsnění                |
| REPW100-B7   | gear                 | převod                 |