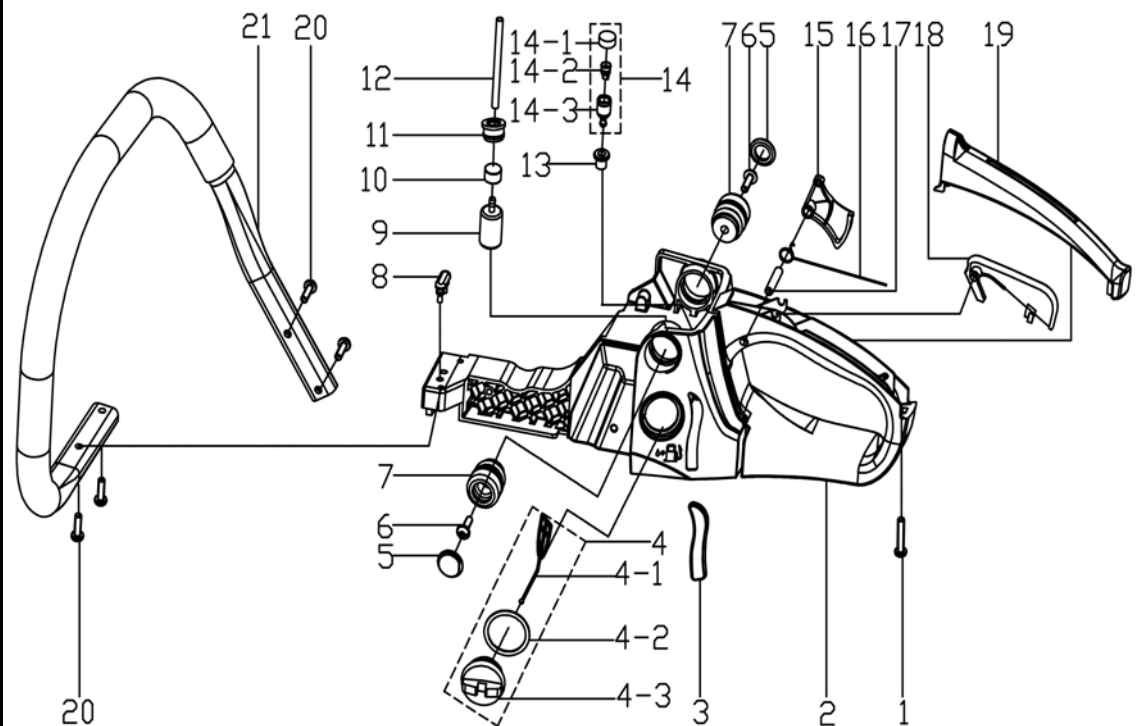


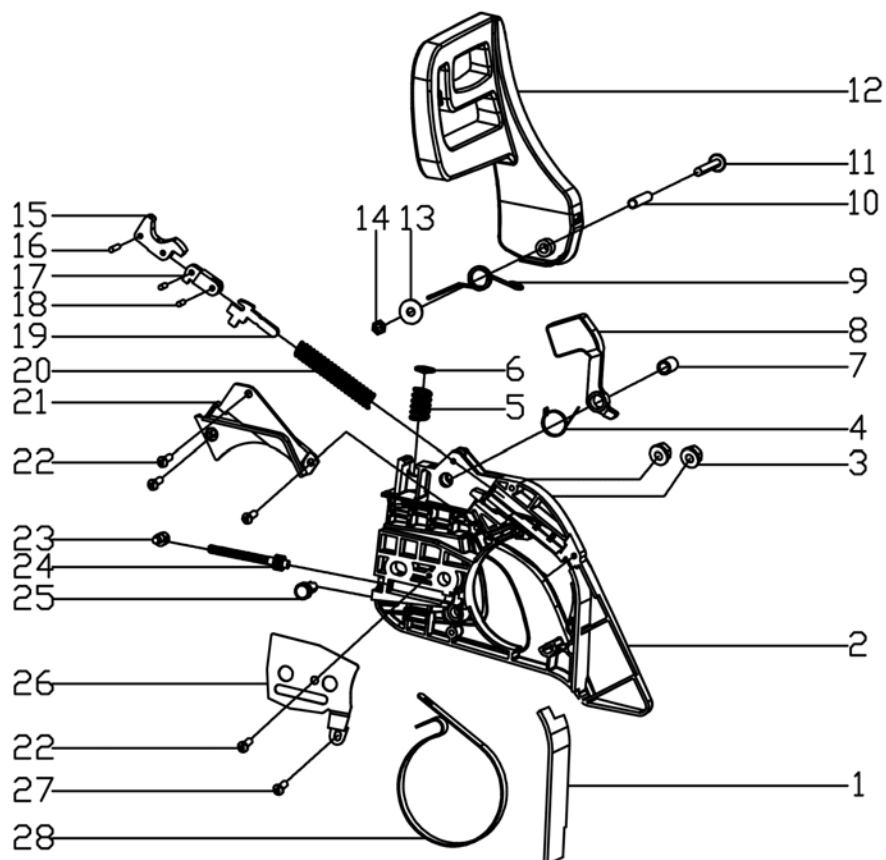
## RPCS4540 (model. číslo PC42A1401042B)

### A. Fuel tank assembly, handle



A1	3060313050	šroub	screw ST4.2	1
A2	3011005900	nádrž paliva	oil tank	1
A3				1
A4		uzávěr nádrže paliva	fuel tank as	1
A4-1	3011102070	nelze objednat !	falling-prod	1
A4-2	3020102500	nelze objednat !	O ring	1
A4-3	3011502320	nelze objednat !	cover of fue	1
A5	3010403100	kryt	dust-proof	2
A6		šroub M5x16	screw M5*	2
A7	3020804020	slentblok	long shock	2
A8	3020803010	silentblok	oil-tank shd	1
A9	3050602930	filtr paliva	fuel filter	1
A10	3331300050	podložka	Plate	1
A11	3020800530	průchodka	Fuel pipe p	1
A12	3020700050	vedení paliva	Fuel pipe	1
A13	3020802510	průchodka	Balancer pl	1
A14	3050106500	ventil	Balancer	1
A14-1		nelze objednat !		1
A14-2		nelze objednat !		1
A14-3		nelze objednat !		1
A15	3011108150	tlačítko plynu	trigger	1
A16	3330501220	pružina	spring for t	1

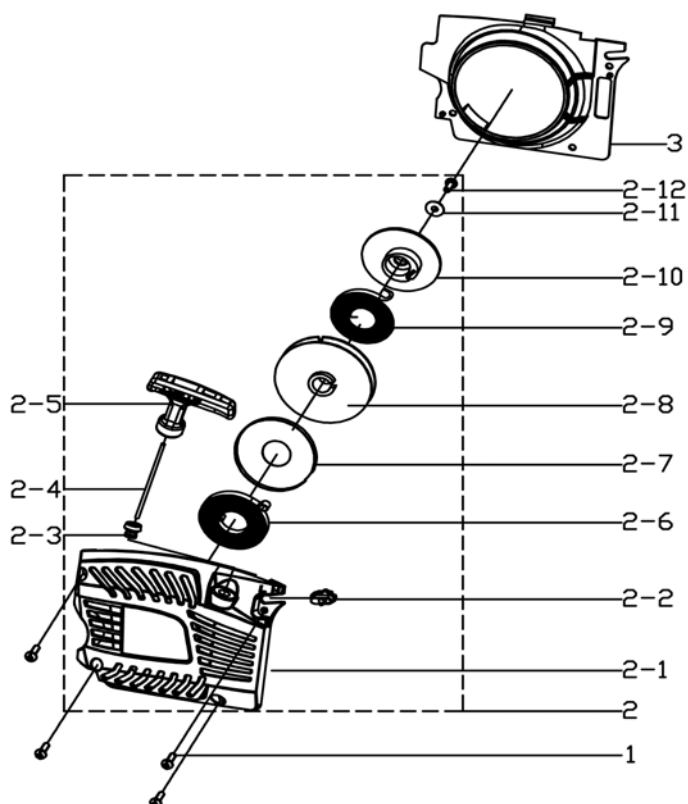
A17	3060100150	čep 6x24	bolt 6*24	1
A18	3011133640	pojistka	trigger cont	1
A19	3010412540	kryt rukojeti	handle cov	1
A20	3060313220	šroub ST4,8x16	screw ST4.8	4
A21	3231007200	rukojeť	handle	1



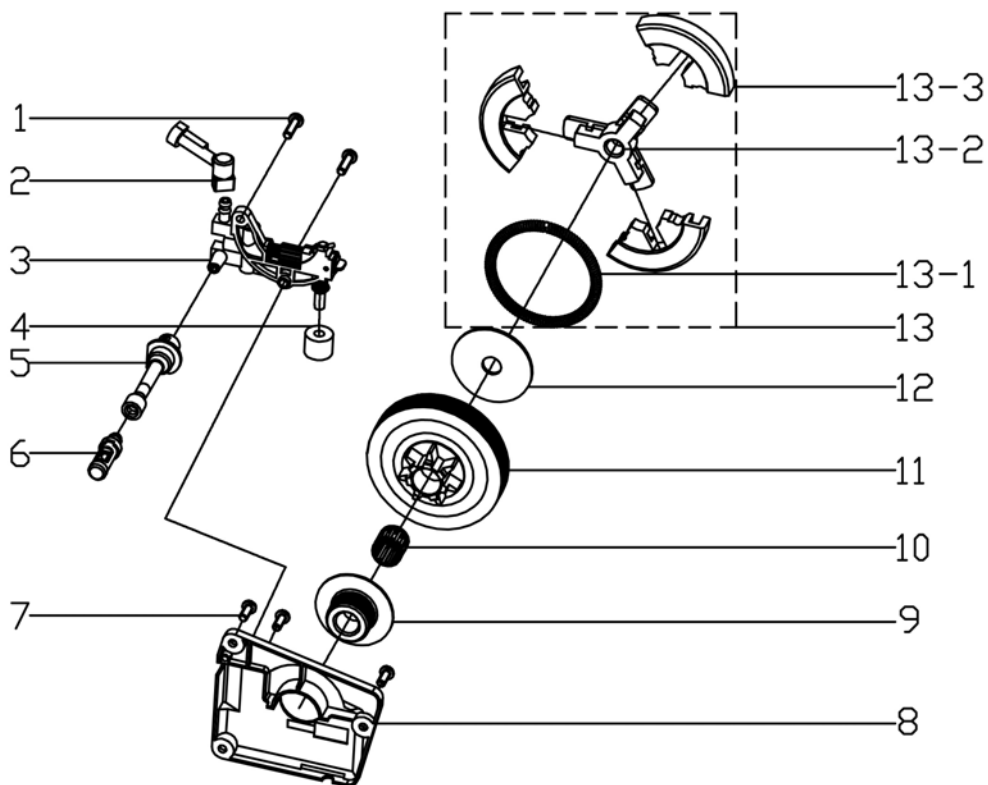
			Parts in English	
B1	3020501500	deska	Dust-pr	1
B2	3010131500	kryt lišty řetězu	right bo	1
B3	3060403010	matice M8	nut M8	2
B4	3330501210	pružina	Wieght	1
B5	3330503700	pružina	spring o	1
B6	3330903500	kryt pružiny	spring p	1
B7	3330403500	vložka	Wieght	1
B8	3010706810	pojistka	Weight	1
B9		pružina	spring o	1
B10	3330403900	čep	bolt	1
B11	3331502810	šroub M5x40	screw M	1
B12	3011143510	páka brzdy řetězu	front bo	1
B13		podložka 5x16x1	washer	1
B14	3060402020	matice M5	Nut M5	1
B15	3010501010	segment brzdy	main ar	1
B16	3060100040	čep 3x14	bolt 3*1	2
B17	3010500510	spojka	standby	1
B18	3060100030	čep 3x9	bolt 3*9	1
B19	3330402550	segment brzdy	brake ar	1
B20	3330500110	pružina	Brake sp	1
B21	3011142100	kryt	brake sp	1
B22	3060313010	šroub ST4.2x10	screw ST	4

B23	3331300840	napínák	Tension	1
B24	3331505570	šroub M5x50	screw m	1
B25	3330801050	čep napínáku	tension	1
B26	3331400520	deska lišty vnější	tension	1
B27	3060313230	šroub ST4.2x8	screw S	1
B28	3330701540	pružinová brzda	brake b	1

## C.Starter assembly

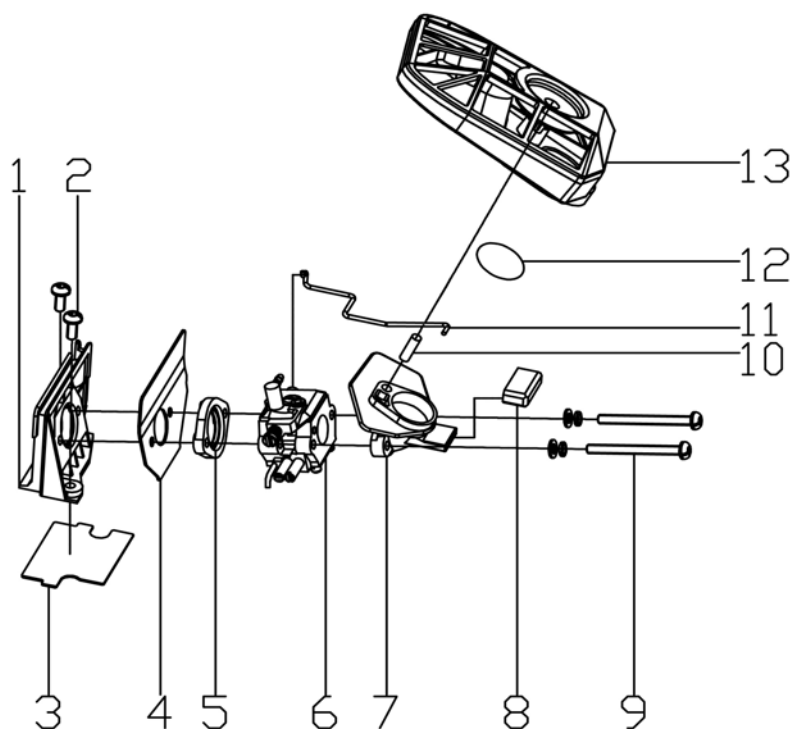


C1		šroub M5x16	screw M5*	4
C2	3012ST1524	startér kompletní	easy-starter	1
C2-1	3010109700	nelze objednat !	starter bod	1
C2-2	3020902500	nelze objednat !		1
C2-3		nelze objednat !		1
C2-4	3051200070	nelze objednat !	rope	1
C2-5	3010802920	nelze objednat !	starter han	1
C2-6	3330700180	nelze objednat !	main recoil	1
C2-7		nelze objednat !	spring plate	1
C2-8	3011602120	nelze objednat !	starter reel	1
C2-9	3330700190	nelze objednat !	standby rec	1
C2-10	3011600260	nelze objednat !	starter whe	1
C2-11	3060500070	nelze objednat !	washer $\varnothing$ 5	1
C2-12	3060313080	nelze objednat !	screw ST4.8	1
C3	3010410170	kryt startéru	fan cover	1



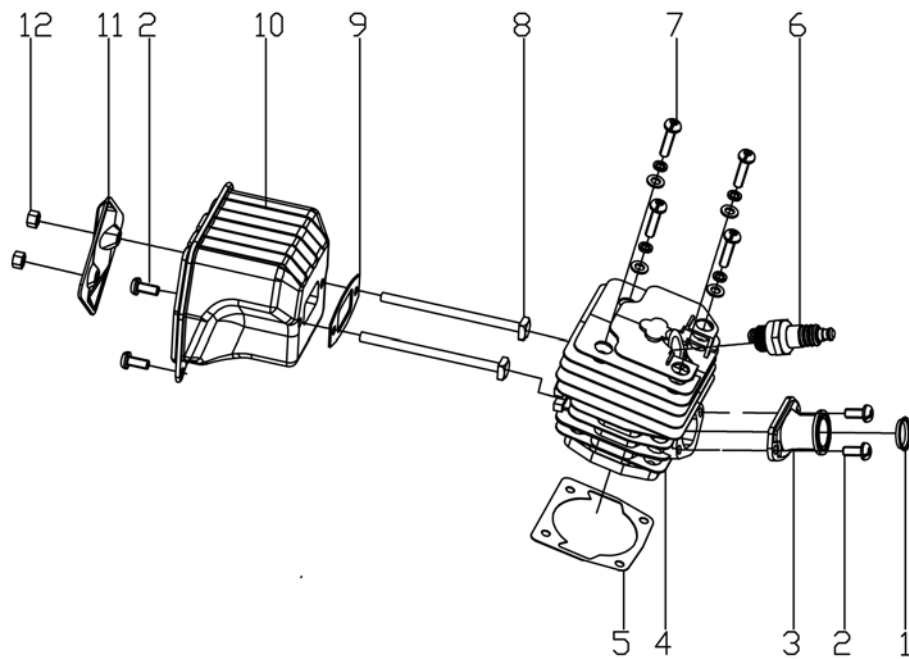
D1	3060311020	šroub M4x14	screw M4*14	2
D2	3021000520	přepad oleje	oil pipe out	1
D3	3050108060	čerpadlo oleje	oil pump	1
D4	3051900800	vložka	sponge filter	1
D5	3020700530	vedení oleje	oil pipe	1
D6	3050601520	filtr oleje	oil filter	1
D7	3060311010	šroub M4x10	screw M4*10	3
D8	3011139400	kryt čerpadla oleje	cover of oil p	1
D9	3011601040	unašeč čerpadla oleje	worm	1
D10	3060701440	ložisko jehlové 12x15x14,5	needle bearing	1
D11	3331000610	řetězka	clutch drum	1
D12	3331800070	podložka	clutch washer	1
D13	3050101630	odstř. spojka kompl.	clutch assem	1
D13-1		nelze objednat !		1
D13-2		nelze objednat !		1
D13-3		nelze objednat !		3

## E.Carburetor,air filter assembly



E1	3010704830	sací deska	Air in-take bracket	1
E2	3060311040	šroub M5x12	screw M5*12	2
E3	3040101510	deska	cushion plate	1
E4	3040204530	deska	seal plate for air in-take bracker	1
E5	3010701300	příruba karburátoru	air in-take flange	1
E6	3051803010	karburátor	carburetor	1
E7	3010703920	příruba filtru vzduchu	air-in plate	1
E8		nelze objednat	cushion for air-in plate	1
E9	3060310030	šroub M5x52	screw M5*52	2
E10	3060316000	vložka		1
E11	3330401150	táhlo plynu	throttle rod	1
E12	3020102090	o-kroužek	O ring for air-filter	1
E13	3050600210	filtr vzduchu	air filter	1

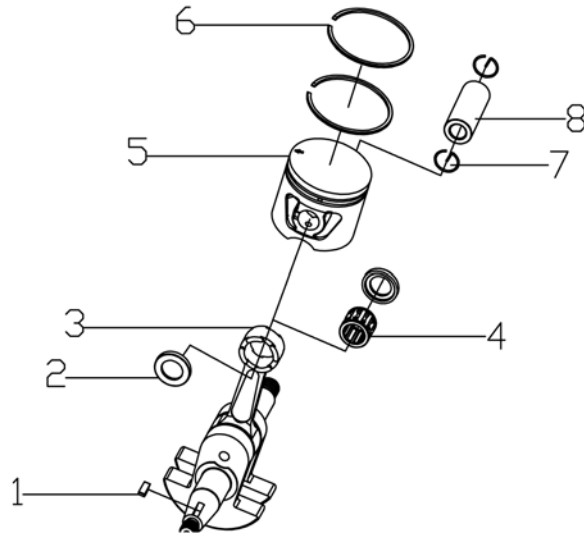
## F.Cylinder,muffler



F1	3331100220	Maintainance ring	1
F2	3060311040	screw M5*12	4
F3	3020806020	ainr-in pipe	1
F4	3230101800	cylinder	1
F5	3040200620	seal cushion on cylinder	1
F6	3050105020	spark plug	1
F7	3060305210	screws M5*20	4
F8	3331500080	bolt for muffler	2
F9	3040201080	seal cushion for muffler	1
F10	3332600040	muffler assembly	1
F11	3332205040		1
F12	3060402050	nut M5	2

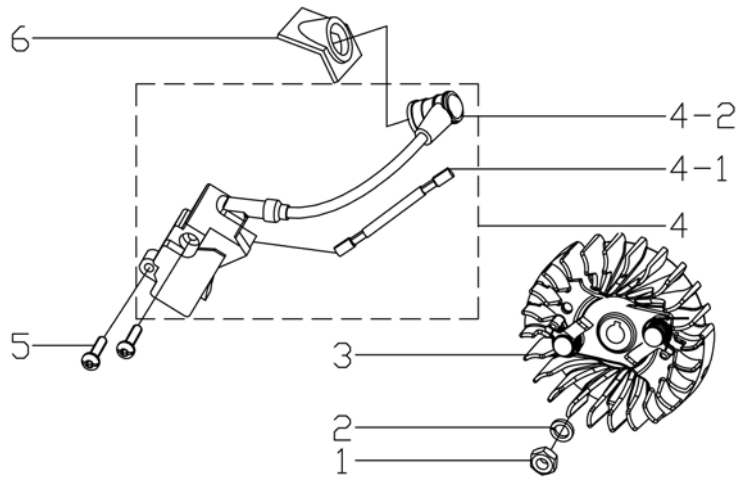


# G.Crank shaft ,piston assembly



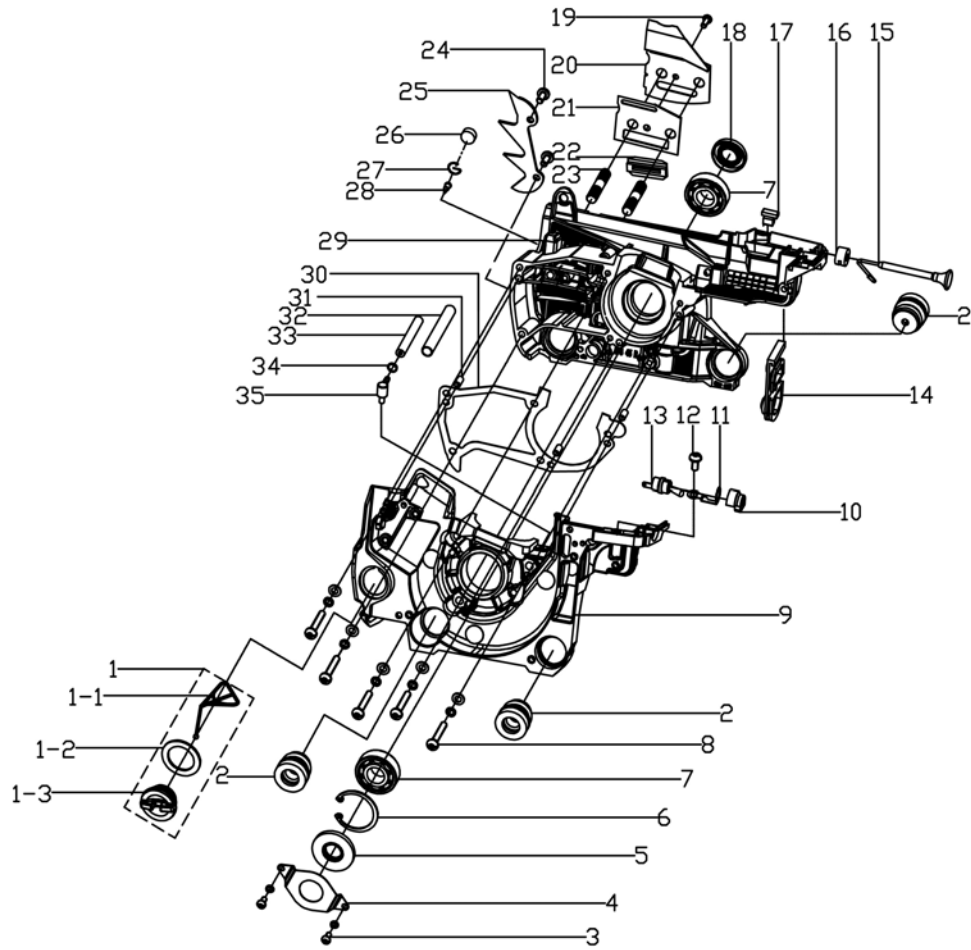
G1	3060900060	woodruff key	1		
G2	3332200040	needle bearing flange	2		
G3	3332400950	crankshaft assembly	1		
G4	3060701430	needle bearing 11*15*12.5	1		
G5	3231500300	piston	1		
G6	3331701150	piston ring	2		
G7	3330600640	piston retainer	2		
G8	3330302240	piston pin	1		

# H.Flywheel, Ignition



H1	3060402040	Nut M8	1		
H2	3060502040	Spring washer 8	1		
H3	3231600150	flywheel assembly	1		
H4	3030100670	Ignition apparatus	1		
H4-1			1		
H4-2			1		
H5	3060307110	bolt M5*20	2		
H6	3020902200	Ignition apparatus cover	1		

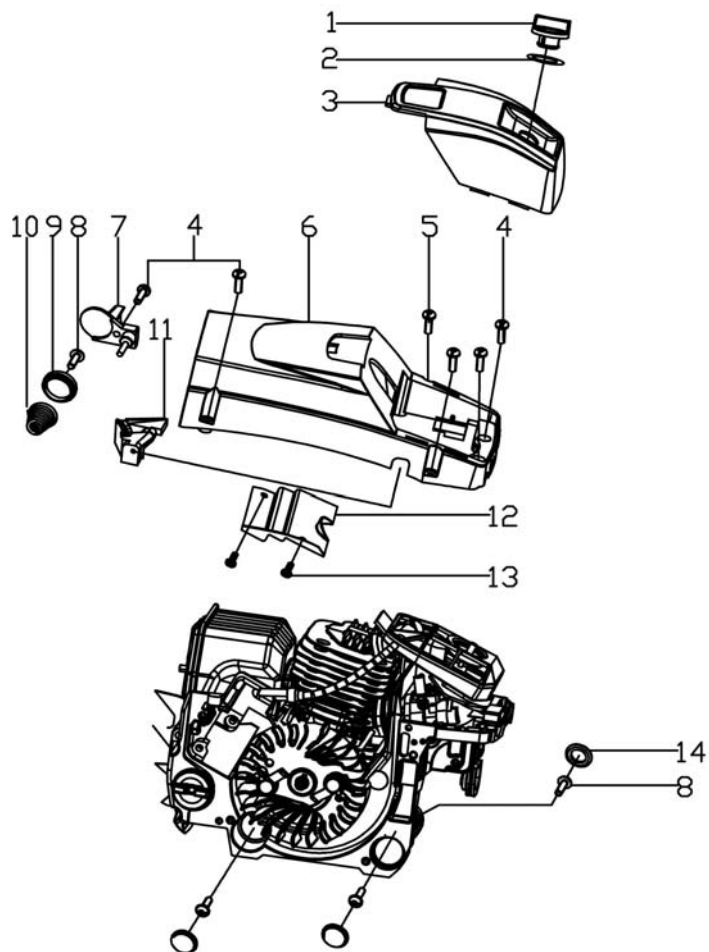
# J.Crank case assembly



J1		oil tank assembly	1		
J1-1	3011102070	falling-proof plate	1		
J1-2	3020102010	O ring	1		
J1-3	3011501500	cover of oil tank	1		
J2	3020803510	short shock absorber	3		
J3	3060313230	screw M4*8	2		
J4	3331404010	oil-seal plate	1		
J5	3060800100	oil seal 15*35*5	1		
J6	3060600060	snap ring 35	1		
J7	3060700310	ball bearing 6202	2		
J8	3060310010	screw M5*30	5		
J9	3230305001	left crankcase	1		
J10	3020805200	flameout switch base	1		
J11	3331100600	plate	1		
J12	3060311030	screw M5*10	1		
J13	3030600120	flameout switch	1		
J14	3020501010	dust-proof plate	1		
J15	3010500020	throttle rod	1		
J16	3020801810	throttle rod plate	1		
J17	3020802810	shock absorber	1		
J18	3060800080	oil seal 15*28*5	1		

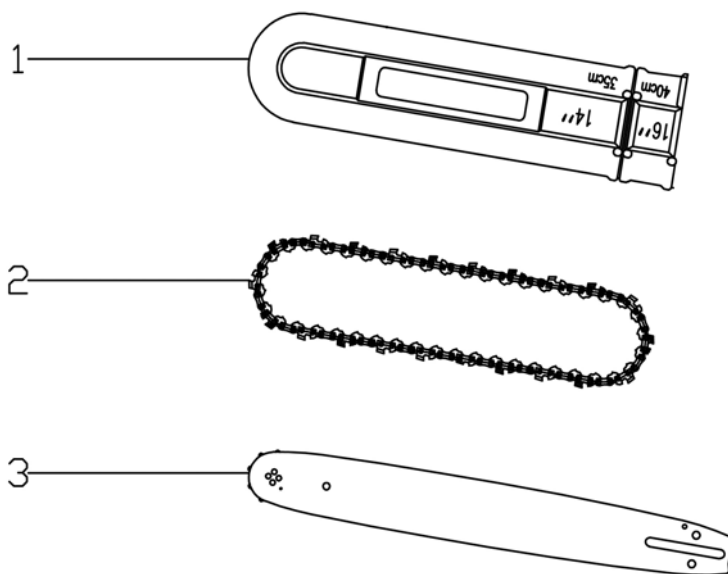
J19		screw ST4.2*8	1		
J20	3332201040	plate	1		
J21	3040204910	plate washer	1		
J22	3010704600	chain guide	1		
J23	3060316030	bolt	2		
J24	3060311040	screw M5*12	2		
J25	3332205520	spiked bumper	1		
J26	3051900500	sponge filter	1		
J27	3330600070	air-in spring	1		
J28	3021000040	air-in	1		
J29	3230315001	right crankcase	1		
J30	3060100110	bolt 5*10	3		
J31	3040200230	crankcase seal washer	1		
J32	3020702500	vacuum pipe	1		
J33	3330600060	vacuum pipe clip	1		
J34	3010600400	vacuum pipe-throat	1		

## K.Top cover,air filter cover



K1	3010303700	nut for air fliter	1		
K2	3020101800	nut washer	1		
K3	3010411330	cover for air filter	1		
K4	3060311060	nut M5*16	5		
K5	3060311050	nut M5*14	1		
K6	3010132560	top cover	1		
K7	3010704520	chain guide	1		
K8	3060313220	screw ST4.8*16	4		
K9	3010704700	Cone spring base	1		
K10	3330500150	Cone spring base	1		
K11	3020901500	idle speed adjuster	1		
K12	3231200100	fan cover	1		
K13	3060313230	screw ST4.2*8	2		
K14	3010403100	dust-proof cover	3		

# L.Chain,guide bar



L1	3010414640	bezp. kryt lišty	guide bar sleeve	1		
L2	3332700010	řetěz	guide bar	1		
L3	3332800350	vodící lišta	oregon18" 3/8chain	1		