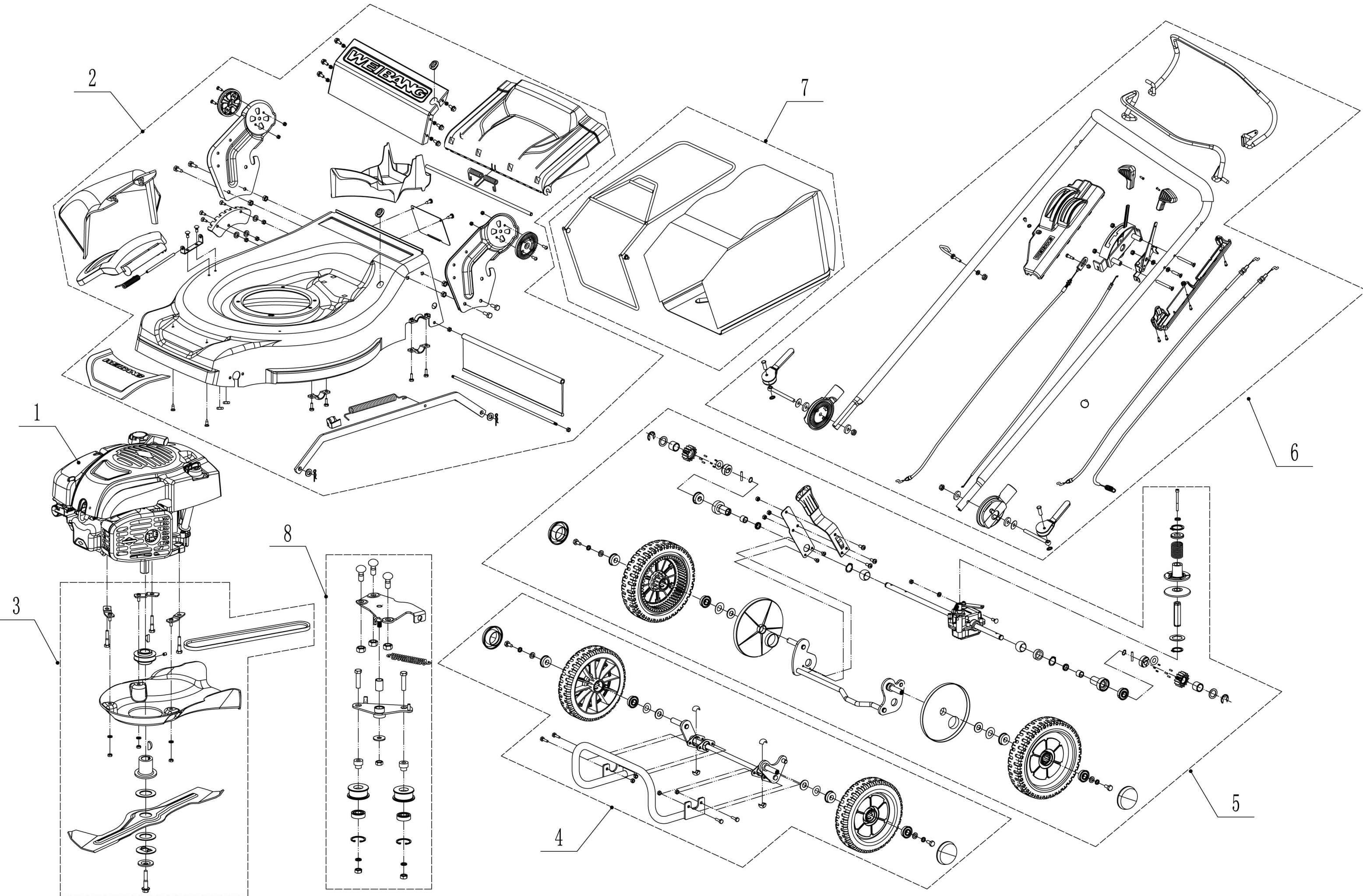
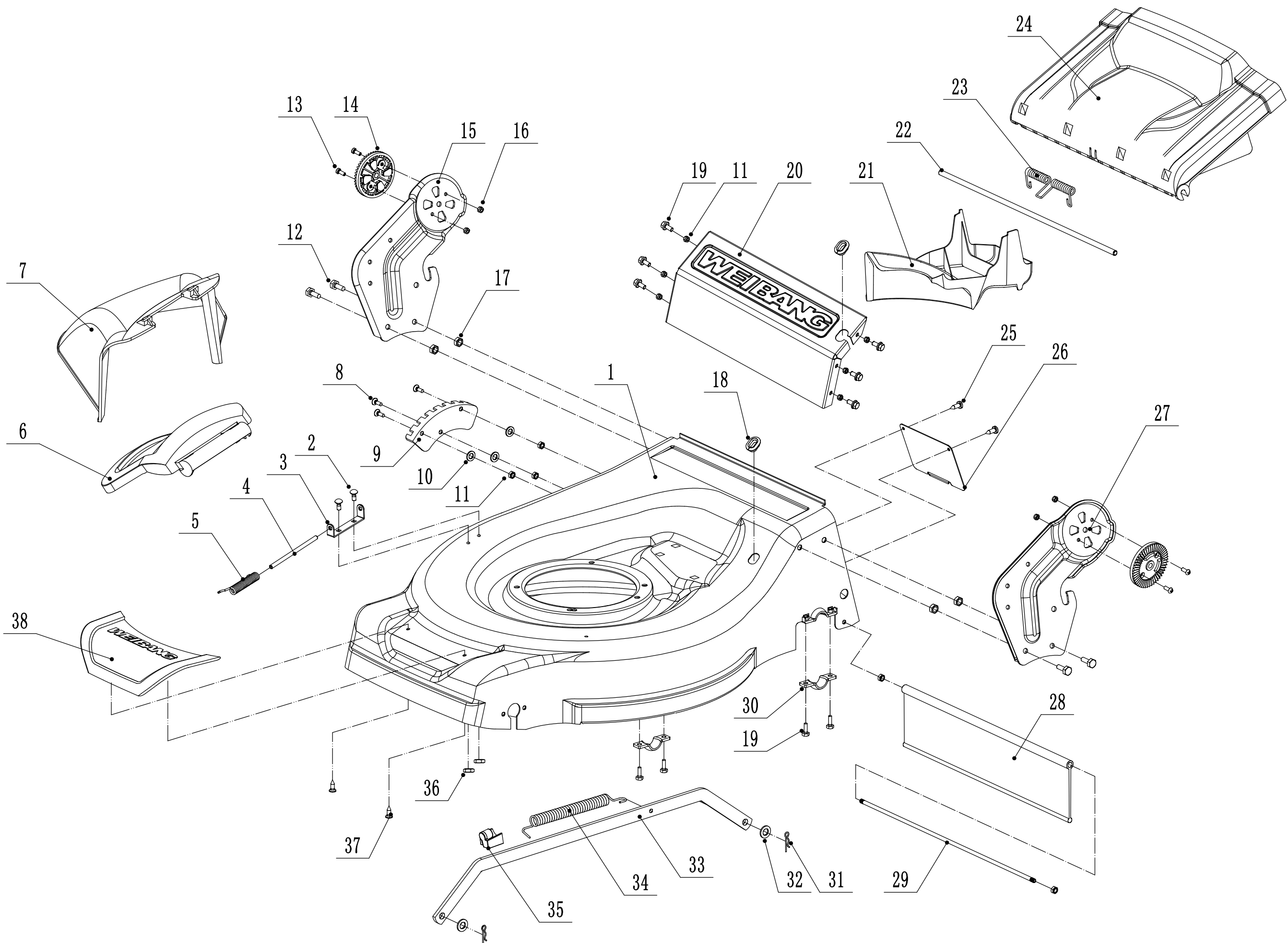


WB 537 SLCV 6in1

2017



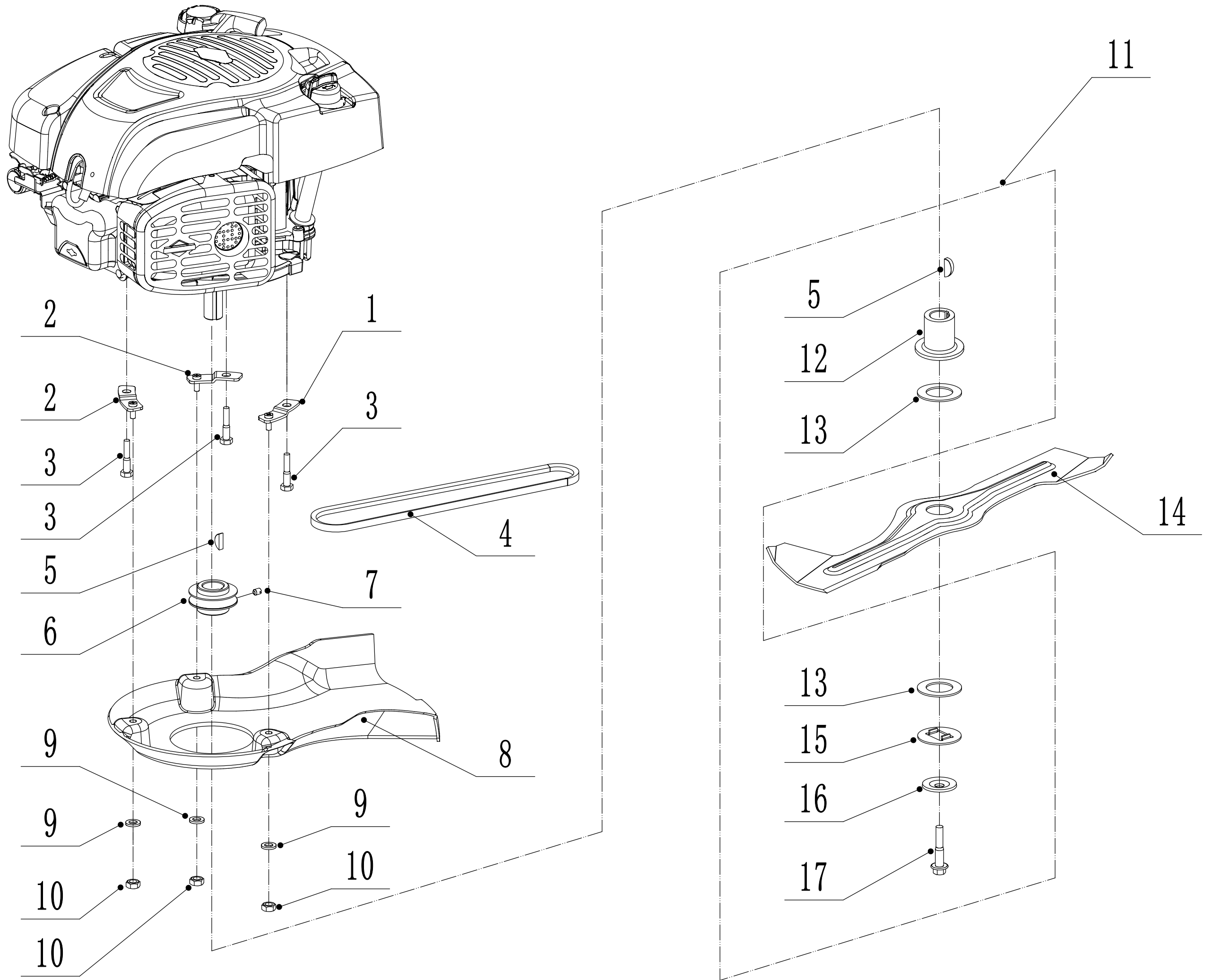
2 WB537SLC V-3IN1 Main Body



Part 2 - Main Body

No.	ID Zboží	Název
1	5360101010J/44	Deck Shell
2	0107006014	square neck bolt
3	5020118010/02	side discharge cover bracket
4	5020120010/02	side discharge cover spring
5	5020119010	side discharge cover pivot
6	5360119010J	cover
7	5360120010J	side discharge deflector
8	0104006016	screw-M6X16
9	5360123010/01	graduator
10	0301006000	Plain Washer - M6
11	0202006000	Lock Nut - M6
12	0102008016	bolt-M8×16
13	0104005012	screw-M5×12
14	AVSA000000040/22	tooth disc
15	5360125010K/44	right bracket
16	0202005000	lock nut- M5
17	0202008000	lock nut- M8
18	5360122010C	rubber ring
19	0102006012	bolt- M6×12
20	5360124030/44	connector
21	5360115010	mulching plug
22	5360117010/02	Rod - Grass Bag Flap
23	5360118010	Spring - Grass Bag Flap
24	5360116010	Grass Bag Flap
25	0106004009	Screw - ST4.2X9.5
26	5360105010D/44	shield
27	5360124010K/44	left bracket
28	5360127010	rear pivot
29	5360126010/02	rear deflector
30	5320114020/01	upper bearing bracket
31	5320333010	spring clip
32	0301010000	Plain Washer - M10
33	5360308010/44	connector rod
34	5320332010/01	connecting rod spring
35	4560109012	spring bracket
36	0204006000	lock nut-M6
37	0106004013	Screw - ST4.2X13
38	5360114010	front mask

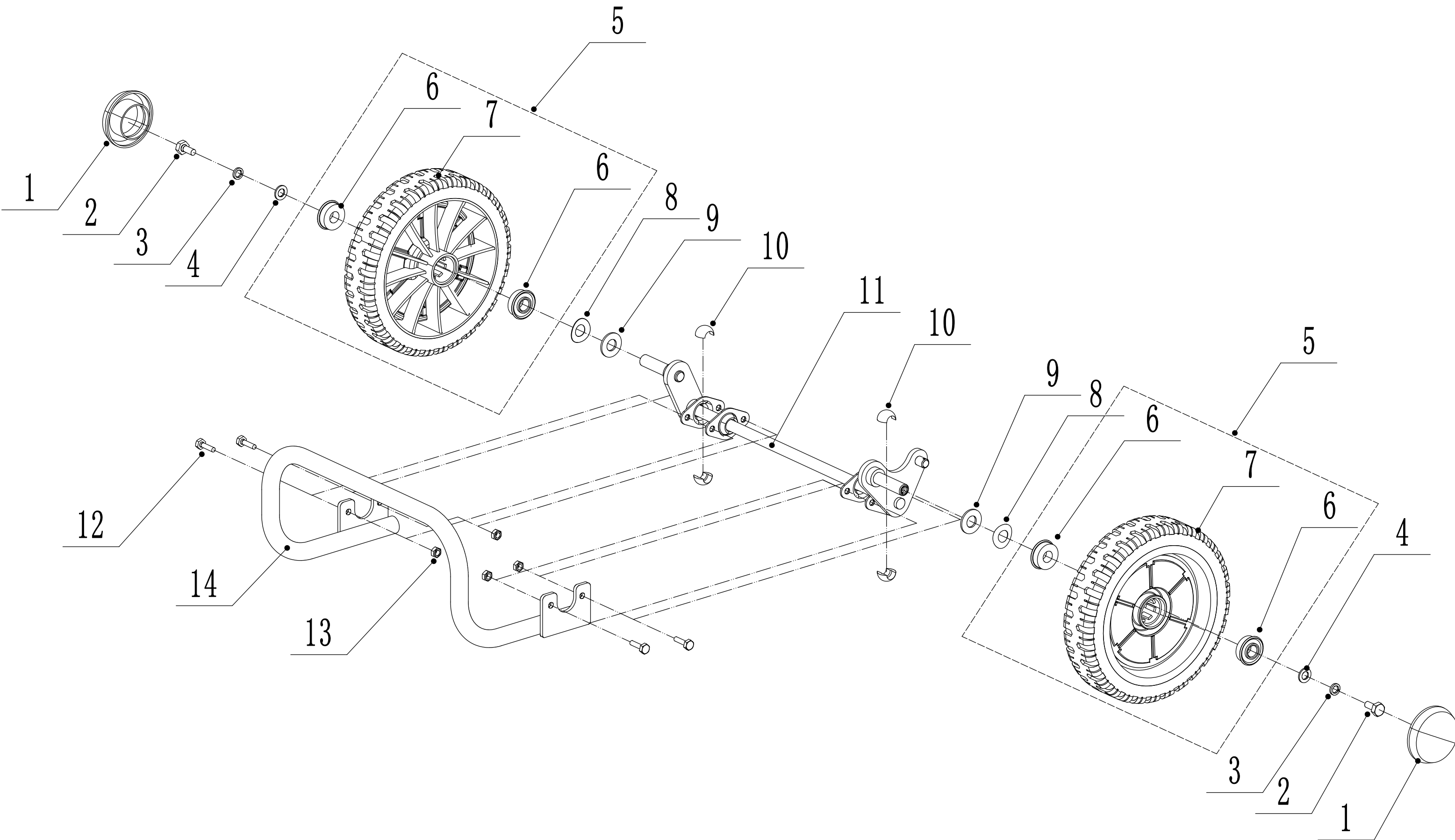
3 WB537SLC V-3IN1 Blade System



Part 3 - Blade Systém

No.	ID Zboží	Název
1	5360111010/02	engine washer 1
2	5360112010/02	engine washer 2
3	5320115010	screw-3/8X16X25
4	5620133010S	Belt - V10X835
5	5310401010	key
6	4560402040/02	Engine Pulley
7	0105006006	screw-M6x6
8	5360113010	belt shield
9	0302006000	Plain Washer - M6
10	0202006000	Lock Nut - M6
11		
12	5320404020/02	adapter
13	5310402010	Friction Disc
14	5020405010A/35	blade
15	5310404010/02	Locking Disc
16	5310406010/04	spring washer
17	5320405510	Blade Bolt - 3/8X24X55

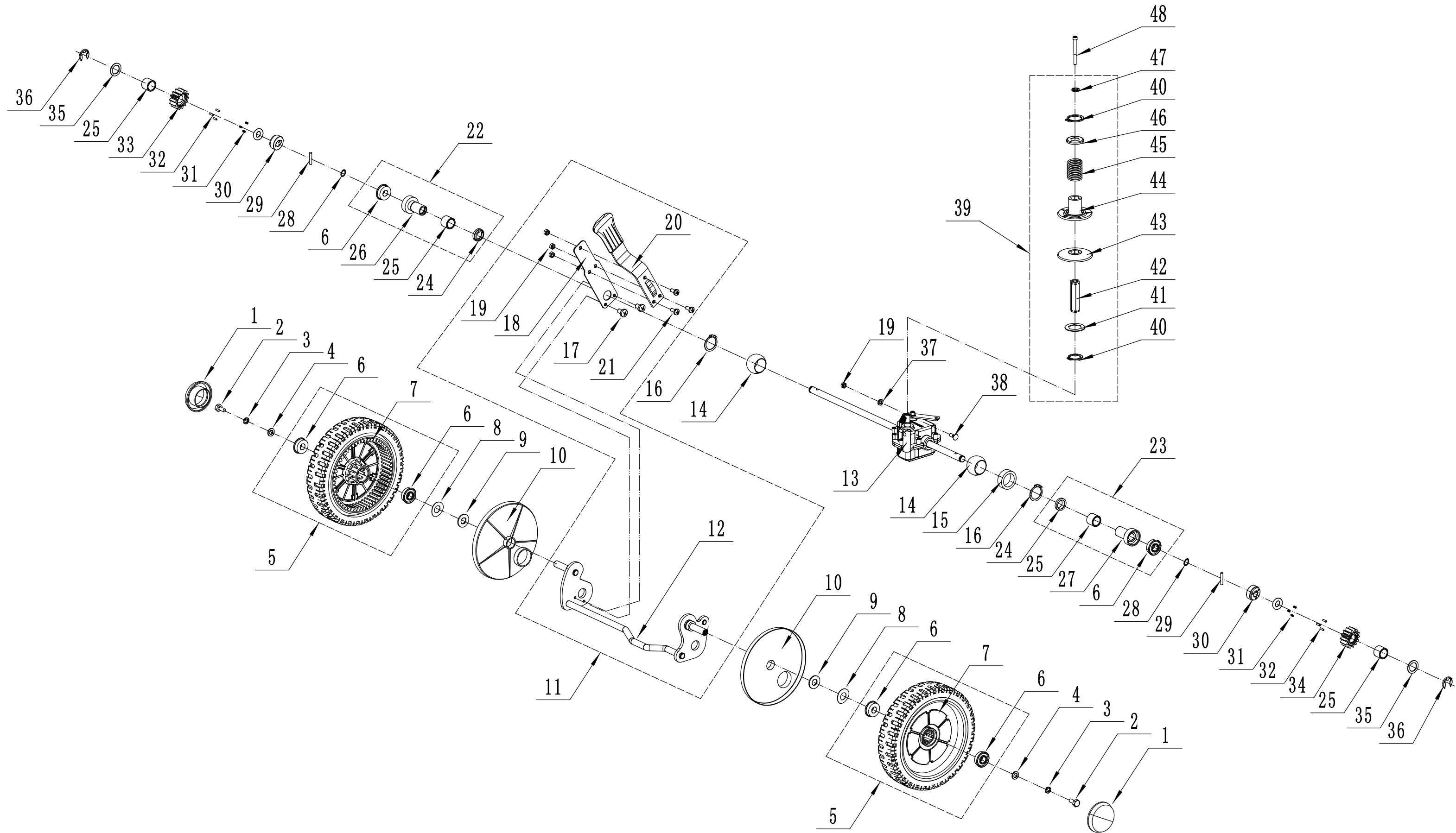
4 WB537SLC V-3IN1 Front axle



Part 4 - front axle

No.	ID Zboží	Název
1	5310214010	Wheel Cap
2	0101008015	bolt-M8×15
3	0401008000	Spring Washer - M8
4	0301006000	Washer - M6
5	5340206010	Wheel - 8"
6	5310213010	WEIBANG bearing
7		
8	5310211010/02	spring washer
9	5310210010/02	Plain Washer
10	5310209010	Axle Bearing - Half
11	5360201010/01	front shaft weldment
12	0102006016	Bolt - M6X16
13	0202006000	Lock Nut - M6
14	5360121010/40	bumper

5 WB537SLC V-3IN1 Rear axle

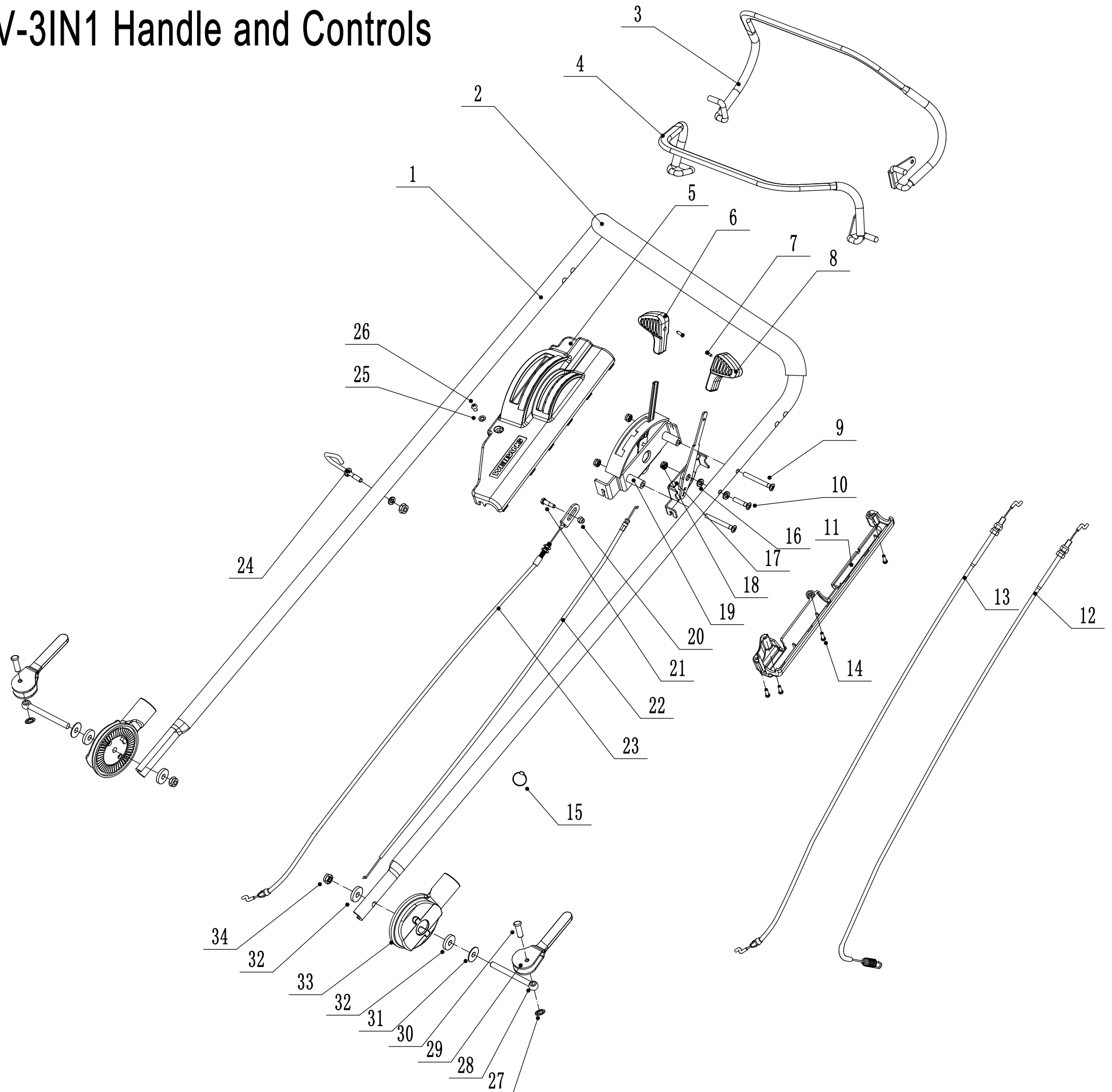


Part 5 - rear axle

No.	ID Zboží	Název
1	5310214010	Wheel Cap
2	0101008015	bolt-M8×15
3	0401008000	spring washer
4	0301006000	Plain Washer - M6
5	5340309010	Rear Wheel - 9"
6	5310213010	bearing
7		
8	5310211010/02	spring washer
9	5310210010/02	washer
10	5340312010	rear wheel shield
11		
12	5360301010/01	Rear Axle Frame
13	Y20536V0P	rear transmission assembly
14	5320328010	nylon spherical surface bearing
15	4520313010/02	rear transmission spacer
16	1001020000	Circlip - M20
17	0104005008	Screw - M5X8
18	5360311010/22	spring of adjustment lever
19	0202006000	Lock Nut - M6
20	5360310010/40	adjustment lever
21	0104006014	Screw - M6X14
22	Y065321	left bearing sheath assembly
23	Y065320	right bearing sheath assembly
24	5320327010	Dust Seal
25	5320326010P	bearing
26		
27		
28	1001012000	Circlip - M12
29	HQ000100060	Check holder
30	HQ000100050	Block - Drive Pinion
31	HQ000100040	Spring - Drive Pinion
32	HQ000100030	Pin - Drive Pinion
33	HQ000100020	Drive Pinion - R/H
34	HQ000100010	Drive Pinion - L/H
35	5020311010/04	washer
36	1301009000	E-Clip - M9
37	0301006000	Plain Washer - M6
38	0107006014	bolt-M6×14
39	Y115380	Variable Speed Pulley Assembly
40	1001017000	Circlip - M17
41	4820320010/02	Spacer
42	4820321010/02	Sleeve

43	5380309010	Pulley Disc - Lower
44	5380308010	Pulley Disc - Upper
45	4820324010	spring
46	4820325010/02	Circlip
47	0401005000	spring washer-M5
48	0103005055	Cap Screw - M5X55
49	1401025015	O-Ring

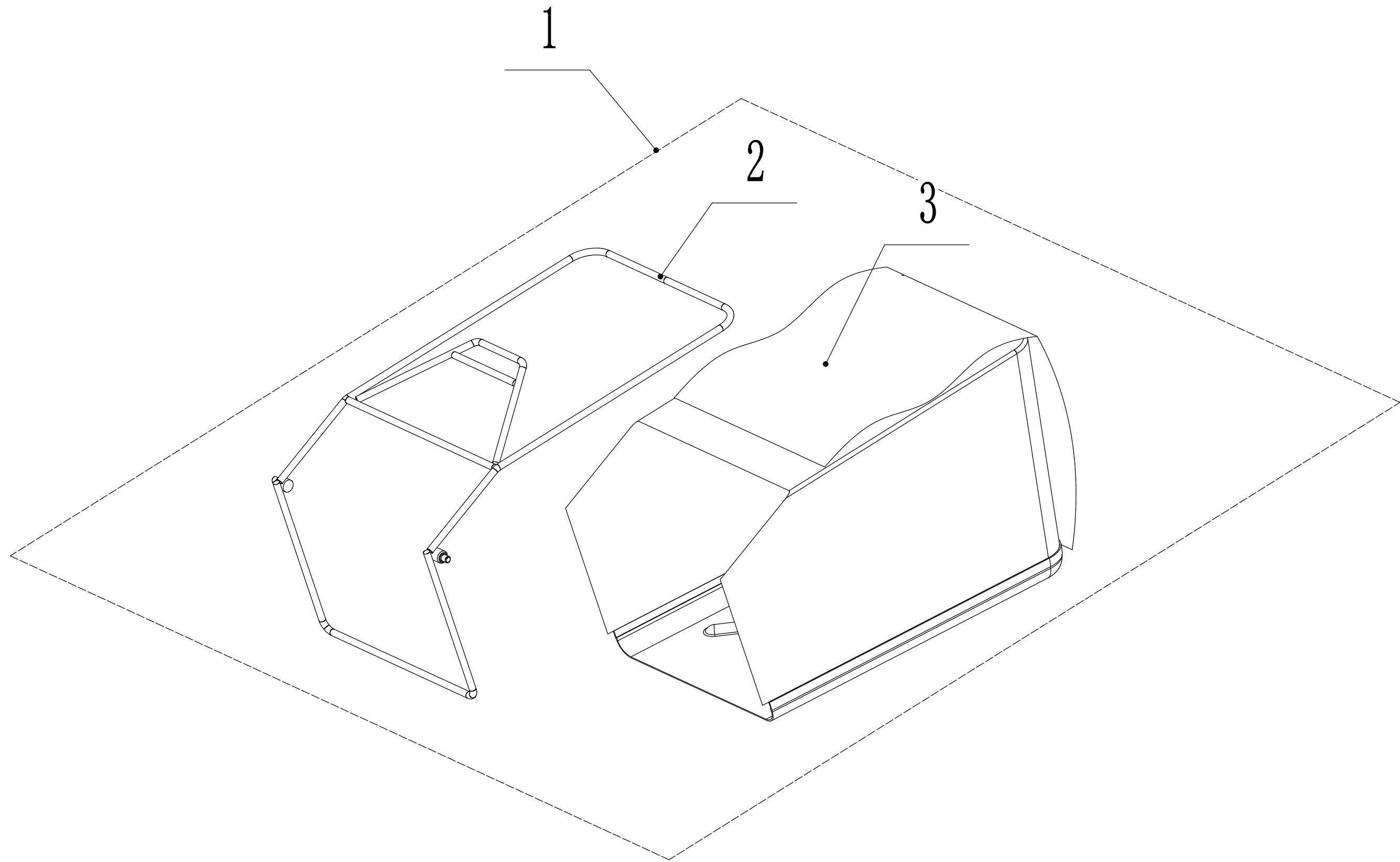
6 WB537SLC V-3IN1 Handle and Controls



Part 6 - Handle and Controls

No.	ID Zboží	Název
1	GM53C01000001B/44	Upper Handle
2	GM56E010000080	Handle Grip
3	5320511030S/44	Clutch Lever
4	5320503020S/44	OPC Lever
5	5020501030S	Control Cover - Upper
6	5380508010	Grip - Speed Lever
7	0106003013	Screw - ST2.9X13
8	5380510010	Grip - Throttle Lever
9	0108006060	Screw - M6X60
10	0108006050	Screw - M6X50
11	5020501040S	Control Cover - Lower
12	LH186-1225	Clutch Cable
13	BS120-1180	OPC Cable (Engine Brake)
14	0113040018	Screw
15	ZD3/190	Cable Tie - 3X190
16	0301006000	Washer - M6
17	5380512010	Throttle Control Bracket
18	0202006000	lock nut-M6
19	5020501050S	Speed Control Bracket
20	0202005000	lock nut-M5
21	5360506011	Speed Control Cable bolt
22	YM72-1115-A	Throttle Cable
23	TX123-1060-A	Speed Control Cable
24	4510511010/01	Hook - Starter Rope
25	0301005000	Washer - M5
26	0104005008	Screw - M5X8
27	4510114030	Grip Fix
28	GM48S000000100/02	Bolt
29	GM56A100400000	Lever
30	0801008022	Pin - 8X22
31	GM56A100000040/04	spacer
32	GM56A100000050/01	spacer
33	GM48S030200000	Height Adjuster Segment
34	0201008000DD	Lock Nut - M8

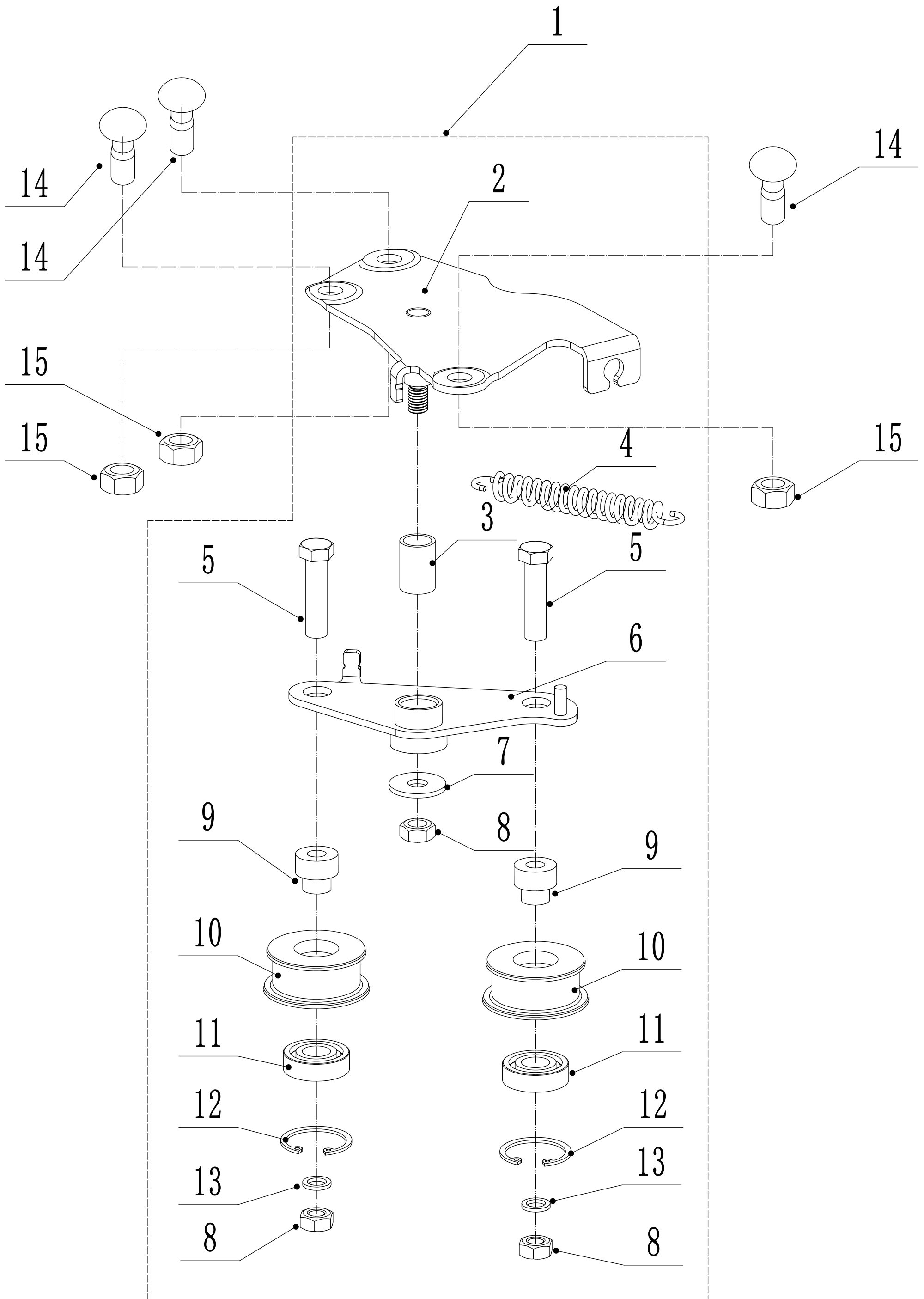
7 WB537SLC V-3IN1 Grasscatcher



Part 7 - grasscatcher

No.	ID Zboží	Název
1	5360602010T/22	Grass Bag Frame
2	5360603010T/81	Grass Bag

8 WB537SLC V-3IN1 Variable Speed Pulley



Part 8 - Variable Speed Pulley

No.	ID Zboží	Název
1	Y095360	Belt Tensioner Assembly
2	5360129010/02	tensional arm bracket
3	4820112010	nylon bush
4	4820114010	spring
5	4820120010	tensional pulley bolt
6	5360130010/02	tensional arm weldment
7	0302008000	Washer - M8
8	0202008000	Lock Nut - M8
9	5360131020/02	tensional pulley spacer
10	4820119010	tensional pulley
11	6001/2RZ	bearing
12	0901028000	Internal Circlip - M28
13	0301008000	Plain Washer - M6
14	0107010025	bolt-M10X25
15	0202010000	lock nut-M10