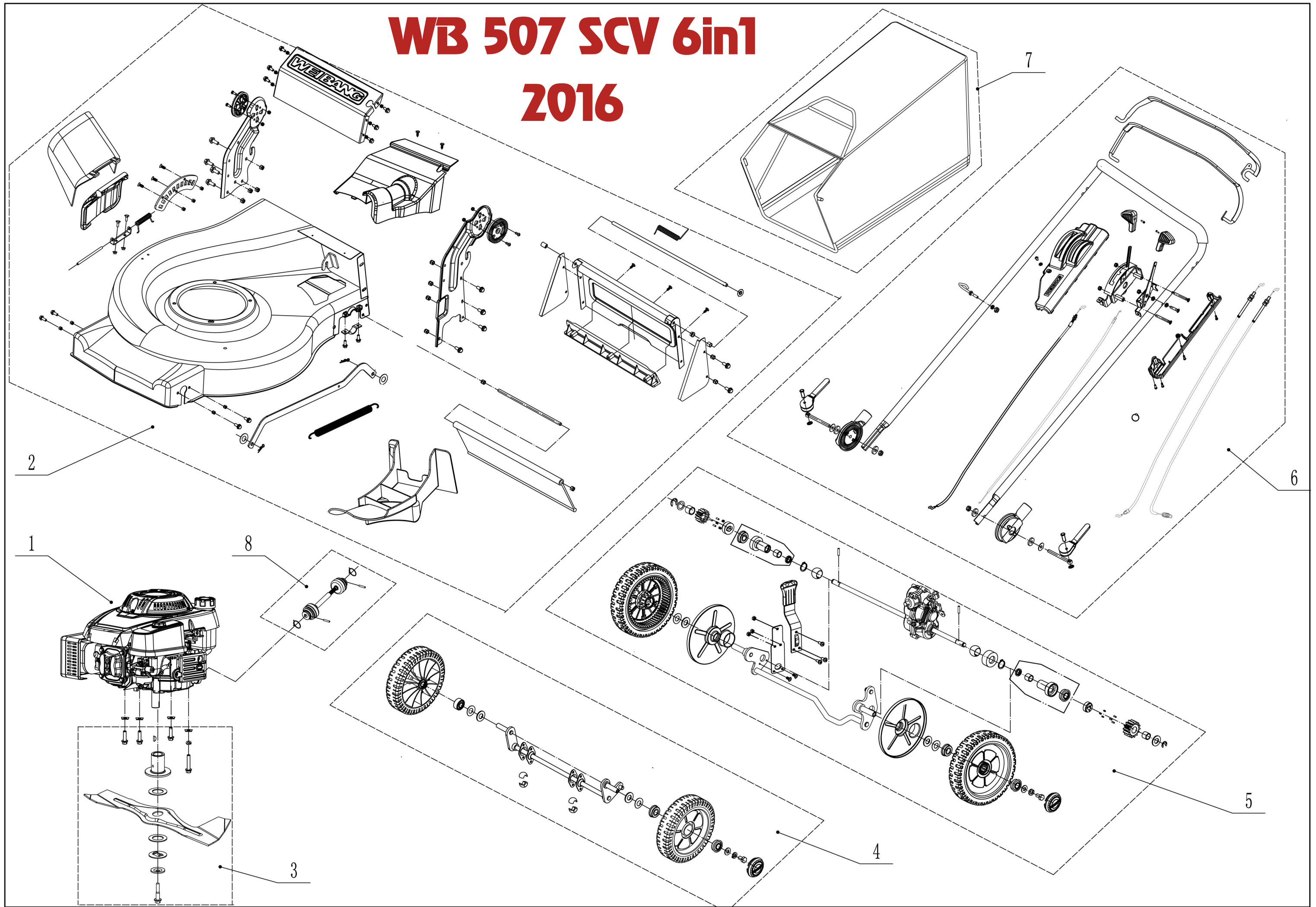
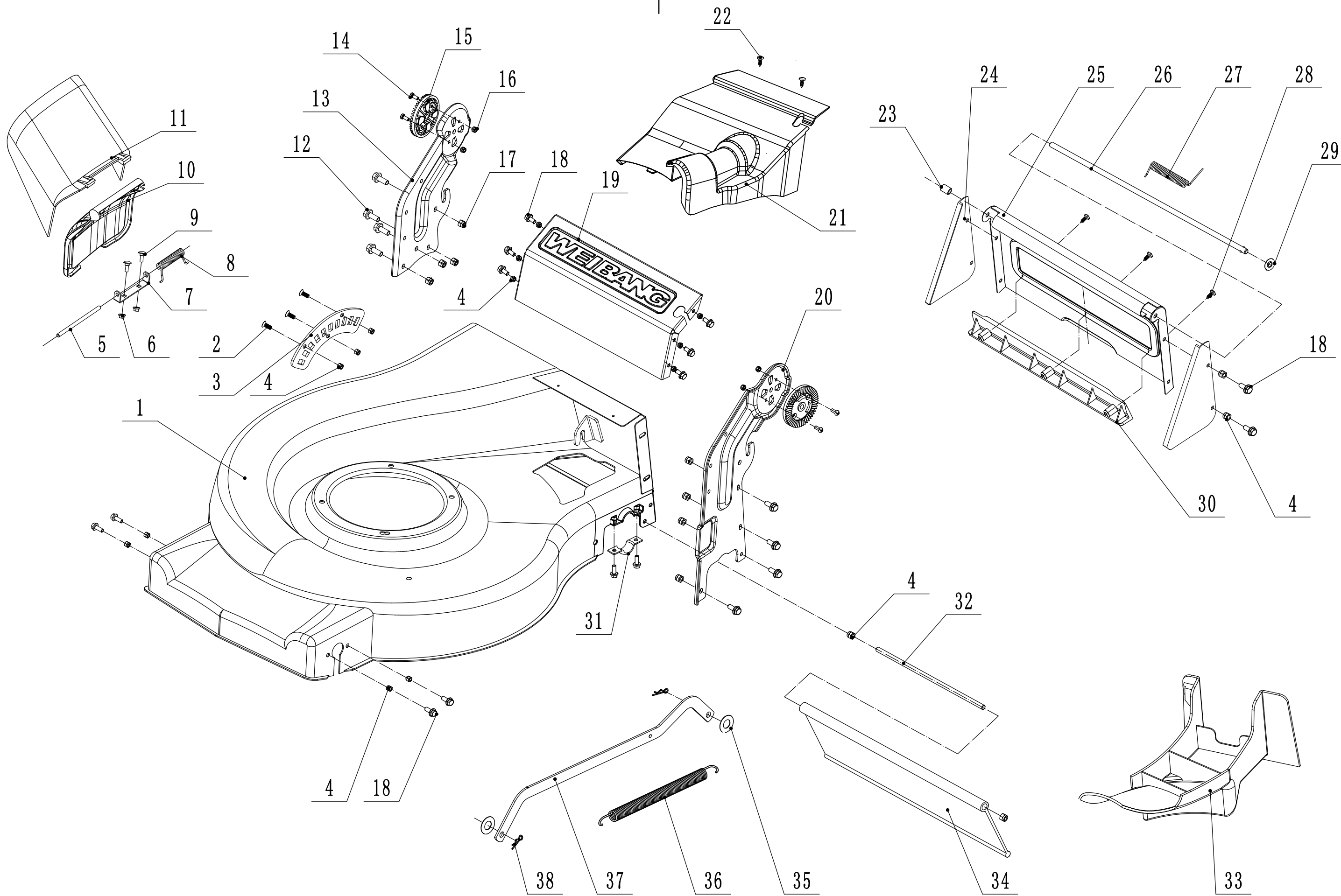
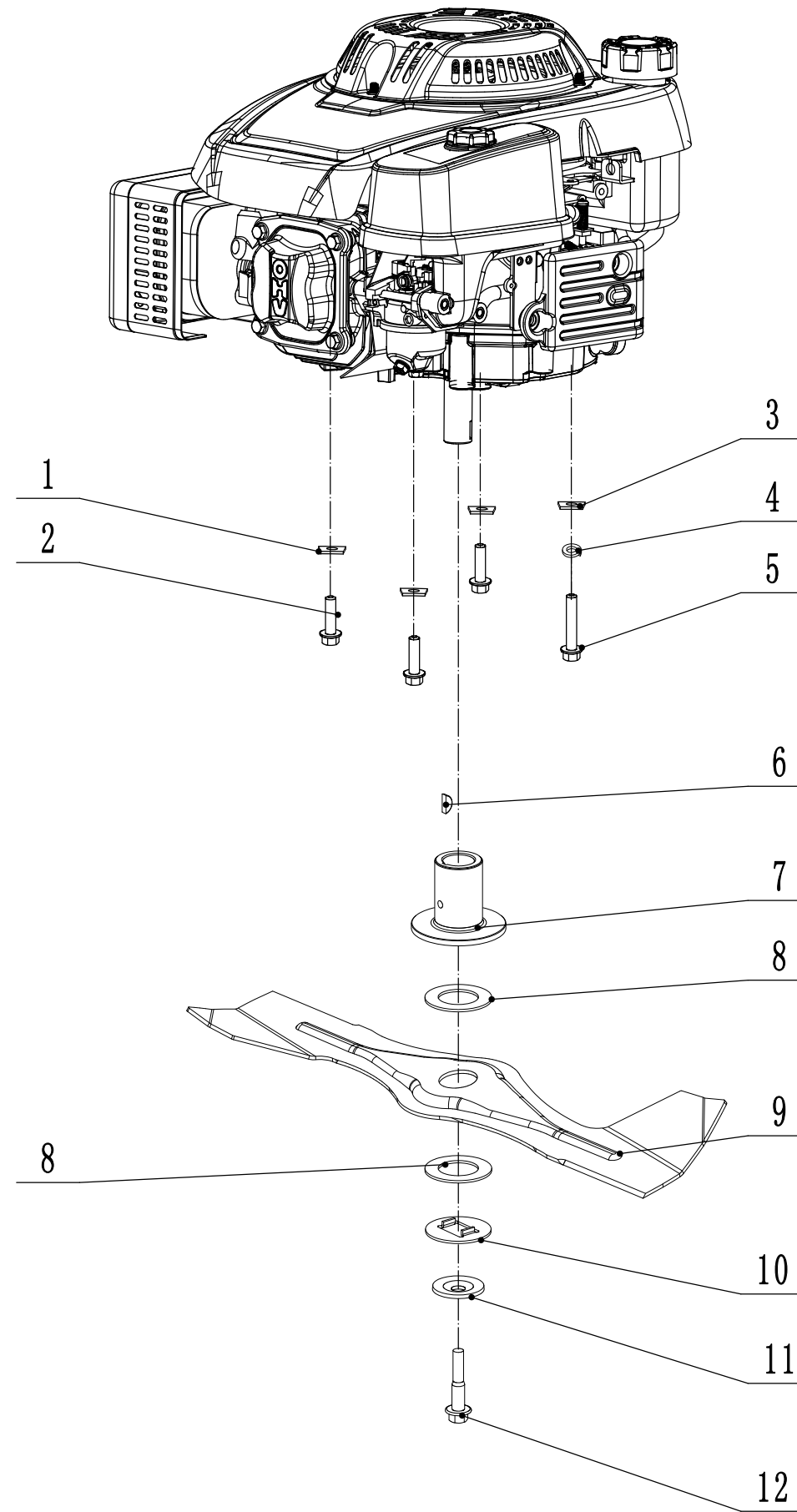


WB 507 SCV 6in1 2016

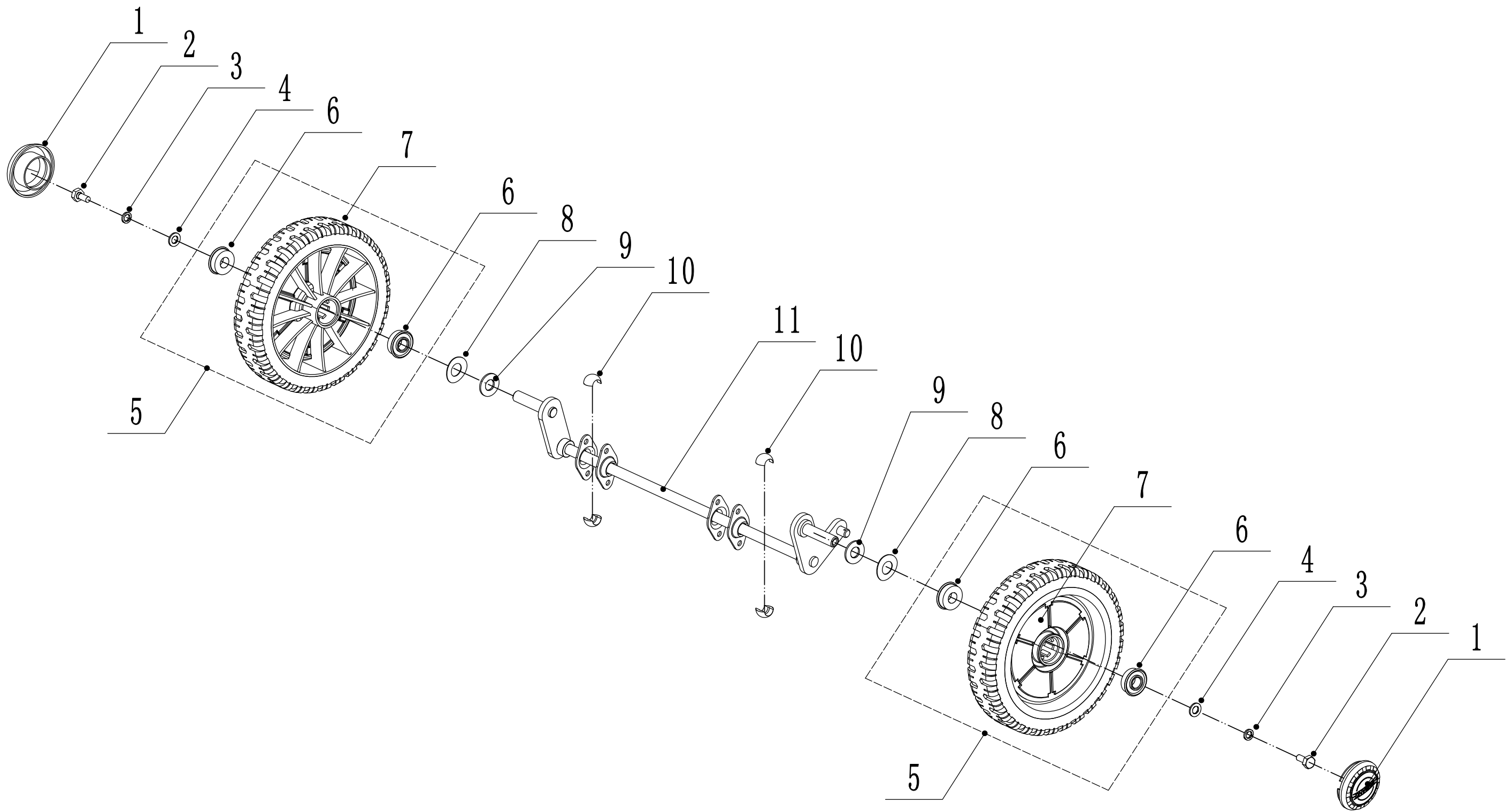




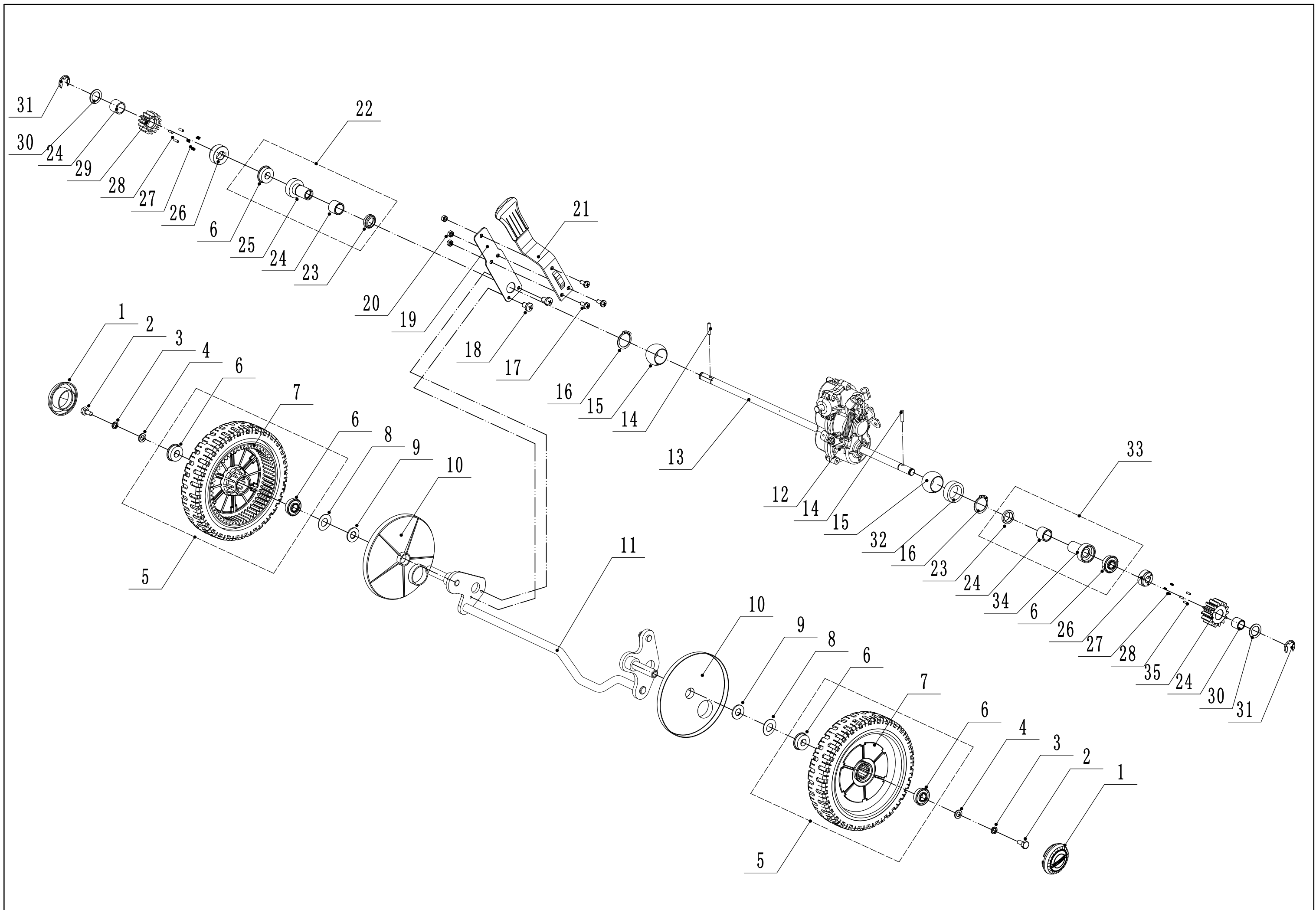
Order	Part number	Name_English	Quantity
2	Part2 deck assembly Spare parts price list		
1	5020101010S/44	chassis	1
2	0108006015	screw	3
3	5020131010S/01	graduator	1
4	0202006000	lock nut	19
5	5020120010/02	axle	1
6	0204006000	lock nut	2
7	5020118010/02	bracket	1
8	5020119010	spring	1
9	0107006014	bolt	2
10	5020121010	cover	1
11	5020122010	deflector	1
12	0102008016	bolt	8
13	5020116020S/44	right bracket	1
14	0104005012	screw	4
15	AVSA000000040	tooth disc	2
16	0202005000	lock nut	4
17	0202008000	lock nut	8
18	0102006012	bolt	14
19	5020115030S/44	connector	1
20	5020115020S/44	left bracket	1
21	5020111010S	upper shield	1
22	0106004009	screw	2
23	5320136010S/02	spacer	1
24	5020128010/22	bracket (right)	1
25	5020125010	rear cover	1
26	5320128020S/02	axle	1
27	5020127010	spring	1
28	0106004009	screw	3
29	4510114030	cap	1
30	5020125040	seals	1
31	5320114020/01	upper bearing bracket	2
32	5020117010/02	pivot	1
33	5020124010	plug	1
34	4510111010	rear deflector	1
35	0301008000	spacer	2
36	5320332010/02	spring	1
37	5020312010	connector	1
38	5320333010	check ring	2



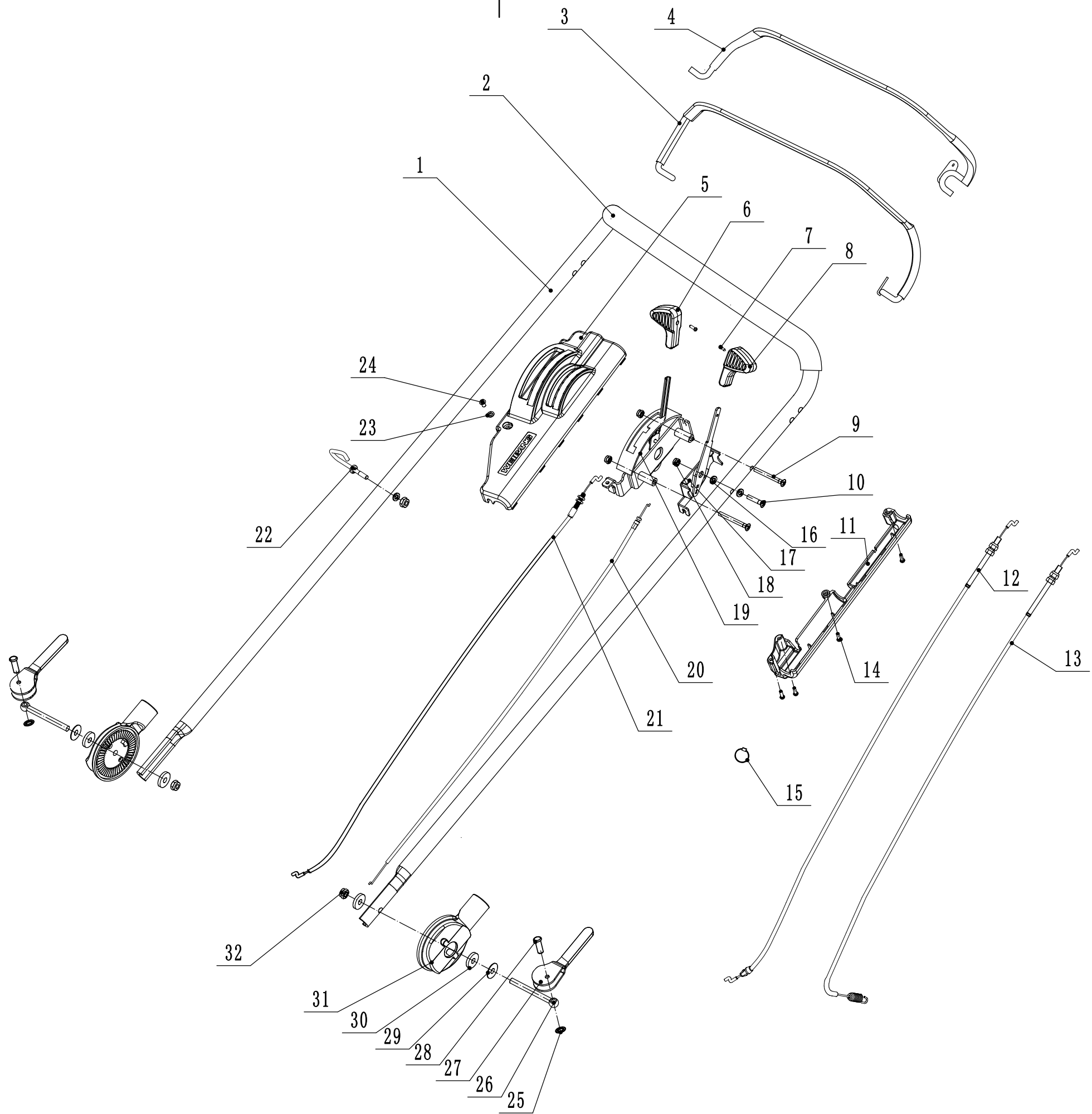
3 Part3 blade component Spare parts price list			
Order	Part number	Name_English	Quantity
1	5310112020/02	spacer	3
2	5320115010	bolt	3
3	5310112010/02	spacer	1
4	0401008000	spring washer	1
5	0101008035	bolt	1
6	4510401010	key	2
7	4510402010/02	adapter	1
8	5310402010	friction disc	2
9	5020405010/22	blade	1
10	5310404010/02	lock disc	1
11	5310406010/04	spring washer	1
12	5310415010	central bolt	1



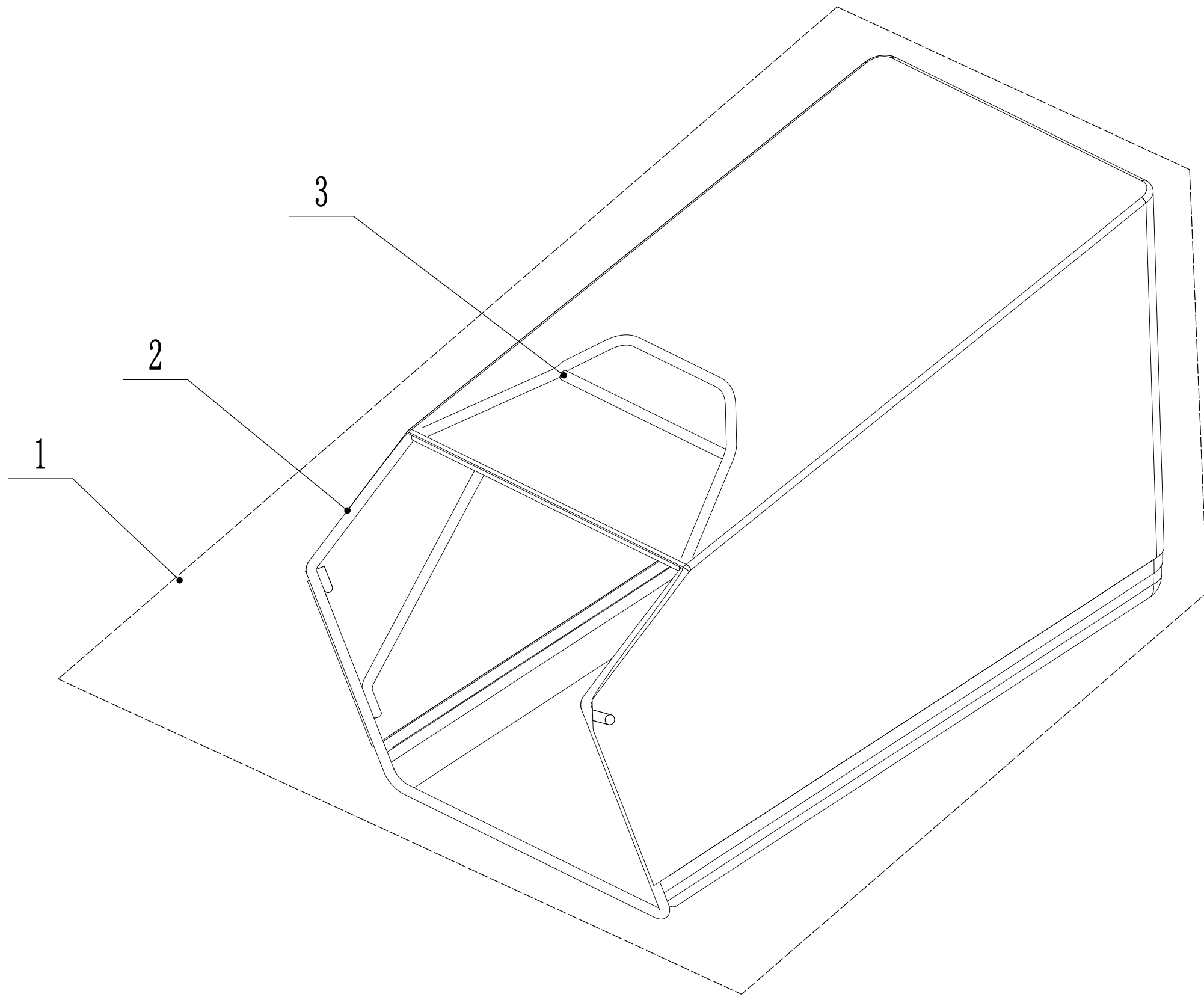
4	Part4 front axle Spare parts price list		
Order	Part number	Name_English	Quantity
1	5310214010	hub cap	2
2	0101008015	bolt	2
3	0401008000	spring washer	2
4	0301006000	spacer	2
5		8" wheel kit	2
6	5310213010	bearing	4
7	5310212010	8"wheel	2
8	5310211010/02	spring washer	2
9	5310210010/02	spacer	2
10	5310209010	bearing	4
11	5020201010	front axle weldment	1



5	Part5 rear axle Spare parts price list		
Order	Part number	Name_English	Quantity
1	5310214010	hub cap	2
2	0101008015	bolt	2
3	0401008000	spring washer	2
4	0301006000	spacer	2
5	5340309010/81	rear wheel	2
6	5310213010	bearing	4
7			
8	5310211010/02	spring washer	2
9	5310210010/02	spacer	2
10	5340310010P	anti-dust shield	2
11	5020301020S/01	rear axle weldment	1
12	Y20502Z0	gearbox assembly	1
13	5020309010S/02	axle	1
14	HQ000100060	pin	2
15	5320328010	bearing	2
16	1001020000	check ring	2
17	0104006014	cross slot screw	3
18	0104005008	cross slot screw	2
19	5360311010/22	spring	1
20	0202006000	lock nut	3
21	5360310010	lever	1
22	Y20532Z1	right bearing kit	1
23	5320327010	anti-dust ring	2
24	5320326010P	bearing	4
25	5320325020/02	bearing sheath	1
26	HQ000100050	pin bracket	2
27	HQ000100040	spring	6
28	HQ000100030	pin	6
29	HQ000100020	right pinion	1
30	5020311010/04	spacer	2
31	1301009000	check ring	2
32	5020310010/02	spacer	1
33	Y20532Z0	left bearing sheath assembly	1
34	5320324020	left bearing sheath	1
35	HQ000100010	left pinion	1



6	Part6 handlebar Spare parts price list		
Order	Part number	Name_English	Quantity
1	5020501020S/44	handle	1
2	GM56E010000080	sheath	1
3	5320511030S/44	clutch lever weldment	1
4	5320503020S/44	brake lever weldment	1
5	5020501030S	upper cover	1
6	5380508010	grip	1
7	0106003013	screw	2
8	5380510010	grip	1
9	0108006060	screw	2
10	0108006050	screw	1
11	5020501040S	lower cover	1
12	BS120-1115	brake cable	1
13	LH178-1065-S	clutch calbe	1
14	0113040018	screw	4
15	ZD3/190	ties	1
16	0301006000	spacer	4
17	5380512010	bracket	1
18	0202006000	lock nut	4
19	5020501050S	bracket	1
20	YM1045-1117-A	throttle cable	1
21	TX120-930-S	speed control cable	1
22	4510511010/01	hook	1
23	0104005008	screw	1
24	0301005000	spacer	1
25	4510114030	cap	2
26	GM48S000000100/02	bolt	2
27	GM56A100400000	lock lever	2
28	0801008022	pin	2
29	GM56A100000040/04	spacer	2
30	GM56A100000050/01	spacer	3
31	GM48S030200000	tooth disc kit	2
32	0201008000DD	lock nut	2

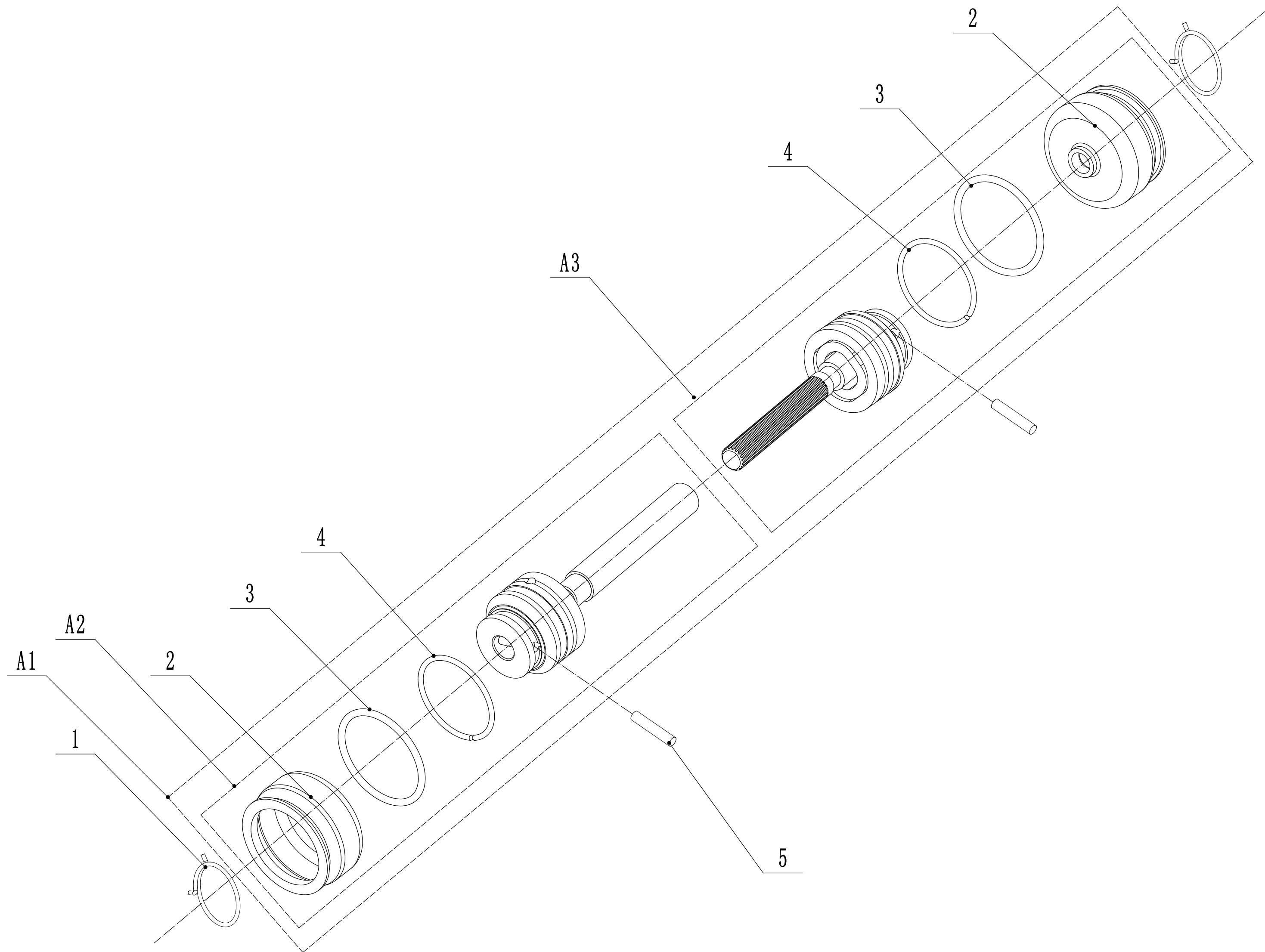


1

2

3

7	Part7 grasscatcher Spare parts price list		
Order	Part number	Name_English	Quantity
1	5020601020S	grass catcher	1
2	5020602010S/22	frame weldment	1
3	5020603010S/81	grass bag	1



8	Part 8 Universal Drive Shaft Spare parts price list		
Order	Part number	Name_English	Quantity
1	HQA020000020	check ring	2
A1	Y26ZCD02	universal drive shaft	1
A2	Y26ZCDA01	universal drive shaft A	1
A3	Y26ZCDB01	universal drive shaft B	1
2	HQA020000080	anti-dust shield	2
3	1401028003	o ring	2
4	HQA020000030	check ring	2
5	HQA020000090	pin	2