

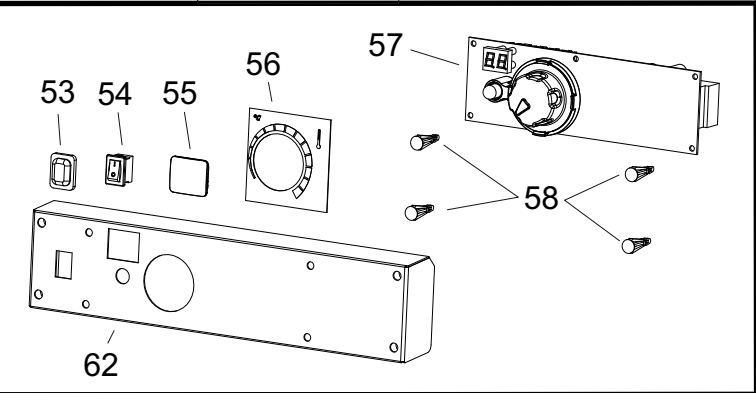
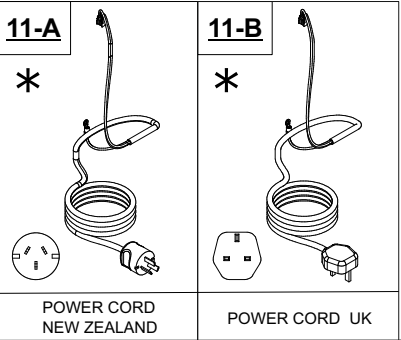
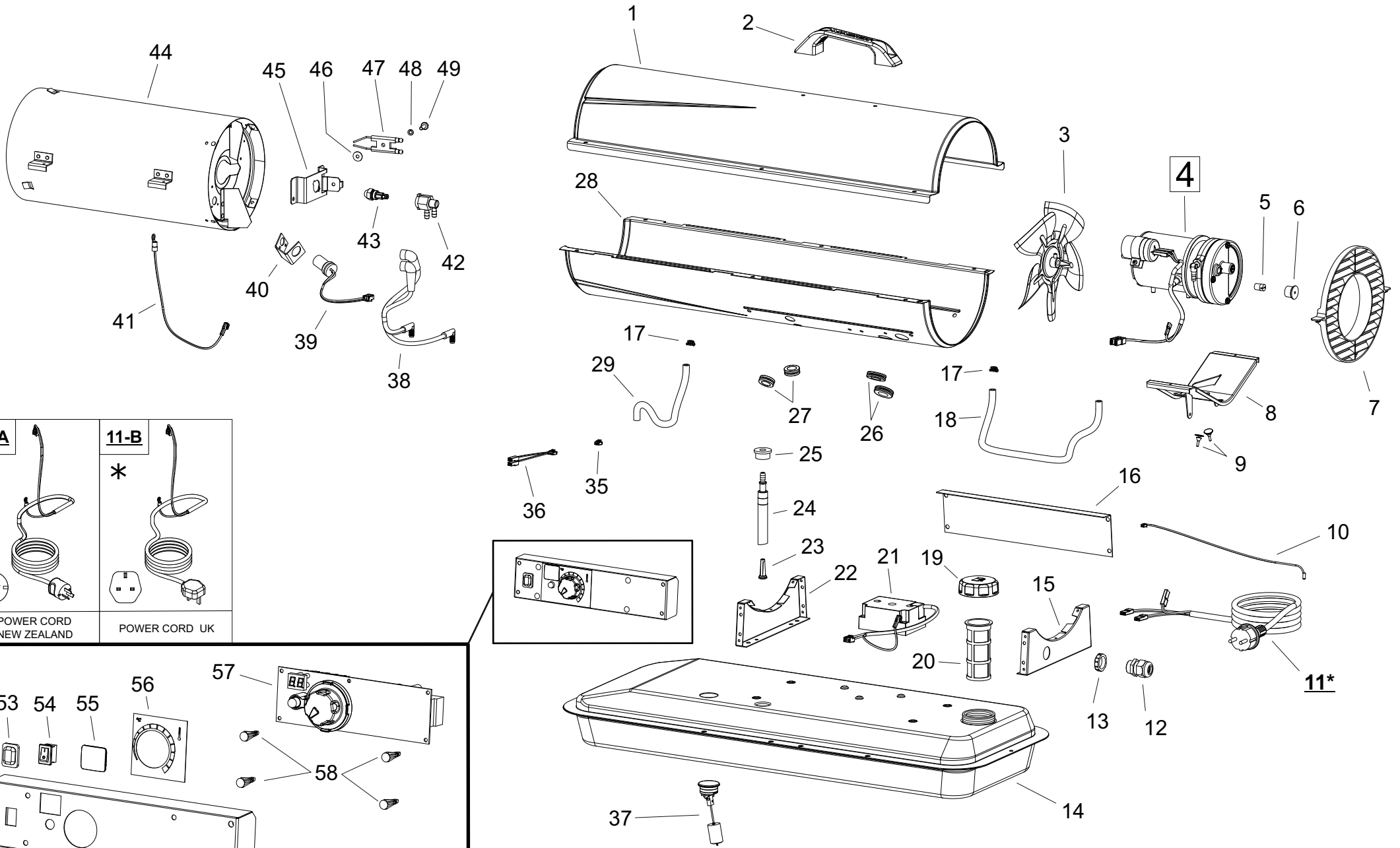
# MODEL B 35CEL

UNIT 1

ILLUSTRATED PARTS BREAKDOWN

From Serial Number: 134009372

Rev.E - Nov. 2014



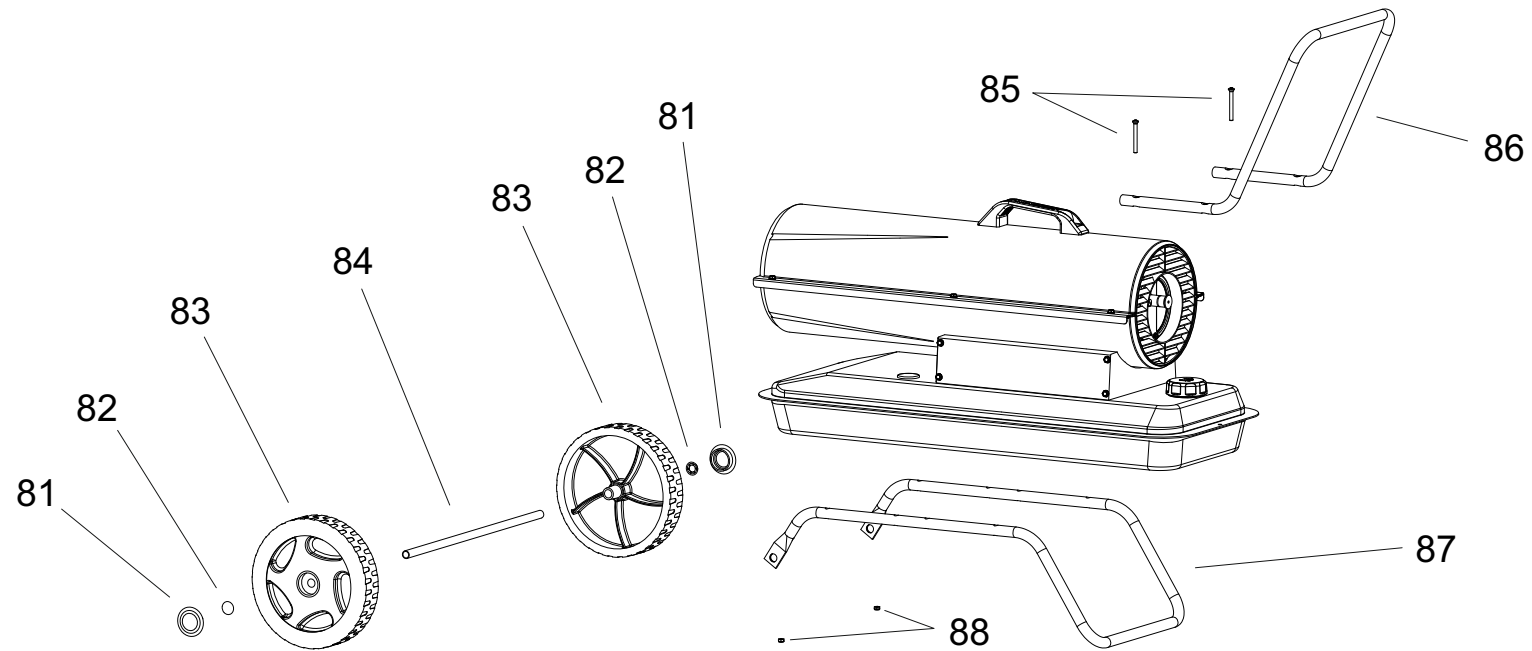
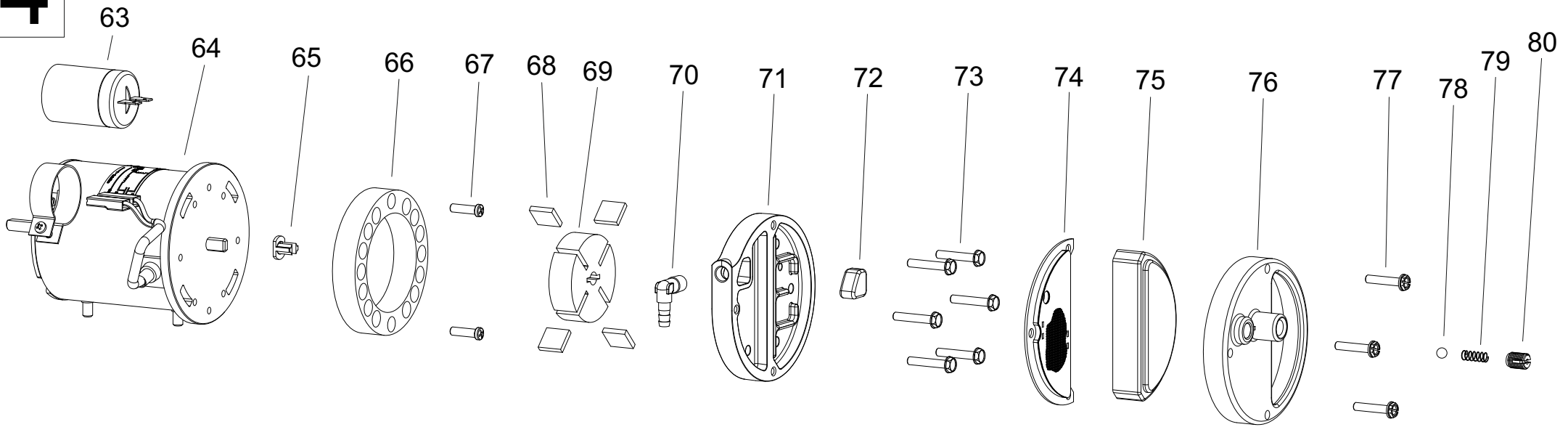
# MODEL B 35CEL

UNIT 2

ILLUSTRATED PARTS BREAKDOWN

## 4

### MOTOR-PUMP COMPLETE - COD. 4110.120



<b>Pos.</b>	<b>Code NR</b>	<b>Description</b>
1	4109.808	UPPER SHELL
2	4162.934	HANDLE
3	4100.662	FAN
4	4110.120	MOTOR-PUMP COMPLETE
5	4102.125	PRESSURE SCREW
6	4100.666	PRESSURE CAP
7	4109.812	INLET GRID
8	4110.187	MOTOR BRACKET
9	4150.553	BUMPER
10	4220.119	TEMPERATURE SONDE WIRE
11	4160.539	POWER CORD SCHUKO
11-A	4111.748	POWER CORD NEW ZEALAND
11-B	4160.540	POWER CORD UK
12	4150.528	STRAIN RELIEF
13	4100.656	NUT
14	4111.843	TANK
15	4101.024	REAR SUPPORT
16	4106.210	LATERAL PANEL
17	4110.159	BIFILAR CLAMP
18	4104.147	AIR PIPE
19	4100.052	TANK CAP
20	4290.026	TANK FILTER
21	4101.019	HIGH TENSION TRANSFORMER
22	4110.113	FRONT SUPPORT
23	4110.356	FUEL FILTER
24	4110.427	FUEL PIPE
25	4100.541	RUBBER BUSHING
26	4160.646	STRAIN RELIEF
27	4101.151	STRAIN RELIEF
28	4111.924	LOWER SHELL
29	4110.032	FUEL PIPE VALVE-NOZZLE
35	4220.120	BRIDGE WIRE
36	4220.167	SWITCH WIRE
37	4260.006	FUEL GAUGE
38	4111.831	HIGH TENSION WIRES
39	4220.115	PHOTOCELL
40	4100.658	PHOTOCELL BRACKET
41	4109.894	GROUND COMBUSTION CHAMBER WIRE
42	4100.663	NOZZLE HOLDER

---

<b>Pos.</b>	<b>Code NR</b>	<b>Description</b>
43	4100.648	NOZZLE
44	4110.115	COMBUSTION CHAMBER
45	4100.101	NOZZLE BRACKET
46	4100.394	FIBER WASHER
47	4110.337	BIFILAR ELECTRODE
48	4110.393	ELASTIC WASHER
49	4161.315	SCREW
53	4104.336	SWITCH COVER
54	4106.179	SWITCH
55	4201.068	DISPLAY COVER
56	4106.032	CONTROL PANEL LABEL
57	4220.170	PC-BOARD
58	4101.021	PC-BOARD SPACER
62	4101.032	CONTROL PANEL
63	4111.856	CAPACITOR
64	4111.850	MOTOR
65	4108.635	MOTOR COUPLING
66	4101.532	PUMP BODY
67	4108.590	PUMP BODY SCREW
68	4101.666	ROTOR BLADE
69	4103.441	ROTOR
70	4100.661	90° CONNECTION
71	4109.724	OIL PUMP ALUMINIUM PLATE
72	4109.716	INTERNAL AIR FILTER
73	4108.536	SCREW/LOCKWASHER 4,8x30
74	4109.708	OUTLET AIR FILTER
75	4109.690	INLET AIR FILTER
76	4109.674	END COVER
77	4108.528	SCREW/LOCKWASHER 4,8x25
78	4108.379	STEEL BALL
79	4102.141	SPRING
80	4102.133	REGULATION SCREW