

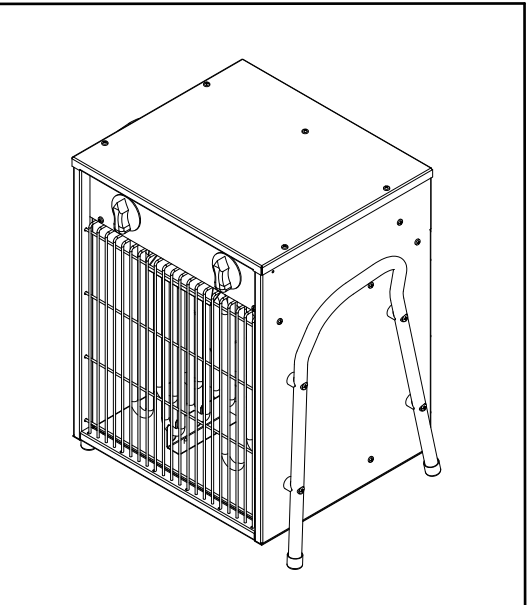
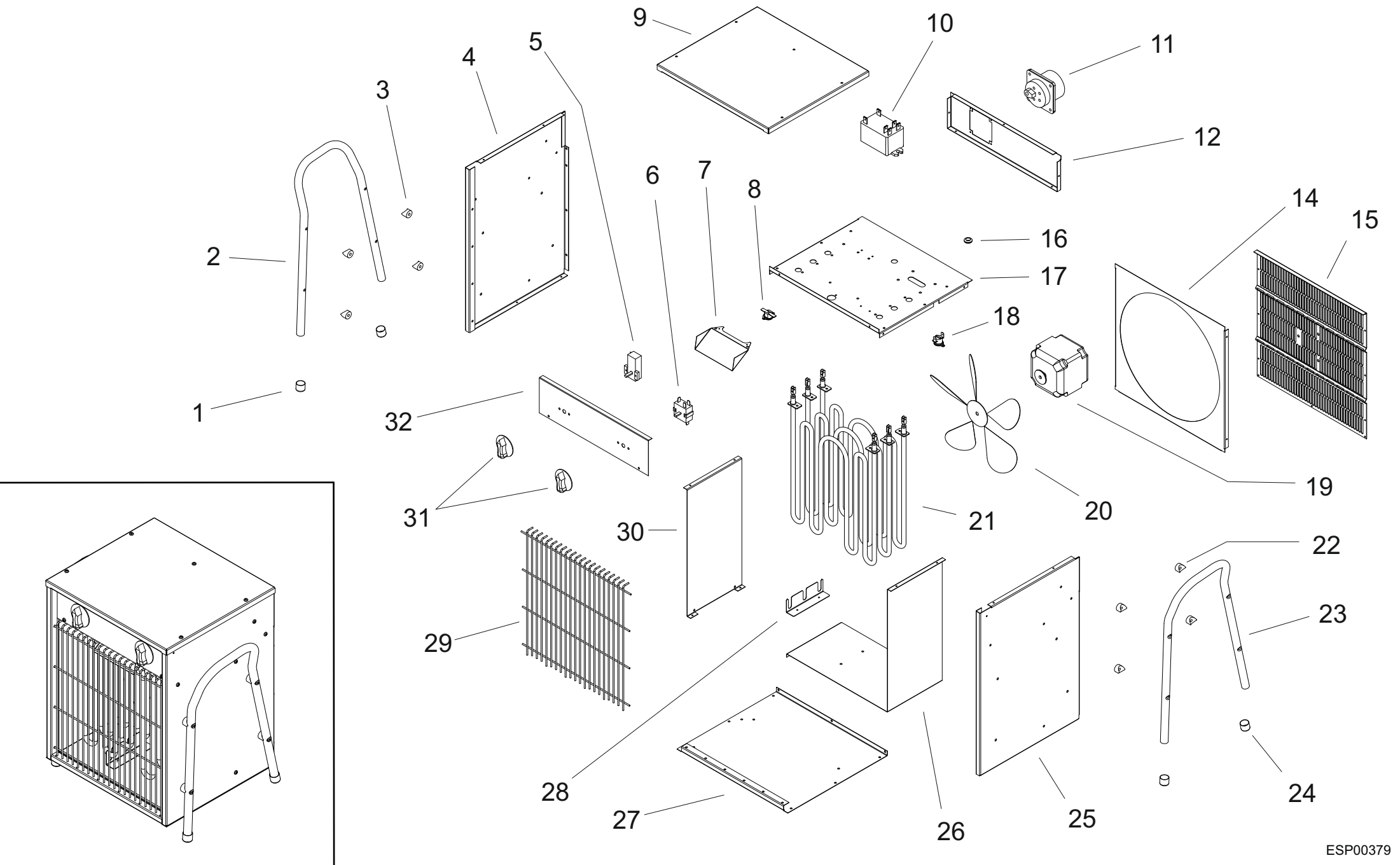
MODEL B 9 EPB NEW

UNIT 1

ILLUSTRATED PARTS BREAKDOWN

From Serial Number: 07C360218798

Rev.A - Nov. 2016



MODEL B 9PB NEW

UNIT 2

PARTS LIST

Pos.	Code N°	Description	Rev.A - Nov. 2016
1	4510.623	HANDLE CAP	
2	4510.128	HANDLE	
3	4510.603	HANDLE SPACER	
4	4511.791	RIGHT PANEL	
5	4510.403	THERMOSTAT	
6	4510.401	SELECTOR	
7	4511.220	TEMPERATURE PROTECTION BRACKET	
8	4510.477	SAFETY THERMOSTAT	
9	4511.792	UPPER PANEL	
10	4034.225	RELAY BOARD	
11	4160.102	PANEL PLUG 5P	
12	4511.815	REAR UPPER PANEL	
13			
14	4511.805	REAR THERMAL SHIELD	
15	4511.798	REAR PANEL	
16	4511.621	WIRE PROTECTION	
17	4511.794	BASE	
18	4510.404	TEMPERATURE SENSOR	
19	4510.307	MOTOR	
20	4510.326	FAN	
21	4510.371	RESISTANCE	
22	4510.603	HANDLE SPACER	
23	4510.128	HANDLE	
24	4510.623	HANDLE CAP	
25	4511.790	LEFT PANEL	
26	4511.796	THERMAL L SHIELD	
27	4511.793	LOWER PANEL	
28	4511.802	RESISTANCE BRACKET	
29	4511.789	FRONT GRILL	
30	4511.797	THERMAL SHIELD	
31	4165.007	REGULATION HANDLE	
32	4511.803	FRONTAL PANEL	

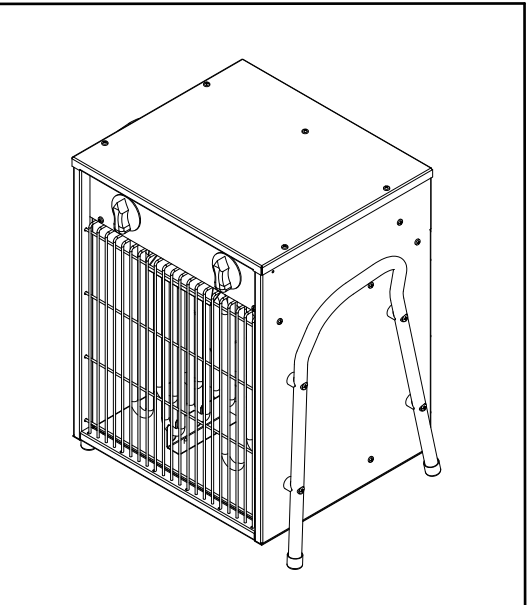
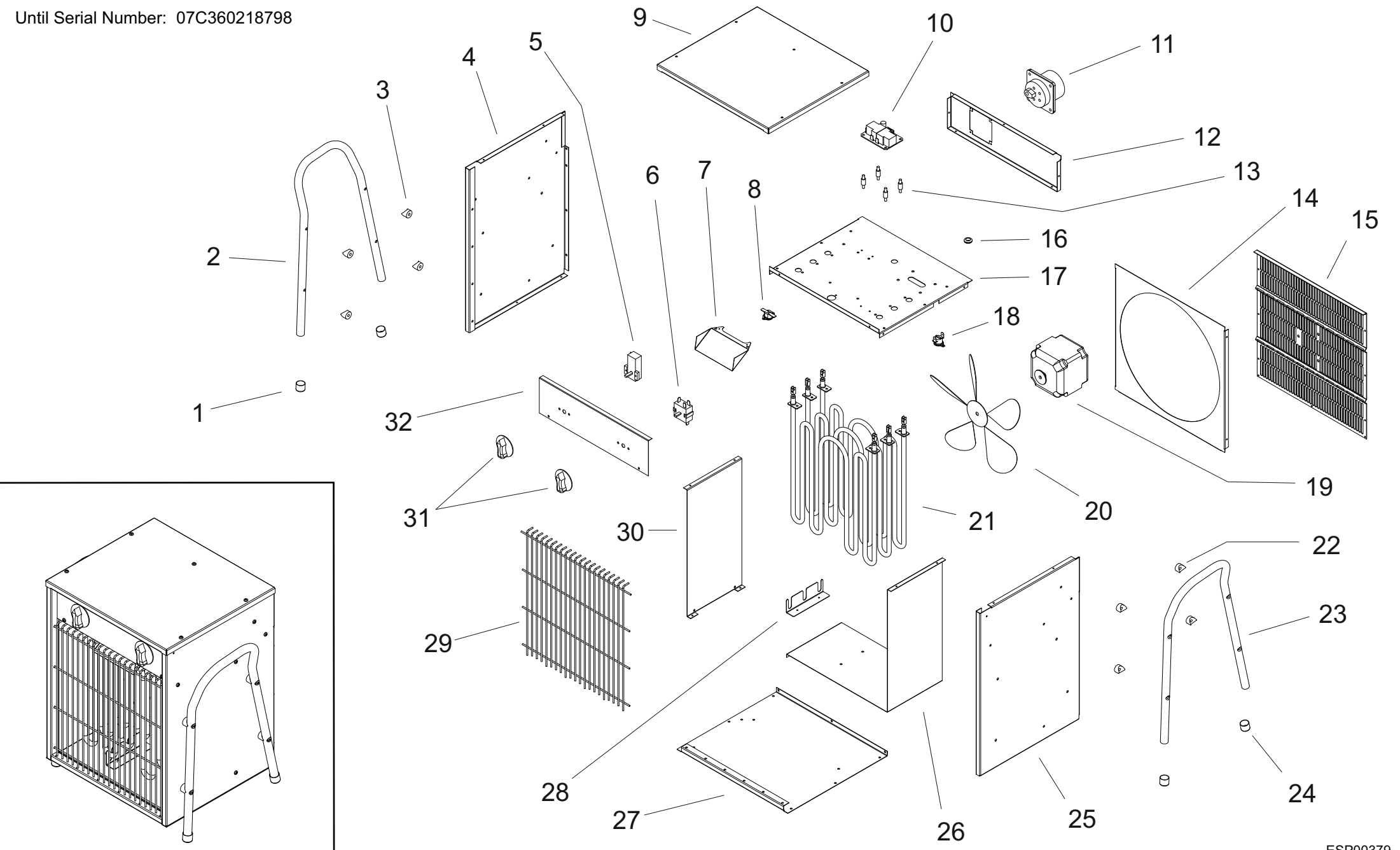
MODEL B 9 EPB NEW

UNIT 1

ILLUSTRATED PARTS BREAKDOWN

From Serial Number: XXC3400001
Until Serial Number: 07C360218798

Rev. - May 2015



MODEL B 9PB NEW

UNIT 2

PARTS LIST

Pos.	Code N°	Description	Rev. - - June 2015
1	4510.623	HANDLE CAP	
2	4510.128	HANDLE	
3	4510.603	HANDLE SPACER	
4	4511.791	RIGHT PANEL	
5	4510.403	THERMOSTAT	
6	4510.401	SELECTOR	
7	4511.220	TEMPERATURE PROTECTION BRACKET	
8	4510.477	SAFETY THERMOSTAT	
9	4511.792	UPPER PANEL	
10	4510.471	RELAY BOARD	
11	4160.102	PANEL PLUG 5P	
12	4511.815	REAR UPPER PANEL	
13	4517.613	BOARD SPACER	
14	4511.805	REAR THERMAL SHIELD	
15	4511.798	REAR PANEL	
16	4511.621	WIRE PROTECTION	
17	4511.794	BASE	
18	4510.404	TEMPERATURE SENSOR	
19	4510.307	MOTOR	
20	4510.326	FAN	
21	4510.371	RESISTANCE	
22	4510.603	HANDLE SPACER	
23	4510.128	HANDLE	
24	4510.623	HANDLE CAP	
25	4511.790	LEFT PANEL	
26	4511.796	THERMAL L SHIELD	
27	4511.793	LOWER PANEL	
28	4511.802	RESISTANCE BRACKET	
29	4511.789	FRONT GRILL	
30	4511.797	THERMAL SHIELD	
31	4165.007	REGULATION HANDLE	
32	4511.803	FRONTAL PANEL	