

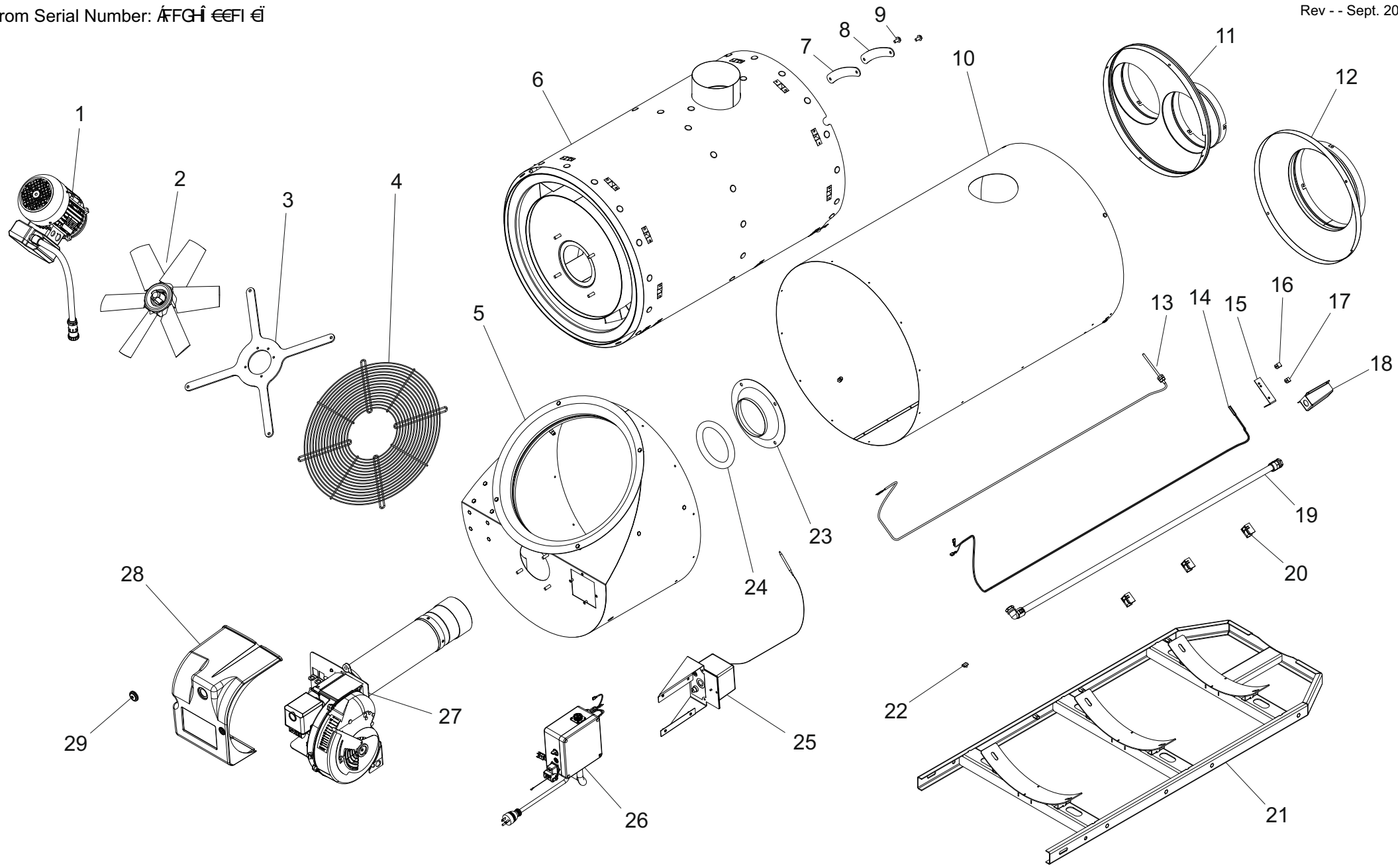
MODEL BV500 - 230 V / 50 Hz

UNIT 1

ILLUSTRATED PARTS BREAKDOWN

From Serial Number: ÁFGH €FI €

Rev -- Sept. 2016



MODEL BV500 230 V - 50 Hz

UNIT 2

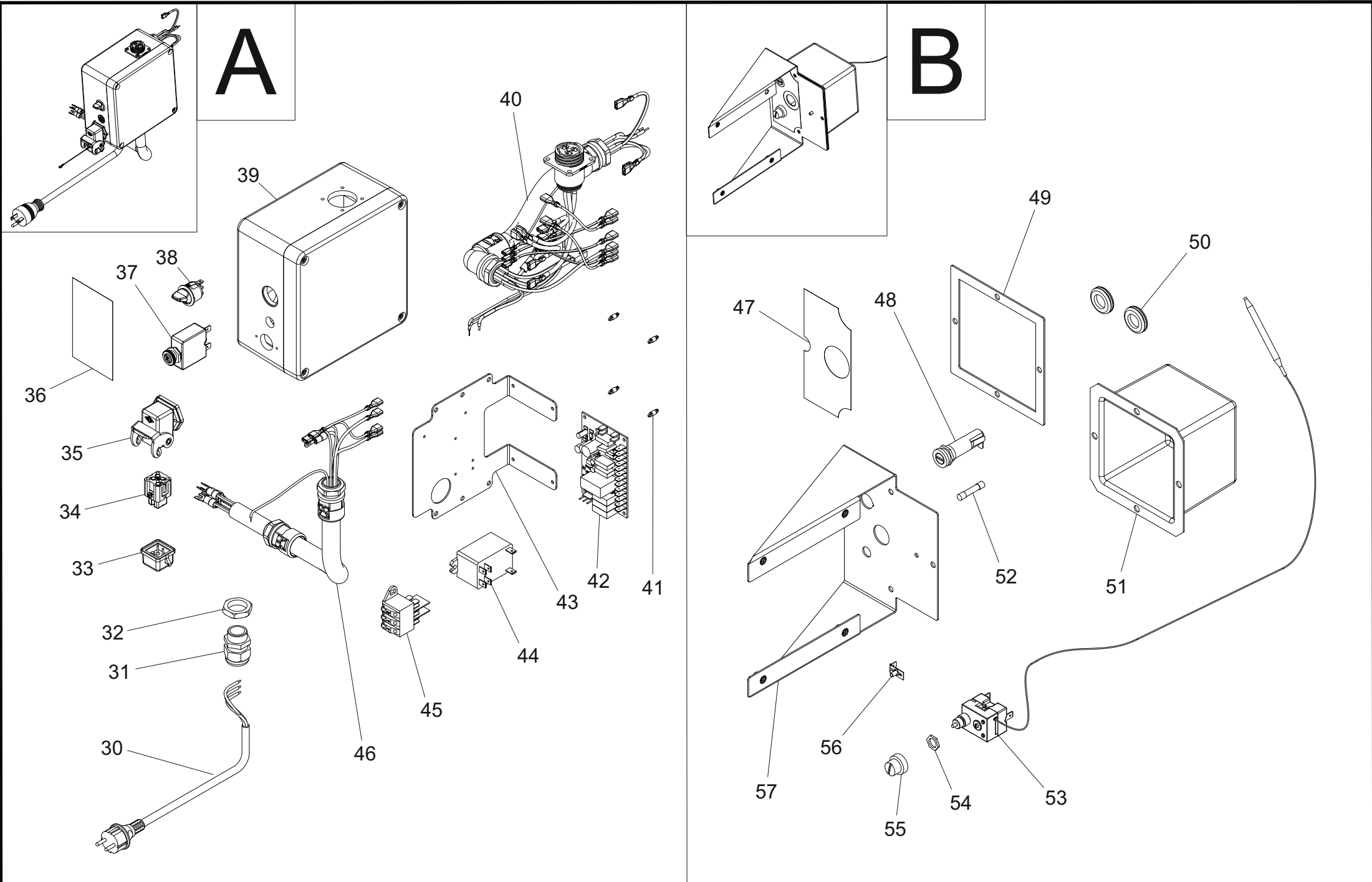
PARTS LIST

Pos.	Code N°	Description	Rev. - - Sept. 2016
1	4034.205	MOTOR	
2	4034.207	FAN	
3	4033.916	MOTOR FLANGE	
4	4033.627	MOTOR GRILLE	
5	4033.972	MOTOR SUPPORT	
6	4033.601	COMBUSTION CHAMBER	
7	4033.618	INSPECTION GASKET	
8	4033.617	INSPECTION FLANGE	
9	4117.183	SCREW	
10	4033.971	VARNISHED SHELL	
11	4033.440	OUTLET CONE 2 WAY	
12	4033.976	OUTLET CONE 1 WAY	
13	4033.794	TEMPERATURE NTC SENSOR	
14	4033.498	THERMOSTAT	
15	4033.814	SENSORS BRACKET	
16	4033.879	CLIP	
17	4033.700	CLIP	
18	4033.710	SENSORS COVER	
19	4033.849	METAL CONDUIT ASS.Y	
20	4033.684	METAL CONDUIT SUPPORT	
21	4034.209	GLIDE	
22	4033.801	WIRE CLAMP	
23	4033.636	COMPENSATION FLANGE	
24	4033.642	FIBER ROPE	
25	4033.472	THERMOSTAT PANEL	
26	4034.208	CONTROL PANEL	
27	4034.203	BURNER	
28	4033.793	BURNER COVER	
29	4033.803	BURNER RESET COVER	

MODEL BV500 - 230 V / 50 Hz

UNIT 3

ILLUSTRATED PARTS BREAKDOWN



MODEL BV500 230 V - 50 Hz

UNIT 4

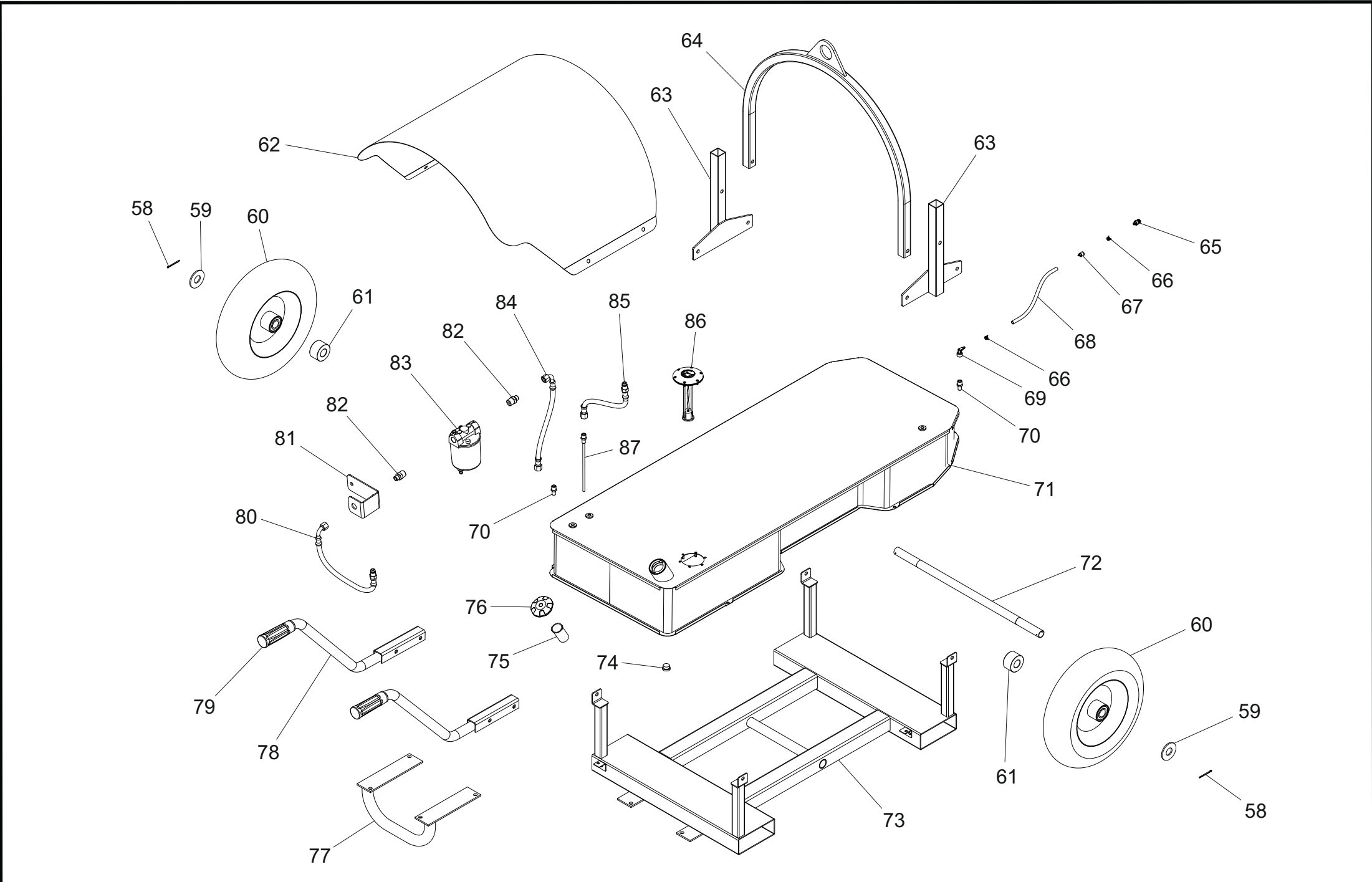
PARTS LIST

Pos.	Code N°	Description	Rev. - - Sept. 2016
30	4034.224	POWER CORD	
31	4150.528	STRAIN RELIEF BUSHING	
32	4100.656	NUT	
33	4033.520	THERMOSTAT CAP	
34	4161.400	THERMOSTAT PLUG	
35	4033.519	THERMOSTAT SOCKET 90°	
36	4034.263	CONTROL BOX LABEL	
37	4034.266	THERMAL CIRCUIT BREAKER	
38	4034.223	SWITCH	
39	4033.419	CONTROL BOX	
40	4033.418	WIRES KIT	
41	4033.786	SPACER	
42	4033.421	PC-BOARD	
43	4033.477	BRACKET	
44	4034.225	RELAY	
45	4033.771	TERMINAL BOX	
46	4033.423	BURNER WIRES KIT	
47	4034.262	LABEL	
48	4033.504	FUSE HOLDER	
49	4033.784	BOX RUBBER	
50	4162.500	CABLE PROTECTION	
51	4033.785	PLASTIC BOX	
52	4033.526	FUSE	
53	4033.789	MANUAL RESET THERMOSTAT	
54	4033.906	NUT	
55	4033.905	CAP	
56	4160.548	GROUND RIVET	
57	4033.475	BRACKET	

MODEL BV500 - 230 V / 50 Hz

UNIT 5

ILLUSTRATED PARTS BREAKDOWN



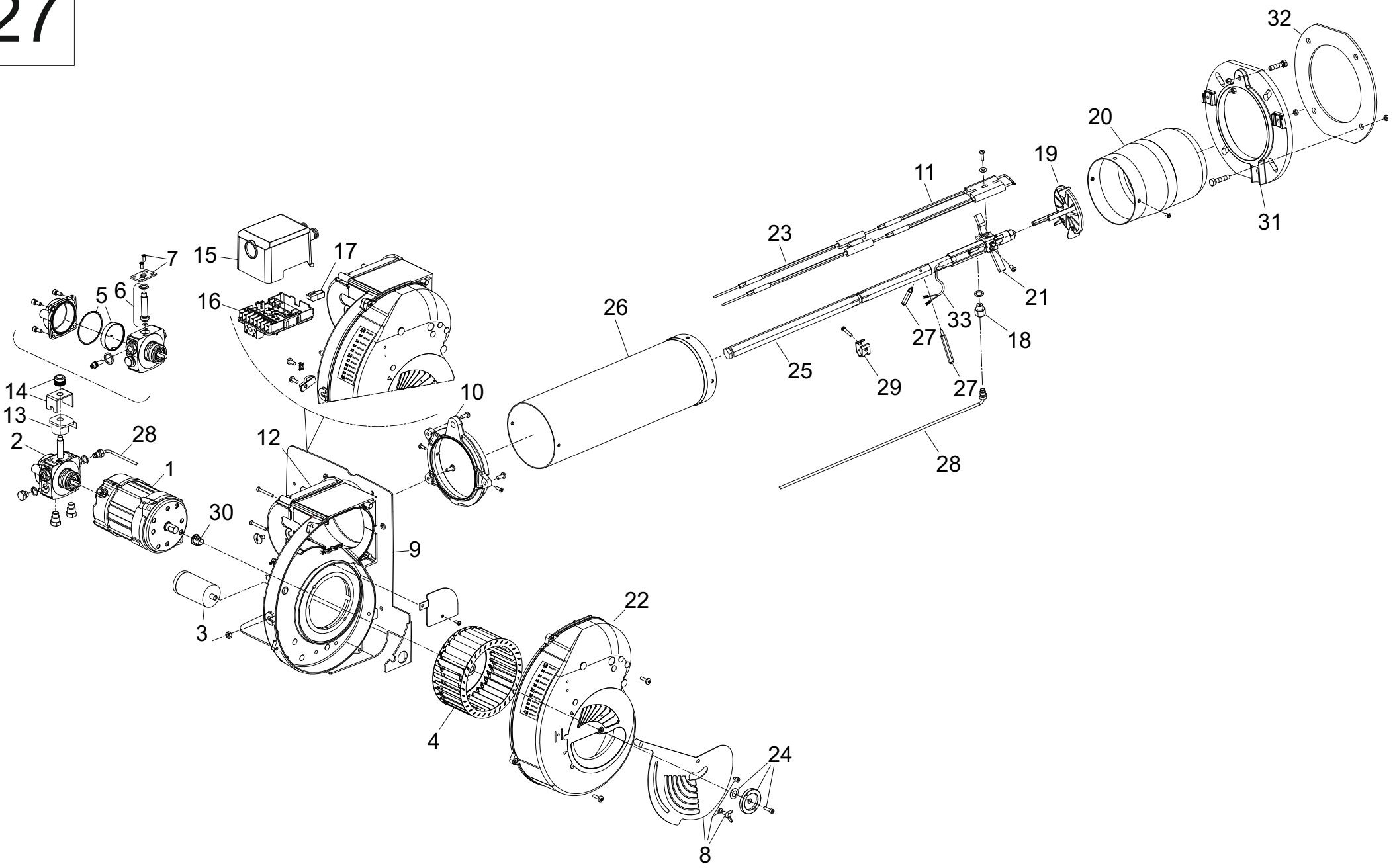
MODEL BV500 - 230 V - 50 Hz

UNIT 6

PARTS LIST

Pos.	Code N°	Description	Rev. - - Sept. 2016
58	4034.214	COTTER PIN	
59	4034.213	WASHER	
60	4034.211	PNEUMATIC WHEEL	
61	4033.470	BUSHING	
62	4034.249	COVERING ROOF	
63	4033.459	LIFTING FOOT	
64	4033.463	LIFTING ARCH	
65	4260.246	BREATHE VALVE	
66	4110.159	BIFILAR CLIP	
67	4034.309	CLIP	
68	4110.395	RUBBER PIPE	
69	4034.308	90° CONNECTION	
70	4031.068	STRAIGHT CONNECTION	
71	4033.994	TANK	
72	4033.467	AXLE	
73	4033.443	CHASSIS	
74	4032.813	DRAIN PLUG	
75	4033.999	FUEL FILTER	
76	4033.992	TANK CAP	
77	4033.455	CHASSIS FOOT	
78	4033.451	HANDLE	
79	4034.210	PLASTIC HANDLE	
80	4031.061	FUEL PIPE FILTER-BURNER	
81	4033.997	FILTER BRACKET	
82	4031.064	STRAIGHT CONNECTION	
83	4034.317	FUEL FILTER	
84	4034.253	FUEL PIPE TANK-FILTER	
85	4034.300	FUEL PIPE BURNER-TANK	
86	4034.254	FUEL GAUGE	
87	4034.252	SUCTION PIPE	

27



MODEL BV500 230 V - 50 Hz

UNIT 8

PARTS LIST

Pos.	Code N°	Description	Rev. - - Sept. 2016
1	4614.328	MOTOR	
2	4614.270	PUMP	
3	4614.329	CAPACITOR	
4	4614.043	FAN	
5	4614.044	FILTER	
6	4614.047	NEEDLE VALVE	
7	4614.272	PLATE	
8	4614.292	AIR DAMPER	
9	4614.302	FRONT SHIELD	
10	4614.295	COLLAR	
11	4034.196	ELECTRODE	
12	4614.297	COVER	
13	4614.037	COIL	
14	4614.055	SHELL AND KNOB	
15	4614.102	CONTROL BOX	
16	4614.056	TERMINAL BOARD	
17	4614.051	CELL CONNECTOR	
18	4034.197	CONNECTOR	
19	4034.198	END RING AND DIFFUSER DISK	
20	4614.320	BLAST TUBE	
21	4034.199	CROSS	
22	4614.318	AIR INTAKE	
23	4034.400	INSULATOR	
24	4614.309	SUPPORT FOR AIR DAMPER	
25	4614.308	EXTENSION SLIDE	
26	4614.299	END CONE	
27	4614.307	SPACER	
28	4034.401	TUBE	
29	4614.041	ELECTRODE BRACKET	
30	4614.021	JOINT	
31	4614.016	FLANGE	
32	4614.061	FLANGE GASKET	
33	4614.330	NOZZLE HOLDER ASS.Y	