

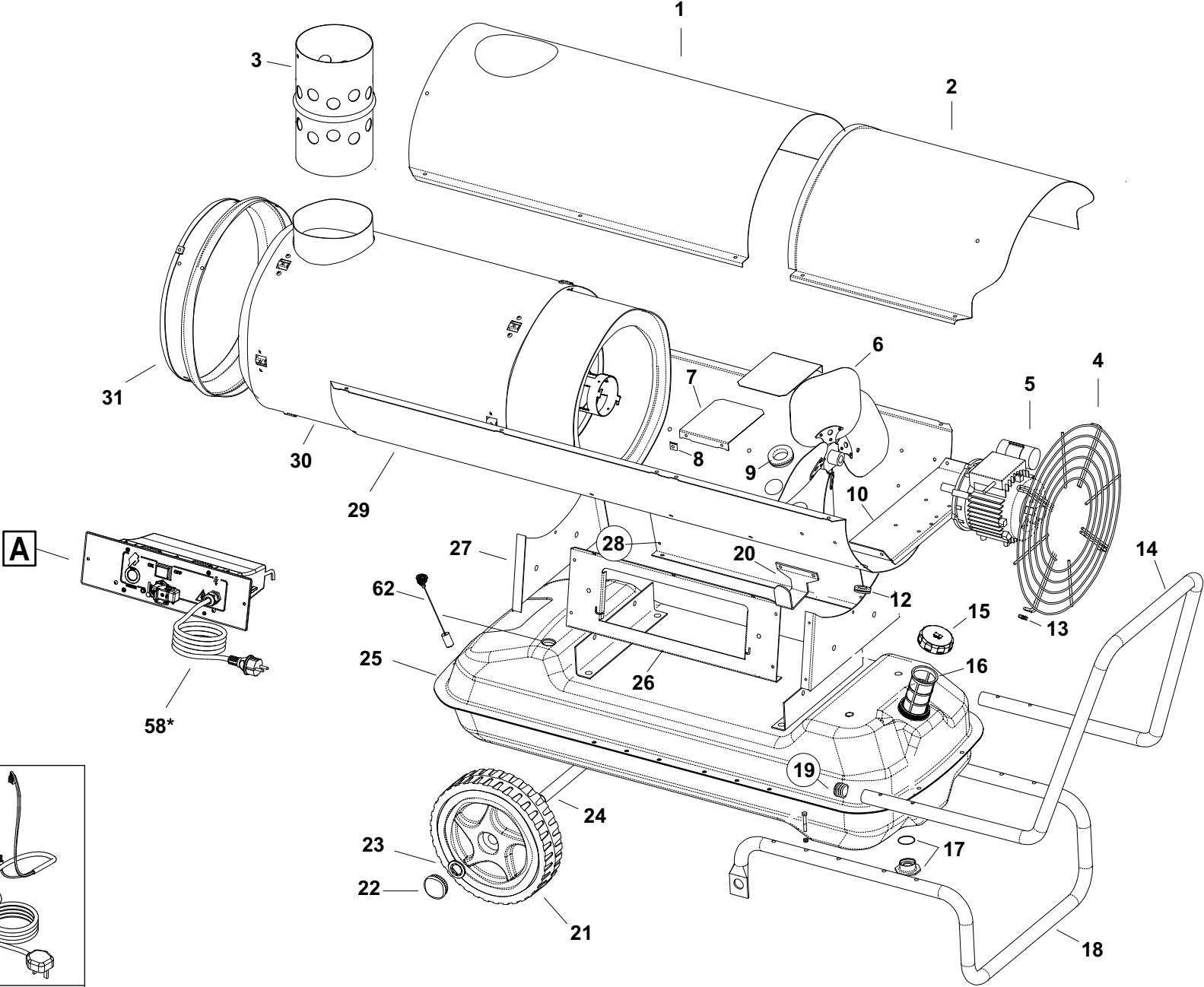
# MODEL BV110 E

UNIT 1

ILLUSTRATED PARTS BREAKDOWN

From Serial Number: 11236000310

Rev.G - Apr. 2016



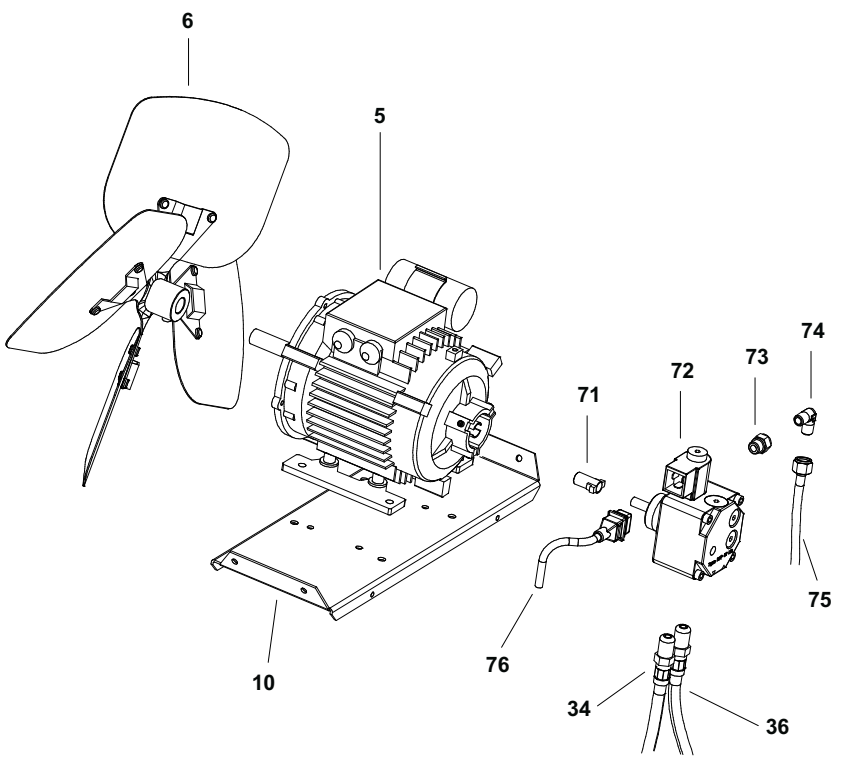
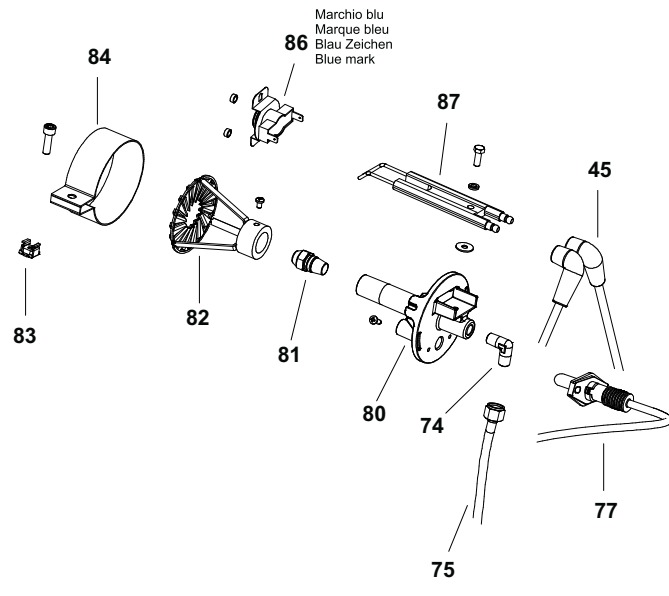
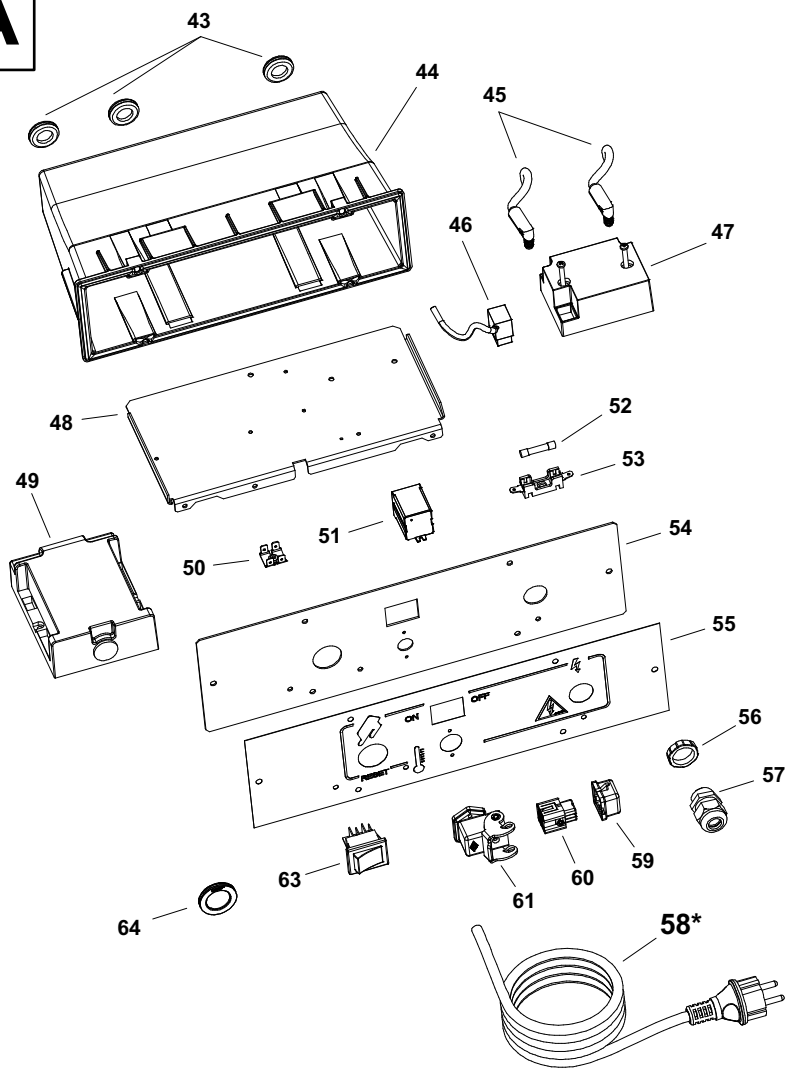
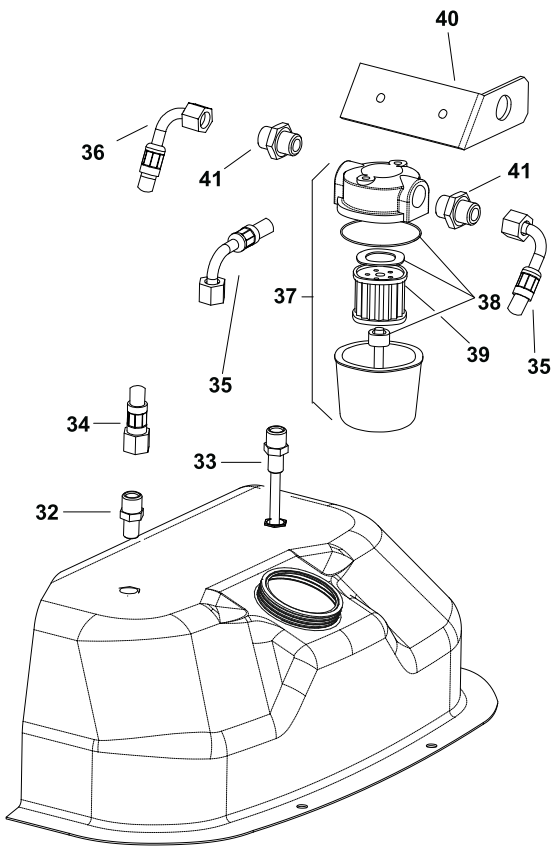
58-A	58-B
POWER CORD NEW ZEALAND	POWER CORD UK

# MODEL BV110 E

UNIT 2

ILLUSTRATED PARTS BREAKDOWN

**A**



# MODEL BV110 E

UNIT 3

PARTS LIST

POS.	Code NR	Description	Rev. G - Apr. 2016
1	4032.654	UPPER BODY	
2	4032.548	UPPER BODY MOBILE	
3	4032.385	CHIMNEY	
4	4032.557	INLET GRILLE	
5	4032.371	MOTOR	
6	4033.030	FAN	
7	4032.554	AIR FLAP	
8	4104.170	CLIP NUT	
9	4111.056	PROTECTION CLABLE	
10	4032.555	MOTOR FLANGE	
12	4160.646	PROTECTION CLABLE	
13	4111.241	ELASTIC PLATE	
14	4032.568	HANDLE FRAME	
15	4260.100	TANK CAP	
16	4290.213	TANK FILTER	
17	4100.632	DRAIN PLUG	
18	4032.564	FOOT FRAME	
19	4111.057	PLUG	
20	4032.536	POWER CORD HOOK	
21	4032.094	WHEEL Ø 250	
22	4111.480	WHEEL PLUG	
23	4111.072	WHEEL HOLDER Ø 20	
24	4032.566	AXLE	
25	4033.242	FUEL TANK	
26	4032.558	ELECTR. COMPONENTS DRAWER PANEL	
27	4033.095	BASE	
28	4032.560	SIDE PANEL	
29	4111.625	LOWER BODY	
30	4033.183	COMBUSTION CHAMBER	
31	4031.659	OUTLET CONE	
32	4031.068	CONN. STRAIGHT 1/4"	
33	4031.067	PIPE CONNECTION 1/4"	
34	4031.062	FUEL PIPE PUMP-TANK	
35	4031.063	FUEL PIPE TANK-FILTER	
36	4031.061	FUEL PIPE FILTER-PUMP	
37	4033.090	FILTER CARTIDGE 3/8"	
38	4111.116	OR KIT FILTER	
39	4031.494	FILTER CARTIDGE	
40	4032.437	FILTER SUPPORT	
41	4031.064	DOUBLE SCREW	
43	4160.646	PROTECTION CABLE	
44	4033.257	PLASTIX BOX	
45	4110.490	HT CABLE	
46	4033.256	POWER CORD TRANSFORMATOR HT	
47	4031.541	TRANSFORMER HT	
48	4033.249	CONTROL BASE	
49	4032.774	CONTROL BOX	
50	4160.639	POP RIVET 4 WAY	
51	4111.032	RELAY	
52	4111.040	FUSE	
53	4033.301	FUSE HOLDER	
54	4033.248	FRONTAL CONTROLS PANEL	
55	4033.254	PANEL LABEL	
56	4100.656	LOCKNUT	
57	4150.528	STRAIN RELIEF BUSHING	

ESP00138

# MODEL BV110 E

## UNIT 4

## PARTS LIST

POS.	Code NR	Description	Rev. G - Apr. 2016
58	4033.253	POWER CORD SCHUKO	
58-A	4033.252	POWER CORD NEW ZEALAND	
58-B	4033.302	POWER CORD UK	
59	4162.467	THERMOSTAT CAP	
60	4161.400	CONNECTION PLUG	
61	4160.647	THERMOSTAT SOCKET 90°	
62	4260.105	FUEL GAUGE	
63	4165.204	ROCKER SWITCH	
64	4033.251	BOARD BUTTON CAP	
71	4111.081	COUPLING	
72	4111.042	PUMP	
73	4161.501	CONN. STRAIGHT 1/8"	
74	4033.198	ELBOW 1/8"	
75	4033.186	OIL SUPPLY PIPE	
76	4033.311	PUMP POWER CORD	
77	4033.246	PHOTOCELL	
80	4033.034	BURNER FLANGE	
81	4031.020	NOZZLE	
82	4033.071	TURBO DISC	
83	4032.454	M6 NUT	
84	4032.545	AIR REGULATION FLAP	
86	4031.047	LIMIT THERMOSTAT	
87	4111.826	ELECTRODE	

## RECOMMENDED SPARE PARTS

POS.	Code NR	Description	Rev. G - Apr. 2016
5	4032.371	MOTOR	
38	4111.116	OR KIT FILTER	
39	4031.494	FILTER CARTIDGE	
45	4110.490	HT CABLE	
47	4031.541	TRANSFORMER HT	
49	4032.774	CONTROL BOX	
51	4111.032	RELAY	
52	4111.040	FUSE	
59	4162.467	THERMOSTAT CAP	
71	4111.081	COUPLING	
72	4111.042	PUMP	
76	4033.311	PUMP POWER CORD	
77	4033.246	PHOTOCELL	
81	4031.020	NOZZLE	
86	4031.047	LIMIT THERMOSTAT	
87	4111.826	ELECTRODE	

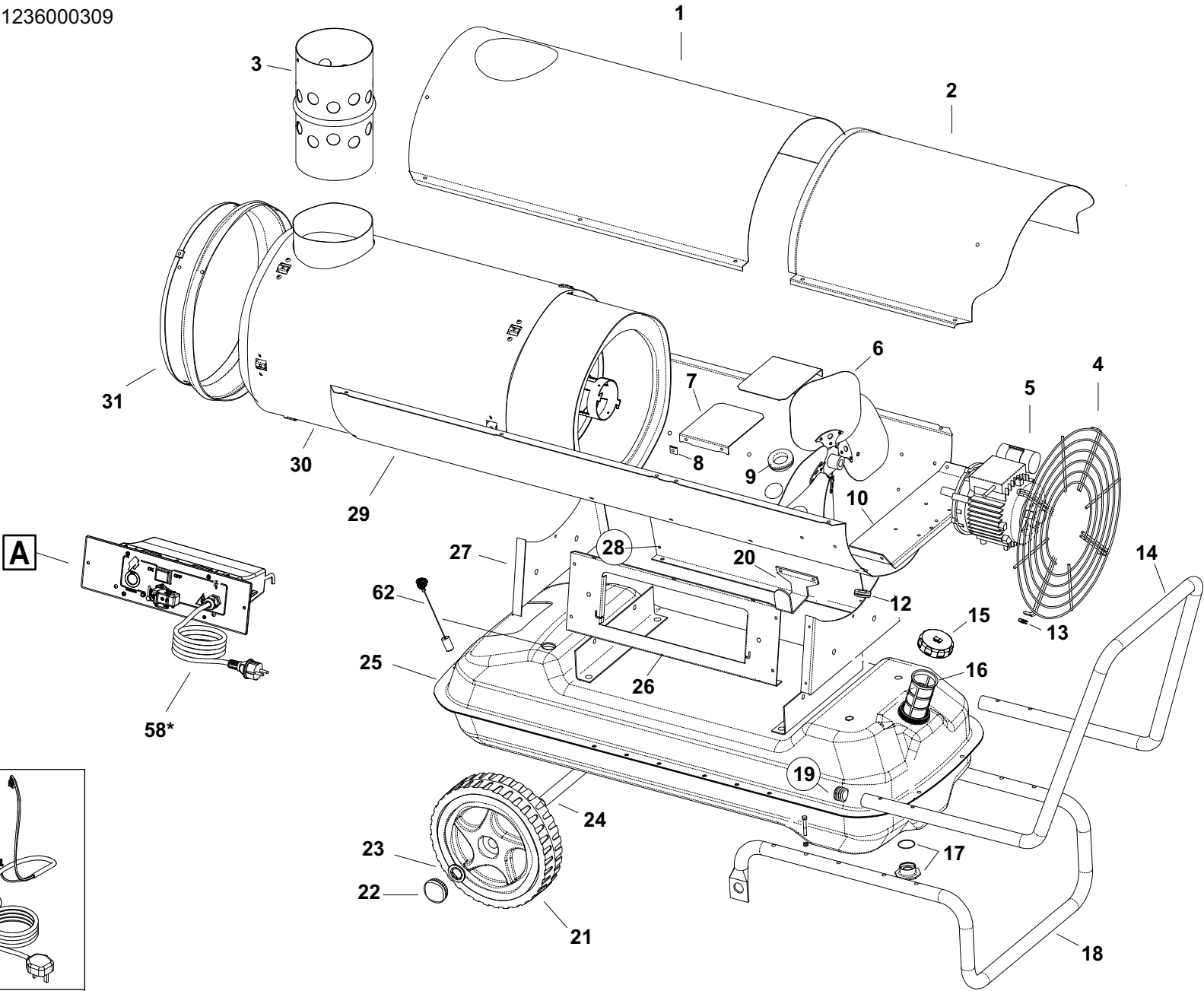
# MODEL BV110 E

UNIT 1

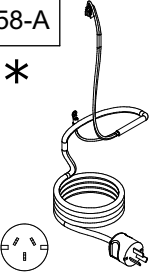
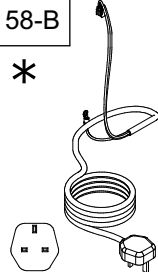


ILLUSTRATED PARTS BREAKDOWN

From Serial Number: 11235001117  
Until Serial Number: 11236000309

Rev.F - SEPT. 2015



**A**

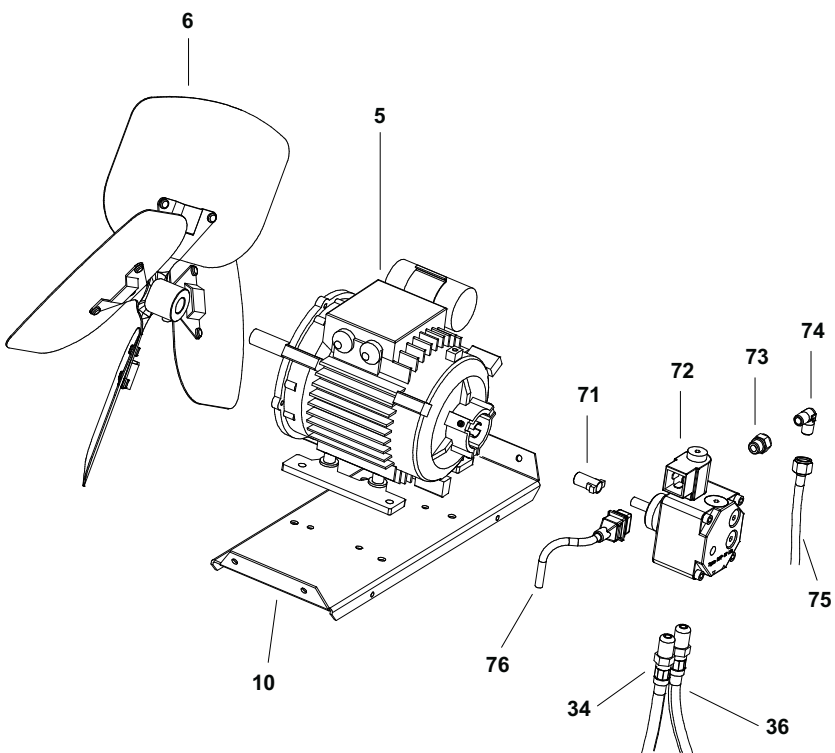
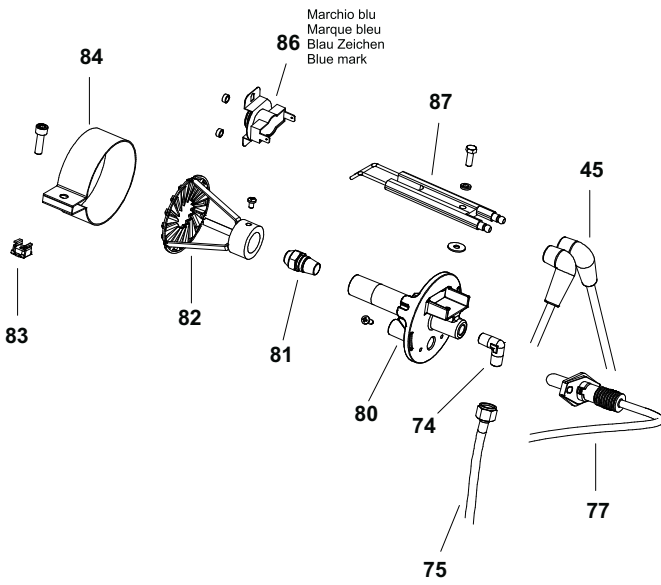
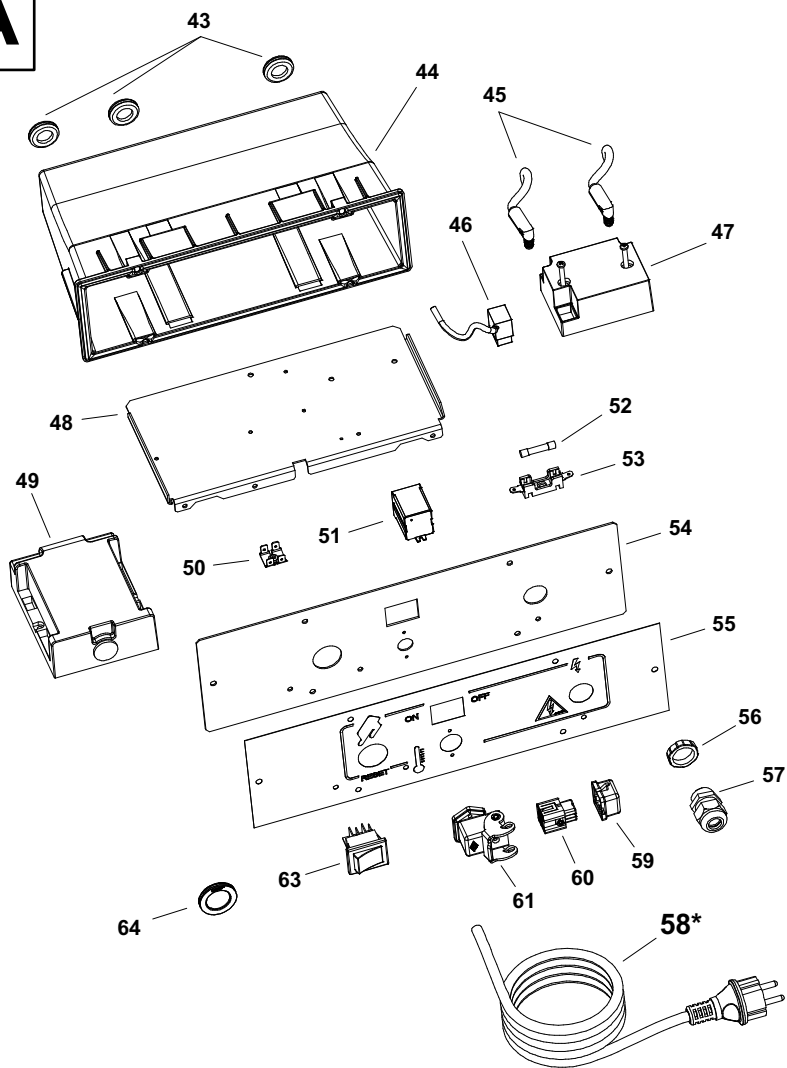
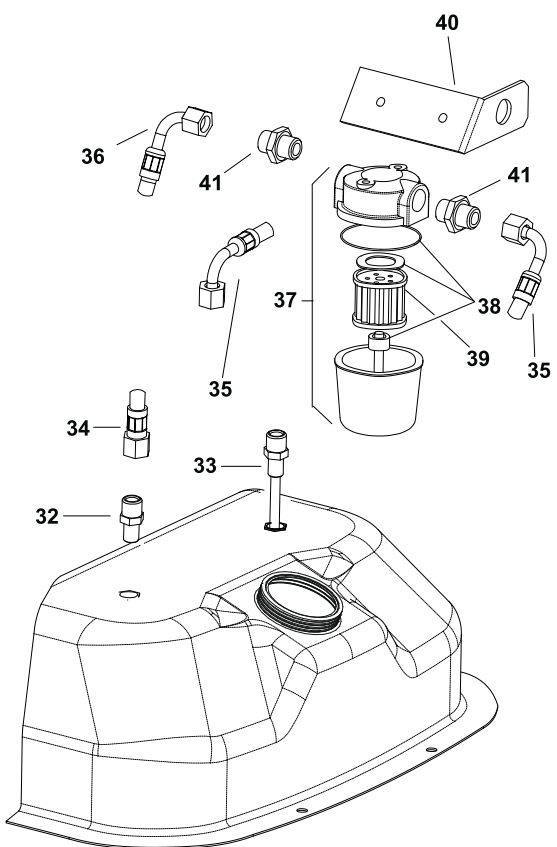
58-A		58-B	
*		*	
			
POWER CORD NEW ZEALAND		POWER CORD UK	

# MODEL BV110 E

UNIT 2

ILLUSTRATED PARTS BREAKDOWN

**A**



Marchio blu  
Marque bleu  
Blau Zeichen  
Blue mark

# MODEL BV110 E

UNIT 3

PARTS LIST

POS.	Code NR	Description	Rev. F - SEPT. 2015
1	4032.654	UPPER BODY	
2	4032.548	UPPER BODY MOBILE	
3	4032.385	CHIMNEY	
4	4032.557	INLET GRILLE	
5	4032.371	MOTOR	
6	4033.030	FAN	
7	4032.554	AIR FLAP	
8	4104.170	CLIP NUT	
9	4111.056	PROTECTION CLABLE	
10	4032.555	MOTOR FLANGE	
12	4160.646	PROTECTION CLABLE	
13	4111.241	ELASTIC PLATE	
14	4032.568	HANDLE FRAME	
15	4260.100	TANK CAP	
16	4290.213	TANK FILTER	
17	4100.632	DRAIN PLUG	
18	4032.564	FOOT FRAME	
19	4111.057	PLUG	
20	4032.536	POWER CORD HOOK	
21	4032.094	WHEEL Ø 250	
22	4111.480	WHEEL PLUG	
23	4111.072	WHEEL HOLDER Ø 20	
24	4032.566	AXLE	
25	4033.242	FUEL TANK	
26	4032.558	ELECTR. COMPONENTS DRAWER PANEL	
27	4033.095	BASE	
28	4032.560	SIDE PANEL	
29	4111.625	LOWER BODY	
30	4033.183	COMBUSTION CHAMBER	
31	4031.659	OUTLET CONE	
32	4031.068	CONN. STRAIGHT 1/4"	
33	4031.067	PIPE CONNECTION 1/4"	
34	4031.062	FUEL PIPE PUMP-TANK	
35	4031.063	FUEL PIPE TANK-FILTER	
36	4031.061	FUEL PIPE FILTER-PUMP	
37	4033.090	FILTER CARTIDGE 3/8"	
38	4111.116	OR KIT FILTER	
39	4031.494	FILTER CARTIDGE	
40	4032.437	FILTER SUPPORT	
41	4031.064	DOUBLE SCREW	
43	4160.646	PROTECTION CABLE	
44	4033.257	PLASTIX BOX	
45	4110.490	HT CABLE	
46	4033.256	POWER CORD TRANSFORMATOR HT	
47	4031.541	TRANSFORMER HT	
48	4033.249	CONTROL BASE	
49	4033.330	CONTROL BOX	
50	4160.639	POP RIVET 4 WAY	
51	4111.032	RELAY	
52	4111.040	FUSE	
53	4033.301	FUSE HOLDER	
54	4033.248	FRONTAL CONTROLS PANEL	
55	4033.254	PANEL LABEL	
56	4100.656	LOCKNUT	
57	4150.528	STRAIN RELIEF BUSHING	

ESP00138

# MODEL BV110 E

## UNIT 4

## PARTS LIST

POS.	Code NR	Description	Rev. F - SEPT. 2015
58	4033.253	POWER CORD SCHUKO	
58-A	4033.252	POWER CORD NEW ZEALAND	
58-B	4033.302	POWER CORD UK	
59	4162.467	THERMOSTAT CAP	
60	4161.400	CONNECTION PLUG	
61	4160.647	THERMOSTAT SOCKET 90°	
62	4260.105	FUEL GAUGE	
63	4165.204	ROCKER SWITCH	
64	4033.251	BOARD BUTTON CAP	
71	4111.081	COUPLING	
72	4111.042	PUMP	
73	4161.501	CONN. STRAIGHT 1/8"	
74	4033.198	ELBOW 1/8"	
75	4033.186	OIL SUPPLY PIPE	
76	4033.311	PUMP POWER CORD	
77	4033.246	PHOTOCELL	
80	4033.034	BURNER FLANGE	
81	4031.020	NOZZLE	
82	4033.071	TURBO DISC	
83	4032.454	M6 NUT	
84	4032.545	AIR REGULATION FLAP	
86	4031.047	LIMIT THERMOSTAT	
87	4111.826	ELECTRODE	

## RECOMMENDED SPARE PARTS

POS.	Code NR	Description	Rev. F - SEPT. 2015
5	4032.371	MOTOR	
38	4111.116	OR KIT FILTER	
39	4031.494	FILTER CARTIDGE	
45	4110.490	HT CABLE	
<b>47</b>	4031.541	TRANSFORMER HT	
<b>49</b>	4033.330	CONTROL BOX	
51	4111.032	RELAY	
52	4111.040	FUSE	
59	4162.467	THERMOSTAT CAP	
71	4111.081	COUPLING	
72	4111.042	PUMP	
76	4033.311	PUMP POWER CORD	
77	4033.246	PHOTOCELL	
81	4031.020	NOZZLE	
86	4031.047	LIMIT THERMOSTAT	
87	4111.826	ELECTRODE	



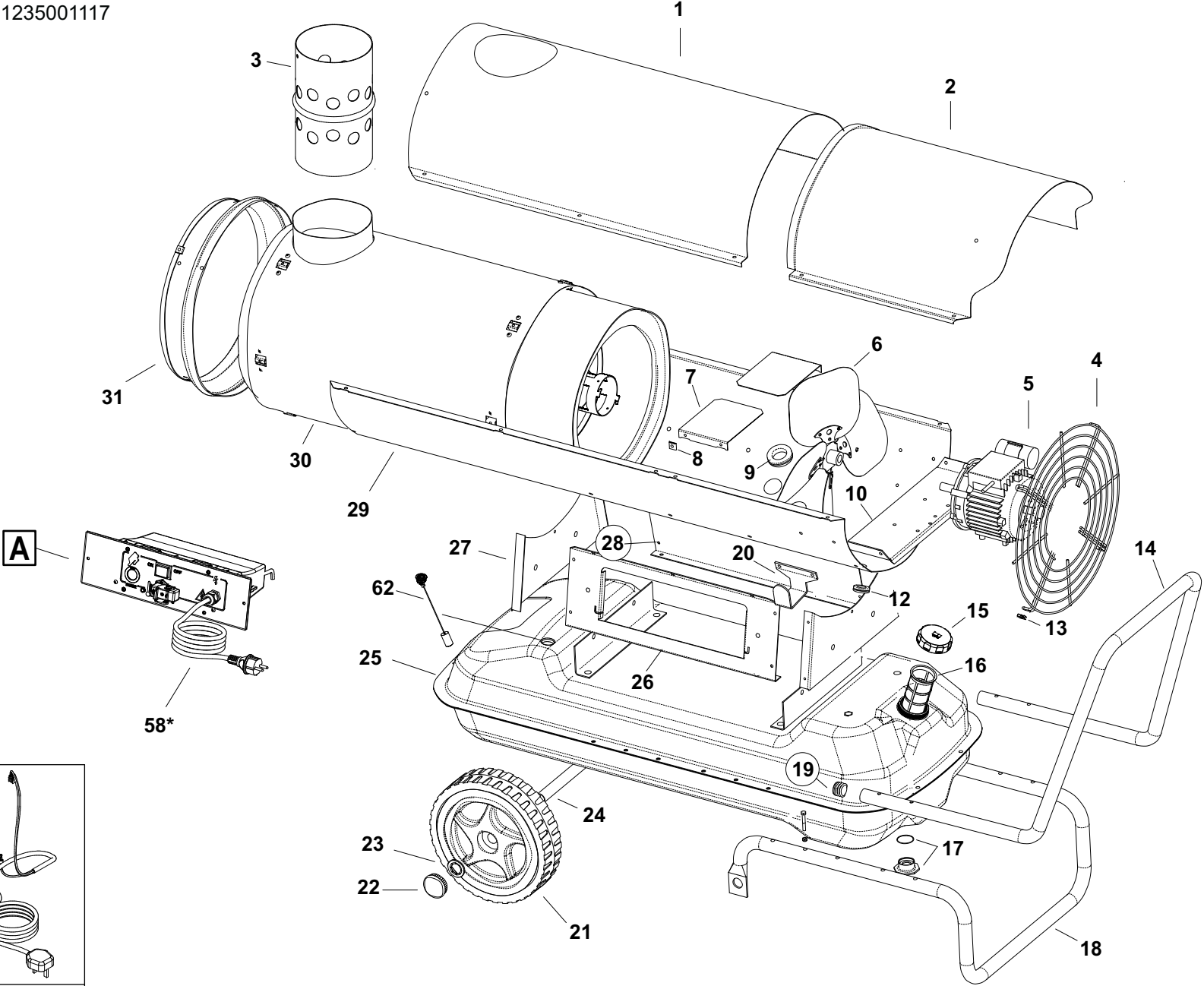
# MODEL BV110 E




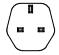
UNIT 1

ILLUSTRATED PARTS BREAKDOWN

From Serial Number: 234000388  
Until Serial Number: 11235001117

Rev.E - June 2014



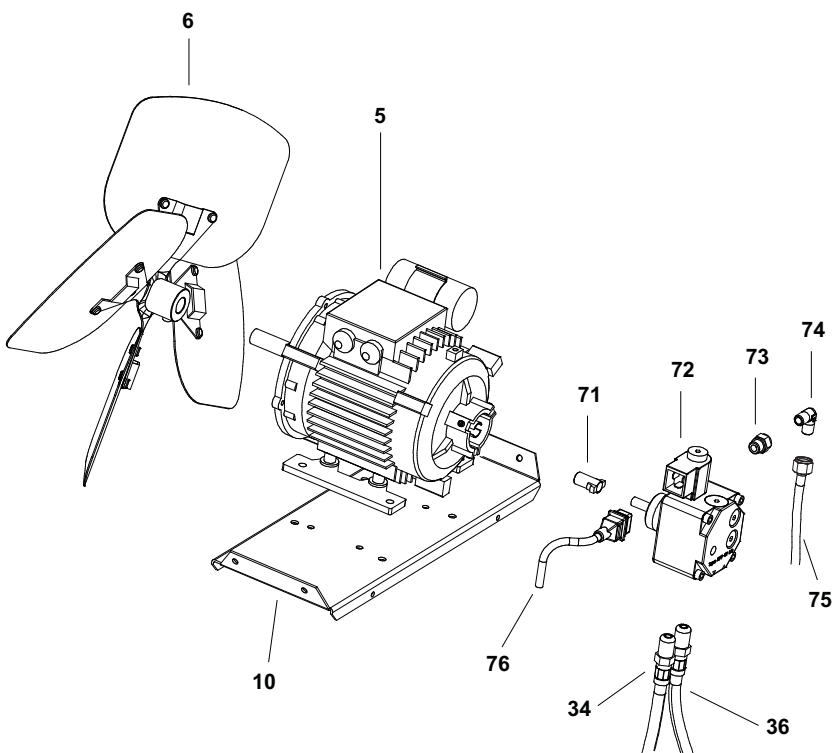
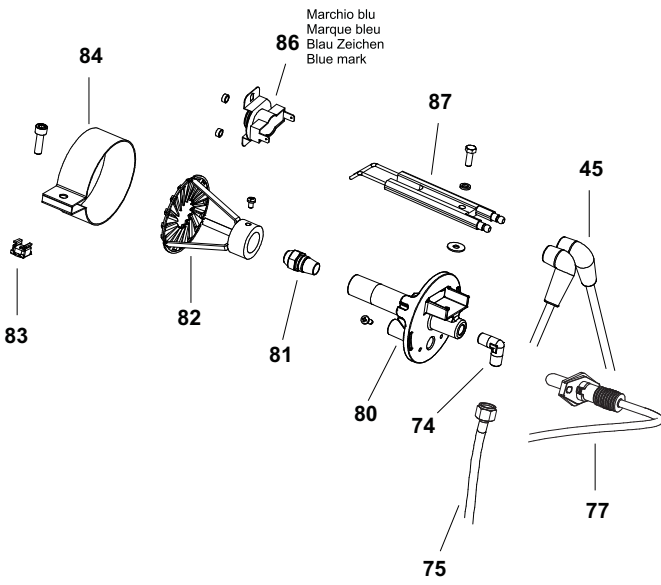
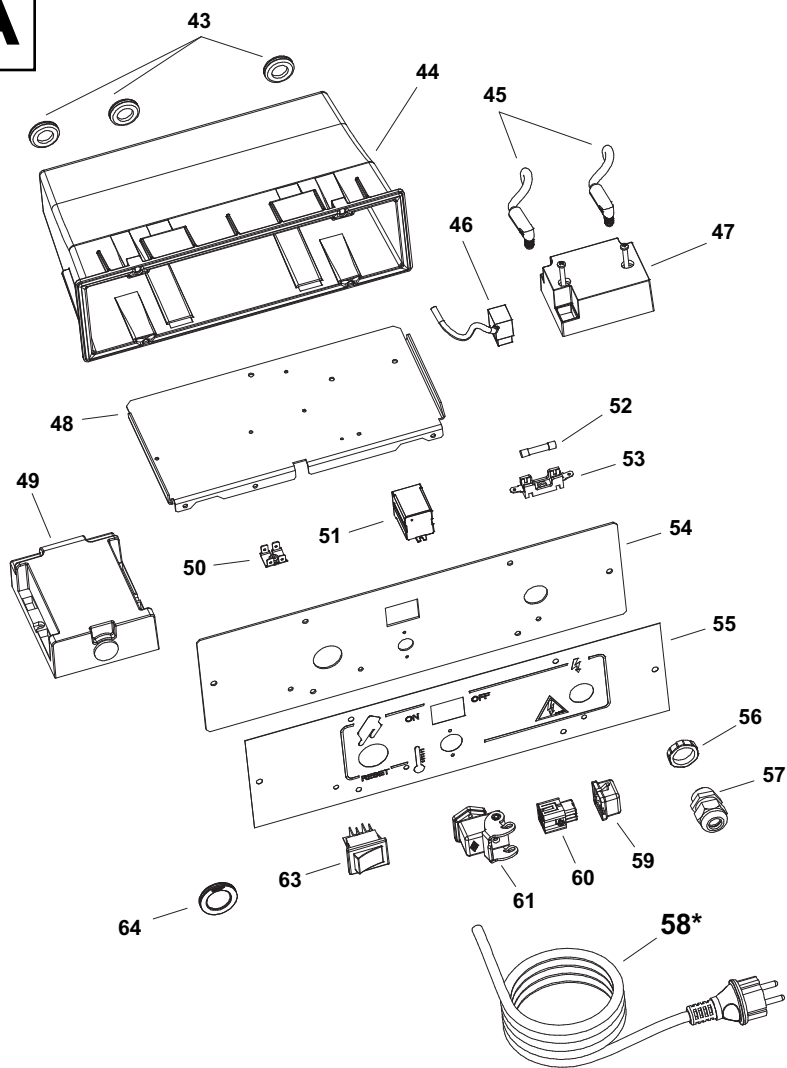
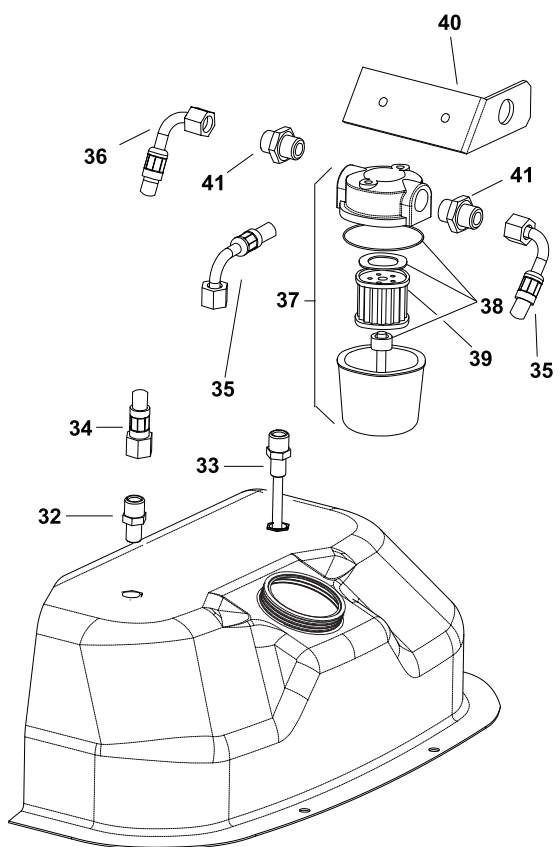
58-A		58-B	
*		*	
			
POWER CORD NEW ZEALAND		POWER CORD UK	

# MODEL BV110 E

UNIT 2

ILLUSTRATED PARTS BREAKDOWN

**A**



# MODEL BV110 E

UNIT 3

PARTS LIST

POS.	Code NR	Description	Rev. E - June 2014
1	4032.654	UPPER BODY	
2	4032.548	UPPER BODY MOBILE	
3	4032.385	CHIMNEY	
4	4032.557	INLET GRILLE	
5	4032.371	MOTOR	
6	4033.030	FAN	
7	4032.554	AIR FLAP	
8	4104.170	CLIP NUT	
9	4111.056	PROTECTION CLABLE	
10	4032.555	MOTOR FLANGE	
12	4160.646	PROTECTION CLABLE	
13	4111.241	ELASTIC PLATE	
14	4032.568	HANDLE FRAME	
15	4260.100	TANK CAP	
16	4290.083	TANK FILTER	
17	4100.632	DRAIN PLUG	
18	4032.564	FOOT FRAME	
19	4111.057	PLUG	
20	4032.536	POWER CORD HOOK	
21	4032.094	WHEEL Ø 250	
22	4111.480	WHEEL PLUG	
23	4111.072	WHEEL HOLDER Ø 20	
24	4032.566	AXLE	
25	4033.242	FUEL TANK	
26	4032.558	ELECTR. COMPONENTS DRAWER PANEL	
27	4033.095	BASE	
28	4032.560	SIDE PANEL	
29	4111.625	LOWER BODY	
30	4033.183	COMBUSTION CHAMBER	
31	4031.659	OUTLET CONE	
32	4031.068	CONN. STRAIGHT 1/4"	
33	4031.067	PIPE CONNECTION 1/4"	
34	4031.062	FUEL PIPE PUMP-TANK	
35	4031.063	FUEL PIPE TANK-FILTER	
36	4031.061	FUEL PIPE FILTER-PUMP	
37	4033.090	FILTER CARTIDGE 3/8"	
38	4111.116	OR KIT FILTER	
39	4031.494	FILTER CARTIDGE	
40	4032.437	FILTER SUPPORT	
41	4031.064	DOUBLE SCREW	
43	4160.646	PROTECTION CABLE	
44	4033.257	PLASTIX BOX	
45	4110.490	HT CABLE	
46	4033.256	POWER CORD TRANSFORMATOR HT	
47	4031.541	TRANSFORMER HT	
48	4033.249	CONTROL BASE	
49	4033.330	CONTROL BOX	
50	4160.639	POP RIVET 4 WAY	
51	4111.032	RELAY	
52	4111.040	FUSE	
53	4033.301	FUSE HOLDER	
54	4033.248	FRONTAL CONTROLS PANEL	
55	4033.254	PANEL LABEL	
56	4100.656	LOCKNUT	
57	4150.528	STRAIN RELIEF BUSHING	

ESP00138

# MODEL BV110 E

## UNIT 4

## PARTS LIST

POS.	Code NR	Description	Rev. E - June 2014
58	4033.253	POWER CORD SCHUKO	
58-A	4033.252	POWER CORD NEW ZEALAND	
58-B	4033.302	POWER CORD UK	
59	4162.467	THERMOSTAT CAP	
60	4161.400	CONNECTION PLUG	
61	4160.647	THERMOSTAT SOCKET 90°	
62	4260.105	FUEL GAUGE	
63	4165.204	ROCKER SWITCH	
64	4033.251	BOARD BUTTON CAP	
71	4111.081	COUPLING	
72	4111.042	PUMP	
73	4161.501	CONN. STRAIGHT 1/8"	
74	4033.198	ELBOW 1/8"	
75	4033.186	OIL SUPPLY PIPE	
76	4033.087	PUMP POWER CORD	
77	4033.246	PHOTOCELL	
80	4033.034	BURNER FLANGE	
81	4031.020	NOZZLE	
82	4033.071	TURBO DISC	
83	4032.454	M6 NUT	
84	4032.545	AIR REGULATION FLAP	
86	4031.047	LIMIT THERMOSTAT	
87	4111.826	ELECTRODE	

## RECOMMENDED SPARE PARTS

POS.	Code NR	Description	Rev. E - June 2014
5	4032.371	MOTOR	
38	4111.116	OR KIT FILTER	
39	4031.494	FILTER CARTIDGE	
45	4110.490	HT CABLE	
<b>47</b>	4031.541	TRANSFORMER HT	
<b>49</b>	4033.330	CONTROL BOX	
51	4111.032	RELAY	
52	4111.040	FUSE	
59	4162.467	THERMOSTAT CAP	
71	4111.081	COUPLING	
72	4111.042	PUMP	
76	4033.087	PUMP POWER CORD	
77	4033.246	PHOTOCELL	
81	4031.020	NOZZLE	
86	4031.047	LIMIT THERMOSTAT	
87	4111.826	ELECTRODE	

# MODEL BV110 E

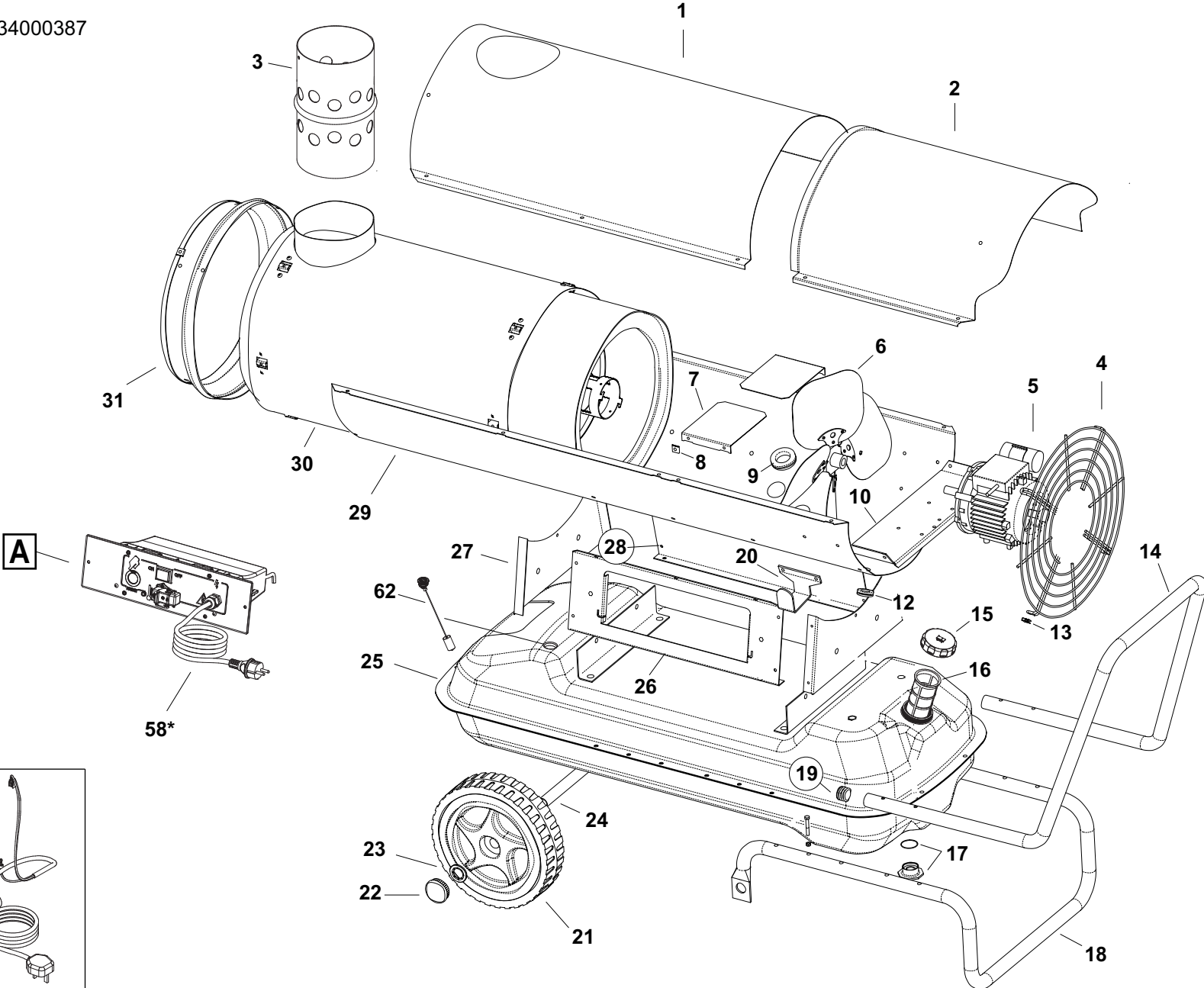
## UNIT 1

## ILLUSTRATED PARTS BREAKDOWN

From Serial Number: 233000649

Rev.D - May 2013

Until Serial Number: 234000387



**A**

58\*

58-A	58-B
POWER CORD NEW ZEALAND	POWER CORD UK

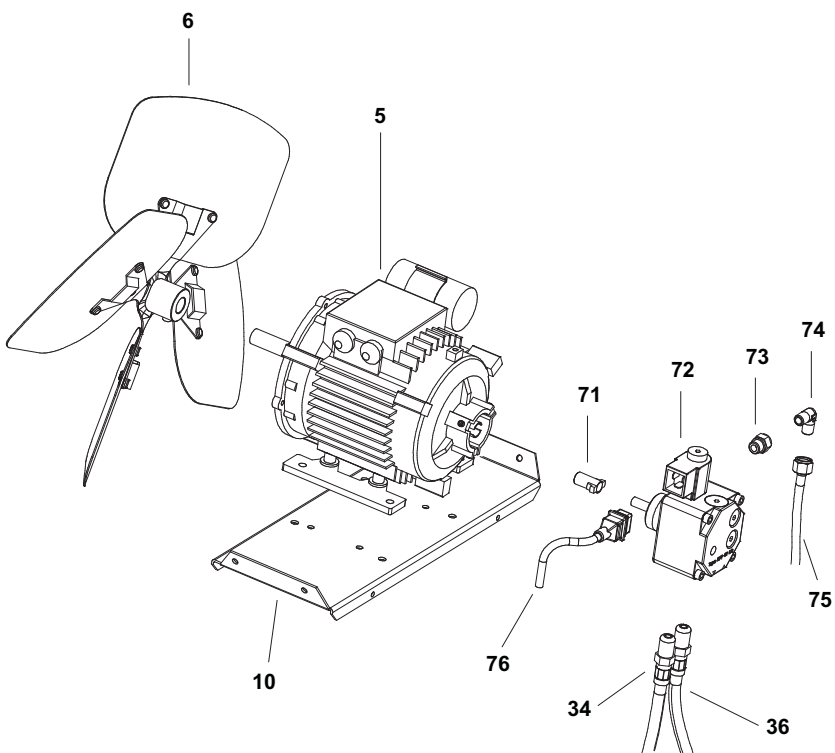
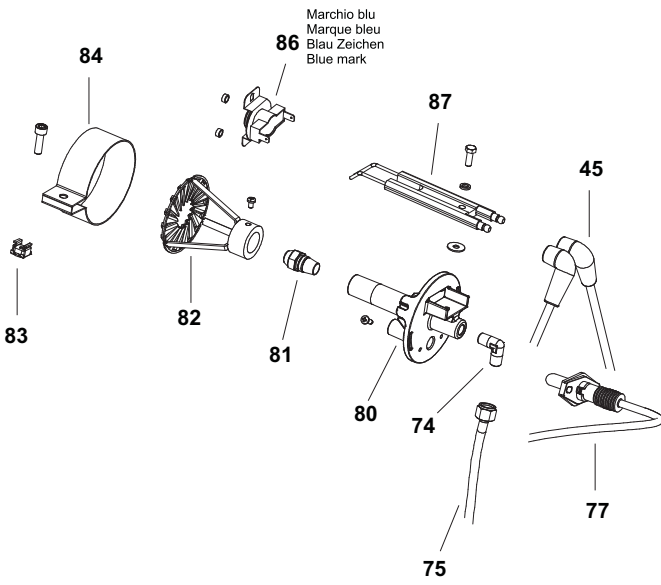
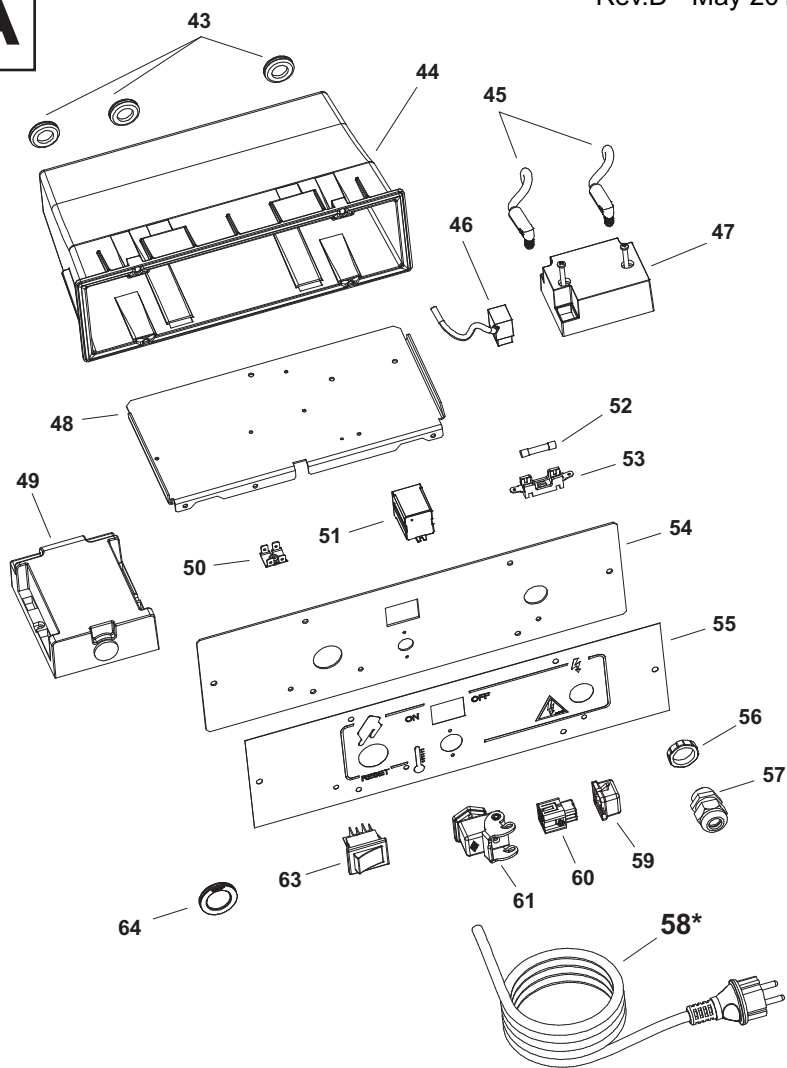
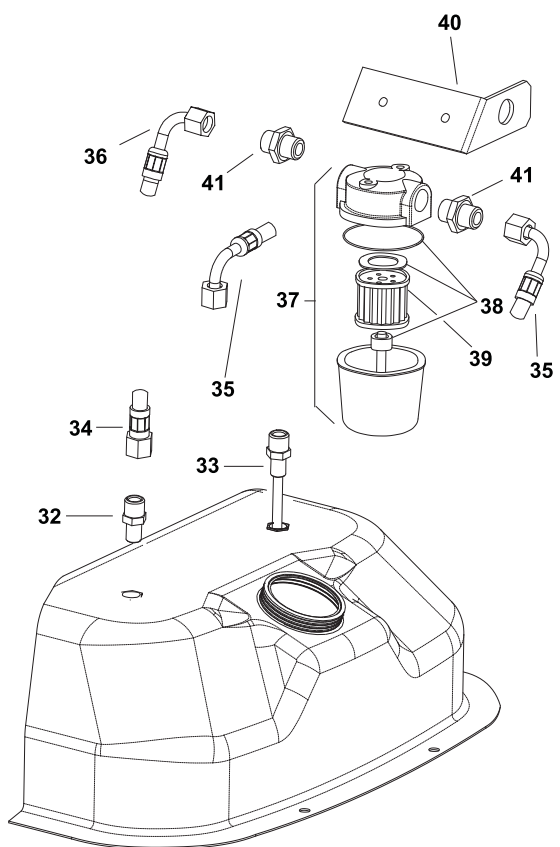
# MODEL BV110 E

UNIT 2

ILLUSTRATED PARTS BREAKDOWN

Rev.D - May 2013

**A**



# MODEL BV110 E

UNIT 3

PARTS LIST

POS.	Code NR	Description	Rev. D - May 2013
1	4032.654	UPPER BODY	
2	4032.548	UPPER BODY MOBILE	
3	4032.385	CHIMNEY	
4	4032.557	INLET GRILLE	
5	4032.371	MOTOR	
6	4033.030	FAN	
7	4032.554	AIR FLAP	
8	4104.170	CLIP NUT	
9	4111.056	PROTECTION CLABLE	
10	4032.555	MOTOR FLANGE	
12	4160.646	PROTECTION CLABLE	
13	4111.241	ELASTIC PLATE	
14	4032.568	HANDLE FRAME	
15	4260.100	TANK CAP	
16	4290.083	TANK FILTER	
17	4100.632	DRAIN PLUG	
18	4032.564	FOOT FRAME	
19	4111.057	PLUG	
20	4032.536	POWER CORD HOOK	
21	4032.094	WHEEL Ø 250	
22	4111.480	WHEEL PLUG	
23	4111.072	WHEEL HOLDER Ø 20	
24	4032.566	AXLE	
25	4033.242	FUEL TANK	
26	4032.558	ELECTR. COMPONENTS DRAWER PANEL	
27	4033.095	BASE	
28	4032.560	SIDE PANEL	
29	4111.625	LOWER BODY	
30	4033.183	COMBUSTION CHAMBER	
31	4031.659	OUTLET CONE	
32	4031.068	CONN. STRAIGHT 1/4"	
33	4031.067	PIPE CONNECTION 1/4"	
34	4031.062	FUEL PIPE PUMP-TANK	
35	4031.063	FUEL PIPE TANK-FILTER	
36	4031.061	FUEL PIPE FILTER-PUMP	
37	4033.090	FILTER CARTIDGE 3/8"	
38	4111.116	OR KIT FILTER	
39	4031.494	FILTER CARTIDGE	
40	4032.437	FILTER SUPPORT	
41	4031.064	DOUBLE SCREW	
43	4160.646	PROTECTION CABLE	
44	4033.257	PLASTIX BOX	
45	4110.490	HT CABLE	
46	4033.256	POWER CORD TRANSFORMATOR HT	
47	4106.238	KIT TRANSFORMER HT	
48	4033.249	CONTROL BASE	
49	4033.250	CONTROL BOX	
50	4160.639	POP RIVET 4 WAY	
51	4111.032	RELAY	
52	4111.040	FUSE	
53	4033.301	FUSE HOLDER	
54	4033.248	FRONTAL CONTROLS PANEL	
55	4033.254	PANEL LABEL	
56	4100.656	LOCKNUT	
57	4150.528	STRAIN RELIEF BUSHING	

ESP00138

# MODEL BV110 E

## UNIT 4

## PARTS LIST

POS.	Code NR	Description	Rev. D - May 2013
58	4033.253	POWER CORD SCHUKO	
58-A	4033.252	POWER CORD NEW ZEALAND	
58-B	4033.302	POWER CORD UK	
59	4162.467	THERMOSTAT CAP	
60	4161.400	CONNECTION PLUG	
61	4160.647	THERMOSTAT SOCKET 90°	
62	4260.105	FUEL GAUGE	
63	4165.204	ROCKER SWITCH	
64	4033.251	BOARD BUTTON CAP	
71	4111.081	COUPLING	
72	4111.042	PUMP	
73	4161.501	CONN. STRAIGHT 1/8"	
74	4033.198	ELBOW 1/8"	
75	4033.186	OIL SUPPLY PIPE	
76	4033.087	PUMP POWER CORD	
77	4033.246	PHOTOCELL	
80	4033.034	BURNER FLANGE	
81	4031.020	NOZZLE	
82	4033.071	TURBO DISC	
83	4032.454	M6 NUT	
84	4032.545	AIR REGULATION FLAP	
86	4031.047	LIMIT THERMOSTAT	
87	4111.826	ELECTRODE	

## RECOMMENDED SPARE PARTS

POS.	Code NR	Description	Rev. D - May 2013
5	4032.371	MOTOR	
38	4111.116	OR KIT FILTER	
39	4031.494	FILTER CARTIDGE	
45	4110.490	HT CABLE	
49	4033.250	CONTROL BOX	
51	4031.514	RELAY	
52	4111.040	FUSE	
59	4162.467	THERMOSTAT CAP	
71	4111.081	COUPLING	
72	4111.042	PUMP	
76	4033.087	PUMP POWER CORD	
77	4033.246	PHOTOCELL	
81	4031.020	NOZZLE	
86	4031.047	LIMIT THERMOSTAT	
87	4111.826	ELECTRODE	



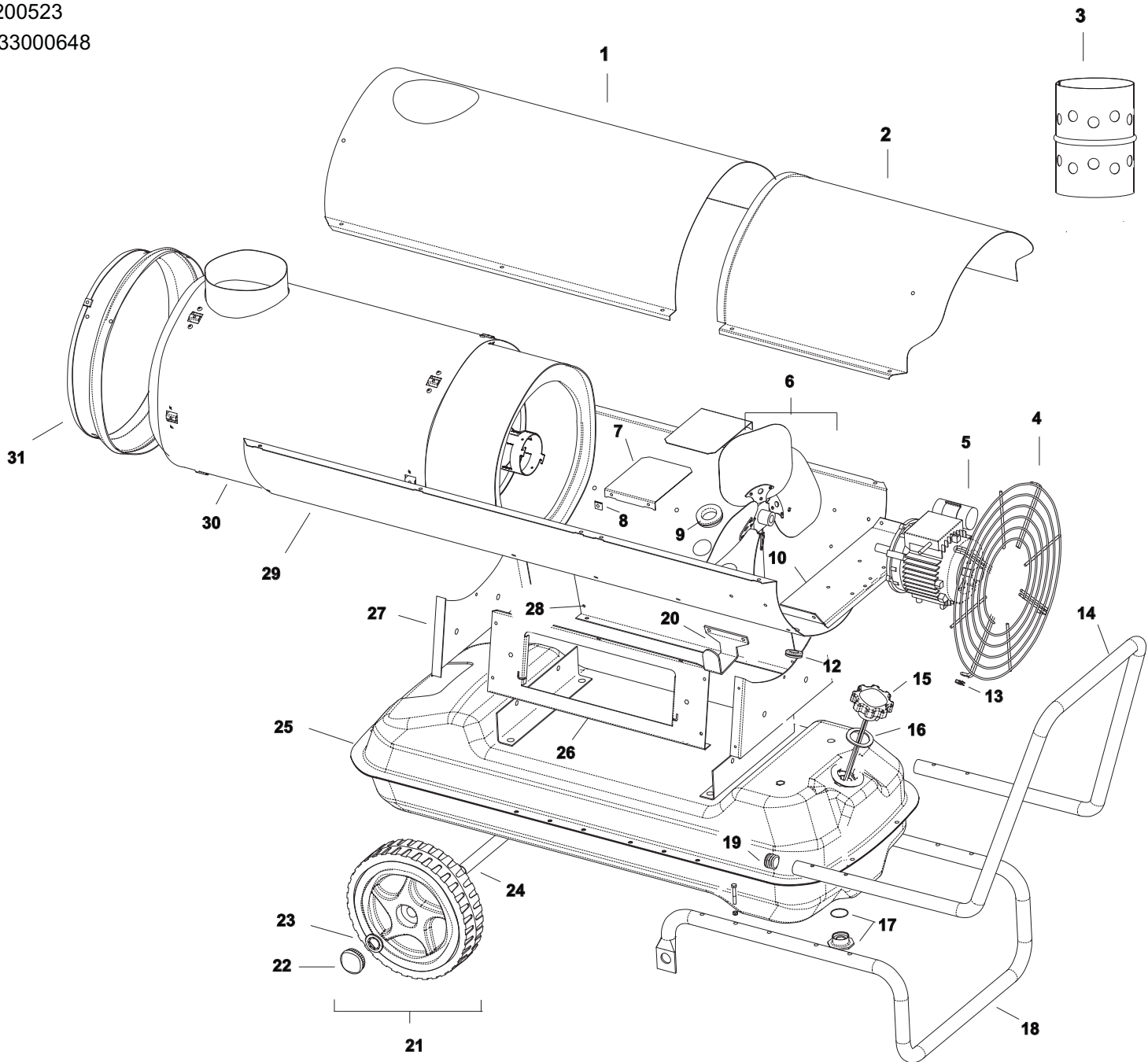
# MODEL BV110 E

UNIT 1

ILLUSTRATED PARTS BREAKDOWN

From Serial Number: 32200523  
Until Serial Number: 09233000648

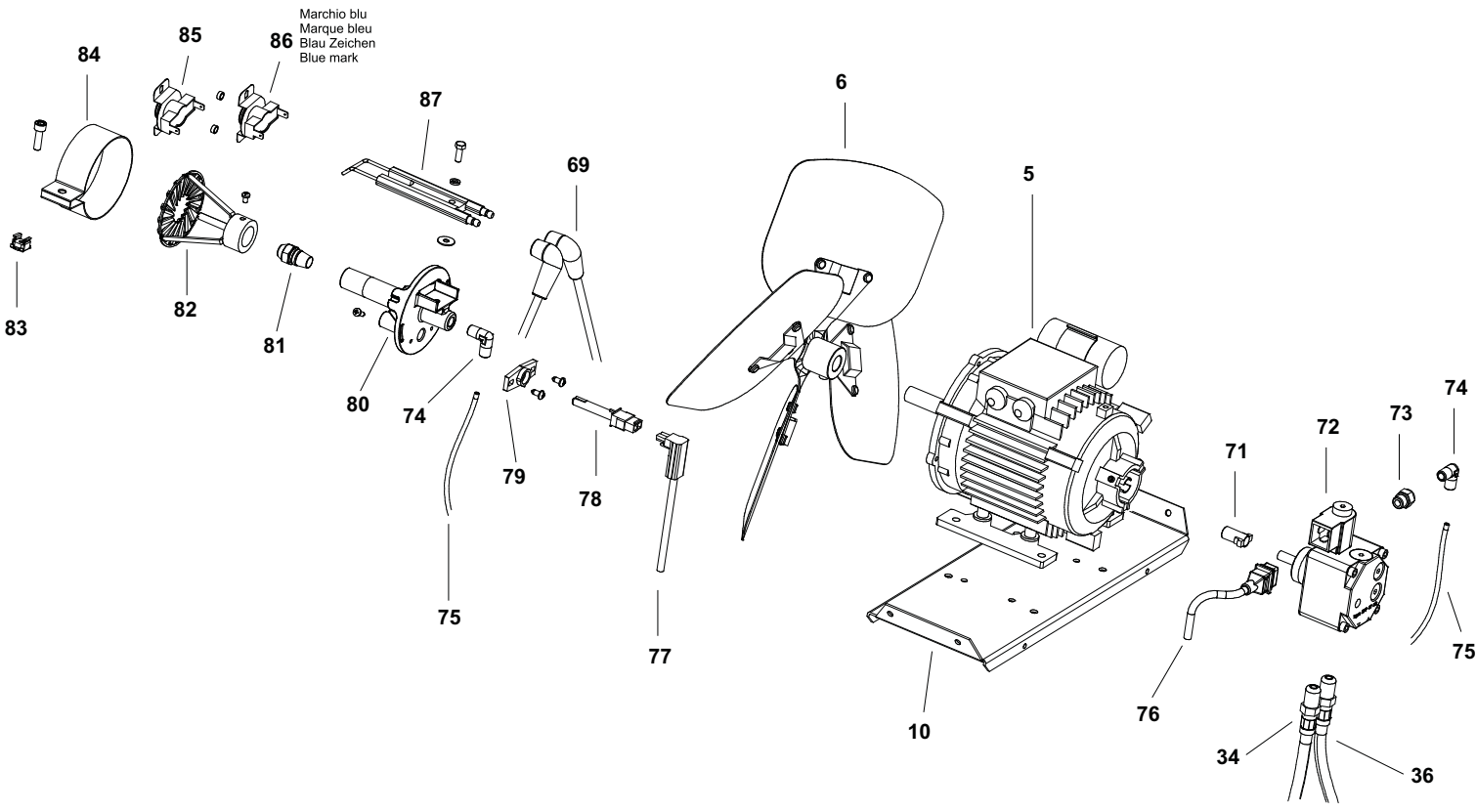
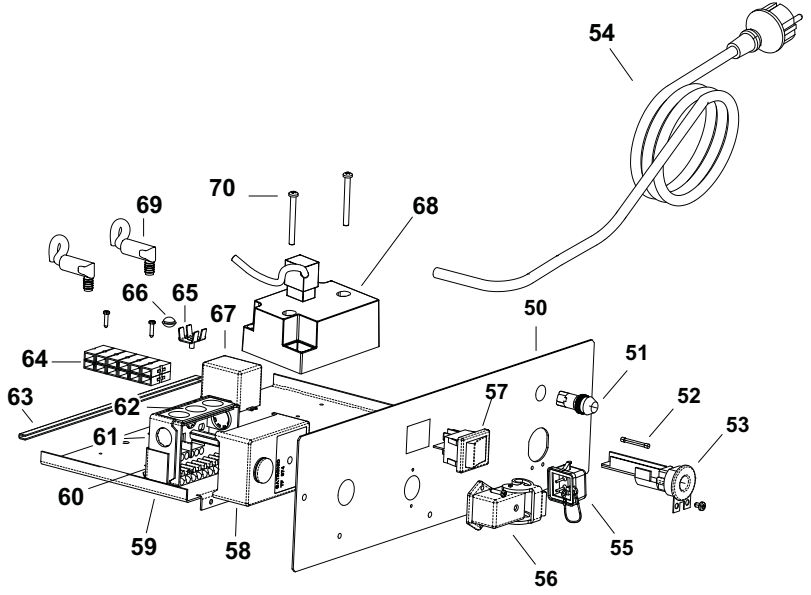
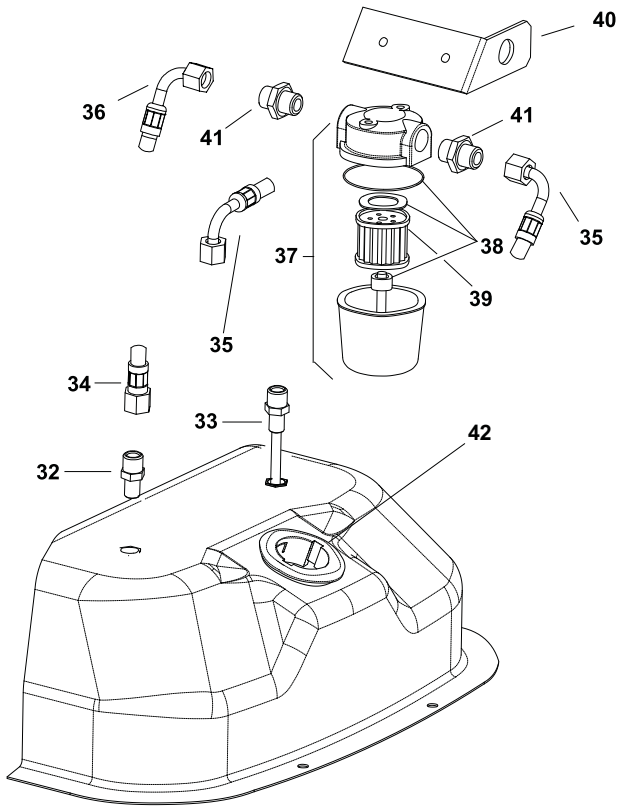
Rev.C - May 2012



# MODEL BV110 E

UNIT 2

ILLUSTRATED PARTS BREAKDOWN



# MODEL BV110 E

## UNIT 3

## PARTS LIST

POS.	Code NR	Description	Rev. C - May 2012
1	4032.654	UPPER BODY	
2	4032.548	UPPER BODY MOBILE	
3	4032.385	CHIMNEY	
4	4032.557	INLET GRILLE	
5	4032.371	MOTOR 2P 230V/50 450 W	
6	4033.030	FAN	
7	4032.554	AIR FLAP	
8	4104.170	CLIP NUT	
9	4111.056	PROTECTION CLABLE	
10	4032.555	MOTOR FLANGE	
12	4160.646	PROTECTION CLABLE	
13	4111.241	ELASTIC PLATE	
14	4032.568	HANDLE FRAME	
15	4032.475	FUEL LEVEL PROBE	
16	4032.537	TANK PLUG SEAL	
17	4100.632	DRAIN PLUG	
18	4032.564	FOOT FRAME	
19	4111.057	PLUG	
20	4032.536	POWER CORD HOOK	
21	4032.094	WHEEL Ø 250	
22	4111.480	WHEEL PLUG	
23	4111.072	WHEEL HOLDER Ø 20	
24	4032.566	AXLE	
25	4033.091	FUEL TANK	
26	4032.558	ELECTR. COMPONENTS DRAWER PANEL	
27	4033.095	BASE	
28	4032.560	SIDE PANEL	
29	4111.625	LOWER BODY	
30	4033.183	COMBUSTION CHAMBER	
31	4032.544	OUTLET CONE	
32	4031.068	CONN. STRAIGHT 1/4"	
33	4031.067	PIPE CONNECTION 1/4"	
34	4031.062	FUEL PIPE PUMP-TANK	
35	4031.063	FUEL PIPE TANK-FILTER	
36	4031.061	FUEL PIPE FILTER-PUMP	
37	4033.090	FILTER CARTIDGE 3/8"	
38	4111.116	OR KIT FILTER	
39	4031.494	FILTER CARTIDGE	
40	4032.437	FILTER SUPPORT	
41	4031.064	DOUBLE SCREW	
42	4032.472	NECK PLASTIC FILLER	
50	4032.446	ELECTR. COMPONENTS DRAWER	
51	4117.058	PILOT LAMP 230V	
52	4111.040	FUSE (6,3X32) 10A	
53	4111.038	CABLE FASTENER	
54	4111.153	POWER CORD HOOK	
55	4162.467	THERMOSTAT PLUG	
56	4111.119	PLATE PLUG	
57	4160.637	SWITCH	
58	4110.968	CONTROL BOX	
59	4032.448	ELECTR. COMPONENTS BASE	
60	4032.499	CONTROL BOX SUPPORT	
61	4110.969	CONTROL BOX BASE	
62	4110.967	SUPPORT PG PHOTOCCELL	
63	4110.155	EDGE LINER	
64	4111.033	TERMINAL BOARD	

# MODEL BV110 E

## UNIT 4

## PARTS LIST

POS.	Code NR	Description	Rev. C - May 2012
65	4160.639	POP RIVET	
66	4032.450	PLASTIC PIN	
67	4111.032	RELAY FINDER	
68	4111.890	KIT TRANSFORMER	
69	4110.490	H.T. CABLE	
70	4160.421	M4 SCREW	
71	4111.081	COUPLING SIMEL	
72	4111.042	PUMP DANFOSS	
73	4161.501	CONN. STRAIGHT 1/8"	
74	4033.198	ELBOW 1/8"	
75	4033.186	OIL SUPPLY PIPE	
76	4033.087	PUMP POWER CORD	
77	4110.970	PHOTOCELL CONN. CLABE	
78	4110.966	PHOTOCELL	
79	4111.076	PHOTOCELL BLOCK BRACKET	
80	4033.034	BURNER FLANGE	
81	4031.020	NOZZLE 0,65 GHP 80°	
82	4033.071	TURBO DISC	
83	4032.454	M6 NUT	
84	4032.545	AIR REGULATION FLAP	
85	4031.045	FAN THERMOSTAT	
86	4031.047	LIMIT THERMOSTAT	
87	4111.826	ELECTRODE	

## RECOMMENDED SPARE PARTS

POS.	Code NR	Description	Rev. C - May 2012
5	4032.371	MOTOR 2P 230V/50 450 W	
38	4111.116	OR KIT FILTER	
39	4031.494	FILTER CARTIDGE	
52	4111.040	FUSE (6,3X32) 10A	
55	4162.467	THERMOSTAT PLUG	
56	4111.119	PLATE PLUG	
58	4110.968	CONTROL BOX	
67	4111.032	RELAY FINDER	
68	4111.890	KIT TRANSFORMER	
69	4110.490	H.T. CABLE	
71	4111.081	COUPLING SIMEL	
72	4111.042	PUMP DANFOSS	
76	4033.087	PUMP POWER CORD	
77	4110.970	PHOTOCELL CONN. CLABE	
78	4110.966	PHOTOCELL	
81	4031.020	NOZZLE 0,65 GHP 80°	
85	4031.045	FAN THERMOSTAT	
87	4111.826	ELECTRODE	
86	4031.047	LIMIT THERMOSTAT	

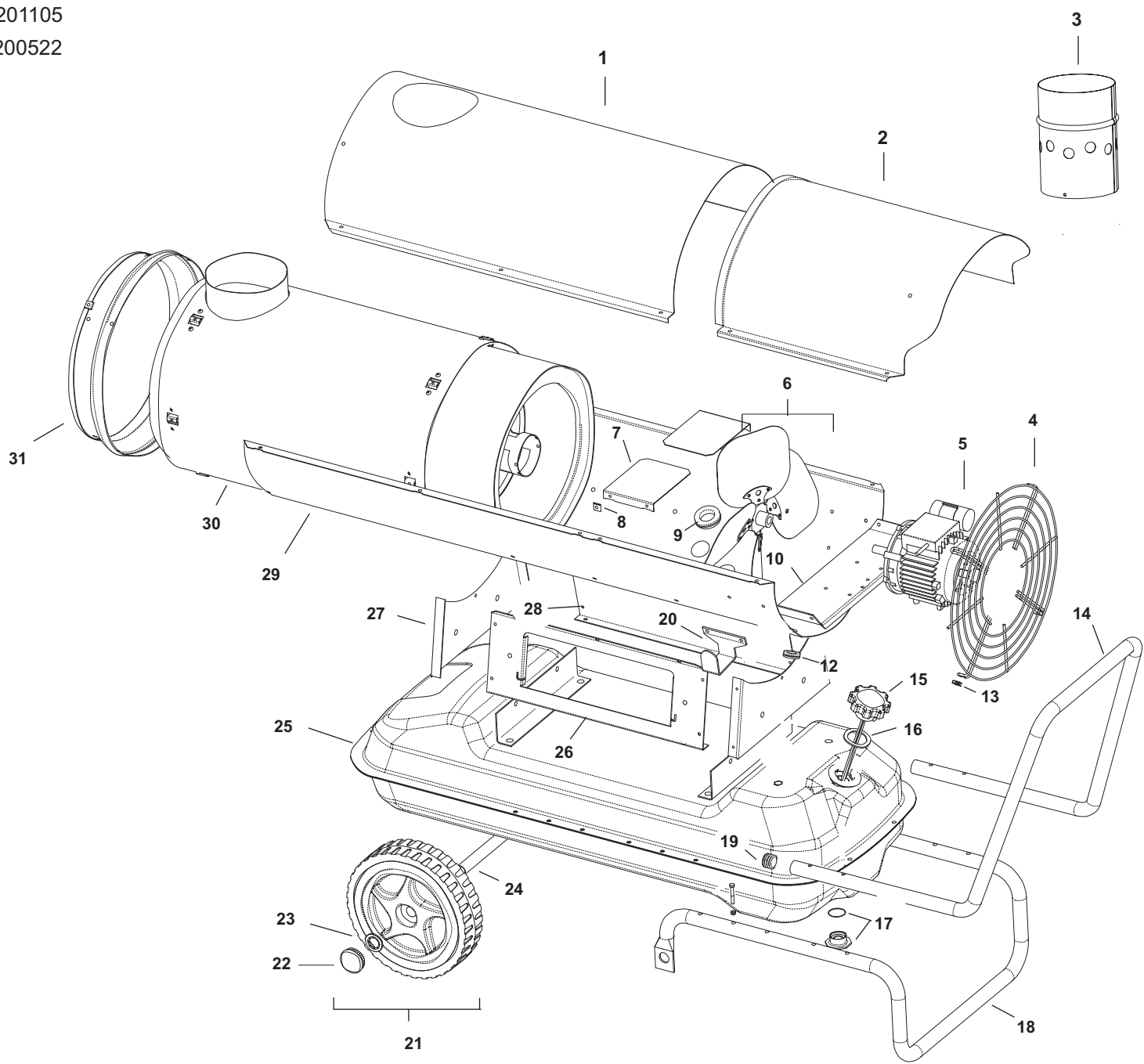
# MODEL BV110 E

## UNIT 1

## ILLUSTRATED PARTS BREAKDOWN

From Serial Number: 31201105  
Untill Serial Number: 32200522

Rev B - May 2011



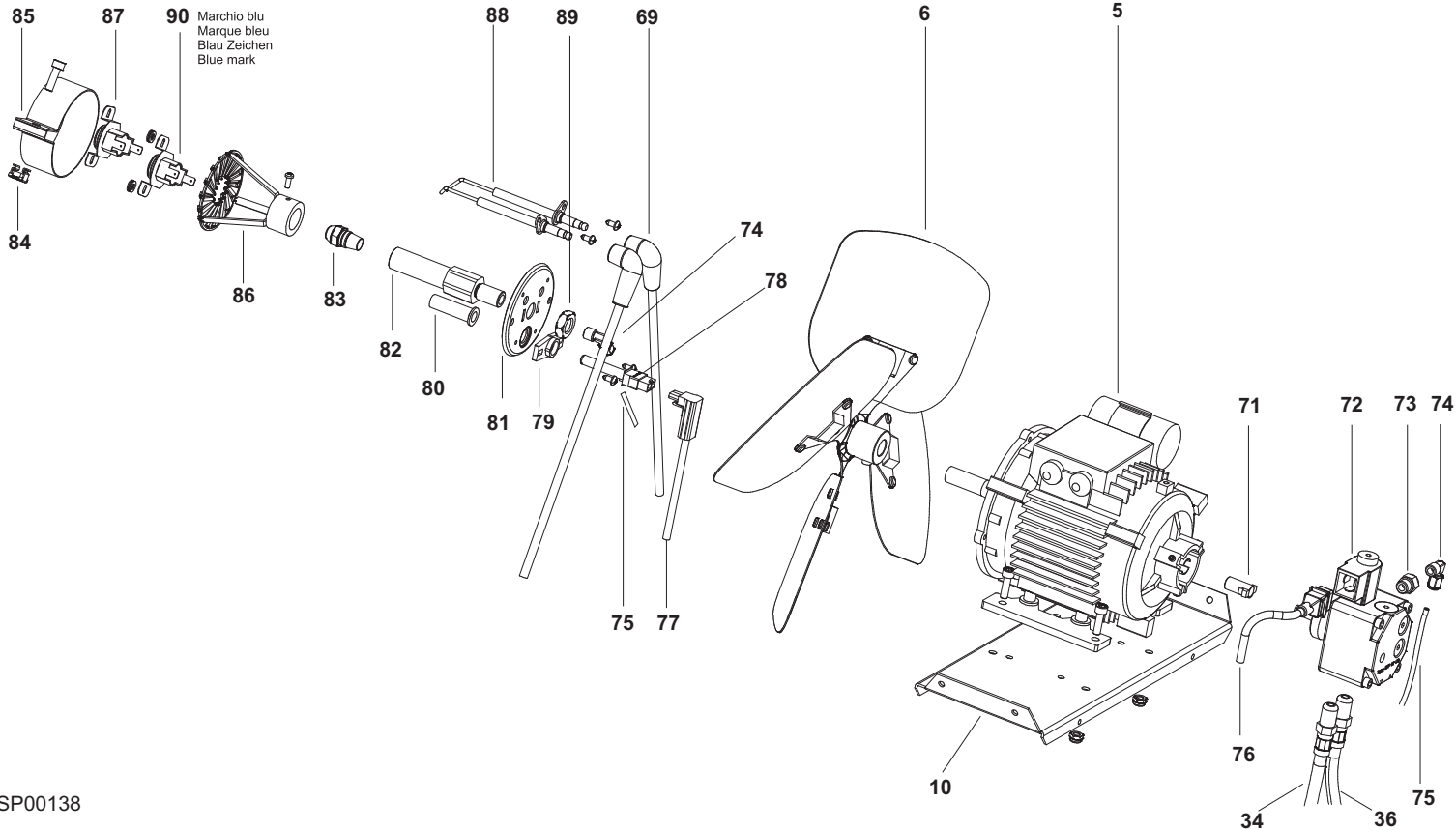
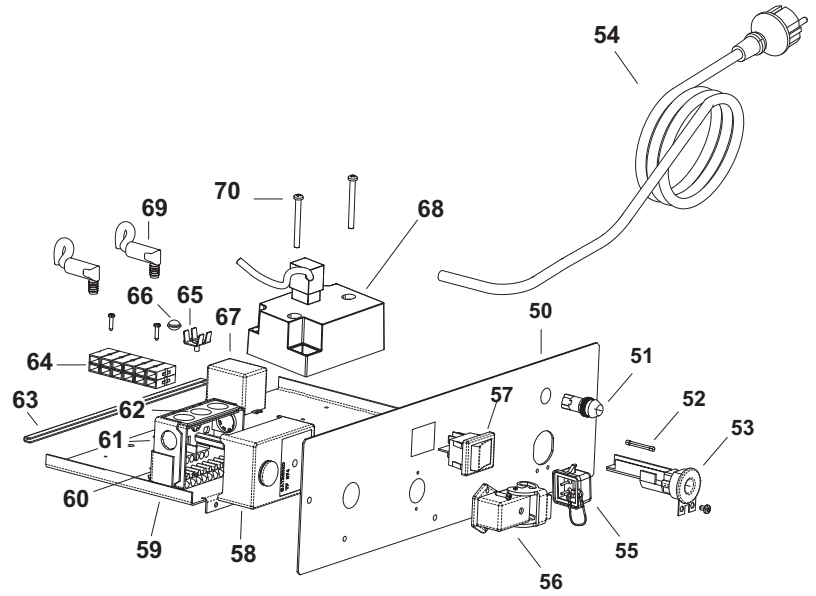
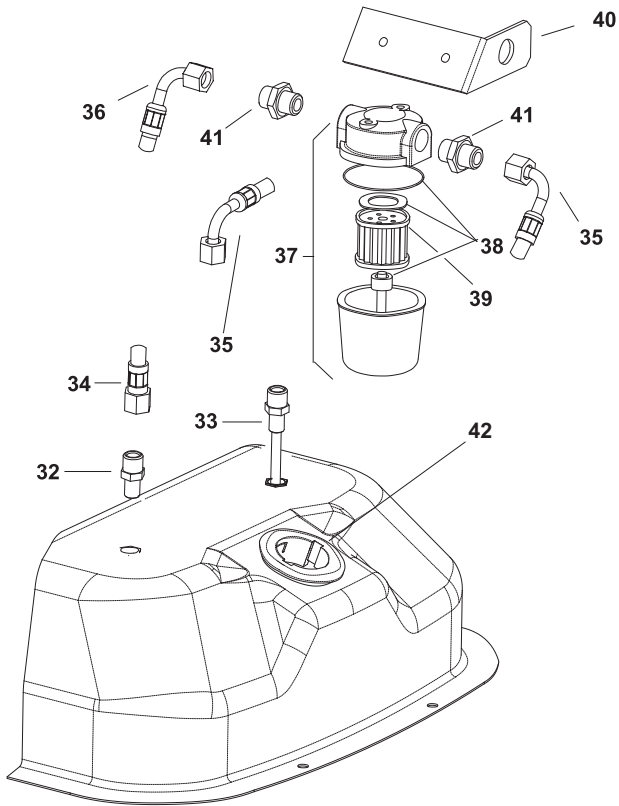
# MODEL BV110 E

## UNIT 2

## ILLUSTRATED PARTS BREAKDOWN

From Serial Number: 31201105  
Untill Serial Number: 32200522

Rev. B- May 2011



# MODEL BV110 E

UNIT 3

PARTS LIST

POS.	Code NR	Description	Rev. B - May 2011
1	4032.654	UPPER BODY	
2	4032.548	UPPER BODY MOBILE	
3	4032.385	CHIMNEY	
4	4032.557	INLET GRILLE	
5	4032.371	MOTOR 2P 230V/50 450 W	
6	4033.030	FAN	
7	4032.554	AIR FLAP	
8	4104.170	CLIP NUT	
9	4111.056	PROTECTION CLABLE	
10	4032.555	MOTOR FLANGE	
12	4160.646	PROTECTION CLABLE	
13	4111.241	ELASTIC PLATE	
14	4032.568	HANDLE FRAME	
15	4032.475	FUEL LEVEL PROBE	
16	4032.537	TANK PLUG SEAL	
17	4100.632	DRAIN PLUG	
18	4032.564	FOOT FRAME	
19	4111.057	PLUG	
20	4032.536	POWER CORD HOOK	
21	4032.094	WHEEL Ø 250	
22	4111.480	WHEEL PLUG	
23	4111.072	WHEEL HOLDER Ø 20	
24	4032.566	AXLE	
25	4033.091	FUEL TANK	
26	4032.558	ELECTR. COMPONENTS DRAWER PANEL	
27	4033.095	BASE	
28	4032.560	SIDE PANEL	
29	4111.625	LOWER BODY	
30	4032.655	COMBUSTION CHAMBER	
31	4032.544	OUTLET CONE	
32	4031.068	CONN. STRAIGHT 1/4"	
33	4031.067	PIPE CONNECTION 1/4"	
34	4031.062	FUEL PIPE PUMP-TANK	
35	4031.063	FUEL PIPE TANK-FILTER	
36	4031.061	FUEL PIPE FILTER-PUMP	
37	4033.090	FILTER CARTIDGE 3/8"	
38	4111.116	OR KIT FILTER	
39	4031.494	FILTER CARTIDGE	
40	4032.437	FILTER SUPPORT	
41	4031.064	DOUBLE SCREW	
42	4032.472	NECK PLASTIC FILLER	
50	4032.446	ELECTR. COMPONENTS DRAWER	
51	4117.058	PILOT LAMP 230V	
52	4111.040	FUSE (6,3X32) 10A	
53	4111.038	CABLE FASTENER	
54	4111.153	POWER CORD HOOK	
55	4162.467	THERMOSTAT PLUG	
56	4111.119	PLATE PLUG	
57	4160.637	SWITCH	
58	4110.968	CONTROL BOX	
59	4032.448	ELECTR. COMPONENTS BASE	
60	4032.499	CONTROL BOX SUPPORT	
61	4110.969	CONTROL BOX BASE	
62	4110.967	SUPPORT PG PHOTOCCELL	
63	4110.155	EDGE LINER	
64	4111.033	TERMINAL BOARD	

ESP00138

# MODEL BV110 E

UNIT 4

PARTS LIST

POS.	Code NR	Description	Rev. B - May 2011
65	4160.639	POP RIVET	
66	4032.450	PLASTIC PIN	
67	4111.032	RELAY FINDER	
68	4111.890	KIT TRANSFORMER	
69	4110.490	H.T. CABLE	
70	4160.421	M4 SCREW	
71	4111.081	COUPLING SIMEL	
72	4111.042	PUMP DANFOSS	
73	4161.501	CONN. STRAIGHT 1/8"	
74	4161.140	ELBOW 1/8"	
75	4111.049	OIL SUPPLY PIPE	
76	4033.087	PUMP POWER CORD	
77	4110.970	PHOTOCELL CONN. CLABE	
78	4110.966	PHOTOCELL	
79	4111.076	PHOTOCELL BLOCK BRACKET	
80	4032.406	PHOTOCELL SUPPORT	
81	4032.574	BURNER FLANGE	
82	4032.403	NOZZLE SUPPORT	
83	4031.020	NOZZLE 0,65 GHP 80°	
84	4032.454	M6 NUT	
85	4032.545	AIR REGULATION FLAP	
86	4033.071	TURBO DISC	
87	4031.045	FAN THERMOSTAT	
88	4033.057	ELECTRODE	
89	4032.407	M14 NUT	
90	4031.047	LIMIT THERMOSTAT	

## RECOMMENDED SPARE PARTS

POS.	Code NR	Description	Rev. B - May 2011
5	4032.371	MOTOR 2P 230V/50 450 W	
38	4111.116	OR KIT FILTER	
39	4031.494	FILTER CARTIDGE	
52	4111.040	FUSE (6,3X32) 10A	
55	4162.467	THERMOSTAT PLUG	
56	4111.119	PLATE PLUG	
58	4110.968	CONTROL BOX	
67	4111.032	RELAY FINDER	
68	4111.890	KIT TRANSFORMER	
69	4110.490	H.T. CABLE	
71	4111.081	COUPLING SIMEL	
72	4111.042	PUMP DANFOSS	
76	4033.087	PUMP POWER CORD	
77	4110.970	PHOTOCELL CONN. CLABE	
78	4110.966	PHOTOCELL	
83	4031.020	NOZZLE 0,65 GHP 80°	
87	4031.045	FAN THERMOSTAT	
88	4033.057	ELECTRODE	
90	4031.047	LIMIT THERMOSTAT	



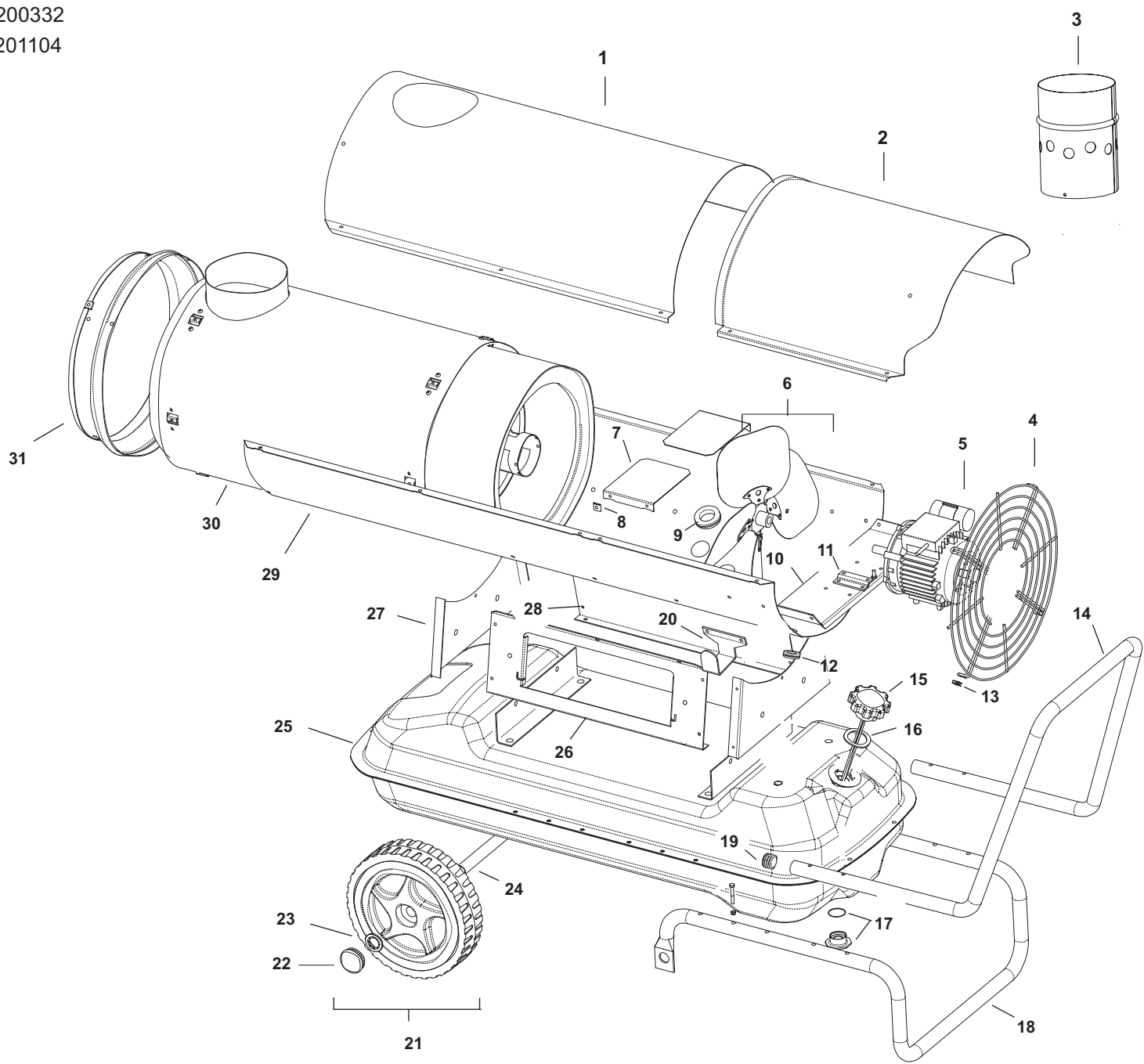
# MODEL BV110 E

UNIT 1

ILLUSTRATED PARTS BREAKDOWN

From Serial Number: 30200332  
Untill Serial Number: 31201104

Edizione 2010  
Rev. A



# MODEL BV110 E

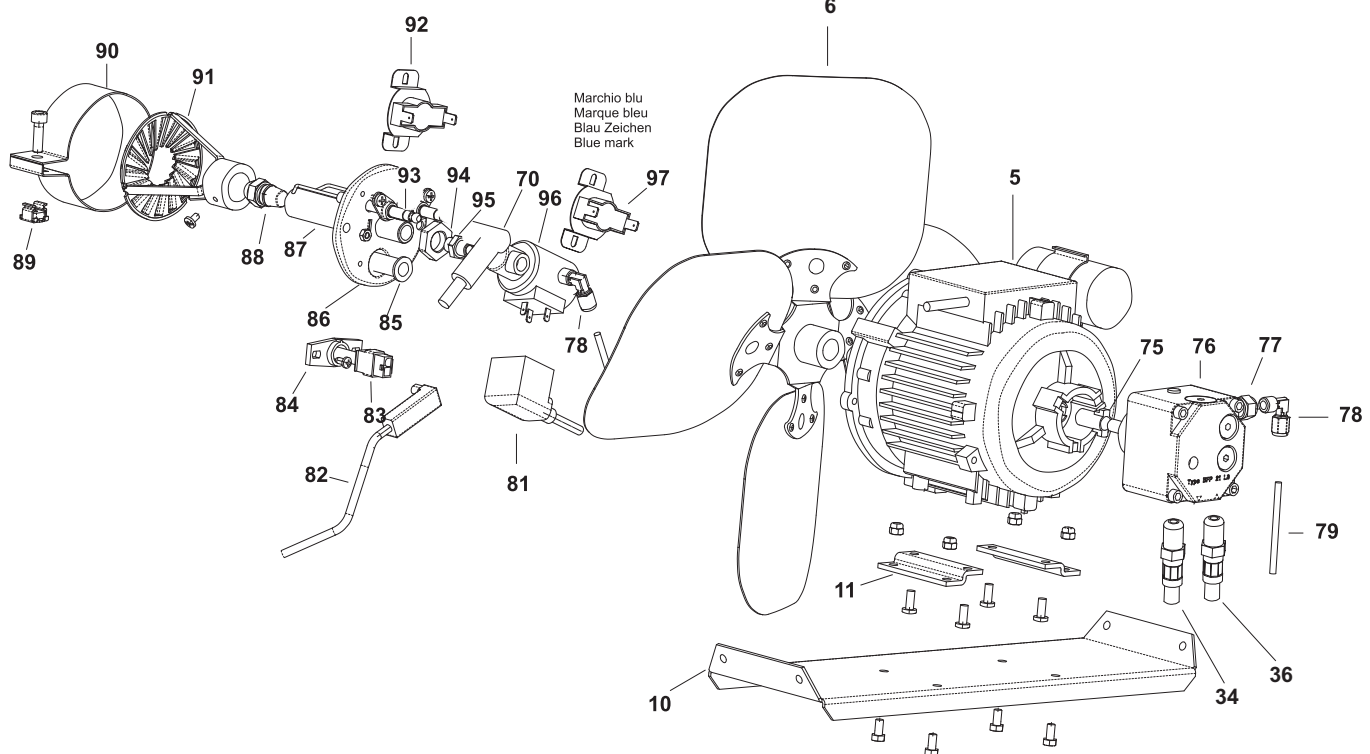
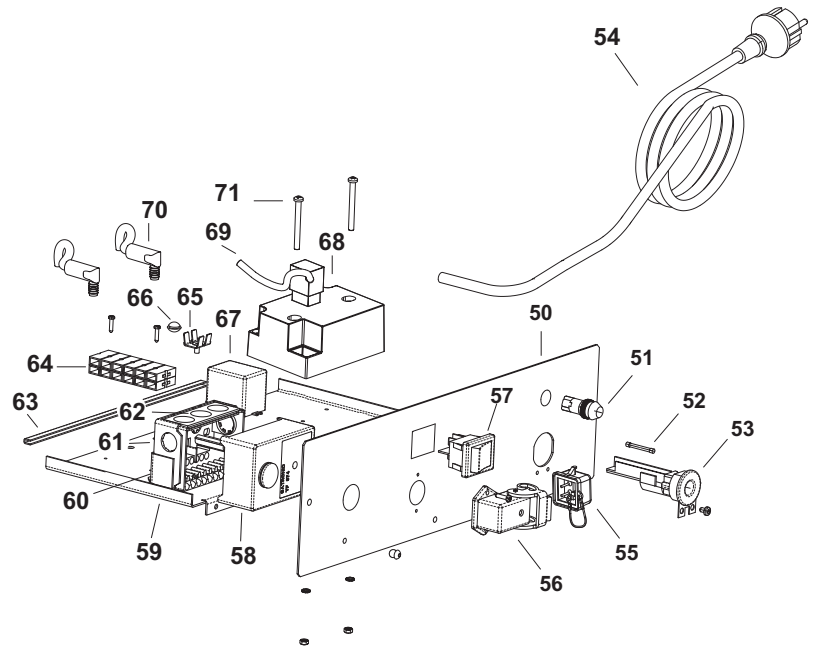
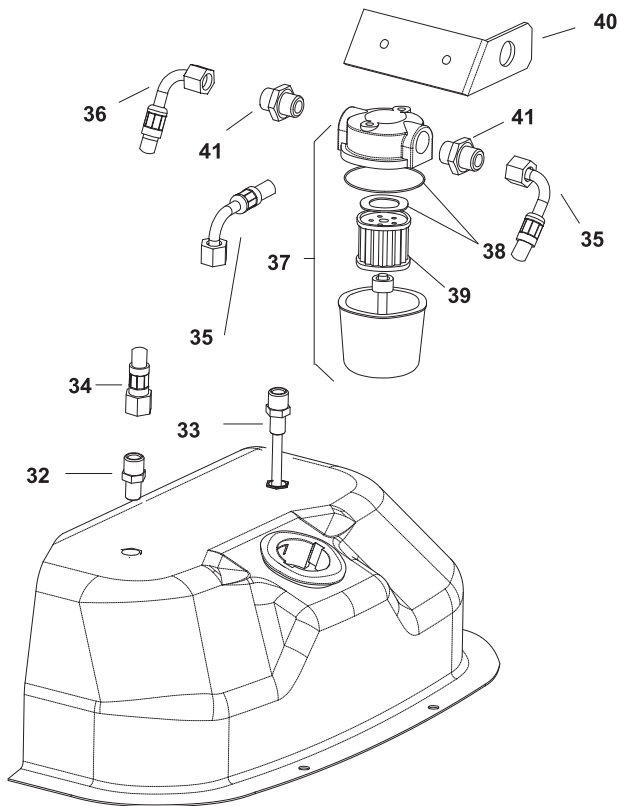
## UNIT 2

## ILLUSTRATED PARTS BREAKDOWN

From Serial Number: 30200332

Untill Serial Number: 31201104

Edizione 2010  
Rev. A



## OIL HEATER BV110 E

<b>POS.</b>	<b>Code NR</b>	<b>Description</b>
1	4032.654	UPPER BODY
2	4032.548	UPPER BODY MOBILE
3	4032.385	CHIMNEY
4	4032.557	INLET GRILLE
5	4032.594	MOTOR 250W
6	4032.593	FAN
7	4032.554	AIR FLAP
8	4104.170	CLIP NUT
9	4111.056	PROTECTION CLABLE
10	4032.555	MOTOR FLANGE
11	4032.519	MOTOR FLANGE SUPPORT
12	4160.646	PROTECTION CLABLE
13	4111.241	ELASTIC PLATE
14	4032.568	HANDLE FRAME
15	4032.475	FUEL LEVEL PROBE
16	4032.537	TANK PLUG SEAL
17	4100.632	DRAIN PLUG
18	4032.564	FOOT FRAME
19	4111.057	PLUG
20	4032.536	POWER CORD HOOK
21	4032.094	WHEEL Ø 250
22	4111.480	WHEEL PLUG
23	4111.072	WHEEL HOLDER Ø 20
24	4032.566	AXLE
25	4032.543	FUEL TANK
26	4032.558	ELECTR. COMPONENTS DRAWER PANEL
27	4032.562	BASE
28	4032.560	SIDE PANEL
29	4111.625	LOWER BODY
30	4032.541	COMBUSTION CHAMBER
31	4032.544	OUTLET CONE
32	4031.068	CONN. STRAIGHT 1/4"
33	4031.067	PIPE CONNECTION 1/4"
34	4031.062	FUEL PIPE PUMP-TANK
35	4031.063	FUEL PIPE TANK-FILTER
36	4031.061	FUEL PIPE FILTER-PUMP
37	4031.070	FILTER CARTIDGE 3/8"
38	4111.116	OR KIT FILTER
39	4031.015	FILTER CARTIDGE
40	4032.437	FILTER SUPPORT
41	4031.064	DOUBLE SCREW
50	4032.446	ELECTR. COMPONENTS DRAWER
51	4117.058	PILOT LAMP 230V
52	4111.040	FUSE (6,3X32) 10A
53	4111.038	CABLE FASTENER
54	4111.153	POWER CORD HOOK
55	4162.467	THERMOSTAT PLUG
56	4111.119	PLATE PLUG
57	4160.637	SWITCH
58	4110.968	CONTROL BOX
59	4032.448	ELECTR. COMPONENTS BASE
60	4032.499	CONTROL BOX SUPPORT
61	4110.969	CONTROL BOX BASE

62	4110.967	SUPPORT PG PHOTOCELL
63	4110.155	EDGE LINER
64	4111.033	TERMINAL BOARD
65	4160.639	POP RIVET WITH TERMIN. 4 WAY
66	4032.450	PLASTIC PIN
67	4111.032	RELAY FINDER
68	4031.541	TRANSFORMER
69	4110.491	TRANSFORMER POWER CORD
70	4110.490	H.T. CABLE
71	4160.421	M4 SCREW
75	4111.081	COUPLING SIMEL
76	4032.093	PUMP DANFOSS
77	4161.501	CONN. STRAIGHT 1/8"
78	4161.140	ELBOW 1/8"
79	4111.049	OIL SUPPLY PIPE
81	4032.110	POWER CORD SOLENOID SPOOL
82	4110.970	PHOTOCELL CONN. CLABE
83	4110.966	PHOTOCELL
84	4111.076	PHOTOCELL BLOCK BRACKET
85	4032.406	PHOTOCELL SUPPORT
86	4032.574	BURNER FLANGE
87	4032.403	NOZZLE SUPPORT
88	4031.020	NOZZLE 1,00 GHP 80°
89	4032.454	M6 NUT
90	4032.545	AIR REGULATION FLAP
91	4032.570	TURBO DISC
92	4031.045	FAN THERMOSTAT
93	4032.785	ELECTRODE
94	4032.407	M14 NUT
95	4160.968	CONN. STRAIGHT 1/8"
96	4102.535	SOLENOID SPOOL 230V/50Hz
97	4031.047	LIMIT THERMOSTAT