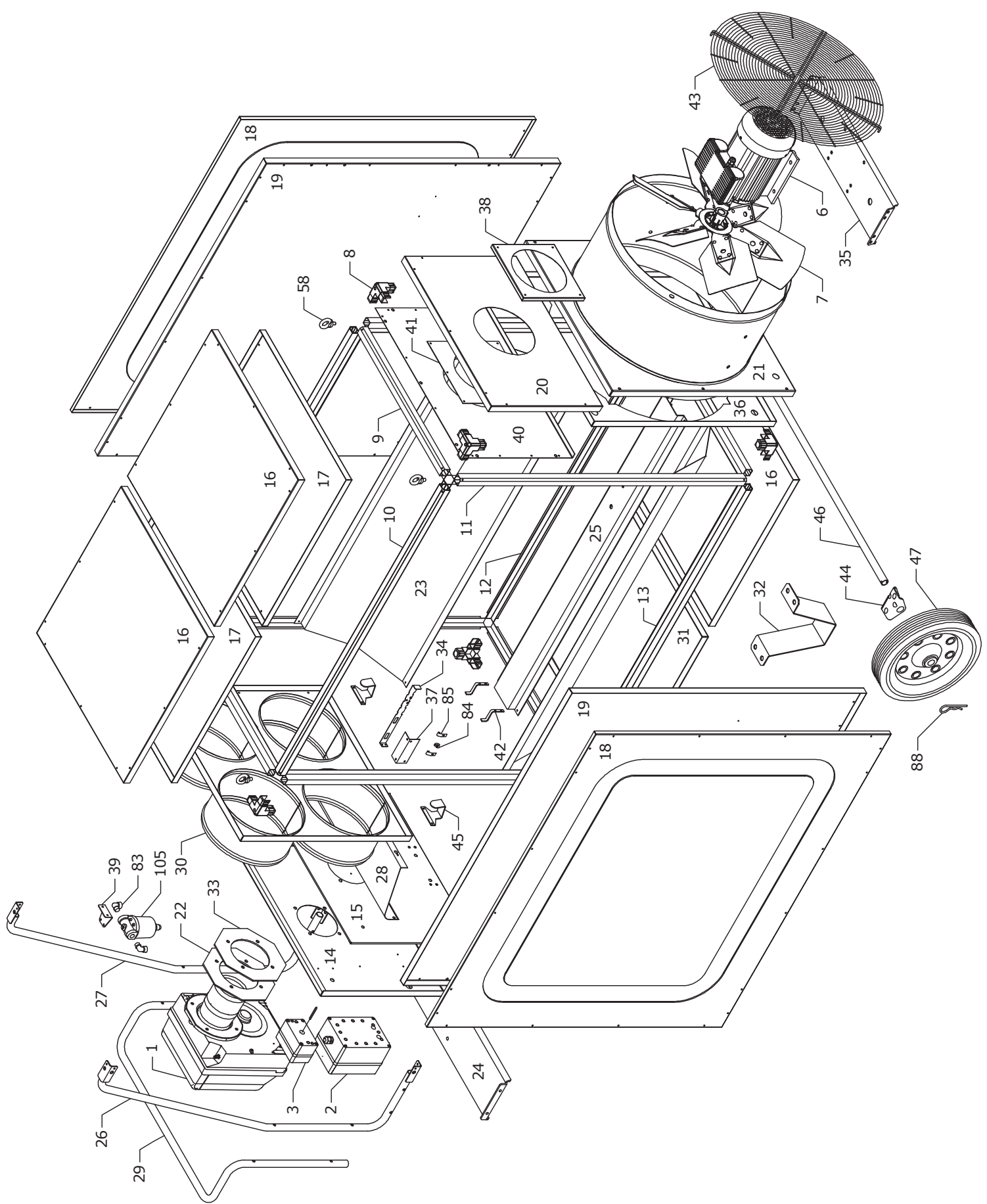


BV 690 FS FT MODEL 2014

UNIT 1

ILLUSTRATED PARTS BREAKDOWN

From Serial Number: 22934000126



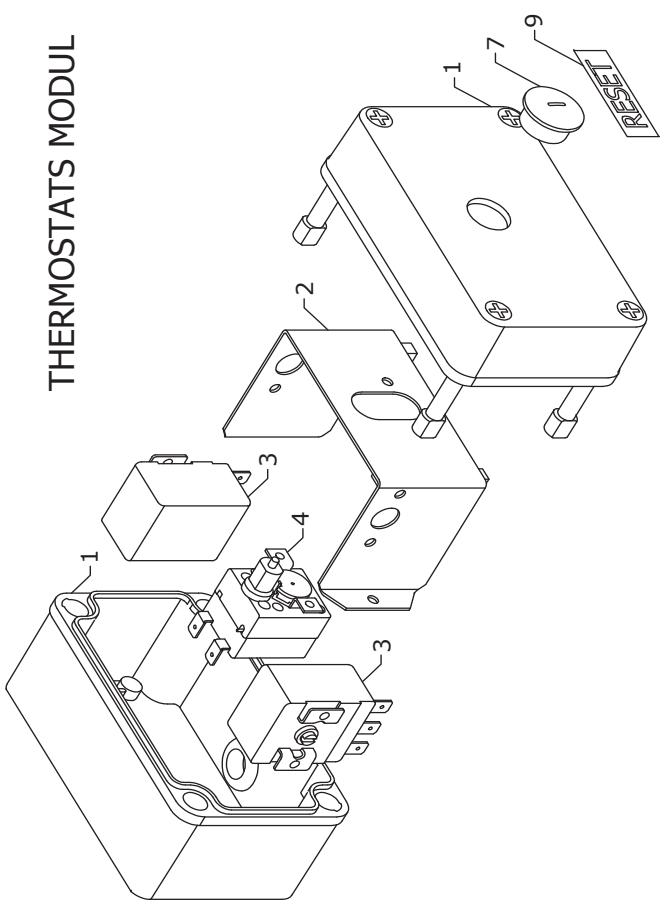
BV 690 FS FT MODEL 2014

UNIT 2

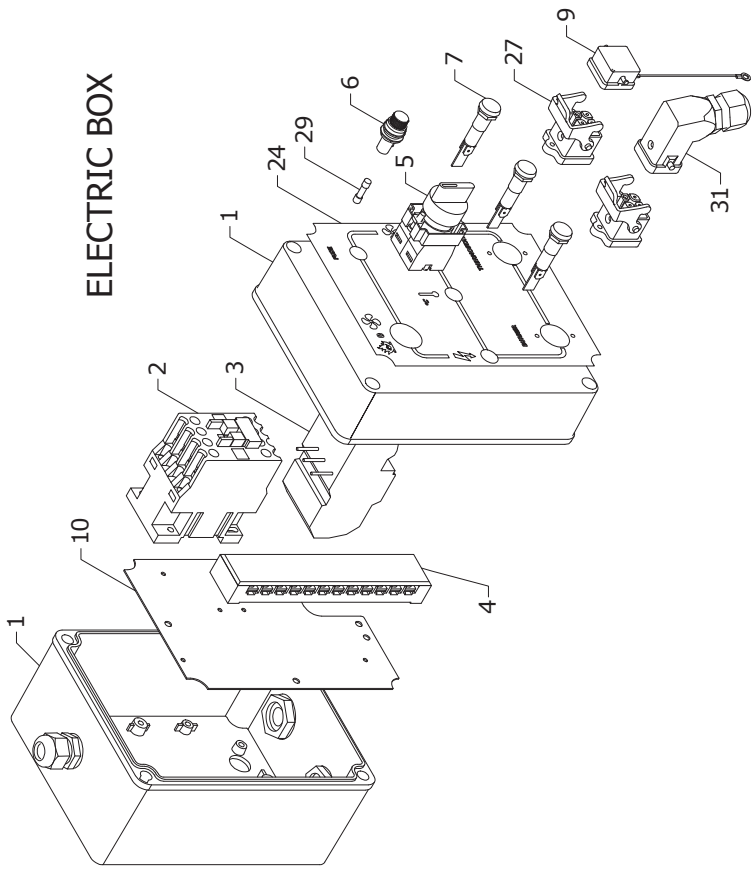
ILLUSTRATED PARTS BREAKDOWN

From Serial Number: 22934000126

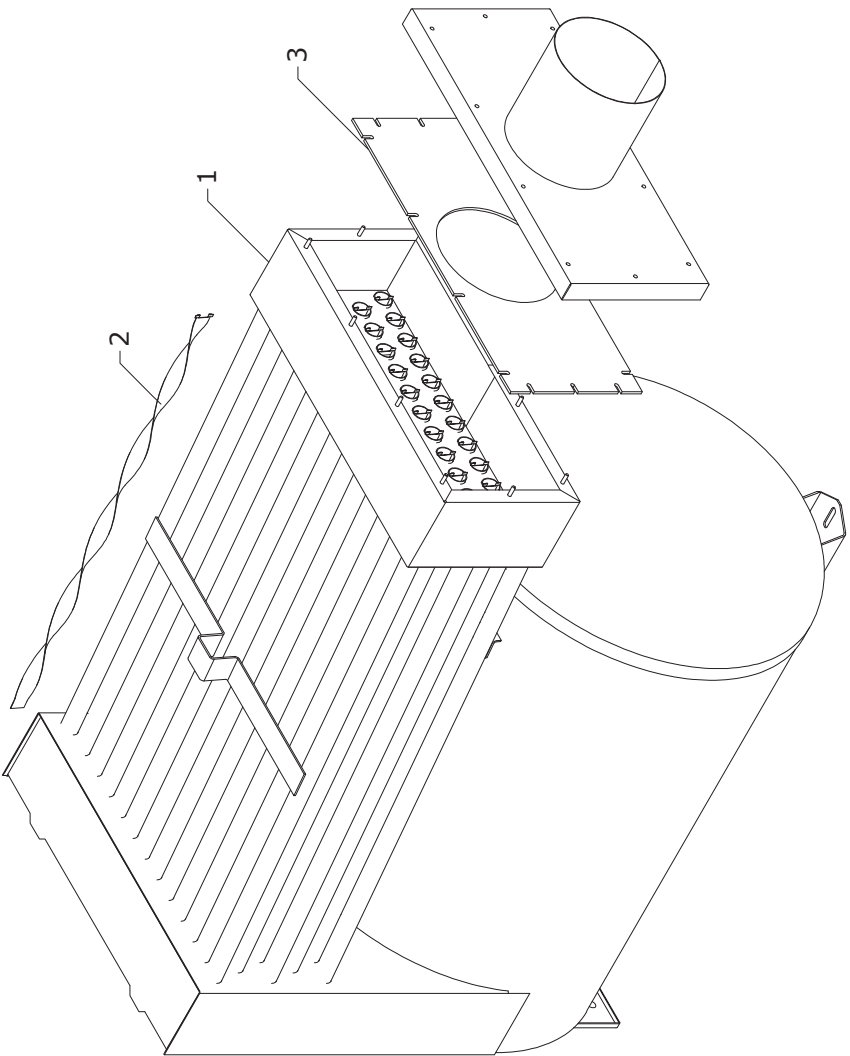
THERMOSTATS MODUL



ELECTRIC BOX



COMBUSTION CHAMBER



Pos.	Code NR	Description
		BV 690 FS
1	4514.304	OIL BURNER RG4F (Nozzle 4.5GPH 60°W)
2	4240.106	ELECTRIC BOX BV690FS A1
3	4240.021	THERMOSTATS MODUL BV/GREEN A1
6	5269.301	ELECTRIC MOTOR 2,2KW 230V~ 1430RPM IP55 (H=100MM)
7	5269.008	AXIAL FAN FI650/350 6-BLADE (HUB 28X60)
8	4240.004	3-WAY CORNER 30X25X1,75
9	4240.005	FRAME PROFILE 30X25X1,75 - 690
10	4240.006	FRAME PROFILE 30X25X1,75 - 1381
11	4240.007	FRAME PROFILE 30X25X1,75 - 1200
12	4240.037	FRAME PROFILE 30X25X1,75 - 1381 DL
13	4240.038	FRAME PROFILE 30X25X1,75 - 1381 DR
14	4240.024	BURNER EXTERNAL PANEL BV690 A1
15	4240.034	INTERNAL FRONT HEAT SHIELD BV690 A1
16	4514.162	UPPER EXTERNAL PANEL BV690
17	4514.163	UPPER INTERNAL PANEL 690
18	4514.164	LATERAL EXTERNAL PANEL BV690
19	4514.165	LATERAL INTERNAL PANEL 690
20	4514.166	CHIMNEY PANEL BV690
21	4514.798	FAN PANEL D650
22	4514.168	UNIVERSAL PLATE
23	4514.172	DEFLECTOR - AIR DIRECTION SHEET 690
24	4514.173	ROTATING WHEEL SUPPORT 690
25	4514.175	SUPPORTING BEAM BV690
26	4514.179	LEFT BURNER PROTECTION BV690
27	4514.180	RIGHT BURNER PROTECTION BV690
28	4514.182	BURNER COVER BV690
29	4514.212	HANDLE BV690F
30	4514.238	4-WAY OUTLET 4X320-2X5X12
31	4514.281	EXTERNAL DOWN PANEL I BV690
32	4514.282	FRONT BASE BV690
33	4514.616	PLATE SEAL
34	4514.711	BRACKET FOR CAPILLARIES BV
35	4514.792	BASE FOR MOTOR D650 (H100MM)
36	4514.793	HEAT SHIELD FOR INLET D650
37	4517.152	COVER OF CAPILLARYS BV
38	4517.784	FLANGE COVER CHIMNEY 200MM BV
39	4517.785	SUPPORT FOR OIL FILTER WITH PREHEATER
40	4518.106	HEAT SHIELD FOR CHIMNEY BV690
41	4518.107	PLATE FOR FIXING CHAMBER (Ø200)
42	4518.108	BURNER STABILIZER BV690
43	4518.198	PROTECTION GRILL BV690F INTERNAL
44	4518.199	SUPPORT FOR WHEEL AXLE FI25X28
45	4032.535	CABLE HANGER BV
46	4514.183	AXLE BV690
47	5269.401	METAL RUBBER WHEEL BLACK Ø380
58	4240.015	LIFTING EYE BOLT M10 X 17 - A1J
84	4510.855	BAND CLIP 06-11 5
85	4510.872	FITTING THE CAPILLARY TUBE FI 6
88	4514.845	SPRING COTTERS OF A BOLT D25
83	4031.581	CONNECTION 3/8"
105	4031.120	OIL FILTER – PREHEATER
		BV 690 FT
2	4240.108	ELECTRIC BOX BV690FT A1
6	5269.307	ELECTRIC MOTOR 2,2KW 380V 50Hz 5,16A 1410RPM IP54 F

4240.021 THERMOSTATS MODUL BV/GREEN A1

Pos.	Code NR	Description
1	4240.047	PLASTIC ENCLOSURE 130X80X85 A1
2	4240.051	THERMOSTAT SUPPORT A1
3	4240.045	CAPILLARY THERMOSTAT 16A/250V 27,5°C - 87,5°C
4	4240.044	OVER-HEAT THERMOSTAT 16A/250V 90°C-110°C
7	4240.049	HOLE COVER M20X1,5
9	4514.552	LABEL RESET 50X15

4240.106 ELECTRIC BOX BV 690 FS A1

Pos.	Code NR	Description
1	4240.020	ENCLOSURE BV/GREEN 150X200X130
2	4240.008	CONTACTOR 3P 240V 50/60HZ ~ 7,5KW 1NO
3	4240.041	THERMAL RELAY 12-18A
4	4240.016	TERMINAL BLOCK 25A/600V 12T 0.5-2.5 ²
5	4240.009	SWITCH 3P (NO) 415V 10A
6	4240.010	FUSE HOLDER 5X20-12 10A 250V
7	4514.415	LIGHT INDICATOR 230V IP44 D9,5
9	4260.168	CAP COMPLETE WITH PIN 2-3
10	4240.018	ELECTRIC COMPONENTS PLATE SK 1
24	4240.042	LABEL ELECTRIC BOX BV
27	4514.611	SOCKET CASE
29	4240.011	FUSE 5X20 5A 250V
31.1	5247.310	PLUG COVER HEAVY DUTY CONNECTOR ANGULAR
31.2	5247.313	PLASTIC CABLE GLAND M20
31.3	4514.405	MALE INSERT 3P+PE

4240.108 ELECTRIC BOX BV 690 FT A1

Pos.	Code NR	Description
3	5269.306	THERMAL RELAY 4-6A

4240.107 COMBUSTION CHAMBER 690 A1 COMPLETE

Pos.	Code NR	Description
1	5269.011	COMBUSTION CHAMBER 690 A1
2	4517.786	TURBULISER 690 NEW
3	4514.619	FLUE CHAMBER SEAL BV690