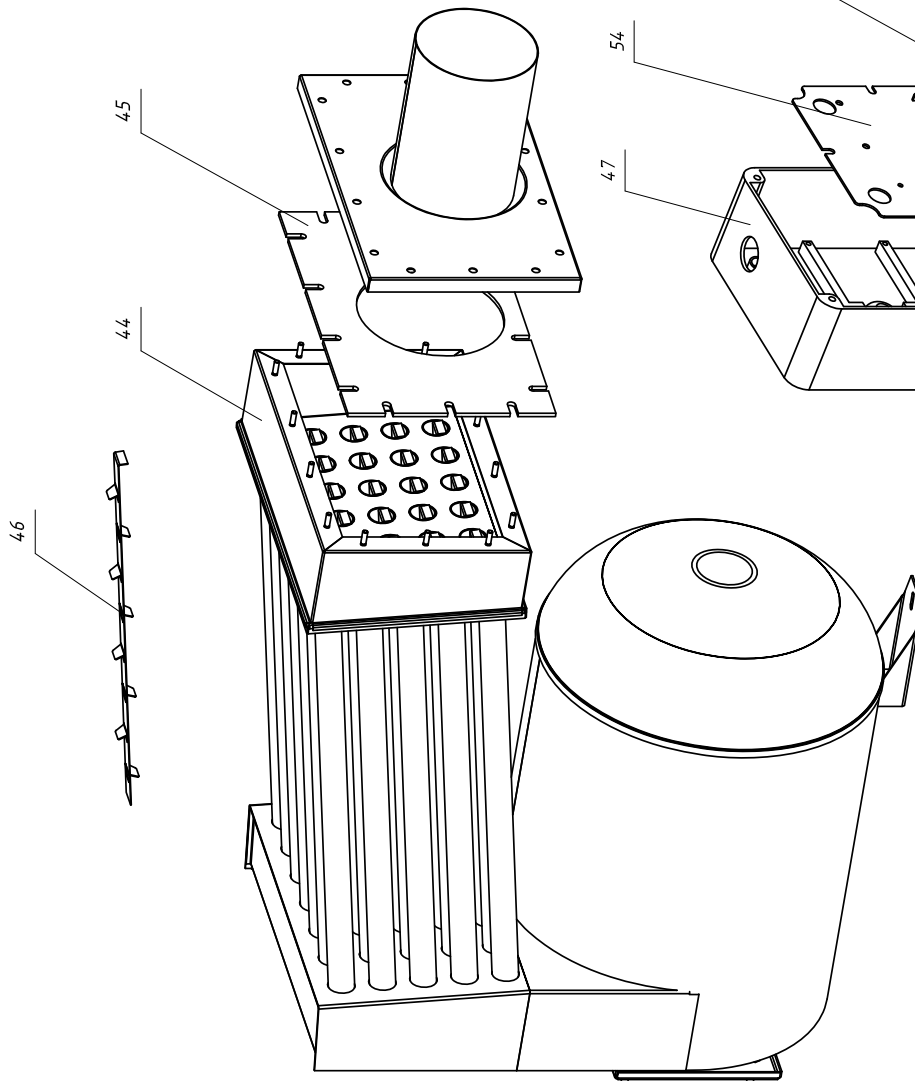
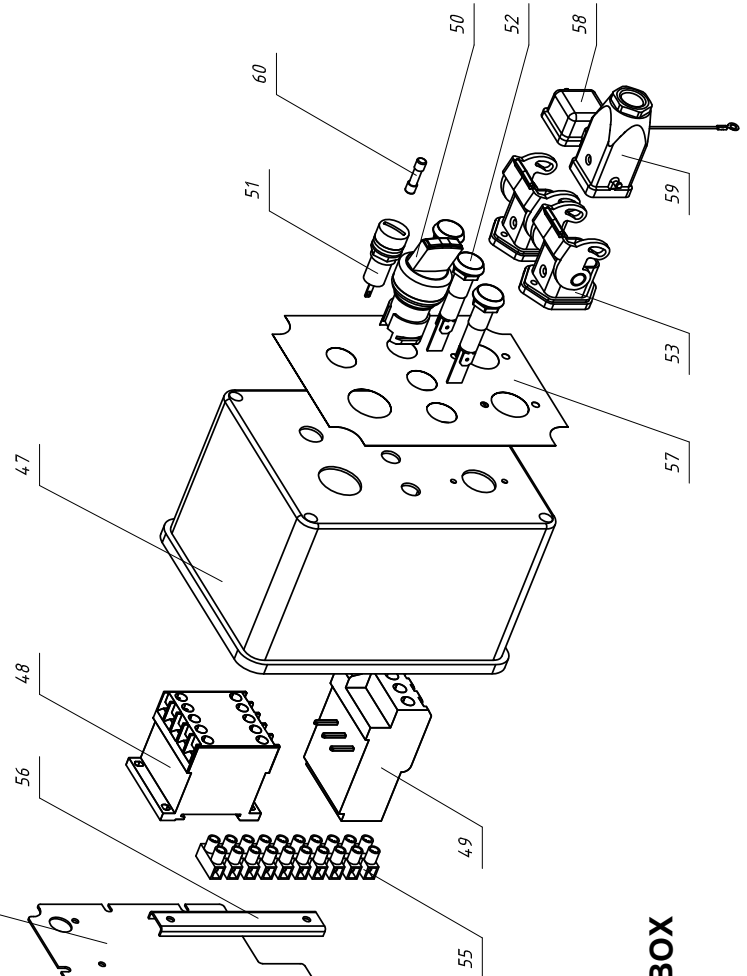
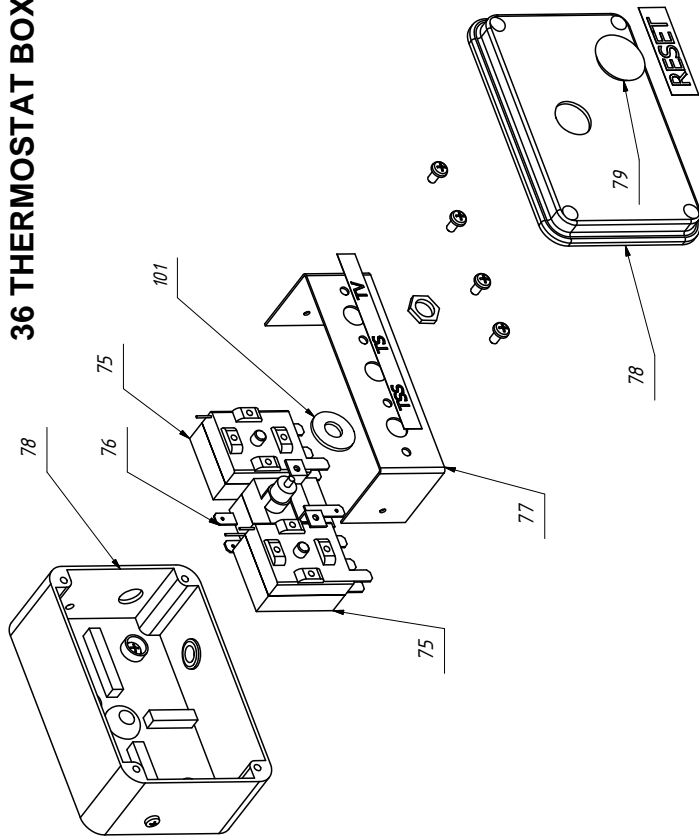


## 36 THERMOSTAT BOX



## 37 ELECTRIC BOX

## COMBUSTION CHAMBER

Pos.	Code NR	Description
1	S/R	3 WAY CORNER FOR CHAMFERED PROFILE
2	S/R	CHAMFERED PROFILE FOR PANEL 25 L=800mm
3	S/R	CHAMFERED PROFILE FOR PANEL 25 L=470mm
4	S/R	CHAMFERED PROFILE FOR PANEL 25 L=830mm
5	S/R	SUPPORTING BEAM
6	S/R	EXTERNAL SIDE PANEL
7	S/R	EXTERNAL LOWER PANEL
8	S/R	EXTERNAL BURNER PANEL
9	S/R	INTERNAL SIDE PANEL
10	S/R	DEFLECTOR
11	S/R	CHIMNEY PANEL
12	S/R	INTERNAL FAN PANEL
13	4514.748	CHIMNEY COVER
14	4514.719	1-WAY OUTLET PANEL
15	4514.750	FRONT BASE
16	S/R	BASE SUPPORT
17	S/R	EXTERNAL UPPER PANEL I
18	S/R	INTERNAL UPPER PANEL I
19	S/R	EXTERNAL UPPER PANEL II
20	S/R	INTERNAL UPPER PANEL II
21	4514.756	AXLE
22	4514.758	BURNER PLATE
23	4514.626	BURNER ISOLATION SEAL
24	S/R	MOTOR SUPPORT
25	4514.760	GRILL
26	S/R	FAN PANEL
27	4514.625	WHELL D250
28	4514.763	LEFT PROTECTION
29	4514.764	RIGHT PROTECTION
30	4514.765	HANDLE
31	S/R	BURNER SCREEN
32	S/R	FRONT HEAT SHIELD
33	4514.161	SUPPORT FOR OIL PRE-HATER
34	4514.321	MOTOR 1~0,75KW 230V
35	4514.317	OIL BURNER RG2F
36	4514.430	THERMOSTAT BOX

Pos.	Code NR	Description
37	4514.403	ELECTRIC BOX
38	4514.128	HUB BRACKET
39	4514.803	FIXING WASHER FOR SHAFT
40	4514.801	LIFTING EYE BOLT M8
41	4514.316	AXIAL FAN BLADE
42	4031.120	OIL PRE-HEATER
43	4514.711	BRACKET FOR CAPILLARY
44	4514.761	COMBUSTION CHAMBER
45	4514.627	EXIT SMOKE CHAMBER SEAL
46	4514.757	BRACKET FOR TURBULENCE
47	4514.629	PLASTIC BOX 150x110x140
48	4514.416	CONTACTOR 4kW 400V
49	4514.418	THERMAL RELAY 4-6A
50	4514.402	SWITCH 3P
51	4514.400	FUSE HOLDER
52	4514.415	INDICATOR LIGHT 230V
53	4032.108	KIT SOCKET 4 PIN
54	4514.794	ELECTRIC BOX PLATE
55	4514.404	TERMINAL BLOCK 12T 6 <sup>2</sup>
56	4514.795	DISTANCE TERMINAL BLOCK
57	4514.553	LABEL
58	4162.467	CAP FOR THERMOSTAT SOCKET
59	4111.118	KIT PLUG 4 PIN
60	4514.409	FUSE 5x20 3,15A 250V
75	4514.422	CAPILLARY THERMOSTAT 16A/250V
76	4514.419	OVER-HEAT THERMOSTAT 16A/250V 110°C
77	4514.799	THERMOSTAT SUPPORT
78	4514.623	PLASTIC BOX 120x80x50
79	4514.624	BUTTON fi19mm
101	4514.841	DISTANCE WASHER fi10x2

S/R = Parts available on special request only