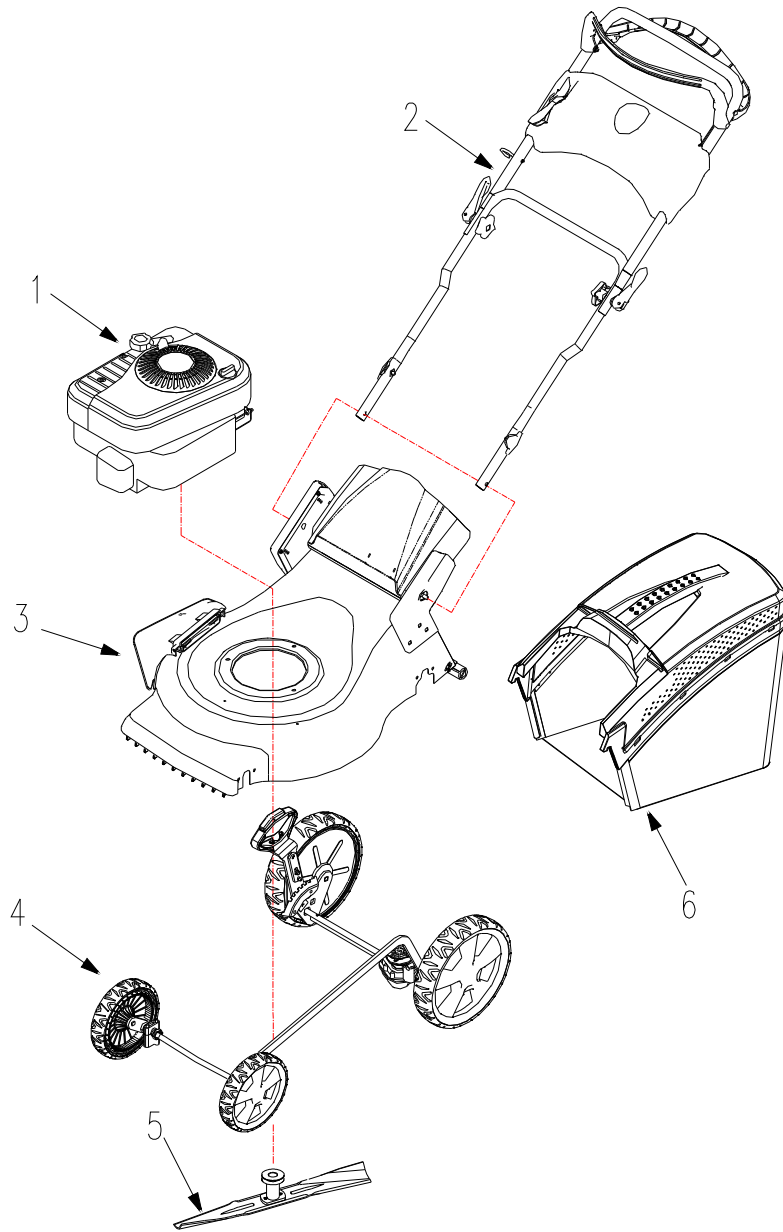


# CONTENTS

---

<b>MOWER ASSEMBLY</b> .....	1
<b>HANDLEBAR &amp; CONSOLE</b> .....	2
<b>MOWER DECK ASSEMBLY</b> .....	4
<b>DRIVE ASSEMBLY</b> .....	6
<b>STRAIGHT BLADE ASSEMBLY</b> .....	8
<b>GRASS BAG ASSEMBLY</b> .....	9

# MOWER ASSEMBLY



REF NO.	PART NO.	DESCRIPTION	GTM 460 SP1 C H	GTM 460 SP1 SC H
1		Engine		
2		Handlebar & Console		
3		Mower Deck Assembly		
4		Drive Assembly		
5		Straight Blade Assembly		
6		Grass Catcher Assembly		



## HANDLEBAR & CONSOLE

REF NO	PART NO.	DESCRIPTION	GTM 460 SP1 C H	GTM 460 SP1 SC H
8	B97.1-6	Flat Washer 6		
9	B/T896-5	E-Chip 5		
10	2003013	Axle Pin		
11	2003016	Flywheel Brake Lever		
12	B820-640	Phillips Hd Screw M6×40		
14	2000035	Bronze Bushing		
15	B5787-660	Phillips Hd Screw M6×60		
16	2003012	Drive Clutch Lever		
17	B6182-6	Nylon Insert Lock Nut M6		
18	WORD18.6-05	Rope Guide		
19A	XSS46.7□	Throttle Control System		
19B	2215300■	Throttle Control System		
20	2203333△	Cable Unit		
20	2203349▲	Cable Unit		
21	2012301	Upper Handle		
22	2003022	Spacer		
23	2003023	Axle Pin		
24	2003021	Screw Stem		
25	2003024	Handle		
26	XSZ56-1-09	Knob Nut M8		
27	2003015	Lower Handle		
28	2003007	Switch		
29	B5787-820	Square Neck Bolt M8×20		
30	B6182-8	Nylon Insert Lock Nut M8		
31	2003008	Compression Spring		
32	2003010	Hair Pin		
33	B/T879-212	Pin 2×12		
34	2003009	Spring Seat		
54	2011031	Cable clamp		
131	B5787-630	Hex Hd. Flange Bolt M6×30		
132	2012302	Control Panel		
160	2012303	Bracket		

NOTE:: “□” just available for B&S6.0HP,  
“■” just available for B&S6.5HP、B&S3.5HP B&S4.0HP  
“△” just available for B&S3.5HP、B&S4.0HP,  
“▲” just available for B&S6.5HP、B&S6.0HP



## MOWER DECK ASSEMBLY

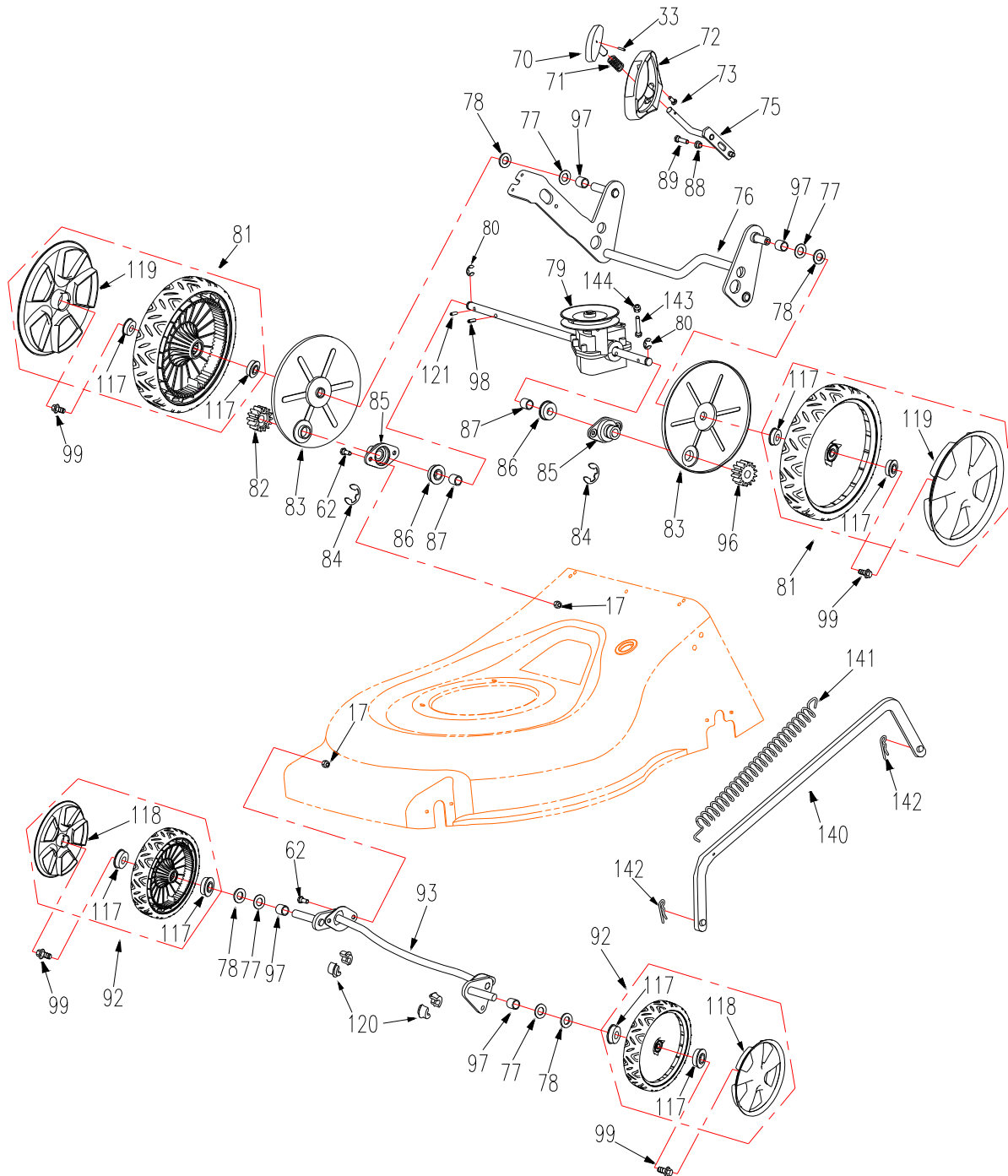
REF NO	PART NO	DESCRIPTION	GTM 460 SP1 C H	GTM 460 SP1 SC
8	B97.1-6	Washer 6		
17	B6182-6	Nylon Insert Lock Nut M6		
30	B6182-8	Nylon Insert Lock Nut M8		
37	2100350	Rod, Rear Cover		
38	2100466	Rear Cover		
41	1812006	Left Bracket		
43	B5787-612	Hex Hd. Flange Bolt M6×16		
44	2000006	Rod. Rear Guard		
47	1812002★	Mulching Plug		
49	1800001A	V-Belt Z762		
51A	B5787-835	Hex Hd. Flange Bolt M8×35		
51B	B5787-865□	Hex Hd. Flange Bolt M8×65		
55	2000019	Pivot Shaft	N	
56A	1808300	Mower Deck		N
56B	1808400	Mower Deck	N	
57	1800016	Mulch Cover	N	
58	1800017	Side Discharge Chute	N	
59	2200021	Torsion Spring	N	
60	2213000	Mounting Bracket	N	
		Discharging Chute		
61	1812005	Height Adjustment Rack, Rear		
62	B5787-616	Hex Hd. Flange Bolt M6×16		
65	4LZ2.16.4-04	Rubber Ring		
66	B91-216	Spring Pin 2×16		
67	1812007	Right Bracket		
68	B801-816	Hex Hd. Flange Bolt M8×16		
69	XSS46-15	Rear Guard		
89	B5787-620	Hex Hd. Flange Bolt M6×20		
130	B96-6	Flat Washer 6		
135	1812001	Front Cover		
136	1812004	Rear Cover Rack		
137	2100369	Torsion Spring		
138	B5285-5513F	Self-screw ST5.5X13F		
139	B93-6	Flat Washer 6		
150	2200058	Baffle Cover. Right		
151	2200057	Baffle Cover .Left		

NOTE: “★” is an option to ALL listed models

“□” just available for B&S 6.0HP B&S 6.5HP

“■” just available for B&S 3.5HP B&S 4.0HP

# DRIVE ASSEMBLY

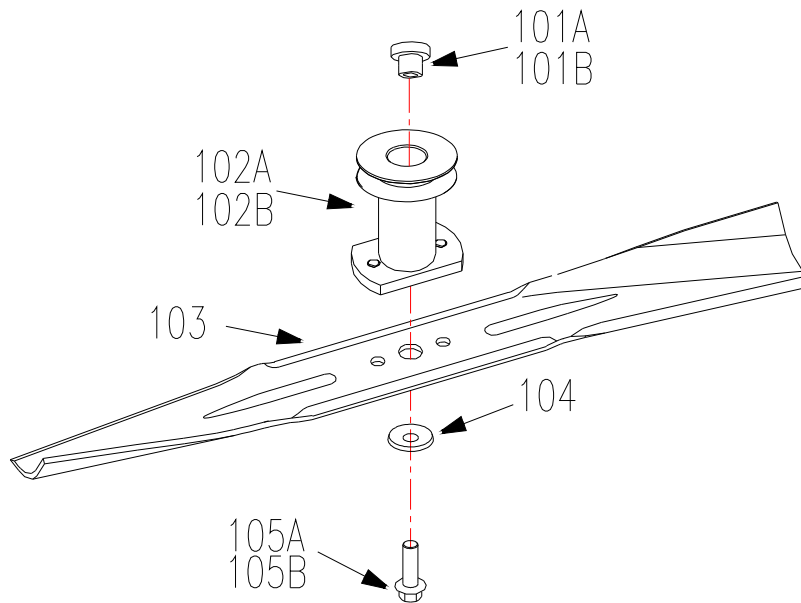


## DRIVE ASSEMBLY

REF NO.	PART NO	DESCRIPTION	GTM 460 SP1 C H	GTM 460 SP1 SC H
17	B6182-6	Nylon Insert Lock Nut M6		
33	B/T879-212	Spring Pin 2×12		
62	B5787-616	Hex Hd. Flange Bolt M6×16		
70	2012701	Switch		
71	2012703	Compression Spring		
72	2012702	Handle Seat		
73	B5783-512	Phillips Hd Screw M5×12		
75	2012710	Rear Handle		
76	1804100	Rear Axle		
77	B97.1-12	Flat Washer 12		
78	B955-12	Flat Washer 12		
79	1807400	Transmission, 1 Speed		
80	B/T896-9	E-Chip 9		
81	01110	11 " Rear Wheel		
82	2200033	Pinion Gear, Right		
83	0110001	Cover		
84	XSZ56-2-06	E-Chip 19		
85	2207002	Bearing Housing		
86	2207003	Bearing 8806		
87	2207001	Bronze Bushing		
88	2007006	Bronze Bushing		
89	B5787-620	Hex Hd. Flange Bolt M6×20		
92	00800	8 " Fore wheel		
93	1809320	Front Shaft Assembly		
96	2200032	Pinion Gear, Left		
97	2007401	Bronze Bushing		
98	B879-516	Pin 5×16		
99	B5787-816	Hex Hd. Flange Bolt M8×16		
117	2201002	Nylon Bearing		
118	00801	Hub Cap		
119	01111	Hub Cap		
120	WORD18-01	Nylon Bearing		
121	XSZ56-2-08	Roll Pin		
140	1805000	Haul Shaft Assembly		
141	2200053	Tension Spring		
142	XSZ56-1-17	Hair Pin		
143	B820-650	Phillips Hd Screw M6X50		
144	B6170-6	Nylon Insert Lock Nut M6		



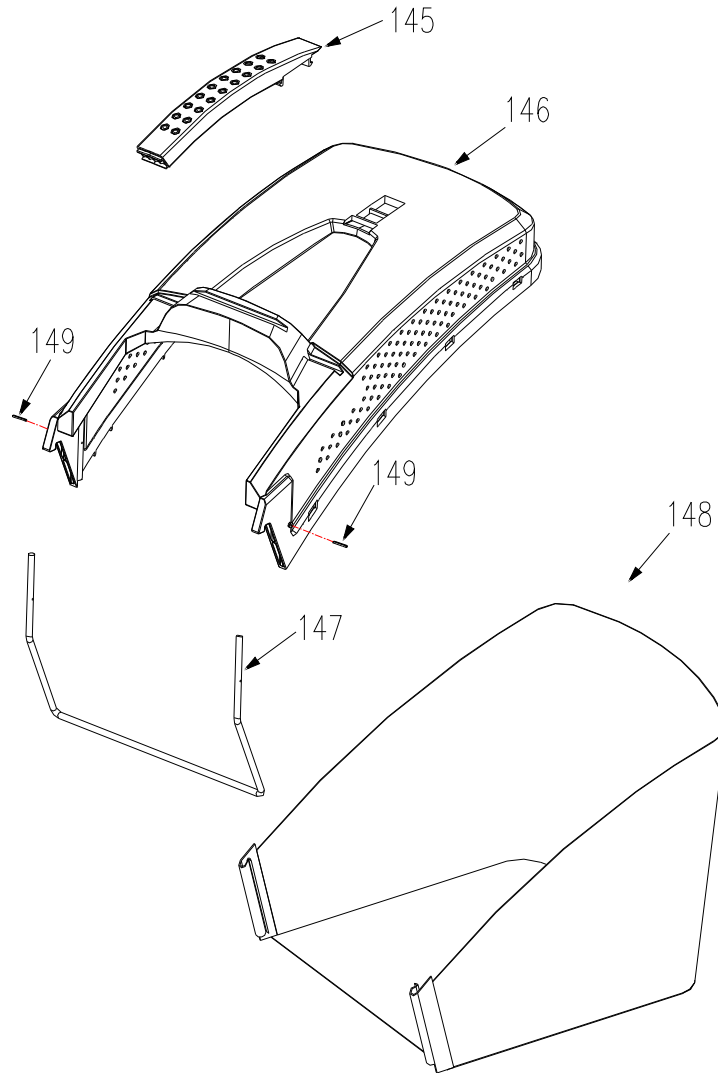
# STRAIGHT BLADE ASSEMBLY



REF NO.	PART NO	DESCRIPTION	GTM 460 SP1 C H	GTM 460 SP1 SC H
101A	1800023○	Blade Bolt		
101B	2019001●	Blade Bolt		
102A	1819100■	Blade adaptor		
102B	1819200□	Blade adaptor		
103	XSS46-01	Blade		
104	XSZ56-2-17	Blade Washer		
105A	WORD18-08A○	Blade Bolt		
105B	2200010●	Blade Bolt		

NOTE: “□” just available for B&S 6.0HP B&S 6.5HP  
 “■” just available for B&S 3.5HP B&S 4.0HP

# GRASS BAG ASSEMBLY



REF NO	PART NO.	DESCRIPTION	GTM 460 SP1 C H	GTM 460 SP1 SC H
145	2100463	Bag Handle		
146	2100465	Upper cover		
147	1806511	Bag Frame		
148	1806520	Fabric Bag		
149	B879-2513	Spring Pin 2.5X13		