

GTM
PROFESSIONAL®

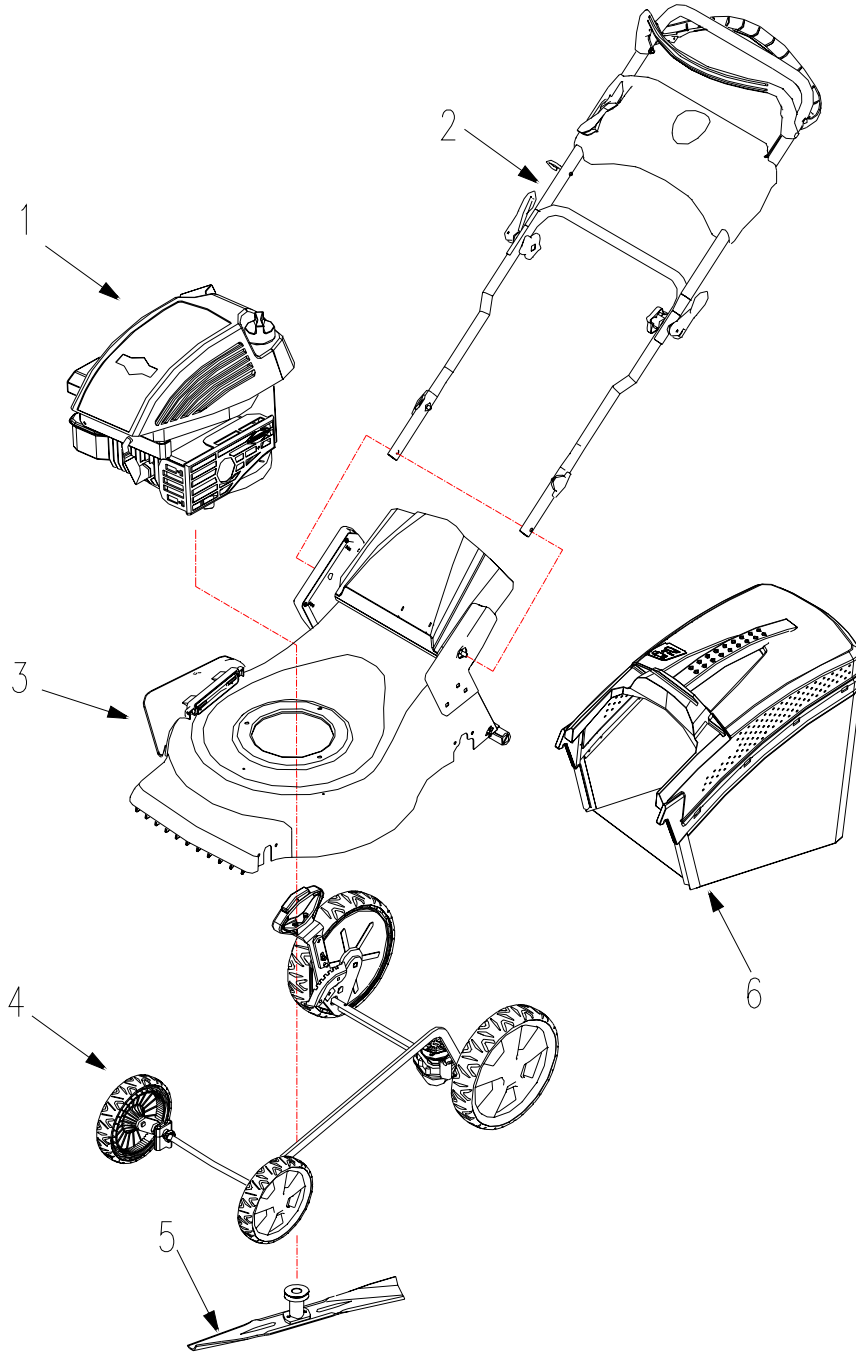
PARTS BOOK
LAWNMOWER GTM460 SP 1 C H
LAWNMOWER GTM460 SP 1 SC H





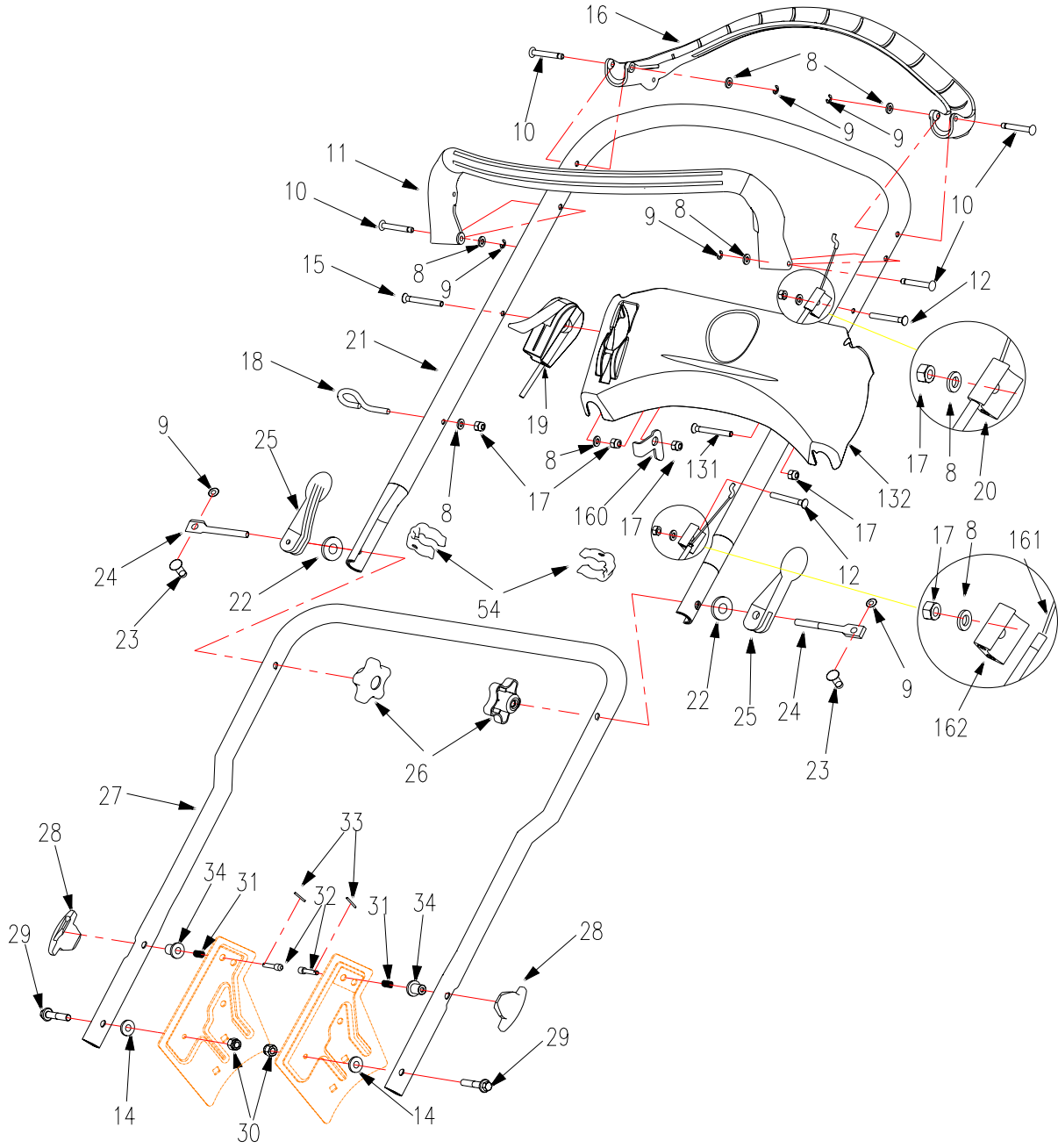
CONTENTS

MOWER ASSEMBLY	1
HANDLEBAR & CONSOLE	2
MOWER DECK ASSEMBLY	4
DRIVE ASSEMBLY	6
STRAIGHT BLADE ASSEMBLY	8
GRASS BAG ASSEMBLY	9



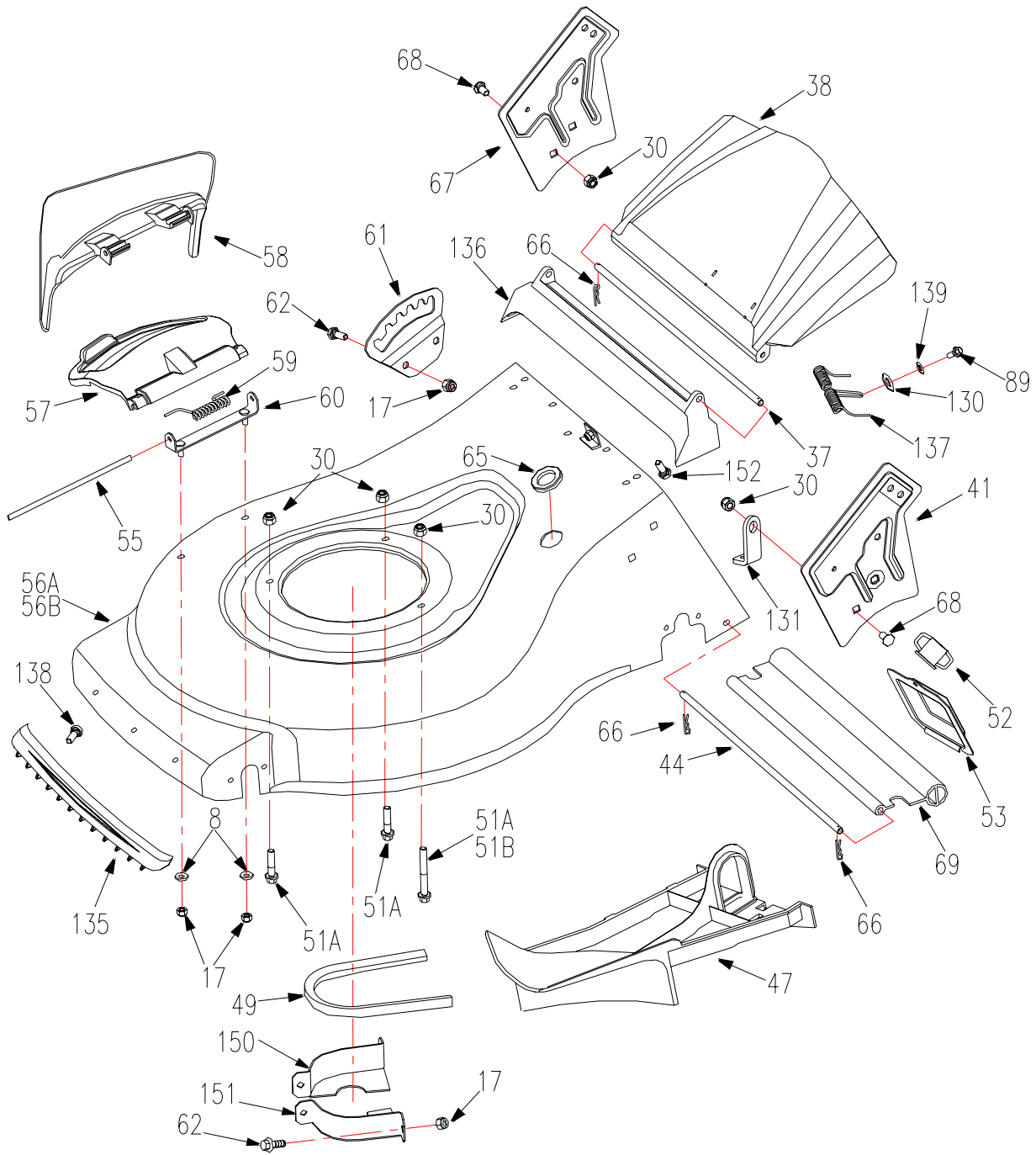
REF NO.	PART NO.	DESCRIPTION	GTM460 SP1 C H	GTM460 SP1 SC H
1		Engine		
2		Handlebar & Console		
3		Mower Deck Assembly		
4		Drive Assembly		
5		Straight Blade Assembly		
6		Grass Bag Assembly		

HANDLEBAR & CONSOLE



REF NO.	PART NO.	DESCRIPTION	GTM460 SP1 C H	GTM460 SP1 SC H
8	B97.1-6	Flat Washer 6mm		
9	B896-5	E-Clip 5mm		
10	2003013	pin roll		
11	2003016	Blade Control Handle		
12	B820-640	Screw M6x40		
14	2000035	Bushing		
15	B5787-660	Hex Hd. Flange Bolt M6x60mm		
16	2003012	Drive Clutch Lever		
17	B6182-6	Nut M6		
18	WORD18.6-05	Guy hook		
19	2215300	Throttle Control system		
20	2203348	Cable unit		
21	2012301	Upper Handlebar		
22	2003022	Washer		
23	2003023	pin roll		
24	2003021	Screw		
25	2003024	Quick Fix Handle		
26	XSZ56-1-09	Knob Nut M8mm		
27	2003015	Lower Handlebar		
28	2003007	knob		
29	B5787-820	Hex Hd. Flange Bolt M8x20mm		
30	B6182-8	Nylon Insert Lock Nut M8mm		
31	2003008	Pressure spring		
32	2003010	Hair Pin		
33	B879-212	Spring Pin2×12		
34	2003009	Pressure spring		
54	2011031	Cable Clamp		
131	B5787-630	Hex Hd. Flange Bolt M6x30mm		
132	2012302	Panel		
160	2012303	Platen		
161	2012401	Clutch arrows		
162	2011022	Permanent seat		

MOWER DECK ASSEMBLY

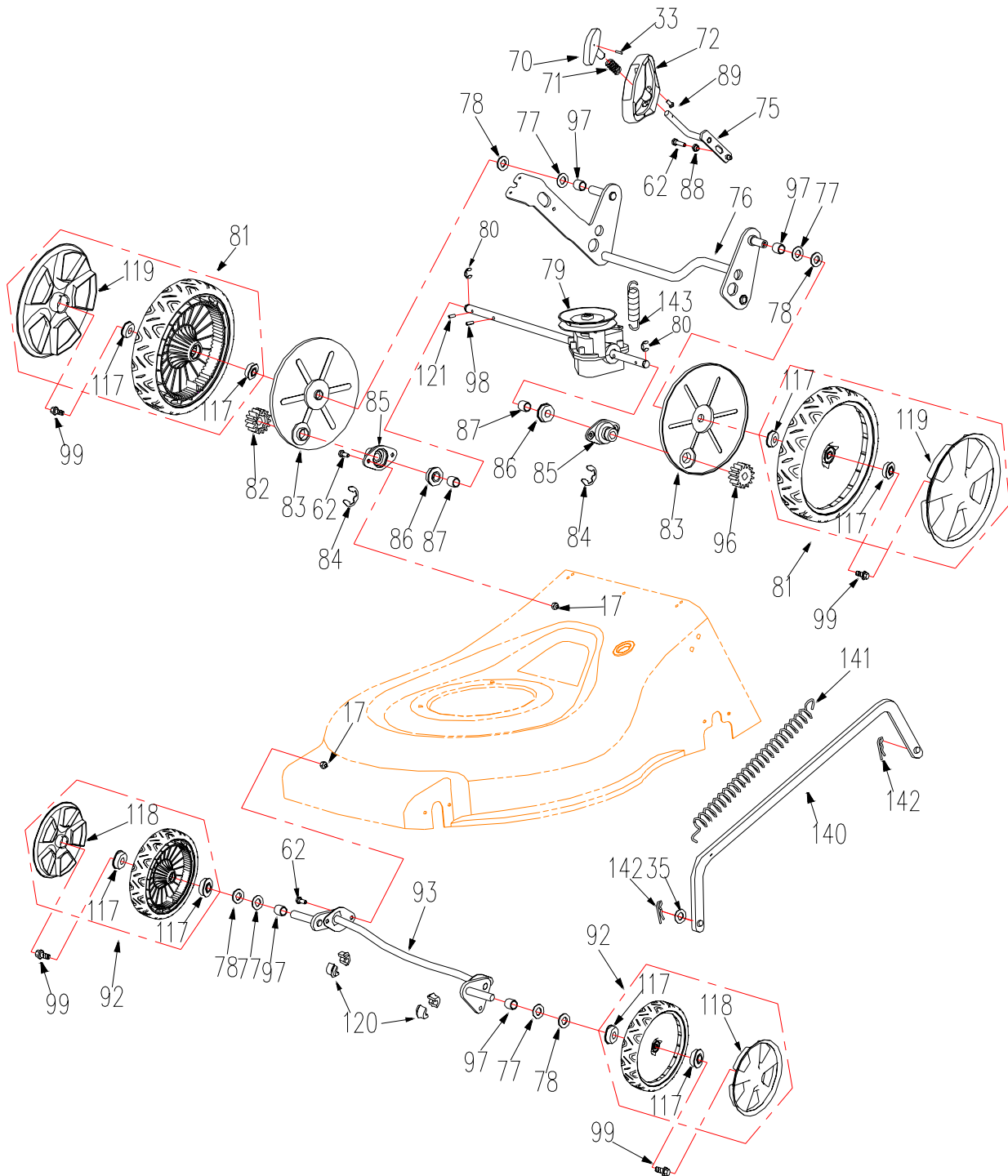


REF	PART NO.	DESCRIPTION	GTM460 SP1 C H	GTM460 SP1 SC H
8	B97.1-6	Flat Washer 6mm		
17	B6182-6	Nylon Insert Lock Nut		
30	B6182-8	Nylon Insert Lock Nut		
37	2100350	Rod, Rear Cover		
38	2100466	Rear Cover		
41	1812006	Left Bracket		
44	2000006	Rod, Rear Guard		
47	1812002★	Mulching Plug		
49	1812003	V-belt Z750		
51A	B5787-835	Hex Hd. Flange Bolt		
51B	B5787-865□	Hex Hd. Flange Bolt		
52	2100012	Swing nut		
53	1813011	Bafflt		
55	2000019	Pivot Shaft	N	
56A	1813800	Mower Deck		N
56B	1813810	Mower Deck	N	
57	1813012	Mulch Cover	N	
58	1813005	Side Discharge Chute	N	
59	2200021	Torsion Spring	N	
60	2213000	Mounting Bracket,	N	
61	1812005	Height Adjustment Rack		
62	B5787-616	Hex Hd. Flange Bolt		
65	4LZ2.16.4-04	Rubber Ring		
66	B91-216	Hair Pin		
67	1812007	Right Bracket		
68	B801-816	Square Neck Bolt		
69	XSS46-15	Rear Guard		
89	B5787-620	Bolt M6x20		
130	B96-6	Washer 6		
131	2100496	Support plate		
135	1813006	Grass Comb		
136	1812004	Rear Cover Bracket		
137	2100369	Torsion Spring		
138	B5285-5513F	Self-tapping screw		
139	B93-6	Flat Washer 6mm		
150	2200058	Right Wheel Spad		
151	2200057	Left Wheel Spad		
152	B5285-5519C	Self-tapping screw		

Note: 1、“★” is the appendix, must separately select and purchase.

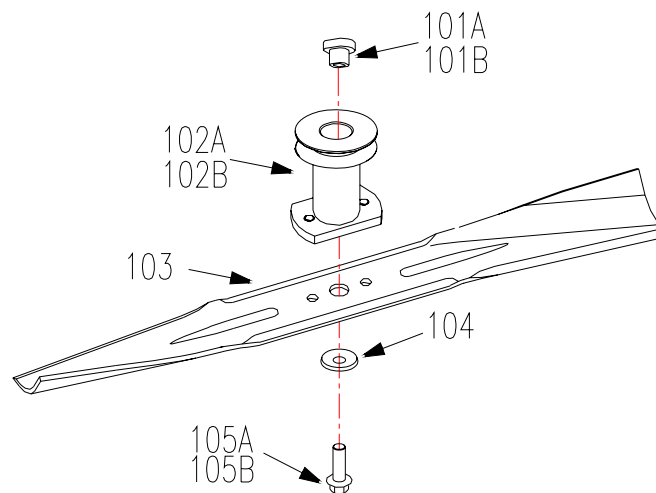
2、“□” is use for B&S6. 0HP、B&S6. 5HP, “■” is use for B&S3. 5 or4. 0HP,

DRIVE ASSEMBLY



REF	PART NO.	DESCRIPTION	GTM460 SP1 C H	GTM460 SP1 SC H
17	B6182-6	Nut M6		
33	B879-212	Spring Pin 2×12		
35	2000086	Flat Washer 8mm		
62	B5787-616	Hex Hd. Flange Bolt M6x16mm		
70	2012701	Knob		
71	2012703	Pressure spring		
72	2012702	Handle		
75	2012710	Handle, Rear		
76	1804200	Rear Axle Assembly		
77	B97.1-12	Flat Washer 12 mm		
78	B955-12	Wave Spring Washer 12mm		
79	84560	gear box		
80	B896-9	E-Clip 9mm		
81	01110	11 " Wheel		
82	2200033	Pinion Gear, Right		
83	0110001	Cover		
84	XSZ56-2-06	E-Clip 19mm		
85	2207002	Bearing Housing		
86	2207003	Wheel Bearing 1/2"		
87	2207001	Bronze Bushing		
88	2007006	Bushing		
89	B5787-620	Bolt M6x20		
92	00800	8 " Wheel		
93	1809320	Front Shaft Assembly		
96	2200032	Pinion Gear, Left		
97	2007401	Bushing		
98	B879-516	Spring Pin 5×16mm		
99	B5787-816	Hex Hd. Flange Bolt M8x16mm		
117	2201002	Bearing		
118	00801	Hub Cap		
119	01111	Hub Cap		
120	WORD18-01	Nylon Bearing		
121	XSZ56-2-08	Roll Pin		
140	1805000	Mower Deck Assembly		
141	2200053	Tension Spring		
142	XSZ56-1-17	Hair Pin		
143	1812009	Tension spring		

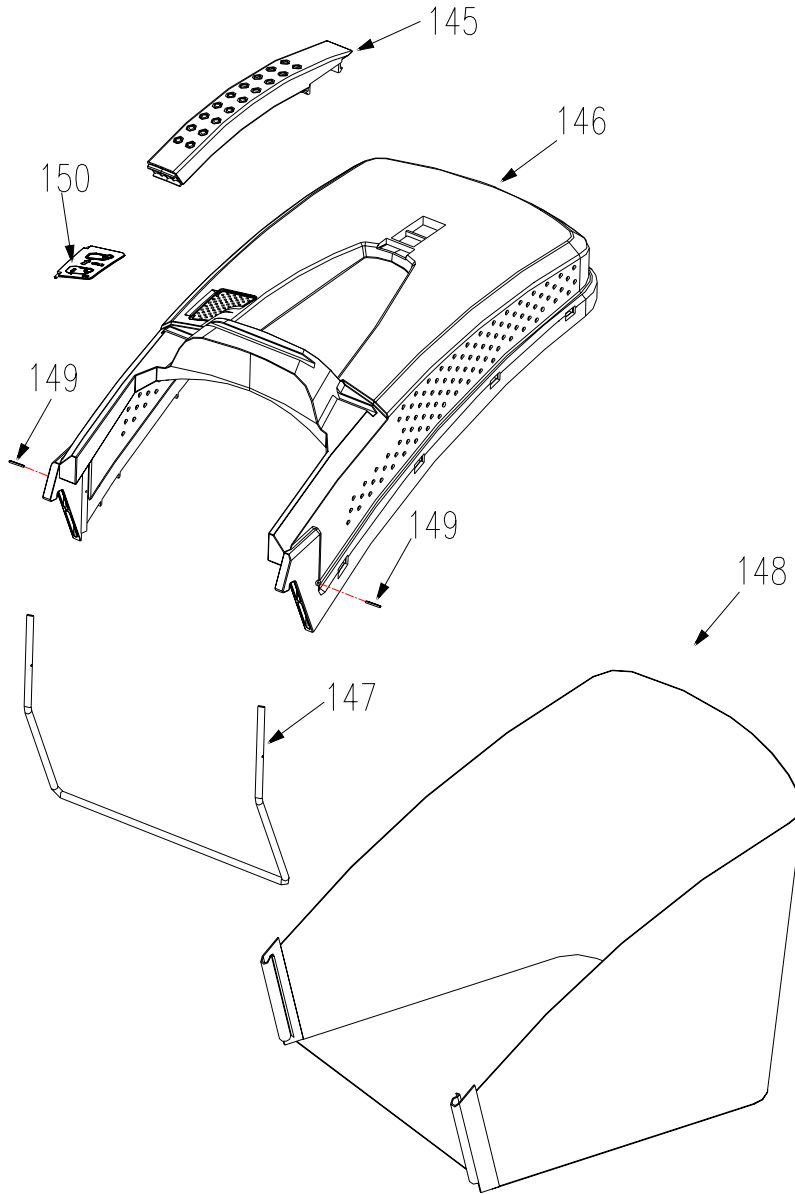
BLADE ASSEMBLY



REF NO.	PART NO.	DESCRIPTION	GTM460 SP1 C H	GTM460 SP1 SC H
101A	1819001○	Bushing		
101B	2019001●	Bushing		
102A	1819100■	Blade Adaptor		
102B	1819200□	Blade Adaptor		
103	XSS46-01	Blade		
104	XSZ56-2-17	Washer		
105A	WORD18-08A○	Hex Hd. Bolt 3/8"-24/1"x1-3/4"		
105B	2200010●	Hex Hd. Bolt 3/8" -24 /1" x2"		

Note: 1、“□” is use for B&S6. 0HP、B&S6. 5HP, “■” is use for B&S3. 75 or4. 0 or4. 5HP, ;

2、“○” is use for European and American area, “●” s use for Europe and America outside local.



REF NO.	PART NO.	DESCRIPTION	GTM460 SP1 C H	GTM460 SP1 SC H
145	2100463A	Grass Bag Handle		
146	2100467A	Grass Bag Cover		
147	2012611	Bag Frame		
148	1806520	Grass Bag Assembly		
149	B879-2513	Spring pin 2.5X13		
150	2100446A	Access plate		