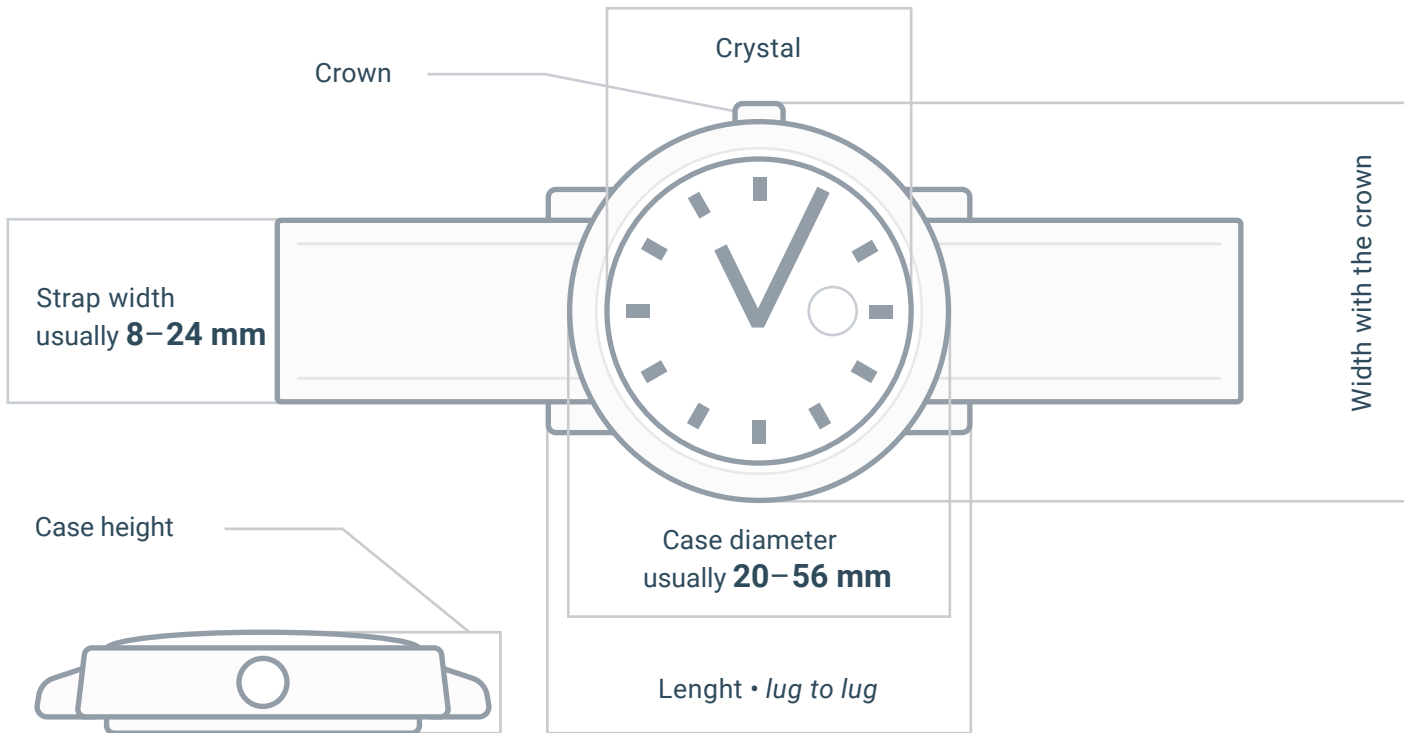


# Wristwatch size chart

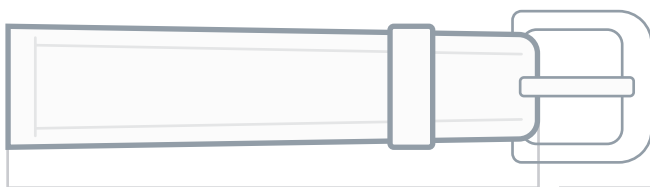
The format of this page is A4 • 210 x 197 mm



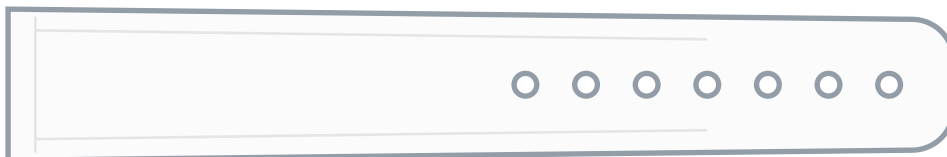
Extra long  
**95 mm**



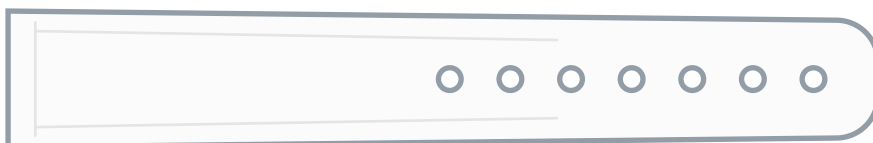
Men's  
**75 mm**



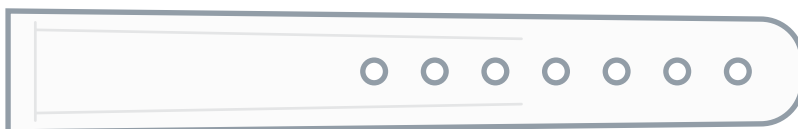
Women's  
**70 mm**



Extra long  
**125 mm**



Men's  
**115 mm**



Women's  
**105 mm**

10 cm • 100 mm

1 cm

# Wristwatch size chart



## Strap widths

It should be half the diameter of the case

