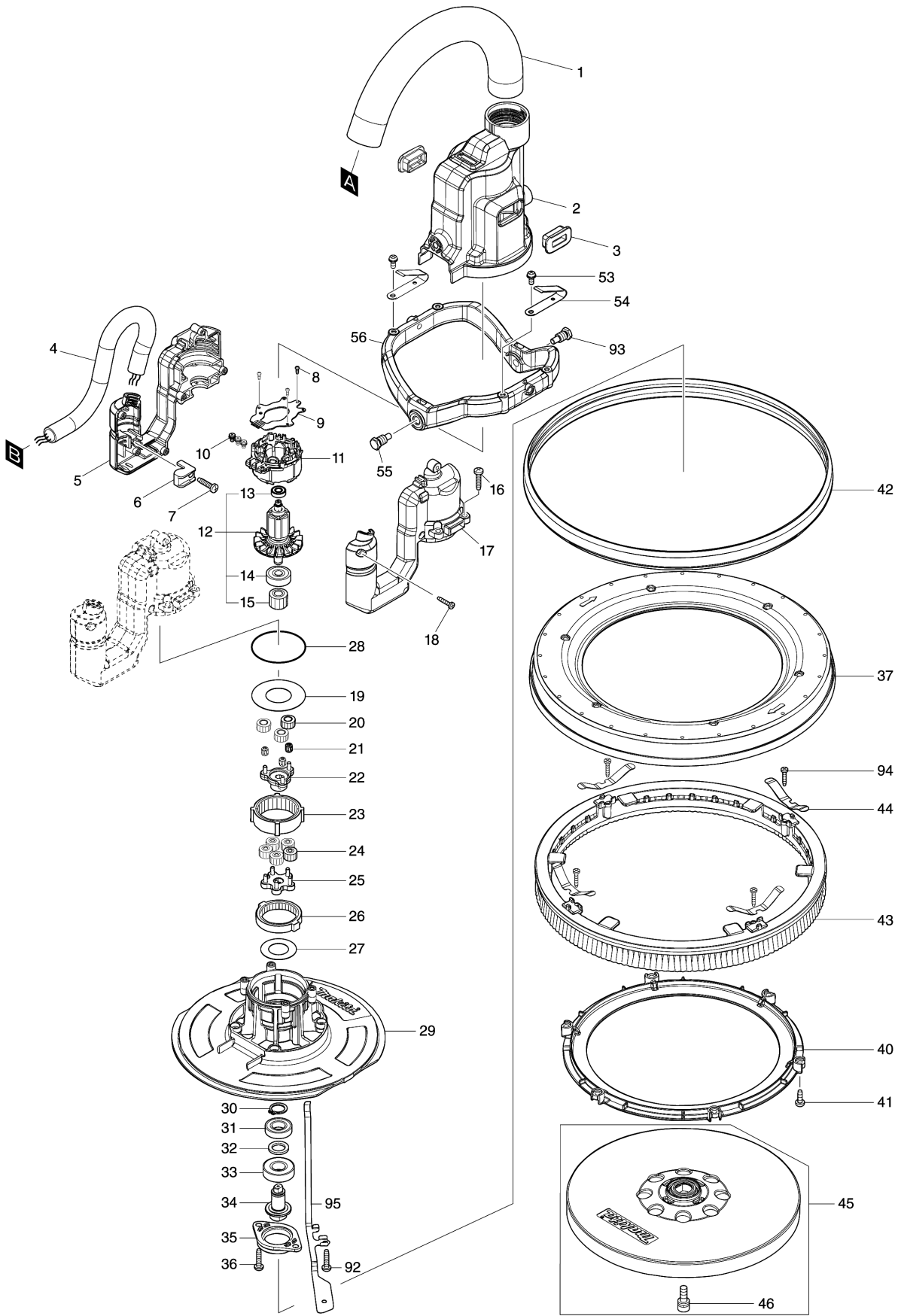


Model No.DSL801 225MM CORDLESS DRYWALL SANDER



Model No.DSL801 225MM CORDLESS DRYWALL SANDER



Model No.DSL801 225MM CORDLESS DRYWALL SANDER

Položka	Číslo dílu	Popis	Změna	Množství	New/Old	Možnost 1	Možnost 2	Poznámka
001	245058-4	HOSE 28-0.25		1				
002	459217-6	HEAD COVER		1				
003	422446-4	RUBBER CAP		2				
004	699129-3	POWER SUPPLY CORD UNIT		1				
005	183L77-3	MOTOR HOUSING SET		1				
D10		INC. 17						
006	687261-5	STRAIN RELIEF		1				
007	265995-6	šroub 4x18 = old 265941-9		1				
008	266490-9	TAPPING SCREW PT 2X6		3				
009	620B02-8	CONTROLLER B		1				
010	652069-6	FLAT HEAD SCREW M3X6		3				
011	629409-3	STATOR		1				
012	519568-0	ROTOR ASSY		1				
D10		INC. 13-15						
013	210039-7	BALL BEARING 695DDW		1				
014	210023-2	kuličkové ložisko 627 DDW		1				
015	226888-2	SPUR GEAR 19		1				
016	265995-6	šroub 4x18 = old 265941-9		4				
017	183L77-3	MOTOR HOUSING SET		1				
D10		INC. 5						
018	266429-2	TAPPING SCREW 3X16		6				
019	253437-2	FLAT WASHER 23		1				
020	226886-6	SPUR GEAR 14		3				
021	212131-5	NEEDLE CAGE 307		3				
022	140J82-1	SPUR GEAR 17 COMPLETE		1				
023	226890-5	INTERNAL GEAR 47		1				
024	226885-8	SPUR GEAR 13		5				
025	140J81-3	CARRIER COMPLETE		1				
026	226889-0	INTERNAL GEAR 43		1				
027	267789-5	FLAT WASHER 18		1				
028	213606-7	o-kroužek 48		1				
029	413828-1	GEAR HOUSING		1				
030	961052-5	segrovka vnější S-12		1				
031	211150-8	ložisko 6935FD		1				
032	253746-9	FLAT WASHER 12		1				
033	210105-0	ložisko PW5000CH		1				
034	327318-7	SPINDLE		1				
035	319823-8	BEARING RETAINER 47		1				
036	265995-6	šroub 4x18 = old 265941-9		2				
037	413488-9	COVER		1				
C10	931102-0	matka M4		6				
040	413489-7	BRUSH STOPPER		1				
041	911123-8	šroub M4x14		6				
042	422729-2	RUBBER GUARD		1				
043	743127-0	BRUSH		1				

Model No.DSL801 225MM CORDLESS DRYWALL SANDER

Položka	Číslo dílu	Popis	Změna	Množství	New/Old	Možnost 1	Možnost 2	Poznámka
044	232510-1	LEAF SPRING		4				
045	199939-3	PAD 210 SET		1				
D10		INC. 46						
046	922323-5	HEX.SOCKET HEAD BOLT M6X16		1				
047	413490-2	HOSE CONNECTOR		1				
049	422617-3	JOINT		1				
051	140N60-5	PIPE A COMPLETE		1				
D10		INC. 68						
052	183T15-3	ARM SET		1				
D10		INC. 57						
053	911113-1	šroub M4x10		2				
054	232534-7	LEAF SPRING		2				
055	265A35-6	HEX. BOLT M8X17		1				
056	319808-4	FRAME		1				
057	183T15-3	ARM SET		1				
D10		INC. 52						
058	262561-0	SLEEVE 6		2				
059	911334-5	PAN HEAD SCREW M6X20		2				
060	265995-6	šroub 4x18 = old 265941-9		4				
061	183L78-1	PIPE HOUSING SET		1				
D10		INC. 65						
062	459226-5	LOCK RING		1				
063	140J84-7	LOCK SLEEVE COMPLETE		1				
064	140L61-1	PIPE B COMPLETE		1				
C10	459225-7	PIPE STOPPER B		1				
065	183L78-1	PIPE HOUSING SET		1				
D10		INC. 61						
066	265995-6	šroub 4x18 = old 265941-9		4				
067	266050-7	šroub 4x30		3				
068	459224-9	PIPE STOPPER A		1				
069	459228-1	CORD HOLDER		1				
070	913106-4	Set Screw M4x8		1				
071	140J83-9	INDICATOR PANEL COMPLETE		1				
072	183L75-7	HANDLE SET		1				
C10	263005-3	vymezovací čep 6		2				
D10		INC. 88						
073	346248-3	CLAMP 24		1				
074	265995-6	šroub 4x18 = old 265941-9		1				
075	127672-7	DUST NOZZLE ASSY		1				
D10		INC. 97-99			*			
076	459229-9	CORD COVER		1				
077	265995-6	šroub 4x18 = old 265941-9		2				
078	620796-3	DIAL CIRCUIT		1				
079	459230-4	LOCK OFF BUTTON		1				

Model No.DSL801 225MM CORDLESS DRYWALL SANDER

Položka	Číslo dílu	Popis	Změna	Množství	New/Old	Možnost 1	Možnost 2	Poznámka
080	231433-0	vinutá pružina		1				
081	419705-5	LOCK ON BUTTON		1				
082	651083-9	SWITCH C3XA-1PSPM		1				
083	459231-2	SWITCH LEVER		1				
084	231433-0	vinutá pružina		1				
085	620B01-0	CONTROLLER		1				
086	644809-6	TERMINAL		1				
087	811L28-3	DSL801 SERIAL NO. LABEL		1				
088	183L75-7	HANDLE SET		1				
C10	263005-3	vymezovací čep 6		2				
D10		INC. 72						
089	140F99-0	CAP COMPLETE		1				
C10	213218-6	o kroužek		1				
C20	818H07-8	CAP LABEL		1				
090	811L21-7	DSL801 NAME PLATE		1				
091	265995-6	šroub 4x18 = old 265941-9		10				
092	265995-6	šroub 4x18 = old 265941-9		4				
093	265A68-1	HEX. BOLT M8X22		1				
094	266429-2	TAPPING SCREW 3X16		4				
095	347816-5	EARTH PLATE A		1				
096	412987-8	RIVET 7		1				
097	412812-3	DUST NOZZLE A		1	*			
098	213459-4	o-kroužek 32		1	*			
099	412813-1	DUST NOZZLE B		1	*			
A01	B-68404	ABRASIVE PAPER DISC 225-120		1				
A02	783217-7	HEX. WRENCH 5		1				
A03	195638-5	TOOL BAG SET		1				
A04	835B53-0	INNER TRAY		1				
A05B	198900-7	WIRELESS UNIT SET		1	*			
A05C	198900-7	WIRELESS UNIT SET		1	*			
A05-1B	198900-7	WIRELESS UNIT SET	<	1	*			
A05-1C	198900-7	WIRELESS UNIT SET	<	1	*			
A05-2B	198900-7	WIRELESS UNIT SET	<	1				
A05-2C	198900-7	WIRELESS UNIT SET	<	1				
A06C	450128-8	kryt baterie		2				
A07C	***DC18RC	DC18RC FAST CHARGER		1				
D10		COMPO-PARTS						
A08C	197280-8	BATTERY BL1850B SET		2				

Please order the parts with part number.

Print Date 7/9/2021