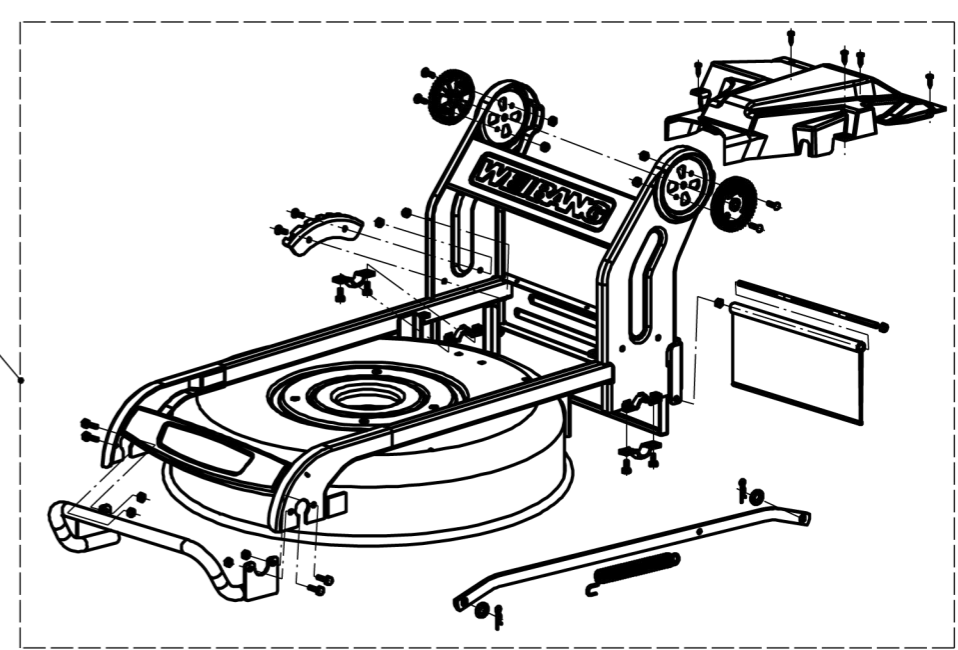
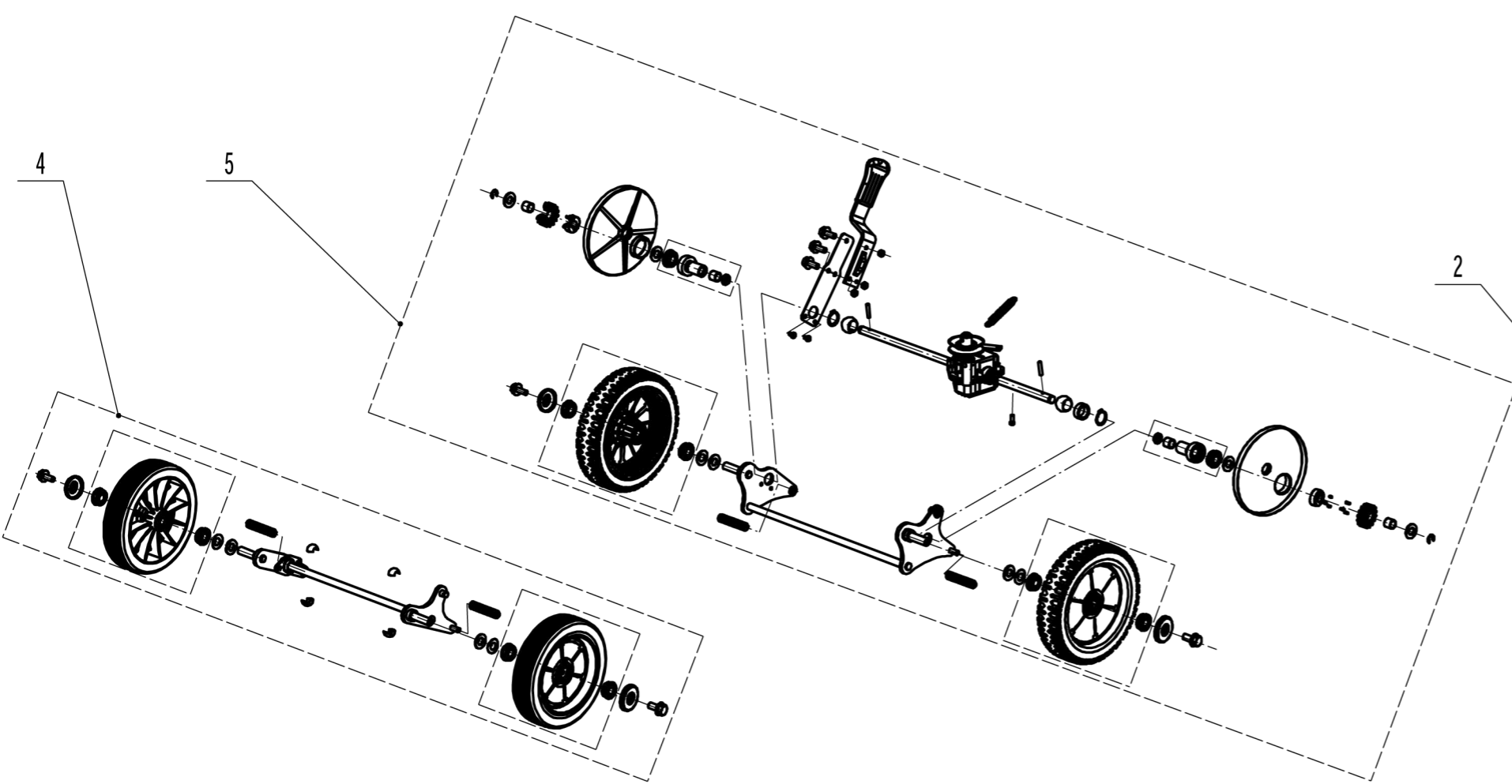
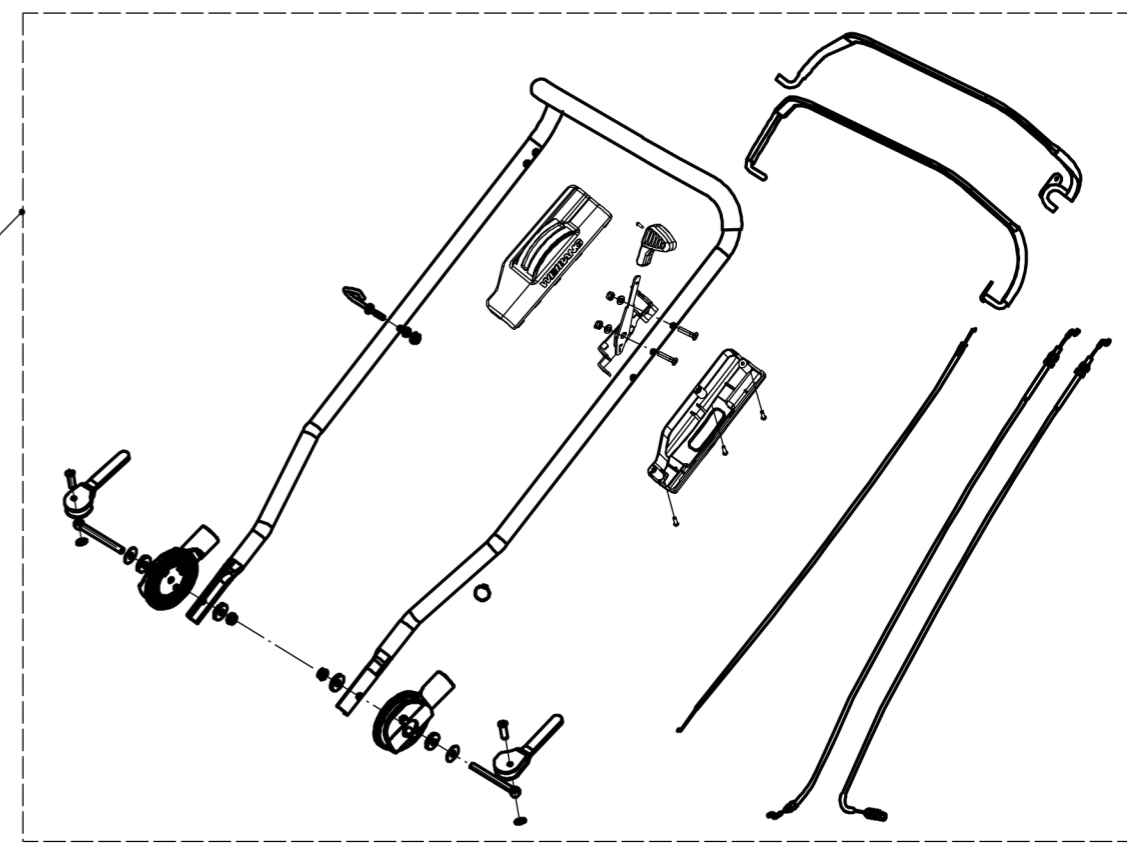
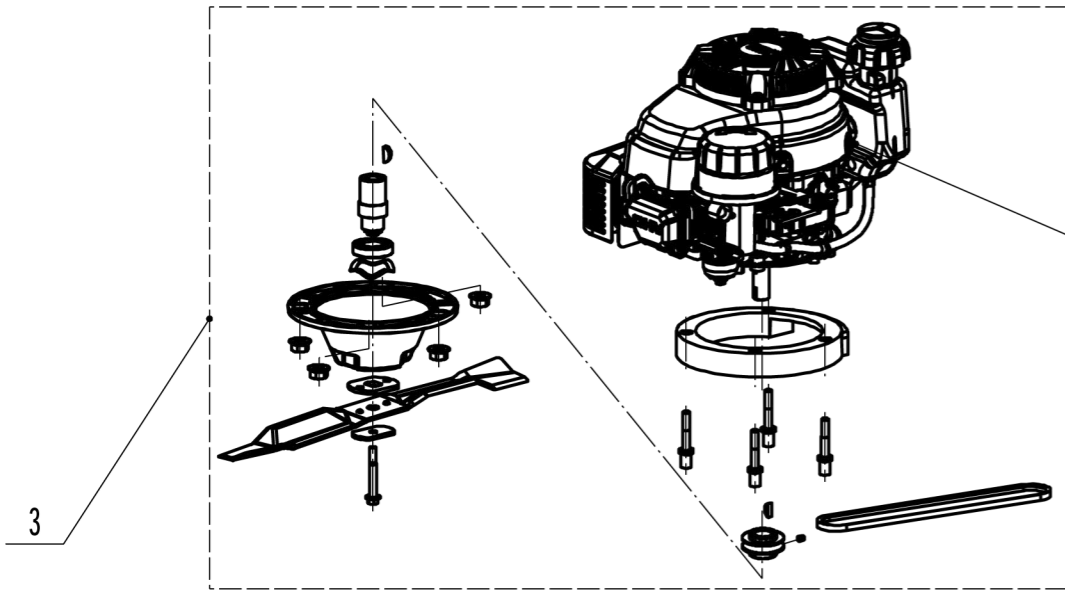


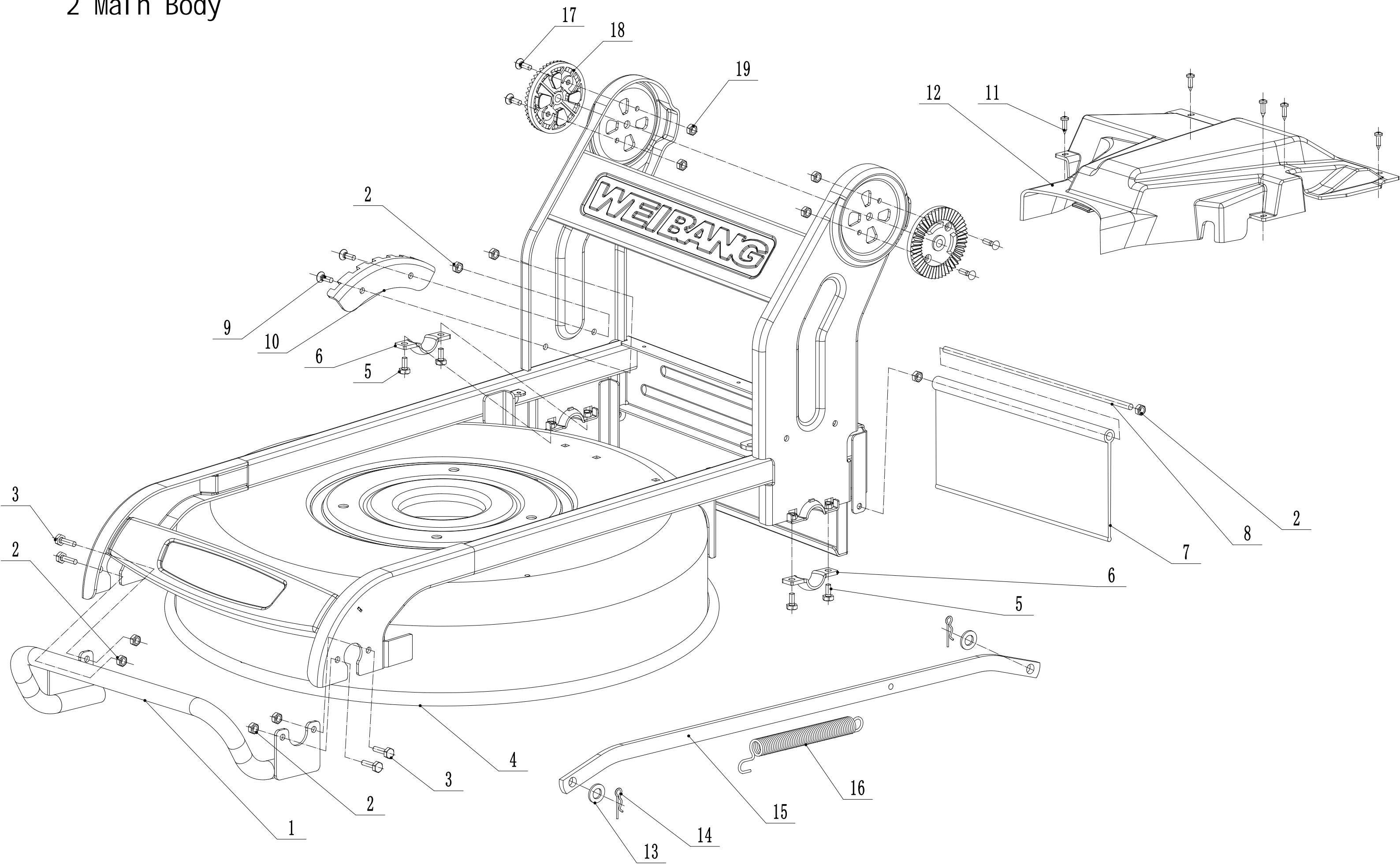
Weibang WB 537 SCM

2021

WEIBANG[®]
GARDEN MACHINES

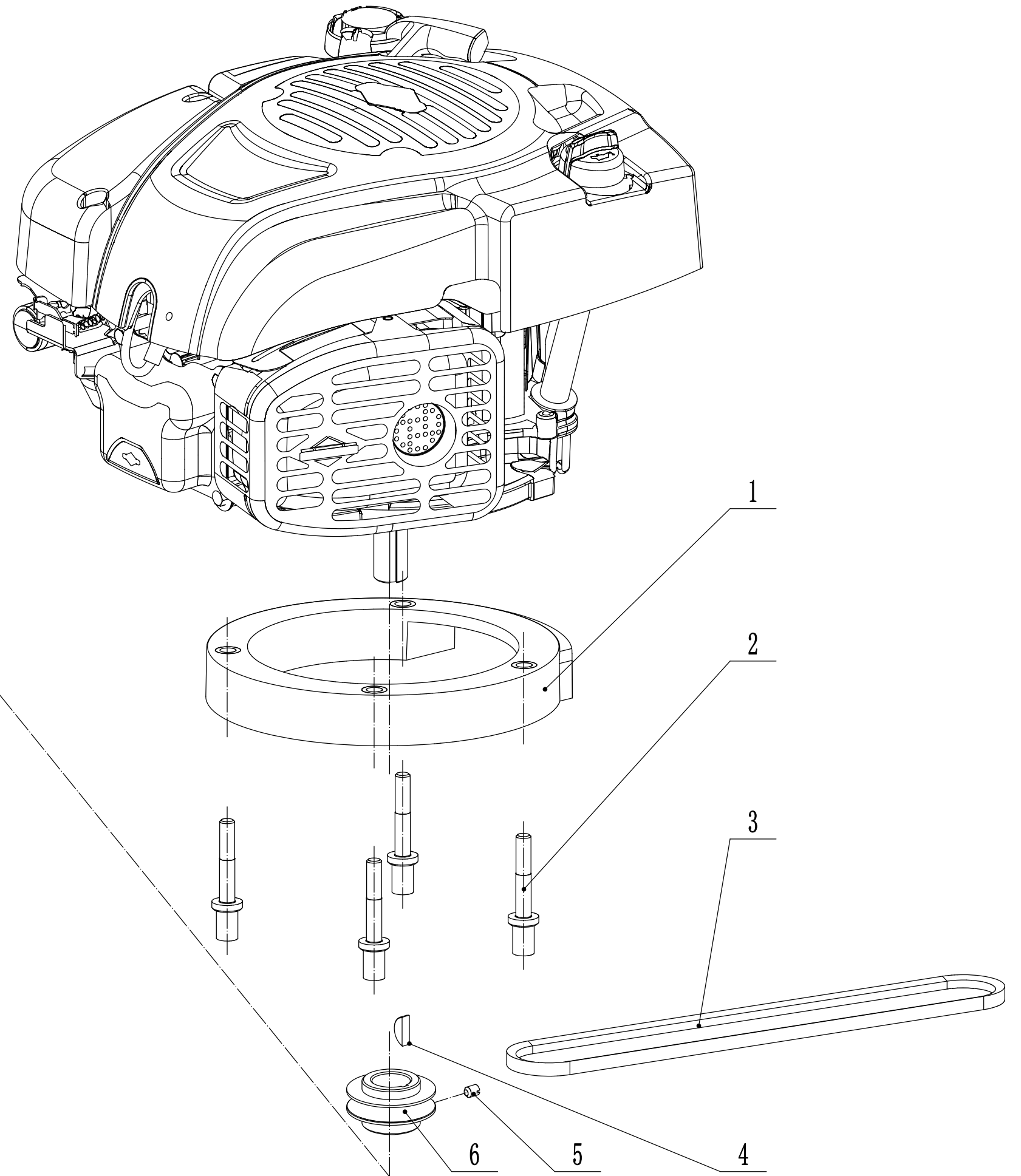
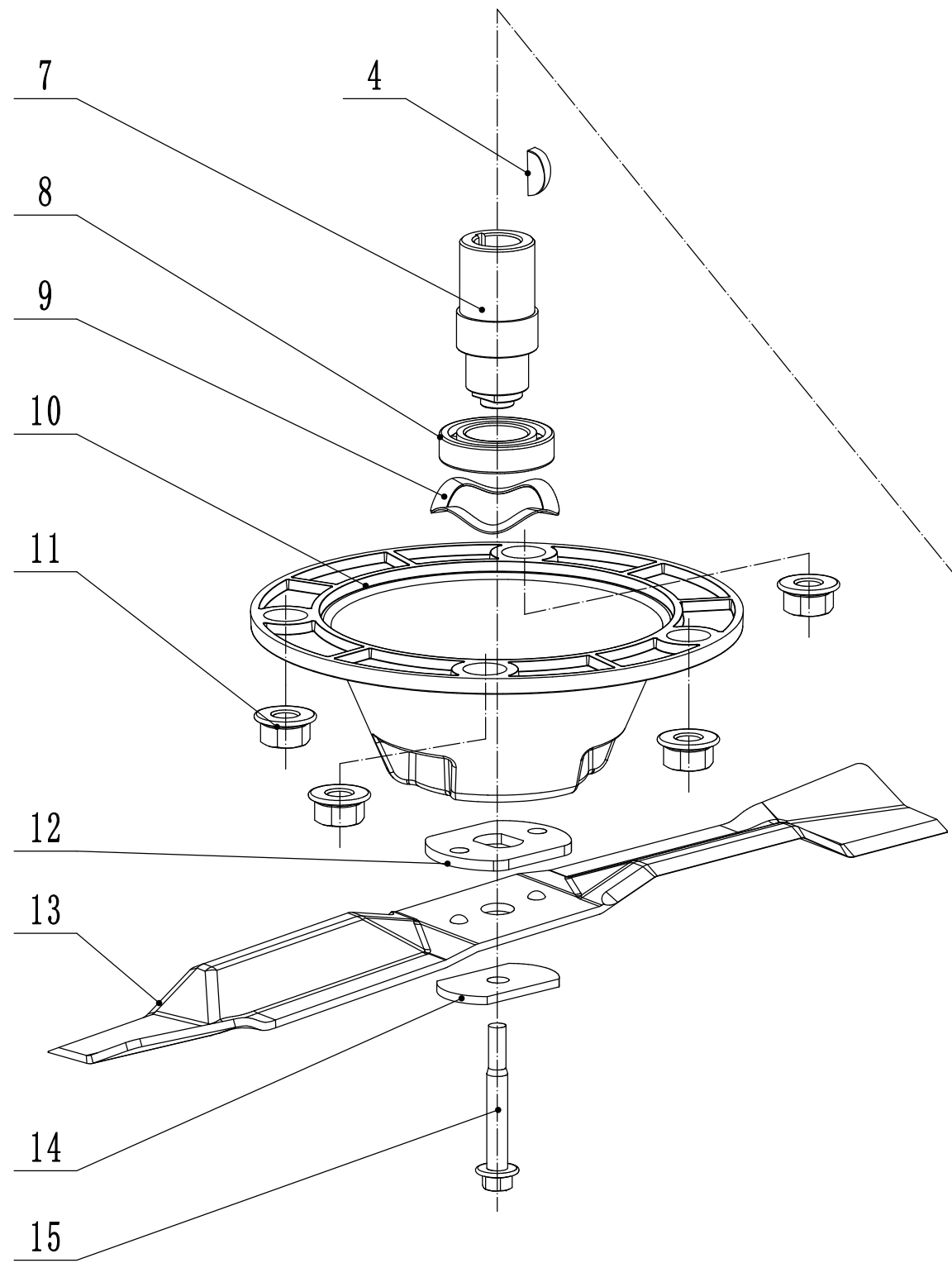


2 Main Body



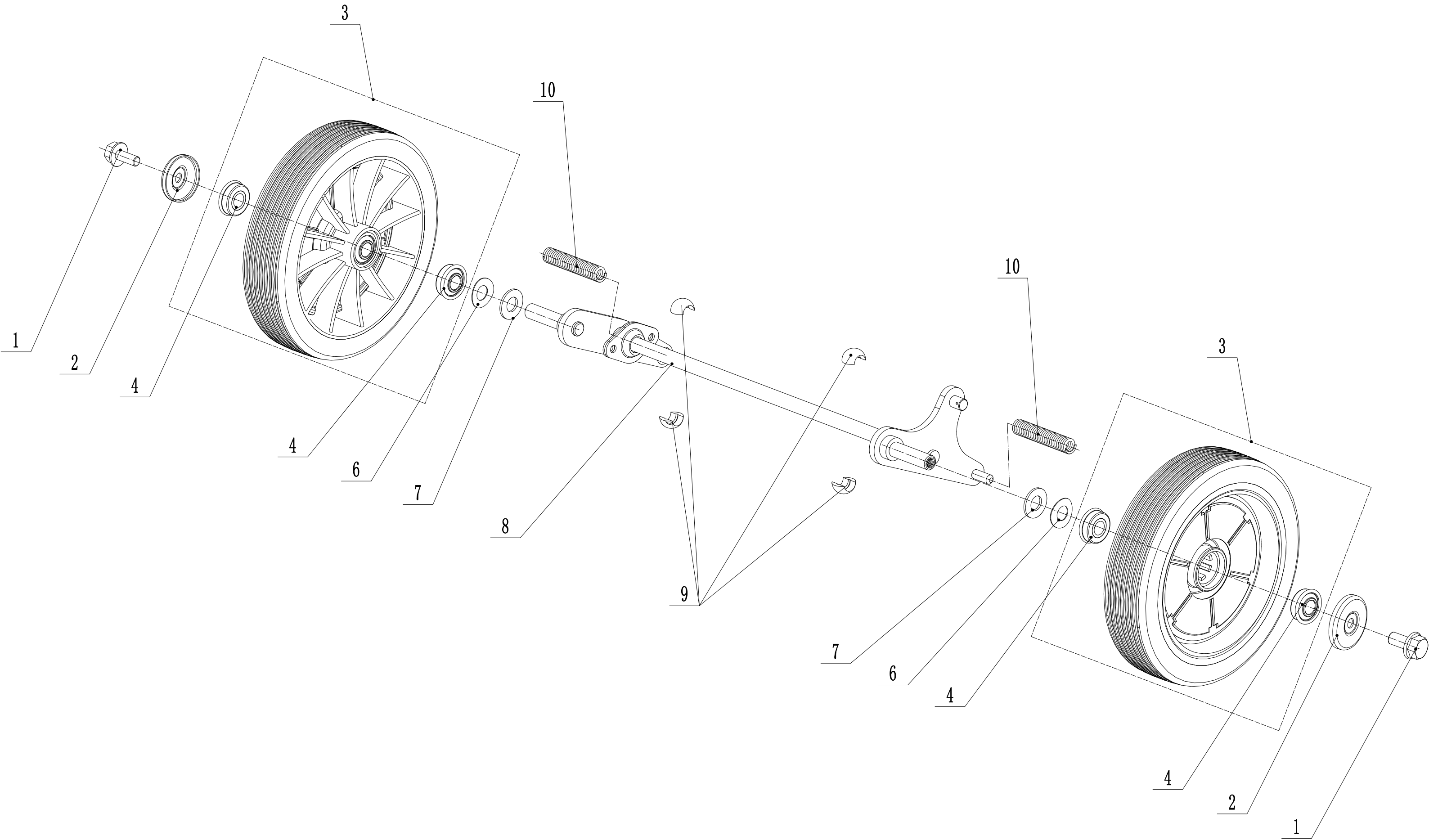
Part 2 - Main Body Spare parts		
No.	ID Zboží	Název
1	GM53A040000000/40	Bumper
2	0202006000	Lock Nut - M6
3	0102006018	Bolt - M6x18
4	GM53F010000000/49	Chassis
5	0102006012	Bolt - M6x12
6	5320114020/01	Bearing Holder
7	GM53A000000080	Trailing Flap
8	4510112020/02	Rod - Trailing Flap
9	0104006016	Screw - M6x16
10	GM53A000000030/01	Graduator
11	0106004010	Screw - ST4.2x10
12	GM53A000000020	Rear Shield
13	0301010000	Washer - M10
14	5320333010	Check Ring
15	GM53A000000040/40	Connecting Rod
16	GM53F000000010/01	Spring - Connecting Rod
17	0104005012	Screw - M5x12
18	AVSA000000040/22	Tooth Disc
19	0202005000	Lock Nut - M5

3 Blade System



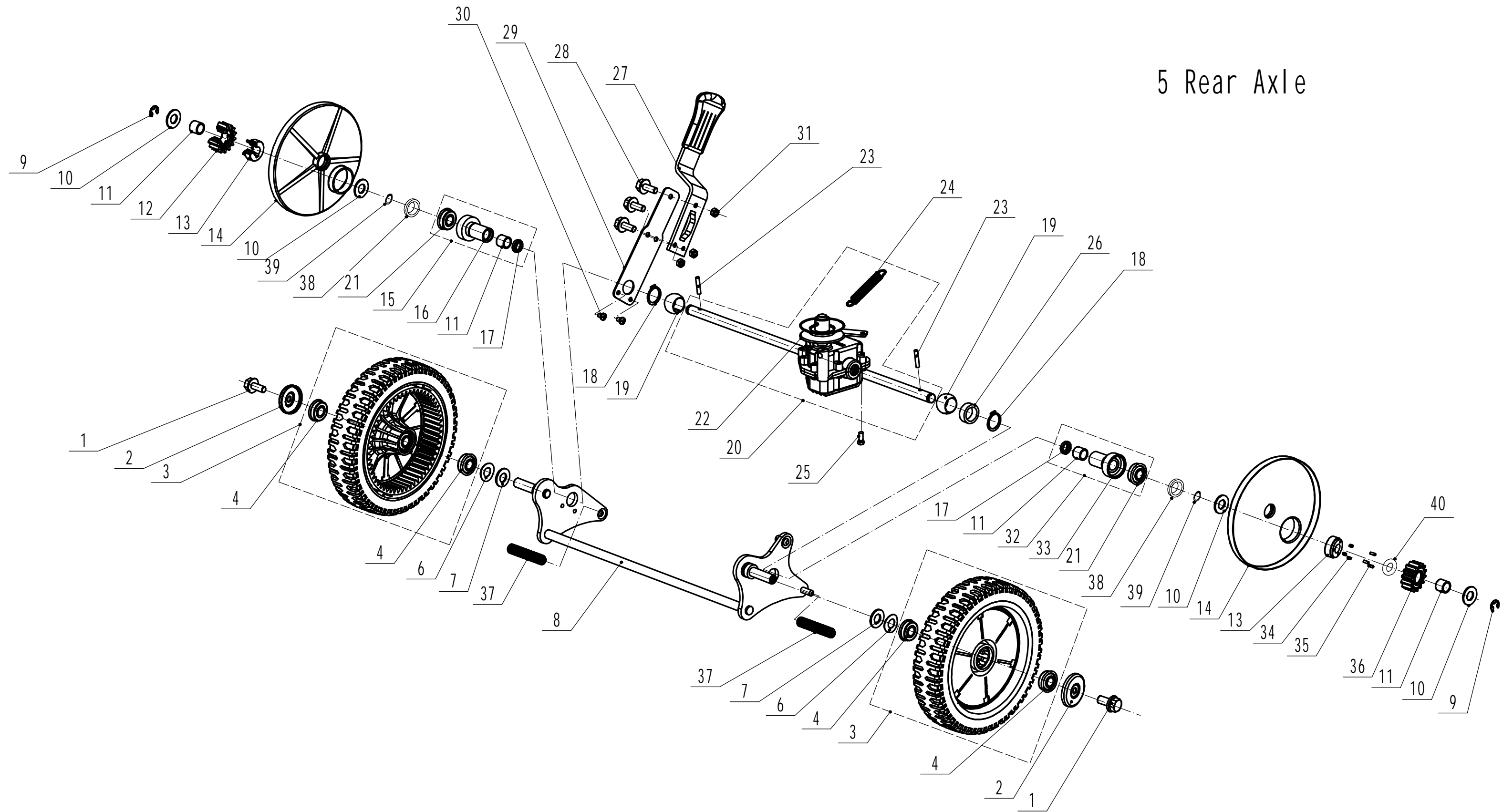
Part 3 - blade component Spare parts		
No.	ID Zboží	Název
1	GM53A050000000	Engine Base
2	GM53A000000070/02	Bolt
3	VB53M10/845	Belt - V10x805
4	4510401010	Key
5	0105006006	Screw - M6x6
6	5020402070/02	Pulley
7	GM53A000000050/02	Adaptor
8	6006/2RS	Bearing
9	GM53A000000120	Wave Washer
10	GM53A000000010	Spindle Bracket
11	0204014000	Lock Nut - M14
12	GM53A000000060/02	Spacer
13	GM53A000000110/22	Blade
14	4510407010/04	Spring Washer
15	XYJ-200011	Blade Bolt

4 Front Axle



Part 4 - front axle Spare parts		
No.	ID Zboží	Název
1	0102008016	Bolt - M8x16
2	48R0210012/01	Wheel Cap
3	5340206011/40	8" AL Wheel
4	5310213010	Bearing
6	5310211010/02	Spring Washer
7	5310210010/02	Spacer
8	GM53F020100000/01	Front Axle
9	5310209010	Spherical Bearing
10	GM53A020000010	Scraper

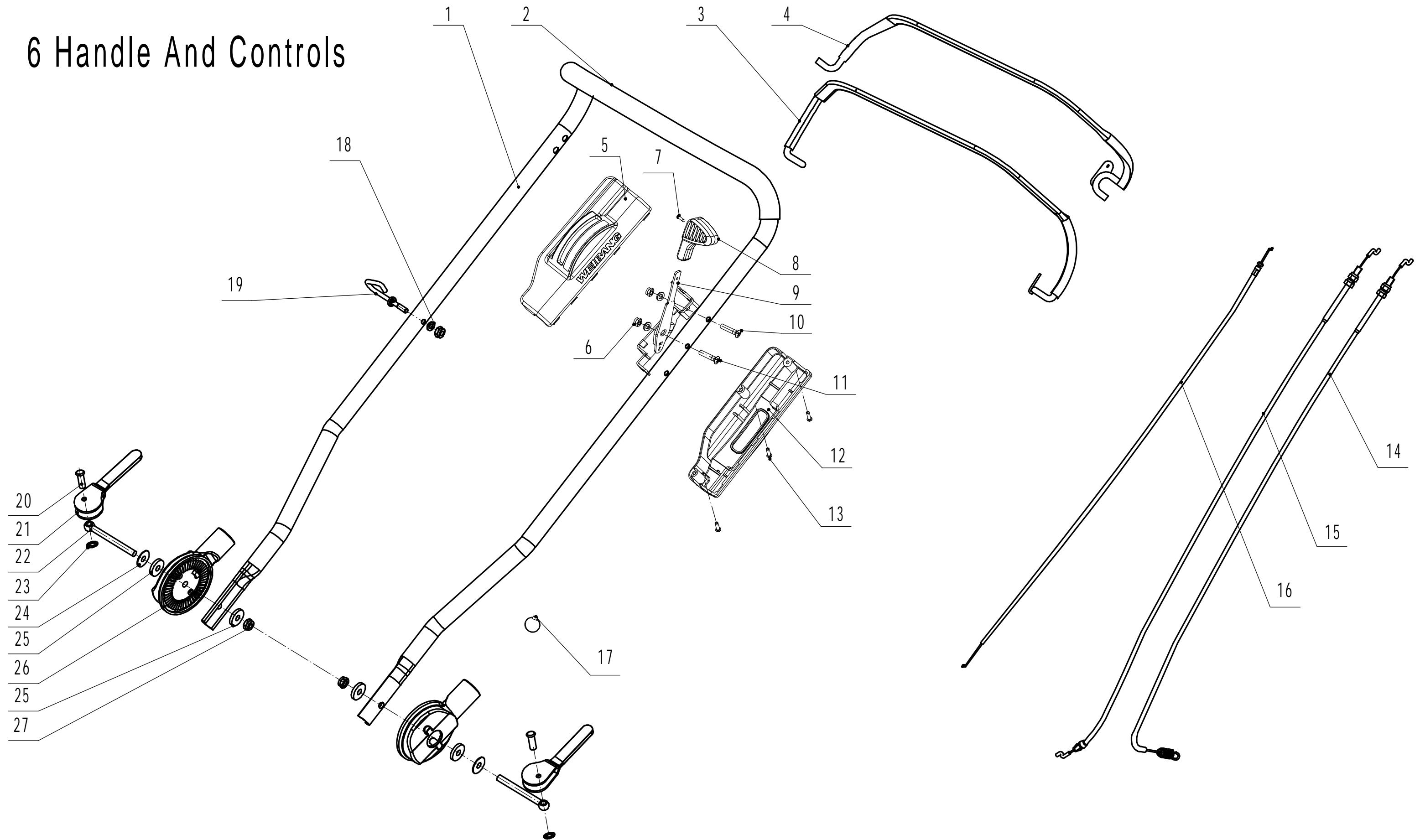
5 Rear Axle



Part 5 - rear axle Spare parts

No.	ID Zboží	Název
1	0102008016	Bolt - M8x16
2	48R0210012/01	Wheel Cap
3	5340309011/40	Al wheel- 9"
4	5310213010	Bearing
6	5310211010/02	Spacer
7	5310210010/02	Washer
8	GM53F030100000/01	Rear Axle
9	1301009000	E-Clip - M9
10	5020311010/04	Spacer
11	5320326010P	Bearing
12	HQ000100020	Drive Pinion - R/H
13	HQ000100050	Ratchet
14	5340312010	Dustproof Shield
15	Y065321	Right Bearing Sheath Assembly
16	5320325020/02	Right Bearing Sheath
17	5320327010	Dustproof Ring
18	1001020000	Check Ring - M20
19	5320328010	Spherical Bearing
20	Y20536M	Transmission Assembly
21	R8-2RS	Bearing
22	4540318010	Gearbox Pulley
23	HQ000100060	Pin For Ratchet
24	4820317010	Gearbox Sping
25	0101006020	Hex Head Bolt - M6x20
26	5020310010/02	Rear Transmission Partition
27	5360310010/40	Adjustment Lever
28	0101006014	Bolt - M6x14
29	5360311010/22	Spring Of Adjustment Lever
30	0113005008	Screw - M5x8
31	02020060000	Lock Nut - M6
32	Y065320	Left Bearing Sheath Assembly
33	5320324020/02	Right Bearing Sheath
34	HQ000100040	Spring - Drive Pinion
35	HQ000100030	Pin - Drive Pinion
36	HQ000100010	Drive Pinion - L/H
37	GM53A020000010	Scraper
38	GM48S010000010	Spacer
39	1001012000	Circlip - M12
40	1401025015	O-ring

6 Handle And Controls



Part 6 - handle bar assembly Spare parts		
No.	ID Zboží	Název
1	GM53F090000010/49	Handle
2	GM56E010000082	Handle Sheath
3	5320511030S/40	Clutch Lever
4	5320503020S/40	OPC Lever
5	GM46E050000030	Throttle Control Box Upper Cover
6	0202006000	Lock Nut - M6
7	0106003013	Screw - ST2.9x13
8	5380510010	Throttle Control Grip
9	GM46E050100000	Throttle Control Bracket
10	0108006040	Screw - M6x40
11	0108006050	Screw - M6x50
12	GM46E050000040	Throttle Control Box Lower Cover
13	0113040018	Screw - ST4x18
14	LH189-1360	Clutch Cable
15	BS120-1140	Brake Cable
16	YM72-1115-A	Throttle Cable
17	ZD8/200	Cable tie
18	0301006000	Washer - M6
19	4510511010/01	Hook - Starter Rope
20	0801008025	Axis Pin - 8x25
21	GM56A100400000	Lock Lever
22	GM48S000000100	Connecting Bolt
23	4510114030	Fix Cap
24	GM56A100000040/04	Spacer
25	GM56A100000050/01	Spacer
26	GM48S030200000	Tooth Disc Kit
27	0203008000	Lock Nut-M8