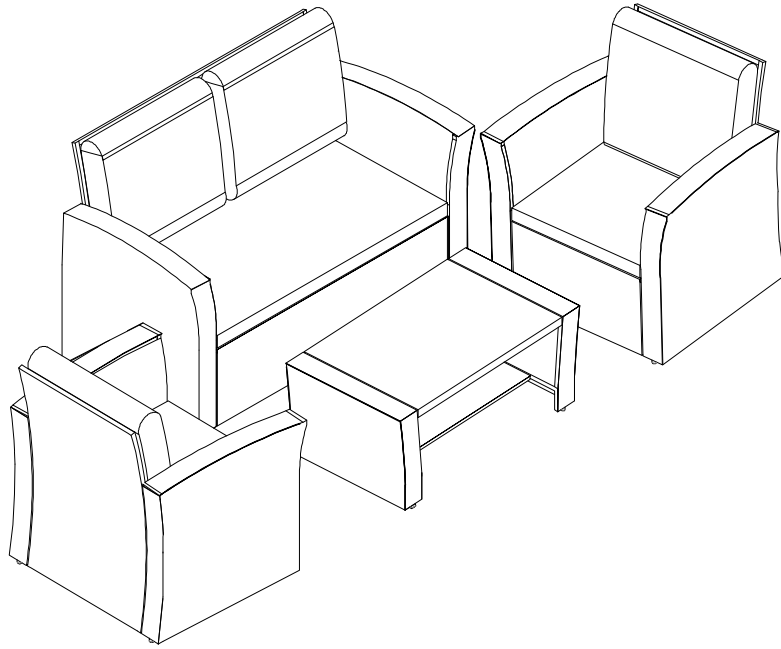


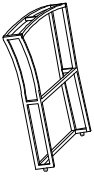
PACK NO. :

ITEM NO. :



A

A



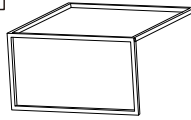
3 PCS

B



3 PCS

C



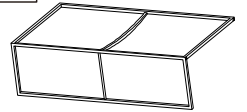
2 PCS

D



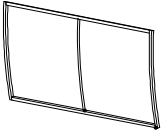
2 PCS

E



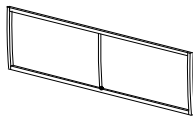
1 PCS

F



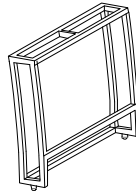
1 PCS

G



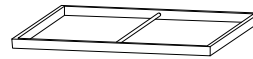
1 PCS

H



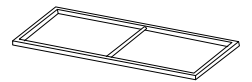
2 PCS

I



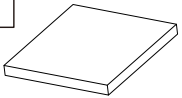
1 PCS

J



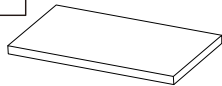
1 PCS

K



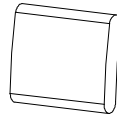
2 PCS

L



1 PCS

M



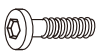
4 PCS

N



1 PCS

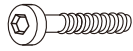
#1



M6x35MM

38 PCS

#2



M6x95MM

6 PCS

#3



M6

44 PCS

#4

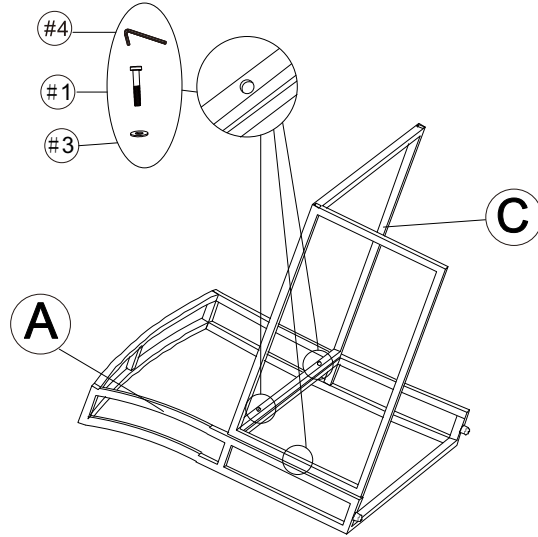


M6

Side chair

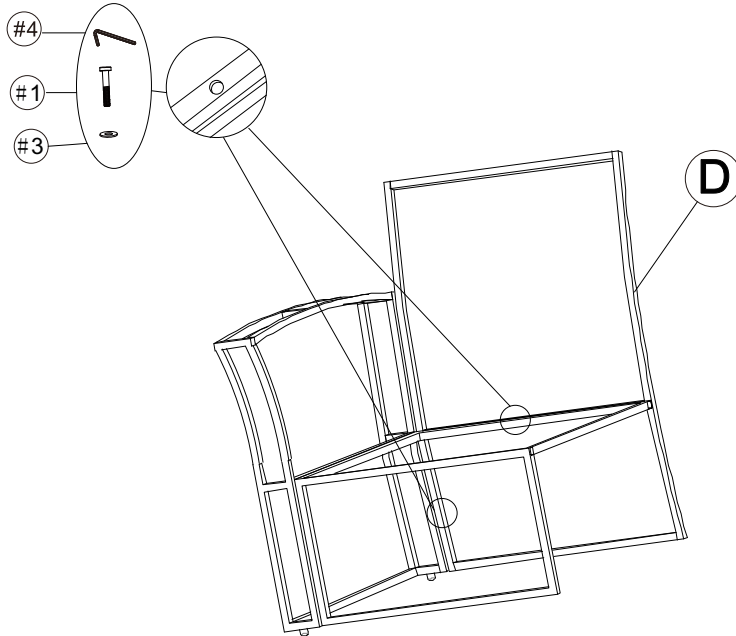
STEP 1

- A*1
- C*1
- #1*3
- #3*3
- #4*1



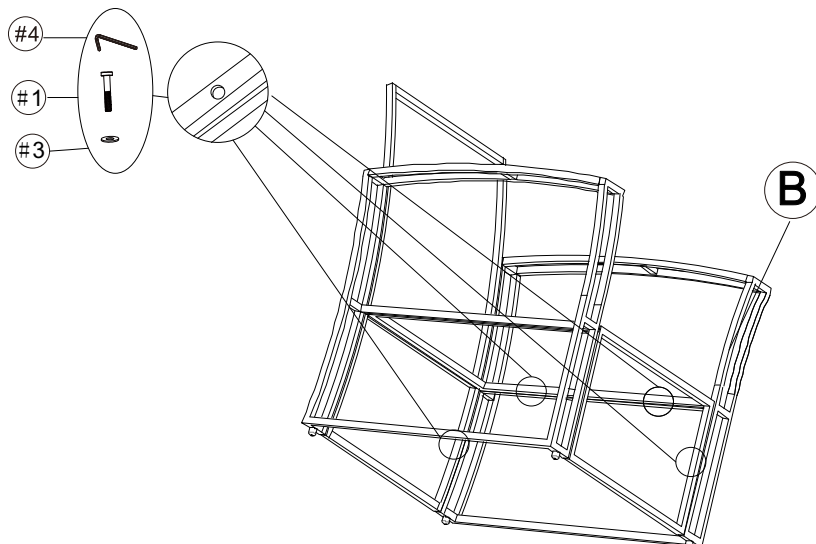
STEP 2

- D*1
- #1*2
- #3*2
- #4*1



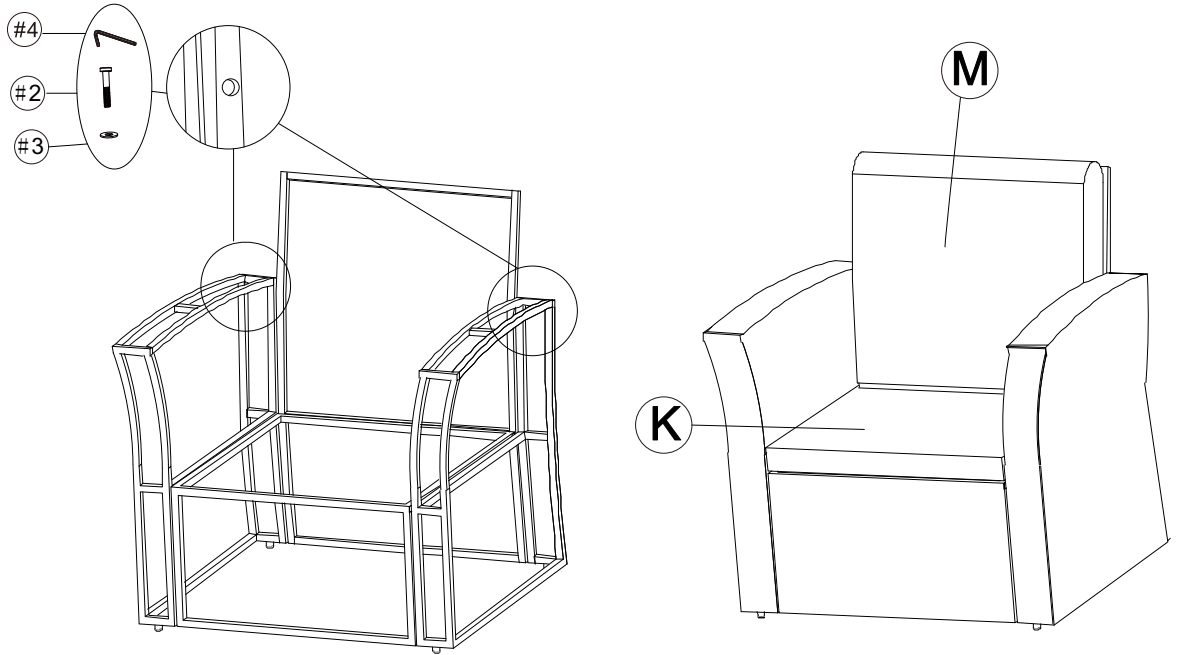
STEP 3

- B*1
- #1*4
- #3*4
- #4*1



STEP 4

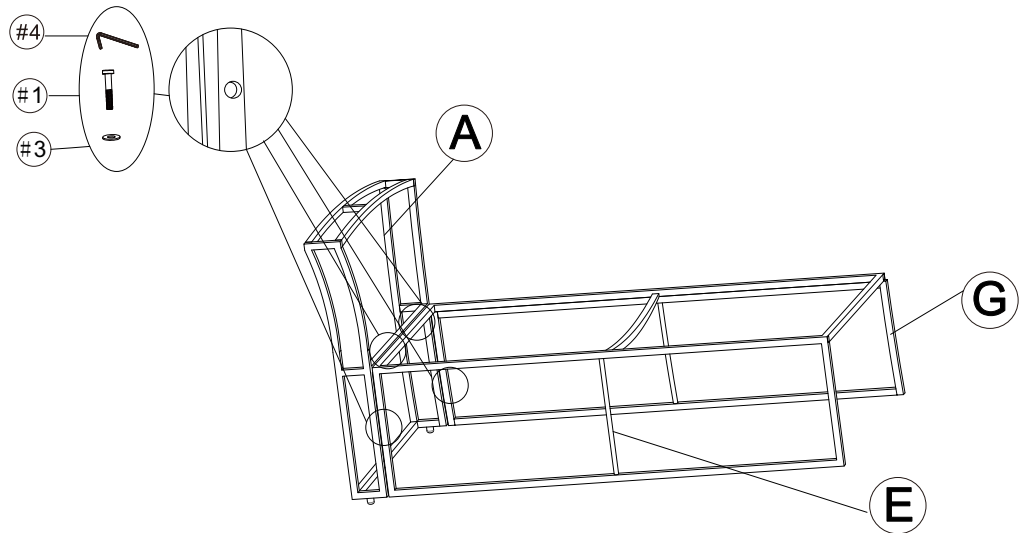
- #2*2
- #3*2
- #4*1
- K*1
- M*1



Double chair

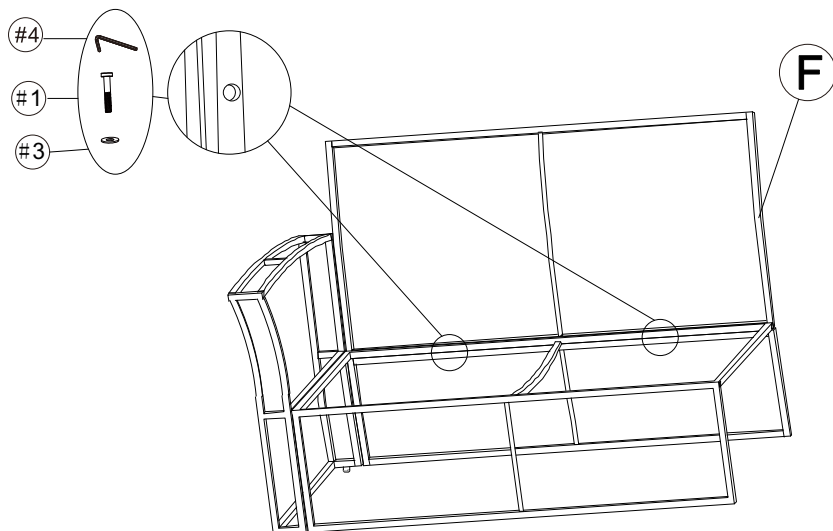
STEP 1

- A*1
- E*1
- G*1
- #1*4
- #3*4
- #4*1



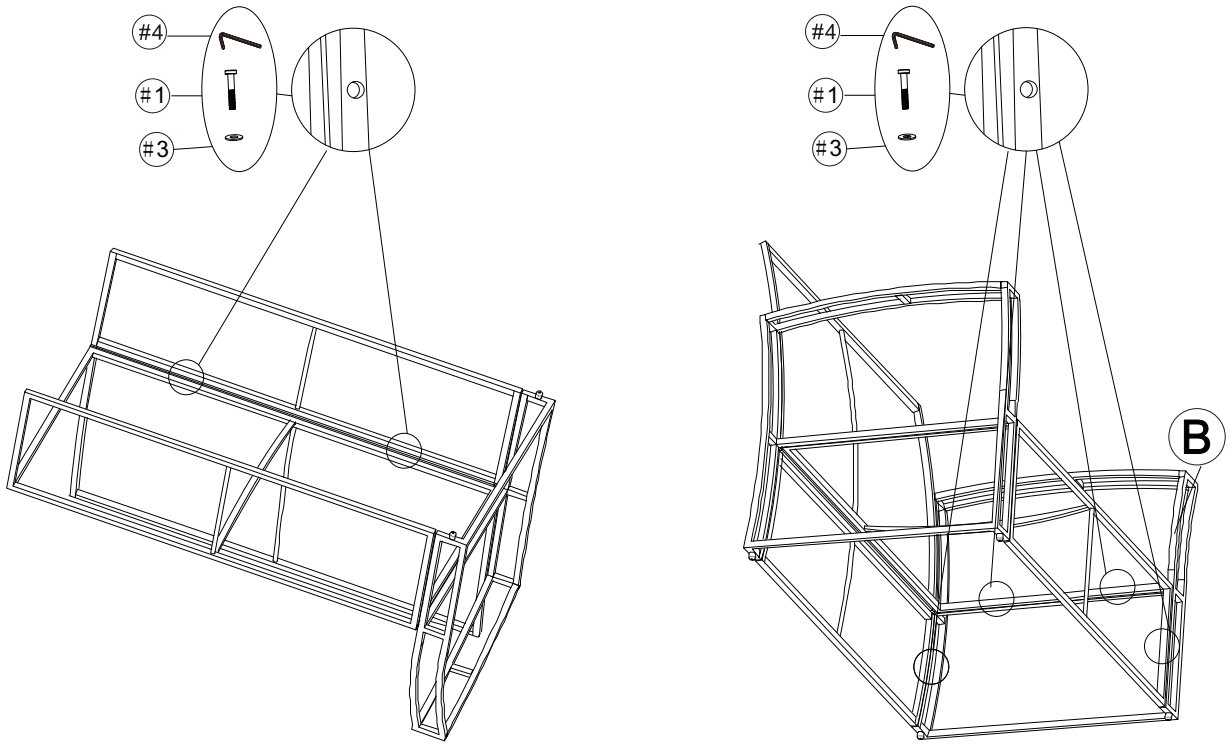
STEP 2

- F*1
- #1*2
- #3*2
- #4*1



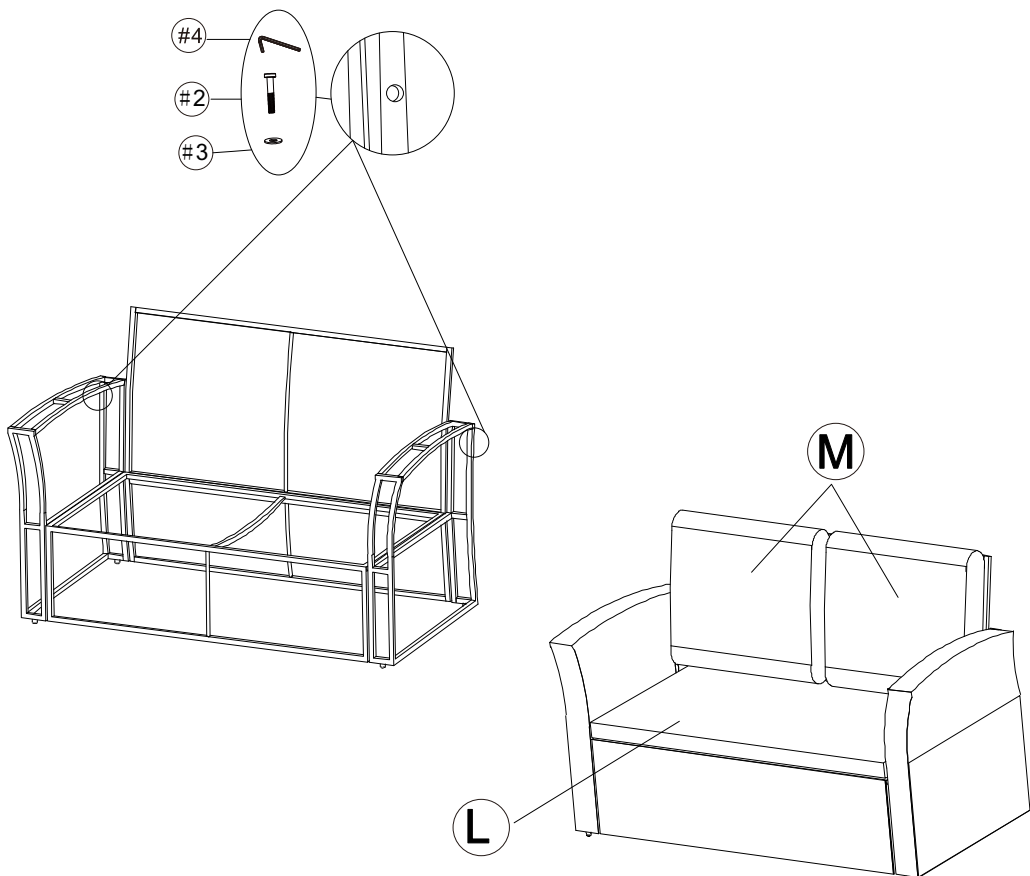
STEP 3

- B*1
- #1*6
- #3*6
- #4*1



STEP 4

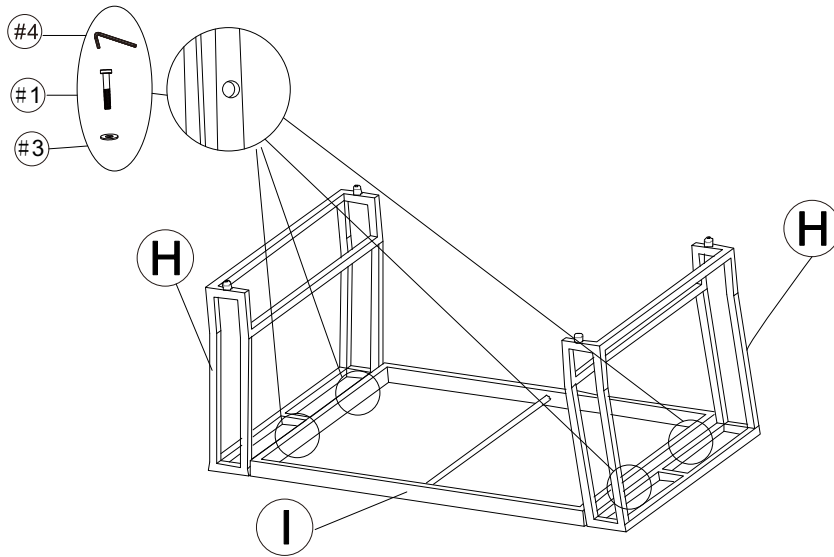
- #2*2
- #3*2
- #4*1
- K*1
- L*2



STEP 1

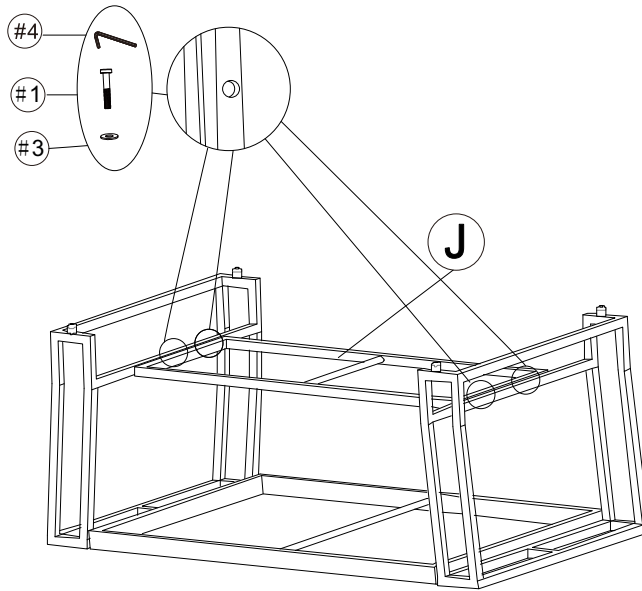
Coffee table

- H*2
- I*1
- #1*4
- #3*4
- #4*1



STEP 2

- J*1
- #1*4
- #3*4
- #4*1



STEP 3

- N*1

