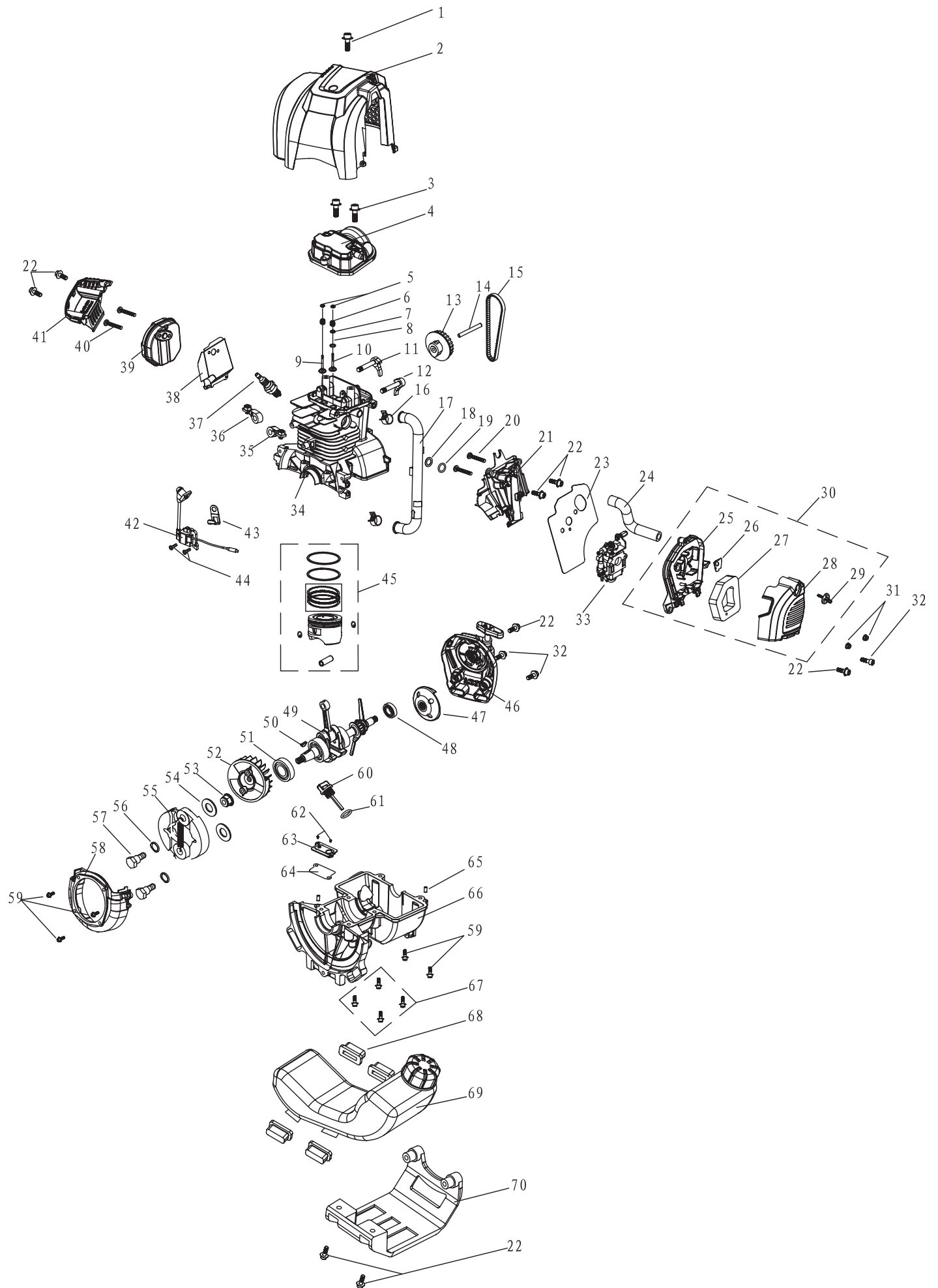


RPB 360 4T - transmission

Pozice	Obj.číslo	Popis	Počet
1	CZG-1A-01000	drive shaft base assy	1
2	CZG-1A-01001	clutch drum	1
3	CZG-1A-01002	internal spring circlip ϕ 35	1
4	CZG-1A-01003	bearing 6202-2Z	1
5	CZG-1A-01004	external spring circlip ϕ 15	1
6	CZG-1A-01005	drive shaft base	1
7	CZG-1A-01006	anti-vibration rubber	1
8	CZG-1A-01007	drive shaft aluminum connector	1
9	CZG-1A-01008	internal spring circlip ϕ 45	1
10	CZG-1A-01009	screw M6x30	5
11	CZG-1A-01010	screw M5x14	1
12	CZG-1A-11000	accelerate wire fixing clip	1
13	CZG-1A-03000	hanger + screw+nut	1
14	CZG-1A-03001	screw M5x25	1
15	CZG-1A-03002	nut M5	1
16	CZG-1A-03003	hanger	1
17	CZG-1A-05000	handle fixer assy	1
18	CZG-1A-05001	screw M6x25	6
19	CZG-1A-05002	down handle fix	1
20	CZG-1A-05003	handle fix anti-vibration	2
21	CZG-1A-05004	handle fix middle	1
22	CZG-1A-05005	upper handle fix	1
23	CZG-1A-00004	accelerate wire clip	1
24	CZG-1A-04001	switch	1
25	CZG-1A-04002	left handle grip+pipe	1
26	CZG-3A-00000	pipe assy 748mm	1
27	CZG-3A-00001	aluminum pipe	1
27-1	CZG-3A-00001-1	aluminum pipe	1
28	CZG-3A-00002	drive shaft	1
29	CZG-1A-02000	oil bearing	6
30	CZG-3A-01000	connector with screw+nut	1
31	CZG-3A-01001	screw M6x18	1
32	CZG-3A-01002	connector without screw+nut	1
33	CZG-3A-01003	nut M6	1
34	CZG-3A-00000	pipe assy 748mm	1
35	CZG-3A-00003	drive shaft	1
36	CZG-3A-00004	drive shaft spacking cover	1

37	CZG-1A-05002	screw M6x25	2
38	CZG-1A-06001	metal connector	1
39	CZG-1A-06100	guarder assy	1
40	CZG-1A-07100	gearbox assy	1
41	CZG-1A-09000	nylon head	1



RPB 360 4T - engine			
Pozice	Obj.číslo	Popis	Počet
1	GB/T 70.1-2000	Screw M5*18	1
2	G139-3D-04000	Cylinder cover assy	1
3	DIN251	Screw M5*12	1
4	G139F-3A-00001	Cylinder head cover	1
5	G139F-3A-00022	Air valve clip	2
6	G139F-3A-00015	Air valve spring	2
7	G139F-3A-26000	Air valve oil seal	1
8	G139F-1A-00012	Air valve oil seal washer	1
9	G139F-3A-00020	Inlet valve	1
10	G139F-3A-00019	Exhaust valve	1
11	G139F-3A-17000	Cam behind arm assy	1
12	G139F-3A-16000	Cam front arm assy	1
13	G139F-3A-03000	Cam assy	1
14	G139F-3A-00021	Cam pin	1
15	G139F-3A-15000	Belt	1
16	G139F-3A-00016	Oil return pipe circlip	2
17	G139F-3A-00011	U type oil return pipe	1
18	G139F-3A-00014	Air inlet tube gasket	1
19	G139F-3A-00009	Air inlet tube O ring	1
20	GB /T 5782-2000	Screw M5*55	2
21	G139F-3A-00004	Air inlet pipe	1
22	GB/T 70.1-2000	Screw M5*16	8
23	G139F-3A-00017	Carburetor gasket	1
24	G139F-3A-00010	S type oil return pipe	1
25	G139F-3A-07100	Air filter base	1
26	G139F-3A-07101	Air filter plate	1
27	G139F-3A-07002	Filter foam	1
28	G139F-3A-07001	Air filter cover	1
29	G139F-1E-07200	Air filter button	1
30	G139F-3A-07000	Air filter assy	1
31	GB/T 6177.1-2000	Nut M5	2
32	GB/T 70.1-2000	Screw M5 *25	3
33	G139F-3A-24000	Carburetor	1
34	G139F-3A-01000	Cylinder+crankcase assy	1
35	G139F-3A-18000	Exhaust valve arm assy	1
36	G139F-3A-19000	Inlet valve arm assy	1

37	G139F-3A-25000	Spark plug	1
38	G139F-3A-00005	Muffler division plate	1
39	G139F-3A-13000	Muffler assy	1
40	GB/T 70.1-2000	Screw M5*50	2
41	G139-3D-00003	Protector guard	1
42	G139F-3A-23000	Ignition coil assy	1
43	G139F-3A-00003	Wire clip	1
44	GB/T 70.1-2000	Screw M4*16	2
45	G139F-1A-21001	Piston assy	1
46	G139-3D-11000	Recoil starter assy	1
47	G139F-3A-27000	Starter drive plate	1
48	GB/T 9877-2008	Small oil ring	1
49	G139F-3A-21000	Crankshaft assy	1
50	GB/T 1099-1990	Semi-circle key	1
51	GB/T 9877-2008	Big oil ring	1
52	G139F-3A-22000	Flywheel	1
53	GB/T 6177.1-2000	Nut M8	1
54	GB 97.1-85	Flat gasket	2
55	G139F-1A-23000	Clutch assy	1
56	G139F-1A-00080	Corrugated gasket	2
57	G139F-1A-00082	Bolt	2
58	G139F-3A-00002	Side cover	1
59	GB/T 70.1-2000	Screw M5*20	5
60	G139F-1A-05001	Oil ruler	1
61	G139F-1A-05002	Oil ruler O ring	1
62	GB/T 818-2000	Screw M4*8	2
63	G139F-3A-00018	Valve gasket	1
64	G139F-3A-12000	Valve assy	1
65	GB/T 119-1996	Dowel pin	2
66	G139F-3A-02000	Crankcase	1
67	GB/T 70.1-2000	Screw M5*35	4
68	G139F-3A-00007	Fuel tank anti-vibration cushion	4
69	G139F-3A-10000	Fuel tank assy	1
70	G139F-3A-09000	Fuel tank plastic support	1