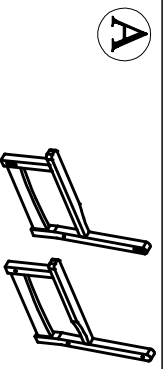
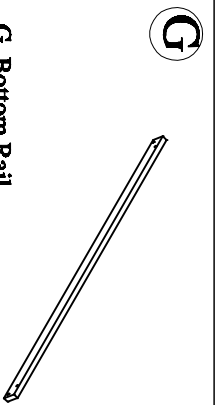


ASSEMBLY INSTRUCTION



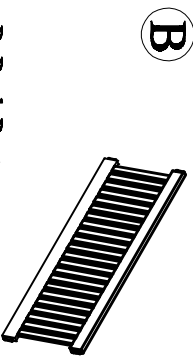
A
Side Assy (Chair)

2 x



G
Bottom Rail

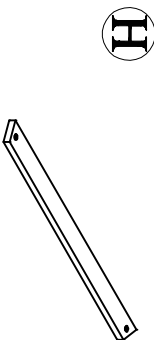
1 x



B

B. Back Rest

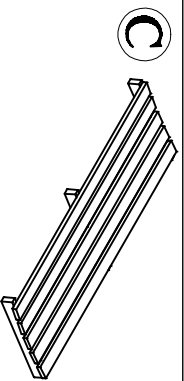
1 x



H

H. Side Rail

2 x



C

C. Seal

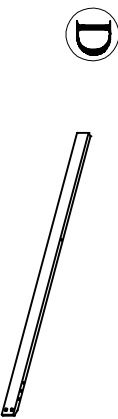
1 x



I

I. Support Bar

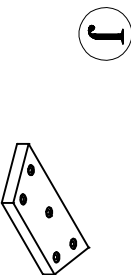
2 x



D

D. Front leg (R & L)

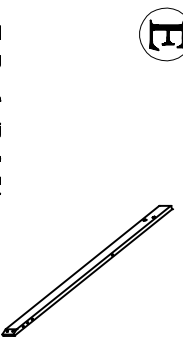
2 x



J

J. Top Bar

2 x



E

E. Back (R & L)

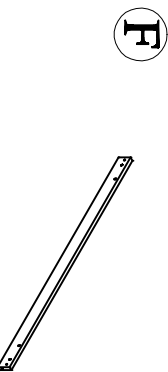
2 x



K

K. Canopy Supporter (Long)

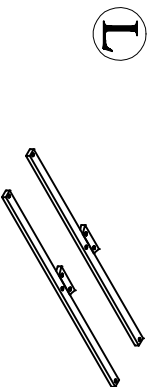
2 x



F

F. Top Rail

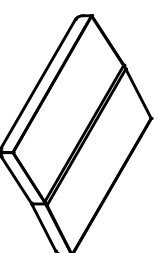
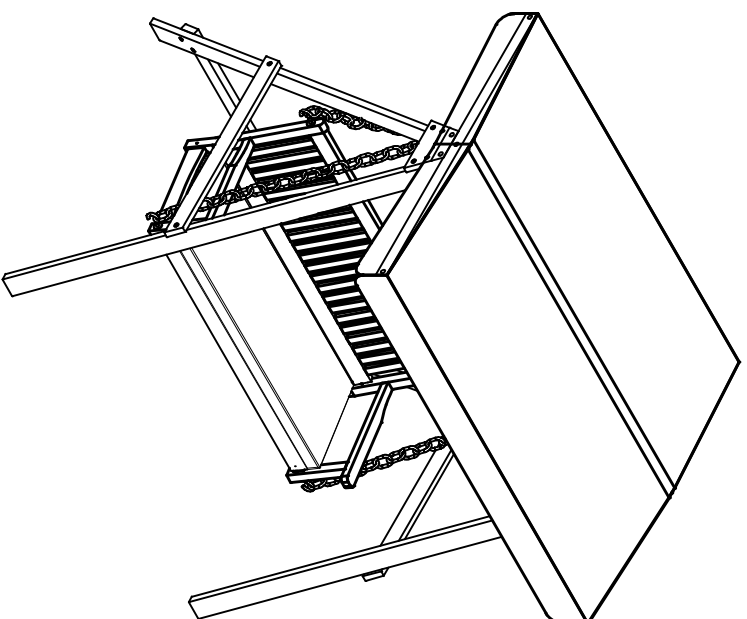
1 x



L

L. Canopy Supporter (Short)

2 x



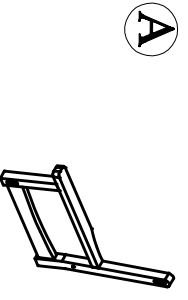
M

M. Canopy

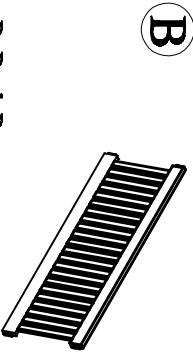
1 x

* it will require two people to assemble this product

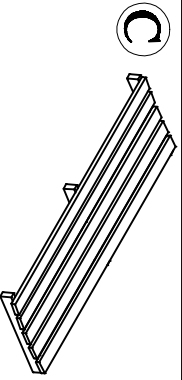
PART 1 : BENCH ASSEMBLY



A. Side Assy (Chair) 2 x



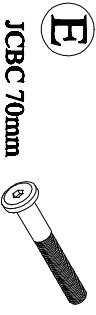
B. Back Rest 1 x



C. Seal 1 x



D. Bolt Hook 4 x



E. JCBC 70mm 2 x



F. JCBC 90mm 2 x



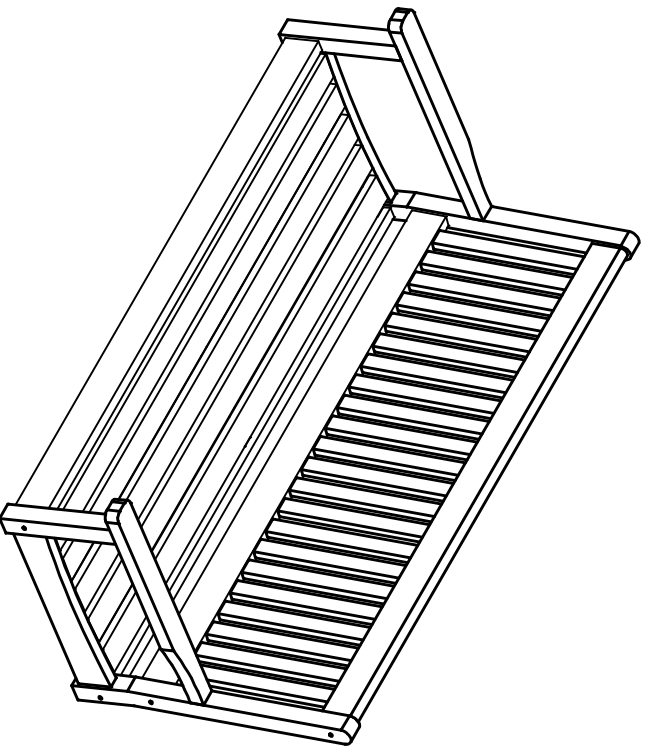
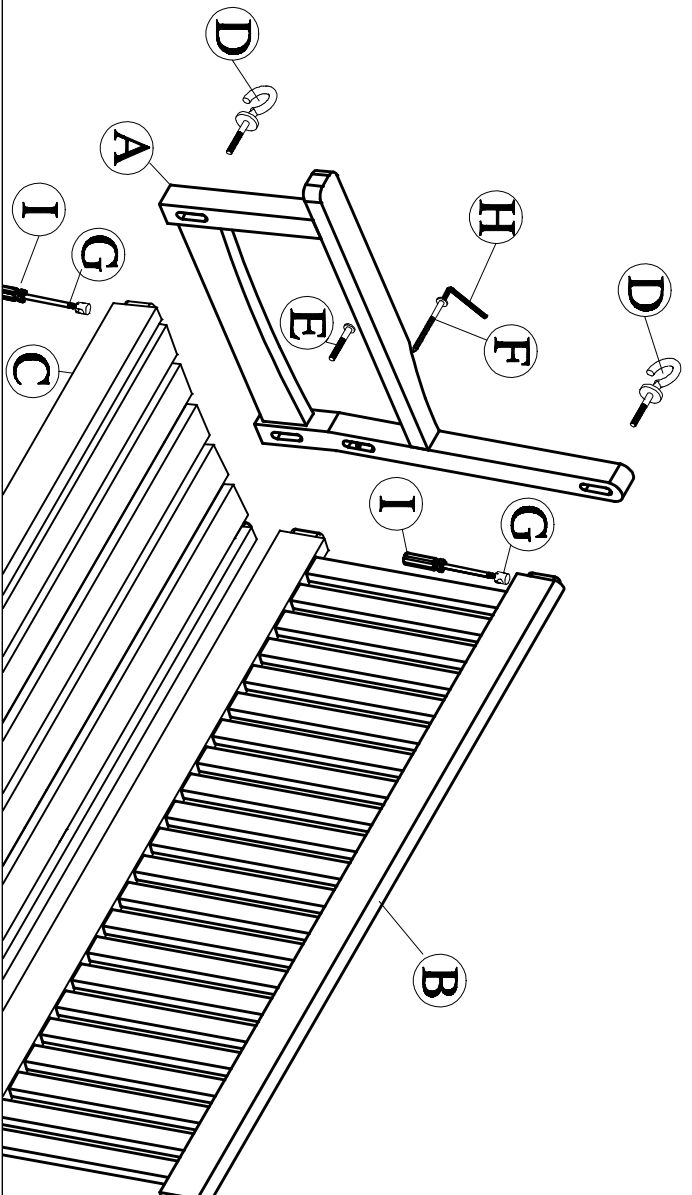
G. Barrel Nut 6 x



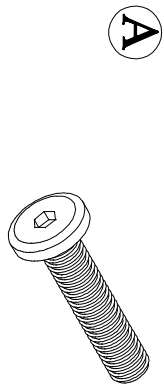
H. M4 1 x



I. 1 x

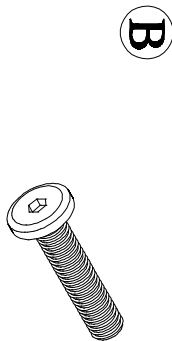


PART 2 : LEG ASSEMBLY



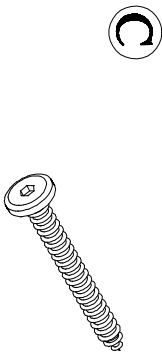
JCBC M8x45mm

4 x



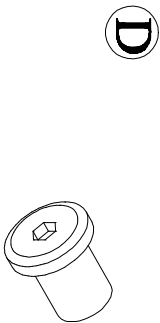
JCBC M8x35mm

4 x



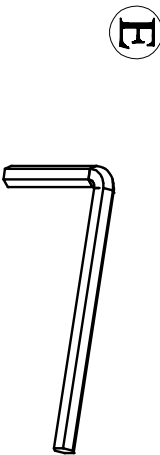
JCBC M7x50mm

10 x



SLEEVE NUT M8

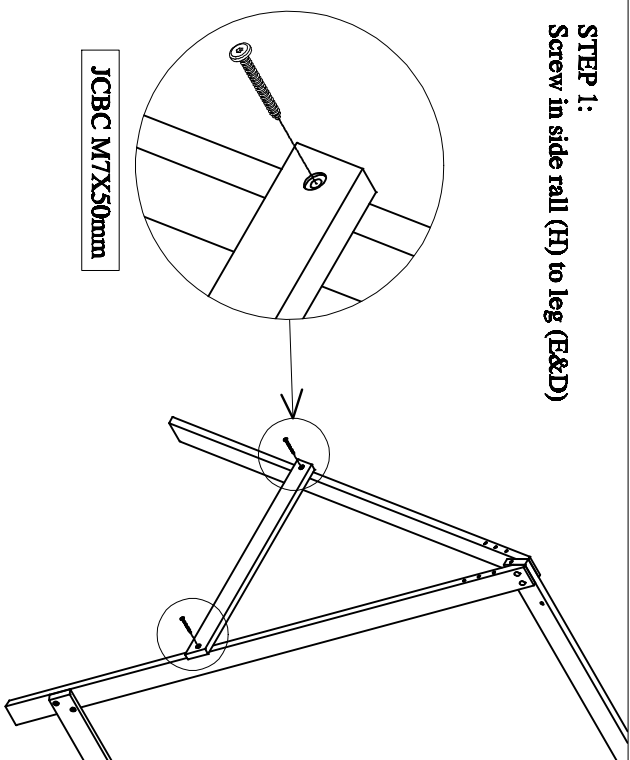
8 x



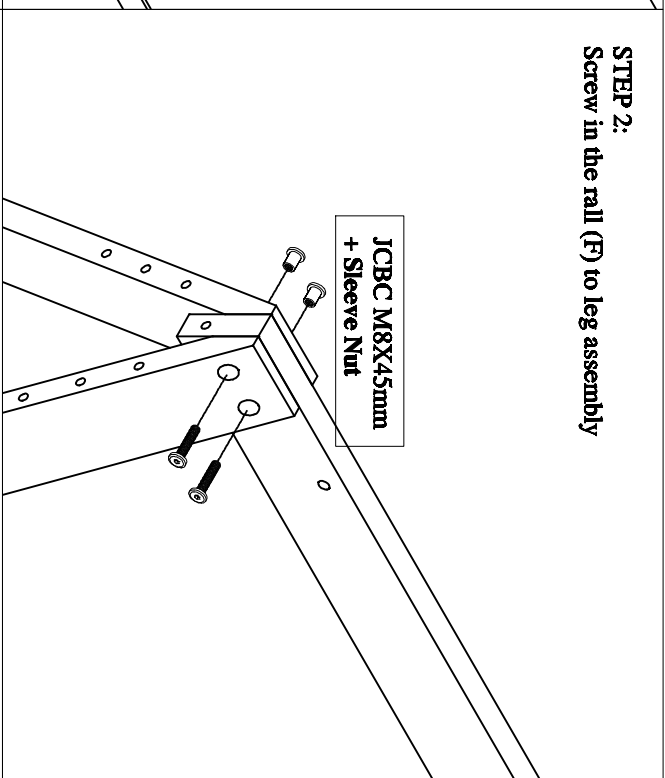
M4

2x

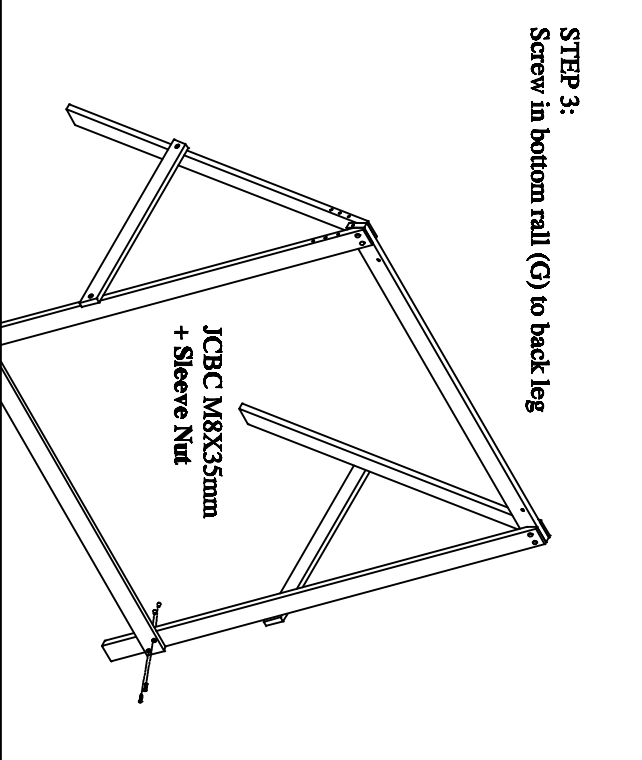
STEP 1:
Screw in side rail (H) to leg (E&D)



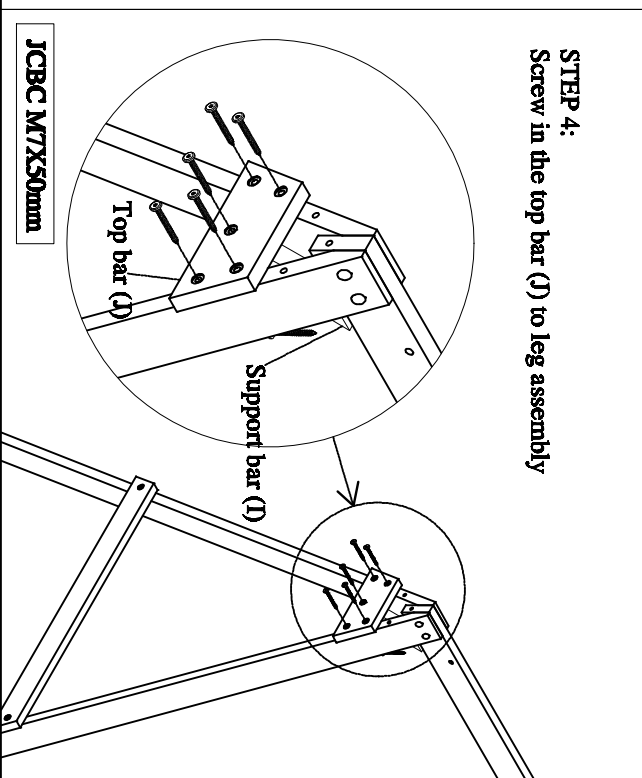
STEP 2:
Screw in the rail (F) to leg assembly



STEP 3:
Screw in bottom rail (G) to back leg



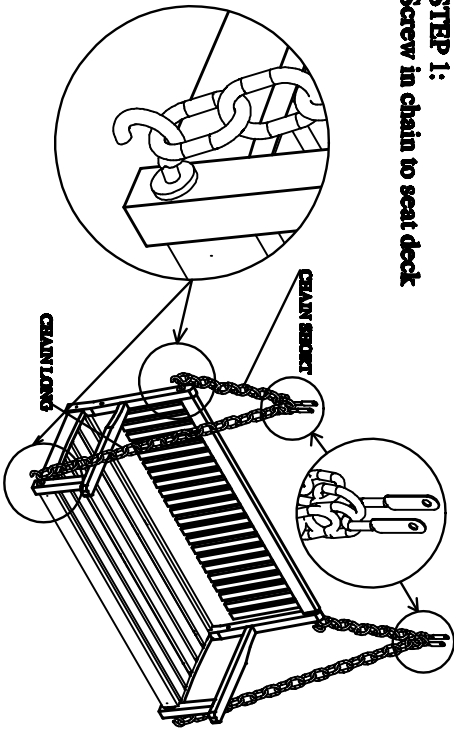
STEP 4:
Screw in the top bar (I) to leg assembly



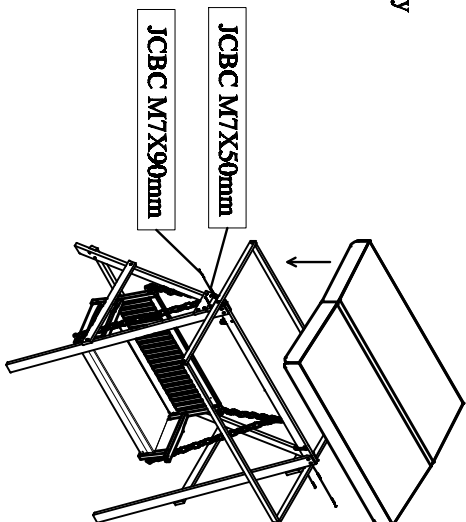
Do not tighten nuts with wrench until assembly is completed

PART 3

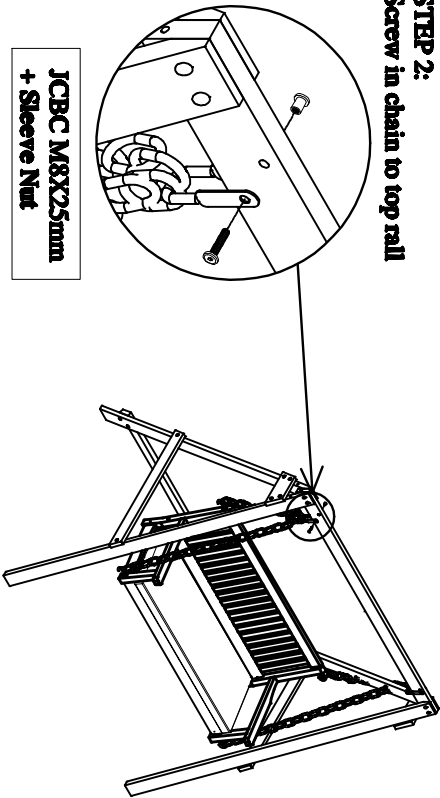
STEP 1:
Screw in chain to seat deck



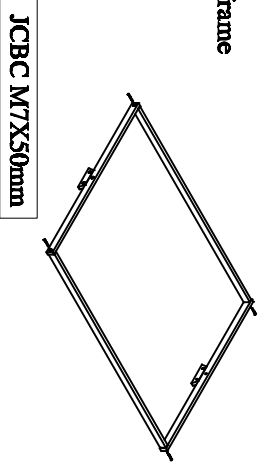
STEP 4:
Put in canopy



STEP 2:
Screw in chain to top rail



STEP 2:
Screw in canopy frame



HARDWARE

1	JCBC M7x50mm		24
2	JCBC M7x90mm		4
3	JCBC M8x35mm		4
4	JCBC M8x25mm		2
5	SLEEVE NUT M8		10
6	JCBC M8x70mm		2
7	BARREL NUT		6
8	CHAIN SHORT		2
9	CHAIN LONG		2
10	JCBC M8x45mm		4

Do not tighten nuts with wrench until assembly is completed