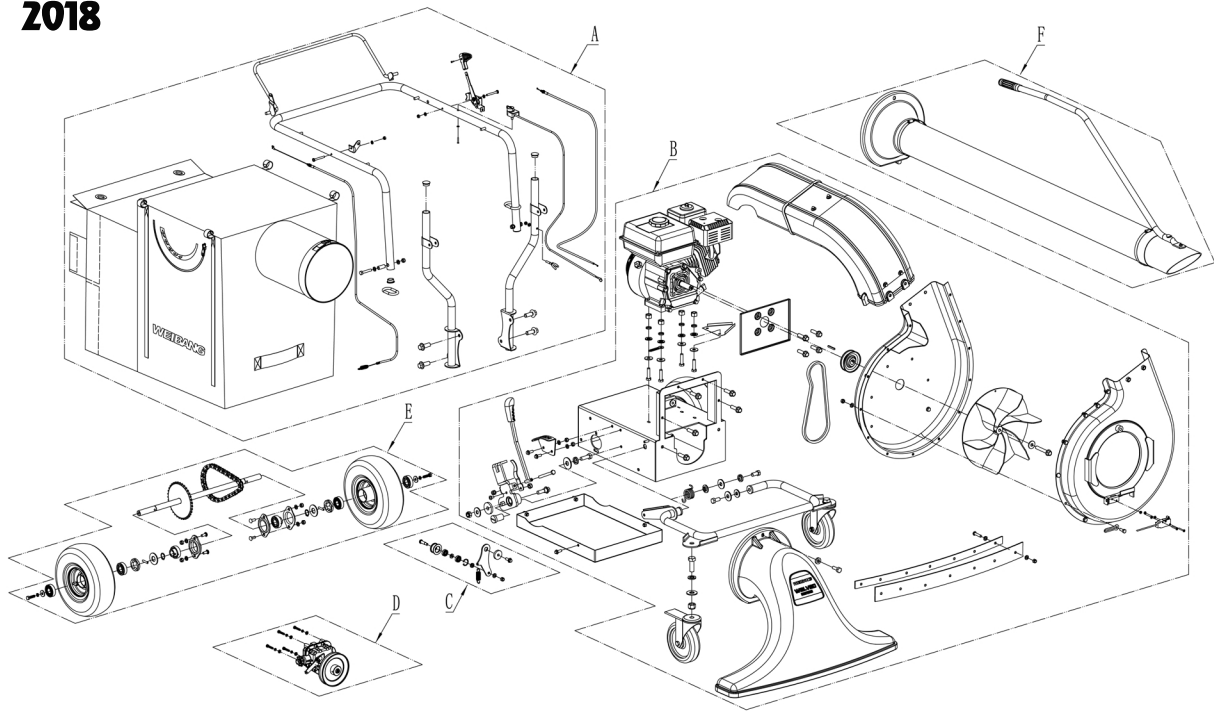
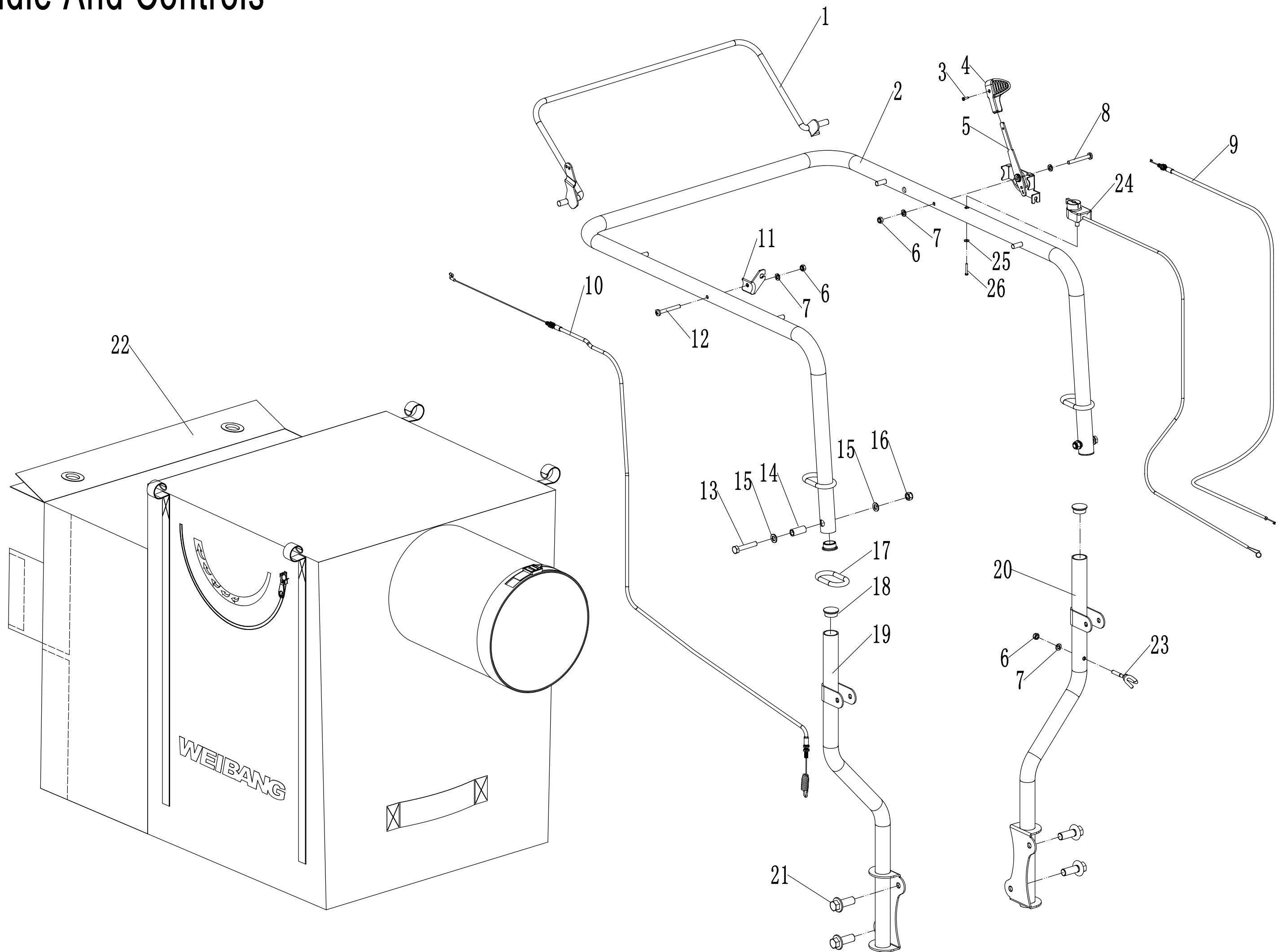


WB LV506C

2018

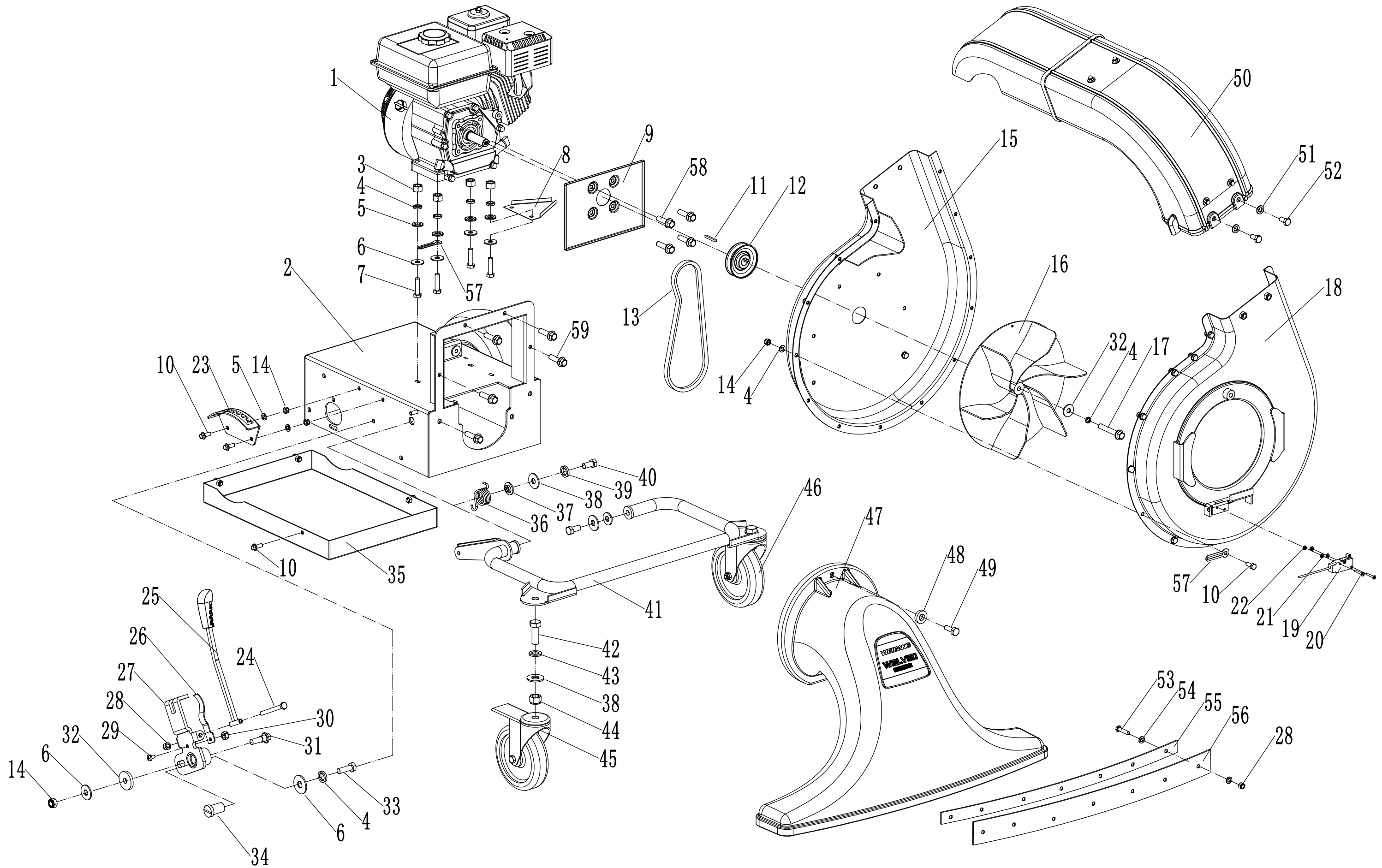


A Handle And Controls



Order	Part number	Name_English	Quantity
1	LVSA01000/22	Lever Weldment	1
2	LVSA02000/46	Upper Handle Welding	1
3	0106003013	Screw-ST2.9×13	1
4	5380510010	Grip - Throttle Lever	1
5	5360509010	Frame - Throttle Control	1
6	0202006000	Lock Nut-M6	4
7	0301006000	Washer-M6	5
8	0104006055	Screw-M6×55	1
9	LVSA05010	Throttle Cable	1
10	LVSD07020	Clutch Cable	1
11	LM5501060/01	Bracket	1
12	0104006040	Screw-M6×40	1
13	0101008045	Bolt-M8×45	2
14	LVSA08010/02	Spacer	2
15	0301008000	Washer-M8	4
16	0202008000	Lock Nut-M8	2
17	LVSA09010/22	Link Chain	2
18	LVSA12010	Handle Plug	4
19	LVSA10000/46	Right-lower Handle Welding	1
20	LVSA11000/46	Left-lower Handle Welding	1
21	0102010020	Bolt-M10×20	4
22	LVSA13000	Grass Bag	1
23	LVSA06000/01	Hook - Starter Rope	1
24	LVSA16010	Flameout Switch	1
25	302003000	Washer	1
26	0104003020	Screw-M3×20	1

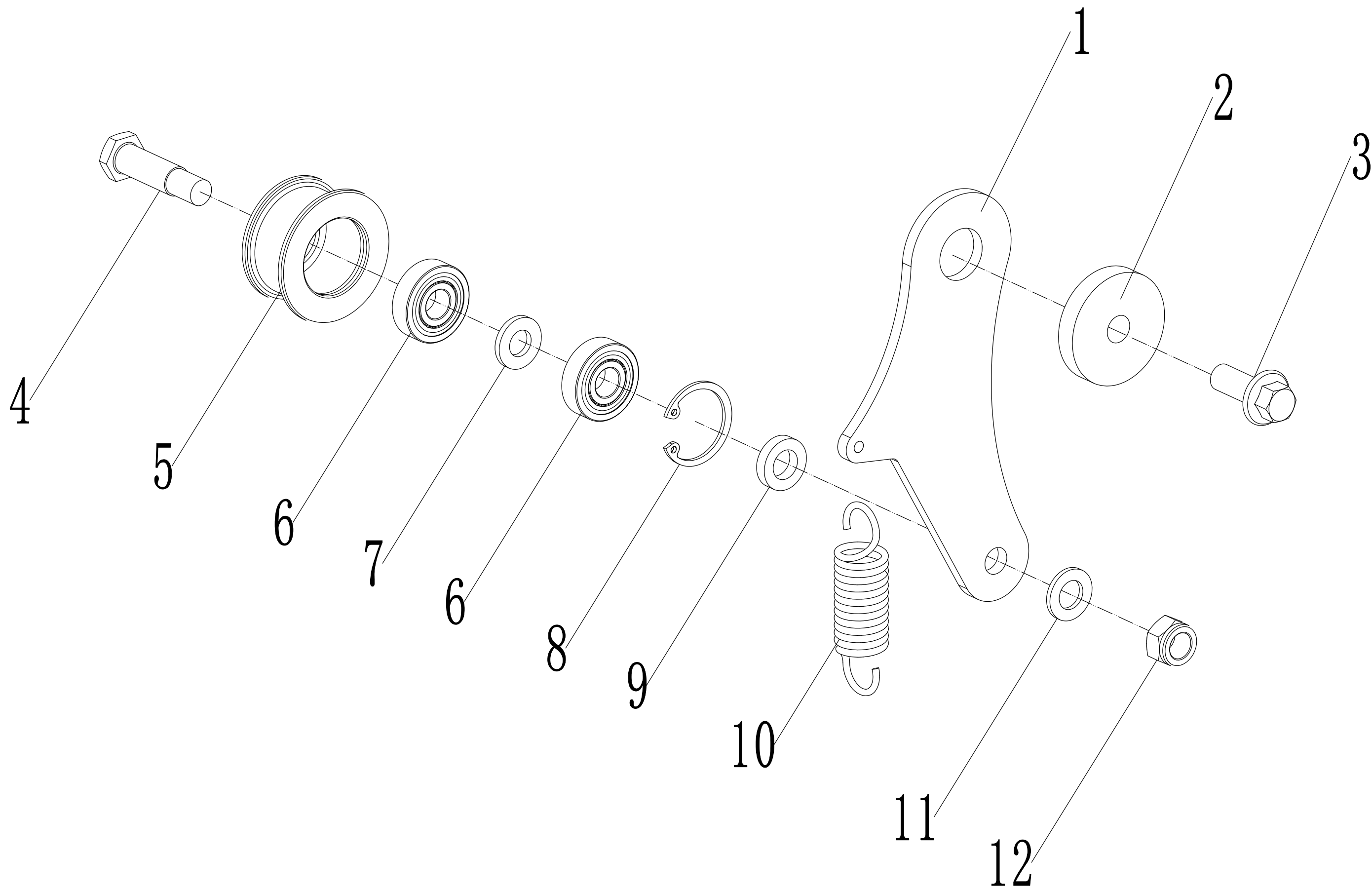
B Chassis Assembly



Order	Part number	Name_English	Quantity
1	G160F	Engine	1
2	LVDB01000/46	Chassis Weldment	1
3	0201008000	Nut-M8	4
4	0401008000	Spring Washer-M8	6
5	0301008000	Washer-M8	23
6	0302008000	Washer-M8	6
7	0101008040	Bolt-M8×40	4
8	LVSB02010/02	Guid Plate	1
9	LVSB03010/46	Engine Connection Plate	1
10	0102008016	Bolt-M8×16	17
11	LVSA14010	Key-4.7X4.7X47	1
12	LVSB04010/02	Engine Pulley	1
13	V13/750	V Belt-V13X750	1
14	0202008000	Lock Nut-M8	19
15	LVSB05000/46	Turbin Shell (Back Half)	1
16	LVSB06000/22	Turbin	1
17	5340113021	Blade Bolt	1
18	LVSB07000/46	Turbin Shell (Front Half)	1
19	8SH0601020	Switch	1
20	0104003016	Screw-M3x16	2
21	0301003000	Washer-M3	2
22	0202003000	Lock Nut-M3	2
23	LVSB08021/01	Graduator	1
24	0101006055	Bolt-M6×55	1
25	LVSB08000	Handle - Height Adjuster	1
26	5380314010/02	Spring	1
27	LVSB09000/22	Plate - Height Adjuster	1
28	0202006000	Lock Nut-M6	2
29	0108005012	Screw-M5x12	1
30	0202005000	Lock Nut-M5	1
31	LVSB10010/02	Bolt	1
32	0301008000	Washer-M8	2
33	0101008045	Bolt-M8×25	1
34	LVSB11010/02	Spacer	1
35	LVSB12000/46	Cover	1
36	LVSB13010	Spring	1
37	LVSB14010/02	Spacer 1	2
38	0302012000	Washer-M12	4
39	0401012000	Spring Washer-M12	2
40	0101012025	Bolt-M12×25	2
41	LVSB15000/46	Wheel Bracket	1
42	0101012040	Bolt-M12×40	2
43	0301012000	Washer-M12	2
44	0202012000	Lock Nut-M12	2
45	LVSB17010	Universal Wheel Brakes	1

46	LVSB16010	Universal Wheels	1
47	LVSB18010	Nozzle	1
48	LVSB2210/02	Spacer	1
49	0101010025	Bolt-M10×25	1
50	LVSB23010	Discharge Chute	1
51	0301010000	Washer-M10	4
52	0101010016	Bolt-M10×16	4
53	0101006020	Bolt-M6×20	7
54	0301006000	Washer-M6	7
55	LVSB19010/22	Clamp	1
56	LVSB20010	Spacer	1
57	40E0109000	Pressing Line Plate	3
58		Screw-5/16-24-16	4
59	0102008016	Bolt-M8×20	8

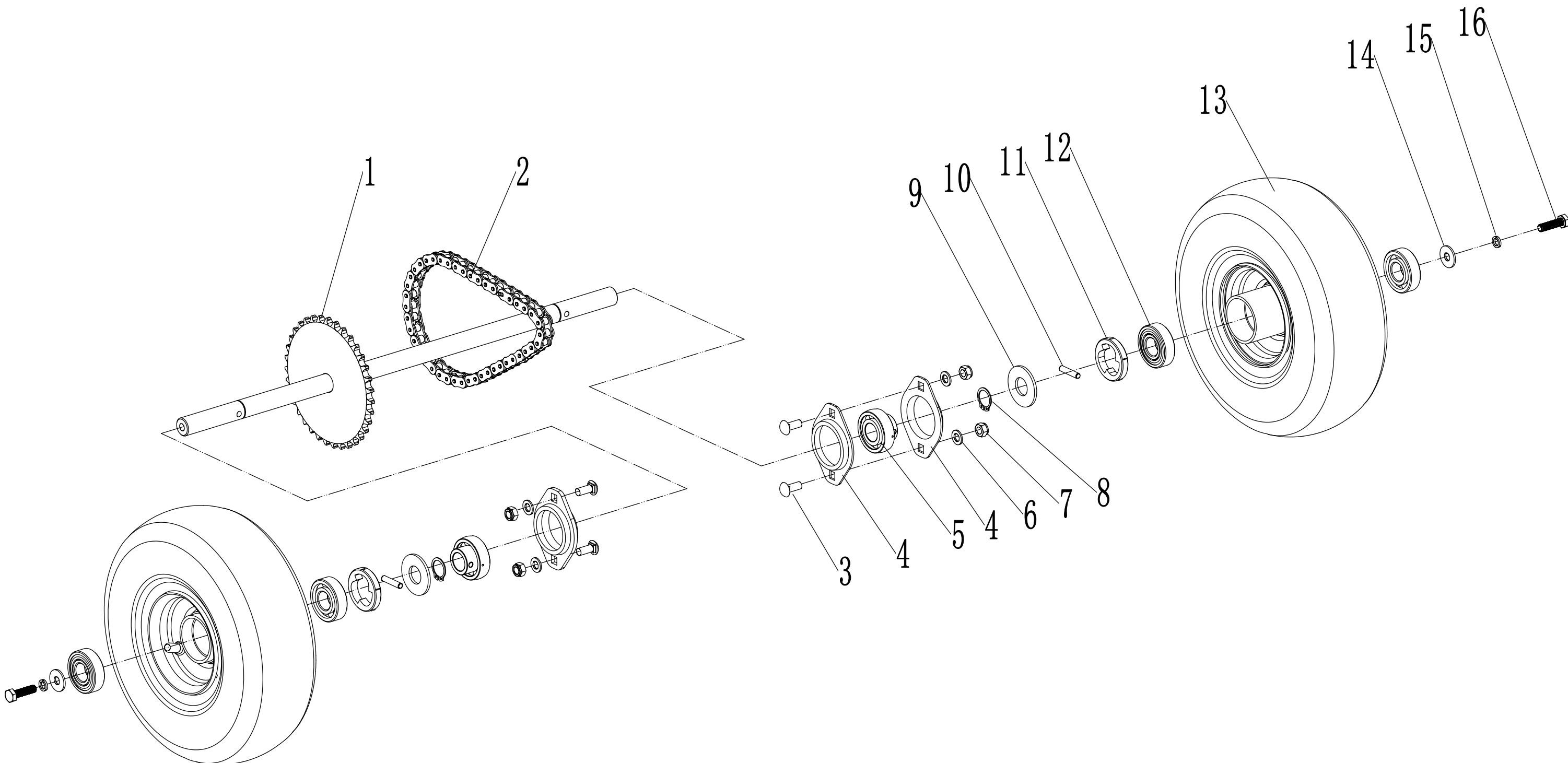
C Tensional Pulley



Order	Part number	Name_English	Quantity
1	LVSC02010/02	Tensional Plate	1
2	LVSC01010/02	Tensional Plate Spacer	1
3	0102008025	Bolt-M8X25	1
4	5340131010	Tensional Pulley Bolt	1
5	5340128010	Tensional Pulley	1
6	609/2RS	Bearing	2
7	5340130010/02	Spacer 2	1
8	0901024000	Internal Circlip - 24mm	1
9	5340129010	Spacer 1	1
10	LVSC03010	Spring	1
11	0301008000	Washer - M8	1
12	0202008000	Lock Nut-M8	1

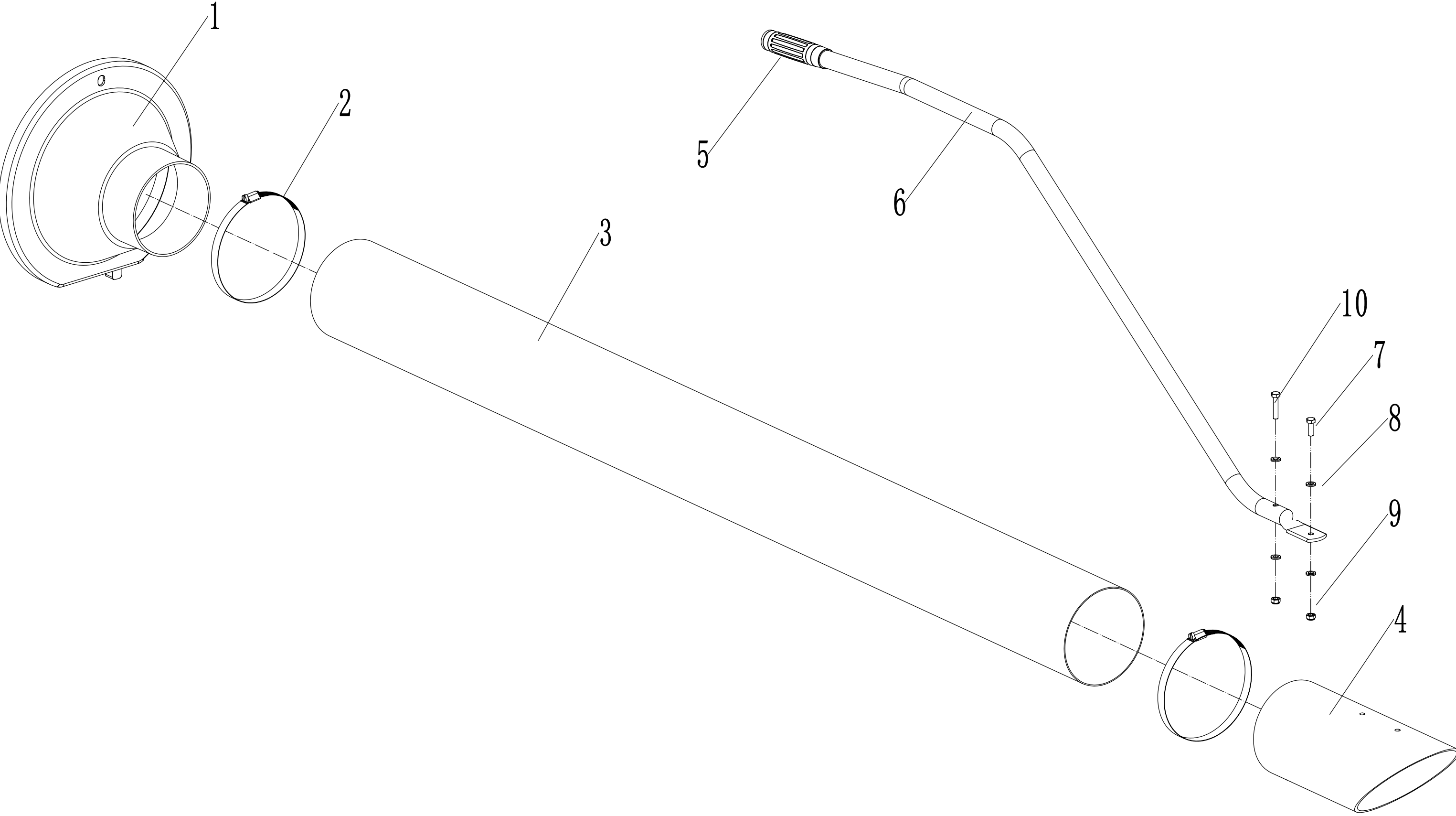
Order	Part number	Name_English	Quantity
1	HQ10118010	Pin	2
2	SW8002A08/04	Transmission Axle	1
3	HQ10111010	Bearing	1
4	HQ10110010	Oil Seal Ring	2
5	R8	Bearing	2
6	HQ10121010/02	Spacer	1
7	HQ10120010	Spacer	1
8	HQ10115010	Spacer	4
9	HQ10116010	Bearing	2
10	SW8002A02	Worm Wheel	1
11	SW8002A03	Taper Bush	2
12	HQ10109010	Spring	1
13	0202005000	Lock Nut-M5	1
14	0302005000	Washer-M5	1
15	LVDD04010/02	Rod	1
16	SW8002A06	Lower Shield	1
17	1501016030	Seal Ring	1
18	6003/2RZ	Bearing	2
19	SW8002A01/04	Worm Gear	1
20	HQ10107010	O Ring	1
21	SW8002A05	Upper Shield	1
22	0106005018	Screw-M5X18	9
23	HQ10113011	Cam A	1
24	HQ10112011	Cam B	1
25	HQ10106010/04	Axle Weldment	1
26	HQ10111020	Bearing	1
27	0701004022	Pin-4×18	1
28	SW8002A09/02	Sproket Wheel	1
29	SW8002A10	Check Ring	1
30	LVDD03000/02	pulley	1
31	0701005040	Pin-5×40	1
32	0401006000	Washer-M6	4
33	0401006000	Spring Washer-M6	4
34	0101006030	Bolt-M6×30	4

E Rear Axle



Order	Part number	Name_English	Quantity
1	08A0164	Chain	1
2	LVDE01000/22	Rear Axle Weldment	1
3	0107008020	Bolt-M8x20	4
5	PFLSA204	Bearing	2
6	0301008000	Washer-M8	4
7	0202008000	Lock Nut-M8	4
8	1001020000	Check Ring-M20	2
9	SW805102	Spacer	2
10	0702006029	Pin-6x29	2
11	SW800401	Bush	2
12	6204/2RZ	Bearing	4
13	LVLZ012	Rear Wheel	2
14	0302008000	Spacer-M8	2
15	0401008000	Spring Washer-M8	2
16	0101008020	Bolt- M8X20	2

F Vacuum Nozzle



Order	Part number	Name_English	Quantity
1	LVSF01010	Adapter	1
2	LVSF0510	Clamp Ring	1
3	LVSF02010	Hose	1
4	LVSF0610	Nozzle	1
5	SW801604	Grip	1
6	LVSF04010/22	Handle	1
7	0101006020	Bolt-M6X20	1
8	0301006000	Spacer	4
9	0202006000	Lock Nut-M6	2
10	0101006035	Bolt-M6X35	1