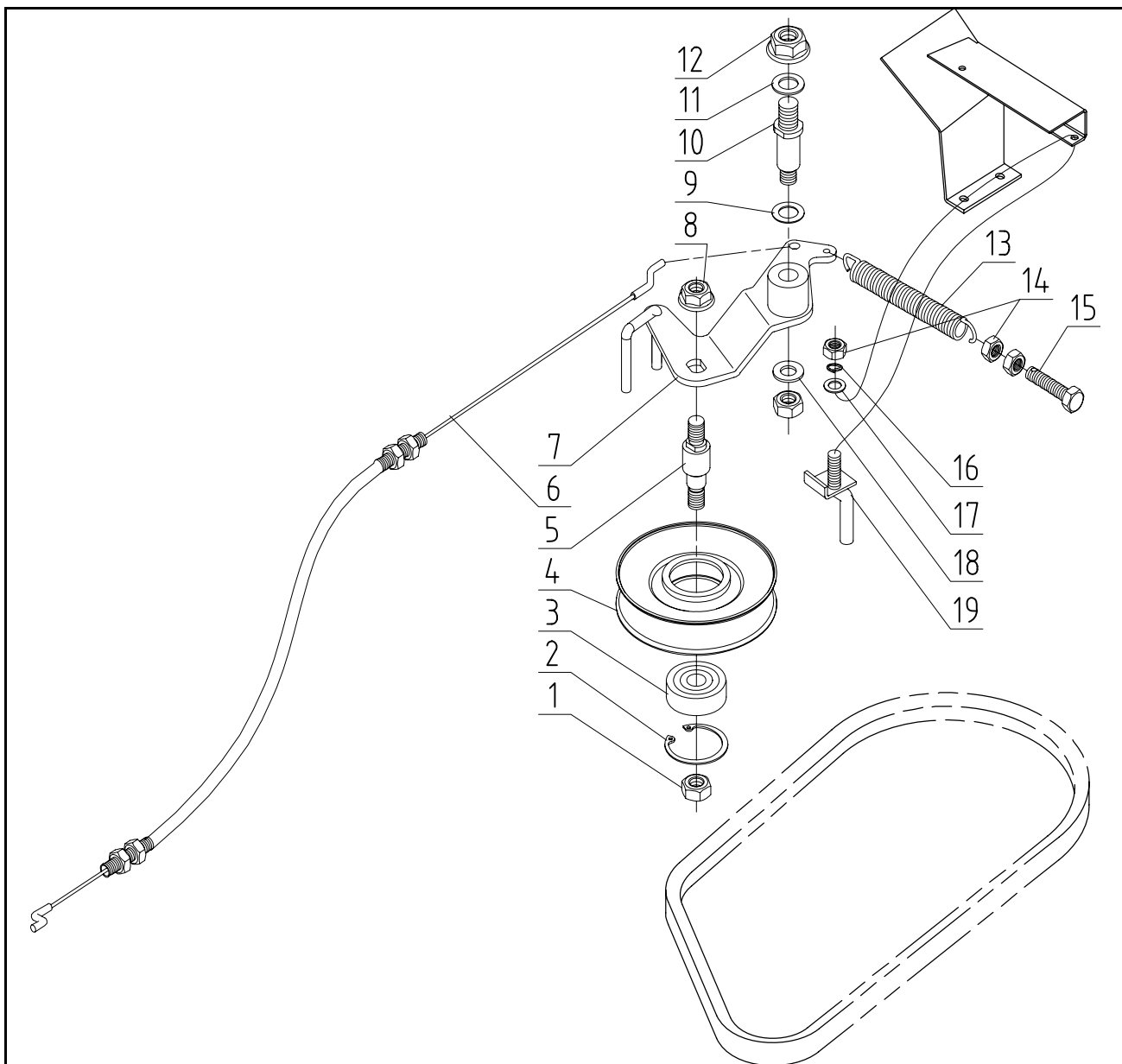


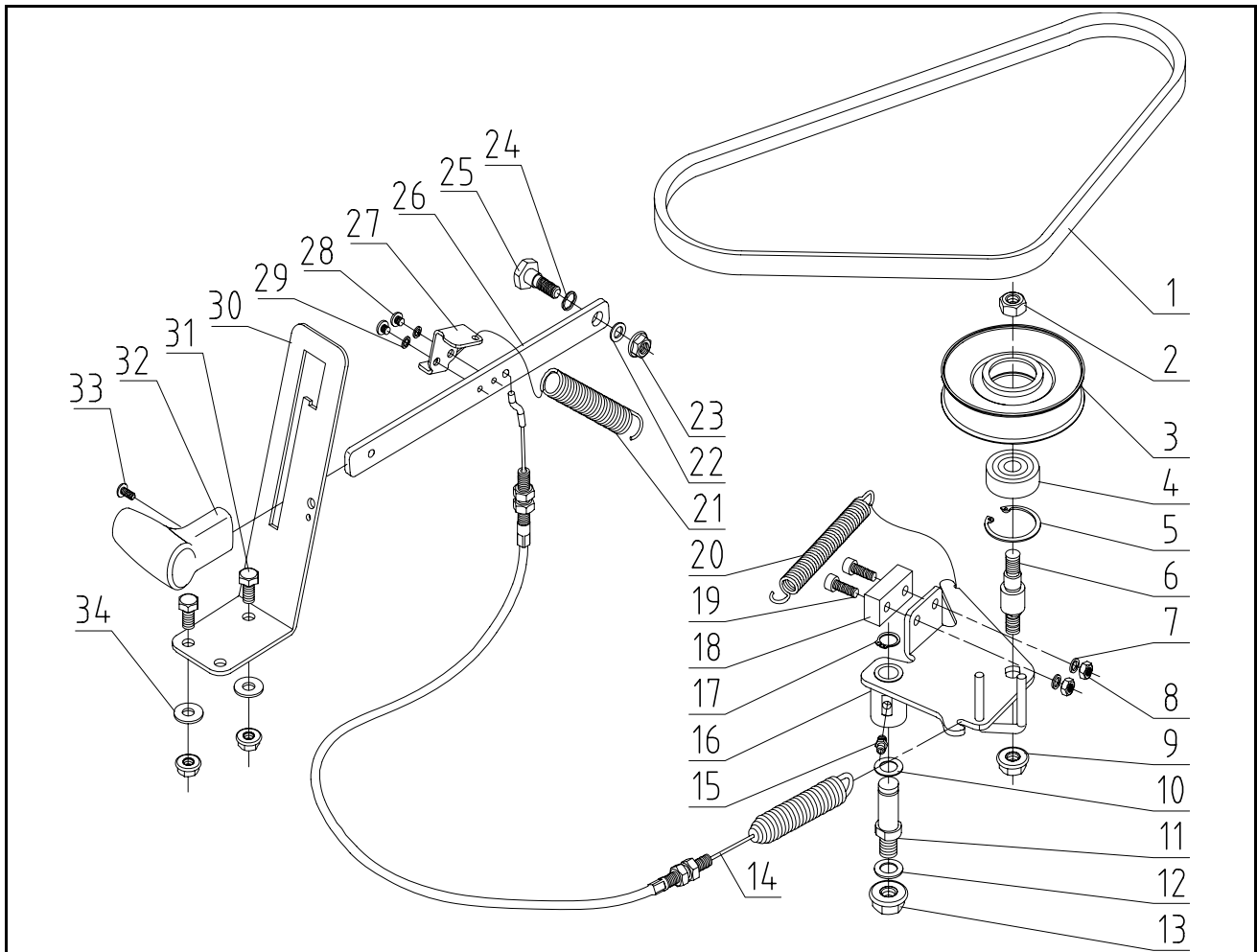
Engine control

| Pozice | Obj.číslo | Popis | Počet |
|--------|-----------|-------------------------------|-------|
| 1 | 20055753 | Screw M4X8 | 2 |
| 2 | 20070501 | clamp plate | 1 |
| 3 | 20070503 | Throttle cable | 1 |
| 4 | 20070497 | 224cc Engine (electric start) | 1 |
| 5 | 20061254 | Hexagon bolt M8X40 | 3 |
| 6 | 20061552 | Washer 8 | 8 |
| 7 | 20061348 | Hexagon lock nut M8 | 3 |
| 8 | 20061320 | BOLT 7/16"-20 - 1" | 1 |
| 9 | 20061455 | Spring washer 7/16" | 1 |
| 10 | 20070537 | Step pulley | 1 |
| 11 | 20070494 | FLAT KEY 4.75× 4.75×30 | 1 |
| 12 | 20070507 | Exhaust connection | 1 |
| 13 | 20061385 | Hexagon lock nut M6 | 2 |
| 14 | 20061200 | Hexagon bolt M6X16 | 2 |



Drive clutch

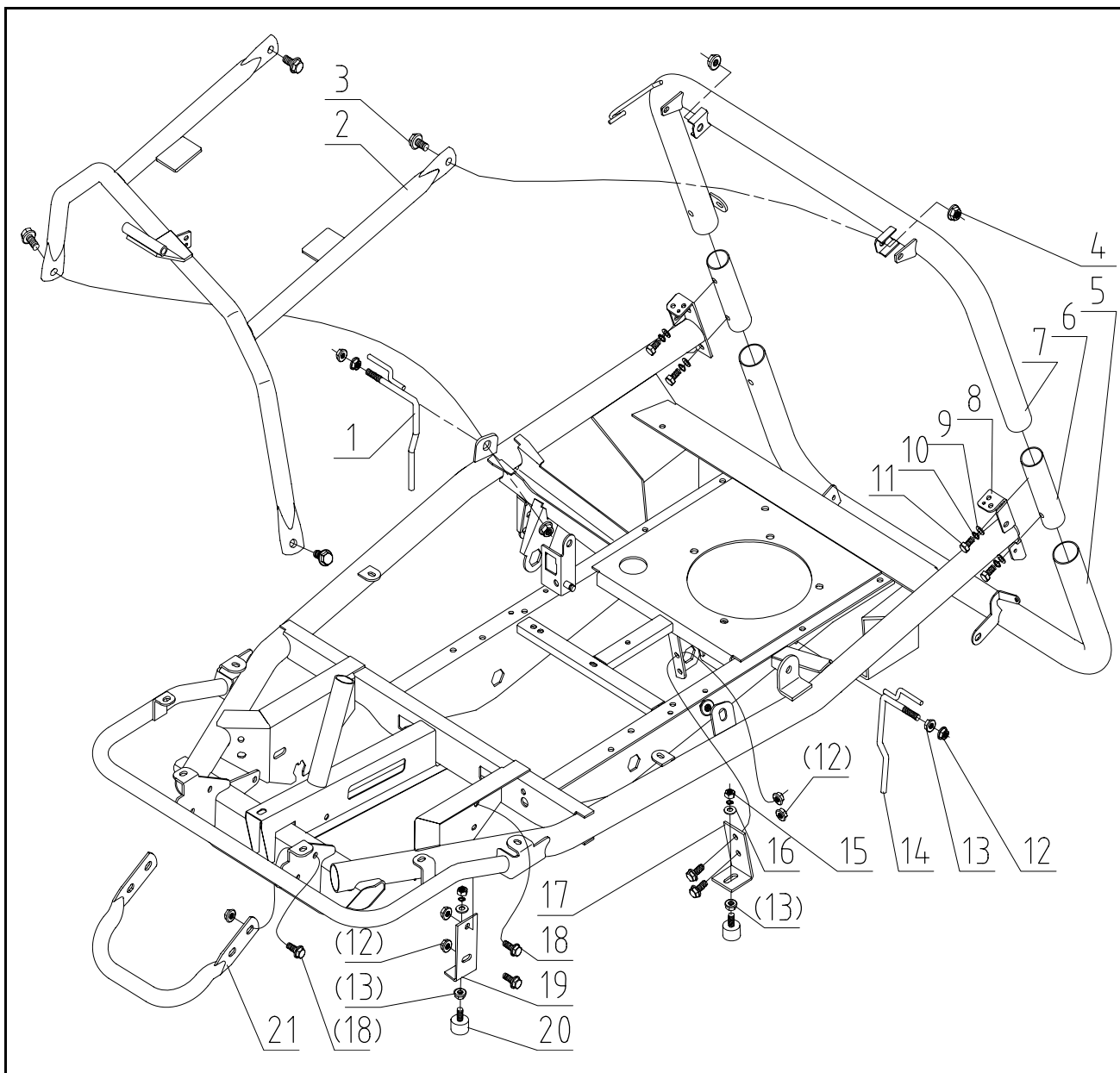
| Pozice | Obj.číslo | Popis | Počet |
|--------|-----------|-------------------------------|-------|
| 1 | 20061403 | Hexagon lock nut M10X1.25 | 2 |
| 2 | 20061549 | SNAP RING 37 | 1 |
| 3 | 20061626 | BEARING 6301-2RS | 1 |
| 4 | 20070536 | TENTION PULLEY | 1 |
| 5 | 20070518 | Tention pulley shaft | 1 |
| 6 | 20070525 | Driving clutch cable assembly | 1 |
| 7 | 20070524 | Driving tention arm assembly | 1 |
| 8 | 20061405 | Hexagon lock nut M10X1.25 | 1 |
| 9 | 20061499 | Wave spring washer | 1 |
| 10 | 20070508 | Driving tention axle | 1 |
| 11 | 20061538 | Washer | 3 |
| 12 | 20061380 | Hexagon nut M12X1.25 | 1 |
| 13 | 20070515 | Spring 2x12 | 1 |
| 14 | 20061393 | Nut M8 | 3 |
| 15 | 20070520 | Eye bolt | 1 |
| 16 | 20061533 | Spring washer 8 | 1 |
| 17 | 20061426 | Washer 8 | 1 |
| 18 | 20070509 | Wear washer10.2x19 | 1 |
| 19 | 20070535 | Rear rod | 1 |



Cutting Clutch

| Pozice | Obj.číslo | Popis | Počet |
|--------|-----------|---------------------------------|-------|
| 1 | 20070493 | V belt B1090Ld17*1050Li B41 1/2 | 1 |
| 2 | 20061403 | Hexagon lock Nut M10X1.25 | 1 |
| 3 | 20070536 | TENTION PULLEY | 1 |
| 4 | 20061626 | BEARING 6301-2RS | 1 |
| 5 | 20061549 | SNAP RING 37 | 1 |
| 6 | 20070518 | Tention pulley shaft | 1 |
| 7 | 20061487 | Spring washer 6 | 2 |
| 8 | 20061390 | Nut M6 | 2 |
| 9 | 20061405 | Hexagon lock Nut M10X1.25 | 1 |
| 10 | 20061499 | Wave spring washer | 1 |
| 11 | 20070516 | Cut tention rod | 1 |
| 12 | 20061538 | Washer | 2 |
| 13 | 20061359 | Hexagon lock Nut M12X1.25 | 1 |
| 14 | 20070527 | Cut clutch cable assembly | 1 |
| 15 | 20061649 | OIL INJECTION NOZZLE | 1 |
| 16 | 20070528 | Cut tention arm assembly | 1 |
| 17 | 20061489 | Axial spring ring 13 | 1 |
| 18 | 20070517 | Brake shoe | 1 |
| 19 | 20061055 | Screw M6X20 | 2 |
| 20 | 20070515 | Spring 2x12 | 1 |
| 21 | 20070510 | Spring | 1 |
| 22 | 20061544 | Washer 8.1x17x1.6 | 1 |
| 23 | 20061348 | Hexagon lock nut M8 | 3 |
| 24 | 20061468 | Wave spring washer 10 | 1 |
| 25 | 20070488 | Screw | 1 |

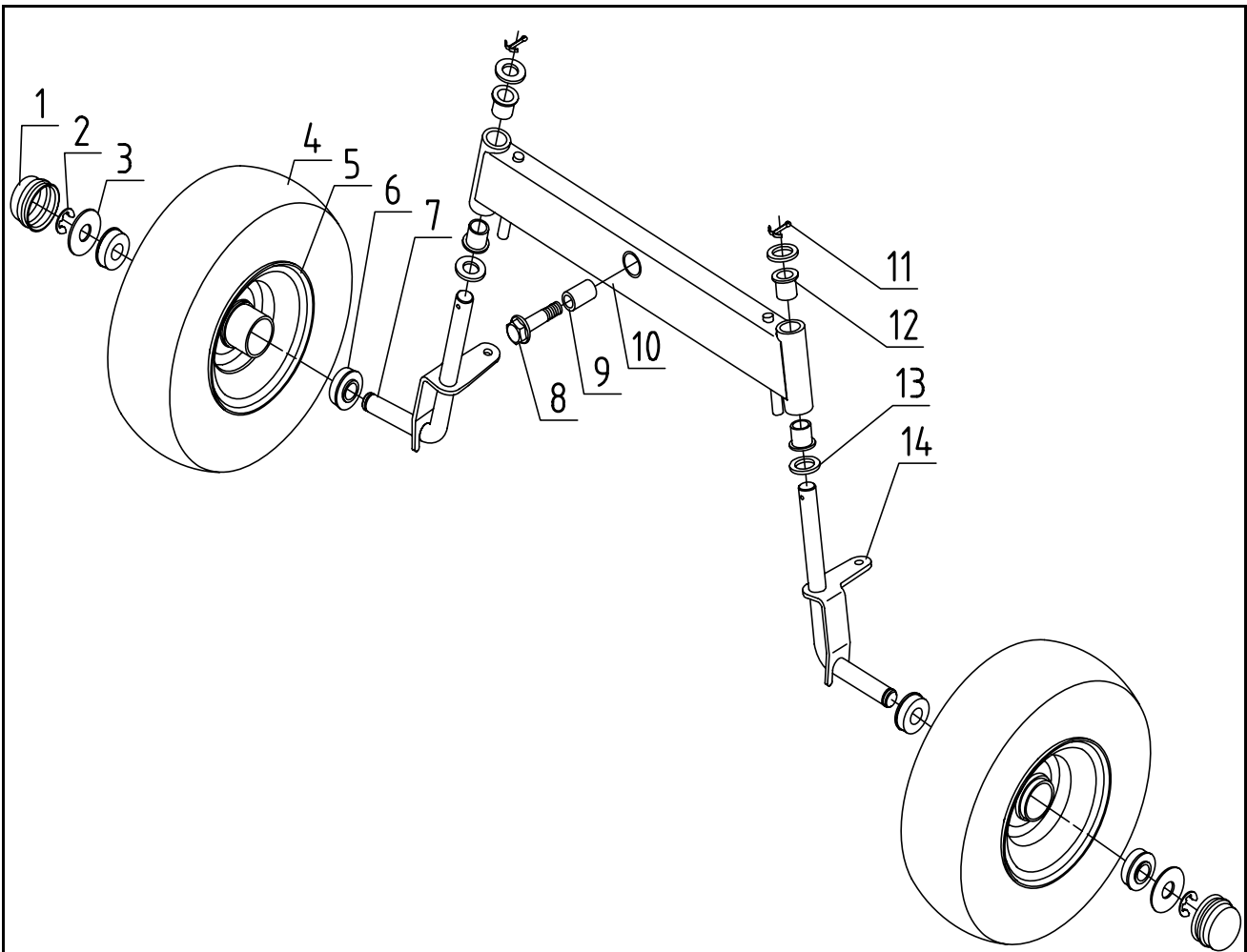
| | | | |
|----|----------|-----------------------------|---|
| 26 | 20070513 | Rotary clutch handle | 1 |
| 27 | 20070511 | Clutch switch contact strip | 1 |
| 28 | 20060848 | Screw M5X8 | 2 |
| 29 | 20061532 | Spring washer 5 | 2 |
| 30 | 20070512 | Clutch slot blard | 1 |
| 31 | 20061291 | Hexagon bolt | 2 |
| 32 | 20070521 | L-shaped handle | 1 |
| 33 | 20055736 | Tapping screw ST4.2X16F | 1 |
| 34 | 20061541 | Washer 8 | 2 |



Frame 62A

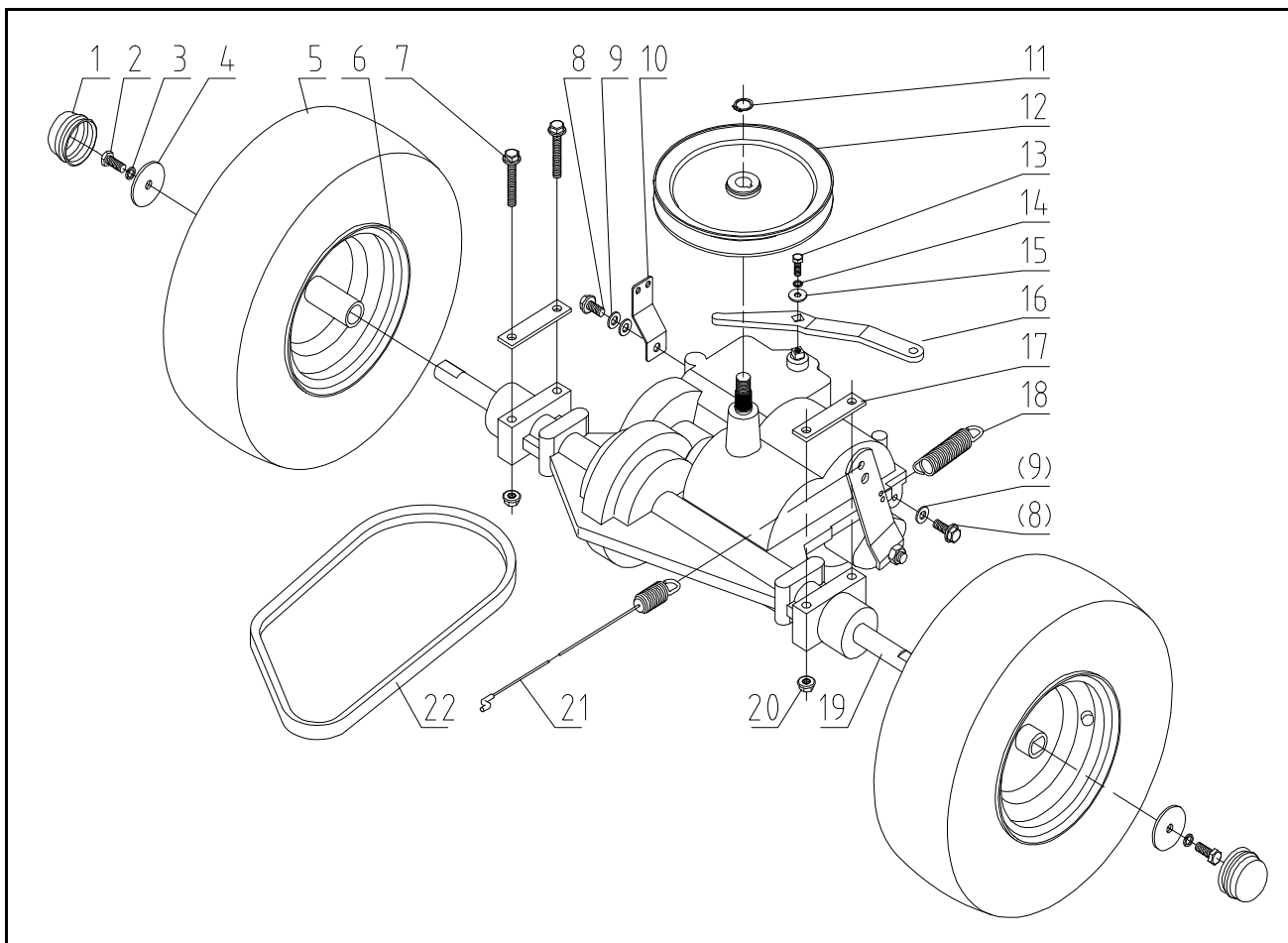
| Pozice | Obj.číslo | Popis | Počet |
|--------|-----------|---------------------------|-------|
| 1 | 20070534 | Right rod assembly | 1 |
| 2 | 20070547 | Chassis assembly | 1 |
| 3 | 20061282 | Hexagon lock M10X1.25X25 | 4 |
| 4 | 20061369 | Hexagon nut 10X1.25 | 4 |
| 5 | 20070550 | Rear lower pipe assembly | 1 |
| 6 | 20070545 | Inner liner tube assembly | 2 |
| 7 | 20070548 | Rear upper pipe assembly | 1 |
| 8 | 20070544 | Frame | 1 |
| 9 | 20061541 | Big washer 8 | 4 |
| 10 | 20061533 | Spring washer 8 | 6 |
| 11 | 20061298 | Hexagon bolt M8X25 | 4 |
| 12 | 20061348 | Hexagon lock nut M8 | 10 |
| 13 | 20061336 | Hexagon nut M8 | 4 |
| 14 | 20070533 | Left rod assembly | 1 |
| 15 | 20061393 | Nut M8 | 2 |
| 16 | 20061544 | Washer 8.1x17x1.6 | 2 |
| 17 | 20070542 | Rear damper | 1 |
| 18 | 20061274 | Hexagon bolt M8X20 | 8 |

| | | | |
|----|----------|--------------------|---|
| 19 | 20070541 | Front damper | 1 |
| 20 | 20070540 | Bumper cushion | 2 |
| 21 | 20070539 | Front protect pipe | 1 |



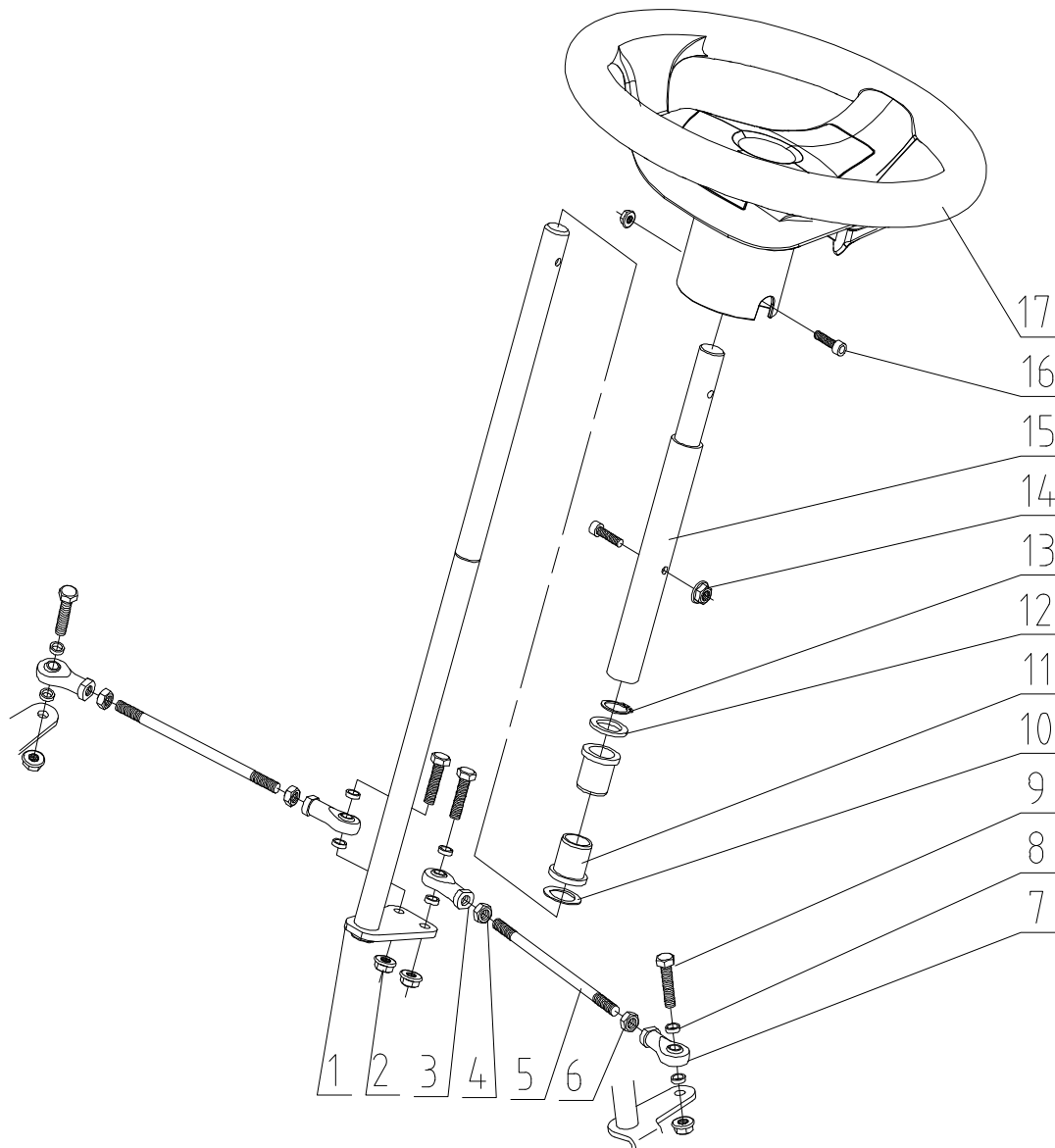
Front bridge

| Pozice | Obj.číslo | Popis | Počet |
|--------|-----------|--------------------------|-------|
| 1 | 20068187 | Hub cover | 2 |
| 2 | 20061473 | Snap ring 12 | 2 |
| 3 | 20070553 | Washer 17x44x2 | 2 |
| 4 | 20070558 | Tyre without inner tube | 2 |
| 5 | 20070559 | Front rim | 2 |
| 6 | 20061627 | Bearing 1635 | 4 |
| 7 | 20070555 | Right stub axle assembly | 1 |
| 8 | 20061286 | Hexagon bolt M12x1.25x50 | 1 |
| 9 | 20070552 | Liner tube | 1 |
| 10 | 20070556 | Front axle assembly | 1 |
| 11 | 20061591 | Cotter pin | 2 |
| 12 | 20070551 | Bush | 4 |
| 13 | 20061437 | Washer 16 | 4 |
| 14 | 20070557 | Left stub axle assembly | 1 |



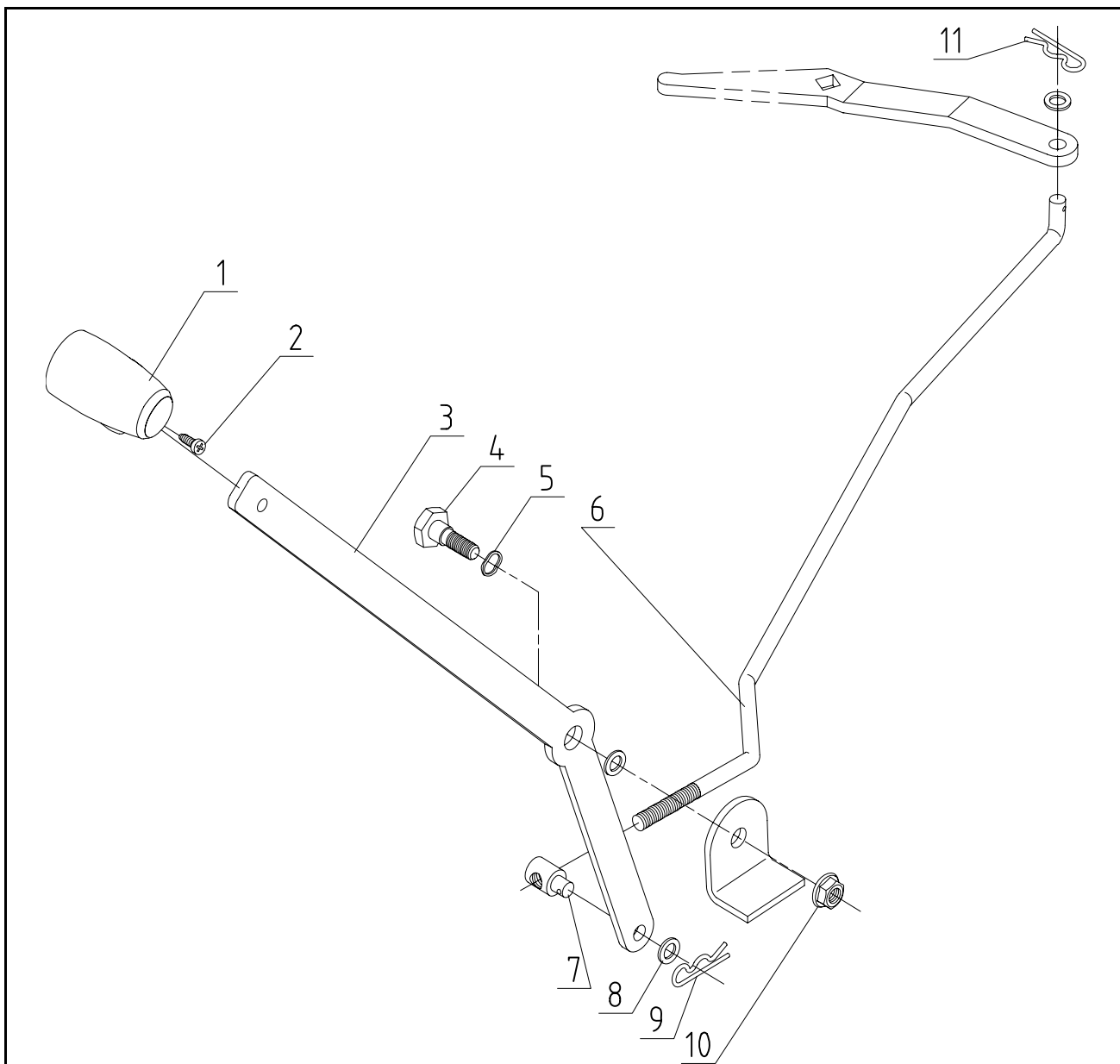
Rear bridge

| Pozice | Obj.číslo | Popis | Počet |
|--------|-----------|--------------------------------|-------|
| 1 | 20068187 | Hub cover | 2 |
| 2 | 20061319 | UK Bolt | 2 |
| 3 | 20061453 | Spring washer 5/16" | 2 |
| 4 | 20071743 | Washer 8.2x43x3 | 2 |
| 5 | 20070561 | Tyre without inner tube | 2 |
| 6 | 20070562 | Rear rim | 2 |
| 7 | 20061240 | Hexagon bolt M8X70 | 4 |
| 8 | 20061053 | Screw M8X20 | 2 |
| 9 | 20061431 | Washer8 | 3 |
| 10 | 20070733 | Clamp | 1 |
| 11 | 20061434 | SNAP RING 16 | 1 |
| 12 | 20070538 | Driving passive wheel assembly | 1 |
| 13 | 20061273 | UK Bolt | 1 |
| 14 | 20061487 | Spring washer 6 | 1 |
| 15 | 20061539 | Washer 6 | 1 |
| 16 | 20070578 | Gear shift arm | 1 |
| 17 | 20070543 | Tie plate | 4 |
| 18 | 20070587 | Brake shoe return spring | 1 |
| 19 | 20070500 | Transmission | 1 |
| 20 | 20061348 | Hexagon lock nut M8 | 4 |
| 21 | 20070592 | Brake Cable | 1 |
| 22 | 20070490 | V belt LG5-370 | 1 |



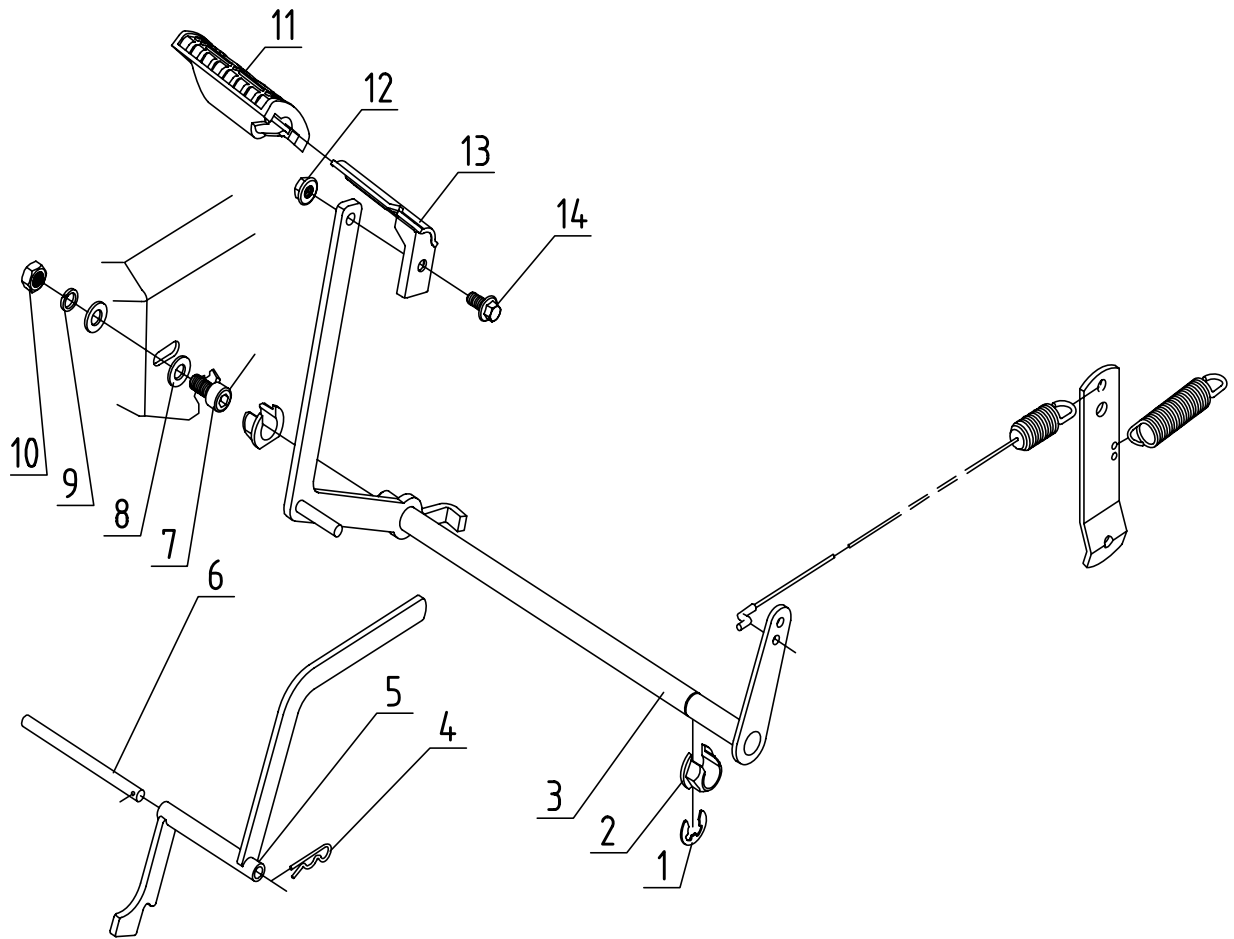
Steering

| Pozice | Obj.číslo | Popis | Počet |
|--------|-----------|-------------------------------|-------|
| 1 | 20070568 | Steering column assembly | 1 |
| 2 | 20061348 | Hexagon lock nut M8 | 4 |
| 3 | 20061629 | Left joint bearing SIJK8C | 2 |
| 4 | 20061394 | Nut M8(left) | 2 |
| 5 | 20070565 | Pull rod | 2 |
| 6 | 20061393 | Nut M8 | 2 |
| 7 | 20061628 | Joint bearing SIJK8C | 2 |
| 8 | 20070564 | Spacer | 8 |
| 9 | 20061290 | Bolt M8X35 | 4 |
| 10 | 20061505 | Wave spring washer | 2 |
| 11 | 20070566 | Bush | 2 |
| 12 | 20061440 | Washer 20 | 1 |
| 13 | 20061488 | Axial elastic ring 19 | 1 |
| 14 | 20061385 | Hexagon lock nut M6 | 2 |
| 15 | 20070567 | Steering column extension rod | 1 |
| 16 | 20060880 | Screw M6X35 | 2 |
| 17 | 20070944 | Steering wheel | 1 |



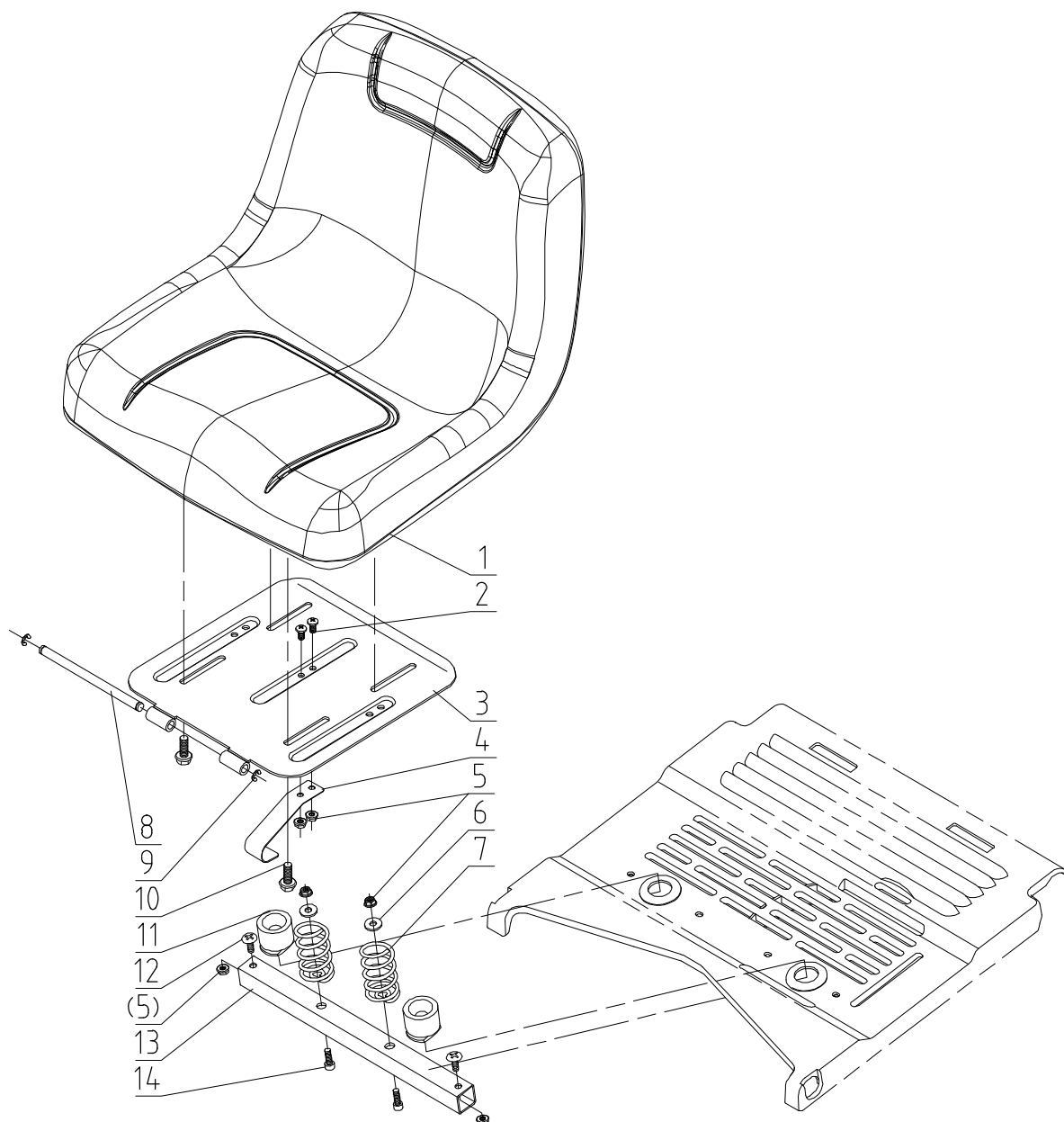
Shift

| Pozice | Obj.číslo | Popis | Počet |
|--------|-----------|-------------------------|-------|
| 1 | 20070521 | Knob | 1 |
| 2 | 20055736 | Tapping screw ST4.2x16F | 1 |
| 3 | 20070580 | Gear shift lever | 1 |
| 4 | 20070488 | Screw | 1 |
| 5 | 20061468 | Wave spring washer 10 | 1 |
| 6 | 20070579 | Gear shift rod | 1 |
| 7 | 20070581 | Gear shift pin | 1 |
| 8 | 20061544 | Washer 8.1x1.7x1.6 | 3 |
| 9 | 20070576 | Cotter pin | 1 |
| 10 | 20061348 | Hexagon lock nut M8 | 1 |
| 11 | 20070582 | Hexagon lock nut M8 | 1 |



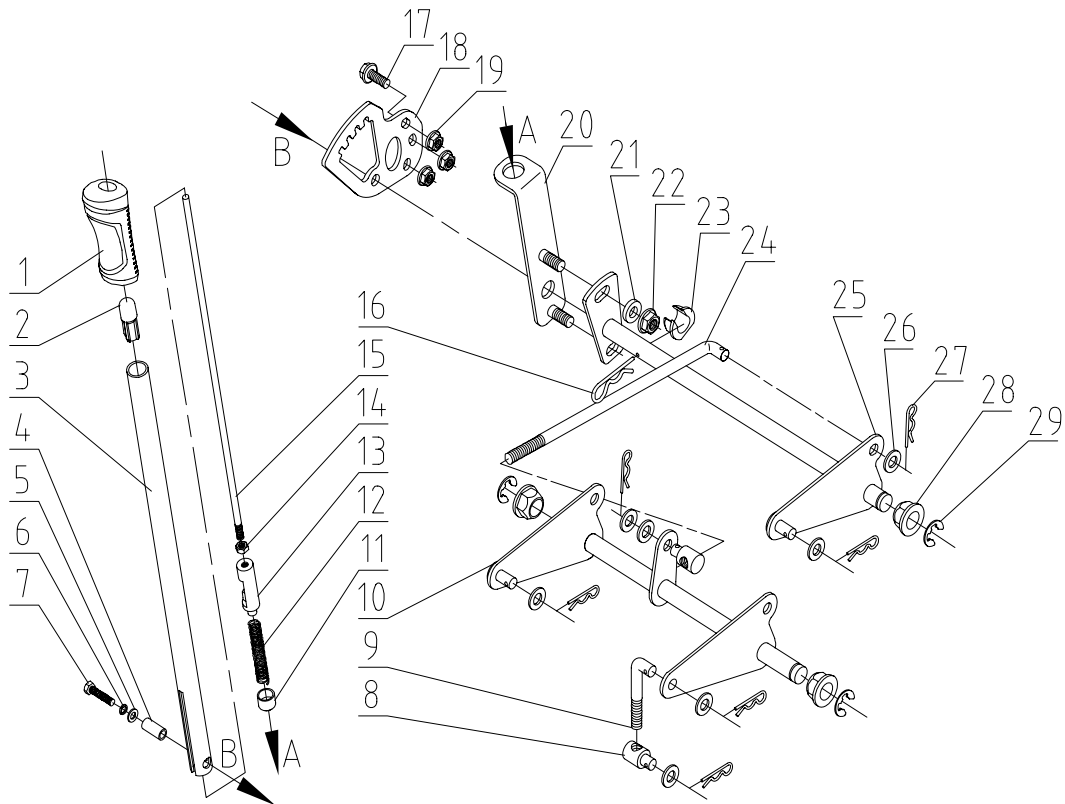
Brake

| Pozice | Obj.číslo | Popis | Počet |
|--------|-----------|-----------------------|-------|
| 1 | 20061473 | Snap ring 12 | 1 |
| 2 | 20070586 | Snap bush | 2 |
| 3 | 20070591 | Brake pedal assembly | 1 |
| 4 | 20070576 | Cotter pin | 1 |
| 5 | 20070589 | Brake handle assembly | 1 |
| 6 | 20070585 | Brake axle pin | 1 |
| 7 | 20061056 | Screw M10X20 | 1 |
| 8 | 20061497 | Washer 10 | 2 |
| 9 | 20061536 | Spring washer 10 | 1 |
| 10 | 20061399 | Nut M10 | 1 |
| 11 | 20070584 | Brake pedal | 1 |
| 12 | 20061348 | Hexagon lock nut M8 | 1 |
| 13 | 20070588 | Brake pedal bracket | 1 |
| 14 | 20061274 | Hexagon bolt M8X20 | 1 |



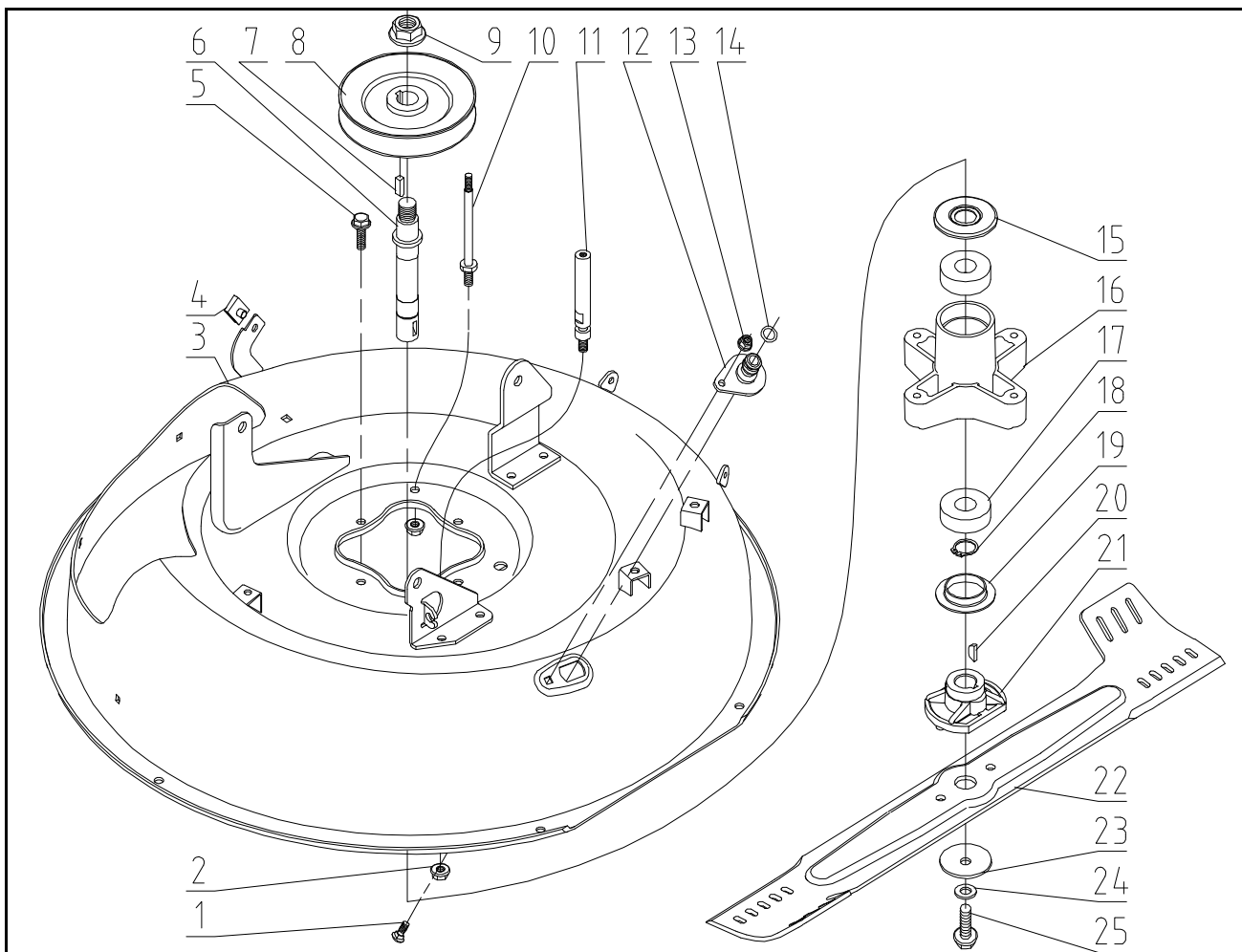
Seat

| Pozice | Obj.číslo | Popis | Počet |
|--------|-----------|---------------------|-------|
| 1 | 20070600 | Seat | 1 |
| 2 | 20061015 | Screw M6X16 | 2 |
| 3 | 20070598 | Plate | 1 |
| 4 | 20070728 | Seat switch contact | 1 |
| 5 | 20061385 | Hexagon lock nut M6 | 6 |
| 6 | 20061539 | Washer 6 | 2 |
| 7 | 20070596 | Spring | 2 |
| 8 | 20070597 | Pin | 1 |
| 9 | 20061679 | Snap ring 6 | 2 |
| 10 | 20061274 | Hexagon bolt M8x20 | 4 |
| 11 | 20070594 | Rubber cushion | 2 |
| 12 | 20060893 | SCREW M6x16 | 2 |
| 13 | 20070595 | Seat support pipe | 1 |
| 14 | 20061055 | Screw M6X20 | 2 |



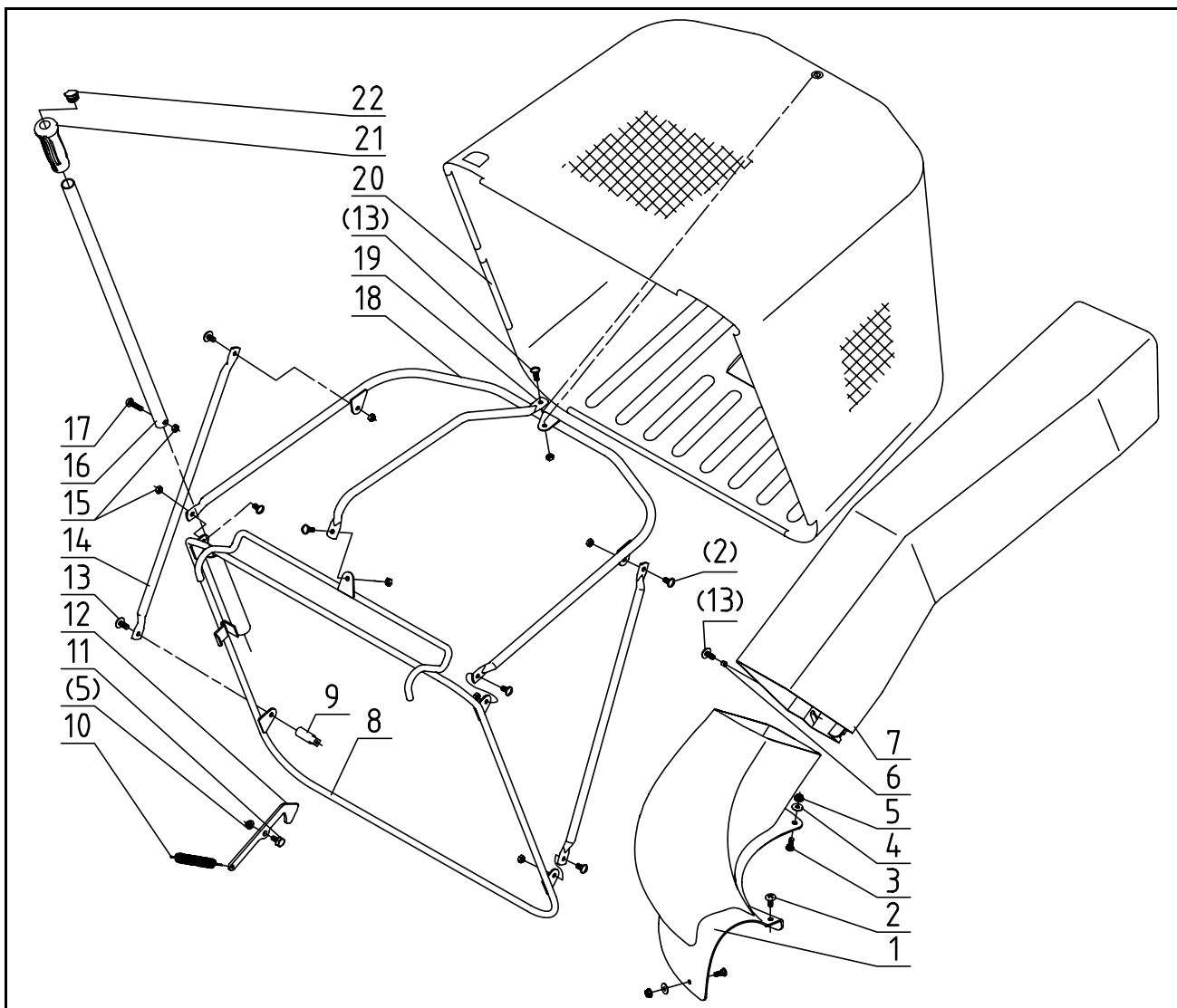
Lift

| Pozice | Obj.číslo | Popis | Počet |
|--------|-----------|--|-------|
| 1 | 20070602 | Lift handle | 1 |
| 2 | 20070601 | Button | 1 |
| 3 | 20070603 | Lever | 1 |
| 4 | 20070608 | Bush | 1 |
| 5 | 20061482 | Washer 6 | 1 |
| 6 | 20061487 | Spring washer 6 | 1 |
| 7 | 20061246 | Bolt M6X35 | 1 |
| 8 | 20070613 | Adjusting pin | 2 |
| 9 | 20070614 | Adjusting rod | 1 |
| 10 | 20070620 | Front arm assembly | 1 |
| 11 | 20070607 | Spring retainer | 1 |
| 12 | 20070606 | Spring | 1 |
| 13 | 20070605 | Pin | 1 |
| 14 | 20061390 | Nut M6 | 1 |
| 15 | 20070604 | Push rod | 1 |
| 16 | 20071251 | Cotter pin $\phi 3$ | 1 |
| 17 | 20061274 | Hexagon bolt M8X20 | 3 |
| 18 | 20070609 | Pinion rack | 1 |
| 19 | 20061336 | Hexagon nut M8 | 3 |
| 20 | 20070615 | Lift arm assembly | 1 |
| 21 | 20070610 | WASHER $\phi 10.1 \times \phi 20 \times 4$ | 2 |
| 22 | 20061405 | Hexagon lock nut M10X1.25 | 2 |
| 23 | 20070586 | Snap bush | 1 |
| 24 | 20070611 | Joint rod | 1 |
| 25 | 20070618 | Rear arm assembly | 1 |
| 26 | 20061497 | Washer 10 | 8 |
| 27 | 20070576 | Cotter pin | 6 |
| 28 | 20070612 | Hexagon bush | 3 |
| 29 | 20061473 | Snap ring 12 | 3 |



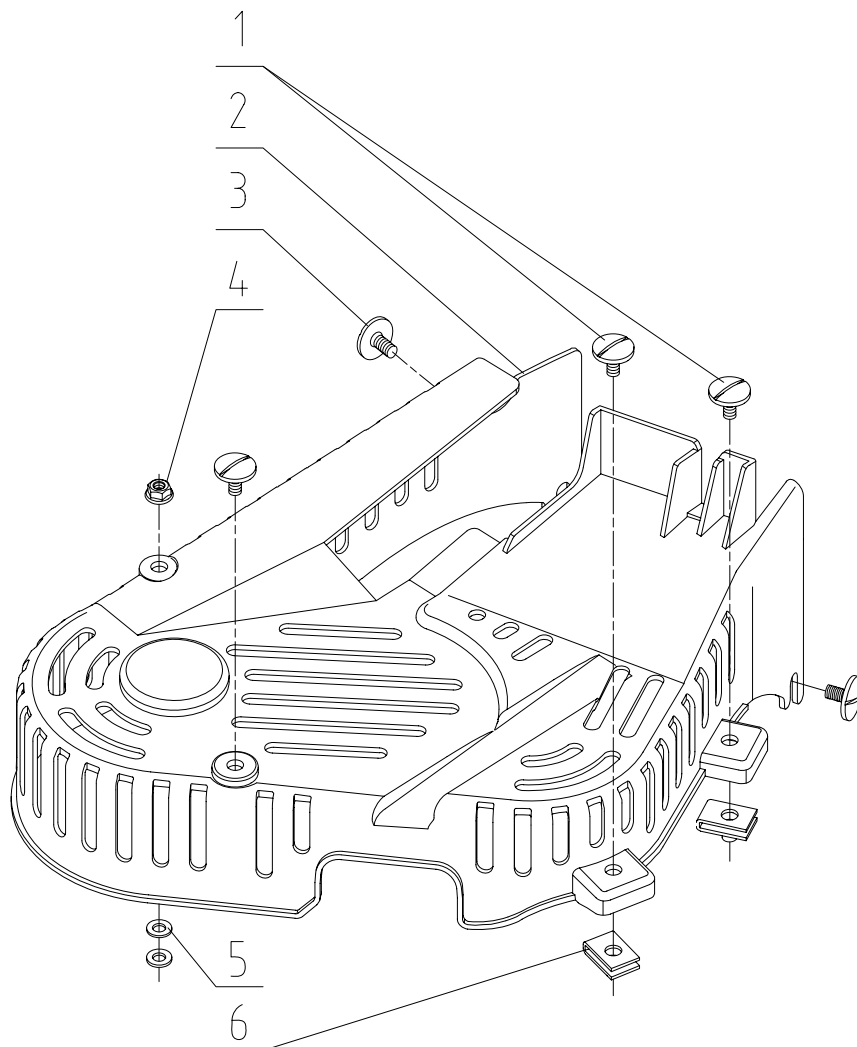
Blade

| Pozice | Obj.číslo | Popis | Počet |
|--------|-----------|-------------------------|-------|
| 1 | 20061289 | Bolt M6X16 | 1 |
| 2 | 20061348 | Hexagon lock nut M8 | 2 |
| 3 | 20070636 | Shell assembly | 1 |
| 4 | 20070630 | Buckle nut M6 | 1 |
| 5 | 20061298 | Hexagon bolt M8X25 | 4 |
| 6 | 20070622 | Blade spindle | 1 |
| 7 | 20061650 | Flat key C6X18 | 1 |
| 8 | 20070638 | Pulley | 1 |
| 9 | 20070627 | Nut for blade axle | 1 |
| 10 | 20070629 | Bolt M8 | 1 |
| 11 | 20070626 | Hanging post | 1 |
| 12 | 20061385 | Water nozzle | 1 |
| 13 | 20070624 | Hexagon lock nut M6 | 1 |
| 14 | 20055756 | O shaped ring 11.2x2.65 | 1 |
| 15 | 20071285 | Hood, Bearing | 1 |
| 16 | 20054347 | Blade base | 1 |
| 17 | 20061625 | Bearing 6204-2RZ | 2 |
| 18 | 20061488 | Axial elastic ring 19 | 1 |
| 19 | 20070635 | Hood, Bearing | 1 |
| 20 | 20061651 | Semi circular key 4x16 | 1 |
| 21 | 20054345 | Sleeve | 1 |
| 22 | 20070621 | Blade | 1 |
| 23 | 20070623 | Dish washer | 1 |
| 24 | 20061497 | Washer 10 | 1 |
| 25 | 20061267 | Bolt | 1 |



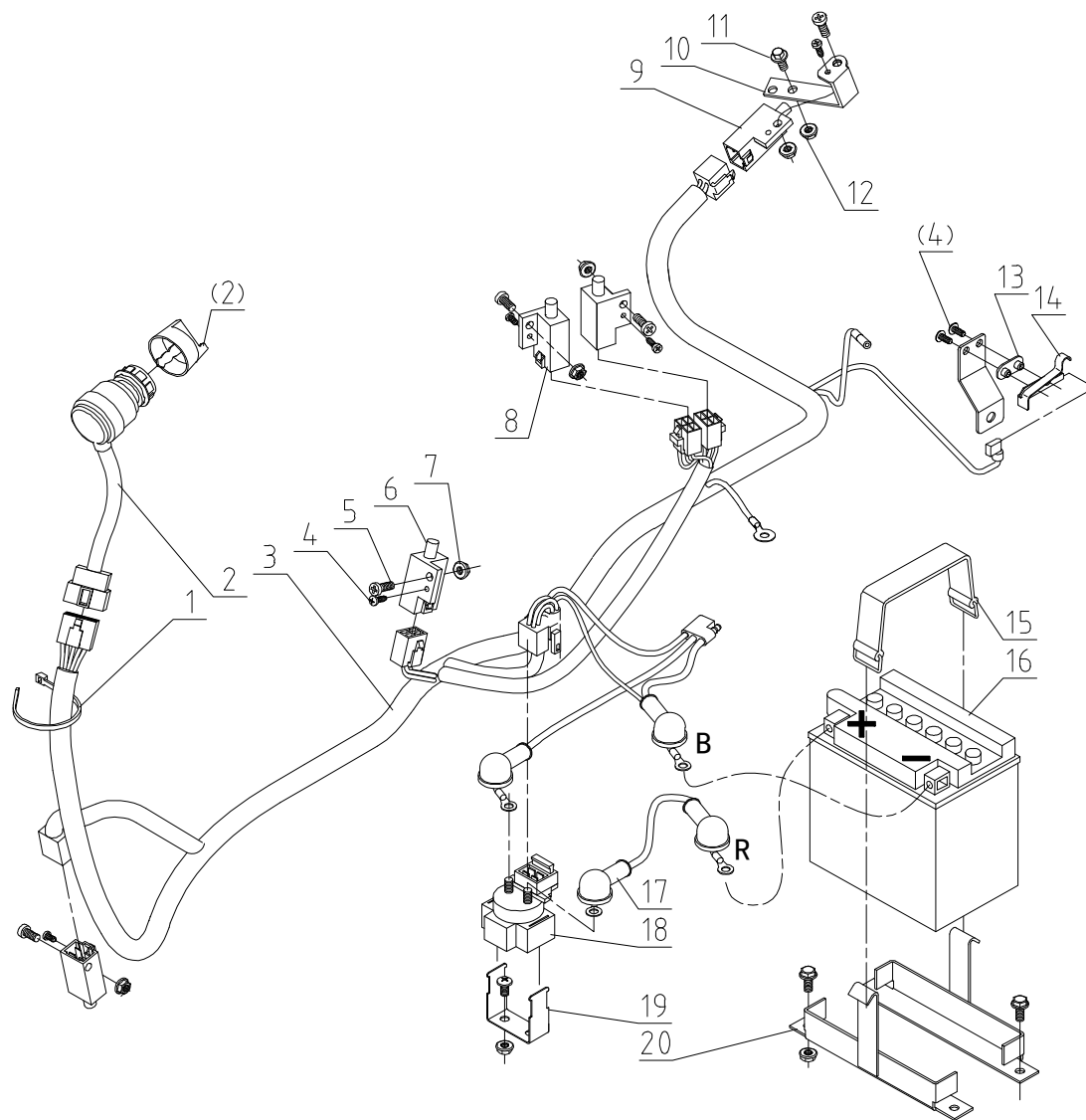
Grass

| Pozice | Obj.číslo | Popis | Počet |
|--------|-----------|-----------------------|-------|
| 1 | 20070639 | Front grass collector | 1 |
| 2 | 20060923 | Screw M6X12 | 7 |
| 3 | 20061289 | Bolt M6X16 | 4 |
| 4 | 20061539 | Washer 6 | 4 |
| 5 | 20061385 | Hexagon lock nut | 5 |
| 6 | 20070640 | Spacer | 1 |
| 7 | 20070641 | Rear grass collector | 1 |
| 8 | 20070665 | Mount frame assembly | 1 |
| 9 | 20070655 | Nut | 1 |
| 10 | 20070645 | Spring | 1 |
| 11 | 20070649 | Pin screw | 1 |
| 12 | 20070646 | Hook | 1 |
| 13 | 20060893 | SCREW M6×16 | 3 |
| 14 | 20070651 | Side stay pipe | 2 |
| 15 | 20061421 | Hexagon lock nut M6 | 8 |
| 16 | 20070644 | Side stay pipe | 1 |
| 17 | 20060851 | Screw M6X25 | 1 |
| 18 | 20070664 | Girder frame assembly | 1 |
| 19 | 20070653 | Rod | 1 |
| 20 | 20070656 | Grass catcher | 1 |
| 21 | 20070643 | Lift handle | 1 |
| 22 | 20070642 | Core plug | 1 |



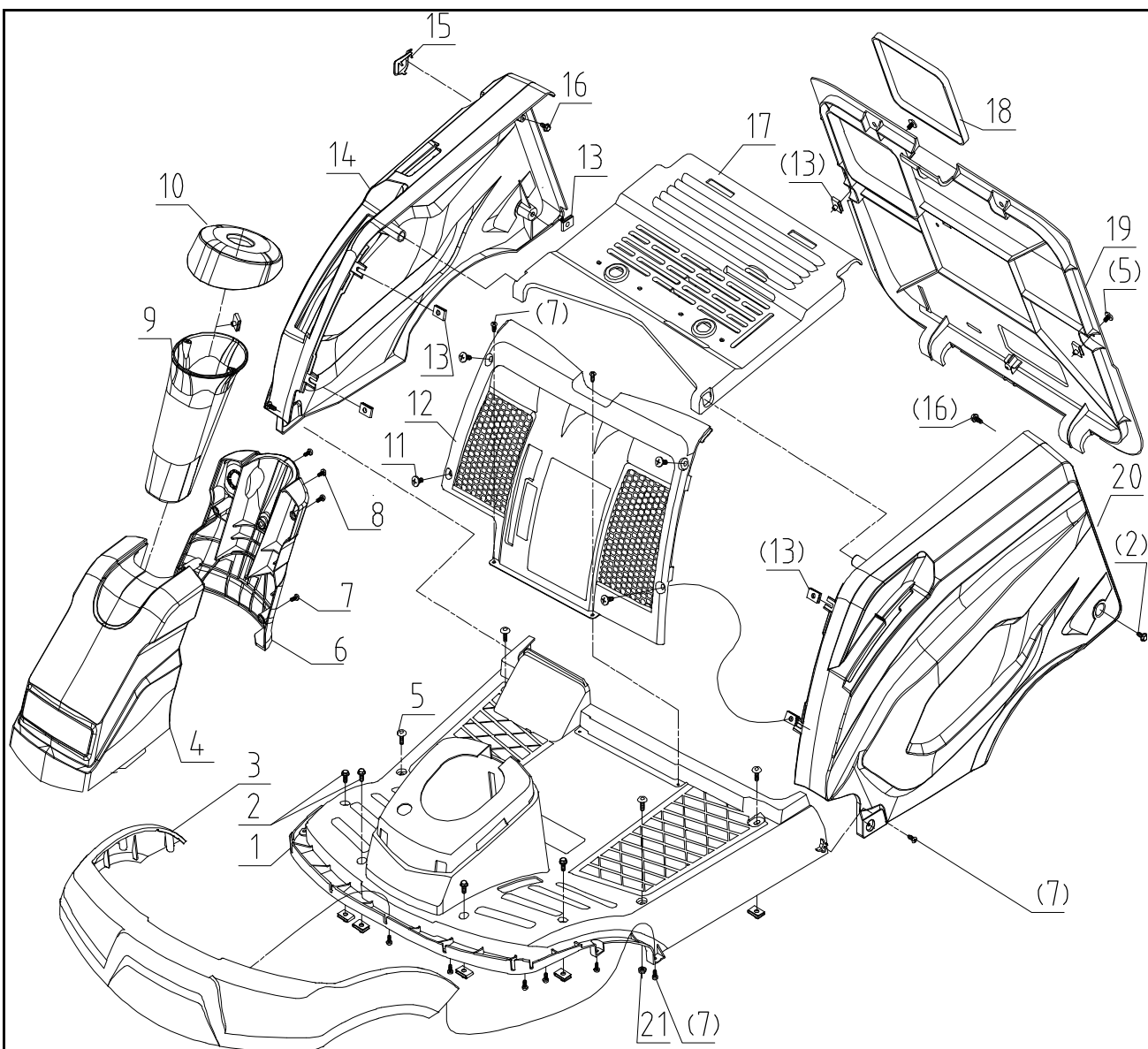
Belt guard

| Pozice | Obj.číslo | Popis | Počet |
|--------|-----------|---------------------|-------|
| 1 | 20060893 | Screw M6X16 | 2 |
| 2 | 20068199 | Front belt cover | 1 |
| 3 | 20060923 | Screw M6X12 | 3 |
| 4 | 20061385 | Hexagon lock nut M6 | 1 |
| 5 | 20061482 | Washer 6 | 2 |
| 6 | 20070630 | Buckle nut M6 | 2 |

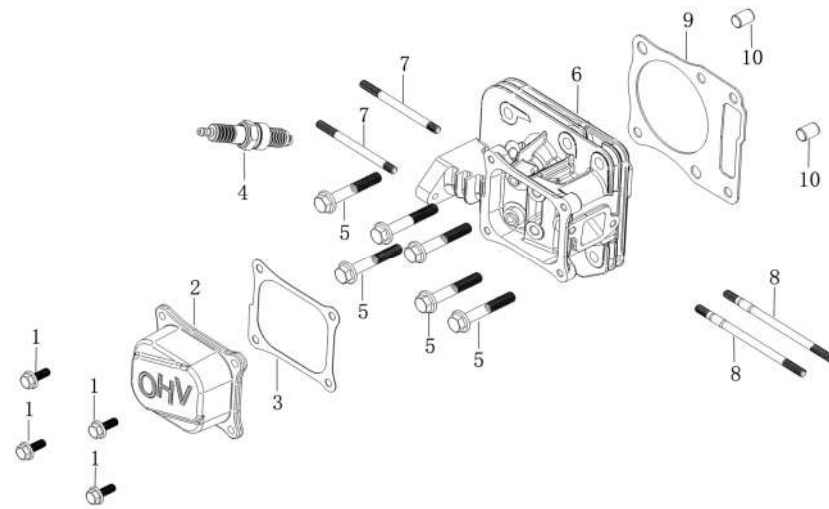


Electric

| Pozice | Obj.číslo | Popis | Počet |
|--------|------------|---------------------------------|-------|
| 1 | 20051895 | Cable tie | 20 |
| 2 | 20089346 | Electric door lock | 1 |
| | 12.02.0041 | key | 1 |
| 3 | 20070735 | Electric cable (electric start) | 1 |
| 4 | 20051776 | Tapping screw ST4.2X10 | 7 |
| 5 | 20061013 | Screw M6X16 | 7 |
| 6 | 20070745 | Open close switch | 2 |
| 7 | 20061406 | Hexagon flange nut M6 | 6 |
| 8 | 20070742 | Double normally closed switch | 2 |
| 9 | 20070739 | Single normally closed switch | 1 |
| 10 | 20070727 | Clamp | 1 |
| 11 | 20061200 | Hexagon flange bolt M6X16 | 6 |
| 12 | 20061385 | Hexagon flange lock nut M6 | 8 |
| 13 | 20070725 | Insulating strip | 1 |
| 14 | 20070726 | Switch contact chip | 1 |
| 15 | 20070744 | Belt | 1 |
| 16 | 20070732 | Battery | 1 |
| 17 | | Power cord | 1 |
| 18 | 20070730 | Star relay | 1 |
| 19 | 20070729 | Clamp | 1 |
| 20 | 20070743 | Clamp | 2 |

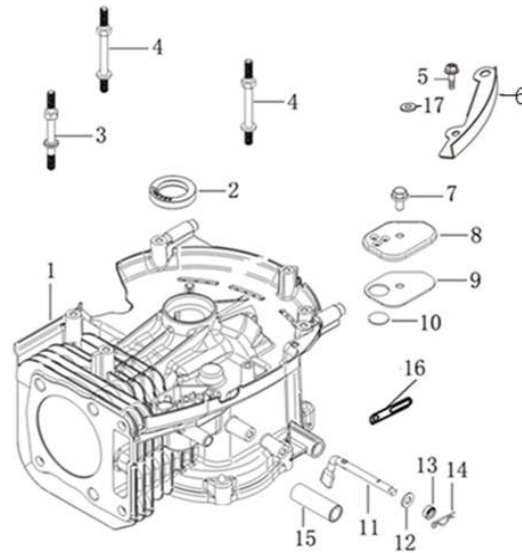


| Pozice | Obj.číslo | Popis | Počet |
|--------|-----------|------------------------|-------|
| 1 | 20070807 | Bottom plate | 1 |
| 2 | 20061183 | Hexagon bolt M6*20 | 2 |
| 3 | 20070670 | Front cover | 1 |
| 4 | 20087733 | Front column cover | 1 |
| 5 | 20060858 | Screw M6*20 | 8 |
| 6 | 20087734 | Rear column cover | 1 |
| 7 | 20061038 | Tapping screw ST4.8*16 | 31 |
| 8 | 20060919 | SCREW M6*25 | 1 |
| 9 | 20082656 | | 1 |
| 10 | 20087735 | | 1 |
| 11 | 20060893 | SCREW M6*16 | 8 |
| 12 | 20070693 | Front engine cover | 1 |
| 13 | 20070630 | Buckle nut M6 | 11 |
| 14 | 20087732 | Rear column cover | 1 |
| 15 | 20070721 | Cap sleeve | 1 |
| 16 | 20061018 | Tapping screw ST6*16 | 2 |
| 17 | 20070698 | Engine cover | 1 |
| 18 | 20071687 | Sealing strip | 1 |
| 19 | 20070809 | Rear cover | 1 |
| 20 | 20087731 | Left cover plate | 1 |
| 21 | 20061406 | Hexagon flange nut M6 | 2 |



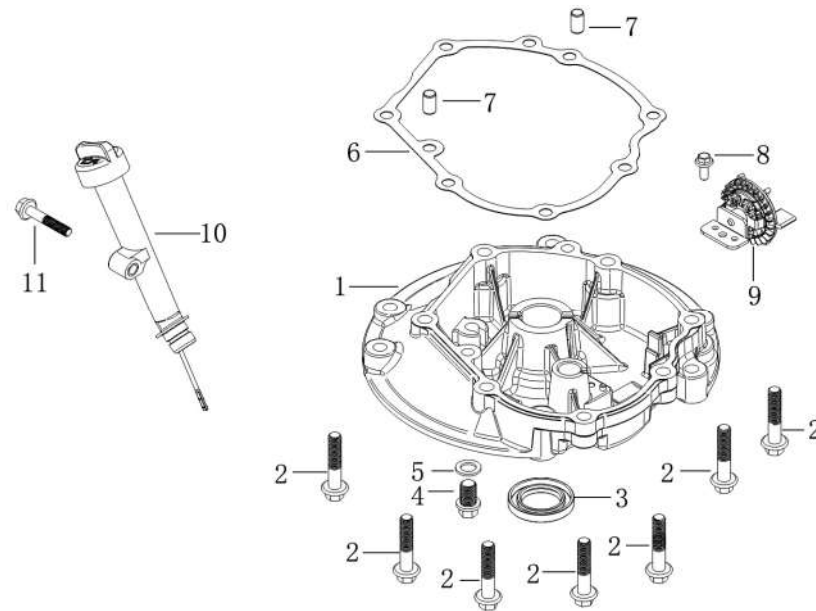
Cylinder head

| Pozice | Obj.číslo | Popis | Počet |
|--------|----------------|--------------------------------|-------|
| 1 | 380140013-0005 | Hexagon bolt with flange | 4 |
| 2 | 120230152-0001 | Cylinder head cover | 1 |
| 3 | 120250059-0001 | Gasket for cylinder head cover | 1 |
| 4 | 270960014-0001 | Spark plug | 1 |
| 5 | 380140339-0001 | Hexagon bolt with flange | 6 |
| 6 | 120080609-0002 | Cylinder head | 1 |
| 7 | 380180114-0001 | Stud | 2 |
| 8 | 380180093-0001 | Stud | 2 |
| 9 | 120150211-0002 | Gasket for cylinder head | 1 |
| 10 | 380600117-0001 | ocation pin | 2 |
| | | | |
| | | | |
| | | | |
| | | | |



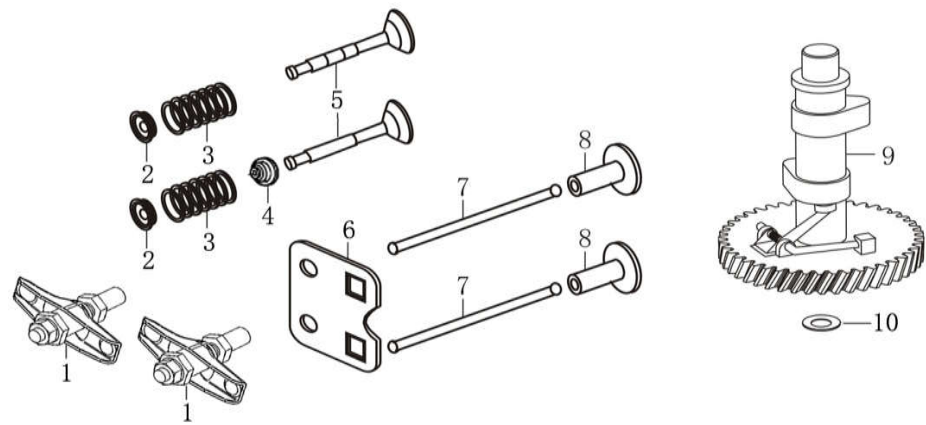
Crank case

| Pozice | Obj.číslo | Popis | Počet |
|--------|----------------|---------------------------|-------|
| 1 | 110810261-0002 | Crankcase body | 1 |
| 2 | 380650335-0001 | Oil seal | 1 |
| 3 | 380850002-0001 | Stay stud | 1 |
| 4 | 380850006-0001 | Stay stud | 2 |
| 5 | 380140086-0002 | Hexagon bolt with flange | 1 |
| 6 | 160200037-0001 | Side plate | 1 |
| 7 | 380140067-0003 | Hexagon bolt with flange | 1 |
| 8 | 110840031-0001 | CAP,BREATHER CHAMBER | 1 |
| 9 | 110850021-0001 | PACKING, BREATHER CHAMBER | 1 |
| 10 | 110860005-0001 | Breath fin | 1 |
| 11 | 171630023-0001 | Speed regulating arm | 1 |
| 12 | 380450527-0001 | Flat washer | 1 |
| 13 | 380650338-0001 | Oil seal | 1 |
| 14 | 381350004-0001 | Pin clip | 1 |



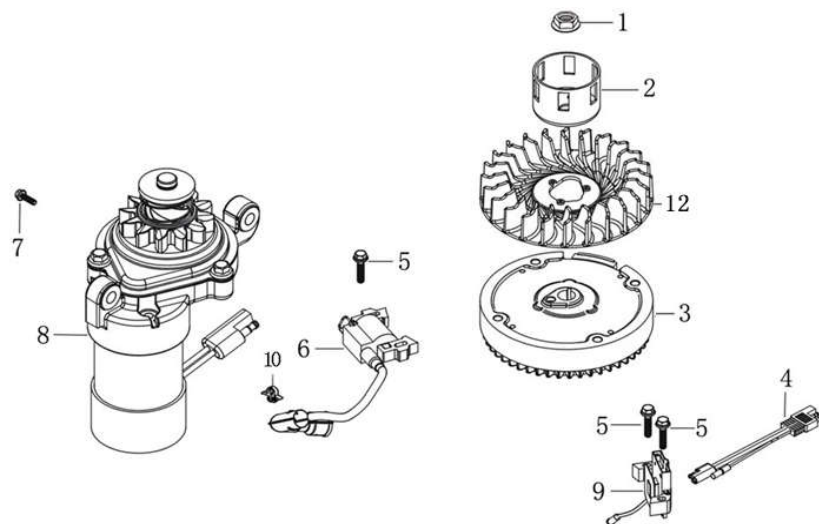
Crank case cover

| Pozice | Obj.číslo | Popis | Počet |
|--------|----------------|-----------------------------|-------|
| 1 | 110820128-0001 | Crankcase cover | 1 |
| 2 | 380140005-0006 | Hexagon bolt with flange | 7 |
| 3 | 380650347-0001 | Oil seal | 1 |
| 4 | 110260025-0001 | Sealing plug screw | 1 |
| 5 | 380450514-0001 | Flat washer | 1 |
| 6 | 110830062-0001 | Crankcase cover gasket | 1 |
| 7 | 380600120-0001 | ocation pin | 2 |
| 8 | 380140167-0002 | Hexagon bolt with flange | 1 |
| 9 | 171750031-0001 | Components of governor gear | 1 |
| 10 | 110690105-0002 | Oil rule combination | 1 |
| 11 | 380140100-0003 | Hexagon bolt with flange | 1 |
| | | | |
| | | | |
| | | | |



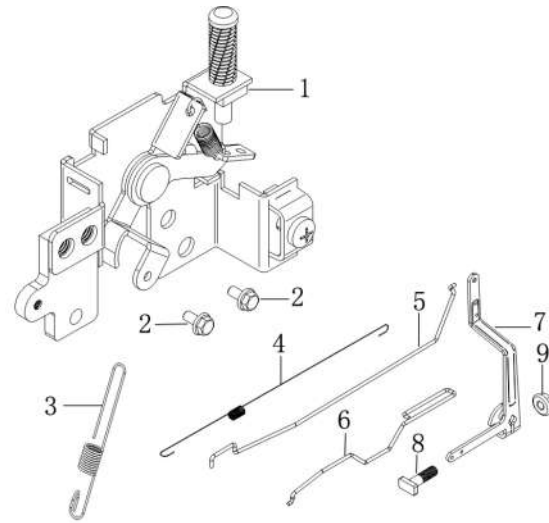
Camshaft

| Pozice | Obj.číslo | Popis | Počet |
|--------|----------------|--------------------------|-------|
| 1 | 140450022-0001 | Valve rocker combination | 2 |
| 2 | 140380020-0001 | Retainer, valve spring | 2 |
| 3 | 140340039-0001 | Inner spring of valve | 2 |
| 4 | 140400016-0001 | Valve oil seal | 1 |
| 5 | 500550076-0001 | Valve Kit | 1 |
| 6 | 140710015-0001 | Plate, push rod guide | 1 |
| 7 | 140670032-0001 | Push rod | 2 |
| 8 | 140690002-0001 | Lifter, Valve | 2 |
| 9 | 140020189-0001 | Camshaft assy | 1 |
| 10 | 380450534-0001 | Flat washer | 1 |
| | | | |
| | | | |
| | | | |
| | | | |



Flywheel / Ignition

| Pozice | Obj.číslo | Popis | Počet |
|--------|----------------|---|-------|
| 1 | 380370051-0001 | Hexagon nut with flange | 1 |
| 2 | 193590036-0001 | Starting disc | 1 |
| 3 | 270020265-0001 | FLYWHEEL COMP | 1 |
| 4 | 270370028-0001 | Wire bundle of starting motor | 1 |
| 5 | 380140024-0006 | Hexagon bolt with flange | 3 |
| 6 | 270920333-0001 | COIL ASSY.,IGNNTION | 1 |
| 7 | 380140086-0002 | Hexagon bolt with flange | 1 |
| 8 | 270360150-0001 | Components of starting motor | 1 |
| 9 | 270190027-0001 | Components of charging current armature | 1 |
| 10 | 380930025-0001 | Location wire nail | 1 |
| 12 | 160180015-0001 | Impeller | 1 |
| | | | |



Control system

| Pozice | Obj.číslo | Popis | Počet |
|--------|----------------|---------------------------------------|-------|
| 1 | 171680037-0001 | Throttle handle combination | 1 |
| 2 | 380140067-0003 | Hexagon bolt with flange | 2 |
| 3 | 171600080-0001 | Governing spring | 1 |
| 4 | 171610024-0001 | throttle return spring | 1 |
| 5 | 171590038-0001 | Throttle rod | 1 |
| 6 | 171650032-0001 | Choke valve pull rod | 1 |
| 7 | 171620015-0003 | Speed regulating bracket | 1 |
| 8 | 380250002-0001 | Square head set screw with flat point | 1 |
| 9 | 380370066-0001 | Hexagon nut with flange | 1 |
| | | | |
| | | | |
| | | | |
| | | | |
| | | | |

