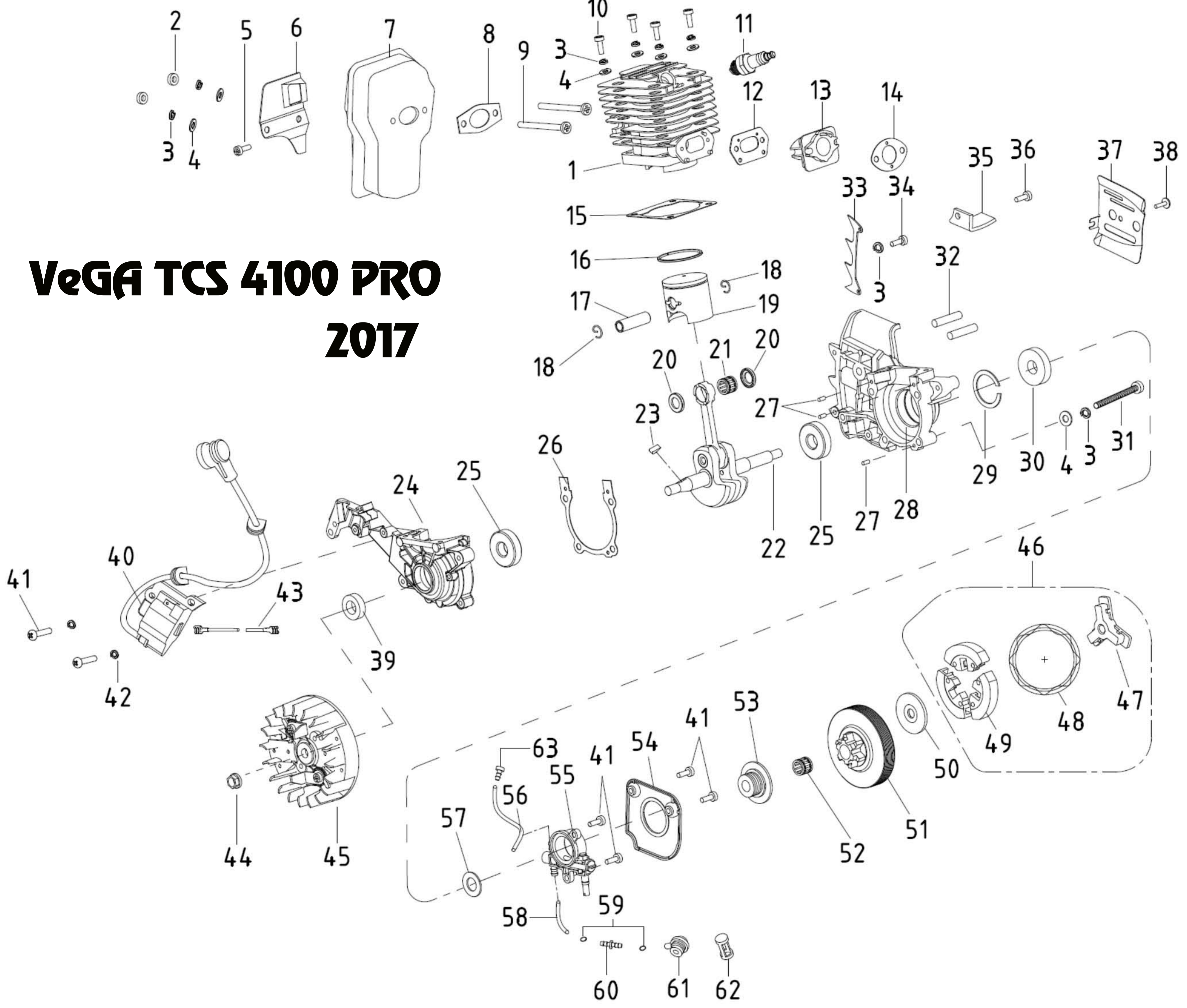


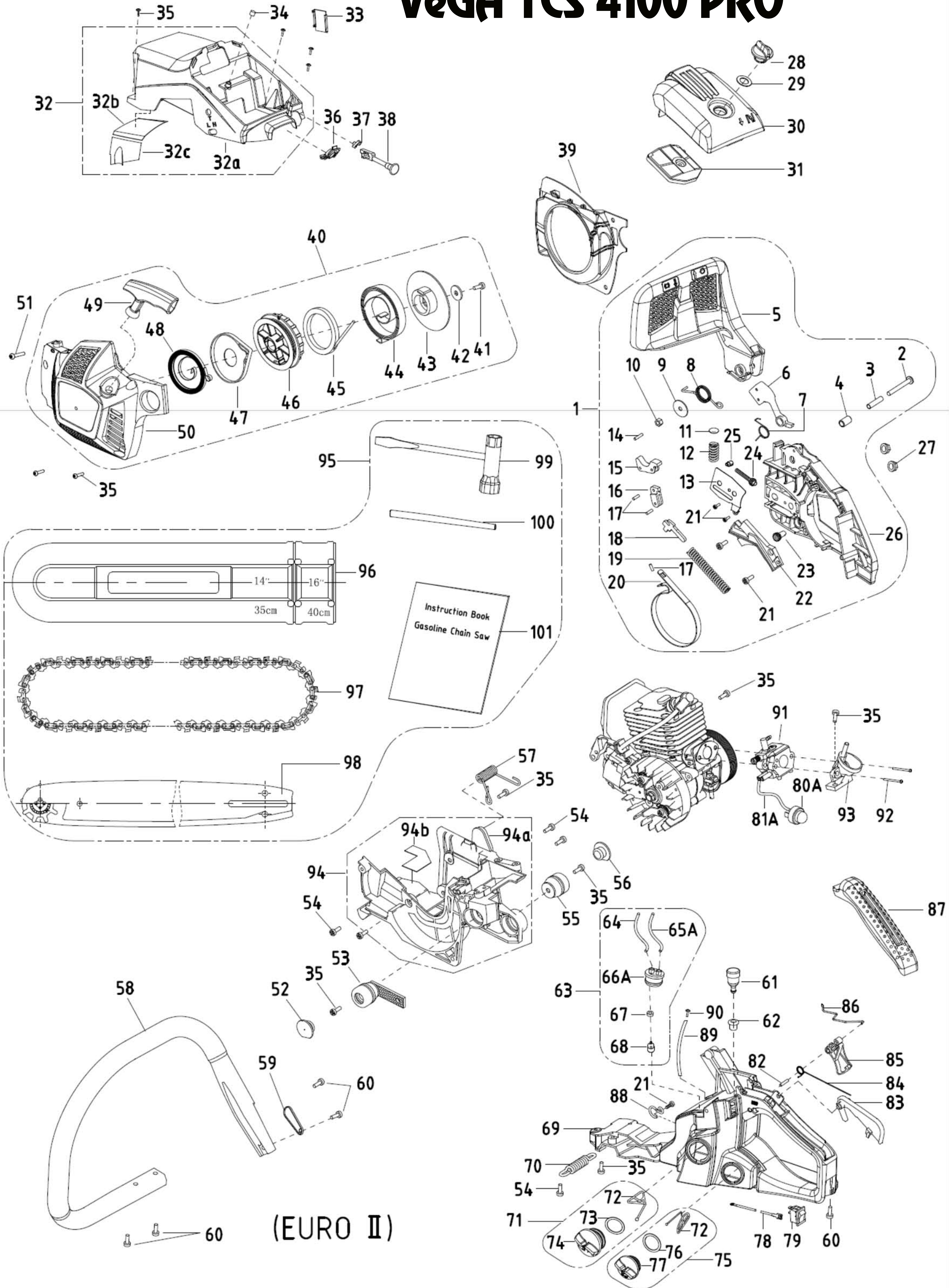
# VeGA TCS 4100 PRO 2017



No.	ID.Zboží	Název
1	YD41.01.00-1	cylinder body
2	GB/T6185.1	nut M5
3	GB/T93	washer 5
4	GB/T97.1	washer 5
5	GB/T2672	screw M5×14
6	YD38-3.01.09.00-1	silencer cover plate
7	YD38-3.01.09.00-00	silencer body
8	YD38-3.01.00-6	silencer sealing gasket
9	YD38-3.01.00-10	muffler connecting screw
10	GB/T6191	screw M5×20
11	YD38-3.01.11.05-00	spark plug NHSP LD L8RTF
12	YD38-3.01.00-7	air intake tube sealing gasket
13	YD38-3.01.00-3	air intake tube
14	YD38-3.01.00-8	carburetor sealing gasket
15	YD38-3.01.00-5	cylinder sealing gasket
16	YD41.01.03.00-2	piston ring
17	YD41.01.03.00-3	piston pin
18	YD38-3.01.03.00-4	piston pin circlip
19	YD41.01.03.04-00	piston
20	YD38-3.01.03.00-5	needle bearing ring
21	YD38-3.01.03.02-00	needle bearing 10×14×11
22	YD38-3.01.03.01-00	crank shaft components
23	GB/T1099	semicircular key 3×3.5×10
24	YD38-3.01.01.00-1	left crank case
25	GB/T276	bearing 6201 grade D 12×32×10
26	YD38-3.01.01.00-3	case body sealing gasket
27	GB/T119.2	pin 3×9
28	YD38-3.01.01.00-2	right crank case
29	GB/T893.1	shield ring 32
30	YD38-3.01.01.01-00	oil seal 12×32×5.5
31	GB/T6191	screw M5X30
32	GB/T900	double-screw bolt AYM8-M8×26
33	YD45.01.00-21	spiked bumper
34	GB/T2672	screw M5×12
35	YD38-3.01.00-15	chain catcher
36	YD38-3.01.00-16	chain catcher screw
37	YD38-3.01.00-4	damper
38	GB/T2672	screw M4×10
39	YD38-3.01.01.02-00	oil seal 12×22×7
40	YD38-3.01.11.01-00	igniter
41	GB/T2672	screw M4×14
42	GB/T93	washer4
43	YD38-3.01.11.02-00	extinction conductor
44	GB/T6177.2	nut M8×1
45	YD38-3.01.10.00-00	flywheel assembly
46	YD38-3.01.13.00-00	clutch assembly
47	YD38-3.01.13.01-1	retainer
48	YD38-3.01.13.01-3	clutch extension spring
49	YD38-3.01.13.01-2	shoe block
50	YD38-3.01.13.00-2	clutch adjusting washer
51	YD38-3.01.13.00-1	clutch shell
52	YD38-3.01.00.01-6	needle bearing 10×13×13
53	YD38-3.01.00-11	worm
54	YD38-3.00.00-12	cover plate

No.	ID.Zboží	Název
55	YD38-3.01.15.00-00	oil pump
56	YD38-3.01.00-13	oil outgoing tube 3×6.5×75
57	YD38-3.01.00-12	worm washer 10×18×1
58	YD38-3.00.00-2	oil ingoing tube3×6.5×68
59	YD38-3.00.00-17	oil tube clip
60	YD38-3.00.00-3	oil tube tie-in
61	YD38-3.03.00-11	nozzle
62	YD38-3.03.00-12	oil filter screen
63	YD38-3.01.00-14	oil spray nozzle

# VeGA TCS 4100 PRO



No.	ID.Zboží	Název
1	TCS3800.04.00-00	Clutch cover assembly
2	YD38-3.04.00-16	Screw M5x40
3	YD38-3.04.00-13	pin gland 5x6.3x30
4	YD38-3.04.00-12	heavy brock gland 6.3x9x15
5	TCS3800.04.00-2	front damper
6	YD38-3.04.02-00	heavy brock
7	YD38-3.04.00-7	heavy brock spring
8	YD38-3.04.00-9	brake torsion rod spring
9	YD38-3.04.00-14	washer 5.2x23x1.2
10	GB/T6185.1	lock- nut M5
11	YD38-3.04.00-6	spring base
12	YD38-3.04.00-5	front guard spring
13	YD38-3.04.00-15	tensioner cover plate
14	GB/T119.2	pin 3x14
15	YD38-3.04.00-4	main level
16	YD38-3.04.00-3	secondary pull-rod
17	GB/T119.2	pin 3x9
18	YD38-3.04.00-11	break control rod
19	YD38-3.04.00-8	brake spring
20	YD38-3.04.00-10	break strap
21	GB/T845	tapping screw ST4.2X9.5
22	YD38-3.04.00-1	break spring cover plate
23	YD45.04.00-26	tension gear
24	YD45.04.00-24	tightener screw
25	YD45.04.00-25	tension block
26	TCS3800.04.01-00	Clutch cover
27	GB/T6177.1	nut M8
28	TCS3800.05.01-00	air filter lock nut
29	YD38-3.05.00-6	lock nut washer 15x26x1
30	TCS3800.05.00-2	air filter cover
31	YD38-5.01.08.00-00	air filter
32	TCS3800.05.00-00	upper cover assembly
32a	TCS3800.05.00-1	upper cover plate
32b	TCS3800.05.00-2	upper heat isolation plate
32c	TCS3800.05.00-3	side heat isolation plate
33	YD38-3.05.00-5	anti-freeze block
34	YD38-3.05.00-4	shock block
35	GB/T845	tapping screw ST4.8x16
36	YD38-3.00.00-7	dust shield
37	YD38-3.00.00-11	throttle lever retaining bracket
38	YD38-5.00.00-10	throttle rod
39	TCS3800.02.00-1	bossing
40	TCS3800.02.00-00	starter assembly
41	GB/T845	tapping screw ST4.8x13
42	GB/T96	washer 5
43	YD38-5.12.00-6	ratchet wheel
44	YD38-5.12.00-5	strip spring
45	YD38-3.02.00-6	start stretching wire3x920
46	YD38-7.02.00-4	start plate
47	YD36.02.01-2	coil-spring gland
48	YD36.02.01-4	start coil-spring
49	YD38-5.02.00-4	start handle
50	TCS3800.02.01-00	starter cover
51	GB/T845	tapping screw ST4.8x19
52	YD38-3.00.00-9	left dust cover
53	YD38-3.06.04-00	cushion socket 1
54	GB/T818	screw M5x14

No.	ID.Zboží	Název
55	YD38-3.06.03-00	cushion socket 2
56	YD38-3.00.00-8	right dust cover
57	YD38-3.00.00-4	front handle spring
58	YD38-3.00.00-1	front handle
59	YD38-3.00.00-13	torsion rod spring cover plate
60	GB/T845	tapping screw ST4.8x25
61	YD38-3.03.06-00	balancer body assembly
62	YD38-3.03.00-3	balancer root
63	YD38-3.03.05-00	fuel filter assembly with tube
64	YD38-3.03.00-1	fuel tube 2.5x5x185
65A	YD38-3.03.00-1A	scavenge tube
66A	YD38-3.03.00-2A	tube root
67	YD38-3.03.00-12	clump weight
68	YD38-3.03.04-00	fuel filter assembly
69	YD38-6.03.01-00	base
70	YD38-3.00.00-5	base spring
71	TCS4600.03.02-00	Fuel Tank-cap Assy
72	YD38-3.03.03-2	anti-drop plate
73	JB/T7757.2	packing washer 24.7x3.55
74	TCS4600.03.02-1	petrol cover
75	TCS4600.03.03-00	Cap Oil Tank
76	JB/T7757.2	packing washer 20x3.1
77	TCS4600.03.03-1	oil cover
78	YD38-3.01.11.03-00	Earth cable
79	YD38-3.01.11.04-00	extinction switch
80A	YD38-3.03.00-4A	Primer pump
81A	YD45-4.03.00-13	Pump tube 2.5x5x170
82	GB/T119.2	pin 5x24
83	YD38-3.03.00-9	trigger control rack
84	YD38-3.03.00-8	trigger torsion rod spring
85	YD38-3.03.00-7	trigger
86	YD38-5.00.00-6	throttle rod
87	TCS3800.03.00-10	handle cover
88	YD38-3.03.00-16	circlip for nozzle
89	YD38-3.00.00-2	vent tube 3.5x6.5x72
90	GB/T845	tapping screw ST4.2x14
91	YD38-3.01.06.00-00	carburetor
92	YD38-3.01.00-17	carburetor screw
93	YD38-3.01.00.02-00	air intake socket
94	YD38-5.06.01-00c	engine base assembly
94a	YD38-5.06.01-00	Case
94b	YD38-3.06.01-2	engine base heat isolation plate
95	YD38-3.08.00-00	Accessory Assy
96	YD38-3.07.00-00	Chain cover
97	YD38-3.07.02-01	Saw Chain
98	YD38-3.07.01-01	Guide Bar
99	YD38-3.08.01-00	Spark Sleeve
100	YD38-3.08.04-00	File
101	YD38-3.08.03-00	Manual