



Nothing but **HEAVY DUTY.**[®]



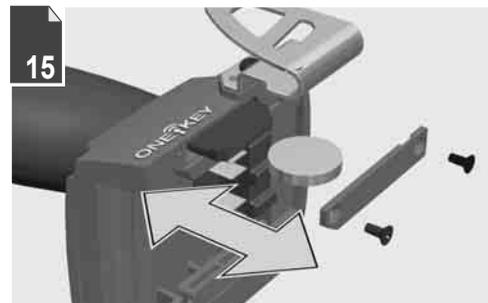
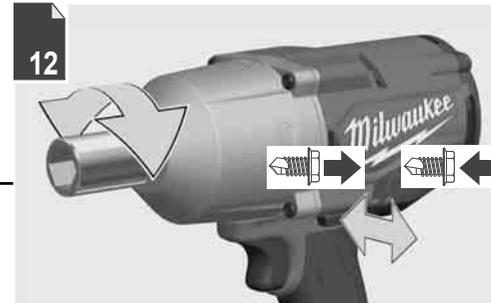
M18 ONEFHIWP12 M18 ONEFHIWF12 M18 ONEFHIWF34

Original instructions
Originalbetriebsanleitung
Notice originale
Istruzioni originali
Manual original
Oorspronkelijke gebruiksaanwijzing
Original brugsanvisning
Original bruksanvisning
Bruksanvisning i original
Alkuperäiset ohjeet
Πρωτότυπο οδηγιών χρήσης

Orijinal işletme talimatı
Původním návodem k používání
Pôvodný návod na použitie
Instrukcją oryginalną
Eredeti használati utasítás
Izvirna navodila
Originalne pogonske upute
Instrukcijām oriģinālvalodā
Originali instrukcija
Algupärane kasutusjuhend
Оригинальное руководство по эксплуатации

Оригинално ръководство за експлоатация
Instrucțiuni de folosire originale
Оригинален прирачник за работа
Оригінал інструкції з експлуатації
Originalno uputstvo za upotrebu
Udhëzime origjinale përdorimit
التعليمات الأصلية

ENGLISH	Picture section with operating description and functional description	Page	4	Text section with Technical Data, important Safety and Working Hints and description of Symbols	Page	16
DEUTSCH	Bildteil mit Anwendungs- und Funktionsbeschreibungen	Seite	4	Textteil mit Technischen Daten, wichtigen Sicherheits- und Arbeitshinweisen und Erklärung der Symbole.	Seite	19
FRANÇAIS	Partie imagée avec description des applications et des fonctions	Page	4	Partie textuelle avec les données techniques, les consignes importantes de sécurité et de travail ainsi que l'explication des pictogrammes.	Page	22
ITALIANO	Sezione illustrata con descrizione dell'applicazione e delle funzioni	Pagina	4	Sezione testo con dati tecnici, importanti informazioni sulla sicurezza e sull'utilizzo, spiegazione dei simboli.	Pagina	25
ESPAÑOL	Sección de ilustraciones con descripción de aplicación y descripción funcional	Página	4	Sección de texto con datos técnicos, indicaciones importantes de seguridad y trabajo y explicación de los símbolos.	Página	28
PORTUGUES	Parte com imagens explicativas contendo descrição operacional e funcional	Página	4	Parte com texto explicativo contendo Especificações técnicas, avisos de segurança e de operação e a descrição dos símbolos.	Página	31
NEDERLANDS	Beeldgedeelte met toepassings- en functiebeschrijvingen	Pagina	4	Tekstgedeelte met technische gegevens, belangrijke veiligheids- en arbeidsinstructies en verklaring van de symbolen.	Pagina	34
DANSK	Billedel med anvendelses- og funktionsbeskrivelser	Side	4	Tekstdel med tekniske data, vigtige sikkerheds- og arbejdsanvisninger og symbolforklaring.	Side	37
NORSK	Billedel med bruks- og funksjonsbeskrivelse	Side	4	Tekstdel med tekniske data, viktige sikkerhets- og arbeidsinstruksjoner og forklaring av symbolene.	Side	40
SVENSKA	Bilddel med användnings- och funktionsbeskrivning	Sidan	4	Textdel med tekniska informationer, viktiga säkerhets- och användningsinstruktioner samt symbolförklaringar.	Sidan	43
SUOMI	Kuvasivut käyttö- ja toimintakuvaus	Sivu	4	Tekstisivut: tekniset tiedot, tärkeät turvallisuus- ja työskentelyohjeet sekä merkkien selitykset.	Sivu	46
ΕΛΛΗΝΙΚΑ	Τμήμα εικόνων με περιγραφές χρήσης και λειτουργίας	Σελίδα	4	Τμήμα κειμένου με τεχνικά χαρακτηριστικά, σημαντικές υποδείξεις ασφαλείας και εργασίας και εξήγηση των συμβόλων.	Σελίδα	49
TÜRKÇE	Resim bölümü Uygulama ve fonksiyon açıklamaları ile birlikte	Sayfa	4	Teknik bilgileri, önemli güvenlik ve çalışma açıklamalarını ve de sembollerin açıklamalarını içeren bölümü.	Sayfa	52
ČEŠTINA	Obrazová část s popisem aplikací a funkcí	Stránka	4	Textová část s technickými daty, důležitými bezpečnostními a pracovními pokyny a s vysvětlivkami symbolů	Stránka	55
SLOVENSKY	Obrazová časť s popisom aplikácií a funkcií	Stránka	4	Textová časť s technickými dátami, dôležitými bezpečnostnými a pracovnými pokynmi a s vysvetlivkami symbolov	Stránka	58
POLSKI	Część rysunkowa z opisami zastosowania i działania	Strona	4	Część opisowa z danymi technicznymi, ważnymi wskazówkami dotyczącymi bezpieczeństwa i pracy oraz objaśnieniami symboli.	Strona	61
MAGYAR	Képes rész alkalmazási- és működési leírásokkal	Oldal	4	Szöveges rész műszaki adatokkal, fontos biztonsági- és munkavégzési útmutatásokkal, valamint a szimbólumok magyarázata.	Oldal	64
SLOVENŠČINA	Del slikez opisom uporabe in funkcij	Stran	4	Del besedila s tehničnimi podatki, pomembnimi varnostnimi opozorili in delovnimi navodili in pojasnili simbolov.	Stran	67
HRVATSKI	Dio sa slikama sa opisima primjene i funkcija	Stranica	4	Dio štiva sa tehničkim podacima, važnim sigurnosnim i radnim uputama i objašnjenjem simbola.	Stranica	70
LATVISKI	Attēla daļa ar lietošanas un funkciju aprakstiem	Lappuse	4	Teksta daļa ar tehniskajiem parametriem, svarīgiem drošības un darbības norādījumiem, simbolu atšifrējumiem.	Lappuse	73
LIETUVIŠKAI	Paveikslėlio dalis su vartojimo instrukcija ir funkcijų aprašymais	Puslapis	4	Teksto dalis su techniniais duomenimis, svarbiomis saugumo ir darbo instrukcijomis bei simbolių paaiškinimais.	Puslapis	76
EESTI	Pildiosa kasutusjuhendi ja funktsioonide kirjeldusega	Lehekülg	4	Tekstiosa tehniliste näitajate, oluliste ohutus- ja tööjuhenditega ning sümbolite kirjeldustega.	Lehekülg	79
РУССКИЙ	Раздел иллюстраций с описанием эксплуатации и функций	Страница	4	Текстовый раздел, включающий технические данные, важные рекомендации по безопасности и эксплуатации, а также описание используемых символов.	Страница	82
БЪЛГАРСКИ	Част със снимки с описания за приложение и функции	Страница	4	Част с текст с технически данни, важни указания за безопасност и работа и разяснение на символите.	Страница	85
ROMÂNĂ	Secvența de imagine cu descrierea utilizării și a funcționării	Pagina	4	Porțiune de text cu date tehnice, indicații importante privind siguranța și modul de lucru și descrierea simbolurilor.	Pagina	88
МАКЕДОНСКИ	Дел со слики со описи за употреба и функционирање	Страница	4	Текстуален дел со Технички карактеристики, важни безбедносни и работни упатства и објаснување на символите.	Страница	91
УКРАЇНСЬКА	Частина з зображеннями з описом робіт та функцій	Сторінка	4	Текстова частина з технічними даними, важливими вказівками з техніки безпеки та експлуатації і поясненням символів.	Сторінка	94
SRPSKI	Ilustracija sa opisima primene i funkcija	Strana	4	Tekstualni odjeljak sa tehničkim podacima, važnim uputstvima za bezbednost i rad i objašnjenje simbola.	Strana	97
SHQIP	Pjesa e figurës me përshkrimet e përdorimit dhe funksioneve	Faqja	4	Seksioni i tekstit me të dhënat teknike, udhëzimet e rëndësishme të sigurisë dhe punës dhe shpjegimi i simboleve.	Faqja	100
عربي	قسم الصور يوجد به الوصف التشغيلي والوظيفي	الصفحة	4	القسم النصي المزود بالبيانات الفنية والنصائح الهامة للسلامة والعمل ووصف الرموز	الصفحة	107





Remove the battery pack before starting any work on the machine.
 Vor allen Arbeiten an der Maschine den Wechselakku herausnehmen
 Avant tous travaux sur la machine retirer l'accu interchangeable.

Prima di iniziare togliere la batteria dalla macchina.

Retire la batería antes de comenzar cualquier trabajo en la máquina.

Antes de efectuar cualquier intervención en la máquina retirar o bloco acumulador.

Voor alle werkzaamheden aan de machine de akku verwijderen.

Ved arbejde inden i maskinen, bør batteriet tages ud.

Ta ut vekslebatteriet før du arbeider på maskinen
 Drag ur batteripaket innan arbete utföres på maskinen.

Tarkista pistotulppa ja verkkojohto mahdollisilta vaurioilta. Viat saa korjata vain alan erikoismies.

Прив από κάθε εργασία στη μηχανή αφαιρείτε την ανταλλακτική μπαταρία.

Aletin kendinde bir çalışma yapmadan önce kartuş aküyü çıkarın.

Před zahájením veškerých prací na vrtacím šroubovákú vyjmout výměnný akumulátor.

Před každou pracou na stroji výměnný akumulátor vytáhnout.

Przed przystąpieniem do jakichkolwiek prac na elektronarzędziu należy wyjąć wkładkę akumulatorową.

Karbantartás, javítás, tisztítás, stb. előtt az akkumulátort ki kell venni a készülékből.

Pred deli na stroju izvlécite izmenljivi akumulator.

Prije svih radova na stroju izvaditi bateriju za zamjenu.

Pirms mašīnai veikt jebkāda veida apkopes darbus, ir jāizņem arī akumulātors.

Prieš atikdami bet kokius darbus įrenginyje, išimkite keičiamą akumuliatorių.

Enne kõiki töid masina kallal võtke vahetatav aku välja.

Выньте аккумулятор из машины перед проведением с ней каких-либо манипуляций.

Преди започване на каквито е да е работи по машината извадете акумулатора.

Scoateți acumulatorul înainte de a începe orice intervenție pe mașină.

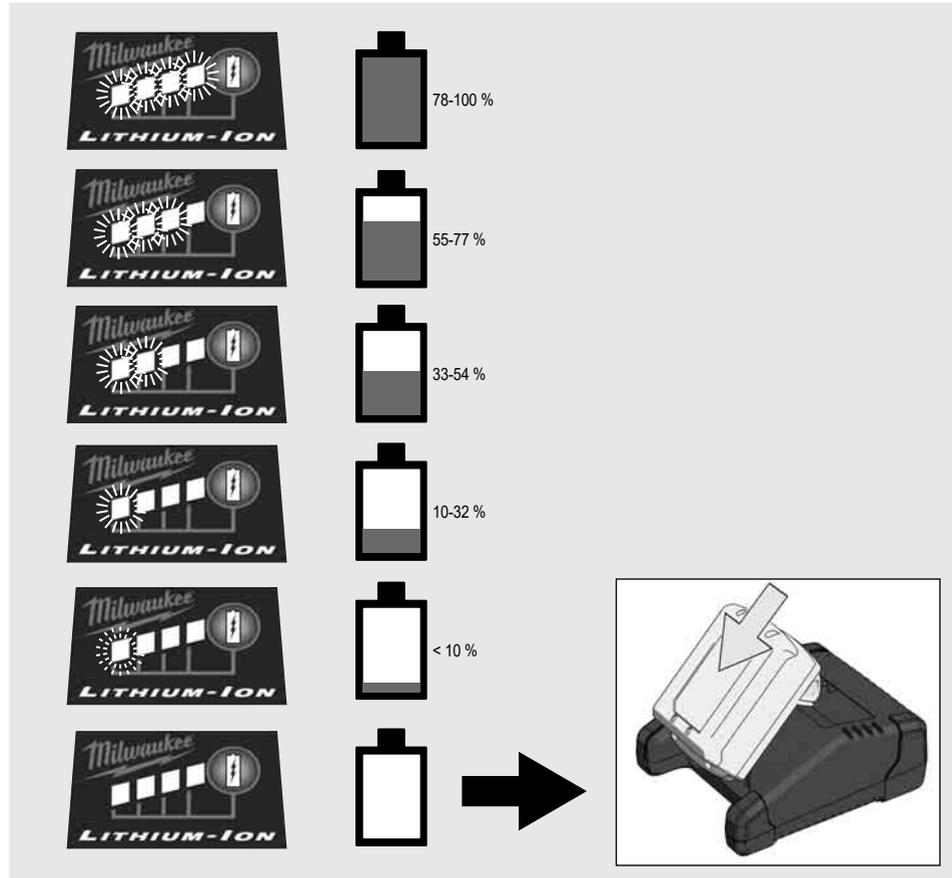
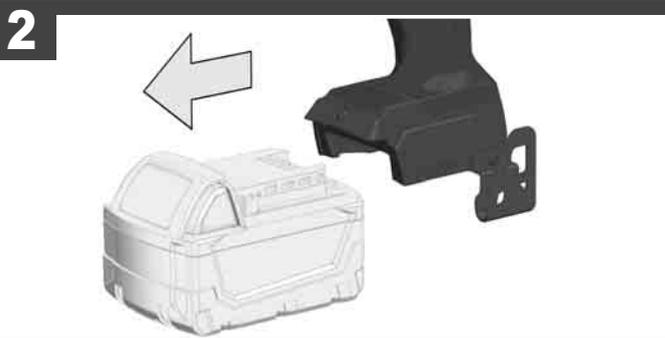
Отстранете ја батеријата пред да започнете да ја користите машината.

Перед будь-якими роботами на машині виїняти змінну акумуляторну батарею.

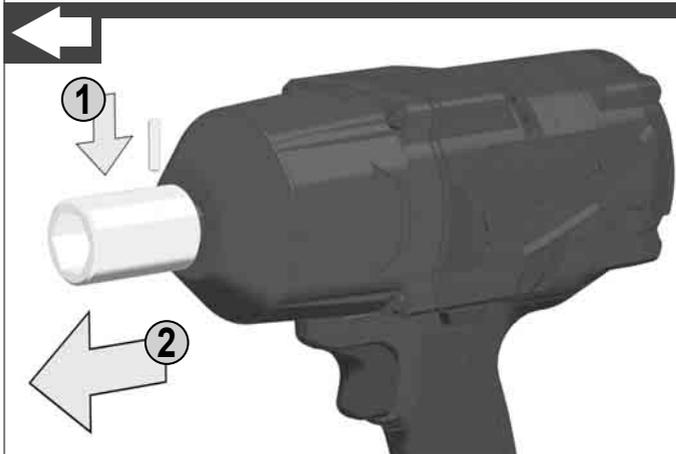
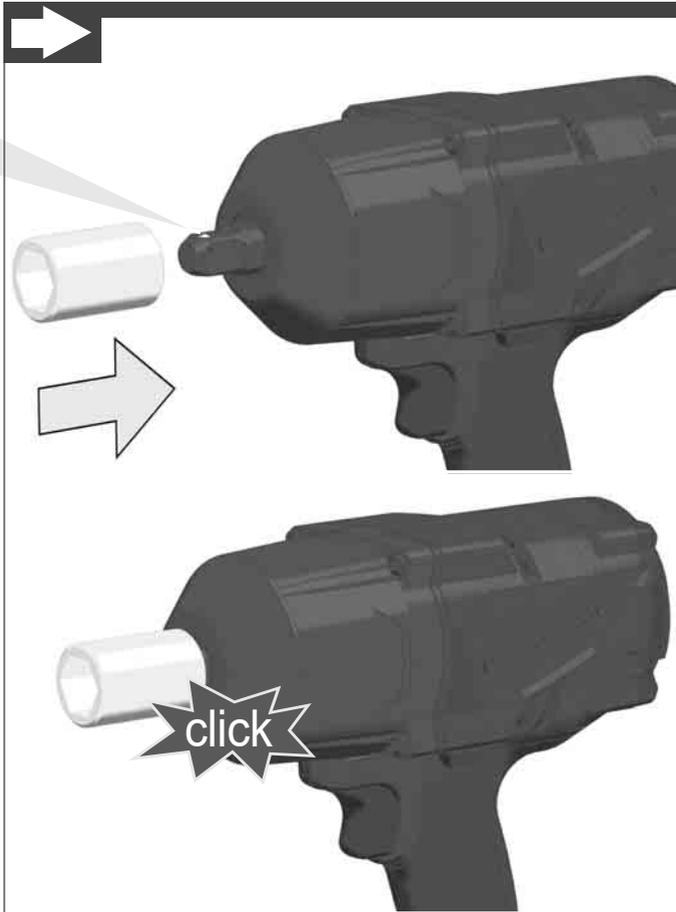
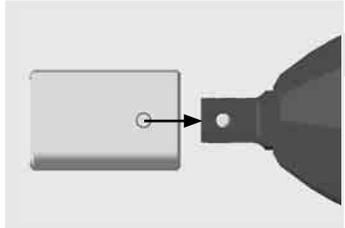
Pre bilo kakvog rada na mašini, uklonite zamenljivu bateriju

Pērpāra se tē filloni ndonjë punë në makineri, hiqni baterinë e këmbëshme.

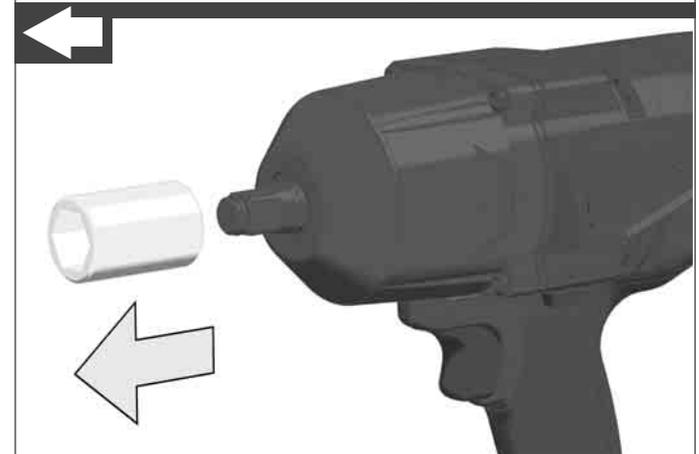
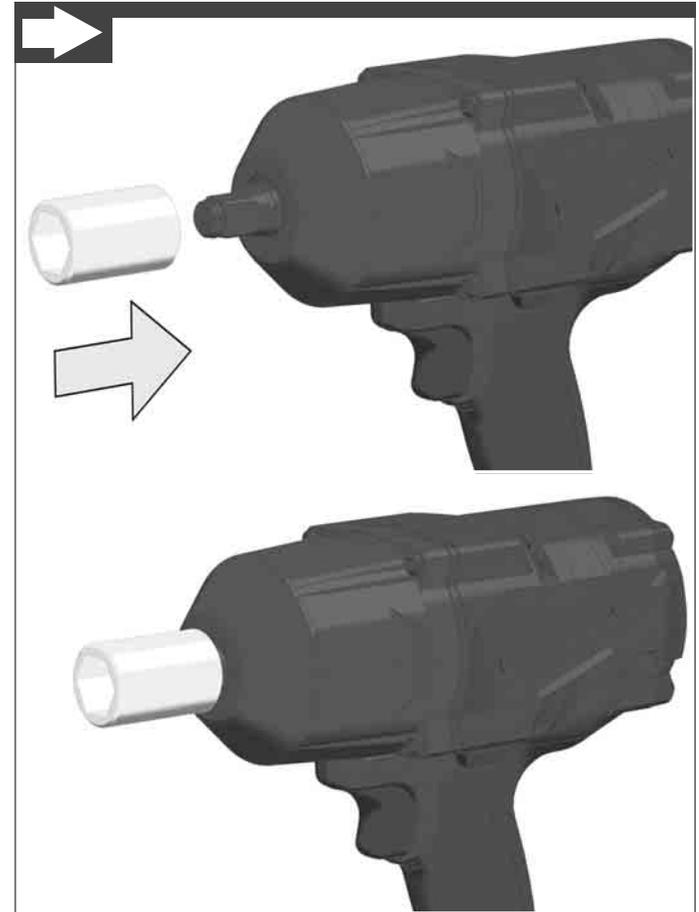
قم بإزالة حزمة البطارية قبل البدء في أي أعمال على الجهاز.



M18 ONEFHIWP12



M18 ONEFHIWF12
M18 ONEFHIWF34

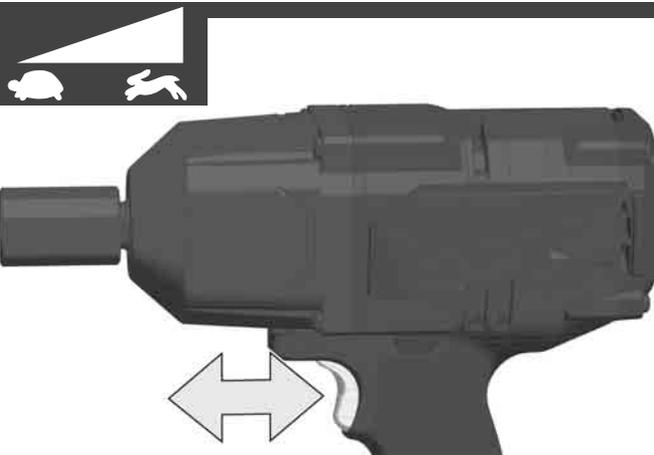
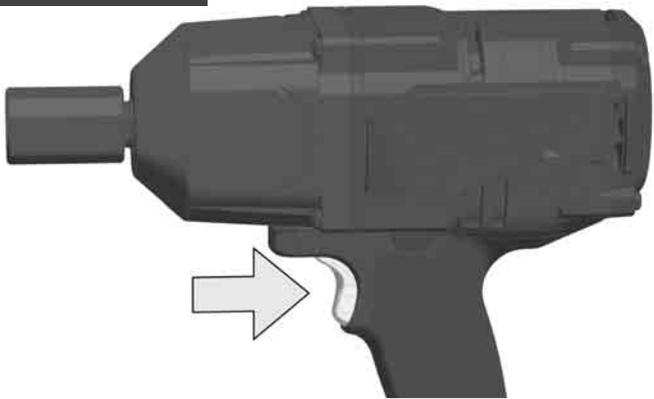




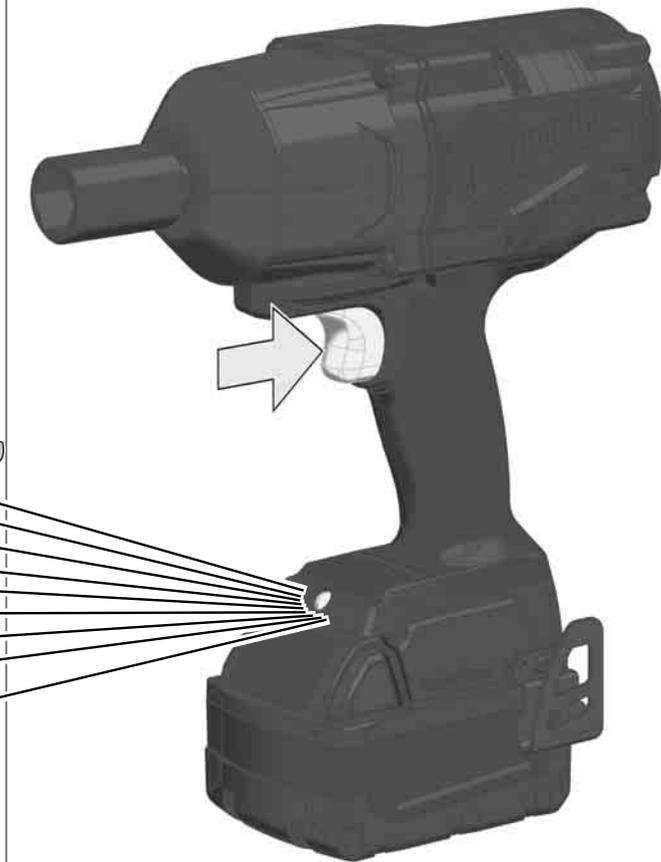
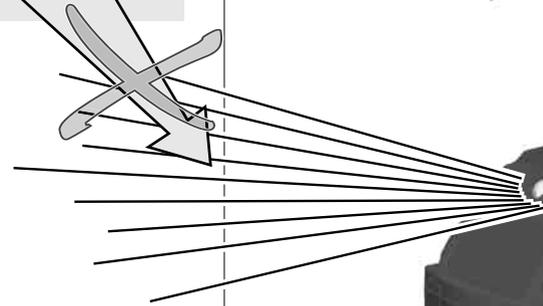
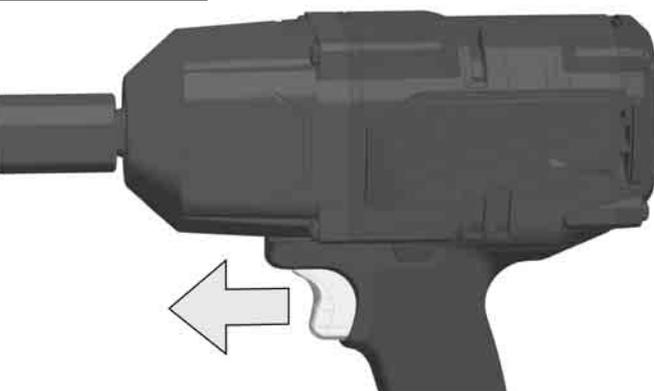
- Handle (insulated gripping surface)
- Handgriff (isolierte Grifffläche)
- Poignée (surface de prise isolée)
- Impugnatura (superficie di presa isolata)
- Empuñadura (superficie de agarre con aislamiento)
- Manípulo (superficie de pega isolada)
- Handgreep (geïsoleerd)
- Håndtag (isolerede gribefflader)
- Håndtak (isolert gripeflate)
- Handtag (isolerad greppyta)
- Kahva (eristetty tarttumapinta)
- Χειρολαβή (μονωμένη επιφάνεια λαβής)
- El kulpu (izolasyonlu tutma yüzeyi)
- Rukojeť (izolovaná uchopovací plocha)
- Rukovät' (izolovaná úchopná plocha)
- Uchwyt (z izolowaną powierzchnią)
- Fogantyú (szigetelt fogófelület)
- Ročaj (izolirana prijemalna površina)
- Rukohvat (izolirana površina za držanje)
- Rokturis (izolēta satveršanas virsma)
- Rankena (izoliuotas rankenos paviršius)
- Käeripide (isoleeritud pideme piirkond)
- Рукоятка (изолированная поверхность ручки)
- Ръкохватка (изолирана повърхност за хващане)
- Måner (suprafață de prindere izolată)
- Дршка (изолирана површина)
- Ручка (ізолювана поверхня ручки)
- Ručka (izolovana hvatna površina)
- Dorezë (sipërfaqe e izoluar e kapjes)

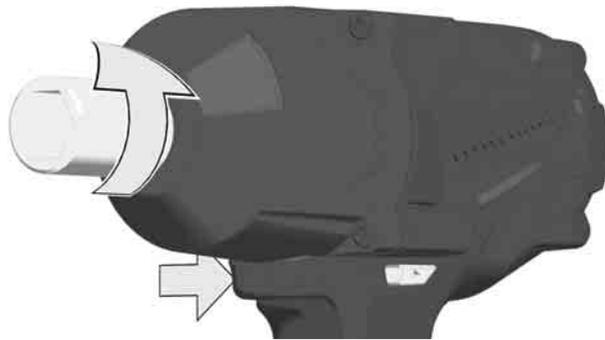
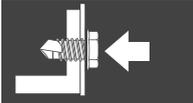
المقبض (مساحة المقبض معزولة)

START

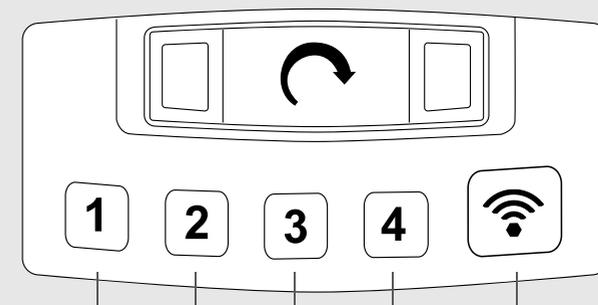
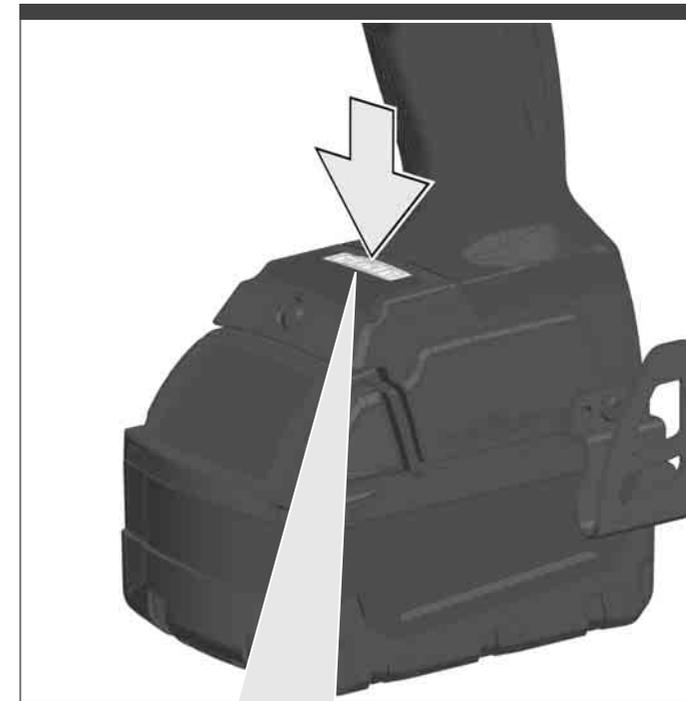
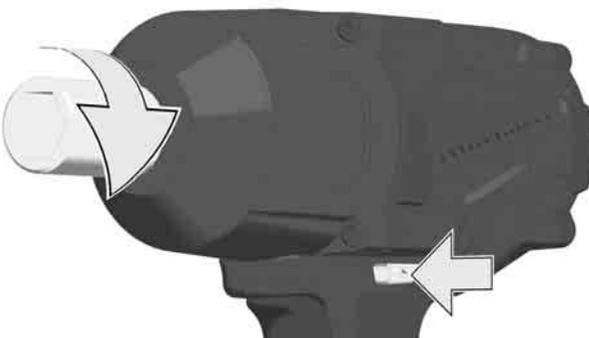
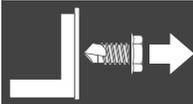
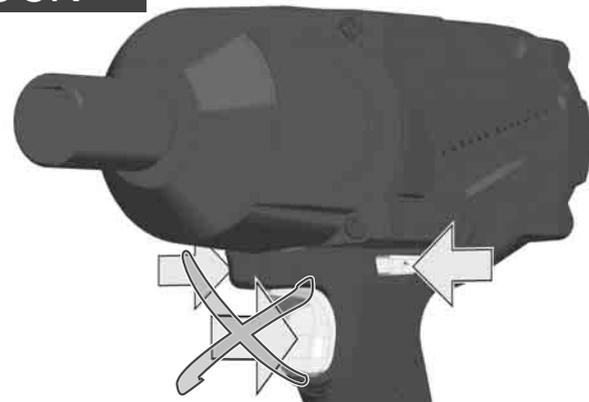


STOP



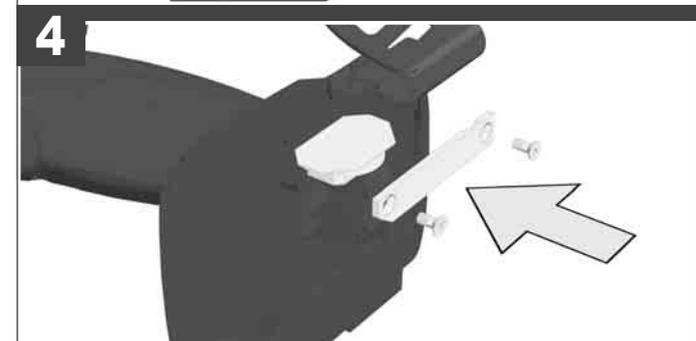
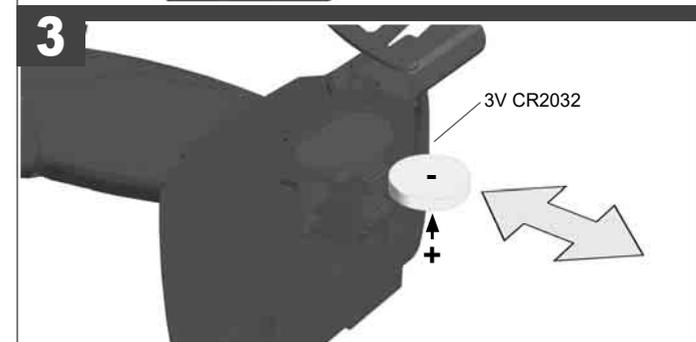
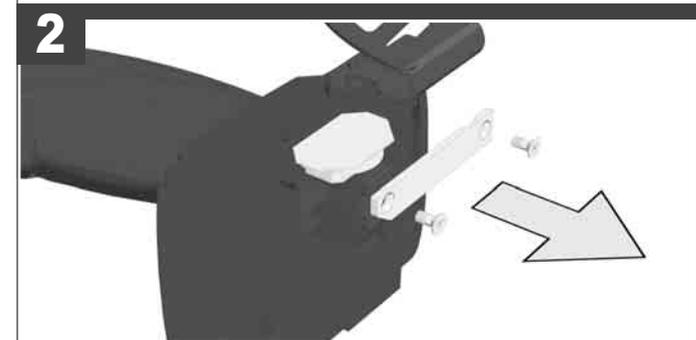
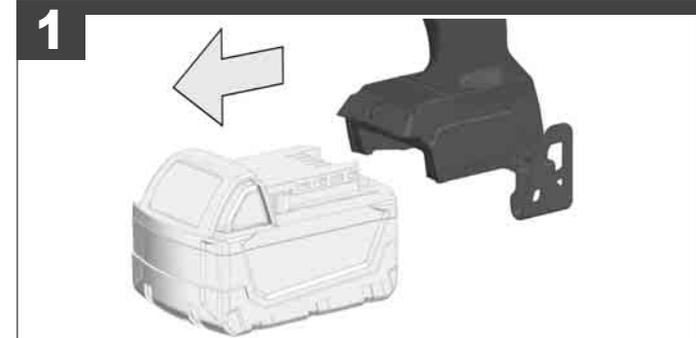
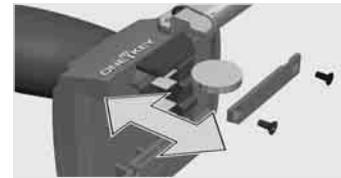
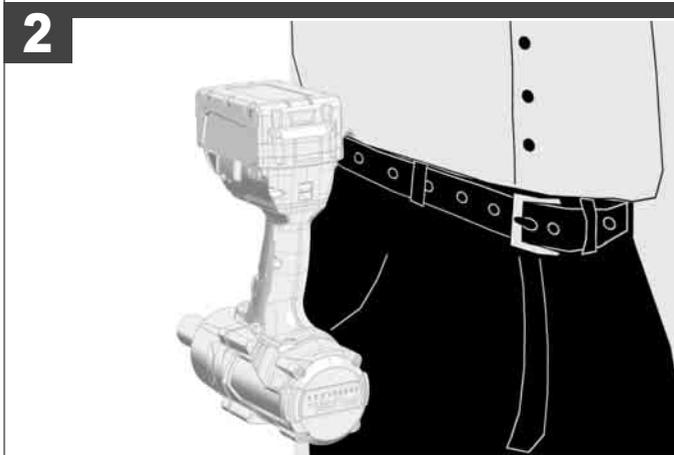
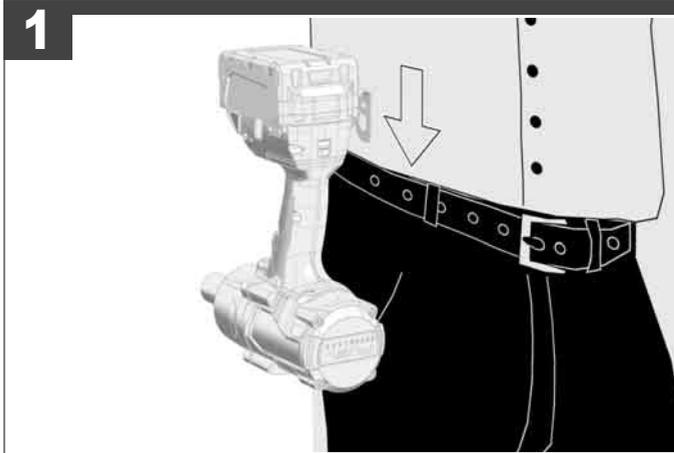
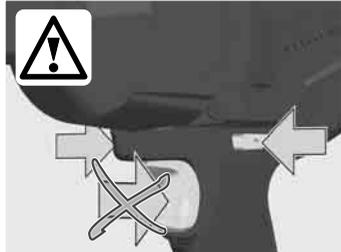
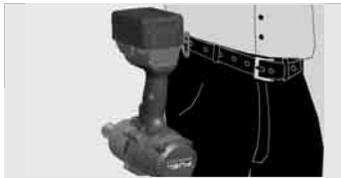


LOCK



M18 ONEFHIWP12	min ⁻¹	0-950	0-1500	0-1800	0-1800
		0-1150	0-2100	0-2400	0-2400
M18 ONEFHIWF12	min ⁻¹	0-550	0-1400	0-1750	0-1750
		0-950	0-1750	0-2100	0-2100
M18 ONEFHIWF34	min ⁻¹	0-800	0-1300	0-1800	0-1800
		0-850	0-1850	0-2400	0-2400





TECHNICAL DATA	CORDLESS IMPACT SCREWDRIVER	M18 ONEFH1WP12	M18 ONEFH1WF12	M18 ONEFH1WF34
Production code4671 85 04.....4671 95 04.....4672 05 04.....000001-999999.....
 No-load speed0-950 min ⁻¹0-550 min ⁻¹0-800 min ⁻¹0-950 min ⁻¹
 Impact range0-1150 min ⁻¹0-950 min ⁻¹0-850 min ⁻¹0-1150 min ⁻¹
 No-load speed0-1500 min ⁻¹0-1400 min ⁻¹0-1300 min ⁻¹0-1500 min ⁻¹
 Impact range0-2100 min ⁻¹0-1750 min ⁻¹0-1850 min ⁻¹0-2100 min ⁻¹
 No-load speed0-1800 min ⁻¹0-1750 min ⁻¹0-1800 min ⁻¹0-1800 min ⁻¹
 Impact range0-2400 min ⁻¹0-2100 min ⁻¹0-2400 min ⁻¹0-2400 min ⁻¹
 No-load speed0-1800 min ⁻¹0-1750 min ⁻¹0-1800 min ⁻¹0-1800 min ⁻¹
 Impact range0-2400 min ⁻¹0-2100 min ⁻¹0-2400 min ⁻¹0-2400 min ⁻¹
Torque max1017 Nm.....1356 Nm.....1627 Nm.....1017 Nm.....
Max. diameter bolt / nutM 24.....M33.....M33.....M 24.....
Tool reception1/2" (13 mm).....1/2" (13 mm).....3/4" (19 mm).....1/2" (13 mm).....
Battery voltage18 V.....18 V.....18 V.....18 V.....
Weight according EPTA-Procedure 01/2014 (4.0 Ah / 5.0 Ah)3,2 kg.....3,3 kg.....3,5 kg.....3,2 kg.....
Weight according EPTA-Procedure 01/2014 (9.0 Ah)3,6 kg.....3,7 kg.....3,9 kg.....3,6 kg.....
Frequency band(s) of Bluetooth2402-2480 MHz.....2402-2480 MHz.....2402-2480 MHz.....2402-2480 MHz.....
Radio-frequency power1,8 dBm.....1,8 dBm.....1,8 dBm.....1,8 dBm.....
Bluetooth version4.0 BT signal mode.....4.0 BT signal mode.....4.0 BT signal mode.....4.0 BT signal mode.....
Recommended ambient operating temperature-18 +50 °C.....-18 +50 °C.....-18 +50 °C.....-18 +50 °C.....
Recommended battery TypeM18B2, M18B4, M18B5, M18B6, M18B9.....M18B2, M18B4, M18B5, M18B6, M18B9.....M18B2, M18B4, M18B5, M18B6, M18B9.....M18B2, M18B4, M18B5, M18B6, M18B9.....
Recommended charger TypeM12-18C, M12-18AC, M12-18FC, M1418C6.....M12-18C, M12-18AC, M12-18FC, M1418C6.....M12-18C, M12-18AC, M12-18FC, M1418C6.....M12-18C, M12-18AC, M12-18FC, M1418C6.....

Noise/vibration information

Measured values determined according to EN 62841.

Typically, the A-weighted noise levels of the tool are:

Sound pressure level (Uncertainty K=3dB(A)) 94,7 dB (A) 94,9 dB (A) 98,5 dB (A)

Sound power level (Uncertainty K=3dB(A)) 105,7 dB (A) 105,9 dB (A) 109,5 dB (A)

Wear ear protectors!

Total vibration values (vector sum in the three axes) determined according to EN 62841.

Vibration emission value a_w:

Impact tightening of fasteners of the maximum capacity of the tool 18,4 m/s² 16,7 m/s² 15,9 m/s²

Uncertainty K= 1,5 m/s² 1,5 m/s² 1,5 m/s²

WARNING

The vibration and noise emission level given in this information sheet has been measured in accordance with a standardized test given in EN 62841 and may be used to compare one tool with another. It may be used for a preliminary assessment of exposure.

The declared vibration and noise emission level represents the main applications of the tool. However if the tool is used for different applications, with different accessories or poorly maintained, the vibration and noise emission may differ. This may significantly increase the exposure level over the total working period.

An estimation of the level of exposure to vibration and noise should also take into account the times when the tool is switched off or when it is running but not actually doing the job. This may significantly reduce the exposure level over the total working period.

Identify additional safety measures to protect the operator from the effects of vibration and/or noise such as: maintain the tool and the accessories, keep the hands warm, organization of work patterns.

WARNING Read all safety warnings, instructions, illustrations and specifications provided with this power tool. Failure to follow all instructions listed below may result in electric shock, fire and/or serious injury.

Save all warnings and instructions for future reference.

IMPACT DRIVER SAFETY WARNINGS

Hold the power tool by insulated gripping surfaces, when performing an operation where the fastener may contact hidden wiring. Fasteners contacting a „live“ wire may make exposed metal parts of the power tool „live“ and could give the operator an electric shock.

Wear ear protectors. Exposure to noise can cause hearing loss.

ADDITIONAL SAFETY AND WORKING INSTRUCTIONS

Use personal protective equipment. Always wear eye protection. Protective equipment such as a dust mask, non-skid safety shoes, hard hat or hearing protection used for appropriate conditions will reduce personal injuries.

The dust produced when using this tool may be harmful to health. Do not inhale the dust. Wear a suitable dust protection mask.

Do not machine any materials that present a danger to health (e.g. asbestos).

Switch the device off immediately if the insertion tool stalls! Do not switch the device on again while the insertion tool is stalled, as doing so could trigger a sudden recoil with a high reactive force. Determine why the insertion tool stalled and rectify this, paying heed to the safety instructions.

The possible causes may be:

- it is tilted in the workpiece to be machined
- it has pierced through the material to be machined
- the power tool is overloaded

Do not reach into the machine while it is running.

The insertion tool is sharp-edged and can become hot during use.

WARNING! Danger of cuts and burns

- when handling the insertion tools

- when setting the device down.

Wear protective gloves when handling insertion tools.

Chips and splinters must not be removed while the machine is running.

When working in walls ceiling, or floor, take care to avoid electric cables and gas or waterpipes.

Clamp your workpiece with a clamping device. Unclamped workpieces can cause severe injury and damage.

Remove the battery pack before starting any work on the machine.

Do not dispose of used battery packs in the household refuse or by burning them. Milwaukee Distributors offer to retrieve old batteries to protect our environment.

Do not store the battery pack together with metal objects (short circuit risk).

Use only System M18 chargers for charging System M18 battery packs. Do not use battery packs from other systems.

Never break open battery packs and chargers and store only in dry rooms. Keep dry at all times.

Battery acid may leak from damaged batteries under extreme load or extreme temperatures. In case of contact with battery acid wash it off immediately with soap and water. In case of eye contact rinse thoroughly for at least 10 minutes and immediately seek medical attention.

WARNING This device contains a lithium button/coin cell battery. A new or used battery can cause severe internal burns and lead to death in as little as 2 hours if swallowed or enters the body. Always secure the battery cover. If it does not close securely, stop using the device, remove the batteries, and keep it away from children. If you think batteries may have been swallowed or entered the body, seek immediate medical attention.

Warning! To reduce the risk of fire, personal injury, and product damage due to a short circuit, never immerse your tool, battery pack or charger in fluid or allow a fluid to flow inside them. Corrosive or conductive fluids, such as seawater, certain industrial chemicals, and bleach or bleach containing products, etc., can cause a short circuit.

SPECIFIED CONDITIONS OF USE

The cordless impact wrench can be used to tighten and loosen nuts and bolts wherever no mains connection is available.

Do not use this product in any other way as stated for normal use.

EC-DECLARATION OF CONFORMITY

We declare as the manufacturer under our sole responsibility that the product described under "Technical Data" fulfills all the relevant regulations and the directives 2011/65/EU (RoHS), 2014/53/EU, 2006/42/EC, and the following harmonized standards have been used:

EN 62841-1:2015
EN 62841-2-2:2014
EN IEC 55014-1:2021
EN IEC 55014-2:2021
EN 62479:2010
EN 301 489-1 V2.2.3
EN 301 489-17 V3.1.1
EN 300 328V2.2.2
EN IEC 63000:2018

Winnenden, 2022-11-01



Alexander Krug
Managing Director



Authorized to compile the technical file.

Techtronic Industries GmbH
Max-Eyth-Straße 10
71364 Winnenden
Germany

GB-DECLARATION OF CONFORMITY

We declare as the manufacturer under our sole responsibility that the product described under "Technical Data" fulfills all the relevant provisions of the following Regulations S.I. 2008/1597 (as amended), S.I. 2017/1206 (as amended), S.I. 2012/3032 (as amended) and that the following designated standards have been used:

BS EN 62841-1:2015
BS EN 62841-2-2:2014
BS EN IEC 55014-1:2021
BS EN IEC 55014-2:2021
BS EN 62479:2010

EN 301 489-1 V2.2.3
EN 301 489-17 V3.1.1
EN 300 328V2.2.2
BS EN IEC 63000:2018

Winnenden, 2022-11-01



Alexander Krug
Managing Director

Authorized to compile the technical file.

Techtronic Industries GmbH
Max-Eyth-Straße 10
71364 Winnenden
Germany

OPERATION

Note: It is recommended after fastening to always check the torque with a torque wrench.

The fastening torque is affected by a wide variety of factors including the following.

- State of battery charge – When the battery is discharged voltage will drop and the fastening torque will be reduced.
- Operation at speeds – Operating the tool at low speeds will cause a reduction in fastening torques.
- Fastening position – Holding the tool or the driving fastener in various angles will affect the torque.
- Drive accessory/socket – Failure to use the correct size accessory or socket, or a non-impact rated accessory may cause a reduction in the fastening torque.
- Use of accessories and extensions – Depending on the accessory or extension fitment can reduce the fastening force of the impact wrench.
- Bolt/Nut – Fastening torques may differ according to the diameter of the nut or bolt, the class of nut/bolt and the length of nut/bolt.
- Condition of the fastener – Contaminated, corroded, dry or lubricated fasteners may vary the fastening torques.
- Condition and base material – The base material of the fastener and any component in between the surfaces may effect the fastening torque (dry or lubricated base, soft or hard base, disc, seal or washer between fastener and base material).

IMPACTING TECHNIQUES

The longer a bolt, screw, or nut is impacted, the tighter it will become.

To help prevent damaging the fasteners or workpieces, avoid excessive impacting.

Be particularly careful when impacting smaller fasteners because they require less impacting to reach optimum torque.

Practice with various fasteners, noting the length of time required to reach the desired torque.

Check the tightness with a hand-torque wrench.

If the fasteners are too tight, reduce the impacting time.

If they are not tight enough, increase the impacting time.

Oil, dirt, rust or other matter on the threads or under the head of the fastener affects the degree of tightness.

The torque required to loosen a fastener averages 75% to 80% of the tightening torque, depending on the condition of the contacting surfaces.

On light gasket jobs, run each fastener down to a relatively light torque and use a hand torque wrench for final tightening.

SELECTING MODE

Allow the tool to come to a complete stop before changing modes. Press the selector button  to cycle between the settings. Select wireless  to change the default settings via the ONE-KEY App on your smart device.

ONE-KEY™

To learn more about the ONE-KEY functionality for this tool, please reference the Quick Start guide included with this product or go to www.milwaukeeool.com/one-key. To download the ONE-KEY app, visit the App Store or Google Play from your smart device.

When the product experiences ESD, the speed LED shuts down and the product cannot adjust speed. It needs the battery and coin cell removed and reinserted to recover (see page 6 & 15).

Also, when the product experiences ESD, the Bluetooth communication will be disconnected. It needs to be reset manually to recover.

ONE-KEY™ Indicator

Solid Blue	Wireless mode is active and ready to be configured via the ONE-KEY™ app.
Blinking Blue	Tool is actively communicating with the ONE-KEY™ app.
Blinking Red	Tool is in security lockout and can be unlocked by the owner via the ONE-KEY™ app.

BATTERIES

Battery packs which have not been used for some time should be recharged before use.

Temperatures in excess of 50°C (122°F) reduce the performance of the battery pack. Avoid extended exposure to heat or sunshine (risk of overheating).

The contacts of chargers and battery packs must be kept clean.

For an optimum life-time, after use, the battery packs have to be fully charged.

To obtain the longest possible battery life remove the battery pack from the charger once it is fully charged.

For battery pack storage longer than 30 days:
Store the battery pack where the temperature is below 27°C and away from moisture
Store the battery packs in a 30% - 50% charged condition
Every six months of storage, charge the pack as normal.

BATTERY PACK PROTECTION

In extremely high torque, binding, stalling and short circuit situations that cause high current draw, the tool will vibrate for about 2 seconds and then the tool will turn OFF.

To reset, release the trigger.

Under extreme circumstances, the internal temperature of the battery could become too high. If this happens, the battery will shut down.

Place the battery on the charger to charge and reset it.

TRANSPORTING LITHIUM BATTERIES

Lithium-ion batteries are subject to the Dangerous Goods Legislation requirements.

Transportation of those batteries has to be done in accordance with local, national and international provisions and regulations.

- The user can transport the batteries by road without further requirements.
- Commercial transport of Lithium-Ion batteries by third parties is subject to Dangerous Goods regulations. Transport preparation and transport are exclusively to be carried out by appropriately trained persons and the process has to be accompanied by corresponding experts.

When transporting batteries:

- Ensure that battery contact terminals are protected and insulated to prevent short circuit.
- Ensure that battery pack is secured against movement within packaging.
- Do not transport batteries that are cracked or leak.

Check with forwarding company for further advice

MAINTENANCE

Refer to the ONE-KEY App for information regarding necessary servicing.

Use only Milwaukee accessories and spare parts. Should components need to be replaced which have not been described, please contact one of our Milwaukee service agents (see our list of guarantee/service addresses).

If needed, an exploded view of the tool can be ordered. Please state the machine type printed as well as the six-digit No. on the label and order the drawing at your local service agents or directly at: Techtronic Industries GmbH, Max-Eyth-Straße 10, 71364 Winnenden, Germany.

SYMBOLS

	CAUTION! WARNING! DANGER!
	Remove the battery pack before starting any work on the machine.
	Please read the instructions carefully before starting the machine.
	Wear gloves!
	Do not swallow the coin cell battery!
	Do not dispose of waste batteries, waste electrical and electronic equipment as unsorted municipal waste. Waste batteries and waste electrical and electronic equipment must be collected separately. Waste batteries, waste accumulators and light sources have to be removed from equipment. Check with your local authority or retailer for recycling advice and collection point. According to local regulations retailers may have an obligation to take back waste batteries and Waste electrical and electronic equipment free of charge. Your contribution to re-use and recycling of waste batteries and waste electrical and electronic equipment helps to reduce the demand of raw materials. Waste batteries, in particular containing lithium and waste Electrical and electronic equipment contain valuable, recyclable materials, which can adversely impact the environment and the human health, if not disposed of in an environmentally compatible manner. Delete personal data from waste equipment, if any.
	No-load speed
	Volts
	Direct current
	European Conformity Mark
	British Conformity Mark
	Ukraine Conformity Mark
	EurAsian Conformity Mark

TECHNISCHE DATEN	AKKU-SCHLAGSCHRAUBER	M18 ONEFHWP12	M18 ONEFHWF12	M18 ONEFHWF34
Produktionsnummer.....	4671 85 04... ...000001-999999	4671 95 04... ...000001-999999	4672 05 04... ...000001-999999	
Leerlaufdrehzahl.....	0-950 min ⁻¹	0-550 min ⁻¹	0-800 min ⁻¹	
Schlagzahl.....	0-1150 min ⁻¹	0-950 min ⁻¹	0-850 min ⁻¹	
Leerlaufgeschwindigkeit.....	0-1500 min ⁻¹	0-1400 min ⁻¹	0-1300 min ⁻¹	
Schlagzahl.....	0-2100 min ⁻¹	0-1750 min ⁻¹	0-1850 min ⁻¹	
Leerlaufdrehzahl.....	0-1800 min ⁻¹	0-1750 min ⁻¹	0-1800 min ⁻¹	
Schlagzahl.....	0-2400 min ⁻¹	0-2100 min ⁻¹	0-2400 min ⁻¹	
Leerlaufdrehzahl.....	0-1800 min ⁻¹	0-1750 min ⁻¹	0-1800 min ⁻¹	
Schlagzahl.....	0-2400 min ⁻¹	0-2100 min ⁻¹	0-2400 min ⁻¹	
Drehmoment max.....	1017 Nm	1356 Nm	1627 Nm	
Maximale Schraubengröße / Muttergröße.....	M 24	M33	M33	
Werkzeugaufnahme.....	1/2" (13 mm)	1/2" (13 mm)	3/4" (19 mm)	
Spannung Wechselakku.....	18 V	18 V	18 V	
Gewicht nach EPTA-Prozedur 01/2014 (4,0 Ah / 5,0 Ah).....	3,2 kg	3,3 kg	3,5 kg	
Gewicht nach EPTA-Prozedur 01/2014 (9,0 Ah).....	3,6 kg	3,7 kg	3,9 kg	
Bluetooth-Frequenzband (Frequenzbänder).....	2402-2480 MHz	2402-2480 MHz	2402-2480 MHz	
Hochfrequenzleistung.....	1,8 dBm	1,8 dBm	1,8 dBm	
Bluetooth-Version.....	4.0 BT signal mode	4.0 BT signal mode	4.0 BT signal mode	
Empfohlene Umgebungstemperatur beim Arbeiten.....	-18 ... +50 °C	-18 ... +50 °C	-18 ... +50 °C	
Empfohlene Akkutypen.....	M18B2, M18B4, M18B5, M18B6, M18B9			
Empfohlene Ladegeräte.....	M12-18C, M12-18AC, M12-18FC, M1418C6			

Geräusch/Vibrationsinformation

Messwerte ermittelt entsprechend EN 62841.

Der A-bewertete Geräuschpegel des Gerätes beträgt typischerweise:

Schalldruckpegel (Unsicherheit K=3dB(A)).....	94,7 dB (A)	94,9 dB (A)	98,5 dB (A)
Schalleistungspegel (Unsicherheit K=3dB(A)).....	105,7 dB (A)	105,9 dB (A)	109,5 dB (A)

Gehörschutz tragen!

Schwingungsgesamtwerte (Vektorsumme dreier Richtungen) ermittelt entsprechend EN 62841.

Schwingungsemissionswert a_n

Anziehen von Schrauben und Muttern maximaler Größe.....	18,4 m/s ²	16,7 m/s ²	15,9 m/s ²
Unsicherheit K=.....	1,5 m/s ²	1,5 m/s ²	1,5 m/s ²

WARNUNG!

Die angegebenen Schwingungsgesamtwerte und Geräuschemissionswerte wurden nach einem genormten Messverfahren gemäß EN 62841 gemessen und können für den Vergleich von Elektrowerkzeugen miteinander verwendet werden. Es kann für eine vorläufige Einschätzung der Belastung verwendet werden.

Der angegebene Schwingungs- und Geräuschemissionspegel repräsentiert die hauptsächlichsten Anwendungen des Elektrowerkzeugs. Wenn allerdings das Elektrowerkzeug für andere Anwendungen, mit abweichenden Einsatzwerkzeugen oder ungenügender Wartung eingesetzt wird, können sich die Schwingungs- und Geräuschemissionen unterscheiden. Dies kann deren Wirkung über den gesamten Arbeitszeitraum deutlich erhöhen.

Bei der Abschätzung der Belastung durch Schwingungen und Lärm sollten auch die Zeiten berücksichtigt werden, in denen das Elektrowerkzeug ausgeschaltet ist oder zwar läuft, aber keine tatsächliche Arbeit verrichtet wird. Dies kann deren Wirkung über den gesamten Arbeitszeitraum deutlich reduzieren.

Legen Sie zusätzliche Sicherheitsmaßnahmen zum Schutz des Bedieners vor den Auswirkungen von Schwingungen- und / oder Lärm fest, wie z. B.: Wartung des Werkzeugs und des Zubehörs, Warmhalten der Hände, Organisation der Arbeitsabläufe.

! WARNUNG! Lesen Sie alle Sicherheitshinweise, Anweisungen, Darstellungen und Spezifikationen für dieses Elektrowerkzeug. Versäumnisse bei der Einhaltung der nachstehenden Anweisungen können elektrischen Schlag, Brand und/oder schwere Verletzungen verursachen. **Bewahren Sie alle Sicherheitshinweise und Anweisungen für die Zukunft auf.**

! SICHERHEITSHINWEISE FÜR SCHLAGSCHRAUBER

Tragen Sie Gehörschutz. Die Einwirkung von Lärm kann Gehörverlust bewirken.

Halten Sie das Gerät an den isolierten Griffflächen, wenn Sie Arbeiten ausführen, bei denen die Schraube verborgene Stromleitungen treffen kann. Der Kontakt der Schraube mit einer spannungsführenden Leitung kann metallene Geräteteile unter Spannung setzen und zu einem elektrischen Schlag führen.

! WEITERE SICHERHEITS- UND ARBEITSHINWEISE

Tragen Sie persönliche Schutzausrüstung. Tragen Sie stets eine Schutzbrille. Das Tragen der jeweils passenden Schutzausrüstung, wie Staubschutzmaske, rutschfestes Schuhwerk, Schutzhelm oder Gehörschutz, verringert das Verletzungsrisiko.

Beim Arbeiten entstehender Staub ist oft gesundheitsschädlich und sollte nicht in den Körper gelangen. Geeignete Staubschutzmaske tragen.

Es dürfen keine Materialien bearbeitet werden, von denen eine Gesundheitsgefährdung ausgeht (z.B. Asbest).

Beim Blockieren des Einsatzwerkzeuges bitte das Gerät sofort ausschalten! Schalten Sie das Gerät nicht wieder ein, solange das Einsatzwerkzeug blockiert ist; hierbei könnte ein Rückschlag mit hohem Reaktionsmoment entstehen. Ermitteln und beheben Sie die Ursache für die Blockierung des Einsatzwerkzeuges unter Berücksichtigung der Sicherheitshinweise.

Mögliche Ursachen dafür können sein:

- Verkanten im zu bearbeitenden Werkstück
- Durchbrechen des zu bearbeitenden Materials
- Überlasten des Elektrowerkzeuges

Greifen Sie nicht in die laufende Maschine.

Das Einsatzwerkzeug ist scharfkantig und kann während der Anwendung heiß werden.

! WARNUNG! Schnitt- und Verbrennungsgefahr – bei Handhabung der Einsatzwerkzeuge – beim Ablegen des Geräts.

Bei der Handhabung der Einsatzwerkzeuge Schutzhandschuhe tragen.

Späne oder Splitter dürfen bei laufender Maschine nicht entfernt werden.

Beim Arbeiten in Wand, Decke oder Fußboden auf elektrische Kabel, Gas- und Wasserleitungen achten.

Sichern Sie Ihr Werkstück mit einer Spannvorrichtung. Nicht gesicherte Werkstücke können schwere Verletzungen und Beschädigungen verursachen.

Vor allen Arbeiten an der Maschine den Wechselakku herausnehmen

Verbrauchte Wechselakkus nicht ins Feuer oder in den Hausmüll werfen. Milwaukee bietet eine umweltgerechte Alt-Wechselakku-Entsorgung an; bitte fragen Sie Ihren Fachhändler.

Wechselakkus nicht zusammen mit Metallgegenständen aufbewahren (Kurzschlussgefahr).

Wechselakkus des Systems M18 nur mit Ladegeräten des Systems M18 laden. Keine Akkus aus anderen Systemen laden.

Wechselakkus und Ladegeräte nicht öffnen und nur in trockenen Räumen lagern. Vor Nässe schützen.

Unter extremer Belastung oder extremer Temperatur kann aus beschädigten Wechselakkus Batterieflüssigkeit auslaufen. Bei Berührung mit Batterieflüssigkeit sofort mit Wasser und Seife abwaschen. Bei Augenkontakt sofort mindestens 10 Minuten gründlich spülen und unverzüglich einen Arzt aufsuchen.

⚠️ WARNUNG! Dieses Gerät enthält eine Lithium-Knopfzellenbatterie. Eine neue oder gebrauchte Batterie kann schwere innere Verbrennungen verursachen und in weniger als 2 Stunden zum Tod führen, wenn sie verschluckt wird oder in den Körper gelangt. Sichern Sie immer den Batteriefachdeckel.

Wenn er nicht sicher schließt, schalten Sie das Gerät aus, entfernen Sie die Batterie und halten Sie sie von Kindern fern. Wenn Sie glauben, dass Batterien verschluckt wurden oder in den Körper gelangt sind, suchen Sie sofort ärztliche Hilfe auf.

Warnung! Um die durch einen Kurzschluss verursachte Gefahr eines Brandes, von Verletzungen oder Produktbeschädigungen zu vermeiden, tauchen Sie das Werkzeug, den Wechselakku oder das Ladegerät nicht in Flüssigkeiten ein und sorgen Sie dafür, dass keine Flüssigkeiten in die Geräte und Akkus eindringen. Korrodierende oder leitfähige Flüssigkeiten, wie Salzwasser, bestimmte Chemikalien und Bleichmittel oder Produkte, die Bleichmittel enthalten, können einen Kurzschluss verursachen.

BESTIMMUNGSGEMÄSSE VERWENDUNG

Der Akku-Schlagschrauber ist universell einsetzbar zum Befestigen und Lösen von Schrauben und Muttern unabhängig von einem Netzanschluss.

Dieses Gerät darf nur wie angegeben bestimmungsgemäß verwendet werden.

EG-KONFORMITÄTSEKTLÄRUNG

Wir erklären als Hersteller in alleiniger Verantwortung, dass das unter „Technische Daten“ beschriebene Produkt mit allen relevanten Vorschriften der Richtlinien 2011/65/EU (RoHS), 2014/53/EU, 2006/42/EG und den folgenden harmonisierten normativen Dokumenten übereinstimmt:

EN 62841-1:2015
EN 62841-2-2:2014
EN IEC 55014-1:2021
EN IEC 55014-2:2021
EN 62479:2010
EN 301 489-1 V2.2.3
EN 301 489-17 V3.1.1
EN 300 328V2.2.2
EN IEC 63000:2018

Winnenden, 2022-11-01



Alexander Krug
Managing Director



Bevollmächtigt die technischen Unterlagen zusammenzustellen.

Technronic Industries GmbH
Max-Eyth-Straße 10
71364 Winnenden
Germany

BEDIENUNG

Hinweis: Es wird empfohlen, nach der Befestigung das Anzugsdrehmoment immer mit einem Drehmomentschlüssel zu prüfen.

Das Anzugsdrehmoment wird durch eine Vielzahl von Faktoren beeinflusst, einschließlich der folgenden.

- Ladezustand der Batterie - Wenn die Batterie entladen ist, fällt die Spannung ab und das Anzugsdrehmoment verringert sich.
- Drehzahlen - Die Verwendung des Werkzeugs bei niedriger Geschwindigkeit führt zu einem geringeren Anzugsdrehmoment.
- Befestigungsposition - Die Art und Weise, wie Sie das Werkzeug oder Befestigungselement halten, beeinflusst das Anzugsdrehmoment.
- Dreh-/Steckeinsatz - Die Verwendung eines Dreh- oder Steckeinsatzes mit falscher Größe oder die Verwendung von nicht schlagfestem Zubehör reduziert das Anzugsdrehmoment.
- Verwendung von Zubehör und Verlängerungen - Je nach Zubehör oder Verlängerung kann das Anzugsdrehmoment des Schlagschraubers reduziert werden.
- Schraube/Mutter - Das Anzugsdrehmoment kann je nach Durchmesser, Länge und Festigkeitsklasse der Schraube/Mutter variieren.
- Zustand der Befestigungselemente - Verunreinigte, korrodierte, trockene oder geschmierte Befestigungselemente können das Anzugsdrehmoment beeinflussen.
- Die zu verschraubenden Teile - Die Festigkeit der zu verschraubenden Teile und jedes Bauteils dazwischen (trocken oder geschmiert, weich oder hart, Scheibe, Dichtung oder Unterlegscheibe) kann das Anzugsdrehmoment beeinflussen.

EINSCHRAUBTECHNIKEN

Je länger ein Bolzen, eine Schraube oder eine Mutter mit dem Schlagschrauber belastet wird, desto fester wird sie angezogen.

Um Beschädigungen der Befestigungsmittel oder Werkstücke zu vermeiden, vermeiden Sie übermäßige Schlagdauer.

Seien Sie besonders vorsichtig, wenn Sie auf kleinere Befestigungsmittel einwirken, da sie weniger Schläge benötigen, um ein optimales Anzugsdrehmoment zu erreichen.

Üben Sie mit verschiedenen Befestigungselementen und merken Sie sich die Zeit, die Sie benötigen, um das gewünschte Anzugsdrehmoment zu erreichen.

Überprüfen Sie das Anzugsdrehmoment mit einem Hand-Drehmomentschlüssel.

Wenn das Anzugsdrehmoment zu hoch ist, reduzieren Sie die Schlagzeit.

Wenn das Anzugsdrehmoment nicht ausreichend ist, erhöhen Sie die Schlagzeit.

Öl, Schmutz, Rost oder andere Verunreinigungen an den Gewinden oder unter dem Kopf des Befestigungsmittels beeinflussen die Höhe des Anzugsdrehmoment.

Das zum Lösen eines Befestigungsmittels erforderliche Drehmoment beträgt durchschnittlich 75% bis 80% des Anzugsdrehmoments, abhängig vom Zustand der Kontaktflächen.

Führen Sie leichte Einschraubarbeiten mit einem relativ geringen Anzugsdrehmoment aus und verwenden Sie zum endgültigen Festziehen einen Hand-Drehmomentschlüssel.

WAHL DER BETRIEBSART

Vor dem Ändern der Betriebsart abwarten, bis das Gerät vollkommen stillsteht. Um die Einstellungen zu ändern, die Taste  drücken. Die WLAN-Taste  drücken, um die voreingestellten Werte über die ONE-KEY App auf Ihrem Smartphone zu ändern.

ONE-KEY™

Um mehr über die ONE-KEY Funktionalität dieses Werkzeugs zu erfahren, lesen Sie die beiliegende Schnellstartanleitung oder besuchen Sie uns im Internet unter www.milwaukeeetool.com/one-key. Sie können die ONE-KEY App über den App Store oder Google Play auf Ihr Smartphone herunterladen.

Wenn das Gerät durch elektrostatische Entladungen gestört wird, geht die LED-Geschwindigkeitsanzeige aus und die Geschwindigkeit lässt sich nicht mehr regulieren. In diesem Fall den Wechselakku und die Knopfzelle entnehmen und erneut einsetzen (siehe Seite 6 und Seite 15).

Durch elektrostatische Entladungen verursachte Störungen führen auch zur Unterbrechung der Bluetooth-Kommunikation. In diesem Fall muss die Bluetooth-Verbindung manuell wieder hergestellt werden.

ONE-KEY™ Anzeige

Blaues Leuchten	Funkverbindung ist aktiv und kann über die ONE-KEY™ App eingestellt werden.
Blaues Blinken	Werkzeug kommuniziert mit der ONE-KEY™ App.
Rotes Blinken	Werkzeug wurde aus Sicherheitsgründen gesperrt und kann vom Bediener über die ONE-KEY™ App entsperrt werden.

AKKUS

Längere Zeit nicht benutzte Wechselakkus vor Gebrauch nachladen.

Eine Temperatur über 50°C vermindert die Leistung des Wechselakkus. Längere Erwärmung durch Sonne oder Heizung vermeiden.

Die Anschlusskontakte an Ladegerät und Wechselakku sauber halten.

Für eine optimale Lebensdauer müssen nach dem Gebrauch die Akkus voll geladen werden.

Für eine möglichst lange Lebensdauer sollten die Akkus nach dem Aufladen aus dem Ladegerät entfernt werden.

Bei Lagerung des Akkus länger als 30 Tage:

Akku bei ca. 27°C und trocken lagern.

Akku bei ca. 30%-50% des Ladezustandes lagern.

Akku alle 6 Monate erneut aufladen.

AKKUÜBERLASTSCHUTZ

Bei Überlastung des Akkus durch sehr hohen Stromverbrauch, z.B. extrem hohe Drehmomente, Verklemmen des Bohrers, plötzlichem Stopp oder Kurzschluss, brummt das Elektrowerkzeug 2 Sekunden lang und schaltet sich selbsttätig ab.

Zum Wiedereinschalten, den Schalterdrücker loslassen und dann wieder einschalten.

Unter extremen Belastungen kann sich der Akku stark erhitzen. In diesem Fall schaltet der Akku ab.

TRANSPORT VON LITHIUM-IONEN-AKKUS

Lithium-Ionen-Akkus fallen unter die gesetzlichen Bestimmungen zum Gefahrguttransport.

Der Transport dieser Akkus muss unter Einhaltung der lokalen, nationalen und internationalen Vorschriften und Bestimmungen erfolgen.

- Verbraucher dürfen diese Akkus ohne Weiteres auf der Straße transportieren.
- Der kommerzielle Transport von Lithium-Ionen-Akkus durch Speditionsunternehmen unterliegt den Bestimmungen des Gefahrguttransports. Die Versandvorbereitungen und der Transport dürfen ausschließlich von entsprechend geschulten Personen durchgeführt werden. Der gesamte Prozess muss fachmännisch begleitet werden.

Folgende Punkte sind beim Transport von Akkus zu beachten:

- Stellen Sie sicher, dass die Kontakte geschützt und isoliert sind, um Kurzschlüsse zu vermeiden.
- Achten Sie darauf, dass der Akkupack innerhalb der Verpackung nicht verrutschen kann.
- Beschädigte oder auslaufende Akkus dürfen nicht transportiert werden.

Wenden Sie sich für weitere Hinweise an Ihr Speditionsunternehmen.

WARTUNG

Wartungshinweise finden Sie in der ONE-KEY App.

Nur Milwaukee Zubehör und Milwaukee Ersatzteile verwenden. Bauteile, deren Austausch nicht beschrieben wurde, bei einer Milwaukee Kundendienststelle auswechseln lassen (Broschüre Garantie/ Kundendienstadressen beachten).

Bei Bedarf kann eine Explosionszeichnung des Gerätes unter Angabe der Maschinen Type und der sechsstelligen Nummer auf dem Leistungsschild bei Ihrer Kundendienststelle oder direkt bei Technronic Industries GmbH, Max-Eyth-Straße 10, 71364 Winnenden, Germany angefordert werden.

SYMBOLS

	ACHTUNG! WARNUNG! GEFAHR!
	Vor allen Arbeiten an der Maschine den Wechselakku herausnehmen
	Bitte lesen Sie die Gebrauchsanweisung vor Inbetriebnahme sorgfältig durch.
	Schutzhandschuhe tragen!
	Knopfzellenbatterie nicht verschlucken!
	Altbatterien, Elektro- und Elektronik-Altgeräte dürfen nicht zusammen mit dem Hausmüll entsorgt werden. Altbatterien, Elektro- und Elektronik-Altgeräte sind getrennt zu sammeln und zu entsorgen. Entfernen Sie Altbatterien, Akkumulatoren und Leuchtmittel vor dem Entsorgen aus den Geräten. Erkundigen Sie sich bei den örtlichen Behörden oder bei Ihrem Fachhändler nach Recyclinghöfen und Sammelstellen. Je nach den örtlichen Bestimmungen können Einzelhändler verpflichtet sein, Altbatterien, Elektro- und Elektronik-Altgeräte kostenlos zurückzunehmen. Tragen Sie durch Wiederverwendung und Recycling Ihrer Altbatterien, Elektro- und Elektronik-Altgeräte dazu bei, den Bedarf an Rohmaterialien zu verringern. Altbatterien (vor allem Lithium-Ionen-Batterien), Elektro- und Elektronik-Altgeräte enthalten wertvolle, wiederverwertbare Materialien, die bei nicht umweltgerechter Entsorgung negative Auswirkungen auf die Umwelt und Ihre Gesundheit haben können. Löschen Sie vor der Entsorgung möglicherweise auf Ihrem Altgerät vorhandene personenbezogene Daten.
n	Leerlaufdrehzahl
v	Spannung
	Gleichstrom
	Europäisches Konformitätszeichen
	Britisches Konformitätszeichen
	Ukrainisches Konformitätszeichen
	Euroasiatisches Konformitätszeichen

CARACTÉRISTIQUES TECHNIQUES **VISSEUSE À CHOC SANS FIL** **M18 ONEFHWP12** **M18 ONEFHWF12** **M18 ONEFHWF34**

Numéro de série.....	4671 85 04... ...000001-999999	4671 95 04... ...000001-999999	4672 05 04... ...000001-999999
 Vitesse de rotation à vide.....	0-950 min ⁻¹	0-550 min ⁻¹	0-800 min ⁻¹
 Cadence de percussion.....	0-1150 min ⁻¹	0-950 min ⁻¹	0-850 min ⁻¹
 Vitesse de rotation à vide.....	0-1500 min ⁻¹	0-1400 min ⁻¹	0-1300 min ⁻¹
 Cadence de percussion.....	0-2100 min ⁻¹	0-1750 min ⁻¹	0-1850 min ⁻¹
 Vitesse de rotation à vide.....	0-1800 min ⁻¹	0-1750 min ⁻¹	0-1800 min ⁻¹
 Cadence de percussion.....	0-2400 min ⁻¹	0-2100 min ⁻¹	0-2400 min ⁻¹
 Vitesse de rotation à vide.....	0-1800 min ⁻¹	0-1750 min ⁻¹	0-1800 min ⁻¹
 Cadence de percussion.....	0-2400 min ⁻¹	0-2100 min ⁻¹	0-2400 min ⁻¹

Couple max.....	1017 Nm	1356 Nm	1627 Nm
Dimension maximale de vis/décrou.....	M 24	M33	M33
Système de fixation.....	1/2" (13 mm)	1/2" (13 mm)	3/4" (19 mm)
Tension accu interchangeable.....	18 V	18 V	18 V
Poids suivant EPTA-Procédure 01/2014 (4,0 Ah / 5,0 Ah).....	3,2 kg	3,3 kg	3,5 kg
Poids suivant EPTA-Procédure 01/2014 (9,0 Ah).....	3,6 kg	3,7 kg	3,9 kg
Bande (bandes) de fréquence Bluetooth.....	2402-2480 MHz	2402-2480 MHz	2402-2480 MHz
Puissance à haute fréquence.....	1,8 dBm	1,8 dBm	1,8 dBm
Versión Bluetooth.....	4.0 BT signal mode	4.0 BT signal mode	4.0 BT signal mode
Température conseillée lors du travail.....	-18 +50 °C	-18 +50 °C	-18 +50 °C
Batteries conseillées.....	M18B2, M18B4, M18B5, M18B6, M18B9		
Chargeurs de batteries conseillés.....	M12-18C, M12-18AC, M12-18FC, M1418C6		

Informations sur le bruit et les vibrations

Valeurs de mesure obtenues conformément à la EN 62841. Les mesures réelles (des niveaux acoustiques de l'appareil) sont :

Niveau de pression acoustique (Incertitude K=3dB(A)).....	94,7 dB (A)	94,9 dB (A)	98,5 dB (A)
Niveau d'intensité acoustique (Incertitude K=3dB(A)).....	105,7 dB (A)	105,9 dB (A)	109,5 dB (A)

Toujours porter une protection acoustique!

Valeurs totales des vibrations (somme vectorielle de trois sens) établies conformément à EN 62841.

Valeur d'émission vibratoire a _w			
Vissage à bloc des vis et des écrous de la dimension maximale.....	18,4 m/s ²	16,7 m/s ²	15,9 m/s ²
Incertitude K=.....	1,5 m/s ²	1,5 m/s ²	1,5 m/s ²

AVERTISSEMENT!

Le niveau de vibration et d'émissions sonores indiqué dans cette fiche de données a été mesuré en respect d'une méthode standard de test selon la norme EN 62841 et peut être utilisé pour comparer les outils entre eux. Il peut être utilisé pour évaluation préliminaire de l'exposition.

Le niveau de vibration et d'émissions sonores déclaré correspond à l'application principale de l'outil. Cependant, si l'outil est utilisé pour des applications différentes, avec différents accessoires ou est mal entretenu, les vibrations et les émissions sonores peuvent différer. Cela peut augmenter considérablement le niveau d'exposition au cours de la période de travail totale.

Une estimation du niveau d'exposition aux vibrations et au bruit devrait également tenir compte des temps d'arrêt de l'outil ou des périodes où il est en marche mais n'effectue pas réellement le travail. Cela peut réduire considérablement le niveau d'exposition au cours de la période de travail totale.

Identifier des mesures de sécurité supplémentaires pour protéger l'opérateur des effets des vibrations et/ou du bruit tels que : l'entretien de l'outil et des accessoires, le maintien au chaud des mains, l'organisation des processus de travail.

AVERTISSEMENT! Lire tous les avertissements de sécurité, les instructions opérationnelles, les illustrations et les spécifications fournies avec cet outil électrique. La non observance des instructions mentionnées ci-dessous peut causer des chocs électriques, des incendies ou de graves blessures.

Conservé tous les avertissements et toutes les instructions pour pouvoir s'y reporter ultérieurement

INSTRUCTIONS DE SÉCURITÉ POUR VISSEUSE À CHOC

Portez une protection acoustique. L'influence du bruit peut provoquer la surdité.

Tenir l'appareil aux surfaces isolées faisant office de poignée pendant les travaux au cours desquels la vis peut toucher des lignes électriques dissimulées. Le contact de la vis avec un câble qui conduit la tension peut mettre des parties d'appareil en métal sous tension et mener à une décharge électrique.

AVIS COMPLÉMENTAIRES DE SÉCURITÉ ET DE TRAVAIL

Portez un équipement de protection individuelle. Portez toujours des lunettes de protection. Porter un équipement de protection adapté, tel qu'un masque antipoussière, des chaussures antidérapantes, un casque de protection ou une protections auditive, permet de réduire le risque de blessure.

Les poussières qui sont dégagées pendant les travaux sont souvent nocives pour la santé et ne devraient pas pénétrer dans le corps. Porter un masque de protection approprié contre les poussières.

Il est interdit de travailler des matériaux dangereux pour la santé (par ex. amiante).

Désactiver immédiatement le dispositif en cas de blocage ! Ne pas réactiver le dispositif avec l'outil bloqué; il y a le risque de provoquer un contrecoup avec moment de réaction élevé. Établir et éliminer la cause du blocage de l'outil en prêtant attention aux consignes de sécurité.

Les causes possibles sont :

- Encastrement dans la pièce à travailler.
- Le dispositif a traversé le matériau à travailler en le cassant.
- Le dispositif électrique a été surchargé.

Ne pas approcher les mains de la partie en mouvement de la machine.

L'outil d'insertion présente des arêtes vives et peut devenir chaud pendant son utilisation.

AVERTISSEMENT ! Risque de coupures et de brûlures

- lors de la manipulation des outils d'insertion
- lors de la pose de l'appareil.

Lors de la manipulation des outils d'insertion, portez des gants de protection.

Ne jamais enlever le copeaux ni les éclats lorsque la machine est en marche.

Lors du perçage dans les murs, les plafonds ou les planchers, toujours faire attention aux câbles électriques et aux conduites de gaz et d'eau.

Fixer fermement la pièce en exécution à l'aide d'un dispositif de serrage. Des pièces en exécution non fermement fixées peuvent provoquer des dommages et des lésions graves.

Avant tous travaux sur la machine retirer l'accu interchangeable.

Ne pas jeter les accus interchangeables usés au feu ou avec les déchets ménagers. Milwaukee offre un système d'évacuation écologique des accus usés.

Ne pas conserver les accus interchangeables avec des objets métalliques (risque de court-circuit)

Ne charger les accus interchangeables du système M18 qu'avec le chargeur d'accus du système M18. Ne pas charger des accus d'autres systèmes.

Ne pas ouvrir les accus interchangeables et les chargeurs et ne les stocker que dans des locaux secs. Les protéger contre l'humidité.

En cas de conditions ou températures extrêmes, du liquide caustique peut s'échapper d'un accu interchangeable endommagé. En cas de contact avec le liquide caustique de la batterie, laver immédiatement avec de l'eau et du savon. En cas de contact avec les yeux, rincer soigneusement avec de l'eau et consulter immédiatement un médecin.

AVERTISSEMENT ! Ce dispositif contient une batterie bouton au lithium. Une batterie neuve ou déjà utilisée peut causer de graves brûlures internes et provoquer la mort en moins de 2 heures en cas d'ingestion ou si elle pénètre à l'intérieur du corps. Toujours fermer d'une manière sûre le couvercle du logement de la batterie.

En cas de couvercle défectueux, désactiver le dispositif, enlever la batterie et la garder hors de la portée des enfants.

Si l'on soupçonne que des batteries ont été ingérées ou que des batteries ont pénétrées dans le corps, consulter un médecin immédiatement.

AVERTISSEMENT! Pour réduire le risque d'incendie, de blessures corporelles et de dommages causés par un court-circuit, ne jamais immerger l'outil, le bloc-piles ou le chargeur dans un liquide ou laisser couler un fluide à l'intérieur de celui-ci. Les fluides corrosifs ou conducteurs, tels que l'eau de mer, certains produits chimiques industriels, les produits de blanchiment ou de blanchiment, etc., peuvent provoquer un court-circuit.

UTILISATION CONFORME AUX PRESCRIPTIONS

La visseuse à percussion à accu peut être utilisée de manière universelle pour visser et dévisser des vis et des écrous, indépendamment d'une prise de réseau.

Comme déjà indiqué, cette machine n'est conçue que pour être utilisée conformément aux prescriptions.

DÉCLARATION CE DE CONFORMITÉ

Nous déclarons, en tant que fabricant et sous notre seule responsabilité, que le produit décrit dans « Données techniques » est conforme à toutes les dispositions pertinentes des directives 2011/65/UE (RoHS), 2014/53/UE, 2006/42/CE et des documents normatifs harmonisés suivants :

- EN 62841-1:2015
- EN 62841-2-2:2014
- EN IEC 55014-1:2021
- EN IEC 55014-2:2021
- EN 62479:2010
- EN 301 489-1 V2.2.3
- EN 301 489-17 V3.1.1
- EN 300 328V2.2.2
- EN IEC 63000:2018

Winnenden, 2022-11-01

Alexander Krug

Alexander Krug
Managing Director



Autorisé à compiler la documentation technique.

Technronic Industries GmbH
Max-Eyth-Straße 10
71364 Winnenden
Germany

UTILISATION

Remarque : il est recommandé de toujours vérifier le couple de serrage au moyen d'une clé dynamométrique après la fixation.

Le couple de serrage est influencé par un certain nombre de facteurs, dont les suivants :

- État de la batterie - Lorsque la batterie est déchargée, la tension chute et le couple de serrage est réduit.
- Vitesse de rotation - L'utilisation de l'outil à vitesse réduite entraîne une réduction du couple de serrage.
- Position lors de la fixation - La façon dont vous tenez l'outil ou l'élément de fixation affecte le couple de serrage.
- Insert rotatif/enfichable - L'utilisation d'un insert rotatif/enfichable d'une taille incorrecte ou d'accessoires ne résistant pas aux chocs réduit le couple de serrage.
- Utilisation d'accessoires et de rallonges - En fonction des accessoires ou des rallonges utilisés, le couple de serrage de la visseuse à percussions peut être réduit.
- Vis/écrou - Le couple de serrage peut varier selon le diamètre, la longueur et la classe de résistance de la vis/de l'écrou.
- État des éléments de fixation - Des éléments de fixation encrassés, corrodés, secs ou lubrifiés peuvent influencer le couple de serrage.
- Les pièces à visser - La solidité des pièces à visser et tout composant se trouvant entre celles-ci (sec ou lubrifié, souple ou dur, plaquette, joint ou rondelle) peut influencer le couple de serrage.

TECHNIQUES DE SERRAGE

Le couple de serrage du boulon, de la vis ou de l'écrou est proportionnel à la durée de la percussion.

Pour éviter d'endommager les fixations ou le matériau, limitez la durée de la percussion.

Afin d'obtenir un couple de serrage optimal, soyez particulièrement prudent lorsque vous serrez des fixations de petit calibre qui requièrent moins de percussion.

Pratiquez le serrage à percussion avec divers types de fixations afin d'apprendre quelle est la durée de percussion nécessaire pour obtenir le couple désiré.

Vérifiez le serrage à l'aide d'une clé dynamométrique manuelle.

Si la fixation est trop serrée, réduisez la durée de percussion.

Si la fixation n'est pas serrée à fond, augmentez la durée de percussion.

L'huile, la poussière ou d'autres saletés sur le filetage ou sous la tête de la fixation peuvent affecter le couple de serrage.

Le couple nécessaire pour desserrer une fixation est, en moyenne, 75 % à 80 % du couple nécessaire pour la serrer, selon l'état des surfaces en contact.

Effectuez les simples tâches de vissage en exerçant un couple de serrage relativement faible et terminez le serrage à la main à l'aide de la clé dynamométrique.

SÉLECTION DU MODE DE FONCTIONNEMENT

Avant de sélectionner un mode de fonctionnement différent, attendre l'arrêt complet du dispositif. Pour modifier les paramètres, appuyer sur la touche . Appuyer sur la touche WLAN  pour modifier les valeurs actuelles à partir de l'application ONE-KEY présente sur votre smartphone.

ONE-KEY™

Pour tout renseignement complémentaire sur la fonction ONE-KEY de cet appareil, lire les instructions rapides annexées ou consulter notre page Internet www.milwaukeeool.com/one-key. L'application ONE-KEY peut être téléchargée à partir de l'App Store ou de Google Play sur votre smartphone.

Si le dispositif est perturbé par des décharges électrostatiques, le DEL indiquant la vitesse s'éteint et il ne sera plus possible de régler la vitesse. Dans ce cas il est nécessaire d'enlever la batterie rechargeable et la batterie bouton et les réinsérer (voir page 6 et page 15). Les perturbations causées par les décharges électrostatiques interrompent

également la communication Bluetooth. Dans ce cas la connexion Bluetooth devra être rétablie manuellement.

Affichage ONE-KEY™

Éclairage bleu	La liaison radio est active et peut être réglée via l'appli ONE-KEY™.
Clignotement bleu	L'outil communique avec l'appli ONE-KEY™.
Clignotement rouge	L'outil a été verrouillé pour des raisons de sécurité et peut être déverrouillé par l'opérateur via l'appli ONE-KEY™.

ACCUS

Recharger les accus avant utilisation après une longue période de non utilisation. Une température supérieure à 50°C amoindrit la capacité des accus. Éviter les expositions prolongées au soleil ou au chauffage.

Tenir propres les contacts des accus et des chargeurs.

Pour une durée de vie optimale, les accus doivent être chargés à fond après l'utilisation.

Pour une plus longue durée de vie, enlever les batteries du chargeur de batterie quand celles-ci seront chargées.

En cas d'entreposage de la batterie pour plus de 30 jours:

Entreposer la batterie à 27°C environ dans un endroit sec.

Entreposer la batterie avec une charge d'environ 30% - 50%.

Recharger la batterie tous les 6 mois.

PROTECTION DE L'ACCU CONTRE LES SURCHARGES

En cas de surcharge de l'accu suite à une consommation de courant très élevée, par exemple des couples extrêmement hauts, un coincement du foret, un arrêt soudain ou un court-circuit, l'outil électrique se met à bourdonner pendant 2 secondes et s'éteint automatiquement.

Pour le remettre en marche, il faut relâcher le poussoir de commutateur, puis l'enclencher à nouveau.

Il se peut que l'accu s'échauffe fortement s'il est soumis à des sollicitations extrêmes. Dans ce cas, il se déconnecte.

TRANSPORT DE BATTERIES LITHIUM-ION

Les batteries lithium-ion sont soumises aux dispositions législatives concernant le transport de produits dangereux.

Le transport de ces batteries devra s'effectuer dans le respect des dispositions et des normes locales, nationales et internationales.

- Les utilisateurs peuvent transporter ces batteries sans restrictions.
- Le transport commercial de batteries lithium-ion est régi par les dispositions concernant le transport de produits dangereux. La préparation au transport et le transport devront être effectués uniquement par du personnel formé de façon adéquate. Tout le procédé devra être géré d'une manière professionnelle.

Durant le transport de batteries il faut respecter les consignes suivantes:

- S'assurer que les contacts soient protégés et isolés en vue d'éviter des courts-circuits.
- S'assurer que le groupe de batteries ne puisse pas se déplacer à l'intérieur de son emballage.
- Des batteries endommagées ou des batteries perdant du liquide ne devront pas être transportées.

Pour tout renseignement complémentaire veuillez vous adresser à votre transporteur professionnel.

ENTRETIEN

Les instructions d'entretien sont contenues dans l'application ONE-KEY.

Utiliser uniquement les accessoires Milwaukee et les pièces détachées Milwaukee. Faire remplacer les composants dont le remplacement n'a pas été décrit, par un des centres de service après-vente Milwaukee (observer la brochure avec les adresses de garantie et de service après-vente).

En cas de besoin il est possible de demander un dessin éclaté du dispositif en indiquant le modèle de la machine et le numéro de six chiffres imprimé sur la plaquette de puissance et en s'adressant au centre d'assistance technique ou directement à Techtronic Industries GmbH, Max-Eyth-Straße 10, 71364 Winnenden, Germany.

SYMBOLES

	ATTENTION! AVERTISSEMENT! DANGER!
	Avant tous travaux sur la machine retirer l'accu interchangeable.
	Veuillez lire avec soin le mode d'emploi avant la mise en service
	Porter des gants de protection!
	Ne pas ingérer des batteries bouton.
	Les déchets de piles et les déchets d'équipements électriques et électroniques (déchets d'équipements électriques et électroniques) ne sont pas à éliminer dans les déchets ménagers. Les déchets de piles et les déchets d'équipements électriques et électroniques doivent être collectés et éliminés séparément. Retirez les déchets de piles, les déchets d'accumulateurs et les ampoules des appareils avant de les jeter. S'adresser aux autorités locales ou au détaillant spécialisé en vue de connaître l'emplacement des centres de recyclage et des points de collecte. Selon les réglementations locales, les détaillants peuvent être tenus de reprendre gratuitement les déchets de piles et les déchets d'équipements électriques et électroniques. Contribuez à réduire la demande de matières premières en réutilisant et en recyclant vos déchets de piles et d'équipements électriques et électroniques. Les déchets de piles (surtout les piles au lithium-ion) et les déchets d'équipements électriques et électroniques comportent des matériaux précieux et recyclables qui peuvent avoir des impacts négatifs sur l'environnement et sur votre santé s'ils ne sont pas éliminés de manière écologique. Avant de mettre au rebut votre ancien appareil, supprimez les données personnelles qui pourraient s'y trouver.
	Vitesse de rotation à vide
	Voltage
	Courant continu
	Marque de conformité européenne
	Marque de conformité britannique
	Marque de conformité ukrainienne
	Marque de conformité d'Eurasie

DATI TECNICI

	AVVITATORE A IMPULSI A BATTERIA	M18 ONEFHWP12	M18 ONEFHWF12	M18 ONEFHWF34
Numero di serie.....	4671 85 04... ..000001-999999	4671 95 04... ..000001-999999	4672 05 04... ..000001-999999	
Numero di giri a vuoto.....	0-950 min ⁻¹	0-550 min ⁻¹	0-800 min ⁻¹	
Frequenza di percussione.....	0-1150 min ⁻¹	0-950 min ⁻¹	0-850 min ⁻¹	
Numero di giri a vuoto.....	0-1500 min ⁻¹	0-1400 min ⁻¹	0-1300 min ⁻¹	
Frequenza di percussione.....	0-2100 min ⁻¹	0-1750 min ⁻¹	0-1850 min ⁻¹	
Numero di giri a vuoto.....	0-1800 min ⁻¹	0-1750 min ⁻¹	0-1800 min ⁻¹	
Frequenza di percussione.....	0-2400 min ⁻¹	0-2100 min ⁻¹	0-2400 min ⁻¹	
Numero di giri a vuoto.....	0-1800 min ⁻¹	0-1750 min ⁻¹	0-1800 min ⁻¹	
Frequenza di percussione.....	0-2400 min ⁻¹	0-2100 min ⁻¹	0-2400 min ⁻¹	
Momento torcente max.....	1017 Nm	1356 Nm	1627 Nm	
Massima dimensione viti / dadi.....	M24	M33	M33	
Attacco utensili.....	1/2" (13 mm)	1/2" (13 mm)	3/4" (19 mm)	
Tensione batteria.....	18 V	18 V	18 V	
Peso secondo la procedura EPTA 01/2014 (4,0 Ah / 5,0 Ah).....	3,2 kg	3,3 kg	3,5 kg	
Peso secondo la procedura EPTA 01/2014 (9,0 Ah).....	3,6 kg	3,7 kg	3,9 kg	
Banda (bande) di frequenza Bluetooth.....	2402-2480 MHz	2402-2480 MHz	2402-2480 MHz	
Potenza ad alta frequenza.....	1,8 dBm	1,8 dBm	1,8 dBm	
Versione Bluetooth.....	4.0 BT signal mode	4.0 BT signal mode	4.0 BT signal mode	
Temperatura consigliata durante il lavoro.....	-18 +50 °C	-18 +50 °C	-18 +50 °C	
Batterie consigliate.....	M18B2, M18B4, M18B5, M18B6, M18B9			
Caricatori consigliati.....	M12-18C, M12-18AC, M12-18FC, M1418C6			

Informazioni sulla rumorosità/sulle vibrazioni

Valori misurati conformemente alla norma EN 62841.

La misurazione A del livello di pressione acustica dell'utensile è di solito di:

Livello di rumorosità (Incertezza della misura K=3dB(A)).....	94,7 dB (A)	94,9 dB (A)	98,5 dB (A)
Potenza della rumorosità (Incertezza della misura K=3dB(A)).....	105,7 dB (A)	105,9 dB (A)	109,5 dB (A)

Utilizzare le protezioni per l'udito!

Valori totali delle oscillazioni (somma di vettori in tre direzioni) misurati conformemente alla norma EN 62841.

Valore di emissione dell'oscillazione a_w

Serraggio di viti e dadi di dimensioni massime.....	18,4 m/s ²	16,7 m/s ²	15,9 m/s ²
Incertezza della misura K=.....	1,5 m/s ²	1,5 m/s ²	1,5 m/s ²

AVVERTENZA!

Il/i valore/i di emissione acustica riportato/i in questa scheda informativa sono stati misurati conformemente a un metodo di prova standard sulla base della norma EN 62841 e possono essere utilizzati per confrontare gli utensili tra loro. Può/possono essere utilizzati/anche per una valutazione preliminare dell'esposizione.

Il livello di vibrazione ed emissione acustica dichiarato rappresenta le applicazioni principali dell'utensile. Tuttavia, se l'utensile è utilizzato per applicazioni diverse, con accessori differenti o una manutenzione non adeguata, la vibrazione e l'emissione acustica potrebbero variare. Ciò può aumentare significativamente il livello di esposizione durante l'intera durata del lavoro.

Una stima del livello di esposizione alle vibrazioni e al rumore dovrebbe tenere conto anche dei periodi in cui l'utensile è spento o è in funzione ma non sta lavorando. Ciò può ridurre significativamente il livello di esposizione durante l'intera durata del lavoro.

Identificare le misure di sicurezza supplementari per proteggere l'operatore dagli effetti delle vibrazioni e/o del rumore, ad esempio eseguendo la manutenzione dell'utensile e degli accessori, mantenendo le mani calde e organizzando gli schemi di lavoro.

AVVERTENZA! Leggere tutte le avvertenze di sicurezza, istruzioni operative, illustrazioni e specifiche fornite con questo elettrodotto. Il mancato rispetto delle istruzioni di seguito riportate può causare scosse elettriche, incendi e/o lesioni gravi.
Conservare tutte le avvertenze di pericolo e le istruzioni operative per ogni esigenza futura.

INDICAZIONI DI SICUREZZA PER AVVITATORE A IMPULSI

Indossare protezioni acustiche adeguate. L'esposizione prolungata al rumore senza protezione può causare danni all'udito.

Quando si svolge un'operazione in cui la vite potrebbe entrare in contatto con conduttori elettrici nascoste impugnare l'apparecchio afferrandolo per le superfici isolate. La vite che entra in contatto con una conduttura in tensione può mettere sotto tensione le parti metalliche dell'apparecchio e causare scosse elettriche.

ULTERIORI AVVISI DI SICUREZZA E DI LAVORO

Indossare i dispositivi di protezione individuale. Indossare sempre occhiali di protezione. Indossare i dispositivi di protezione appropriati, come maschere antipolvere, calzature antiscivolo, elmetti o protezioni per l'udito, riduce il rischio di lesioni.

La polvere che si produce durante il lavoro è spesso dannosa per la salute e non dovrebbe essere aspirata. Portare un'adeguata mascherina protettiva. E' vietato lavorare materiali che possono costituire pericoli alla salute (ad es. amianto).

Spegnerne immediatamente il dispositivo in caso di bloccaggio! Non riaccendere il dispositivo fino a quando l'utensile ad inserito resta bloccato; esiste il rischio di causare un contraccolpo con elevato momento di reazione. Rilevare ed eliminare la causa del bloccaggio dell'utensile ad inserito tenendo conto delle indicazioni di sicurezza.

Le possibili cause sono:

- Incastro nel pezzo in lavorazione
- Il dispositivo ha attraversato il materiale da lavorare rompendolo
- Il dispositivo elettrico è stato sovraccaricato

Non avvicinare le mani alla parte della macchina in movimento.

L'utensile ad inserto ha spigoli vivi e può surriscaldarsi durante l'uso.

AVVERTENZA! Pericolo di tagli e bruciature
– quando si maneggiano gli utensili ad inserto
– durante il deposito dell'utensile.

Indossare guanti protettivi quando si maneggiano gli utensili ad inserto.

Non rimuovere trucioli o schegge mentre l'utensile è in funzione.

Forando pareti, soffitti o pavimenti, si faccia attenzione ai cavi elettrici e alle condutture dell'acqua e del gas.

Fissare in sicurezza il pezzo in lavorazione con un dispositivo di serraggio. Pezzi in lavorazione che non siano fissati in sicurezza possono causare gravi lesioni e danni.

Prima di iniziare togliere la batteria dalla macchina.

Si prega di leggere con attenzione le istruzioni riguardanti la sicurezza, nel volantino allegato.

Nel vano d'innesto per la batteria del caricatore non devono entrare parti metalliche (pericolo di cortocircuito).

Le batterie del System M18 sono ricaricabili esclusivamente con i caricatori del System M18. Le batterie di altri sistemi non possono essere ricaricate.

Non aprire né la batteria né il caricatore e conservarli solo in luogo asciutto. Proteggerli dalla umidità.

Nel caso di batterie danneggiate da un carico eccessivo o da temperature alte, l'acido di queste potrebbe fuoriuscire. In caso di contatto con l'acido delle batterie lavarsi immediatamente con acqua e sapone. In caso di contatto con gli occhi risciacquare immediatamente con acqua per almeno 10 minuti e contattare subito un medico.

AVVERTENZA! Questo dispositivo contiene una batteria a bottone al litio.

Una batteria nuova o usata può causare gravi ustioni interne e indurre la morte in meno di 2 ore se viene ingerita o se entra all'interno del corpo. Chiudere sempre in sicurezza il coperchio del vano batteria. Se non chiude in sicurezza, spegnere il dispositivo, rimuovere la batteria e conservarla fuori dalla portata dei bambini.

Se si ha il sospetto che possano essere state ingoiate delle batterie o che queste possano essere entrate nel corpo, consultare immediatamente un medico.

Attenzione! Per ridurre il rischio d'incendio, di lesioni o di danni al prodotto causati da corto circuito, non immergere mai l'utensile, la batteria ricaricabile o il carica batterie in un liquido e non lasciare mai penetrare alcun liquido all'interno dei dispositivi e delle batterie. I fluidi corrosivi o conduttori come acqua salata, alcuni agenti chimici, agenti candeggianti o prodotti contenenti agenti candeggianti potrebbero provocare un corto circuito.

UTILIZZO CONFORME

L'avvitatrice a percussione è un attrezzo universale per fissare e staccare viti, bulloni e dadi in luoghi dove non c'è corrente elettrica.

Utilizzare il prodotto solo per l'uso per cui è previsto.

DICHIARAZIONE CE DI CONFORMITÀ

In qualità di produttore dichiariamo sotto la nostra esclusiva responsabilità che il prodotto descritto nei "Dati tecnici" è conforme a tutte le disposizioni pertinenti delle direttive 2011/65/UE (RoHS), 2014/53/UE, 2006/42/CE e dei seguenti documenti normativi armonizzati:

EN 62841-1:2015
EN 62841-2-2:2014
EN IEC 55014-1:2021
EN IEC 55014-2:2021
EN 62479:2010
EN 301 489-1 V2.2.3
EN 301 489-17 V3.1.1
EN 300 328V2.2.2
EN IEC 63000:2018

Winnenden, 2022-11-01



Alexander Krug
Managing Director



Autorizzato alla preparazione della documentazione tecnica

Techtronic Industries GmbH
Max-Eyth-Straße 10
71364 Winnenden
Germany

USO

Avvertenza: A fissaggio avvenuto si consiglia di verificare sempre la coppia di serraggio con una chiave dinamometrica.

La coppia di serraggio è influenzata da una moltitudine di fattori, tra cui anche i seguenti.

- Stato di carica della batteria - Se la batteria è scarica, il voltaggio diminuisce e la coppia di serraggio si riduce.
- Numero di giri - Usare l'utensile a bassa velocità comporta una coppia di serraggio inferiore.
- Posizione di fissaggio - Il modo in cui si tiene l'utensile o l'elemento di fissaggio influisce sulla coppia di serraggio.
- Punta/inserto ad innesto - L'uso di una punta o di un inserto ad innesto della dimensione errata o l'uso di accessori non resistenti agli urti riduce la coppia di serraggio.
- Uso di accessori ed estensioni - A seconda dell'accessorio o dell'estensione, la coppia di serraggio dell'avvitatore a percussione può essere ridotta.
- Vite/dado - La coppia di serraggio può variare in base a diametro, lunghezza e classe di resistenza della vite/del dado.
- Stato degli elementi di fissaggio - Elementi di fissaggio sporchi, corrosi, secchi o lubrificati possono influire sulla coppia di serraggio.
- Le parti da avvitare - La resistenza delle parti da avvitare ed ogni elemento interposto (secco o lubrificato, morbido o duro, disco, guarnizione o rondella) possono influire sulla coppia di serraggio.

TECNICHE DI AVVITATURA

Più a lungo si agisce con l'avvitatore a percussione su di un bullone, una vite o un dado, maggiore sarà il serraggio.

Evitare una durata eccessiva della lavorazione a percussione per evitare danni agli elementi di fissaggio o alle parti in lavorazione.

Usare particolare prudenza quando si agisce su elementi di fissaggio di dimensioni minori perché richiedono un numero di percussioni minore per raggiungere una coppia di serraggio ottimale.

Eseguire alcune prove con diversi elementi di fissaggio ed annotare il tempo necessario per raggiungere la coppia di serraggio desiderata.

Verificare la coppia di serraggio con una chiave dinamometrica manuale.

Se la coppia di serraggio è eccessiva, ridurre la durata di percussione.

Se la coppia di serraggio non è sufficiente, incrementare la durata di percussione.

Olio, sporcizia, ruggine o altre impurità sulle filettature o sotto la testa dell'elemento di fissaggio influiscono sulla grandezza della coppia di serraggio.

La coppia necessaria per svitare un elemento di fissaggio è mediamente pari al 75% - 80% della coppia di serraggio, a seconda dello stato delle superfici di contatto.

Eseguire lavori di avvitatura leggeri con una coppia di serraggio relativamente bassa e per il serraggio finale usare una chiave dinamometrica manuale.

SELEZIONE DELLA MODALITÀ DI FUNZIONAMENTO

Prima di selezionare una diversa modalità di funzionamento, attendere che il dispositivo si sia arrestato completamente. Per modificare le impostazioni, premere il tasto . Premere il tasto WLAN  per modificare dalla ONE-KEY App sul vostro smartphone i valori impostati.

ONE-KEY™

Per sapere di più sulla funzione ONE-KEY di questo apparecchio, leggere le istruzioni rapide allegate o consultare la nostra pagina internet www.milwaukee.com/one-key. La ONE-KEY App può essere scaricata dall'App Store o da Google Play sul vostro smartphone.

Se il dispositivo viene disturbato da scariche elettrostatiche, il LED di indicazione della velocità si spegne e non sarà più possibile regolare la velocità. In questo caso occorre estrarre la batteria ricaricabile e la batteria a bottone e reinserirle (vedi pagina 6 e pagina 15). I disturbi causati da scariche elettrostatiche interrompono anche la

comunicazione Bluetooth. In questo caso il collegamento Bluetooth dovrà essere ripristinato manualmente.

Indicatore ONE-KEY™

Luce fissa blu	E' attiva la modalità wireless e può essere configurata tramite l'app ONE-KEY™.
Luce lampeggiante blu	L'utensile comunica con l'app ONE-KEY™.
Luce lampeggiante rossa	L'utensile è stato bloccato per motivi di sicurezza e può essere sbloccato dall'operatore tramite l'app ONE-KEY™.

BATTERIE

Batterie non utilizzate per molto tempo devono essere ricaricate prima dell'uso.

A temperature superiori ai 50°C, la potenza della batteria si riduce.

Evitare di esporre l'accumulatore a surriscaldamento prolungato, dovuto ad esempio ai raggi del sole o ad un impianto di riscaldamento.

Per una ottimale vita utile è necessario ricaricare completamente le batterie dopo l'uso.

Per una più lunga durata, rimuovere le batterie dal caricabatterie quando saranno cariche.

In caso di immagazzinaggio della batteria per più di 30 giorni:

Immagazzinare la batteria a circa 27°C in ambiente asciutto.

Immagazzinare la batteria con carica di circa il 30% - 50%.

Ricaricare la batteria ogni 6 mesi.

DISPOSITIVO ANTISOVRACCARICO ACCUMULATORE

In caso di sovraccarico dell'accumulatore dovuto a consumo molto elevato di corrente, ad es. coppie di serraggio estremamente elevate, bloccaggio della punta, arresto improvviso o cortocircuito, l'elettrotensile romba per 2 secondi e poi si spegne automaticamente.

Per riaccenderlo, rilasciare l'interruttore e poi riaccenderlo.

Se sottoposto a carichi estremi, l'accumulatore può surriscaldarsi. In questo caso l'accumulatore si spegne.

TRASPORTO DI BATTERIE AGLI IONI DI LITIO

Le batterie agli ioni di litio sono soggette alle disposizioni di legge sul trasporto di merce pericolosa.

Il trasporto di queste batterie deve avvenire rispettando le disposizioni e norme locali, nazionali ed internazionali.

- Gli utilizzatori possono trasportare queste batterie su strada senza alcuna restrizione.
- Il trasporto commerciale di batterie agli ioni di litio è regolato dalle disposizioni sul trasporto di merce pericolosa. Le preparazioni al trasporto ed il trasporto stesso devono essere svolti esclusivamente da persone idoneamente istruite. Tutto il processo deve essere gestito in maniera professionale.

Durante il trasporto di batterie occorre tenere conto di quanto segue:

- Assicurarsi che i contatti siano protetti ed isolati per evitare corto circuiti.
- Accertarsi che il gruppo di batterie non possa spostarsi all'interno dell'imballaggio.

- Batterie danneggiate o batterie che perdono liquido non devono essere trasportate.

Per ulteriori informazioni si prega di contattare il proprio trasportatore.

MANUTENZIONE

Le istruzioni di manutenzione sono contenute nella ONE-KEY App.

Usare solo accessori Milwaukee e pezzi di ricambio Milwaukee. Gruppi costruttivi la cui sostituzione non è stata descritta, devono essere fatti cambiare da un punto di servizio di assistenza tecnica al cliente Milwaukee (vedi depliant garanzia/indirizzi assistenza tecnica ai clienti).

In caso di necessità è possibile richiedere un disegno esploso del dispositivo indicando il modello della macchina ed il numero a sei cifre sulla targa di potenza rivolgendosi al centro di assistenza tecnica o direttamente a

Techtronic Industries GmbH, Max-Eyth-Straße 10, 71364 Winnenden, Germany.

SIMBOLI

	ATTENZIONE! AVVERTENZA! PERICOLO!
	Prima di iniziare togliere la batteria dalla macchina.
	Leggere attentamente le istruzioni per l'uso prima di mettere in funzione l'elettrotensile.
	Indossare guanti protettivi!
	Non ingerire batterie a bottone!
	I rifiuti di pile e i rifiuti di apparecchiature elettriche ed elettroniche non devono essere smaltiti insieme ai rifiuti domestici. I rifiuti di pile e di apparecchiature elettriche ed elettroniche devono essere raccolti e smaltiti separatamente.
	Rimuovere i rifiuti di pile e di accumulatori nonché le sorgenti luminose dalle apparecchiature prima di smaltirle. Chiedere alle autorità locali o al rivenditore specializzato dove si trovano i centri di riciclaggio e i punti di raccolta. A seconda dei regolamenti locali, i rivenditori al dettaglio possono essere obbligati a ritirare gratuitamente i rifiuti di pile e i rifiuti di apparecchiature elettriche ed elettroniche. Aiutate a ridurre il fabbisogno di materie prime riutilizzando e riciclando i propri rifiuti di pile e di apparecchiature elettriche ed elettroniche.
	I rifiuti di pile (specialmente di pile agli ioni di litio) e i rifiuti di apparecchiature elettriche ed elettroniche contengono materiali preziosi e riciclabili che possono avere un impatto negativo sull'ambiente e sulla vostra salute se non vengono smaltiti in modo ecologico. Cancellare tutti i dati personali che potrebbero essere presenti sul vostro rifiuto di apparecchiatura prima di procedere allo smaltimento.
n_p	Numero di giri a vuoto
V	Volt
	Corrente continua
	Marchio di conformità europeo
	Marchio di conformità britannico
	Marchio di conformità ucraino
	Marchio di conformità euroasiatico

DATOS TÉCNICOS		ATORNILLADOR DE IMPACTO A BATERÍA	M18 ONEFHWP12	M18 ONEFHIWF12	M18 ONEFHIWF34
Número de producción.....	4671 85 04... ..4671 95 04... ..4672 05 04... ..	000001-999999	000001-999999	000001-999999	000001-999999
 Velocidad en vacío.....	0-950 min ⁻¹	0-1500 min ⁻¹	0-1400 min ⁻¹	0-1300 min ⁻¹	0-800 min ⁻¹
 Número de percusiones.....	0-1150 min ⁻¹	0-2100 min ⁻¹	0-1750 min ⁻¹	0-1850 min ⁻¹	0-850 min ⁻¹
 Velocidad en vacío.....	0-1800 min ⁻¹	0-1800 min ⁻¹	0-1750 min ⁻¹	0-1800 min ⁻¹	0-1800 min ⁻¹
 Número de percusiones.....	0-2400 min ⁻¹	0-2400 min ⁻¹	0-2100 min ⁻¹	0-2400 min ⁻¹	0-2400 min ⁻¹
 Velocidad en vacío.....	0-1800 min ⁻¹	0-1800 min ⁻¹	0-1750 min ⁻¹	0-1800 min ⁻¹	0-1800 min ⁻¹
 Número de percusiones.....	0-2400 min ⁻¹	0-2400 min ⁻¹	0-2100 min ⁻¹	0-2400 min ⁻¹	0-2400 min ⁻¹
Par max.....	1017 Nm.....	1356 Nm.....	1627 Nm.....		
Tamaño máximo de tornillo / de tuerca.....	M 24.....	M33.....	M33.....		
Inserción de herramientas.....	1/2" (13 mm).....	1/2" (13 mm).....	3/4" (19 mm).....		
Voltaje de batería.....	18 V.....	18 V.....	18 V.....		
Peso de acuerdo con el procedimiento EPTA 01/2014 (4,0 Ah / 5,0 Ah).....	3,2 kg.....	3,3 kg.....	3,5 kg.....		
Peso de acuerdo con el procedimiento EPTA 01/2014 (9,0 Ah).....	3,6 kg.....	3,7 kg.....	3,9 kg.....		
Banda(s) de frecuencia Bluetooth.....	2402-2480 MHz.....	2402-2480 MHz.....	2402-2480 MHz.....		
Potencia de alta frecuencia.....	1,8 dBm.....	1,8 dBm.....	1,8 dBm.....		
Versión Bluetooth.....	4.0 BT signal mode.....	4.0 BT signal mode.....	4.0 BT signal mode.....		
Temperatura ambiente recomendada durante el trabajo.....	-18 +50 °C.....	-18 +50 °C.....	-18 +50 °C.....		
Tipos de acumulador recomendados.....	M18B2, M18B4, M18B5, M18B6, M18B9.....				
Cargadores recomendados.....	M12-18C, M12-18AC, M12-18FC, M1418C6.....				

Información sobre ruidos / vibraciones

Determinación de los valores de medición según norma EN 62841.

El nivel de ruido típico del aparato determinado con un filtro A corresponde a:

Presión acústica (Tolerancia K=3dB(A)).....	94,7 dB (A).....	94,9 dB (A).....	98,5 dB (A).....
Resonancia acústica (Tolerancia K=3dB(A)).....	105,7 dB (A).....	105,9 dB (A).....	109,5 dB (A).....

Usar protectores auditivos!

Nivel total de vibraciones (suma vectorial de tres direcciones) determinado según EN 62841.

Valor de vibraciones generadas a:

Apretar tornillos y tuercas de tamaño máximo.....	18,4 m/s ²	16,7 m/s ²	15,9 m/s ²
Tolerancia K=.....	1,5 m/s ²	1,5 m/s ²	1,5 m/s ²

ADVERTENCIA!

El nivel de emisión de ruido y vibración indicado en esta hoja informativa se ha medido de acuerdo con una prueba estandarizada que figura en EN 62841 y se puede usar para comparar una herramienta con otra. Puede ser empleado para una evaluación preliminar de la exposición.

El nivel declarado emisión de vibración y ruido representa las principales aplicaciones de la herramienta. Sin embargo, si la herramienta se utiliza para diferentes aplicaciones, con diferentes accesorios o con un mantenimiento deficiente, la emisión de ruido y vibración puede diferir. Esto puede aumentar significativamente el nivel de exposición durante el periodo total de trabajo.

También se debe tener en cuenta una estimación del nivel de exposición a la vibración y el ruido cuando la herramienta está apagada o cuando está funcionando, pero no está haciendo su trabajo. Esto puede reducir significativamente el nivel de exposición durante el periodo total de trabajo.

Identifique medidas de seguridad adicionales para proteger al operador de los efectos de la vibración o el ruido, como realizar mantenimiento de la herramienta y los accesorios, mantener las manos calientes y organizar las pautas de trabajo.

ADVERTENCIA: Lea todas las advertencias de peligro, instrucciones, ilustraciones y especificaciones suministradas con esta herramienta eléctrica. En caso de no atenerse a las instrucciones siguientes, ello puede ocasionar una descarga eléctrica, un incendio y/o lesión grave.
Guardar todas las advertencias de peligro e instrucciones para futuras consultas

INSTRUCCIONES DE SEGURIDAD PARA ATORNILLADOR DE IMPACTO

¡Utilice protección auditiva! La exposición a niveles de ruido excesivos puede causar pérdida de audición

Sujete el aparato por las superficies de sujeción aisladas cuando realice trabajos en los que el tornillo puede alcanzar líneas de corriente eléctrica ocultas. El contacto del tornillo con una línea conductora de corriente puede poner las partes metálicas del aparato bajo tensión y provocar un choque eléctrico.

INSTRUCCIONES ADICIONALES DE SEGURIDAD Y LABORALES

Utilice un equipo de protección personal. Utilice siempre gafas de seguridad. Se consigue una disminución del riesgo de lesiones cuando se utiliza el equipo de protección adecuado en cada caso, como una máscara de

protección contra el polvo, calzado de suela antideslizante, un casco protector o una protección auditiva.

El polvo que se produce durante estos trabajos puede ser nocivo a la salud; es por ello aconsejable que no penetre al cuerpo. Utilice por ello una máscara protectora contra polvo.

No se deben trabajar materiales que conlleven un riesgo para la salud (por ej. amianto).

¡En caso de que se bloquee el útil, el aparato se debe desconectar inmediatamente! No vuelva a conectar el aparato, mientras el útil esté bloqueado; se podría producir un rechazo debido a la reacción de retroceso brusca. Averigüe y elimine la causa del bloqueo del útil, teniendo en cuenta las indicaciones de seguridad.

Causas posibles para ello pueden ser:

- Atascamiento o bloqueo en la pieza de trabajo
- Rotura del material con el que está trabajando
- Sobrecarga de la herramienta eléctrica

No introduzca las manos en la máquina mientras ésta se encuentra en funcionamiento.

La herramienta intercambiable tiene bordes afilados y se puede calentar durante su uso.

¡ADVERTENCIA! Riesgo de cortes y quemaduras

- al manipular las herramientas intercambiables
- al deponer el aparato.

Llevar guantes de protección al manipular las herramientas intercambiables.

Nunca se debe intentar limpiar el polvo o viruta procedente del taladrado con la máquina en funcionamiento.

Para trabajar en paredes, techo o suelo, tenga cuidado para evitar los cables eléctricos y tuberías de gas o agua.

Fije la pieza de trabajo con un dispositivo de fijación. Las piezas de trabajo no fijadas pueden causar lesiones graves y deterioros.

Retire la batería antes de comenzar cualquier trabajo en la máquina.

No tire las baterías usadas a la basura ni al fuego. Los Distribuidores Milwaukee ofrecen un servicio de recogida de baterías antiguas para proteger el medio ambiente.

No almacene la batería con objetos metálicos (riesgo de cortocircuito).

Recargar solamente los acumuladores del Sistema M18 en cargadores M18. No intentar recargar acumuladores de otros sistemas.

No abra nunca las baterías ni los cargadores y guárdelos sólo en lugares secos. Protéjalos de la humedad en todo momento.

En caso de sobrecarga o alta temperatura, pueden llegar a producirse escapes de ácido provenientes de la batería. En caso de contacto con éste, limpie inmediatamente la zona con agua y jabón. Si el contacto es en los ojos, límpiese concienzudamente con agua durante 10 minutos y acuda inmediatamente a un médico:

¡ADVERTENCIA! Este aparato contiene una pila de botón de litio. Una pila nueva o usada puede causar graves quemaduras internas y provocar la muerte en menos de 2 horas en caso de ingestión o penetración en el organismo. Asegure en todo momento la tapa de las baterías.

Si la tapa no cierra de forma segura, desconecte el aparato, retire la batería y manténgala alejada del alcance de niños.

Si usted piensa que una batería fue ingerida o penetró en el organismo, deberá acudir inmediatamente a un médico.

Advertencia! Para reducir el riesgo de incendio, lesión personales y daños al producto debido a un cortocircuito, no sumerja nunca la herramienta, el paquete de baterías o el cargador en líquido ni permita que fluya un fluido dentro de ellos. Los fluidos corrosivos o conductivos, como el agua de mar, ciertos productos químicos industriales y blanqueadores o lejías que contienen, etc., Pueden causar un cortocircuito.

APLICACIÓN DE ACUERDO A LA FINALIDAD

El destornillador de golpe de acumulador puede emplearse de manera universal para fijar y soltar tornillos y tuercas, siendo independiente de una conexión a la red.

No utilice este producto para ninguna otra aplicación que no sea su uso normal.

DECLARACIÓN CE DE CONFORMIDAD

Declaramos como fabricante y bajo nuestra responsabilidad que el producto descrito bajo "Datos técnicos" está en conformidad con todas las normas relevantes de las directivas 2011/65/UE (RoHS), 2014/53/UE, 2006/42/CE y con las siguientes normas o documentos normalizados:

EN 62841-1:2015
EN 62841-2-2:2014
EN IEC 55014-1:2021
EN IEC 55014-2:2021
EN 62479:2010
EN 301 489-1 V2.2.3
EN 301 489-17 V3.1
EN 300 328V2.2.2
EN IEC 63000:2018

Winnenden, 2022-11-01

Alexander Krug
Managing Director



Autorizado para la redacción de los documentos técnicos.

Techron Industries GmbH
Max-Eyth-Straße 10

71364 Winnenden
Germany

MANEJO

Nota: Tras la sujeción, se recomienda comprobar siempre el par de apriete con una llave dinamométrica.

El par de apriete se ve afectado por numerosos factores, entre los cuales se encuentran los siguientes.

- Estado de carga de la batería - Si la batería está descargada, se produce una caída de tensión y el par de apriete disminuye.
- Velocidades de giro - Si se usa la herramienta a baja velocidad, se produce un par de apriete menor.
- Posición de sujeción - La forma y la manera cómo se soporta la herramienta o el elemento de sujeción afectan el par de apriete.
- Acoplamiento giratorio / enchufable - El uso de un acoplamiento giratorio o enchufable de un tamaño incorrecto o el uso de accesorios no resistentes a los golpes reduce el par de apriete.
- Uso de accesorios y alargadores - Dependiendo de los accesorios y del alargador se puede producir una reducción del par de apriete del atornillador de impacto.
- Tornillo / tuerca - El par de apriete puede variar dependiendo del diámetro, longitud y clase de resistencia del tornillo o de la tuerca.
- Estado de los elementos de sujeción - Los elementos de sujeción sucios, corroidos, secos o lubricados pueden afectar el par de apriete.
- Las piezas que se han de atornillar - La resistencia de las piezas que se han de atornillar, así como de cada componente existente entre ellas (seco o engrasado, blando o duro, arandela, junta o arandela plana) puede afectar el par de apriete.

TÉCNICAS PARA IMPACTAR

Mientras más tiempo se impacta a un tornillo, tuerca o birlo, más apretado quedará.

Para ayudar a prevenir dañar tanto las piezas de trabajo como los sujetadores, evite impactarlos en exceso.

Sea particularmente cuidadoso cuando impacte sujetadores que sean de tamaño pequeño ya que estos requerirán menos impactos para alcanzar el par de apriete deseado.

Practique impactando con diferentes tipos de sujetadores para que observe el tiempo que se requiere impactar para alcanzar el par de apriete deseado.

Verifique el par de apriete usando una llave dinamométrica manual.

Si los sujetadores quedarán muy apretados, reduzca el tiempo de impacto.

Si no están suficientemente apretados, aumente el tiempo de impacto.

El aceite, la suciedad, el óxido u otro material en los hilos o bajo la cabeza del sujetador afecta el grado de apriete.

El par de apriete requerido para aflojar un sujetador está, en promedio, entre el 75% y el 80% del par de apriete que fue requerido para apretarlo, dependiendo esto de las condiciones de las superficies de contacto.

En los trabajos que lleven juntas ligeras, lleve cada sujetador hasta un par de apriete relativamente y, luego, use una llave dinamométrica manual para el apriete final.

SELECCIÓN DEL MODO OPERATIVO

Antes de cambiar el modo operativo, esperar a que la unidad se pare por completo. Para cambiar los ajustes, pulsar el botón . Pulsar el botón WLAN  para cambiar los ajustes predeterminados usando la app ONE-KEY de su teléfono inteligente.

ONE-KEY™

Para obtener más información sobre el funcionamiento de esta herramienta, sírvase leer la guía de inicio rápido del anexo o visite nuestra página web en internet www.milwaukeeetool.com/one-key. Puede descargar la app ONE-KEY de la App Store o de Google Play en su teléfono inteligente.

Cuando el aparato se ve afectado por descargas electrostáticas, se apaga el indicador LED de velocidad, no siendo posible seguir regulando la velocidad. Si esto sucede, extraer la batería de recambio y la pila de botón y volver a colocarlas (véanse las páginas 6 y 15).

Las incidencias producidas por descargas electrostáticas también pueden provocar la interrupción de la comunicación de Bluetooth. En este caso, es necesario volver a restaurar manualmente la conexión de Bluetooth.

Indicador ONE-KEY™

Iluminación en azul	La conexión por radio está activa y se puede ajustar mediante la app ONE-KEY™.
Parpadeo en azul	La herramienta está comunicando con la app ONE-KEY™.
Parpadeo en rojo	Se ha bloqueado la herramienta por razones de seguridad y puede ser desbloqueada por el operador mediante la app ONE-KEY™.

BATERIA

Las baterías no utilizadas durante cierto tiempo deben ser recargadas antes de usar.

Las temperaturas superiores a 50°C reducen el rendimiento de la batería. Evite una exposición excesiva a fuentes de calor o al sol (riesgo de sobrecalentamiento).

Los puntos de contacto de los cargadores y las baterías se deben mantener limpios.

Para un tiempo óptimo de vida, deberán cargarse las baterías completamente después de su uso.

Para garantizar la máxima capacidad y vida útil, las baterías recargables se deberían retirar del cargador una vez finalizada la carga.

En caso de almacenar la batería recargable más de 30 días:

Almacenar la batería recargable en un lugar seco a una temperatura de aproximadamente 27°C.

Almacenar la batería recargable con un estado de carga del 30% y 50% aproximadamente.

Recargar la batería cada 6 meses.

PROTECCIÓN CONTRA SOBRECARGA DE LA BATERÍA

En caso de sobrecarga del acumulador por consumo muy elevado de corriente, por ej. debido a pares muy elevados, agarrotamiento del taladro, parada repentina o cortocircuito, la herramienta eléctrica zumbará durante 2 segundos y se desconectará automáticamente.

Para reconectarla, libere primero el gatillo interruptor y después conectarla de nuevo.

Bajo cargas extremas, el acumulador se puede calentar mucho. En este caso desconectar el acumulador.

TRANSPORTE DE BATERÍAS DE IONES DE LITIO

Las baterías de iones de litio caen bajo las disposiciones legales relativas al transporte de mercancías peligrosas.

El transporte de estas baterías recargables debe llevarse a cabo, observando las normas y disposiciones locales, nacionales e internacionales.

- Los consumidores pueden transportar estas baterías recargables sin el menor reparo en la calle.
- El transporte comercial de baterías recargables de iones de litio por empresas de transportes está sometido a las disposiciones del transporte de mercancías peligrosas. Las preparaciones para el envío y el transporte deben ser llevados a cabo exclusivamente por personas instruidas adecuadamente. El proceso completo debe ser supervisado por personal competente.

Los siguientes puntos se deben observar para el transporte de las baterías recargables:

- Se debe asegurar que los contactos estén protegidos y aislados para evitar que se produzcan cortocircuitos.
- Preste atención a que el conjunto de baterías recargables no se pueda desplazar dentro del envase.
- Las baterías recargables deterioradas o derramadas no se deben transportar.

Rogamos que para cualquier información adicional se dirija a su empresa de transportes.

MANTENIMIENTO

Encontrará las instrucciones de mantenimiento en la app ONE-KEY.

Utilice solamente accesorios y repuestos Milwaukee. En caso de necesitar reemplazar componentes no descritos, contacte con cualquiera de nuestras estaciones de servicio Milwaukee (consultar lista de servicio técnicos)

Puede solicitar, en caso necesario, una vista despiezada del aparato bajo indicación del tipo de máquina y el número de seis dígitos en la placa indicadora de potencia en su Servicio de Postventa o directamente en Techtronic Industries GmbH, Max-Eyth-Straße 10, 71364 Winnenden, Germany.

SÍMBOLOS

	¡ATENCIÓN! ¡ADVERTENCIA! ¡PELIGRO!
	Retire la batería antes de comenzar cualquier trabajo en la máquina.
	Lea las instrucciones detenidamente antes de conectar la herramienta
	Usar guantes protectores
	¡No ingiera las pilas de botón!
	Los residuos de pilas y de aparatos eléctricos y electrónicos no se deben desechar junto con la basura doméstica. Los residuos de pilas y de aparatos eléctricos y electrónicos se deben recoger y desechar por separado. Retire los residuos de pilas y acumuladores, así como las fuentes de iluminación de los aparatos antes de desecharlos. Infórmese en las autoridades locales o en su distribuidor especializado sobre los centros de reciclaje y los puntos de recogida. Dependiendo de las disposiciones locales al respecto, los distribuidores minoristas pueden estar obligados a aceptar de forma gratuita la devolución de residuos de pilas, aparatos eléctricos y electrónicos. Contribuya mediante la reutilización y el reciclaje de sus residuos de pilas y de aparatos eléctricos y electrónicos a reducir la demanda de materias primas. Los residuos de pilas (sobre todo de pilas de iones de litio) y de aparatos eléctricos y electrónicos contienen valiosos materiales reutilizables que pueden tener efectos negativos para el medio ambiente y su salud si no son desechados de forma respetuosa con el medio ambiente. Antes de desecharlos, elimine los datos personales que podrá haber en los residuos de sus aparatos.
	Velocidad en vacío
	Tensión
	Corriente continua
	Marcado de conformidad europeo
	Marcado de conformidad británico
	Marcado de conformidad ucraniano
	Marcado de conformidad euroasiático

CARACTERÍSTICAS TÉCNICAS APARAFUSADORA DE IMPACTO A BATERÍA

	M18 ONEFHWP12	M18 ONEFHIWF12	M18 ONEFHIWF34
Número de produção	4671 85 04... ..000001-999999	4671 95 04... ..000001-999999	4672 05 04... ..000001-999999
Velocidade em vazio.....	0-950 min ⁻¹	0-550 min ⁻¹	0-800 min ⁻¹
Número de impactos	0-1150 min ⁻¹	0-950 min ⁻¹	0-850 min ⁻¹
Velocidade em vazio.....	0-1500 min ⁻¹	0-1400 min ⁻¹	0-1300 min ⁻¹
Número de impactos	0-2100 min ⁻¹	0-1750 min ⁻¹	0-1850 min ⁻¹
Velocidade em vazio.....	0-1800 min ⁻¹	0-1750 min ⁻¹	0-1800 min ⁻¹
Número de impactos	0-2400 min ⁻¹	0-2100 min ⁻¹	0-2400 min ⁻¹
Velocidade em vazio.....	0-1800 min ⁻¹	0-1750 min ⁻¹	0-1800 min ⁻¹
Número de impactos	0-2400 min ⁻¹	0-2100 min ⁻¹	0-2400 min ⁻¹
Binário max	1017 Nm	1356 Nm	1627 Nm
Tamanho máximo do parafuso / porca	M 24	M33	M33
Recepção de pontas	1/2" (13 mm)	1/2" (13 mm)	3/4" (19 mm)
Tensão do acumulador.....	18 V	18 V	18 V
Peso nos termos do procedimento-EPTA 01/2014 (4,0 Ah / 5,0 Ah)	3,2 kg	3,3 kg	3,5 kg
Peso nos termos do procedimento-EPTA 01/2014 (4,0 Ah / 5,0 Ah)	3,6 kg	3,7 kg	3,9 kg
Banda de frequência Bluetooth (bandas de frequência).....	2402-2480 MHz	2402-2480 MHz	2402-2480 MHz
Potência de alta frequência	1,8 dBm	1,8 dBm	1,8 dBm
Versão Bluetooth.....	4.0 BT signal mode	4.0 BT signal mode	4.0 BT signal mode
Temperatura ambiente recomendada ao trabalhar.....	-18 +50 °C	-18 +50 °C	-18 +50 °C
Tipos de baterías recomendadas	M18B2, M18B4, M18B5, M18B6, M18B9		
Carregadores recomendados	M12-18C, M12-18AC, M12-18FC, M1418C6		

Informações sobre ruído/vibração

Valores de medida de acordo com EN 62841.

O nível de ruído avaliado A do aparelho é tipicamente:

Nível da pressão de ruído (Incertez K=3dB(A))	94,7 dB (A)	94,9 dB (A)	98,5 dB (A)
Nível da potência de ruído (Incertez K=3dB(A)).....	105,7 dB (A)	105,9 dB (A)	109,5 dB (A)

Use protectores auriculares!

Valores totais de vibração (soma dos vectores das três direcções) determinadas conforme EN 62841.

Valor de emissão de vibração a_h

Apertar parafusos e porcas com o tamanho máximo.....	18,4 m/s ²	16,7 m/s ²	15,9 m/s ²
Incerteza K=.....	1,5 m/s ²	1,5 m/s ²	1,5 m/s ²

ATENÇÃO!

O nível de emissão de ruído e vibração fornecido nesta ficha de informações foi medido de acordo com um teste padronizado que se encontra na norma EN 62841, podendo ser utilizado para fazer comparações entre ferramentas. Pode ser utilizado para fazer uma avaliação preliminar da exposição.

O nível de emissão de ruído e vibração declarado representa as principais aplicações da ferramenta. No entanto, se a ferramenta for utilizada para aplicações diferentes ou com acessórios distintos, ou se a sua manutenção for deficiente, a emissão de ruídos e vibrações poderá diferir. Isso poderá aumentar significativamente o nível de exposição ao longo do período de trabalho total.

A estimativa do nível de exposição à vibração e ruído também deve ter em conta os tempos em que a ferramenta, quer desligada quer em funcionamento, não está realmente a trabalhar. Isso poderá reduzir significativamente o nível de exposição ao longo do período de trabalho total.

Identifique medidas de segurança adicionais para proteger o operador contra os efeitos da vibração e/ou ruído, tais como: fazer a manutenção da ferramenta e dos acessórios, manter as mãos quentes, organizar padrões de trabalho.

⚠ ADVERTÊNCIA Devem ser lidas todas as advertências de segurança, instruções, ilustrações e especificações fornecidas com esta ferramenta elétrica. O desrespeito das advertências e instruções apresentadas abaixo pode causar choque elétrico, incêndio e/ou graves lesões.
Guarde bem todas as advertências e instruções para futura referência.

⚠ INSTRUÇÕES DE SEGURANÇA PARA APARAFUSADORA DE IMPACTO

Sempre use a protecção dos ouvidos. A influência de ruídos pode causar surdez.

Segure o aparelho pela superfície isoladora do punho, se executar trabalhos nos quais o parafuso possa tocar em linhas eléctricas ocultas. O contacto do parafuso com uma linha sob tensão pode também colocar peças metálicas do aparelho sob tensão e provocar um choque eléctrico.

⚠ INSTRUÇÕES DE SEGURANÇA E TRABALHO SUPLEMENTARES

Use o equipamento de protecção pessoal. Use sempre óculos de protecção. A utilização do equipamento de protecção adequado, por exemplo, uma máscara de protecção contra pó, calçados antiderrapantes, capacete ou protecção auditiva, reduz o risco de ferir-se.

O pó que resulta ao trabalhar pode ser nocivo para a saúde, por isso não devendo penetrar no corpo. Use uma máscara de protecção contra pó apropriada.

Não devem ser processados materiais que representem um perigo para a saúde (p. ex. asbesto).

Desligue o aparelho imediatamente, quando a ferramenta de inserção bloquear! Não ligue o aparelho novamente durante o bloqueio da ferramenta de inserção, pois isso pode levar a um recuo repentino com uma alta força reactiva. Verifique e elimine a causa do bloqueio da ferramenta de inserção, observando as instruções de segurança.

Causas possíveis podem ser:

- Emperramento na peça a trabalhar
- Material a processar rompido
- Sobrecarga da ferramenta eléctrica

Não toque na máquina em operação.

A ferramenta tem arestas afiadas e pode ficar quente durante a utilização.

ADVERTÊNCIA! Perigo de corte e queimadura
– ao manuseio das ferramentas
– ao depositar o dispositivo.

Use luvas de proteção no manuseio das ferramentas.

Não remover aparas ou lascas enquanto a máquina trabalha.

Ao trabalhar em paredes, tectos e soalhos prestar atenção a que não sejam atingidos cabos eléctricos e canalizações de gás e água.

Fixe a peça a trabalhar com um dispositivo de fixação. Peças a trabalhar não fixadas podem levar a feridas graves e danos sérios.

Antes de efectuar qualquer intervenção na máquina retirar o bloco acumulador.

Não queimar acumuladores gastos nem deitá-los no lixo doméstico. A Milwaukee possui uma eliminação de acumuladores gastos que respeita o meio ambiente.

Não guardar acumuladores junto com objectos metálicos (perigo de curto-circuito).

Use apenas carregadores do Sistema M18 para recarregar os acumuladores do Sistema M18. Não utilize acumuladores de outros sistemas.

Carregadores só devem ser utilizados em recintos secos.

Em caso de cargas ou temperaturas extremas, um acumulador de substituição danificado poderá verter líquido de bateria. Se entrar em contacto com este líquido, deverá lavar-se imediatamente com água e sabão. Em caso de contacto com os olhos, enxague-os bem e de imediato durante pelo menos 10 minutos e consulte um médico o mais depressa possível.

AVISO! Este aparelho contém uma pilha de botão de lítio. Uma pilha nova ou usada pode causar feridas internas graves ou levar à morte em menos de 2 horas, se ela for ingerida ou entrar no corpo. Sempre fixe bem a tampa da caixa da pilha. Se ela não fechar seguramente, desligue o aparelho, remova a pilha e mantenha-a fora do alcance de crianças. Se pensar que ingeriu pilhas ou que elas entraram no seu corpo, consulte imediatamente um médico.

Advertência! Para evitar o risco de incêndio, de feridas ou de danificação do produto causado por um curto-circuito, não imerja a bateria intercambiável ou o carregador em líquidos e assegure-se de que líquidos não penetrem nos aparelhos ou nas baterias. Líquidos corrosivos ou condutivos como água salgada, determinadas substâncias químicas ou produtos que contenham branqueadores podem causar um curto-circuito.

UTILIZAÇÃO AUTORIZADA

A aparafusadora de percussão sem cabo pode ser utilizada universalmente para fixar e soltar parafusos e porcas, independente duma ligação à rede.

Não use este produto de outra maneira sem ser a normal para o qual foi concebido.

DECLARAÇÃO CE DE CONFORMIDADE

Como fabricante, declaramos sob responsabilidade exclusiva, que o produto descrito sob "Dados Técnicos" corresponde com todas as disposições relevantes das diretivas 2011/65/UE (RoHS), 2014/53/UE, 2006/42/CE e dos seguintes documentos normativos harmonizados:

EN 62841-1:2015
EN 62841-2-2:2014
EN IEC 55014-1:2021
EN IEC 55014-2:2021
EN 62479:2010
EN 301 489-1 V2.2.3
EN 301 489-1 V3.1.1
EN 300 328V2.2.2
EN IEC 63000:2018

Winnenden, 2022-11-01

Alexander Krug
Managing Director



Autorizado a reunir a documentação técnica.

Techtronic Industries GmbH
Max-Eyth-Straße 10
71364 Winnenden
Germany

COMANDO

Nota: Recomenda-se sempre verificar o torque de aperto com uma chave dinamométrica após a fixação.

O torque de aperto é influenciado por muitos fatores, inclusive os seguintes.

- Estado de carga da bateria - Quando a bateria estiver esgotada, a tensão cairá e o torque de aperto será reduzido.
- Torques - A utilização da ferramenta com baixa velocidade leva a um menor torque de aperto.
- Posição de fixação - A maneira de segurar a ferramenta ou o elemento de fixação influencia o torque de aperto.
- Inserção rotativa/de encaixe - O uso de uma inserção rotativa ou de encaixe de tamanho errado ou o uso de acessórios não resistentes ao impacto reduz o torque de aperto.
- Uso de acessórios e extensões - Dependendo dos acessórios ou da extensão, o torque de aperto da chave de impacto pode ser reduzido.
- Parafuso/Porca - Dependendo do diâmetro, do comprimento e da classe de resistência do parafuso/da porca, o torque de aperto pode variar.
- Estado dos elementos de fixação - Elementos de fixação sujos, corroídos, secos ou lubrificados podem influenciar o torque de aperto.
- Peças a aparafusar - A resistência das peças a aparafusar e cada componente entre elas (secos ou lubrificados, macios ou duros, disco, vedação ou arruela) pode influenciar o torque de aperto.

TÉCNICAS DE APARAFUSAMENTO

Quanto mais tempo um pino, um parafuso ou uma porca for aparafusado com a chave de impacto, tanto mais forte ele será apertado.

Para evitar danos dos meios de fixação ou das peças evite um período de impacto excessivo.

Tenha cuidado particular com meios de fixação pequenos, uma vez que precisam de menos impactos para alcançar um torque de aperto ideal.

Experimente com vários meios de fixação e observe o tempo que precisa para alcançar o torque de aperto desejado.

Verifique o torque de aperto com uma chave dinamométrica manual.

Se o torque de aperto for muito grande, reduza o tempo de impacto.

Se o torque de aperto for insuficiente, aumente o tempo de impacto.

Óleo, sujeira, ferrugem e outras impurezas nas roscas ou abaixo da cabeça do meio de fixação influenciam o torque de aperto.

O torque necessário para soltar um meio de fixação na média é 75% a 80% do torque de aperto, dependendo do estado das superfícies de contato.

Execute trabalhos de aparafusamento leves com um torque de aperto relativamente pequeno e use uma chave dinamométrica manual para apertar definitivamente.

SELEÇÃO DO MODO DE OPERAÇÃO

Aguarde a parada completa da ferramenta antes de mudar o modo. Pressione o botão de seleção para mudar os ajustes. Selecione a tecla WLAN para mudar os ajustes padrão através do aplicativo ONE-KEY no seu smartphone.

ONE-KEY™

Para aprender mais sobre a função ONE-KEY para esta ferramenta, consulte o Guia de Início Rápido fornecido com este produto ou a www.milwaukeeool.com/one-key. Para baixar o app ONE-KEY visite a App Store ou a Google Play com o seu smartphone.

Se houver interferências do aparelho devido a descargas eletrostáticas, o indicador de velocidade LED se desligará e não será mais possível regular a

velocidade. Neste caso, remova o bloco acumulador e a pilha de botão e insira-os novamente (veja a página 6 e a página 15). Interferências causadas por descargas eletrostáticas também interrompem a comunicação através da função Bluetooth. Neste caso, será necessário restabelecer a ligação Bluetooth manualmente.

Indicador ONE-KEY™

Luz azul acesa	A ligação rádio está ativa e pode ser ajustada através do aplicativo ONE-KEY™.
Luz azul piscando	A ferramenta comunica com o aplicativo ONE-KEY™.
Luz vermelha piscando	A ferramenta foi bloqueada por razões de segurança e pode ser desbloqueada pelo utilizador através do aplicativo ONE-KEY™.

ACUMULADOR

Acumuladores não utilizados durante algum tempo devem ser recarregados antes da sua utilização.

Temperaturas acima de 50°C reduzem a capacidade do bloco acumulador. Evitar exposição prolongada ao sol ou a caloríferos.

Mantenha limpos os contactos eléctricos no carregador e no bloco acumulador.

Para uma vida útil ótima das baterias, terá que carregá-las plenamente após a sua utilização.

Para assegurar uma vida útil longa, o pacote de bateria deve ser removido da carregadora depois do carregamento.

Se o pacote de bateria for armazenado por mais de 30 dias: Armazene o pacote de bateria com aprox. 27°C em um lugar seco. Armazene o pacote de bateria com aprox. 30%-50% da carga completa. Carregue o pacote de bateria novamente de 6 em 6 meses.

PROTECÇÃO DE SOBRECARGA DE BATERIA

No caso de sobrecarga da bateria devido a um consumo de corrente demasiado elevado, por exemplo um binário de rotação extremamente elevado, um bloqueio da broca, uma paragem repentina ou um curto-circuito, a ferramenta eléctrica vibra durante 2 segundos e desliga-se automaticamente.

Para a ligar novamente, desligar e voltar a ligar o interruptor. Sob condições extremas, a bateria pode aquecer demasiado. Neste caso a bateria desliga-se.

TRANSPORTE DE BATERIAS DE IÃO-LÍTIO

Baterias de ião-lítio estão sujeitas às disposições da legislação relativa às substâncias perigosas.

O transporte destas baterias deve ser efetuado de acordo com as disposições e os regulamentos locais, nacionais e internacionais.

- O utilizador pode efetuar o transporte rodoviário destas baterias sem restrições.

- O transporte comercial de baterias de ião-lítio por terceiros está sujeito aos regulamentos relativos às substâncias perigosas. A preparação do transporte e o transporte devem ser executados exclusivamente por pessoas instruídas e o processo deve ser acompanhado pelos especialistas correspondentes.

Observe o seguinte no transporte de baterias:

- Assegure-se de que os contactos terminais estejam protegidos e isolados para evitar um curto-circuito.
- Assegure-se de que o bloco da bateria esteja protegido contra movimentos na embalagem.
- Não transporte baterias danificadas ou que tenham fuga. Para instruções mais detalhadas consulte a companhia de transportes

MANUTENÇÃO

Instruções de manutenção constam no app ONE-KEY.

Utilizar apenas acessórios Milwaukee e peças sobresselentes Milwaukee. Os componentes cuja substituição não esteja descrita devem ser

substituídos num serviço de assistência técnica Milwaukee (consultar a brochura relativa à garantia/moradas dos serviços de assistência técnica).

Se for necessário, um desenho de explosão do aparelho pode ser solicitado do seu posto de assistência ao cliente ou directamente da Techtronic Industries GmbH, Max-Eyth-Straße 10, 71364 Winnenden, Alemanha, indicando o tipo da máquina e o número de seis posições na chapa indicadora da potência.

SYMBOLE

	ATENÇÃO! PERIGO!
	Antes de efectuar qualquer intervenção na máquina retirar o bloco acumulador.
	Leia atentamente o manual de instruções antes de colocar a máquina em funcionamento.
	Use luvas de protecção!
	Não ingira as pilhas de botão!
	Resíduos de pilhas, resíduos de equipamentos eléctricos e electrónicos não devem ser descartados com o lixo doméstico. Resíduos de pilhas, resíduos de equipamentos eléctricos e electrónicos devem ser recolhidos e descartados separadamente. Remove os resíduos de pilhas, os resíduos de acumuladores e as luzes antes de descartar os equipamentos. Informe-se sobre os centros de reciclagem e os postos de coleta nas autoridades locais ou no seu vendedor autorizado. Dependendo dos regulamentos locais, os retalhistas podem ser obrigados a retomar gratuitamente os resíduos de pilhas e os resíduos de equipamentos eléctricos e electrónicos. Contribua a reduzir as necessidades de matérias-primas, reutilizando e reciclando os seus resíduos de pilhas e os seus resíduos de equipamentos eléctricos e electrónicos. Resíduos de pilhas (particularmente pilhas de íon lítio), resíduos de equipamentos eléctricos e electrónicos contêm materiais valiosos e reutilizáveis que podem ter efeitos negativos para o meio ambiente e a sua saúde. Apague eventuais dados pessoais existentes no seu resíduo de equipamento antes de descartá-lo.
n_0	Velocidade em vazio
v	Tensão
	Corrente contínua
	Marca de Conformidade Europeia
	Marca de Conformidade Britânica
	Marca de Conformidade Ucraniana
	Marca de Conformidade Eurasiática

TECHNISCHE GEGEVENS ACCU-SLAGMOERSLEUTEL M18 ONEFHWP12 M18 ONEFHWF12 M18 ONEFHWF34

Productienummer	4671 85 04... ...000001-999999	4671 95 04... ...000001-999999	4672 05 04... ...000001-999999
Onbelast toerental	0-950 min ⁻¹	0-550 min ⁻¹	0-800 min ⁻¹
Aantal slagen	0-1150 min ⁻¹	0-950 min ⁻¹	0-850 min ⁻¹
Onbelast toerental	0-1500 min ⁻¹	0-1400 min ⁻¹	0-1300 min ⁻¹
Aantal slagen	0-2100 min ⁻¹	0-1750 min ⁻¹	0-1850 min ⁻¹
Onbelast toerental	0-1800 min ⁻¹	0-1750 min ⁻¹	0-1800 min ⁻¹
Aantal slagen	0-2400 min ⁻¹	0-2100 min ⁻¹	0-2400 min ⁻¹
Onbelast toerental	0-1800 min ⁻¹	0-1750 min ⁻¹	0-1800 min ⁻¹
Aantal slagen	0-2400 min ⁻¹	0-2100 min ⁻¹	0-2400 min ⁻¹

Draaimoment max	1017 Nm	1356 Nm	1627 Nm
Maximale schroefgrootte / moergrootte	M 24	M33	M33
Werktuigopname	1/2" (13 mm)	1/2" (13 mm)	3/4" (19 mm)
Spanning wisselakku	18 V	18 V	18 V
Gewicht volgens de EPTA-procedure 01/2014 (4,0 Ah / 5,0 Ah)	3,2 kg	3,3 kg	3,5 kg
Gewicht volgens de EPTA-procedure 01/2014 (9,0 Ah)	3,6 kg	3,7 kg	3,9 kg
Bluetooth-frequentieband (frequentiebanden)	2402-2480 MHz	2402-2480 MHz	2402-2480 MHz
Hoogfrequent vermogen	1,8 dBm	1,8 dBm	1,8 dBm
Bluetooth-versie	4.0 BT signal mode	4.0 BT signal mode	4.0 BT signal mode
Aanbevolen omgevingstemperatuur tijdens het werken	-18 ... +50 °C	-18 ... +50 °C	-18 ... +50 °C
Aanbevolen accutypes	M18B2, M18B4, M18B5, M18B6, M18B9		
Aanbevolen laadtoestellen	M12-18C, M12-18AC, M12-18FC, M1418C6		

Geluids-/trillingsinformatie
 Meetwaarden vastgesteld volgens EN 62841.
 Het kenmerkende A-gewogen geluidsniveau van de machine bedraagt:
 Geluidsdruk niveau (Onzekerheid K=3dB(A)) 94,7 dB (A) 94,9 dB (A) 98,5 dB (A)
 Geluidsvermogen niveau (Onzekerheid K=3dB(A)) 105,7 dB (A) 105,9 dB (A) 109,5 dB (A)

Draag oorbeschermers!
 Totale trillingswaarden (vectorsom van drie richtingen) bepaald volgens EN 62841.
 Trillingsemissiewaarde a_w
 Vastdraaien van schroeven en moeren van maximale grootte 18,4 m/s² 16,7 m/s² 15,9 m/s²
 Onzekerheid K= 1,5 m/s² 1,5 m/s² 1,5 m/s²

WAARSCHUWING!
 De in dit informatieblad vermelde trillings- en geluidsniveaus zijn gemeten in overeenstemming met een standaard testmethode conform EN 62841 en kunnen worden gebruikt om gereedschap met elkaar te vergelijken. Deze kunnen ook worden gebruikt voor het vooraf evalueren van de blootstelling.
 De vermelde trillings- en geluidsniveaus gelden voor de meest gebruikelijke toepassingen van het gereedschap. Wanneer het gereedschap echter voor andere doeleinden of met andere hulpstukken gebruikt wordt of niet naar behoren onderhouden wordt, kan de mate van blootstelling over de hele werkperiode aanzienlijk hoger uitvallen.

Voor een nauwkeurige inschatting van de blootstelling aan trillingen en geluid moet ook de tijd in aanmerking worden genomen die het apparaat uitgeschakeld is of weliswaar loopt, maar niet werkelijk in gebruik is. Dit kan de waarde van de mate aan blootstelling over de hele werkperiode aanzienlijk verminderen.

Bepaal extra veiligheidsmaatregelen ter bescherming van de gebruiker tegen de gevolgen van trillingen en/of geluid, bijvoorbeeld: onderhoud van het gereedschap en hulpstukken, warmhouden van de handen, organisatie van de werkprocessen.

WAARSCHUWING! Lees alle veiligheidswaarschuwingen, voorschriften, afbeeldingen en specificaties voor dit elektrische gereedschap. Als de onderstaande waarschuwingen niet worden opgevolgd, kan dit een elektrische schok, brand of ernstig letsel tot gevolg hebben.
Bewaar alle waarschuwingen en voorschriften voor toekomstig gebruik.

VEILIGHEIDSLINSTRUCTIES VOOR SLAGMOERSLEUTEL
Draag oorbeschermers. Blootstelling aan geluid kan het gehoor beschadigen.
Houd het apparaat alléén vast aan de geïsoleerde grijpvlakken als u werkzaamheden uitvoert waarbij de schroef verborgen stroomleidingen zou kunnen raken. Het contact van de schroef met een spanningvoerende leiding kan de metalen apparaatdelen onder spanning zetten en zo tot een elektrische schok leiden.

VERDERE VEILIGHEIDS- EN WERKINSTRUCTIES
 Draag persoonlijke veiligheidsuitrusting. Draag altijd een veiligheidsbril. Door het dragen van een geschikte veiligheidsuitrusting zoals een stofmasker, slipvast schoeisel, een veiligheidshelm of gehoorbescherming, vermindert u het risico voor letsel.

Het gedurende het werken vrijkomende stof is doorgaans schadelijk voor de gezondheid en mag niet met het lichaam in aanraking komen. Draag derhalve een geschikt stofbeschermsmasker.

Het is niet toegestaan, materialen te bewerken waarvan een gezondheidsgevaar uitgaat (bijv. asbest).

Schakel het apparaat onmiddellijk uit als het gereedschap blokkeert! Schakel het apparaat niet in zolang het gereedschap geblokkeerd is; dit zou een terugslag met een hoog reactiemoment kunnen veroorzaken. Achterhaal en verhelp de oorzaak voor de blokkering van het gereedschap met inachtneming van de veiligheidsinstructies.

Mogelijke oorzaken voor de blokkering:
 • kantelen in het te bewerken werkstuk
 • doorbreken van het te bewerken materiaal
 • overbelasting van het elektrische gereedschap

Grijp niet in de lopende machine.
 Het inzetgereedschap heeft scherpe randen en kan tijdens het gebruik heet worden.

WAARSCHUWING! Gevaar voor snij- en brandwonden – tijdens het gebruik van het inzetgereedschap – bij het neerleggen van het apparaat.

Draag veiligheidshandschoenen bij het hanteren met de inzetgereedschappen.
 Spanen of splinters mogen bij draaiende machine niet worden verwijderd.
 Bij het werken in wanden, plafonds of vloeren oppassen voor elektriciteitsdraden, gas- of waterleidingen.
 Borg uw werkstuk met behulp van een spaninrichting. Niet geborgde werkstukken kunnen ernstig letsel en grote schade veroorzaken.
 Voor alle werkzaamheden aan de machine de akku verwijderen.

Verbruikte akku's niet in het vuur of bij het huisvuil werpen. Milwaukee biedt namelijk een milieuvriendelijke recyclingmethode voor uw oude akku's.

Wisselakku's niet bij metalen voorwerpen bewaren (kortsluitingsgevaar!).
 Wisselakku's van het Akku-Systeem M18 alléén met laadapparaten van het Akku-Systeem M18 laden. Geen akku's van andere systemen laden.

Wisselakku's en laadapparaten niet openen en alleen in droge ruimtes opslaan. Tegen vocht beschermen.

Onder extreme belasting of extreme temperaturen kan uit de accu accu-vloeistof lopen. Na contact met accu-vloeistof direct afwassen met water en zeep. Bij oogcontact direct minstens 10 minuten grondig spoelen en onmiddellijk een arts raadplegen.

WAARSCHUWING! Dit apparaat bevat een lithium-knooppoolbatterij. Een nieuwe of gebruikte batterij die wordt ingeslikt of anderszins in het lichaam terecht komt, kan ernstige inwendige verbrandingen veroorzaken en binnen minder dan 2 uur tot de dood leiden. Beveilig altijd het deksel van het batterijvakje.
 Als het niet goed sluit, dient u het apparaat uit te schakelen, de batterij te verwijderen en deze buiten het bereik van kinderen te houden.
 Wanneer u vermoedt dat een batterij is ingeslikt of in het lichaam is terechtgekomen, dient u onmiddellijk medische hulp in te roepen.

Waarschuwing! Voorkom brand, persoonlijk letsel of materiële schade door kortsluiting en dompel het gereedschap, de wisselaccu en het laadtoestel niet onder in vloeistoffen en waarborg dat geen vloeistoffen in de apparaten en accu's kunnen dringen. Corrosieve of geleidende vloeistoffen zoals zout water, bepaalde chemicaliën, bleekmiddelen of producten die bleekmiddelen bevatten, kunnen een kortsluiting veroorzaken.

VOORGESCHREVEN GEBRUIK VAN HET SYSTEEM

De accu-slagschroevendraaier is universeel en onafhankelijk van het stroomnet toepasbaar voor het in- en uitdraaien van schroeven en het los- en aandraaien van moeren
 Dit apparaat uitsluitend gebruiken voor normaal gebruik, zoals aangegeven.

EG-VERKLARING VAN OVEREENSTEMMING

Wij als fabrikant verklaren in uitsluitende verantwoording dat het onder 'Technische gegevens' beschreven product overeenstemt met alle relevante voorschriften van de richtlijnen 2011/65/EU (RoHS), 2014/53/EU, 2006/42/EG en de volgende geharmoniseerde normatieve documenten:

- EN 62841-1:2015
- EN 62841-2-2:2014
- EN IEC 55014-1:2021
- EN IEC 55014-2:2021
- EN 62479:2010
- EN 301 489-1 V2.2.3
- EN 301 489-17 V3.1.1
- EN 300 328V2.2.2
- EN IEC 63000:2018

Winnenden, 2022-11-01

Alexander Krug

Alexander Krug
 Managing Director



Gemachtigd voor samenstelling van de technische documenten

Teichronic Industries GmbH
 Max-Eyth-Straße 10

71364 Winnenden
 Germany

BEDIENING

Opmerking: wij adviseren om het aandraaimoment na de bevestiging nog even te controleren met een momentsleutel.

Het aandraaimoment wordt op allerlei manieren beïnvloed, inclusief de onderstaand beschreven factoren.

- Laadtoestand van de batterij – als de batterij ontladen is, daalt de spanning en vermindert het aandraaimoment.
- Toerentalen – het gebruik van het gereedschap bij lage snelheid leidt tot een geringer aandraaimoment.
- Bevestigingspositie – de manier waarop u het gereedschap of het bevestigingsmiddel vasthoudt, beïnvloedt het aandraaimoment.
- Dopsleutel/bit – het gebruik van een dopsleutel of bit in de verkeerde maat of het gebruik van niet slagvast toebehoren vermindert het aandraaimoment.
- Gebruik van toebehoren en verlengstukken – al naargelang het toebehoren of het verlengstuk kan het aandraaimoment van de slagschroevendraaier vermindert worden.
- Schroef/moer – het aandraaimoment kan variëren al naargelang diameter, lengte en vastheidsklasse van de schroef / moer.
- Toestand van de bevestigingselementen – verontreinigde, gecorrodeerde, droge of gesmeerde bevestigingselementen kunnen het aandraaimoment beïnvloeden.
- De vast te schroeven onderdelen – de vastheid van de vast te schroeven onderdelen en ieder onderdeel daartussen (droog of gesmeerd, zacht of hard, schijf, afdichting of onderlegplaatje) kan het aandraaimoment beïnvloeden.

INSCHROEFTECHNIEKEN

Hoe langer een bout, een schroef of een moer met de slagschroevendraaier belast wordt, hoe vaster deze wordt aangedraaid.

Voorkom een te lange slagduur ter vermindering van schade aan de bevestigingsmiddelen of werkstukken.

Wees bijzonder voorzichtig als u kleinere bevestigingsmiddelen aandraait omdat deze minder slagen nodig hebben voor een optimaal aandraaimoment.

Oefenen met verschillende bevestigingselementen en onthoud de tijd die u nodig hebt om het gewenste aandraaimoment te bereiken.

Controleer het aandraaimoment met een handmatige momentsleutel.

Als het aandraaimoment te hoog is, vermindert u de slagduur.
 Als het aandraaimoment niet voldoende is, verhoogt u de slagduur.

Olie, vuil, corrosie of andere verontreinigingen aan de schroefdraden of onder de kop van het bevestigingsmiddel beïnvloeden de hoogte van het aandraaimoment.

Al naargelang de toestand van de raakvlakken bedraagt het vereiste aandraaimoment voor het losdraaien van een bevestigingsmiddel gemiddeld 75 % tot 80 % van het aandraaimoment.

Voer lichte schroefwerkzaamheden uit met een relatief gering aandraaimoment en gebruik een handmatige momentsleutel om het bevestigingsmiddel definitief vast te draaien.

KEUZE VAN DE BEDRIJFSMODUS

Wacht totdat het apparaat volledig tot stilstand is gekomen voordat u de bedrijfsmodus omschakelt. Druk op de toets om de instellingen te wijzigen. Druk op de WLAN-toets om de vooringestelde waarden via de ONE-KEY app op uw smartphone te wijzigen.

ONE-KEY™

Lees de bijgeleverde snelstartgids of kijk op onze website onder www.milwaukeetool.com/one-key voor meer informatie over de ONE-KEY-functie van dit gereedschap. U kunt de ONE-KEY app op uw smartphone downloaden via de App Store of Google Play.

Als het apparaat door elektrostatische ontladingen gestoord wordt, dooft de led-snelheidsindicatie en kan de snelheid niet meer worden geregeld. Verwijder in dat geval de wisselaccu en de knoopcel en plaats deze opnieuw (zie pagina 6 en 15).
 Stringen die door elektrostatische ontladingen worden veroorzaakt,

Ved arbejdsboring i væg, loft eller gulv skal man passe på elektriske kabler, gas- og vandledninger.

Sørg for at sikre dit emne med en spændeanordning. Ikke sikrede emner kan forårsage alvorlige kvæstelser og beskadigelser.

Ved arbejde inden i maskinen, bør batteriet tages ud.

Opbrugte udskiftningsbatterier må ikke brændes eller kasseres sammen med alm. husholdningsaffald. Milwaukee har en miljørigtig bortskaffelse af gamle udskiftningsbatterier, henvend Dem til Deres forhandler.

Opbevar ikke udskiftningsbatterier sammen med metalgenstande af fare for kortslutning.

Brug kun M18 ladeapparater for opladning af System M18 batterier.

Udskiftningsbatterier og opladere må ikke åbnes og skal opbevares i tørre rum. Beskyt dem mod fugtighed.

I tilfælde af en ekstrem belastning eller ekstrem temperatur kan der flyde batterivæske ud af et beskadiget batteri. Hvis De kommer i berøring med batterivæsken, skal den vaskes godt og grundigt af med vand og sæbe. I tilfælde af øjenkontakt, skal man mindst skylle øjnene godt og grundigt igennem i 10 minutter og omgående opsøge en læge.

⚠ ADVARSEL! Denne enhed indeholder et lithium-knapbatteri. Et nyt eller brugt batteri kan forårsage alvorlige indre forbrændninger på mindre end 2 timer og resultere i død, hvis det sluges eller kommer ind i kroppen. Sørg altid for, at dækslet til batteriet er forsvarligt lukket. Hvis det ikke lukker ordentligt, sluk da for enheden og tag batteriet ud og opbevar det uden for børns rækkevidde. Hvis du har en formodning om, at batterier er blevet slugt eller kommet ind i kroppen, opsøges læge omgående.

Advarsel! For at undgå risiko for brand, kvæstelser eller beskadigelse af produktet forårsaget af kortslutning må værktøjet, batteripakken eller opladeren ikke nedsænkes i vand. Sørg ligeledes for, at der ikke trænger væske ind i enhederne og batterierne. Korroderende eller ledende væsker, f.eks. saltvand, bestemte kemikalier, blegestoffer eller produkter, som indeholder blegestoffer, kan forårsage kortslutning.

TILTÆNKT FORMÅL

Akku-slagnøglen kan anvendes til mange forskellige formål til at fastspænde og løsne skrue og møtrikker uafhængigt af en nettislutning.

Produktet må ikke anvendes på anden måde og til andre formål end foreskrevet.

EF-OVERENSSTEMMELSESRKLERING

Vi erklærer som producent og eneansvarlig, at produktet, der er beskrevet under "Tekniske data", er i overensstemmelse med alle relevante bestemmelser i henhold til direktiverne 2011/65/EU (RoHS), 2014/53/EU, 2006/42/EF og nedenstående harmoniserede normative dokumenter:

EN 62841-1:2015
EN 62841-2-2:2014
EN IEC 55014-1:2021
EN IEC 55014-2:2021
EN 62479:2010
EN 301 489-1 V2.2.3
EN 301 489-17 V3.1.1
EN 300 328V2.2.2
EN IEC 63000:2018

Winnenden, 2022-11-01

Alexander Krug
Managing Director



Autoriseret til at udarbejde de tekniske dokumenter.

Techtronic Industries GmbH
Max-Eyth-Straße 10
71364 Winnenden
Germany

BETJENING

Bemærk: Når tilspændingsmomentet er fastgjort, anbefales det altid at kontrollere med en momentnøgle.

Tilspændingsmomentet påvirkes af talrige faktorer, herunder de følgende.

- Batteriets ladetilstand - Når batteriet er afladt, falder spændingen og tilspændingsmomentet reduceres.
- Omdrejningsstal - Brugen af værktøjet ved lavere hastighed fører til et lavere tilspændingsmoment.
- Fastgørelsesposition - Den måde, hvorpå du holder værktøjet eller fastgørelseselementet, påvirker tilspændingsmomentet.
- Dreje-/stikindsats - Brugen af en dreje- eller stikindsats med en forkert størrelse eller brugen af ikke slagfast tilbehør reducerer tilspændingsmomentet.
- Brug af tilbehør og forlængelser - Alt efter tilbehør eller forlængelse kan slagnøglen tilspændingsmoment blive reduceret.
- Skrue/møtrik - Tilspændingsmomentet kan variere alt efter skrue-/møtrikkens diameter, længde og styrkeklasse.
- Fastgørelseselementernes tilstand - Tilsmudsede, korroderede, tørre eller smurte fastgørelseselementer kan påvirke tilspændingsmomentet.
- Delene, som skal skrues sammen - Styrken på de dele, som skal skrues sammen, og hver komponent derimellem (tør eller smurt, blød eller hård, skive, pakning eller spændeskive) kan påvirke tilspændingsmomentet.

INDBYGNINGSTEKNIKKER

I jo længere tid en bolt, en skrue eller en møtrik belastes med slagnøglen, jo mere strammes den.

For at undgå skader på fastgørelsesmidlerne eller emnerne skal en unødigt slagtid undgås.

Vær især forsigtig, når du arbejder med mindre fastgørelsesmidler, idet de skal bruge færre slag for at opnå et optimalt tilspændingsmoment.

Øv med forskellige fastgørelseselementer og husk den tid, som det tager dig at opnå det ønskede tilspændingsmoment.

Kontroller tilspændingsmomentet med en manuel momentnøgle.

Hvis tilspændingsmomentet er for højt, skal slagtiden reduceres.

Hvis tilspændingsmomentet ikke er tilstrækkeligt, skal slagtiden øges.

Olie, snavs, rust eller andre urenheder på gevindene eller under fastgørelsesmidlets hoved påvirker tilspændingsmomentets højde.

Det drejningsmoment, som er nødvendigt til at løse et fastgørelsesmiddel, ligger i gennemsnit på 75 % til 80 % af tilspændingsmomentet, afhængigt af kontaktfadernes tilstand.

Udfør let indbygningsarbejde med et relativt lavt tilspændingsmoment og brug en manuel momentnøgle til at stramme med til sidst.

VALG AF DRIFTSMÅDE

Inden driftsmåden ændres, skal du vente, indtil enheden står helt stille. For at ændre indstillingerne trykkes der på tasten . Tryk på WLAN-tasten for at ændre de forhåndsindstillede værdier via ONE-KEY app'en på din smartphone.

ONE-KEY™

For at få mere at vide om værktøjets ONE-KEY funktion, bedes du læse den vedhæftede hurtigstart-vejledning eller besøge os på internettet på www.milwaukeeetool.com/one-key. Du kan downloade ONE-KEY app'en på din smartphone via App Store eller Google Play.

Hvis enheden bliver forstyrret af elektrostatiske afladninger, slukker LED-hastighedsvisningen og hastigheden kan ikke længere reguleres. I dette tilfælde skal det udskiftelige batteri og møntcelle tages ud og sættes i på ny (se side 6 og side 15).

Følg forårsaget af elektrostatiske afladninger fører også til en afbrydelse af Bluetooth-kommunikationen. I dette tilfælde skal Bluetooth-forbindelsen genetableres manuelt.

ONE-KEY™ indikator

Blåt lys	Den trådløse forbindelse er aktiv og kan indstilles via ONE-KEY™ app'en.
Blinker blåt	Værktøjet kommunikerer med ONE-KEY™ app'en.
Blinker rødt	Værktøjet blev spærret af sikkerhedsgrunde og kan låses op af brugeren via ONE-KEY™ app'en.

BATTERI

Udskiftningsbatterier, der ikke har været brugt i længere tid, efterlades inden brug.

Ved temperaturer over 50°C forminskes batteriets effekt. Undgå direkte sollys og stærk varme.

Tilslutningskablerne på oplader og udskiftningsbatterier skal holdes rene.

For at opnå en optimal levetid skal de genopladelige batterier oplades fuldt efter brug.

For at sikre en så lang levetid som muligt skal batterierne tages ud af ladeaggregatet efter opladning.

Skal batterierne opbevares længere end 30 dage:

Temperatur ca. 27°C i tørre omgivelser.

Opbevares ved ca. 30%-50% af ladetilstanden.

Batteri skal genoplades hver 6. måned.

OVERBELASTNINGSSIKRING FOR BATTERI

Overbelastes batteriet på grund af meget højt strømforbrug, f.eks. som følge af ekstremt høje drejningsmomenter, fastklemning af bor, pludseligt stop eller kortslutning, brummer el-værktøjet i 2 sekunder og slukker så af sig selv.

For at tænde igen slipper du trykknappen og tænder el-værktøjet på ny. Under ekstreme belastninger kan batteriet blive meget varmt. I så fald kobler batteriet fra.

TRANSPORT AF LITHIUM-BATTERIER

Lithium-batterier er omfattet af lovgivningen om transport af farligt gods.

Transporten af disse batterier skal ske under overholdelse af lokale, nationale og internationale regler og bestemmelser.

- Forbrugere må transportere disse batterier på veje uden yderligere krav.
- Den kommercielle transport af lithium-batterier ved speditorsfirmaer er omfattet af reglerne for transport af farligt gods. Forberedelsen af forsendelse og transport må kun udføres af tilsvarende trænedede personer. Den samlede proces skal følges af fagfolk. Følgende punkter skal overholdes ved transport af batterier:
 - Sørg for at kontakterne er beskyttet og isoleret for at forhindre kortslutninger.
 - Sørg for at batteripakken ikke kan bevæge sig inden for emballagen.
 - Beskadigede eller lækende batterier må ikke transporteres. Kontakt dit speditorsfirma for at få yderligere oplysninger.

VEDLIGEHOJDELSE

Vedligeholdelsesinformationer finder du i ONE-KEY app'en.

Brug kun Milwaukee-tilbehør og Milwaukee-reservedele. Komponenter, hvor udskiftningsproceduren ikke er beskrevet, skal skiftes ud hos et Milwaukee-servicested (se brochure garanti/kundeserviceadresser).

Hvis det er nødvendigt, kan der bestilles en sprængskitse af værktøjet. Angiv herved venligst maskintypen samt det sekscifrede nummer på mærkepladen og bestil tegningen hos din lokale kundeserviceafdeling eller direkte hos Techtronic Industries GmbH, Max-Eyth-Straße 10, 71364 Winnenden, Tyskland.

SYMBOLER

	VIGTIGT! ADVARSEL! FARE!
	Ved arbejde inden i maskinen, bør batteriet tages ud.
	Læs brugsanvisningen nøje før ibrugtagning.
	Brug beskyttelseshandsker!
	Slug ikke knapbatterier!
	Udtjente batterier, affald af elektrisk og elektronisk udstyr må ikke bortskaffes sammen med husaffald. Udtjente batterier, affald af elektrisk og elektronisk udstyr skal indsamles og bortskaffes særskilt. Fjern udtjente batterier, udtjente akkumulatører og lysmidler fra udstyret, inden det bortskaffes. Spørg efter genbrugsstationer og indsamlingssteder hos de lokale myndigheder eller din fagforhandler. Alt efter de lokale bestemmelser kan detailhandlere være forpligtede til gratis at tage brugte batterier, affald af elektrisk og elektronisk udstyr tilbage. Bidrag til at nedbringe behovet for råmaterialer ved at genbruge og genanvende dine udtjente batterier, affald af elektrisk og elektronisk udstyr. Udtjente batterier (især lithium-ion-batterier), affald af elektrisk og elektronisk udstyr indeholder værdifulde, genanvendelige materialer, som kan have en negativ effekt på miljøet og dit helbred ved ikke miljørigtig bortskaffelse. Slet inden bortskaffelsen personrelaterede data, som måtte befinde sig på dit affald af udstyret.
n_p	Omdrejningsstal, ubelastet
v	Spænding
	Jævnstrøm
	Europæisk konformitetsmærke
	Britisk konformitetsmærke
	Ukrainsk konformitetsmærke
	Eurasisk konformitetsmærke
	Eurasisk konformitetsmærke

TEKNISKE DATA	BATTERIDREVT SLAGSKRUTREKKER	M18 ONEFHWP12	M18 ONEFHIWF12	M18 ONEFHIWF34
Produksjonsnummer	4671 85 04... ...000001-999999	4671 95 04... ...000001-999999	4672 05 04... ...000001-999999	
 Tomgangsturtall	0-950 min ⁻¹	0-550 min ⁻¹	0-800 min ⁻¹	
Slagfall	0-1150 min ⁻¹	0-950 min ⁻¹	0-850 min ⁻¹	
 Tomgangsturtall	0-1500 min ⁻¹	0-1400 min ⁻¹	0-1300 min ⁻¹	
Slagfall	0-2100 min ⁻¹	0-1750 min ⁻¹	0-1850 min ⁻¹	
 Tomgangsturtall	0-1800 min ⁻¹	0-1750 min ⁻¹	0-1800 min ⁻¹	
Slagfall	0-2400 min ⁻¹	0-2100 min ⁻¹	0-2400 min ⁻¹	
 Tomgangsturtall	0-1800 min ⁻¹	0-1750 min ⁻¹	0-1800 min ⁻¹	
Slagfall	0-2400 min ⁻¹	0-2100 min ⁻¹	0-2400 min ⁻¹	
Dreiemoment max.....	1017 Nm	1356 Nm	1627 Nm	
Maksimale skruestørrelse / mutterstørrelse	M 24	M33	M33	
Verktøyholder	1/2" (13 mm)	1/2" (13 mm)	3/4" (19 mm)	
Spennning vekselbatteri.....	18 V	18 V	18 V	
Vekt i henhold til EPTA-Prosedyren 01/2014 (4,0 Ah / 5,0 Ah)	3,2 kg	3,3 kg	3,5 kg	
henhold til EPTA-Prosedyren 01/2014 (9,0 Ah).....	3,6 kg	3,7 kg	3,9 kg	
Bluetooth-Frekvensbånd (Frekvensbånd).....	2402-2480 MHz	2402-2480 MHz	2402-2480 MHz	
Høyfrekvens ytelse	1,8 dBm	1,8 dBm	1,8 dBm	
Bluetooth-versjon	4.0 BT signal mode	4.0 BT signal mode	4.0 BT signal mode	
Anbefalt omgivelsestemperatur under arbeid.....	-18 +50 °C	-18 +50 °C	-18 +50 °C	
Anbefalte batterityper.....	M18B2, M18B4, M18B5, M18B6, M18B9			
Anbefalte ladere	M12-18C, M12-18AC, M12-18FC, M1418C6			

Støy/Vibrasjonsinformasjon

Måleverdier fastslått i samsvar med EN 62841.

Det typiske A-bedømte støynivået for maskinen er:

Lydtrykknivå (Usikkerhet K=3dB(A)).....	94,7 dB (A)	94,9 dB (A)	98,5 dB (A)
Lydeffektnivå (Usikkerhet K=3dB(A)).....	105,7 dB (A)	105,9 dB (A)	109,5 dB (A)

Bruk hørselsvern!

Totale svingningsverdier (vektorsum fra tre retninger) beregnet jf. EN 62841.

Svingningsemisjonsverdi a_w

Fastsikring av skruer og muttere i maksimal størrelse	18,4 m/s ²	16,7 m/s ²	15,9 m/s ²
Usikkerhet K=.....	1,5 m/s ²	1,5 m/s ²	1,5 m/s ²

ADVARSEL!

De angitte vibrasjonseksponering- og støynivåverdiene har blitt målt i samsvar med standardiserte målemetoder jmfør EN 62841 og kan brukes til å sammenligne et verktøy med et annet. De kan brukes til en foreløpig eksponeringsvurdering.

De angitte vibrasjonseksponering- og støyemisjonsverdiene gjelder for vanlig bruk av verktøyet. Dersom verktøyet blir brukt til noe annet, sammen med annet utstyr eller er dårlig vedlikeholdt kan de angitte vibrasjonseksponering- og støyeverdiene variere. Dette kan øke eksponerings- og emisjonsverdiene betraktelig for hele perioden du bruker verktøyet.

Når en vurderer vibrasjonseksponeringsnivået og støyeverdi må en inkludere den perioden som verktøyet er slått av eller når verktøyet går, men ikke direkte brukes til noe. Dette kan redusere eksponeringsnivået betraktelig over hele perioden som verktøyet er i bruk.

Det er viktig å etablere ytterligere sikkerhetstiltak for å beskytte brukeren mot påvirkning av vibrasjon og/eller støy, slik som: vedlikehold av verktøyet og tilleggsutstyr, hold hendene varme, organiserte rutiner.

ADVARSEL! Les gjennom alle sikkerhets advarsler, anvisninger, illustrasjoner og spesifikasjoner for dette elektroverktøyet. Feil ved overholdelsen av advarslene og nedenstående anvisninger kan medføre elektriske støt, brann og/eller alvorlige skader.
Ta godt vare på alle advarslene og informasjonene.

SIKKERHETSINSTRUKSER FOR SLAGSKRUTREKKER

Bruk hørselsvern. Støy kan føre til tap av hørselen

Hold apparatet i de isolerte holdeflatene, når arbeid utføres hvor skruen kan treffe skjulte strømlødnings. Kontakt av skruen med en strømførende ledning kan sette apparatets metalldele under spenning og føre til elektrisk slag.

YTTERLIGE SIKKERHETS- OG ARBEIDSTRUKSJONER

Ha på deg personlig verneutstyr. Ha alltid på deg vernebriller. Bruk av verneutstyr som til enhver tid er egnet for arbeid som skal utføres, som støvbeskyttelsesmaske, skliskikert skotøy, vernehjelm eller hørselsvern, reduserer faren for personskade.

Støvet som oppstår ved arbeidet er ofte helsefarlig og skal ikke komme i kontakt med kroppen. Bruk derfor verneemaske som er egnet for støv.

Materialer som er helsefarlig skal ikke bearbeides (f.eks.. asbest)

Slå av apparatet med en gang dersom det isatte verktøyet er blokkert! Ikke slå apparatet på igjen så lenge det isatte verktøyet er blokkert; her kan det oppstå et tilbakeslag med høyt reaksjonsmoment. Finn ut hvorfor det isatte verktøyet blokkerer og fjern årsaken til dette. Ta herved hensyn til sikkerhets instruksene.

Mulige årsaker til dette kan være:

- det har forkantet seg i arbeidsområdet som bearbeides
- det har brekt igjennom materialet som bearbeides
- elektroverktøyet er overbelastet

Ikke grip inn i maskinen når den står på og går.

Tilbehøret har skarpe kanter og kan bli varmt under bruken.

ADVARSEL! Fare for kutt og forbrenninger - ved håndtering av tilbehøret - når apparatet legges ned.

Bruk vernehansker ved håndteringen av tilbehøret.

Spon eller filser må ikke fjernes mens maskinen er i gang.

Pass på kabler, gass- og vannledninger når du arbeider i vegger, tak eller gulv.

Klem fast arbeidselementet med en spenninnretning. Ikke sikre arbeidselementer kan ha alvorlige helseskader og skader av material til følge.

Ta ut vekselbatteriet før du arbeider på maskinen

Ikke kast brukte vekselbatterier i varmen eller husholdningsavfall. Milwaukee tilbyr en miljøriktig deponering av gamle vekselbatterier; vennligst spør din fagforhandler.

Ikke oppbevar vekselbatterier sammen med metallgjenstander (kortslutningsfare).

Vekselbatterier av systemet M18 skal kun lades med lader av systemet M18. Ikke lad opp batterier fra andre systemer.

Ikke åpne vekselbatterier og ladere, de skal oppbevares i tørre rom. Beskyttes mot fuktighet.

Under ekstreme belastninger og ekstreme temperaturer kan det lekke ut batterivæske fra utskiftbare batterier. Ved berøring med batterivæske, vask umiddelbart med såpe og vann. Ved kontakt med øynene må øynene skylles grundig i rennende vann i minst 10 minutter. Oppsøk lege umiddelbart.

ADVARSEL! Dette apparatet inneholder en litium knappcellebatteri. Et nytt eller brukt batteri kan forårsake alvorlige indre forbrenninger og føre til døden i løpet av mindre enn 2 timer dersom det svelges eller kommer inn i kroppen. Sikre alltid lokket til batterirommet. Dersom det ikke lukker seg sikkert, må apparatet slås av, fjern batteriet og oppbevar det utlignelig for barn. Hvis du tror at batterier har blitt svelget eller har kommet inn i kroppen, må du søke øyeblikkelig legehjelp.

Advarsel! For å unngå fare for en brann forårsaket av en kortslutning, av personskader eller skader av produktet, må det forhindres at batteripakken eller laderen dyppes i væsker og også sørges for at ingen væsker kan komme inn i apparatene eller batteriene. Korroderende og ledende væsker som saltvann, visse kjemikalier og blekemidler eller produkt som inneholder blekemidler kan forårsake en kortslutning.

FORMÅLSMESSIG BRUK

Den oppladbare slagtrekkeren kan brukes universelt til å feste og å løse skruer og muttere uavhengig av en netforbindelse (støm).

Dette apparatet må kun brukes til de oppgitte formål.

EU-SAMSVARERKLÆRING

Vi erklærer under eget ansvar at produktet som beskrives under «Tekniske data» samsvarer med alle relevante forskrifter i direktivene 2011/65/EU (RoHS), 2014/53/EF, 2006/42/EF og de følgende harmoniserte normative dokumentene:

EN 62841-1:2015
EN 62841-2-2:2014
EN IEC 55014-1:2021
EN IEC 55014-2:2021
EN 62479:2010
EN 301 489-1 V2.2.3
EN 301 489-17 V3.1.1
EN 300 328V2.2.2
EN IEC 63000:2018

Winnenden, 2022-11-01



Alexander Krug
Managing Director



Autorisert til å utarbeide den tekniske dokumentasjonen

Technronic Industries GmbH
Max-Eyth-Straße 10
71364 Winnenden
Germany

VALG AV DRIFTSMODUS

FøBetjening

Merk: Vi anbefaler at tiltrekningsmomentet alltid kontrolleres med en momentnøkkel etter at festet er avsluttet.

En rekke faktorer har sin innvirkning på tiltrekningsmomentet, inkludert de følgende:

- Batteriets ladetilstand - Når batteriet er utladet, synker spenningen og tiltrekningsmomentet blir redusert.
- Turtall - bruken av verktøyet ved lav hastighet fører til et lavere tiltrekningsmoment.
- Festeposisjon - måten du holder verktøyet eller festeelementet på, har innflytelse på tiltrekningsmomentet.
- Dreie-/plugginnsats - bruken av en dreie- eller plugginnsats med feil størrelse eller bruk av tilbehør som ikke er slagfast reduserer tiltrekningsmomentet.
- Bruk av tilbehør og forlengelser - Avhengig av tilbehør eller forlengelser kan tiltrekningsmomentet til slagskrunkkellen reduseres.
- Skruemutter - Tiltrekningsmomentet kan variere, avhengig av skruens diameter, lengde og fasthetsklasse.
- Festeelementenes tilstand - festelementer som er forurensede, korroderte, tørre eller smurte kan ha innflytelse på tiltrekningsmomentet.
- Delene som skal skrues sammen - Fastheten til delene som skal skrues sammen og hvert element mellom dem (tørre eller smurte, myke eller harde, skive, tetning eller underlagsskive) kan ha innflytelse på tiltrekningsmomentet.

INNSKRUGSTEKNIKK

Jo lenger en bolt, en skrue eller en mutter belastes med slagskrunkkellen, desto fastere blir den skrudd til.

For å unngå at det oppstår skader på festeelementene eller arbeidsstykkene, må en for lang slagtid unngås.

Vær spesielt forsiktig når du innvirker på mindre festeelementer, da disse trenger færre slag for å oppnå et optimalt tiltrekningsmoment.

Øv med forskjellige festeelementer og merk deg tiden du trenger for å oppnå ønsket tiltrekningsmoment.

Kontroller tiltrekningsmomentet med en manuell momentnøkkel.

Dersom tiltrekningsmomentet er for høyt, må du redusere slagtiden.

Dersom tiltrekningsmomentet ikke er tilstrekkelig, må du øke slagtiden.

Olje, smuss, rust eller annen forurensning på gjengene eller under hodet til festeelementet har innflytelse på tiltrekningsmomentets høyde.

Dreiemomentet som behøves for å løse et festelement er gjennomsnittlig 75 % til 80 % av tiltrekningsmomentet, avhengig av kontakflatenes tilstand.

Utfør lette arbeider til innskruing med et relativt lavt tiltrekningsmoment og bruk en manuell momentnøkkel til å utføre den endelige strammingen.

VALG AV DRIFTSMODUS

Før endring av driftsmodus må det ventes til apparatet står helt stille. For å forandre innstillingene, trykk tast . Trykk WiFi tasten  for å endre de forinnstilte verdiene via ONE-KEY Appen på din smartphone.

ONE-KEY™

Ytterligere informasjon om ONE-KEY funksjonaliteten til dette verktøyet finnes i vedleggende Quick-Start anvisning eller på internett under: www.milwaukeeool.com/one-key. ONE-KEY Appen kan lastes ned på smartphonen din via App Store eller Google Play.

Forstyrres apparatet av en elektrostatisk utlading, slås LED hastighetvisningen seg av og hastigheten lar seg ikke lenger reguleres. I slike tilfeller, må det oppladbare batteriet og knappecellen fjernes og settes inn igjen på nytt (se side 6 og side 15). Forstyrrelser forårsaket av elektrostatiske utladninger fører også avbrudd av Bluetooth-tilkoblingen. I slike tilfeller må Bluetooth-forbindelsen gjenopprettes manuelt.

ONE-KEY™ indikator

Lyser blått	Radioforbindelsen er og kan stilles inn via ONE-KEY™ appen.
Blinker blått	Verktøyet kommuniserer med ONE-KEY™ appen.
Blinker rødt	Av sikkerhetsgrunner har verktøyet blitt sperret og kan låses opp av operatøren via ONE-KEY™ appen.

BATTERIER

Vekselbatterier som ikke er brukt over lengre tid skal etterlades før bruk. En temperatur over 50°C reduserer vekselbatteriets kapasitet. Unngå oppvarming i sol eller ved varmeovnen (fyring) i lengre tid. Hold tilkoplingskontaktene på lader og vekselbatteri rene. For optimal holdbarhet må batteriene lades opp helt etter bruk. For å sikre en lengst mulig brukstid av batteriene skal disse etter oppladning taes ut av laderen.

Ved lagring av batteriene lengre enn 30 dager:

Lagre batteriet tørt ved ca. 27°C.

Lagre batteriet ved en oppladningsstand på ca. 30%-50%.

Lade opp batteriet igjen etter 6 måneder.

OVERBELASTNINGSVERN FOR OPPLADBARE BATTERIER

Ved overbelastning av det oppladbare batteriet p.g.a. svært høy strømforbruk, for eksempel ved ekstrem høye dreiemoment, fastklemming av boret, plusselig stopp eller kortslutning, brummer elektroverktøyet 2 sekunder og slår seg så automatisk av. For å slå det på igjen, må man slippe trykkbryteren og så slå på igjen. Ved ekstreme belastninger kan det oppladbare batteriet bli sterkt opphetet. I slike tilfeller kobler batteriet seg ut.

TRANSPORT AV LITUM-ION-BATTERI

Litium-ion-batterier faller under de lovfestede forskriftene om transport av farlig gods.

Transporten av disse batteriene må rette seg etter lokale, nasjonale og internasjonale forskrifter og bestemmelser.

- Forbruker har lov å transportere disse batteriene på gaten uten reglementering.
- Den kommersielle transport av Litium-ion-batterier av spedisjonsfirma faller under bestemmelsene om transport av farlig gods. Forberedningene av forsendelsen og transport skal utelukkende gjennomføres av personer som har blitt skolert til dette. Hele prosessen skal følges opp av fagfolk. Følgende punkter skal tas hensyn til ved transport:
- Kontroller at kontaktene er beskyttet og isolert for å unngå kortslutninger.
- Pass på at batteripakken i forpakningen ikke kan skli fram og tilbake.
- Skadede eller batterier som lekker er det ikke lov å transportere. Ta kontakt med spedisjonsfirma for ytterlige henvisninger.

VEDLIKEHOLD

Henvisninger for vedlikehold finner du i ONE-KEY Appen.

Bruk kun Milwaukee tilbehør og Milwaukee reservedeler. Komponenter der utskifning ikke er beskrevet skal skiftes ut hos Milwaukee kundeservice (se brosjyre garanti/kundeserviceadresser).

Ved behov kan det fås en eksplisjonstegning av apparatet hos kundeservice eller direkte hos Technronic Industries GmbH, Max-Eyth-Straße 10, 71364 Winnenden, Germany ved angivelse av maskinens type og det seksstallige nummeret på maskinens skilt.

SYMBOLER

	OBS! ADVARSEL! FARE!
	Ta ut vekselbatteri før du arbeider på maskinen
	Les nøye gjennom bruksanvisningen før maskinen tas i bruk.
	Bruk vernehansker!
	Knoppcellebatteri må ikke svelges!
	Elektrisk og elektronisk avfall skal ikke avfallshåndteres sammen med husholdningsavfallet. Brukte batterier, elektrisk og elektronisk avfall skal samles kildesortert og avfallshåndteres. Fjern brukte batterier, akkumulatorer og lysmidler fra apparatene før de kasseres. Be om informasjon hos de lokale myndighetene eller hos din fagforhandler om miljøstasjoner og samlesteder. Avhengig av de lokale bestemmelsene kan detaljhandlere være forpliktet til å ta tilbake brukte batterier, elektrisk og elektronisk avfall uten kostnader. Bidra til å redusere behovet for råmaterialer ved å sørge for gjenbruk og resirkulering av dine brukte batterier og ditt elektriske og elektroniske avfall. Brukte batterier (særlig litium-ion-batterier), elektrisk og elektronisk avfall inneholder verdifulle, gjenbrukbare materialer som ved ikke-miljøriktig avfallshåndtering kan ha negative konsekvenser for miljøet og din helse. Slett først eventuelle personrelaterede data fra det brukte apparatet før det avfallshåndteres.
	Tomgangsturtall
	Volt
	Likestrøm
	Europeisk samsvarsmerke
	Britisk samsvarsmerke
	Ukrainsk samsvarsmerke
	Euroasiatisk samsvarsmerke

TEKNISKA DATA

	BATTERIDRIVEN SLAGSKRUVDRAGARE	M18 ONEFHWP12	M18 ONEFHWF12	M18 ONEFHWF34
Produktionsnummer.....	4671 85 04... ...00001-999999	4671 95 04... ...00001-999999	4672 05 04... ...00001-999999	
 Tomgångsvarvtal, obelastad	0-950 min ⁻¹	0-550 min ⁻¹	0-800 min ⁻¹	
 Slagfrekvens.....	0-1150 min ⁻¹	0-950 min ⁻¹	0-850 min ⁻¹	
 Tomgångsvarvtal, obelastad	0-1500 min ⁻¹	0-1400 min ⁻¹	0-1300 min ⁻¹	
 Slagfrekvens.....	0-2100 min ⁻¹	0-1750 min ⁻¹	0-1850 min ⁻¹	
 Tomgångsvarvtal, obelastad	0-1800 min ⁻¹	0-1750 min ⁻¹	0-1800 min ⁻¹	
 Slagfrekvens.....	0-2400 min ⁻¹	0-2100 min ⁻¹	0-2400 min ⁻¹	
 Tomgångsvarvtal, obelastad	0-1800 min ⁻¹	0-1750 min ⁻¹	0-1800 min ⁻¹	
 Slagfrekvens.....	0-2400 min ⁻¹	0-2100 min ⁻¹	0-2400 min ⁻¹	
Vridmoment max.....	1017 Nm	1356 Nm	1627 Nm	
Maximal skruv- respektive mutterstorlek	M24	M33	M33	
Verktøyinfästninge.....	1/2" (13 mm)	1/2" (13 mm)	3/4" (19 mm)	
Batterispänning	18 V	18 V	18 V	
Vikt enligt EPTA 01/2014 (4,0 Ah / 5,0 Ah)	3,2 kg	3,3 kg	3,5 kg	
Vikt enligt EPTA 01/2014 (9,0 Ah).....	3,6 kg	3,7 kg	3,9 kg	
Bluetooth-frekvensband	2402-2480 MHz	2402-2480 MHz	2402-2480 MHz	
Hørfrekvenseffekt	1,8 dBm	1,8 dBm	1,8 dBm	
Bluetooth-Version	4.0 BT signal mode	4.0 BT signal mode	4.0 BT signal mode	
Rekommenderte omgivningstemperatur ved arbete:	-18 +50 °C	-18 +50 °C	-18 +50 °C	
Rekommenderte batterityper	M18B2, M18B4, M18B5, M18B6, M18B9			
Rekommenderte laddere	M12-18C, M12-18AC, M12-18FC, M1418C6			

Buller-/vibrasjonsinformasjon

Måtværdene har tagits fram baserande på EN 62841.

A-værdet av maskinens ljudnivå utgår:

Ljudtrykknivå (Onoggrannhet K=3dB(A))..... 94,7 dB (A) 94,9 dB (A) 98,5 dB (A)

Ljudeffektnivå (Onoggrannhet K=3dB(A))..... 105,7 dB (A) 105,9 dB (A) 109,5 dB (A)

Anvånd hørselskydd!

Totala vibrationsværdet (vektorsumma ur tre riktningar) framtaget enligt EN 62841.

Vibrationsemissionsværdet a_v

Ådragnin av skruvar og muttrar av maximal storlek..... 18,4 m/s²..... 16,7 m/s²..... 15,9 m/s²

Onoggrannhet K=..... 1,5 m/s²..... 1,5 m/s²..... 1,5 m/s²

WARNING!

De deklarerade vibrations- og bullernivåerna på detta informationsblad har oppmått i enighet med en standardiserad testmetode enligt EN 62841 og kan anvåndas for å jåmfåra ett verktøy med ett annat. Det kan anvåndas for å preliminåre bedømmning av exponeringen.

Den angivna vibrations- og bullernivåen representerer verktøyets hovedsaklige tillåmpninger. Om verktøyet emellertid anvåndas for ulike tillåmpninger, med ulike eller dåligt underhållna tillbehår, kan vibrations- og bullerutslåppet variera. Dette kan åka exponeringsnivåen avsevårt over den totala arbeidsperioden.

En uppskåttning av exponeringsnivåen for vibrationer og buller bår åven å ta hånsyn till de tider då verktøyet år avstångt eller når det kårns utan att faktiskt årbeita. Dette kan avsevårt minska exponeringsnivåen over den totala arbeidsperioden.

Identifisera ytterligere sårkerhetsåtgårder for ått skydda operatåren mot effektene av vibrationer og/eller buller sårsom: underhåll av verktøyet og tillbehåren, hålla hånderna varma, organisasjon av arbeidsmånster.

WARNING! Lås noga igenom alla sårkerhetsanvisningar, illustrasjoner og spesifikasjoner som medfølger dette elverktøy. Fel som oppstår till följd av att anvisningarna nedan inte följs kan orsaka elståt, brand og/eller allvarlige kroppsskador. Fårvara alla varningar og anvisningar for framtida bruk.

SÅKERHETSINSTRUKTIONER FOR SLAGSKRUVDRAGARE

Bår hørselskydd. Bullerbelastning kan orsaka hørselskador.

Håll apparaten i de isolerade greppytorna når ni utfår arbeten dår skruven kan tråffa dolda elkablar. Skruvens kontakt med en stråmfårånde ledning kan såtta apparatdelar av metall under spånning og leda till elektrisk ståt.

ÅVRIGA SÅKERHETS- OCH ANVÅNDNINGSSINSTRUKTIONER

Bår personlig skyddsutrustning. Bår alltid skyddsglasågon. Att bårå respektive passende skyddsutrustning, som dammskyddsmask, halksårkra skor, skyddshålm eller hørselskydd minskar risken for personskador.

Det damm som bildas under arbetets gångr år ofta hålsafarligt og det ska inte komma in i kroppen. Bår dårfor låmpelig skyddsmask.

Det år inte tillåtet ått bearbeta material som kan vara hålsovådligt (t.ex. asbest).

Stång av maskinen omedelbart om ett verktøy som anvåndas sitter fast! Såt sedan inte på maskinen igen så långe som verktøyet som anvåndas fortfarande sitter fast; risk for okontrollerade slag med høgt reaktionsmoment. Ta reda på orsaken varfor verktøyet fastnade og åtgårda orsaken med hånsyn till sårkerhetsanvisningarna.

Måjlige orsaker kan vara:

- Verktøyet sitter snett i arbeidsstycket
- Verktøyet går igenom materialet som bearbetas
- Elverktøyet år overbelastat

Gå aldrig med hånderna in i en maskin som år igångr.

Infåringsverktøyet har en vass egg og kan bli het under anvåndning.

WARNING! Risk for skårår og brånnskador - vid hantering av infåringsverktøyen - når maskinen stålls ner.

Anvånd skyddshandskar når du hanterer infåringsverktøy.

Avlågna aldrig spån eller flisor når maskinen år igångr.

Vid arbetenborring i vägg, tak eller golv, var alltid observant på befintliga el-, gas- eller vattenledningar.

Säkra arbetsstycket med en fastspänningsanordning. Arbetsstycken som inte är ordentligt fastspända kan leda till allvarlig kroppsskada eller annan skada.

Drag ur batteripaket innan arbete utföres på maskinen.

Kasta inte förbrukade batterier. Lämna dem till Milwaukee Tools för återvinning.

Förvara ej batteriet ihop med metallföremål, kortslutning kan uppstå.

System M18 batterier laddas endast i System M18 laddare. Ladda inte batterier från andra system.

Batterier lagras torrt och skyddas för fukt.

Under extrem belastning eller extrem temperatur kan batterivätska tränga ut ur skadade utbytesbatterier. Vid beröring med batterivätska tvätta genast av med vatten och tvål. Vid ögonkontakt spola genast i minst 10 minuter och kontakta genast läkare.

⚠ VARNING! Den här apparaten innehåller ett litium-knappcells batteri. Ett nytt eller förbrukat batteri kan orsaka allvarliga inre brännskador och leda till döden på mindre än 2 timmar om det själs eller kommer in i kroppen. Säkra alltid locket tillbatterifacket! Om det inte längre kan stängas säkert, stäng av apparaten, ta ur batteriet och håll det borta från barn. Om du tror att batterier har svalts eller kommit in i kroppen, uppsöka omedelbart läkare.

Varning! För att undvika den fara för brand, personskador eller produktskador som orsakas av en kortslutning, doppa inte ner verktyget, utbytesbatteriet eller laddaren i vätskor och se till att ingen vätska kan tränga in i apparaterna eller batterierna. Korroderande eller ledande vätskor, som saltvatten, vissa kemikalier, blekningsmedel eller produkter som innehåller blekmedel, kan orsaka en kortslutning.

ANVÄND MASKINEN ENLIGT ANVISNINGARNA

Denna sladdlösa och laddningsbara slagskruvdragare kan användas universellt både för att ta loss och skruva i skruvar och muttrar helt oberoende av en elanslutning.

Maskinen får endast användas för angiven tillämpning.

EG-FÖRSÄKRAN ÖVERENSSTÄMMELSE

Vi som tillverkare intygar och ansvarar för att den produkt som beskrivs under "Tekniska data" överensstämmer med alla relevanta bestämmelser i direktiv 2011/65/EU (RoHS), 2014/53/EU, 2006/42/EG och följande harmoniserade normerande dokument:

EN 62841-1:2015
EN 62841-2-2:2014
EN IEC 55014-1:2021
EN IEC 55014-2:2021
EN 62479:2010
EN 301 489-1 V2.2.3
EN 301 489-17 V3.1.1
EN 300 328V2.2.2
EN IEC 63000:2018

Winnenden, 2022-11-01



Alexander Krug
Managing Director



Befullmäktigad att sammanställa teknisk dokumentation.

Techtronic Industries GmbH
Max-Eyth-Straße 10
71364 Winnenden
Germany

ANVÄNDNING

OBS: Det rekommenderas att alltid kontrollera åtdragningsmomentet med en momentnyckel efter fastsättningen.

Åtdragningsmomentet påverkas av många faktorer bland annat av dessa:

- Batteriets laddningstillstånd - Om batteriet är urladdat så faller spänningen och åtdragningsmomentet reduceras.
- Varvtalen - Om verktyget används med låg hastighet så reduceras åtdragningsmomentet.
- Fastsättningspositionen - Sättet på vilket du håller verktyget eller fästnanordningen påverkar också åtdragningsmomentet.
- Vrid-/insticksinsatsen - Om man använder en vrid- eller insticksinsats i fel storlek eller om man använder tillbehör som inte är stötsäkert reduceras åtdragningsmomentet.
- Användningen av tillbehör och skarvdetaljer - Beroende på vilket tillbehör och vilka skarvdetaljer som används så kan slagskruvdragarens åtdragningsmoment reduceras.
- Skruvar/muttrar - Åtdragningsmomentet kan variera beroende på skruvarnas/muttrarnas diameter, längd och hållfasthetsklass.
- Fastelementens tillstånd - Nedsmutsade, korroderade, torra eller smorda fästnanordningar kan påverka åtdragningsmomentet.
- Delarna som ska skruvas ihop - Hållfastheten på delarna som ska skruvas ihop och på varje komponent däremellan (torra eller smorda, mjuka eller hårda, tätning eller mellanlaggsbricka) kan påverka åtdragningsmomentet.

ISKRUVNINGSMETODER

Ju längre en bult, en skruv eller en mutter belastas med slagskruvdragaren desto mer dras den åt.

För att förhindra att fästmaterial eller arbetsstycket tar skada bör du undvika onödigt långa slagtider.

Var extra försiktig om du använder fästmaterial i mindre storlek eftersom dessa behöver ett färre antal slag för ett optimalt åtdragningsmoment.

Träna först med olika fästelement och kom sedan ihåg den tid som du behövs för att uppnå det önskade åtdragningsmomentet.

Kontrollera åtdragningsmomentet med en manuell momentnyckel.

Reducera slagtiden om åtdragningsmomentet är för stort.

Öka slagtiden om åtdragningsmomentet inte räcker.

Även olja, smuts, rost och andra föroreningar på gängor eller under skallen på fästmaterialet påverkar åtdragningsmomentet.

Vridmomentet som behövs för att lossa fästmaterialet är i genomsnitt 75 % till 80 % av åtdragningsmomentet beroende på kontaktytorernas tillstånd.

Använd ett relativt litet åtdragningsmoment för enklare iskruvningsarbeten och använd sedan en manuell momentnyckel för den slutgiltiga åtdragningen.

VÄLJA DRIFTLÄGE

Vänta alltid först tills verktyget har stannat helt innan du ändrar driftläget. För att ändra inställningen trycker du på knappen . Tryck på WiFi-knappen  för att ändra de förinställda värdena via ONE-KEY appen på din smartphone.

ONE-KEY™

Mer information om ONE-KEY funktionen för detta verktyg finns i den bifogade snabbstartanvisningen eller besök oss på www.milwaukee.com/one-key. Du kan ladda ner ONE-KEY appen på din smartphone via App Store eller Google Play.

Om produkten störs av elektrostatiska urladdningar sloknar LED-hastighetsindikeringen och hastigheten kan inte längre regleras. Ta i så fall ur batteriet och knappellen och sätt tillbaka dem igen (se sida 6 och sida 15).

Störningar som orsakas av elektrostatiska urladdningar leder också till att kommunikationen via Bluetooth avbryts. I så fall måste Bluetooth-förbindelsen upprättas igen manuellt.

ONE-KEY™ indikering

Blått ljus	Trådlös förbindelse är aktiv och kan ställas in med hjälp av appen ONE-KEY™.
Blå blinkning	Verktyget kommunicerar med ONE-KEY™ appen.
Röd blinkning	Verktyget har blockerats av säkerhetsskäl och kan deblockeras via ONE-KEY™ appen.

BATTERIER

Batteri som ej använts på länge måste laddas före nytt bruk.

En temperatur över 50°C reducerar batteriets effekt. Undvik längre uppvärmning tex i solen eller nära ett element.

Se till att anslutningskontaktarna i laddaren och på batteriet är rena.

För att batterierna ska få lång livslängd ska de laddas fulla efter användning.

För att få en så lång livslängs som möjligt bör laddningsbara batterier avlägsnas från laddaren när de är laddade.

Om laddningsbara batterier lagras längre än 30 dagar:

Lagra batteriet torrt och vid ca 27°C.

Lagra batteriet vid ca 30%-50% av laddningskapaciteten.

Ladda batterierna på nytt var 6:e månad.

BATTERI-ÖVERBELASTNINGSSKYDD

Om det uppladdningsbara batteriet överbelastas på grund av mycket hög strömförbrukning, till exempel vid extremt höga vridmoment, fastklämning av borret, plötsligt stopp eller kortslutning, brummar elverktyget i 2 sekunder och stängs sedan av automatiskt. Släpp därefter först upp tryckknappen och slå sedan på elverktyget igen, om du vill fortsätta bearbetningen.

Vid extrem belastning kan batteriet bli väldigt varmt. I ett sådant fall stängs batteriet av automatiskt.

TRANSPORTERA LITIJUMJON-BATTERIER

För litiumjon-batterier gäller de lagliga föreskrifterna för transport av farligt gods på väg.

Därför får dessa batterier endast transporteras enligt gällande lokala, nationella och internationella föreskrifter och bestämmelser.

• Konsumenter får transportera dessa batterier på allmän väg utan att behöva beakta särskilda föreskrifter.

• För kommersiell transport av litiumjon-batterier genom en speditorsfirma gäller emellertid bestämmelserna för transport av farligt gods på väg. Endast personal som känner till alla tillämpliga föreskrifter och bestämmelser får förbereda och genomföra transporten. Hela processen ska följas upp på fackmässigt sätt. Följande ska beaktas i samband med transporten av batterier:

• Säkerställ att alla kontakter är skyddade och isolerade för att undvika kortslutning.

• Se till att batteripacken inte kan glida fram och tillbaka i förpackningen.

• Transportera aldrig batterier som läcker, har runnit ut eller är skadade. För mer information vänligen kontakta din speditorsfirma.

SKÖTSEL

Underhållsanvisningar hittar du på ONE-KEY appen.

Använd endast Milwaukee-tillbehör och Milwaukee-reservdelar. Komponenter, för vilka inget byte beskrivs, skall bytas ut hos Milwaukee-kundtjänst (se broschyren garanti-/kundtjänstadresser).

Vid behov kan du rekvidera apparatens sprängskiss antingen hos kundservicen eller direkt hos Techtronic Industries GmbH, Max-Eyth-Straße 10, 71364 Winnenden, Germany. Du ska då ange maskintypen och numret på sex siffror som står på effektskylten.

SYMBOLER

	OBSERVERA! VARNING! FARA!
	Drag ur batteripaket innan arbete utföres på maskinen.
	Läs instruktionen noga innan du startar maskinen.
	Bär skyddshandskar!
	Svälj inte knappcells batterier!
	Förbrukade batterier och avfall som utgörs av eller innehåller elektrisk och elektronisk utrustning (WEEE) får inte slängas tillsammans med de vanliga hushållsoporna. Förbrukade batterier eller WEEE ska samlas och avfallshanteras separat. Ta ut förbrukade batterier, förbrukade ackumulatörer och ljuskällor ur produkterna innan de avfallshanteras. Kontakta den lokala myndigheten respektive kommunen eller fråga återförsäljare var det finns speciella avfallsstationer för elskrot. Beroende på de lokala bestämmelserna kan återförsäljare vara skyldiga att ta tillbaka förbrukade batterier eller WEEE gratis. Bidra till att minska behovet av råämnen genom återanvändning och återvinning av dina förbrukade batterier eller ditt WEEE. Förbrukade batterier (i synnerhet litiumjonbatterier) och WEEE innehåller värdefulla återvinningsbara material som kan skada miljön och din hälsa om de inte avfallshanteras på korrekt sätt. Tänk på att radera eventuella personuppgifter som kan finnas på din utrustning innan du lämnar den till avfallshanteringen.
	Tomgångsvarvtal, obelastad
	Spänning
	Likström
	Europeiskt konformitetsmärke
	Britiskt konformitetsmärke
	Ukrainskt konformitetsmärke
	Euroasiatiskt konformitetsmärke

TEKNISET ARVOT	AKKUKÄYTTÖINEN ISKEVÄ RUUVINKIERRIN	M18 ONEFHWP12	M18 ONEFHWF12	M18 ONEFHWF34
----------------	-------------------------------------	---------------	---------------	---------------

Tuotantonumero.....	4671 85 04... ...000001-999999	4671 95 04... ...000001-999999	4672 05 04... ...000001-999999	
 Kuormittamaton kierrosluku Iskumäärä.....	0-950 min ⁻¹ 0-1150 min ⁻¹	0-550 min ⁻¹ 0-950 min ⁻¹	0-800 min ⁻¹ 0-850 min ⁻¹	
 Kuormittamaton kierrosluku Iskumäärä.....	0-1500 min ⁻¹ 0-2100 min ⁻¹	0-1400 min ⁻¹ 0-1750 min ⁻¹	0-1300 min ⁻¹ 0-1850 min ⁻¹	
 Kuormittamaton kierrosluku Iskumäärä.....	0-1800 min ⁻¹ 0-2400 min ⁻¹	0-1750 min ⁻¹ 0-2100 min ⁻¹	0-1800 min ⁻¹ 0-2400 min ⁻¹	
 Kuormittamaton kierrosluku Iskumäärä.....	0-1800 min ⁻¹ 0-2400 min ⁻¹	0-1750 min ⁻¹ 0-2100 min ⁻¹	0-1800 min ⁻¹ 0-2400 min ⁻¹	

Vääntömomentti max.....	1017 Nm	1356 Nm	1627 Nm
Suurin ruuvien / muttereiden koko.....	M 24	M33	M33
Taltpäädin.....	1/2" (13 mm)	1/2" (13 mm)	3/4" (19 mm)
Jännite vaihtoakku.....	18 V	18 V	18 V
Paino EPTA-menettelyn 01/2014 mukaan (4,0 Ah / 5,0 Ah).....	3,2 kg	3,3 kg	3,5 kg
Paino EPTA-menettelyn 01/2014 mukaan (9,0 Ah).....	3,6 kg	3,7 kg	3,9 kg
Bluetooth-taajuus (taajuudet).....	2402-2480 MHz	2402-2480 MHz	2402-2480 MHz
Suurin suurtaajuusteho.....	1,8 dBm	1,8 dBm	1,8 dBm
Bluetooth-versio.....	4.0 BT signal mode	4.0 BT signal mode	4.0 BT signal mode
Suositteltu ympäristön lämpötila työn aikana.....	-18 +50 °C	-18 +50 °C	-18 +50 °C
Suosittelut akkutyypit.....	M18B2, M18B4, M18B5, M18B6, M18B9		
Suosittelut latauslaitteet.....	M12-18C, M12-18AC, M12-18FC, M1418C6		

Melunpäästö-/tärinä tiedot

Mitta-arvot määritetty EN 62841 mukaan. Koneen tyyppillinen A-luokitettu melutaso: Melutaso (Epävarmuus K=3dB(A)).....	94,7 dB (A)	94,9 dB (A)	98,5 dB (A)
Äänenvoimakkuus (Epävarmuus K=3dB(A)).....	105,7 dB (A)	105,9 dB (A)	109,5 dB (A)

Käytä kuulosuojaimia!

Värähtelyn yhteisarvot (kolmen suunnan vektorisumma) mitattuna EN 62841 mukaan.

Värähtelyemissioarvo a _w Suurimman sallitun koon ruuvien ja muttereiden kiristäminen.....	18,4 m/s ²	16,7 m/s ²	15,9 m/s ²
Epävarmuus K=.....	1,5 m/s ²	1,5 m/s ²	1,5 m/s ²

VAROITUS!

Tässä tiedotteessa ilmoitettu (ilmoitetut) tärinä- ja melupäästöarvo(t) on mitattu standardisoidulla testimenetelmällä SFS-EN 62841 mukaisesti ja sitä voidaan käyttää työkalun vertailemiseen toisen työkalun kanssa. Sitä voidaan käyttää alustavaan alistuksen arviointiin.

Ilmoitettu tärinä- ja melupäästöarvo koskee työkalun pääkäyttötarkoituksia. Jos kuitenkin työkalua käytetään eri käyttötarkoituksiin eri varusteiden kanssa tai huonosti huollettuina, voi tärinä- ja melupäästö erota ilmoitetusta. Tämä voi merkittävästi nostaa alistumistasoa koko työskentelyjakson ajaksi.

Arvioidussa tärinä- ja meluallistustasossa tulisi ottaa huomioon myös työkalun sammutuskerrat tai sen tyhjäkäynti. Tämä voi merkittävästi laskea alistumistasoa koko työskentelyjakson ajaksi.

Tunnista esimerkiksi seuraavat lisävaroitimet, joilla voidaan suojata käyttäjää tärinän ja/tai melun vaikutuksilta: työkalun ja varusteiden ylläpito, käsien lämpimänä pito, työnkulun organisointi.

VAROITUS Lue kaikki turvallisuusmääräykset, ohjeet, kuvitukset ja erittelyt, jotka toimitetaan tämän sähkötyökalun mukana. Jäljempänä annettujen ohjeiden noudattamisen laiminlyönti saattaa johtaa sähköiskuun, tulipaloon ja/tai vakavaan loukkaantumiseen.
Säilytä kaikki turvallisuus- ja muut ohjeet tulevaisuutta varten.

RUUVAAJAN TURVALLISUUSOHJEET:

Käytä korvasuojia. Alistuminen melulle voi vahingoittaa kuuloa.

Pitele laitteesta kiinni sen eristetyistä kahvoista suorittaessasi töitä, joiden aikana ruuvi saattaa osua pilossa oleviin sähköjohtoihin. Ruuvien kosketus jännitteelliseen johtoon saattaa tehdä laitteen metalliosat jännitteellisiksi ja aiheuttaa sähköiskun.

TÄYDENTÄVIÄ TURVALLISUUSMÄÄRÄYKSIÄ JA TYÖSKENTELYOHJEITA

Käytä henkilönsuojaimia. Käytä aina suojalaseja. Sopivien suojaruuvien, kuten pölymaskien, liukumattomien jalkineiden, kypärien tai kuulosuojainten käyttö pienentää tapaturmariskiä.

Koneen käytöstä aiheutuva pöly ja jäte voi olla haitallista terveydelle eikä sen vuoksi tulisi päästä kosketukseen ihon kanssa. Koneella työskennellessä on käytettävä sopivaa suojainta.

Terveydellisiä vaaroja aiheuttavien materiaalien (esim. asbestin) työstäminen on kielletty.

Jos käytetty työkalu juuttuu kiinni, sammuta laite heti! Älä kytke laitetta uudelleen päälle työkalun ollessa vielä kiinni juuttuneena, koska tästä saattaa aiheutua voimakas takaisku. Selvitä työkalun juuttumisen syy ja poista syy turvallisuusmääräyksiä noudattaen.

Mahdollisia syitä voivat olla:

- työkalun vinoutuminen työstökappaleessa
- työstetyn materiaalin puhkaiseminen
- sähkötyökalun ylikuormitus

Älä tartu käynnissä olevan koneen työosiin.

Työkalu on teräväreunainen ja voi kuumentua käytön aikana.

VAROITUS! Viiltohaavojen ja palovammojen vaara – työkaluja käytettäessä
– laitetta pois asettaessa.

Käytä työkalujen käsittelyn aikana suojakäsineitä.

Lastuja tai puruja ei saa poistaa koneen käydessä.

Varo seinään, kattoon tai lattiaan porattaessa osumasta sähköjohtoon, kaasu- ja vesijohtoihin.

Varmista työstökappaleesi kiinnityslaitteella paikalleen. Varmistamattomat työstökappaleet saattavat aiheuttaa vakavia vammoja ja vaurioita.

Ota akku pois ennen kaikkia koneeseen tehtäviä toimenpiteitä.

Käytettyjä vaihtoakkuja ei saa polttaa eikä poistaa normaalin jätehuollon kautta. Aeglia on tarjolla vanhoja vaihtoakkuja varten ympäristöystävällinen jätehuoltopalvelu.

Vaihtoakkuja ei saa säilyttää yhdessä metalliesineiden kanssa (oikosulkuvaara).

Käytä ainoastaan System M18 latauslaitetta System M18 akkujen lataukseen. Älä käytä muiden järjestelmien akkuja.

Vaihtoakkuja ja latauslaitteita ei saa avata. Säilytys vain kuivissa tiloissa. Suojattava kosteudelta.

Vaurioituneesta akusta saattaa erityisen kovassa käytössä tai poikkeavassa lämpötilassa vuotaa akkuhappoa. Ihonkohta, joka on joutunut kosketukseen akkuhapon kanssa on viipymättä pestävä vedellä ja saippualla. Silmä, johon on joutunut akkuhappoa, on huuhdeltava vedellä vähintään 10 minuutin ajan, jonka jälkeen on viipymättä hakeuduttava lääkärin apuun.

VAROITUS! Tämä laite sisältää litiuminappipariston. Uusi tai käytetty paristo voi aiheuttaa vaikeita sisäisiä palovammoja ja johtaa kuolemaan alle 2 tunnin aikana, jos se on nolaistuu tai muuten joutunut kehon sisään. Varmista aina paristolokeron kanssi.

Jos se ei sulkeudu pitävästi, sammuta laite, ota paristo pois ja säilytä se poissa lasten ulottuvilta.

Jos uskot, että paristot on nieltä tai ne ovat muuten joutuneet kehon sisälle, hakeudu heti lääkärinhoitoon.

Varoitus! Jotta vältetään lyhytsulun aiheuttama tulipalon, loukkaantumisen tai tuotteen vahingoittumisen vaara, älä koskaan upota työkalua, vaihtoakkua tai latauslaitetta nesteeseen ja huolehdi siitä, ettei mitään nesteitä pääse tunkeutumaan laitteiden tai akkujen sisään. Syövyttävät tai sähköä johtavat nesteet, kuten suolavesi, tietyt kemikaalit ja lalkaisuaineet tai valkaisuaineita sisältävät tuotteet voivat aiheuttaa lyhytsulun.

TARKOITUKSEN MUKAINEN KÄYTTÖ

Akkukäyttöinen iskuruuvinväännin sopii verkosta riippumattomaan ruuvien ja muttereiden kiristämiseen ja irrottamiseen yleiskäytössä.

Älä käytä tuotetta ohjeiden vastaisesti.

EY-VAATIMUSTEN MUKAISUUSVAKUUTUS

Vakuutamme valmistajan ominaisuudessa yksinvastuullisesti, että kohdassa "Tekniset tiedot" kuvattu tuote vastaa kaikkia sitä koskevia direktiivien 2011/65/EU (RoHS), 2014/53/EU, 2006/42/EY määräyksiä sekä seuraavia harmonisoituja standardisioivia asiakirjoja:

EN 62841-1:2015
EN 62841-2-2:2014
EN IEC 55014-1:2021
EN IEC 55014-2:2021
EN 62479:2010
EN 301 489-1 V2.2.3
EN 301 489-17 V3.1.1
EN 300 328V2.2.2
EN IEC 63000:2018

Winnenden, 2022-11-01



Alexander Krug
Managing Director

Valtuutetut kokoamaan tekniset dokumentit.

Technicon Industries GmbH
Max-Eyth-Straße 10
71364 Winnenden
Germany



KÄYTTÖTAVAN VALINTA

EnnKäyttö

Viite: Suosittelemme, että kiinnityksen jälkeen kiristysvääntömomentti tarkastetaan aina vääntömomenttiavaimella.

Kiristysvääntömomenttiin vaikuttavat lukuisat tekijät, joihin kuuluvat seuraavat.

- Akun lataustila - Jos akku on tyhjentynyt, niin jännite laskee ja kiristysvääntömomentti vähenee.
- Kierrosluku - Työkalun käyttö alhaisella nopeudella johtaa vähäisempään kiristysvääntömomenttiin.
- Kiinnitysasema - Tapa, jolla pitelet työkalua tai kiinnitysvälinettä, vaikuttaa kiristysvääntömomenttiin.
- Kierto-/pistolitiöstyökalu - Vääränkokoisien kierto- tai pistolitiöstyökalun käyttö tai sellaisten varusteiden käyttö, jotka eivät ole iskunkestäviä, vähentää kiristysvääntömomenttia.
- Lisävarusteiden ja jatko-osien käyttö - Lisävarusteen tai jatko-osan vuoksi iskuruuvinvääntimen kiristysvääntömomentti saattaa vähentyä.
- Ruuvi/mutteri - kiristysvääntömomentti saattaa vaihdella ruuvien/mutterin läpimitan, pituuden ja lujuusluokan mukaan.
- Kiinnitysosien kunto - Likaantuneet, ruostuneet, kuivat tai rasvatut kiinnitysosat saattavat vaikuttaa kiristysvääntömomenttiin.
- Ruuvattavat kappaleet - Ruuvattavien kappaleiden ja kaikkien niiden välisen rakennuksen lujuus (kuivata tai rasvattu, pehmeä tai kova, levy, tiiviste tai aluslevy) saattaa vaikuttaa kiristysvääntömomenttiin.

RUUVAAJAMISTEKNIKKAA

Mitä pitempään pulttia, ruuvia tai mutteria kuormitetaan iskuruuvivaimella, sitä tiukempaan se kiristetään.

Kiinnitysvälineiden tai työstökappaleiden vahingoittumisen välttämiseksi vältä liiallista iskunkestoa.

Ole erityisen varovainen käsitellessäsi pienempiä kiinnitysvälineitä, koska ne tarvitsevat vähemmän iskua optimaalisen kiristysvääntömomentin saavuttamiseen.

Harjoittele eri kiinnityskappaleilla ja paina mieleesi aika, jonka tarvitset saavuttaaksesi haluamasi kiristysvääntömomentin.

Tarkasta kiristysvääntömomentti käsikäyttöisellä vääntömomenttiavaimella.

Jos kiristysvääntömomentti on liian korkea, lyhennä iskuikaa.

Jos kiristysvääntömomentti ei ole riittävän korkea, pidennä iskuikaa.

Öljy, lika, ruoste tai muut epäpuhtaudet kierteissä tai kiinnitysvälineen kannan alapuolella vaikuttavat kiristysvääntömomentin suuruuteen.

Kiinnitysvälineen irrottamiseen tarvittava vääntömomentti on keskimäärin 75 % - 80 % kiristysvääntömomentista, riippuen liitospintojen kunnosta.

Tee kevyet ruuvaustyöt suhteellisen vähäisellä kiristysvääntömomentilla ja käytä lopulliseen kiristämiseen käsikäyttöistä vääntömomenttiavainta.

KÄYTTÖTAVAN VALINTA

Ennen käyttötavan valintaa odota, kunnes laite on pysähtynyt täysin. Muuta asetuksia painamalla painiketta . Paina WiFi-painiketta  muuttaaksesi ONE-KEY-sovelluksella älypuhelimesi esiasetetut arvot.

ONE-KEY™

Lisätietoja tämän työkalun ONE KEY -toimivuudesta saat lukemalla oheistetun pikäkäynnistysohjeen tai siirtymällä verkkoon osoitteeseen www.milwaukeetool.com/one-key. Voit ladata ONE KEY -sovelluksen älypuhelimiesi App Storen tai Google Playn kautta.

Jos laitteeseen tulee sähköstaattisten purkausten aiheuttama häiriö, niin LED-nopeusnäyttö sammuu eikä nopeutta voi enää säädellä. Jos näin käy, ota vaihtoakku ja nappiparisto pois ja pane ne sitten uudelleen paikalleen (katso sivu 6 ja sivu 15). Sähköstaattisten purkausten aiheuttamat häiriöt johtavat myös bluetooth-yhteyden katkeamiseen. Siinä tapauksessa Bluetooth-yhteys täytyy luoda uudelleen manuaalisesti.

ONE-KEY™-näyttö	
Sininen valo	Radioyhteys on aktiivinen ja sitä voi säätää ONE-KEY™ App-sovelluksella.
Sininen vilkkuvalo	Työkalu vaihtaa viestejä ONE-KEY™ App-sovelluksen kanssa.
Punainen vilkkuvalo	Työkalun käyttö on estetty turvallisuussyistä, käyttäjä voi vapauttaa sen ONE-KEY™ App-sovelluksella.

AKKU

Pitkään käyttämättä olleet vaihtoakut on ladattava ennen käyttöä.

Yli 50°C lämpötilassa akun suorituskyky heikkenee. Välttämättä akkujen säilyttämistä auringossa tai kuumissa tiloissa.

Pidä aina latauslaitteen ja akun kosketinpinnat puhtaina.

Optimaalisen käyttöiän saavuttamiseksi akut on ladattava täyteen käytön jälkeen.

Mahdollisimman pitkän elinajan takaamiseksi akut tulee poistaa laturista lataamisen jälkeen.

Akkuja yli 30 päivää säilytettäessä:

Säilytä akku yli 27 °C:ssa ja kuivassa.

Säilytä akku sen latauksen ollessa 30 % - 50 %.

Lataa akku 6 kuukauden välein uudelleen.

AKUN YLIKUORMITUSUJOUJAS

Jos akku ylikuormittuu erittäin suuren virrankulutuksen vuoksi, esim. erittäin suurten vääntömomenttien, porantherän kiinnijuuuttamisen, äkillisen pysähtymisen tai lyhytsulun vuoksi, niin sähkötyökalu surisee 2 sekunnin ajan ja sammuu sitten omatoimisesti.

Käynnistä laite uudelleen päästämällä katkaisinpainike irti ja kytkemällä se sitten uudelleen.

Erittäin suuressa kuormituksessa saattaa akku kuumeta liikaa. Tässä tapauksessa akku kytkeytyy pois.

LITIUMI-IONI AKKUKUJEN KULJETTAMINEN

Litiumi-ioniakut kuuluvat vaarallisten aineiden kuljetuksesta annettujen lakien piiriin.

Näiden akkujen kuljettaminen täytyy suorittaa noudattaen paikallisia, kansallisia ja kansainvälisiä määräyksiä ja säädöksiä.

- Kuluttajat saavat ilman muuta kuljettaa näitä akkuja teitä pitkin.

- Kaupallisessa kuljetuksessa huolintaliikkeiden täytyy kuljettaa litiumi-ioniakkuja vaarallisten aineiden kuljetuksesta annettujen määräysten mukaisesti. Ainoastaan tähän vastaavasti koulutetut henkilöt saavat suorittaa kuljetuksen valmistelutoimet ja itse kuljetuksen. Koko prosessia tulee valvoa asiantuntevasti.

Seuraavat kohdat tulee huomioida akkuja kuljetettaessa:

- Varmista, että akkujen kontaktit on suojattu ja eristetty, jotta vältetään lyhytsulut.

- Huolehdi siitä, ettei akkusarja voi luiskahtaa paikaltaan pakkauksen sisällä.

- Vahingoittuneita tai vuotavia akkuja ei saa kuljettaa.

Pyydä tarkemmat tiedot huolintaliikkeeltäsi.

HUOLTO

Huolto-ohjeet löytyvät ONE KEY -sovelluksesta.

Käytä ainoastaan Milwaukee lisätarvikkeita ja Milwaukee varaosia.

Mikäli jokin komponentti, jota ei ole kuvailtu, tarvitsee vaihtoa ota yhteys johonkin Milwaukee palvelupisteistä (kts. listamme takuuhuoltoilikkeiden palvelupisteiden osoitteista)

Tarvittaessa voit pyytää laitteen räjähdyspiirustuksen ilmoittaan konetyypin ja tyyppikilvessä olevan kuusinumeroisen luvun huoltopalvelustasi tai suoraan osoitteella Techtronic Industries GmbH, Max-Eyth-Strasse 10, 71364 Winnenden, Saksa.

SYMBOLIT

	HUOMIO! VAROITUS! VAARA!
	Ota akku pois ennen kaikkia koneeseen tehtäviä toimenpiteitä.
	Lue käyttöohjeet huolellisesti, ennen koneen käynnistämistä.
	Käytä suojakäsineitä!
	Nappiparistoa ei saa nielaista!
	Älä hävitä käytettyjä paristoja, sähkö- ja elektroniikkaromua lajittelemattomana yhdyskuntajätteenä. Käytetyt paristot sekä sähkö- ja elektroniikkaromu on kerättävä erikseen. Käytetyt paristot, romuakut ja valonlähteet on irrotettava laitteista.
	Älä hävitä käytettyjä paristoja, sähkö- ja elektroniikkaromua lajittelemattomana yhdyskuntajätteenä. Käytetyt paristot sekä sähkö- ja elektroniikkaromu on kerättävä erikseen. Käytetyt paristot, romuakut ja valonlähteet on irrotettava laitteista.
	Kysy paikallisilta viranomaisilta tai jälleenmyyjiltä neuvoa kierrättämiseen ja tietoa keräyspisteestä. Paikalliset säännökset saattavat velvoittaa vähittäiskauppiaat ottamaan käytetyt paristot, sähkö- ja elektroniikkaromun takaisin maksutta.
	Panosesi käytettyjen paristojen sekä sähkö- ja elektroniikkalaiteromun uudelleenkäytössä ja kierrätyksessä auttaa vähentämään raaka-aineiden kysyntää.
	Käytetyt paristot, etenkin litiumia sisältävät, sekä sähkö- ja elektroniikkaromu sisältävät arvokkaita, kierrätettäviä materiaaleja, jotka saattavat vaikuttaa haitallisesti ympäristöön ja ihmisten terveyteen, jos niitä ei hävitetä ympäristöstä väkivalisesti.
	Poista mahdolliset henkilökohtaiset tiedot hävitettävästä laitteesta.
	Kuormittamaton kierrosaluku
	Jännite
	Tasavirta
	Euroopan säännönmukaisuusmerkki
	Britannian säännönmukaisuusmerkki
	Ukrainan säännönmukaisuusmerkki
	Euraasian säännönmukaisuusmerkki

TEKNIIKA SITOIEIA	PAALMIKO KATZABIAI MPAPIAIAZ	M18 ONEFHWP12	M18 ONEFHWF12	M18 ONEFHWF34
Arhimos paraonhgis	4671 85 04.....	4671 95 04.....	4672 05 04.....
	Arhimos stroforhn khuris fortio0-950 min ⁻¹0-550 min ⁻¹0-800 min ⁻¹
	Arhimos stroforhn khuris fortio0-1500 min ⁻¹0-1400 min ⁻¹0-1300 min ⁻¹
	Arhimos stroforhn khuris fortio0-1800 min ⁻¹0-1750 min ⁻¹0-1800 min ⁻¹
	Arhimos stroforhn khuris fortio0-1800 min ⁻¹0-1750 min ⁻¹0-1800 min ⁻¹
	Arhimos stroforhn khuris fortio0-1800 min ⁻¹0-1750 min ⁻¹0-1800 min ⁻¹
	Arhimos stroforhn khuris fortio0-1800 min ⁻¹0-1750 min ⁻¹0-1800 min ⁻¹
	Arhimos stroforhn khuris fortio0-1800 min ⁻¹0-1750 min ⁻¹0-1800 min ⁻¹
	Arhimos stroforhn khuris fortio0-1800 min ⁻¹0-1750 min ⁻¹0-1800 min ⁻¹
	Arhimos stroforhn khuris fortio0-1800 min ⁻¹0-1750 min ⁻¹0-1800 min ⁻¹
	Arhimos stroforhn khuris fortio0-1800 min ⁻¹0-1750 min ⁻¹0-1800 min ⁻¹
	Arhimos stroforhn khuris fortio0-1800 min ⁻¹0-1750 min ⁻¹0-1800 min ⁻¹
	Arhimos stroforhn khuris fortio0-1800 min ⁻¹0-1750 min ⁻¹0-1800 min ⁻¹
	Arhimos stroforhn khuris fortio0-1800 min ⁻¹0-1750 min ⁻¹0-1800 min ⁻¹
	Arhimos stroforhn khuris fortio0-1800 min ⁻¹0-1750 min ⁻¹0-1800 min ⁻¹
	Arhimos stroforhn khuris fortio0-1800 min ⁻¹0-1750 min ⁻¹0-1800 min ⁻¹
	Arhimos stroforhn khuris fortio0-1800 min ⁻¹0-1750 min ⁻¹0-1800 min ⁻¹
	Arhimos stroforhn khuris fortio0-1800 min ⁻¹0-1750 min ⁻¹0-1800 min ⁻¹
	Arhimos stroforhn khuris fortio0-1800 min ⁻¹0-1750 min ⁻¹0-1800 min ⁻¹
	Arhimos stroforhn khuris fortio0-1800 min ⁻¹0-1750 min ⁻¹0-1800 min ⁻¹
	Arhimos stroforhn khuris fortio0-1800 min ⁻¹0-1750 min ⁻¹0-1800 min ⁻¹
	Arhimos stroforhn khuris fortio0-1800 min ⁻¹0-1750 min ⁻¹0-1800 min ⁻¹
	Arhimos stroforhn khuris fortio0-1800 min ⁻¹0-1750 min ⁻¹0-1800 min ⁻¹
	Arhimos stroforhn khuris fortio0-1800 min ⁻¹0-1750 min ⁻¹0-1800 min ⁻¹
	Arhimos stroforhn khuris fortio0-1800 min ⁻¹0-1750 min ⁻¹0-1800 min ⁻¹
	Arhimos stroforhn khuris fortio0-1800 min ⁻¹0-1750 min ⁻¹0-1800 min ⁻¹
	Arhimos stroforhn khuris fortio0-1800 min ⁻¹0-1750 min ⁻¹0-1800 min ⁻¹
	Arhimos stroforhn khuris fortio0-1800 min ⁻¹0-1750 min ⁻¹0-1800 min ⁻¹
	Arhimos stroforhn khuris fortio0-1800 min ⁻¹0-1750 min ⁻¹0-1800 min ⁻¹
	Arhimos stroforhn khuris fortio0-1800 min ⁻¹0-1750 min ⁻¹0-1800 min ⁻¹
	Arhimos stroforhn khuris fortio0-1800 min ⁻¹0-1750 min ⁻¹0-1800 min ⁻¹
	Arhimos stroforhn khuris fortio0-1800 min ⁻¹0-1750 min ⁻¹0-1800 min ⁻¹
	Arhimos stroforhn khuris fortio0-1800 min ⁻¹0-1750 min ⁻¹0-1800 min ⁻¹
	Arhimos stroforhn khuris fortio0-1800 min ⁻¹0-1750 min ⁻¹0-1800 min ⁻¹
	Arhimos stroforhn khuris fortio0-1800 min ⁻¹0-1750 min ⁻¹0-1800 min ⁻¹
	Arhimos stroforhn khuris fortio0-1800 min ⁻¹0-1750 min ⁻¹0-1800 min ⁻¹
	Arhimos stroforhn khuris fortio0-1800 min ⁻¹0-1750 min ⁻¹0-1800 min ⁻¹
	Arhimos stroforhn khuris fortio0-1800 min ⁻¹0-1750 min ⁻¹0-1800 min ⁻¹
	Arhimos stroforhn khuris fortio0-1800 min ⁻¹0-1750 min ⁻¹0-1800 min ⁻¹
	Arhimos stroforhn khuris fortio0-1800 min ⁻¹0-1750 min ⁻¹0-1800 min ⁻¹
	Arhimos stroforhn khuris fortio0-1800 min ⁻¹0-1750 min ⁻¹0-1800 min ⁻¹
	Arhimos stroforhn khuris fortio0-1800 min ⁻¹0-1750 min ⁻¹0-1800 min ⁻¹
	Arhimos stroforhn khuris fortio0-1800 min ⁻¹0-1750 min ⁻¹0-1800 min ⁻¹
	Arhimos stroforhn khuris fortio0-1800 min ⁻¹0-1750 min ⁻¹0-1800 min ⁻¹
	Arhimos stroforhn khuris fortio0-1800 min ⁻¹0-1750 min ⁻¹0-1800 min ⁻¹
	Arhimos stroforhn khuris fortio0-1800 min ⁻¹0-1750 min ⁻¹0-1800 min ⁻¹
	Arhimos stroforhn khuris fortio0-1800 min ⁻¹0-1750 min ⁻¹0-1800 min ⁻¹
	Arhimos stroforhn khuris fortio0-1800 min ⁻¹0-1750 min ⁻¹0-1800 min ⁻¹
	Arhimos stroforhn khuris fortio0-1800 min ⁻¹0-1750 min ⁻¹0-1800 min ⁻¹
	Arhimos stroforhn khuris fortio0-1800 min ⁻¹0-1750 min ⁻¹0-1800 min ⁻¹
	Arhimos stroforhn khuris fortio0-1800 min ⁻¹0-1750 min ⁻¹0-1800 min ⁻¹
	Arhimos stroforhn khuris fortio0-1800 min ⁻¹0-1750 min ⁻¹0-1800 min ⁻¹
	Arhimos stroforhn khuris fortio0-1800 min ⁻¹0-1750 min ⁻¹0-1800 min ⁻¹
	Arhimos stroforhn khuris fortio0-1800 min ⁻¹0-1750 min ⁻¹0-1800 min ⁻¹
	Arhimos stroforhn khuris fortio0-1800 min ⁻¹0-1750 min ⁻¹0-1800 min ⁻¹
	Arhimos stroforhn khuris fortio0-1800 min ⁻¹0-1750 min ⁻¹0-1800 min ⁻¹
	Arhimos stroforhn khuris fortio0-1800 min ⁻¹0-1750 min ⁻¹0-1800 min ⁻¹
	Arhimos stroforhn khuris fortio0-1800 min ⁻¹0-1750 min ⁻¹0-1800 min ⁻¹
	Arhimos stroforhn khuris fortio0-1800 min ⁻¹0-1750 min ⁻¹0-1800 min ⁻¹
	Arhimos stroforhn khuris fortio0-1800 min ⁻¹0-1750 min ⁻¹0-1800 min ⁻¹
	Arhimos stroforhn khuris fortio0-1800 min ⁻¹0-1750 min ⁻¹0-1800 min ⁻¹
	Arhimos stroforhn khuris fortio0-1800 min ⁻¹0-1750 min ⁻¹0-1800 min ⁻¹
	Arhimos stroforhn khuris fortio0-1800 min ⁻¹0-1750 min ⁻¹0-1800 min ⁻¹
	Arhimos stroforhn khuris fortio0-1800 min ⁻¹0-1750 min ⁻¹0-1800 min ⁻¹
	Arhimos stroforhn khuris fortio0-1800 min ⁻¹0-1750 min ⁻¹0-1800 min ⁻¹
	Arhimos stroforhn khuris fortio0-1800 min ⁻¹0-1750 min ⁻¹0-1800 min ⁻¹
	Arhimos stroforhn khuris fortio0-1800 min ⁻¹0-1750 min ⁻¹0-1800 min ⁻¹
	Arhimos stroforhn khuris fortio0-1800 min ⁻¹0-1750 min ⁻¹0-1800 min ⁻¹
	Arhimos stroforhn khuris fortio0-1800 min ⁻¹0-1750 min ⁻¹0-1800 min ⁻¹
	Arhimos stroforhn khuris fortio0-1800 min ⁻¹0-1750 min ⁻¹0-1800 min ⁻¹
	Arhimos stroforhn khuris fortio0-1800 min ⁻¹0-1750 min ⁻¹0-1800 min ⁻¹
	Arhimos stroforhn khuris fortio0-1800 min ⁻¹0-1750 min ⁻¹0-1800 min ⁻¹
	Arhimos stroforhn khuris fortio0-1800 min ⁻¹0-1750 min ⁻¹0-1800 min ⁻¹
	Arhimos stroforhn khuris fortio0-1800 min ⁻¹0-1750 min ⁻¹0-1800 min ⁻¹
	Arhimos stroforhn khuris fortio0-1800 min ⁻¹0-1750 min ⁻¹0-1800 min ⁻¹

Κατά τις εργασίες σε τοίχο, οροφή ή δάπεδο προσέχετε για τυχόν ηλεκτρικά καλώδια και για σωλήνες αερίου και νερού.

Ασφαλίστε το προς καταργασία κομμάτι στη μέγγενη ή με μια άλλη διάταξη στερέωσης. Μην ασφαλισμένα προς καταργασία κομμάτια μπορεί να προκαλέσουν σοβαρούς τραυματισμούς και ζημιές.

Πριν από κάθε εργασία στη μηχανή αφαιρείτε την ανταλλακτική μπαταρία.

Μην πετάτε τις μεταχειρισμένες ανταλλακτικές μπαταρίες στη φυλά ή στα οικιακά απορρίμματα. Η Milwaukee προσφέρει μια απόσυρση των παλιών ανταλλακτικών μπαταριών σύμφωνα με τους κανόνες προστασίας του περιβάλλοντος, ρωτήστε παρακαλώ σχετικά στο ειδικό κατάστημα πώλησης.

Μην αποθηκεύετε τις ανταλλακτικές μπαταρίες μαζί με μεταλλικά αντικείμενα (κίνδυνος βραχυκυκλώματος).

Φορτίζετε τις ανταλλακτικές μπαταρίες του συστήματος M18 μόνο με φορτιστές του συστήματος M18. Μην φορτίζετε μπαταρίες από άλλα συστήματα.

Μην ανοίγετε τις ανταλλακτικές μπαταρίες και τους φορτιστές και χρησιμοποιείτε για αποθήκευση μόνο στεγνούς χώρους. Προστατεύετε τις ανταλλακτικές μπαταρίες και τους φορτιστές από την υγρασία.

Όταν υπάρχει υπερβολική καταπόνηση ή υψηλή θερμοκρασία μπορεί να τρέξει υγρό μπαταρίας από τις χαλασμένες επαναφορτιζόμενες μπαταρίες. Αν έρθετε σε επαφή με υγρό μπαταρίας να πλυθείτε αμέσως με νερό και σαπούνι. Σε περίπτωση επαφής με τα μάτια να πλυθείτε σχολαστικά για τουλάχιστον 10 λεπτά και να αναζηήσετε αμέσως ένα γιατρό.

⚠️ ΠΡΟΕΙΔΟΠΟΙΗΣΗ! Αυτή η συσκευή περιέχει μπαταρίες λίθιου σε σχήμα κουμπιού.

Μια καινούργια ή μεταχειρισμένη μπαταρία μπορεί να προκαλέσει σοβαρά εσωτερικά εγκαύματα και εντός 2 ωρών τον θάνατο, εάν καταποθεί ή διεισθύσει στον οργανισμό. Να ασφαλίξετε πάντα το καπάκι της θήκης μπαταρίας.

Εάν δεν κλείνει ασφαλώς, απενεργοποιήστε τη συσκευή, αφαιρέστε τη μπαταρία και κρατήστε την μακριά από παιδιά. Εάν νομίζετε πως καταποθήκαν μπαταρίες ή διεισδυσαν στον οργανισμό, συμβουλευθείτε αμέσως έναν γιατρό.

Προειδοποίηση! Για να αποτρέπεται τον κίνδυνο πυρκαγιάς λόγω βραχυκυκλώματος, τραυματισμούς ή ζημιές του προϊόντος, να μη βυθίζετε το εργαλείο, τον ανταλλακτικό συσσωρευτή ή τη συσκευή φόρτισης σε υγρά και να μην φορτίζετε, ώστε να μη διεισθύσουν υγρά στις συσκευές και τους συσσωρευτές. Διαβρωτικές ή αγώγιμες υγρές ουσίες, όπως αλατόνερο, ορισμένες χημικές ουσίες και λευκαντικά ή προϊόντα που περιέχουν λευκαντικά, μπορεί να προκαλέσουν βραχυκύκλωμα.

ΧΡΗΣΗ ΣΥΜΦΩΝΑ ΜΕ ΤΟ ΣΚΟΠΟ ΠΡΟΟΡΙΣΜΟΥ

Ο κρουστικός βιδωτήρας με συσσωρευτή προσφέρει πολλές δυνατότητες χρήσης για το βίδωμα και ξεβίδωμα βιδών και παζιμαδιών, ανεξάρτητα από το ρεύμα του δικτύου.

Αυτή η συσκευή επιτρέπεται να χρησιμοποιηθεί μόνο σύμφωνα με τον αναφερόμενο σκοπό προορισμού.

ΔΗΛΩΣΗ ΣΥΜΜΟΡΦΩΣΗΣ ΕΚ

Ως κατασκευαστής δηλώνουμε υπεύθυνα ότι το προϊόν που περιγράφεται στο κεφάλαιο «Τεχνικά Χαρακτηριστικά» είναι συμβατό με όλες τις σχετικές διατάξεις των Κοινοτικών Οδηγιών 2011/65/EU (RoHS), 2014/53/EE, 2006/42/EK και τα ακόλουθα εναρμονισμένα κανονιστικά έγγραφα:

EN 62841-1:2015
EN 62841-2-2:2014
EN IEC 55014-1:2021
EN IEC 55014-2:2021
EN 62479:2010
EN 301 489-1 V2.2.3
EN 301 489-17 V3.1.1
EN 300 328V2.2.2
EN IEC 63000:2018

Winnenden, 2022-11-01

Alexander Krug

Alexander Krug
Managing Director

Εξουσιοδοτημένος να συντάξει τον τεχνικό φάκελο.

Techtronic Industries GmbH
Max-Eyth-Straße 10
71364 Winnenden
Germany



ΧΕΙΡΙΣΜΟΣ

Υπόδειξη: Μετά τη στερέωση συνιστάται πάντα ο έλεγχος της ροπής ασφαρίξεως με ένα δυναμοκλειδί.

Η ροπή σύσφιξης επηρεάζεται από ένα μεγάλο αριθμό παραγόντων, συμπεριλαμβανομένων των ακόλουθων.

- Κατάσταση φόρτισης της μπαταρίας - Εάν εκφορτιστεί η μπαταρία, μπορεί να πέσει η τάση και να μειωθεί η ροπή σύσφιξης.
- Αριθμός στροφών - Η χρήση του εργαλείου με χαμηλή ταχύτητα οδηγεί σε μια πιο χαμηλή ροπή σύσφιξης.
- Θέση στερέωσης - Ο τρόπος, με τον οποίο κρατάτε το εργαλείο και το στοιχείο στερέωσης, επηρεάζει τη ροπή σύσφιξης.
- Περιστρεφόμενο/βυσματούμενο ένθεματ - Η χρήση ενός περιστρεφόμενου ή βυσματούμενου ενθέματος με λανθασμένο μέγεθος ή η χρήση ενός μη ανθεκτικού σε κρούσεις προσαρτώμενου εξαρτήματος μειώνει τη ροπή σύσφιξης.
- Χρήσιμοποίηση προσαρτώμενων εξαρτημάτων και προεκτάσεων - Η ροπή σύσφιξης του κρουστικού καταβήδιού μπορεί να μειωθεί ανάλογα με το προσαρτώμενο εξάρτημα ή την προέκταση.
- Κοχλίας/περικόχλιο - Η ροπή σύσφιξης μπορεί να διαφέρει ανάλογα με τη διάμετρο, το μήκος και την κατηγορία αντοχής του κοχλία/περικολίου.
- Κατάσταση των στοιχείων στερέωσης - Ακάθαρτα, διαβρωμένα, στεγνά ή λπασμένα στοιχεία στερέωσης μπορεί να επηρεάζουν τη ροπή σύσφιξης.
- Τα εξαρτήματα που θα βιδωθούν - Η αντοχή των εξαρτημάτων που θα βιδωθούν, και κάθε ενδιάμεσο δομικό στοιχείο (στεγνό ή λπασμένο, σκληρό ή μαλακό, ροδέλα, παρεμβύσμα στεγανοποίησης ή διακοεδής δακτύλιος) μπορεί να επηρεάζουν τη ροπή σύσφιξης.

ΤΕΧΝΙΚΕΣ ΒΙΔΩΜΑΤΟΣ

Όσο περισσότερο επιβάρυνεται ένα μπουλόνι, μια βίδα ή ένα παξιμάδι με το κρουστικό καταβήδι, τόσο πιο σταθερά σφίγγεται.

Για να αποτρέπτε ζημιές των μέσων στερέωσης ή των καταργαζόμενων τεμαχίων, αποφεύγετε την υπερβολική διάρκεια κρούσης.

Να προσέχετε ιδιαίτερα, όταν χρησιμοποιείτε μικρότερα μέσα στερέωσης, επειδή αυτά χρειάζονται λιγότερες κρούσεις για την επίτευξη μιας ιδανικής ροπής ασφαρίξεως.

Εξασκηθείτε με διάφορα στοιχεία στερέωσης και κρατήστε στη μνήμη σας το χρόνο που χρειάζεστε για την επίτευξη της επιθυμητής ροπής ασφαρίξεως.

Ελέγξτε τη ροπή σύσφιξης με ένα δυναμομετρικό κλειδί σύσφιξης χειρός.

Εάν είναι πολύ υψηλή η ροπή σύσφιξης, μειώστε τη διάρκεια κρούσης.

Εάν δεν επαρκεί η ροπή σύσφιξης, αυξήστε τη διάρκεια κρούσης.

Λάδι, ρύπανση, σκουριά ή άλλες ακαθαρσίες στα σπειρώματα ή κάτω από την κεφαλή του μέσου στερέωσης επηρεάζουν το ύψος της ροπής ασφαρίξεως.

Η ροπή που απαιτείται για το ξεβίδωμα ενός μέσου στερέωσης, ανέρχεται κατά μέσον όρο σε 75% έως 80% της ροπής ασφαρίξεως, εξαρτώμενη από την κατάσταση των επιφανειών επαφής.

Να εκτελείτε ελαφριές εργασίες βιδώματος με μια σχετικά χαμηλή ροπή σύσφιξης και να χρησιμοποιείτε ένα δυναμομετρικό κλειδί σύσφιξης χειρός για το τελικό σφίξιμο.

ΕΠΙΛΟΓΗ ΤΟΥ ΕΙΔΟΥΣ ΛΕΙΤΟΥΡΓΙΑΣ

Πριν την αλλαγή του είδους λειτουργίας περιμένετε μέχρι να ακινητοποιηθεί η συσκευή πλήρως. Για να αλλάξετε τις ρυθμίσεις, πιέζετε το πλήκτρο . Πιέστε το πλήκτρο WLAN , για να αλλάξετε τις προκαθορισμένες τιμές μέσω του ONE-KEY App στο Smartphone σας.

ONE-KEY™

Προς περαιτέρω ενημέρωση περί της λειτουργικότητας ONE-KEY αυτού του εργαλείου διαβάστε τις συνημμένες οδηγίες ταχείας εκκίνησης ή επισκεφτείτε μας στο διαδικτυο στην ιστοσελίδα www.milwaukeeool.com/one-key. Μπορείτε να κατεβάσετε το ONE-KEY App στο Smartphone σας από το App Store ή το Google Play.

Εάν διαταραχθεί η λειτουργία της συσκευής από ηλεκτροστατικές εκκενώσεις, τότε σβήνει η φωτοδιόδος της ένδειξης ταχύτητας και η ταχύτητα δεν μπορεί πλέον να ρυθμίζεται. Σε αυτή την περίπτωση αφαιρείτε το συσσωρευτή και την κεραματοειδή μπαταρία και τα τοποθετείτε εκ νέου (βλέπε σελίδα 6 και σελίδα 15). Μέσω παρεμβολών που οφείλονται σε ηλεκτροστατικές εκκενώσεις, διακόπεται και η τηλεπικοινωνία Bluetooth. Σε αυτή την περίπτωση πρέπει να γίνεται η σύνδεση Bluetooth χειροκίνητα.

Ένδειξη ONE-KEY™

Μπλε φως	Η ασύρματη σύνδεση έχει ενεργοποιηθεί και μπορεί να ρυθμιστεί με την εφαρμογή ONE-KEY™.
Αναβοσβήνει μπλε	Το εργαλείο επικοινωνεί με την εφαρμογή ONE-KEY™.
Αναβοσβήνει κόκκινο	Για λόγους ασφαλείας μπλοκαρίστηκε το εργαλείο και μπορεί να απασφαλιστεί από το χειριστή μέσω της εφαρμογής ONE-KEY™.

ΜΠΑΤΑΡΙΞ

Επαναφορτίζετε τις ανταλλακτικές μπαταρίες που δεν έχουν χρησιμοποιηθεί για μεγαλύτερο χρονικό διάστημα πριν τη χρήση.

Μια θερμοκρασία πάνω από 50°C μειώνει την ισχύ της ανταλλακτικής μπαταρίας. Αποφύγετε τη θέρμανση για μεγαλύτερο χρονικό διάστημα από τον ήλιο ή τις συσκευές θέρμανσης.

Διατηρείτε τις επαφές σύνδεσης στο φορτιστή και στην ανταλλακτική μπαταρία καθαρές.

Για μια άριστη διάρκεια ζωής πρέπει μετά τη χρήση οι μπαταρίες να φορτιστούν πλήρως.

Για μια κατά το δυνατόν μεγάλη διάρκεια ζωής οι μπαταρίες μετά τη φόρτιση οφείλουν να αφαιρεθούν από το φορτιστή.

Για την αποθήκευση της μπαταρίας για διάστημα μεγαλύτερο των 30 ημερών: Αποθηκεύετε τη μπαταρία περ. στους 27°C σε στεγνό χώρο. Αποθηκεύετε τη μπαταρία περ. στο 30%-50% της κατάστασης φόρτισης. Κάθε 6 μήνες φορτίζετε εκ νέου τη μπαταρία.

ΠΡΟΣΤΑΣΙΑ ΥΠΕΡΦΟΡΤΩΣΗΣ ΤΗΣ ΜΠΑΤΑΡΙΑΣ

Σε υπερφόρτωση της μπαταρίας από πολύ υψηλή κατανάλωση ρεύματος, π. χ. από ακραίες υψηλές ροπές περιστροφής, μπλοκάρισμα του τρυπανιού, ξαφνικό στόπ ή βραχυκύκλωμα, βουίζει το ηλεκτρικό εργαλείο για 2 δευτερόλεπτα και απενεργοποιείται αυτόματα.

Για μια νέα ενεργοποίηση, αφήνετε ελεύθερο το διακόπτη και στη συνέχεια ενεργοποιείτε εκ νέου.

Κάτω από ακραίες καταπονήσεις μπορεί η μπαταρία να θερμανθεί πολύ. Στην περίπτωση αυτή η μπαταρία απενεργοποιείται.

ΜΕΤΑΦΟΡΑ ΤΩΝ ΜΠΑΤΑΡΙΩΝ ΙΟΝΤΩΝ ΛΙΘΙΟΥ

Οι μπαταρίες ιόντων λιθίου υπόκεινται στις απαιτήσεις των νομικών διατάξεων για την μεταφορά επικινδύνων εμπορευμάτων.

Η μεταφορά τέτοιων μπαταριών πρέπει να πραγματοποιείται τηρώντας τους τοπικούς, εθνικούς και διεθνείς κανονισμούς και τις αντίστοιχες διατάξεις.

- Επιτρέπεται η μεταφορά τέτοιων μπαταριών στο δρόμο χωρίς περαιτέρω απαιτήσεις.
- Η εμπορική μεταφορά μπαταριών ιόντων λιθίου από εταιρείες μεταφορών υπόκειται στις απαιτήσεις των νομικών διατάξεων για την μεταφορά επικινδύνων εμπορευμάτων. Οι προετοιμασίες αποστολής και η μεταφορά πραγματοποιούνται αποκλειστικά από ειδικά εκπαιδευμένα πρόσωπα. Η συνολική διαδικασία συνοδεύεται από εξειδικευμένο προσωπικό.

Κατά τη μεταφορά μπαταριών ιόντων λιθίου πρέπει να προσέχετε τα εξής:

- Φροντίστε τα σημεία επαφών να είναι προστατευμένα και μονωμένα ώστε να αποφευχθούν βραχυκυκλώματα.
- Προσέξτε το πακέτο μπαταριών να είναι σταθερό μέσα στη συσκευασία και να μη γλιστρά.
- Η μεταφορά μπαταριών που παρουσιάζουν φθορές ή διαρροές δεν επιτρέπεται.

Για περισσότερες πληροφορίες απευθυνθείτε στην εταιρεία μεταφορών.

ΣΥΝΤΗΡΗΣΗ

Υποδείξεις συντήρησης θα βρείτε στο ONE-KEY App.

Χρησιμοποιείτε μόνο αξεσουάρ Milwaukee και ανταλλακτικά Milwaukee. Εξαρτήματα, που η αλλαγή τους δεν περιγράφεται, αντικαθιστώνται σε μια τεχνική υποστήριξη της Milwaukee (βλέπε φυλλάδιο εγγύηση) διευθύνσεις τεχνικής υποστήριξης).

Σε περίπτωση που το χρειαστείτε μπορείτε να παραγγείλετε λεπτομερές σχέδιο της συσκευής αναφέροντας τον τύπο και τον εξαψήφιο αριθμό που βρίσκεται στην πινακίδα τεχνικών χαρακτηριστικών από την εξμπήρηση πελατών ή απευθείας

από την Techtronic Industries GmbH, διεύθυνση Max-Eyth-Straße 10, 71364 Winnenden, Germany.

ΣΥΜΒΟΛΑ	
	ΠΡΟΣΟΧΗ! ΠΡΟΕΙΔΟΠΟΙΗΣΗ! ΚΙΝΔΥΝΟΣ!
	Πριν από κάθε εργασία στη μηχανή αφαιρείτε την ανταλλακτική μπαταρία.
	Παρακαλώ διαβάστε σχολαστικά τις οδηγίες χρήσης πριν από την έναρξη λειτουργίας.
	Να φοράτε προστατευτικά γάντια!
	Μην καπνίζετε την μπαταρία-κουμπί!
	Απόβλητα ηλεκτρικών στηλών και ηλεκτρικού και ηλεκτρονικού εξοπλισμού δεν επιτρέπεται να απορρίπτονται μαζί με τα οικιακά απορρίμματα. Απόβλητα ηλεκτρικών στηλών και ηλεκτρικού και ηλεκτρονικού εξοπλισμού πρέπει να συλλέγονται και να απορρίπτονται ξεχωριστά. Πριν την απόριξη να αφαιρέτε ηλεκτρικές στήλες, συσσωρευτές και λαμπτήρες από τον εξοπλισμό. Ενημερωθείτε από τις τοπικές υπηρεσίες ή από ειδικευμένους εμπόρους σχετικά με κέντρα ανακύκλωσης και συλλογής απορριμμάτων. Ανάλογα με τους τοπικούς κανονισμούς μπορεί να είναι οι έμποροι λιανικής πώλησης υποχρεωμένοι, να παίρνουν πίσω απόβλητα ηλεκτρικών στηλών και ηλεκτρικού και ηλεκτρονικού εξοπλισμού δωρεάν. Συμβάλλετε κι εσείς μέσω επαναχρησιμοποίησης και ανακύκλωσης των αποβλήτων των ηλεκτρικών στηλών, και του ηλεκτρικού και ηλεκτρονικού εξοπλισμού σας στη μείωση της ζήτησης πρώτων υλών. Απόβλητα ηλεκτρικών στηλών (τροπαντός ηλεκτρικών στηλών ιόντων λιθίου) και ηλεκτρονικού και ηλεκτρονικού εξοπλισμού περιέχουν πολύτιμες, επαναχρησιμοποιήσιμες ύλες που μπορεί να βλάψουν το περιβάλλον και την υγεία σας κατά τη μη περιβαλλοντικώς ορθή διάθεσή τους. Πριν την απόριξη να διαγράφετε δεδομένα προσωπικού χαρακτήρα που πιθανόν να υπάρχουν στα απόβλητα του εξοπλισμού σας.
	Αριθμός στροφών χωρίς φορτίο
	Τάση
	Συνεχές ρεύμα
	Ευρωπαϊκά σήμα πιστότητας
	Βρετανικό σήμα πιστότητας
	Ουκρανικό σήμα πιστότητας
	Ευρασιατικό σήμα πιστότητας

TEKNİK VERİLER	VURMALI AKÜ VIDASI	M18 ONEFHWP12	M18 ONEFHWF12	M18 ONEFHWF34
Üretim numarası.....	4671 85 04.....	4671 95 04.....	4672 05 04.....	4672 05 04.....
	...000001-999999	...000001-999999	...000001-999999	...000001-999999
 Boşta ki devir sayısı	0-950 min ⁻¹	0-550 min ⁻¹	0-800 min ⁻¹	0-800 min ⁻¹
 Tepe sayısı	0-1150 min ⁻¹	0-950 min ⁻¹	0-850 min ⁻¹	0-850 min ⁻¹
 Boşta ki devir sayısı	0-1500 min ⁻¹	0-1400 min ⁻¹	0-1300 min ⁻¹	0-1300 min ⁻¹
 Tepe sayısı	0-2100 min ⁻¹	0-1750 min ⁻¹	0-1850 min ⁻¹	0-1850 min ⁻¹
 Boşta ki devir sayısı	0-1800 min ⁻¹	0-1750 min ⁻¹	0-1800 min ⁻¹	0-1800 min ⁻¹
 Tepe sayısı	0-2400 min ⁻¹	0-2100 min ⁻¹	0-2400 min ⁻¹	0-2400 min ⁻¹
 Boşta ki devir sayısı	0-1800 min ⁻¹	0-1750 min ⁻¹	0-1800 min ⁻¹	0-1800 min ⁻¹
 Tepe sayısı	0-2400 min ⁻¹	0-2100 min ⁻¹	0-2400 min ⁻¹	0-2400 min ⁻¹

Tork max.....	1017 Nm.....	1356 Nm.....	1627 Nm.....
Maksimum vida büyüklüğü / somun büyüklüğü Tornavida ucu kovani	M 24.....	M33.....	M33.....
Voltaj değişimli pil	1/2" (13 mm).....	1/2" (13 mm).....	3/4" (19 mm).....
Kartuş akü gerilimi.....	18 V.....	18 V.....	18 V.....
Ağırlığı ise EPTA-üretici 01/2014'e göre (4,0 Ah / 5,0 Ah).....	3,2 kg.....	3,3 kg.....	3,5 kg.....
Ağırlığı ise EPTA-üretici 01/2014'e göre (9,0 Ah).....	3,6 kg.....	3,7 kg.....	3,9 kg.....
Bluetooth frekans bandı (frekans bantları).....	2402-2480 MHz.....	2402-2480 MHz.....	2402-2480 MHz.....
Yüksek frekans gücü.....	1,8 dBm.....	1,8 dBm.....	1,8 dBm.....
Bluetooth sürümü.....	4.0 BT signal mode.....	4.0 BT signal mode.....	4.0 BT signal mode.....
Çalışma sırasında tavsiye edilen ortam sıcaklığı	-18 +50 °C.....	-18 +50 °C.....	-18 +50 °C.....
Tavsiye edilen akü tipleri.....	M18B2, M18B4, M18B5, M18B6, M18B9.....	M18B2, M18B4, M18B5, M18B6, M18B9.....	M18B2, M18B4, M18B5, M18B6, M18B9.....
Tavsiye edilen şarj aletleri.....	M12-18C, M12-18AC, M12-18FC, M1418C6.....	M12-18C, M12-18AC, M12-18FC, M1418C6.....	M12-18C, M12-18AC, M12-18FC, M1418C6.....

Gürültü/Vibrasyon bilgileri

Ölçüm değerleri EN 62841'e göre belirlenmektedir.

Aletin, frekansa bağımlı uluslararası ses basıncı seviyesi değerlendirme eğrisi A'ya göre tipik gürültü seviyesi:

Ses basıncı seviyesi (Tolerans K=3dB(A)).....	94,7 dB (A).....	94,9 dB (A).....	98,5 dB (A).....
Akustik kapasite seviyesi (Tolerans K=3dB(A)).....	105,7 dB (A).....	105,9 dB (A).....	109,5 dB (A).....

Koruyucu kulaklık kullanın!

Toplam titreşim değeri (üç yönün vektör toplamı) EN 62841'e göre belirlenmektedir:

Titreşim emisyon değeri a _n Maksimum ebatta vida ve somunların sıklaması	18,4 m/s ²	16,7 m/s ²	15,9 m/s ²
Tolerans K=.....	1,5 m/s ²	1,5 m/s ²	1,5 m/s ²

UYARI!

Bu bilgi formunda belirtilen titreşim ve gürültü düzeyi EN 62841 uyarınca standart bir test yöntemine göre ölçülmüş olup, bir aleti değerliye karşılaştırmak için kullanılabilir. Bir maruz kalma ön değerlendirmesi için de kullanılabilir.

Beyan edilmiş titreşim ve gürültü emisyon değeri aletin ana uygulamalarını temsil eder. Ancak, alet farklı uygulamalar için veya farklı aksesuarla kullanılır ya da aletin bakımı yetersiz yapılırsa, titreşim ve gürültü emisyonu farklılık gösterebilir. Bu, toplam çalışma süresi boyunca maruz kalma seviyesini önemli ölçüde artırabilir.

Titreşim ve gürültüye maruz kalma seviyesi tahmininde, aletin kapalı olduğu veya çalıştığı, ancak aslında işini yapmadığı süreler de göz önünde bulundurulmalıdır. Bu, toplam çalışma süresi boyunca maruz kalma seviyesini önemli ölçüde azaltabilir.

Operatörü titreşim ve/veya gürültünün etkilerinden korumak için, aletin ve aksesuarların bakımını yapmak, elleri sıcak tutmak ve çalışma biçimlerini düzenlemek gibi ilave güvenlik önlemleri belirleyin.

! UYARI! Bu elektrikli el aletiyi ilgili bütün uyarıları, talimat hükümlerini, gösterimleri ve spesifikasyonları okuyun. Aşağıda açıklanan talimat hükümlerine uyulmadığı takdirde elektrik çarpmalarına, yangınlara ve/veya ağır yaralanmalara neden olunabilir.

Bütün uyarıları ve talimat hükümlerini ileride kullanmak üzere saklayın.

! #TORNAVIDALAR İÇİN GÜVENLİK AÇIKLAMASI:

Koruyucu kulaklık kullanın. Çalışırken çıkan gürültü işitme kayıplarına neden olabilir.

Vidayı bükne ve elektrik hattına maruz kalabilen çalışmalar yaparken cihazın izole edilmiş bulunan tutacak kolundan tutun.

Voltaj altında kalan vida ile temas edilmesi, metal cihaz parçalarına elektrik akımı verebilir ve bu da elektrik çarpmasına neden ol.

! EK GÜVENLİK VE ÇALIŞMA TALİMATLARI

Kişisel koruyucu donanım kullanınız. Her zaman koruyucu bir gözlük kullanın. Tozdan koruyucu maske, kaymayan ayakkabılar, koruyucu baret, kulaklı gibi duruma uygun koruyucu donanımın kullanılması yaralanma riskini azaltır.

Çalışma sırasında ortaya çıkan toz genellikle sağlığı zararlıdır ve bedenize temas etmemelidir. Uygun bir koruyucu toz maskesi kullanın

Sağlık tehlikelerine neden olan malzemelerin işlenmesi yasaktır (örn. asbest).

Uca yerleştirilen takımın bloke olması halinde lütfen cihazı hemen kapatın! Uca yerleştirilen takım bloke olduğu sürece cihazı tekrar çalıştırmayın; bu sırada yüksek reaksiyon momentine sahip bir geri tepme meydana gelebilir. Uca yerleştirilen takımın neden bloke olduğuna bakın ve bu durumu güvenlik uyarılarına dikkat ederek gidin.

Olası nedenler şunlar olabilir:

- İşlenen parça içinde takılma
- İşlenen malzemenin delinmesi
- Elektrikli alete aşırı yük binmesi

Ellerinizi çalışmakta olan makinenin içine uzatmayın.

Uç keskin kenarlıdır ve kullanım sırasında ısınabilir.

İKAZI Kesme ve yanma tehlikesi

– uçların kullanımı sırasında

– cihazın bırakılması sırasında

Uçları kullanırken eldiven giyiniz.

Alet çalışır durumda iken talaş ve kırıntıları temizlemeye çalışmayın.

Duvar, tavan ve zeminde delik açarken elektrik kablolarına, gaz ve su borularına dikkat edin.

İşlenen parçayı bir germe tertibatıyla emniyete alın. Emniyete alınmayan iş parçaları ağır yaralanmalar ve hasarlara neden olabilir.

Aletin kendinde bir çalışma yapmadan önce kartuş aküyü çıkarın.

Kullanılmış kartuş aküleri ateşe veya ev çöplerine atmayın. Milwaukee, kartuş akülerin çevreye zarar vermeyecek biçimde tasfiye edilmesine olanak sağlayan hizmet sunar; lütfen bu konuda yetkili satıcınızdan bilgi alın.

Kartuş aküleri metal parça veya eşyalarla birlikte saklamayın (kısa devre tehlikesi).

C18 sistemli kartuş aküleri sadece M18 sistemli şarj cihazları ile şarj edin. Başka sistemli aküleri şarj etmeyin.

Kartuş aküleri ve şarj cihazını açmayın ve sadece kuru yerlerde saklayın. Neme ve ıslanmaya karşı koruyun.

Aşırı zorlanma veya aşırı ısınma sonucu hasar gören kartuş akülerden batarya sıvısı dışarı akabilir. Batarya sıvısı ile temasa gelen yeri hemen bol su ve sabunla yıkayın. Batarya sıvısı gözünüze kaçacak olursa en azından 10 dakika yıkayın ve zaman geçirmeden bir hekime başvurun.

! UYARI! Bu cihazda lityum yassı pil bulunmaktadır. Yeni veya kullanılmış bir pil, yutulması veya vücuda girmesi durumunda vücut içinin ileri derecede yanmasına ve 2 saatten kısa bir sürede ölüme neden olabilir. Pili yuvasının her zaman kapalı tutunuz. Güvenli bir şekilde kapanıyorsa cihazı kapatınız, pili çıkartınız ve çocuklardan uzak tutunuz. Pillerin yutulduğuna veya vücuda girdiğine inanıyorsanız hemen bir hekime başvurunuz.

Uyarı! Bir kısa devreden kaynaklanan yangın, yaralanma veya ürün hasarları tehlikesini önlemek için aleti, güç paketini veya şarj cihazını asla sıvıların içine daldırmayın ve cihazların ve pillerin içine sıvı girmesini önleyiniz. Tuzlu su, belirli kimyasallar, aşartıcı madde veya aşartıcı madde içeren ürünler gibi korozif veya iletken sıvılar kısa devreye neden olabilir.

KULLANIM

Akülü darbeli tork anahtar elektrik akımı şebekesinden bağımsız olarak vida ve somunların sıkılıp gevşetmesinde çok yönlü olarak kullanılabilir.

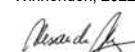
Bu alet sadece belirtildiği gibi ve usulüne uygun olarak kullanılabilir.

AT UYGUNLUK BEYANI

Üretici sıfatıyla tek sorumlu olarak "Teknik Veriler" bölümünde tarif edilen ürünün 2011/65/EU (RoHS), 2014/53/EC, 2006/42/EC sayılı direktifin ve aşağıdaki harmonize temel belgelerin bütün önemli hükümlerine uygun olduğunu beyan etmekteyiz:

EN 62841-1:2015
EN 62841-2-2:2014
EN IEC 55014-1:2021
EN IEC 55014-2:2021
EN 62479:2010
EN 301 489-1 V2.3
EN 301 489-1 V2.3.1
EN 300 328V2.2.2
EN IEC 63000:2018

Winnenden, 2022-11-01



Alexander Krug
Managing Director

Teknik evrakları hazırlamakla görevlendirilmiştir.

Techtronic Industries GmbH
Max-Eyth-Straße 10
71364 Winnenden
Germany



KULLANIM

Uyarı: Sabitlemesinden sonra sıkma momentinin her zaman bir tork anahtarına kontrol edilmesi tavsiye olunur.

Sıkma momenti, aşağıdakiler dahil, bir çok faktör tarafından etkilenir.

- Pilin şarj durumu - Pil boşaldığında voltaj düşer ve sıkma momenti azalır.
- Devir - Takımın düşük bir hızda kullanılması daha düşük sıkma momentine neden olur.
- Sabitleme pozisyonu - Takımı veya sabitleme elemanını ne şekilde tuttuğunuz sıkma momentini etkiler.
- Döner/takma uç - Yanlış boyutlu bir döner veya takma ucun kullanılması veya darbelere dayanıklı olmayan aksesuarların kullanılması sıkma momentini düşürmektedir.
- Aksesuarların ve uzatmaların kullanılması - Aksesuara veya uzatmaya bağlı olarak darbeli vidalama makinesinin sıkma momenti düşebilir.
- Vida/Somun - Sıkma momenti, vidanın/somunun çapına, uzunluğuna ve mukavemet sınıfına göre değişebilir.
- Sabitleme elemanlarının durumu - Kirli, paslanmış, kuru veya yağlanmış sabitleme elemanları sıkma momentini etkileyebilir.
- Vidalanacak parçalar - Vidalanacak parçaların ve aradaki her bir parçanın mukavemeti (kuru veya yağlanmış, yumuşak veya sert, disk, conta veya pul) sıkma momentini etkileyebilir.

VIDALAMA TEKNİKLERİ

Bir pim, bir vida veya bir somuna darbeli vidalama makinesi tarafından ne kadar uzun süre yük uygulanırsa, o kadar fazla sıkılır.

Sabitleme araçları veya iş parçalarında hasarların önlenmesi için aşırı darbe sürelerini kaçınınız.

Küçük sabitleme araçlarına yük uyguladığınızda özellikle dikkatli olunuz, çünkü en iyi sıkma momentine ulaşmak için daha az darbeye gereksinim duymaktadırlar.

Farklı sabitleme elemanlarıyla alıştırmaya yapın ve istenilen sıkma momentine ulaşmak için gereken süreyi aklınızda tutunuz.

Sıkma momentini bir manuel tork anahtarıyla kontrol ediniz.

Sıkma momenti fazla yüksekte darbe süresini azaltınız.

Sıkma momenti yetersizse, darbe süresini artırınız.

Vida dişlerinde veya sabitleme aracının başı altındaki yağ, kir, pas veya başka kirlenmeler sıkma momentinin yüksekliğini etkilemektedir.

Bir sabitleme aracını sıkı tutmak için gerekli tork, kontak yüzeylerinin durumuna bağlı, ortalama sıkma momentinin %75 ile %80'i arasındadır.

Hafif vidalama işlerini nispeten düşük bir sıkma momentiyile yapınız ve kesin olarak sıkılmak için bir manuel tork anahtarı kullanınız.

İŞLETME MODUNUN SEÇİLMESİ

İşletme modunu değiştirmeden önce aletin tamamıyla durmasını bekleyiniz. Ayarları değiştirmek için tuşuna basınız. Önceden ayarlanmış değerleri akıllı telefonunuz üzerindeki ONE-KEY uygulaması üzerinden değiştirmek için WLAN tuşuna basınız.

ONE-KEY™

Bu aletin ONE-KEY fonksiyonelliği hakkında daha fazla bilgi edinmek için yanında bulunan kısa kullanma kılavuzuna bakınız veya bizi www.milwaukeeool.com/one-key adresindeki internet sitemizde ziyaret ediniz. ONE-KEY uygulamasını App Store veya Google Play üzerinden akıllı telefonunuza yükleyebilirsiniz.

Cihaz elektrostatik deşarj olaylarından dolayı parazitler maruz kaldığında LED hız göstergesi kapanır ve hız ayarlanamaz. Bu durumda değiştirilebilir aküyü ve düğme pili çıkartın ve yerine yenisini yerleştiriniz (sayfa 6 ve sayfa 15).

Elektrostatik deşarj olaylarının neden olduğu parazitler Bluetooth iletişiminde de kesintilerine yol açmaktadır. Bu durumda Bluetooth bağlantı manuel olarak tekrar oluşturulmak zorundadır.

ONE-KEY™ göstergesi

Mavi yanar lamba	Telsiz bağlantısı aktif ve ONE-KEY™ uygulaması üzerinden ayarlanabilir.
Mavi yanıp sönen lamba	Takım ONE-KEY™ uygulaması ile iletişimde.
Kırmızı yanıp sönen lamba	Takım güvenlikle ilgili nedenlerden dolayı bloke ve kullanıcı tarafından ONE-KEY™ uygulaması üzerinden bloke durum kaldırılabilir.

AKÜ

Uzun süre kullanımı dışı kalmış kartuş aküleri kullanmadan önce şarj edin.

50°C üzerindeki sıcaklıklar kartuş akünün performansını düşürür. Akünün güneş ışığı veya mekân sıcaklığı altında uzun süre ısınmasına dikkat edin.

Şarj cihazı ve kartuş aküdeki bağlantı noktalarını temiz tutun.

Akünün ömrünün mükemmel bir şekilde uzun olması için kullandıktan sonra tamamen doldurulması gerekir.

Ömrünün mümkün olduğu kadar uzun olması için akülerin yüklem yapıldıktan sonra doldurma cihazından uzaklaştırılması gerekir.

Akünün 30 günden daha fazla depolanması halinde:

Aküyü takriben 27°C'de kuru olarak depolayın.

Aküyü yüklem durumunun takriben % 30 - %50 olarak depolayın.

Aküyü her 6 ay yeniden doldurun.

AKÜNÜN AŞIRI YÜKLENMEYE KARŞI KORUNMASI

Pek fazla elektrik tüketimi yapılmak suretiyle aküye fazla yüklenildiğinde, örneğin aşırı devir momentleri, matkap sıkışması, aniden durma veya kısa devre, elektrikli alet 2 saniye garip sesler çıkarır ve kendiliğinden durur.

Aleti yeniden çalıştırmak için şalter baskı kolunu serbest bırakın ve bundan sonra tekrar çalıştırın. Aşırı yüklenme durumunda ise akü pek fazla ısınır. Bu durumda akü kendiliğinden durur.

LİTYUM İYON PİLLERİN TAŞINMASI

Lityum iyon piller tehlikeli madde taşımacılığı hakkındaki yasal hükümler tabidir.

Bu piller, bölgesel, ulusal ve uluslararası yönetmeliklere ve hükümlere uyularak taşınmak zorundadır.

- Tüketiciler bu pilleri herhangi bir özel şart aranmaksızın karayoluyla taşıyabilirler.
- Lityum iyon pillerin nakliye şirketleri tarafından ticari taşımacılığı için tehlikeli madde taşımacılığının hükümleri geçerlidir. Sevki hazırlığı ve taşıma sadece ilgili eğitimi görmüş personel tarafından gerçekleştirilebilir. Bütün süreç uzmanca bir refakatçilik altında gerçekleştirilmek zorundadır.

Pillerin taşınması sırasında aşağıdaki hususlara dikkat edilmesi gerekmektedir:

- Kısa devre oluşmasını önlemek için kontakların korunmuş ve izole edilmiş olmasını sağlayınız.
- Pil paketinin ambalajı içinde kaymamasına dikkat ediniz.
- Hasarlı veya akmış pillerin taşınması yasaktır. Ayrıca bilgiler için nakliye şirketinize başvurunuz.

BAKIM

Bakımla ilgili açıklamaları ONE-KEY uygulaması içinde bulabilirsiniz.

Sadece Milwaukee aksesuarı ve yedek parçası kullanın. Nasil değiştirileceği açıklanmamış olan yapı parçalarını bir Milwaukee müşteri servisinde değiştirin (Garanti ve servis adresi broşürüne dikkat edin).

Gerektiğinde cihazın ayrıntılı çizimini, güç levhası üzerindeki makine modelini ve altı haneli rakamı belirterek müşteri servisinden veya doğrudan Techtronic Industries GmbH, Max-Eyth-Straße 10, 71364 Winnenden, Germany adresinden isteyebilirsiniz.

SEMBOLLER

	DIKKAT! UYARI! TEHLİKE!
	Aletin kendinde bir çalışma yapmadan önce kartuş aküyü çıkarın.
	Lütfen aleti çalıştırmadan önce kullanma kılavuzunu dikkatli biçimde okuyun.
	Koruyucu eldivenlerinizi takınız!
	Yassı pilleri yutmayınız!
	Atık pillerin, atık elektrikli ve elektronik eşyaların evsel atıklarla birlikte bertaraf edilmesi yasaktır. Atık piller, atık elektrikli ve elektronik eşyalar ayrılarak biriktirilmeli ve bertaraf edilmelidir. Bertaraf etmeden önce cihazların içindeki atık pilleri, atık akümülatörleri ve lambaları çıkartınız. Yerel makamlara veya satıcınıza geri dönüşüm tesisleri ve atık toplama merkezlerinin yerlerini danışınız. Yerel yönetmeliklere göre perakende satıcı atık pilleri, atık elektrikli ve elektronik eşyaları ücret talep etmeden geri almak zorunda olabilirsiniz. Atık pillerinizi, atık elektrikli ve elektronik eşyalarınızı tekrar kullanarak ve geri dönüşüme vererek ham madde gereksiniminin az tutulmasına katkıda bulununuz. Atık piller (özellikle lityum iyon piller), atık elektrikli ve elektronik eşyalar, çevreye uygun şekilde bertaraf edilmediklerinde çevre ve sağlığınız üzerinde olumsuz etkilere neden olabilmekte, tekrar kullanılabilir malzemeler içerirler. Bertaraf etmeden önce atık eşyanız içinde mevcut olabilen şahsınızla ilgili bilgileri siliniz.
n	Boşta ki devir sayısı
V	Voltaj
	Doğru akım
	Avrupa uyumluluk işareti
	Britanya uyumluluk işareti
	Ukrayna uyumluluk işareti
	Avrasya uyumluluk işareti

TECHNICKÁ DATA

	AKU RÁZOVÉ UTAHOVÁKY	M18 ONEFHWP12	M18 ONEFHWF12	M18 ONEFHWF34
Výrobní číslo	4671 85 04... ..000001-999999	4671 95 04... ..000001-999999	4672 05 04... ..000001-999999	
 Volnoběžné otáčky	0-950 min ⁻¹	0-550 min ⁻¹	0-800 min ⁻¹	
 Počet úderů	0-1150 min ⁻¹	0-950 min ⁻¹	0-850 min ⁻¹	
 Volnoběžné otáčky	0-1500 min ⁻¹	0-1400 min ⁻¹	0-1300 min ⁻¹	
 Počet úderů	0-2100 min ⁻¹	0-1750 min ⁻¹	0-1850 min ⁻¹	
 Volnoběžné otáčky	0-1800 min ⁻¹	0-1750 min ⁻¹	0-1800 min ⁻¹	
 Počet úderů	0-2400 min ⁻¹	0-2100 min ⁻¹	0-2400 min ⁻¹	
 Volnoběžné otáčky	0-1800 min ⁻¹	0-1750 min ⁻¹	0-1800 min ⁻¹	
 Počet úderů	0-2400 min ⁻¹	0-2100 min ⁻¹	0-2400 min ⁻¹	
Krouticí moment max.....	1017 Nm	1356 Nm	1627 Nm	
Maximální velikost šroubu / velikost matice.....	M 24	M33	M33	
Uchycení nástroje	1/2" (13 mm)	1/2" (13 mm)	3/4" (19 mm)	
Napětí výměnného akumulátoru	18 V	18 V	18 V	
Hmotnost podle prováděcího předpisu EPTA 01/2014 (4,0 Ah / 5,0 Ah).....	3,2 kg	3,3 kg	3,5 kg	
Hmotnost podle prováděcího předpisu EPTA 01/2014 (9,0 Ah).....	3,6 kg	3,7 kg	3,9 kg	
Frekvenční pásmo (frekvenční pásmo) Bluetooth.....	2402-2480 MHz	2402-2480 MHz	2402-2480 MHz	
Vysokofrekvenční	1,8 dBm	1,8 dBm	1,8 dBm	
Verze Bluetooth.....	4.0 BT signal mode	4.0 BT signal mode	4.0 BT signal mode	
Doporučená okolní teplota při práci.....	-18 ... +50 °C	-18 ... +50 °C	-18 ... +50 °C	
Doporučené typy akumulátorů.....	M18B2, M18B4, M18B5, M18B6, M18B9			
Doporučené nabíječky	M12-18C, M12-18AC, M12-18FC, M1418C6			

Informace o hluku / vibracích

Naměřené hodnoty odpovídají EN 62841.

V třídě A posuzovaná hladina hluku přístroje číni typicky:

Hladina akustického tlaku (Kolísavost K=3dB(A))..... 94,7 dB (A) 94,9 dB (A) 98,5 dB (A)

Hladina akustického výkonu (Kolísavost K=3dB(A))..... 105,7 dB (A) 105,9 dB (A) 109,5 dB (A)

Použitve chrániče sluchu !

Celkové hodnoty vibrací (vektorový součet tří směrů) zjištěné ve smyslu EN 62841.

Hodnota vibračních emisí a_h
Utažení šroubu a matic maximální velikosti 18,4 m/s²..... 16,7 m/s²..... 15,9 m/s²
Kolísavost K=..... 1,5 m/s²..... 1,5 m/s²..... 1,5 m/s²

AROVÁNÍ!

Hladina vibrací a emisí hluku uvedená v tomto informačním listu byla měřena v souladu se standardizovanou zkouškou uvedenou v normě EN 62841 a může být použita ke srovnání jednoho nástroje s jiným. Může být použita k předběžnému posouzení expozice.

Deklarovaná úroveň vibrací a emisí hluku představuje hlavní použití nástroje. Pokud se však nástroj používá pro různé aplikace, s různým příslušenstvím nebo s nedostatečnou údržbou, mohou se vibrace a emise hluku lišit. To může výrazně zvýšit úroveň expozice v průběhu celé pracovní doby.

Odhad úrovně expozice vibracím a hluku by měl také vzít v úvahu dobu, kdy je nástroj vypnutý nebo když běží, ale ve skutečnosti neprovádí úlohu. To může výrazně snížit úroveň expozice v průběhu celé pracovní doby.

Identifikujte dodatečná bezpečnostní opatření k ochraně pracovníka obsluhy před účinky vibrací a/nebo hluku, například: údržba nástroje a příslušenství, udržování rukou v teple, organizace pracovních schémata.

VAROVÁNÍ! Přečtete si všechna výstražná upozornění, pokyny, zobrazení a specifikace pro toto elektrické nářadí. Zanedbání při dodržování výstražných upozornění a pokynů uvedených v následujícím textu může mít za následek zásah elektrickým proudem, způsobit požár a/nebo těžké poranění.
Všechna varovná upozornění a pokyny do budoucna uschovejte.

BEZPEČNOSTNÍ POKYNY PRO PRÁCI SE ŠROUBOVÁKEM:

Používejte chrániče sluchu. Působením hluku může dojít k poškození sluchu.

Přístroj držte za izolované plochy, pokud provádíte práce, při kterých může šroub zasáhnout skrytá elektrická vedení. Kontakt šroubu s vedením pod napětím může přivést napětí na kovové části přístroje a způsobit elektrický ráz.

DALŠÍ BEZPEČNOSTNÍ A PRACOVNÍ POKYNY

Noste osobní ochranné prostředky. Vždy noste ochranné brýle. Nošení vhodných ochranných pomůcek, jako jsou ochranná protiprachová maska, protiskluzová obuv, ochranná přilba nebo ochrana sluchu, snižuje riziko zranění.

Prach vznikající při práci s tímto nářadím může být zdraví škodlivý. Proto by neměl přijít do styku s tělem. Používejte při práci vhodnou ochranou masku.

Nesmějí se opracovávat materiály, které mohou způsobit ohrožení zdraví (např. azbest)

Při zablokování nasazeného nástroje přístroj okamžitě vypněte! Přístroj nezapínejte, pokud je nasazený nástroj zablokovaný; mohl by při tom vzniknout zpětný náraz s vysokým reakčním momentem. Zjistíte příčinu zablokování nasazeného nástroje a odstraňte ji při dodržení bezpečnostních pokynů.

Možnými příčinami mohou být:

- vzpříčení v opracovávaném obrobku
- přelomení opracovávaného materiálu
- přetížení elektrického přístroje

Nezasahujte do běžícího stroje.

Nasazený nástroj má ostré hrany a během používání se může zahřát.

VAROVÁNÍ! Nebezpečí pořezání a popálení
– při manipulaci s nasazovanými nástroji
– při odkládání zařízení.

Při manipulaci s nasazovanými nástroji používejte ochranné rukavice.

Pokud stroj běží, nesmí být odstraňovány tlásky nebo odštěpky.

Při vrtní do zdi, stropu nebo podlahy dávat pozor na elektrické kabely, plynová a vodovodní potrubí.

Obrobek zabezpečte upínacím zařízením. Nezabezpečené obrobky mohou způsobit těžká poranění a poškození.

Před zahájením veškerých prací na vrtacím šroubováků vyjmout výměnný akumulátor.

Použité nevyhazujte do domovního odpadu nebo do ohně. Milwaukee nabízí ekologickou likvidaci starých článků, ptejte se u vašeho obchodníka s nářadím.

Náhradní akumulátor neskladujte s kovovými předměty, nebezpečí zkratu.

Akumulátor systému M18 nabíjejte pouze nabíječkou systému M18. Nenabíjejte akumulátory jiných systémů.

Náhradní akumulátory ani nabíječku neotvírejte, skladujte je v suchu, chráňte před vlhkem.

Při extrémní zátěži či vysoké teplotě může z akumulátoru vytékat kapalina. Při zasažení touto kapalinou okamžitě zasažená místa omyjte vodou a mýdlem. Při zasažení očí okamžitě důkladně po dobu alespoň 10min. omývat a neodkládně vyhledat lékaře.

▲ VÝSTRAHA!

Tento přístroj obsahuje lithiovou knoflíkovou baterii. Nová nebo použitá baterie může způsobit těžké vnitřní popáleniny a v době kratší než 2 hodiny věst ke smrti, pokud se spolkne nebo se dostane do těla. Víko na příhradce na baterie vždy zajistěte. Pokud není bezpečně uzavřené, přístroj vypněte, odstraňte baterii a chraňte ji před dětmi. Pokud se domníváte, že baterie někdo spolknul nebo se mu dostaly do těla, okamžitě vyhledejte lékařskou pomoc.

Varování! Abyste zabránili nebezpečí požáru způsobeného zkratem, poraněním nebo poškozením výrobku, neponožte nářadí, výměnnou baterii nebo nabíječku do kapalin a zajistěte, aby do zařízení a akumulátorů nevnikly žádné tekutiny. Korodující nebo vodivé kapaliny, jako je slaná voda, určité chemikálie a bělicí prostředky nebo výrobky, které obsahují bělidlo, mohou způsobit zkrat.

OBLAST VYUŽITÍ

Nárazový utahovák s akumulátorem je univerzálně použitelný k utahování a uvolňování šroubů a matic nezávisle na přípojkce k síti.

Toto zařízení lze používat jen pro uvedený účel.

ES PROHLÁŠENÍ O SHODĚ

My jako výrobce výhradně na vlastní zodpovědnost prohlašujeme, že se výrobek popsaný v "Technických údajích" shoduje se všemi relevantními předpisy směrnice 2011/65/EÚ (RoHS), 2014/53/EÚ, 2006/42/ES a následujícími harmonizovanými normativními dokumenty:

EN 62841-1:2015
EN 62841-2-2:2014
EN IEC 55014-1:2021
EN IEC 55014-2:2021
EN 62479:2010
EN 301 489-1 V2.2.3
EN 301 489-17 V3.1.1
EN 300 328V2.2.2
EN IEC 63000:2018

Winnenden, 2022-11-01

Alexander Krug
Managing Director



Zplnomocněn k sestavování technických podkladů.

Technic Industries GmbH
Max-Eyth-Straße 10
71364 Winnenden
Germany

OBSLUHA

Upozornění: Doporučujeme po utažení vždy zkontrolovat utahovací moment momentovým klíčem.

Utahovací moment je ovlivňován velkým množstvím různých faktorů včetně následujících.

- Stav nabití baterie – Když je baterie vybitá, napětí poklesne a utahovací moment bude snížen.
- Pracovní otáčky – Používání nástroje při nízkých otáčkách vede k menšímu utahovacímu momentu.
- Poloha utahování – Způsob držení nástroje nebo utahování spojovacího prostředku v různých úhlech bude mít negativní vliv na utahovací moment.
- Šroubovací příslušenství/adaptér – Používání šroubovacího příslušenství nebo adaptéru nesprávné velikosti, nebo používání příslušenství, které není určeno pro zatížení rázy, může způsobit snížení utahovacího momentu.
- Používání příslušenství a prodlužovacích nástavců – V závislosti na příslušenství nebo prodlužovacím nástavci se může snížit utahovací síla rázového utahovávku.
- Šroub/matice – Utahovací momenty se mohou lišit podle průměru, délky a třídy pevnosti matice/šroubu.
- Stav spojovacího prostředku – Utahovací moment může být ovlivněn znečištěnými, zkorodovanými, suchými nebo namazanými spojovacími prostředky.
- Spojované díly – Utahovací moment může být ovlivněn pevností spojovaných dílů a každé součásti vkládané mezi ně (suché nebo namazané, měkké nebo tvrdé, destičky, těsnění nebo podložky).

TECHNIKY RÁZOVÉHO ŠROUBOVÁNÍ

Čím déle jsou svorník, šroub nebo matice zatěžovány rázovým šroubovákem, tím více budou utaženy.

Aby se zabránilo poškození spojovacích prostředků nebo obrobků, zabraňte nadměrně dlouhému působení rázu.

Obzvláště opatrně postupujte při rázovém utahování menších spojovacích prostředků, protože u nich je k dosažení optimálního utahovacího momentu zapotřebí méně rázů.

Procvičte si utahování s různými spojovacími prostředky a poznamenejte si dobu potřebnou k dosažení požadovaného utahovacího momentu.

Zkontrolujte utahovací moment pomocí ručního momentového klíče.

Pokud je utahovací moment příliš vysoký, dobu rázového šroubování zkráťte.

Pokud není utahovací moment dostatečný, dobu rázového šroubování prodlužte.

Olej, špína, rez nebo jiné nečistoty na závitech nebo pod hlavou spojovacího prostředku ovlivňují velikost utahovacího momentu.

Krouticí moment potřebný k povolení spojovacího prostředku je průměrně 75% až 80% utahovacího momentu, v závislosti na stavu styčných ploch.

Při lehkých šroubovacích pracích používejte relativně malý utahovací moment a ke konečnému utažení použijte ruční momentový klíč.

VÝBĚR PROVOZNIHO REŽIMU

Před změnou provozního režimu počkejte, až se přístroj úplně zastaví. Abyste mohli změnit nastavení, stiskněte tlačítko . Stiskněte tlačítko WLAN , abyste mohli změnit přednastavené hodnoty přes aplikaci ONE-KEY na vašem chytrém telefonu.

ONE-KEY™

Abyste se dozvěděli více o funkci ONE-KEY tohoto přístroje, přečtěte si příložený návod na rychlý start nebo nás navštivte na internetu na www.milwaukee.com/one-key. Aplikaci ONE-KEY si na váš chytrý telefon můžete stáhnout přes App Store nebo Google Play.

Pokud bude zařízení rušené elektrostatickými náboji, LED-indikátor rychlosti se vypne a rychlost už nelze regulovat. V tomto případě vyjměte výměnný akumulátor a knoflíkový akumulátor a znovu jej vložte (viz stranu 6 a stranu 15).

Poruchy způsobené elektrostatickými výboji vedou také k přerušení komunikace Bluetooth. V tomto případě se musí spojení Bluetooth manuálně obnovit.

Indikátor ONE-KEY™

Modré světlo	Rádiové spojení je aktivní a může se nastavit přes aplikaci ONE-KEY™.
Modré blikání	Nástroj komunikuje s aplikací ONE-KEY™.
Červené blikání	Nástroj byl zablokovaný z bezpečnostních důvodů a obsluha jej může odblokovat přes aplikaci ONE-KEY™.

AKUMULÁTORY

Déle nepoužívané akumulátory je nutné před použitím znovu nabít.

Teplota přes 50°C snižuje výkon akumulátoru. Chraňte před dlouhým přehříváním na slunci či u topení.

Kontakty nabíječky a akumulátoru udržujte v čistotě.

Pro optimální životnost je nutné akumulátory po použití plně dobít.

K zabezpečení dlouhé životnosti by se akumulátory měly po nabití vyjmout z nabíječky.

Při skladování akumulátoru po dobu delší než 30 dní:

Skladujte akumulátor v suchu při cca 27°C.
Skladujte akumulátor při cca 30%-50% nabíjecí kapacity.
Opakujte nabíjení akumulátoru každých 6 měsíců.

OCHRANA PROTI PŘETÍŽENÍ AKUMULÁTORU

Při přetížení akumulátoru příliš vysokým odběrem proudu, například při extrémně vysokých točivých momentech, při blokování vrtáku, náhlém zastavení nebo zkratu, začne vrtáčka na 2 sekundy bruchet a poté se samočinně vypne. K opětovnému zapnutí uvolněte spínací tlačítko a poté jej opět zapněte. Při extrémním zatížení se akumulátor může silně zahřát. Dojde-li k tomu, akumulátor se vypne.

PŘEPRAVA LITHIUM-IONTOVÝCH BATERII

Lithium-iontové baterie spadají podle zákonných ustanovení pod přepravu nebezpečného nákladu.

Přeprava těchto baterií se musí realizovat s dodržováním lokálních, vnitrostátních a mezinárodních předpisů a ustanovení.

- Spotřebitelé mohou tyto baterie bez problémů přepravovat po komunikacích.

- Komerční přeprava lithiium-iontových baterií prostřednictvím přepravních firem podléhá ustanovením o přepravě nebezpečného nákladu. Přípravu k vyexpedování a samotnou přepravu smějí vykonávat jen příslušně vyškolené osoby. Na celý proces se musí odborně dohlížet.

Při přepravě baterií je třeba dodržovat následující:

- Zajistěte, aby kontakty byly chráněné a izolované, aby se zamezilo zkratům.

- Dávejte pozor na to, aby se svazek baterií v rámci balení nemohl sesmeknout.

- Poškozené a vyteklé baterie se nesmějí přepravovat. Ohledně dalších informací se obraťte na vaši přepravní firmu.

ÚDRŽBA

Pokyny k údržbě najdete v aplikaci ONE-KEY.

Používat výhradně příslušenství Milwaukee a náhradní díly Milwaukee. Díly jejichž výměny nebyla popsána, nechte vyměnit v autorizovaném servisu (viz "Záruky / Seznam servisních míst")

V případě potřeby si můžete v servisním centru pro zákazníky nebo přímo od firmy Technic Industries GmbH, Max-Eyth-Straße 10, 71364 Winnenden, Německo vyžádat schematický náčrt jednotlivých dílů přístroje, když uvedete typ přístroje a šestimístné číslo na výkonovém štítku.

SYMBOLY

	POZOR! VAROVÁNÍ NEBEZPEČÍ!
	Před zahájením veškerých prací na vrtacím šroubováků vyjmout výměnný akumulátor.
	Před spuštěním stroje si pečlivě přečtěte návod k používání.
	Používejte ochranné rukavice!
	Knoflíková baterie se nesmí spolknout!
	Odpadní baterie a odpadní elektrická a elektronická zařízení se nesmějí likvidovat společně s domovním odpadem. Odpadní baterie a odpadní elektrická a elektronická zařízení je nutné sbírat a likvidovat odděleně. Před likvidací odstraňte ze zařízení odpadní baterie, odpadní akumulátory a osvětlovací prostředky. Informujte se na místních úřadech nebo u vašeho odborného prodejce ohledně recyklačních dvorů a sběrných míst. Podle místních ustanovení mohou maloobchodní prodejci být povinni bezplatně odebrat zpět odpadní baterie a odpadní elektrická a elektronická zařízení. Opětovným použitím a recyklací vašich odpadních baterií a vašich odpadních elektrických a elektronických zařízení přispíváte ke snížení potřeby surovin. Odpadní baterie (především lithiium-iontové baterie), odpadní elektrická a elektronická zařízení obsahují cenné, opětovně použitelné materiály, které při ekologické likvidaci nemohou mít negativní účinky na životní prostředí a vaše zdraví. Před likvidací pokud možno vymažte na vašem odpadním přístroji existující osobní údaje.
	Volnoběžné otáčky
	Napětí
	Stejnoseměrný proud
	Značka shody v Evropě
	Značka shody v Británii
	Značka shody na Ukrajině
	Značka shody pro oblast Eurasie

TECHNICKÉ ÚDAJE	AKUMULÁTOROVÁ PRÍKLEPOVÁ ÚTAHOVAČKA	M18 ONEFH1WP12	M18 ONEFH1WF12	M18 ONEFH1WF34
Výrobné číslo	4671 85 04.....	4671 95 04.....	4672 05 04.....	4672 05 04.....
.....	...00001-999999	...00001-999999	...00001-999999	...00001-999999
 Otáčky naprázdno	0-950 min ⁻¹	0-550 min ⁻¹	0-800 min ⁻¹	0-800 min ⁻¹
 Počet úderov	0-1150 min ⁻¹	0-950 min ⁻¹	0-850 min ⁻¹	0-850 min ⁻¹
 Otáčky naprázdno	0-1500 min ⁻¹	0-1400 min ⁻¹	0-1300 min ⁻¹	0-1300 min ⁻¹
 Počet úderov	0-2100 min ⁻¹	0-1750 min ⁻¹	0-1850 min ⁻¹	0-1850 min ⁻¹
 Otáčky naprázdno	0-1800 min ⁻¹	0-1750 min ⁻¹	0-1800 min ⁻¹	0-1800 min ⁻¹
 Počet úderov	0-2400 min ⁻¹	0-2100 min ⁻¹	0-2400 min ⁻¹	0-2400 min ⁻¹
 Otáčky naprázdno	0-1800 min ⁻¹	0-1750 min ⁻¹	0-1800 min ⁻¹	0-1800 min ⁻¹
 Počet úderov	0-2400 min ⁻¹	0-2100 min ⁻¹	0-2400 min ⁻¹	0-2400 min ⁻¹
Točivý moment max	1017 Nm.....	1356 Nm.....	1627 Nm.....	1627 Nm.....
Maximálna veľkosť skrutky / veľkosť matice	M 24.....	M33.....	M33.....	M33.....
Uprnutie nástroja	1/2" (13 mm).....	1/2" (13 mm).....	3/4" (19 mm).....	3/4" (19 mm).....
Napätie výmenného akumulátora	18 V.....	18 V.....	18 V.....	18 V.....
Hmotnosť podľa vykonávacieho predpisu EPTA 01/2014 (4,0 Ah / 5,0 Ah).....	3,2 kg.....	3,3 kg.....	3,5 kg.....	3,5 kg.....
Hmotnosť podľa vykonávacieho predpisu EPTA 01/2014 (9,0 Ah).....	3,6 kg.....	3,7 kg.....	3,9 kg.....	3,9 kg.....
Frekvenčné pásmo (frekvenčné pásma) Bluetooth.....	2402-2480 MHz.....	2402-2480 MHz.....	2402-2480 MHz.....	2402-2480 MHz.....
Vysokofrekvenčný	1,8 dBm.....	1,8 dBm.....	1,8 dBm.....	1,8 dBm.....
Verzia Bluetooth.....	4.0 BT signal mode.....	4.0 BT signal mode.....	4.0 BT signal mode.....	4.0 BT signal mode.....
Odporúčaná okolitá teplota pri práci.....	-18 +50 °C.....	-18 +50 °C.....	-18 +50 °C.....	-18 +50 °C.....
Odporúčané typy akupaku.....	M18B2, M18B4, M18B5, M18B6, M18B9.....	M18B2, M18B4, M18B5, M18B6, M18B9.....	M18B2, M18B4, M18B5, M18B6, M18B9.....	M18B2, M18B4, M18B5, M18B6, M18B9.....
Odporúčané nabíjačky	M12-18C, M12-18AC, M12-18FC, M1418C6.....	M12-18C, M12-18AC, M12-18FC, M1418C6.....	M12-18C, M12-18AC, M12-18FC, M1418C6.....	M12-18C, M12-18AC, M12-18FC, M1418C6.....

Informácia o hluku / vibráciách

Namerané hodnoty určené v súlade s EN 62841.

V triede A posudzovaná hladina hluku prístroja číni typicky:

Hladina akustického tlaku (Kolisavosť K=3dB(A))..... 94,7 dB (A) 94,9 dB (A) 98,5 dB (A)

Hladina akustického výkonu (Kolisavosť K=3dB(A))..... 105,7 dB (A) 105,9 dB (A) 109,5 dB (A)

Používajte ochranu sluchu!

Celkové hodnoty vibrácií (vektorový súčet troch smerov) zistené v zmysle EN 62841.

Hodnota vibračných emisií a,

Uťahnutie skrutiek a matic maximálnej veľkosti 18,4 m/s² 16,7 m/s² 15,9 m/s²

Kolisavosť K= 1,5 m/s² 1,5 m/s² 1,5 m/s²

POZOR!

Úroveň vibrácií a emisií hluku uvedená v tomto informačnom liste bola meraná v súlade so štandardizovanou skúškou uvedenou v EN 62841 a môže sa použiť na porovnanie jedného nástroja s druhým. Môže sa použiť v predbežnom posúdení expozície.

Deklarovaná úroveň vibrácií a emisií hluku predstavuje hlavné aplikácie nástroja. Ak sa však nástroj používa pre rôzne aplikácie, s rôznym príslušenstvom alebo s nedostatočnou údržbou, môžu sa vibrácie a emisie hluku líšiť. To môže výrazne zvýšiť úroveň expozície počas celej pracovnej doby.

Odhad úrovne expozície vibráciám a hluku by mal tiež brať do úvahy čas, keď je nástroj vypnutý alebo keď beží, ale v skutočnosti nevykonáva prácu. To môže výrazne znížiť úroveň expozície počas celej pracovnej doby.

Identifikujte dodatočné bezpečnostné opatrenia na ochranu pracovníka obsluhy pred účinkami vibrácií a/alebo hluku, ako je: údržba nástroja a príslušenstva, udržanie teplých rúk, organizácia pracovných schém.

VAROVANIE! Prečítajte si všetky výstražné upozornenia, pokyny, znázornenia a špecifikácie pre toto elektrické náradie. Zanedbanie pri dodržiavaní výstražných upozornení a pokynov uvedených v nasledujúcom texte môže mať za následok zásah elektrickým prúdom, spôsobiť požiar a/alebo ťažké poranenie.
Tieto výstražné upozornenia a bezpečnostné pokyny starostlivo uschovajte na budúce použitie.

BEZPEČNOSTNÉ POKYNY PRE PRÁCU SO SKRUTKOVAČOM:

Používajte ochranu sluchu. Pôsobenie hluku môže spôsobiť stratu sluchu.

Kadar izvajate dela pri katerih lahko sveder zadane v prikrité električne vode, držite napravo za izolirane prijemalne površine. Stik svedra z elektrickým vodníkom lahko kovinske deli naprave spravi pod napetost in vodi do elektrického udara.

ĎALŠIE BEZPEČNOSTNÉ A PRACOVNÉ POKYNY

Noste osobné ochranné prostriedky. Vždy noste ochranné okuliare. Nosenie vhodných ochranných pomôcok, akými sú ochranná protiprachová maska, protišmyková obuv, ochranná prilba alebo ochrana sluchu, znižuje riziko zranenia.

Prach vznikajúci pri práci môže byť škodlivý zdraviu. Pri práci nosiť vhodnú ochrannú masku, aby sa nedostal do ľudského organizmu.

Nesmú sa opravovať materiály, ktoré môžu spôsobiť ohrozenie zdravia (napr. azbest)

Pri zablokovaní nasadeného nástroja prístroj okamžite vypnite! Prístroj nezapínajte, pokiaľ je nasadený nástroj zablokovaný; mohol by pri tom vzniknúť spätný náraz s vysokým reakčným momentom. Príčinu zablokovania nasadeného nástroja zistíte a odstránite so zohľadnením bezpečnostných pokynov.

Možnými príčinami môžu byť:

- spriečenie v opracovávanom obrobku
- prelomenie opracovávaného materiálu
- preťaženie elektrického prístroja

Nezasahujte do bežiacieho stroja.

Nasadený nástroj má ostré hrany a počas používania sa môže zahriať.

VÝSTRAHA! Nebezpečenstvo porezania a popálenia
– pri manipulácii s nasadzovanými nástrojmi
– pri odkladaní zariadenia.

Pri manipulácii s nasadzovanými nástrojmi používajte ochranné rukavice.

Triesky alebo úlomky sa nesmú odstraňovať za chodu stroja.

Pri práci v stene, strope alebo v podlahe dávajte pozor na elektrické káble, plynové a vodovodné potrubia.

Obrobok zabezpečte upínacím zariadením. Nezabezpečené obrobky môžu spôsobiť ťažké poranenia a poškodenia.

Pred každou prácou na stroji výmenný akumulátor vytriahnuť.

Opatrované výmenné akumulátory nezahadzujte do ohňa alebo medzi domový odpad. Milwaukee ponúka likvidáciu starých výmenných akumulátorov, ktorá je v súlade s ochranou životného prostredia; informujte sa u Vášho predajcu.

Výmenné akumulátory neskladovať spolu s kovovými predmetmi (nebezpečenstvo skratu).

Výmenné akumulátory systému M18 nabíjať len nabíjacími zariadeniami systému M18. Akumulátory iných systémov týmto zariadením nenabíjať.

Výmenné akumulátory a nabíjacie zariadenia neotvárať a skladovať len v suchých priestoroch. Chrániť pred vlhkosťou.

Pri extrémnych zatažiacich alebo extrémnych teplotách môže dôjsť k vytekaniu batérovej tekutiny z poškodeného výmenného akumulátora. Ak dôjde ku kontaktu pokožky s roztokom, postihnuté miesto umyť vodou a mydlom. Ak sa roztok dostane do očí, okamžite ich dôkladne vypláchnuť po dobu min. 10 min a bezodkladne vyhľadať lekára.

VÝSTRAHA! Tento prístroj obsahuje lítiovú gombíkovú batériu. Nová alebo použitá batéria môže spôsobiť ťažké vnútorné popáleniny a v čase kratšom ako 2 hodiny viesť k smrti, ak bude prehlnutá alebo ak by sa dostala do tela. Veľko na priehradke na batérie vždy zaistíte. Ak nie je bezpečne uzavreté, prístroj vypnite, odstráňte batériu a chráňte ju pred deťmi.

Keď sa domnievate, že batérie boli prehlnuté alebo sa dostali do tela, okamžite vyhľadajte lekársku pomoc.

Varovanie! Aby ste zabránili nebezpečenstvu požiaru spôsobeného skratom, poraneniam alebo poškodeniam výrobku, neponárajte náradie, výmennú batériu alebo nabíjačku do kvapalín a postarajte sa o to, aby do zariadení a akumulátorov nevnikli žiadne tekutiny. Korodujúce alebo vodivé kvapaliny, ako je slaná voda, určité chemikálie a bieliace prostriedky alebo výrobky, ktoré obsahujú bieliadlo, môžu spôsobiť skrat.

POUŽITIE PODĽA PREDPISOV

AKU-príklepový skrutkovač je univerzálne použiteľný na upevňovanie a uvoľňovanie skrutiek a matic nezávisle na sieťovej prípojke.

Tento prístroj sa smie používať len v súlade s uvedenými predpismi.

ES VYHLÁSENIE O ZHODE

My ako výrobca výhradne na vlastnú zodpovednosť vyhlasujeme, že výrobok popísaný v "Technických údajoch" sa zhoduje so všetkými relevantnými predpismi smernice 2011/65/EU (RoHS), 2014/53/EU, 2006/42/ES a nasledujúcimi harmonizujúcimi normatívnymi dokumentmi:

EN 62841-1:2015
EN 62841-2-2:2014
EN IEC 55014-1:2021
EN IEC 55014-2:2021
EN 62479:2010
EN 301 489-1 V2.2.3
EN 301 489-1 V3.1.1
EN 300 328V2.2.2
EN IEC 63000:2018

Winnenden, 2022-11-01



Alexander Krug
Managing Director



Splnomocnený zostaviť technické podklady.

Techtronic Industries GmbH
Max-Eyth-Straße 10
71364 Winnenden
Germany

OBSLUHA

Upozornenie: Po upevnení sa odporúča vždy skontrolovať uťahovací moment pomocou momentového kľúča.

Uťahovací moment je ovplyvnený množstvom faktorov, vrátane nasledovných.

- Stav nabitia batérie – Keď je batéria vybitá, napätie poklesne a uťahovací moment sa zmenší.
- Otáčky – Použitie nástroja pri nízkej rýchlosti vedie k malému uťahovaciemu momentu.
- Poloha upevnenia – Spôsob, akým držíte nástroj alebo upevňovací prvok, ovplyvňuje uťahovací moment.
- Otočný/násuvný nadstavec – používanie otočného alebo násuvného nadstavca s nesprávnou veľkosťou alebo používanie príslušenstva, ktoré nie je odolné proti rázom, znižuje uťahovací moment.
- Používanie príslušenstva a predĺžení – Podľa príslušenstva alebo predĺženia môže znížiť uťahovací moment rázového skrutkovača.
- Skrutka/Matica – Uťahovací moment sa môže meniť podľa priemeru, dĺžky a triedy pevnosti skrutky/matice.
- Stav upevňovacích prvkov – Znečistené, skorodované, suché alebo namazané upevňovacie prvky môžu ovplyvniť uťahovací moment.
- Skrutkované diely – Pevnosť skrutkovaných dielov a každý konštrukčný diel medzitým (suchý alebo namazaný, mäkký alebo tvrdý, platnička, tesnenie alebo podložka) môže ovplyvniť uťahovací moment.

SKRUTKOVACIE TECHNIKY

Čím sú čap, skrutka alebo matica zaťažené dlhšie rázovým skrutkovačom, tým sa pevnejšie utiahnu.

Aby sa zabránilo poškodeniam upevňovacích prostriedkov, zabráňte nadmernej dobe rázu.

Buďte zvlášť opatrní, keď pôsobíte na menšie upevňovacie prostriedky, pretože potrebujete menej rázov, aby ste dosiahli optimálny uťahovací moment.

Cvičte s rozličnými upevňovacími prostriedkami a poznamenajte si čas, ktorý potrebujete, aby ste dosiahli želaný uťahovací moment.

Uťahovací moment skontrolujte pomocou ručného momentového kľúča.

Keď je uťahovací moment príliš vysoký, znížte čas rázu.

Keď je uťahovací moment nedostatočný, zvýšte čas rázu.

Olej, špina, hrdza alebo iné nečistoty na závitoch alebo na hlave upevňovacieho prvku ovplyvňujú výšku uťahovacieho momentu

Uťahovací moment potrebný na uvoľnenie upevňovacieho prostriedku číni priemerne 75 % až 80 % uťahovacieho momentu, v závislosti od stavu kontaktných plôch.

Ľahké skrutkovacie práce vykonávajte s relatívne malým uťahovacím momentom a na konečné uťahovanie používajte ručný momentový kľúč.

VÝBER DRUHU PREVÁDZKY

Pred zmenou druhu prevádzky počkajte, kým sa prístroj úplne zastaví. Aby ste mohli zmeniť nastavenia, stlačte tlačidlo . Stlačte tlačidlo WLAN , aby ste mohli zmeniť prednastavené hodnoty cez aplikáciu ONE-KEY na vašom smartfóne.

ONE-KEY™

Aby ste sa dozvedeli viac o ONE-KEY funkcii tohto prístroja, prečítajte si priložený návod na rýchly štart alebo nás navštívte na internete na www.milwaukeeetool.com/one-key. Aplikáciu ONE-KEY si na váš smartfón môžete stiahnuť cez App Store alebo Google Play.

Ak bude zariadenie rušené elektrostatickými nábojmi, LED-indikátor rýchlosti sa vypne a rýchlosť sa viac nedá regulovať. V tomto prípade vyberte výmenný akumulátor a gombíkový akumulátor a znova ho vložte (pozri stranu 6 a stranu 15).

Poruchy spôsobené elektrostatickými výbojmi vedú tiež k prerušeniu komunikácie Bluetooth. V tomto prípade sa musí spojenie Bluetooth manuálne obnoviť.

Indikátor ONE-KEY™

Modré svetlo	Rádiové spojenie je aktívne a môže sa nastaviť cez aplikáciu ONE-KEY™.
Modré blikanie	Nástroj komunikuje s aplikáciou ONE-KEY™.
Červené blikanie	Nástroj bol zablokovaný z bezpečnostných dôvodov a obsluha ho môže odblokovať cez aplikáciu ONE-KEY™.

AKUMULÁTORY

Dlhší čas nepoužívané výmenné akumulátory pred použitím dobiť.

Teplota vyššia ako 50°C znižuje výkon výmenného akumulátora. Zabráňte dlhšiemu ohriatiu slnkom alebo kúrením.

Pripájacie kontakty na nabíjacom zariadení a výmennom akumulátore udržiavať čisté.

Pre optimálnu životnosť je nutné akumulátory po použití plne dobiť.

K zabezpečeniu dlhej životnosti by sa akumulátory mali po nabití vybrať z nabíjaky.

Pri skladovaní akumulátora po dobu dlhšiu než 30 dní:

Skladujte akumulátor v suchu pri cca 27°C.

Skladujte akumulátor pri cca 30%-50% nabíjacej kapacite.

Opakujte nabíjanie akumulátora každých 6 mesiacov.

OCHRANA PROTI PREŤAŽENIU AKUMULÁTORA

Pri preťažení akumulátora príliš vysokým odberom prúdu, napríklad pri extrémne vysokých točivých momentoch, pri blokovaní vrtáka, náhom zastavení alebo skrate, začne vrtáčka na 2 sekundy hučať a potom sa samočinne vypne.

K opätovnému zapnutiu uvoľnite spínacie tlačidlo a potom ho opäť zapnite.

Pri extrémnom zaťažení sa akumulátor môže silne zahriať. Ak k tomu dôjde, akumulátor sa vypne.

PREPRAVA LÍTOVO-IÓNOVÝCH BATÉRIÍ

Lítovo-iónové batérie podľa zákonných ustanovení spadajú pod prepravu nebezpečného nákladu.

Preprava týchto batérií sa musí realizovať s dodržiavaním lokálnych, vnútroštátnych a medzinárodných predpisov a ustanovení.

- Spotrebiteľia môžu tieto batérie bez problémov prepravovať po cestách.

- Komerčná preprava lítovo-iónových batérií prostredníctvom špedičných firiem podlieha ustanoveniam o preprave nebezpečného nákladu. Prípravu k vyexpedovaniu a samotnú prepravu smú vykonávať iba adekvátne vyškolené osoby. Na celý proces sa musí odborné dohliadať.

Pri preprave batérií treba dodržiavať nasledovné:

- Zabezpečte, aby boli kontakty chránené a izolované, aby sa zamedzilo skratom.

- Dávajte pozor na to, aby sa zväzok batérií v rámci balenia nemohol zošmyknúť.

- Poškodené a vytečené batérie sa nesmú prepravovať.

Kvôli ďalším informáciám sa obráťte na vašu špedičnú firmu.

ÚDRŽBA

Pokyny k údržbe nájdete v aplikácii ONE-KEY.

Používať len Milwaukee príslušenstvo a Milwaukee náhradné diely. Súčiastky bez návodu na výmenu treba dat vymeniť v jednom z Milwaukee zákaznických centier (viď brožúru Záruka/Adresy zákaznických centier).

V prípade potreby si môžete v servisnom centre pre zákazníkov alebo priamo od firmy Techtronic Industries GmbH, Max-Eyth-Straße 10, 71364 Winnenden, Nemecko, vyžiadať schematický náčrt jednotlivých dielov prístroja pri uvedení typu prístroja a šesťmiestneho čísla na výkonovom štítku.

SYMBOLY

	POZOR! NEBEZPEČENSTVO!
	Pred každou prácou na stroji výmenný akumulátor vytiahnuť.
	Pred prvým použitím prístroja si pozorne prečítajte návod na obsluhu.
	Používajte ochranné rukavice!
	Gombiková batéria sa nesmie prehlnúť!
	Použitie batérie a odpad z elektrických a elektronických zariadení sa nesmie likvidovať spolu s domovým odpadom. Použitie batérie a odpad z elektrických a elektronických zariadení treba zbierať a likvidovať oddelene. Pred likvidáciou odstráňte zo zariadení použité batérie, použité akumulátory a osvetľovacie prostriedky. Informujte sa pri miestnych úradoch alebo u vášho odborného predajcu ohľadom recyklačných dvorov a zberných miest. Podľa miestnych ustanovení môžu maloobchodní predajcovia byť povinní bezplatne zobrať späť použité batérie a odpad z elektrických a elektronických zariadení. Opätovným použitím a recykláciou vašich použitých batérií a vášho odpadu z elektrických a elektronických zariadení prispievate k zníženiu potreby surovín. Použitie batérie (predovšetkým lítium-iónové batérie), odpad z elektrických a elektronických zariadení obsahuje cenné, opätovne použiteľné materiály, ktoré pri ekologickej likvidácii nemôžu mať negatívne účinky na životné prostredie a vaše zdravie. Pred likvidáciou podľa možnosti vymažte na vašom použitom prístroji existujúce osobné údaje.
	Otáčky naprázdno
	Napätie
	Jednosmerný prúd
	Značka zhody v Európe
	Značka shody v Británii
	Značka zhody na Ukrajinu
	Značka zhody pre oblasť Eurázie

DANE TECHNICZNE

KLUCZ UDAROWY AKUMULATOROWY	M18 ONEFHWP12	M18 ONEFHWF12	M18 ONEFHWF34
Numer produkcyjny	4671 85 04... ..000001-999999	4672 95 04... ..000001-999999	4672 05 04... ..000001-999999
Predkosť bez obciążenia	0-950 min ⁻¹	0-550 min ⁻¹	0-800 min ⁻¹
Ilość uderzeń	0-1150 min ⁻¹	0-950 min ⁻¹	0-850 min ⁻¹
Predkosť bez obciążenia	0-1500 min ⁻¹	0-1400 min ⁻¹	0-1300 min ⁻¹
Ilość uderzeń	0-2100 min ⁻¹	0-1750 min ⁻¹	0-1850 min ⁻¹
Predkosť bez obciążenia	0-1800 min ⁻¹	0-1750 min ⁻¹	0-1800 min ⁻¹
Ilość uderzeń	0-2400 min ⁻¹	0-2100 min ⁻¹	0-2400 min ⁻¹
Predkosť bez obciążenia	0-1800 min ⁻¹	0-1750 min ⁻¹	0-1800 min ⁻¹
Ilość uderzeń	0-2400 min ⁻¹	0-2100 min ⁻¹	0-2400 min ⁻¹
Moment obrotowy max	1017 Nm	1356 Nm	1627 Nm
Maksymalna wielkość śruby / nakrętki	M24	M33	M33
Gniazdo końcówki	1/2" (13 mm)	1/2" (13 mm)	3/4" (19 mm)
Napięcie baterii akumulatorowej	18 V	18 V	18 V
CieŜar wg procedury EPTA 01/2014 (4,0 Ah / 5,0 Ah)	3,2 kg	3,3 kg	3,5 kg
CieŜar wg procedury EPTA 01/2014 (9,0 Ah)	3,6 kg	3,7 kg	3,9 kg
Pasma (pasma) częstotliwości Bluetooth	2402-2480 MHz	2402-2480 MHz	2402-2480 MHz
Moc wysokiej częstotliwości	1,8 dBm	1,8 dBm	1,8 dBm
Wersja Bluetooth	4.0 BT signal mode	4.0 BT signal mode	4.0 BT signal mode
Zalecana temperatura otoczenia w trakcie pracy	-18 ... +50 °C	-18 ... +50 °C	-18 ... +50 °C
Zalecane rodzaje akumulatora	M18B2, M18B4, M18B5, M18B6, M18B9		
Zalecane ładowarki	M12-18C, M12-18AC, M12-18FC, M1418C6		

Informacja dotycząca szumów/wibracji

Zmierzone wartości wyznaczone zgodnie z normą EN 62841.

Poziom szumów urządzenia oszacowany jako A wynosi typowo:

Poziom ciśnienia akustycznego (Niepewność K=3dB(A))

Poziom mocy akustycznej (Niepewność K=3dB(A))

Należy używać ochroniaczy uszu!

Wartości łączne drgań (suma wektorowa trzech kierunków) wyznaczone zgodnie z normą EN 62841.

Wartość emisji drgań a:

Przykręcanie śrub i nakrętek maksymalnej wielkości

Niepewność K=

OSTRZEŻENIE!

Poziom drgań i emisji hałasu podany w niniejszej instrukcji zmierzono zgodnie ze standardową metodą badania wg EN 62841 i można ją wykorzystać do porównania narzędzia z innym narzędziem. Można go wykorzystać przy wstępnej ocenie narażenia.

Deklarowany poziom emisji drgań i hałasu reprezentuje główne zastosowania narzędzia. Jeśli jednak narzędzie jest używane do różnych zastosowań, z różnymi akcesoriami lub w przypadku nieprawidłowej konserwacji, emisja drgań i hałasu może się różnić. Może to znacznie zwiększyć poziom narażenia w całym okresie eksploatacji narzędzia.

Oszacowanie poziomu narażenia na wibracje i hałas powinno również uwzględniać czasy, kiedy narzędzie jest wyłączone lub kiedy jest włączone, ale nie pracuje. Może to znacznie obniżyć poziom ekspozycji w całym okresie eksploatacji narzędzia.

Należy zidentyfikować dodatkowe środki bezpieczeństwa w celu ochrony operatora przed skutkami wibracji i/lub hałasu, takie jak: utrzymywanie narzędzia i akcesoriów w nienagannym stanie, utrzymywanie ciepła rąk, organizacja pracy.

OSTRZEŻENIE! Należy przeczytać wszystkie wskazówki bezpieczeństwa, instrukcje, opisy i specyfikacje dotyczące tego elektronarzędzia. Zaniedbania w przestrzeganiu poniższych wskazówek mogą spowodować porażenie prądem, pożar i/lub ciężkie obrażenia ciała. Należy starannie przechowywać wszystkie przepisy i wskazówki bezpieczeństwa dla dalszego zastosowania.

WSKAZÓWKI BEZPIECZEŃSTWA DLA KLUCZ UDAROWY

Stosować środki ochrony słuchu! Narażenie na hałas może spowodować utratę słuchu.

Trzymaj urządzenie za izolowane powierzchnie chwytowe, gdy wykonujesz roboty, w trakcie których śruba może natrafić na ukryte przewody prądowe. Kontakt śruby z przewodem pod napięciem może spowodować podłączenie części metalowych urządzenia do napięcia i prowadzić do porażenia prądem elektrycznym.

DODATKOWE WSKAZÓWKI BEZPIECZEŃSTWA I INSTRUKCJE ROBOCZE

Proszę nosić odzież ochronną. Należy stale mieć na sobie okulary ochronne. Noszenie odpowiednich środków ochrony indywidualnej, np. maski przeciwpyłowej, obuwia antypoślizgowego, kasku lub ochrony słuchu, zmniejsza ryzyko obrażeń.

Kurz powstający przy pracy z tym elektronarzędziem może być szkodliwy dla zdrowia, w związku z tym nie powinien dotrzeć do ciała. Nosić odpowiednią maskę przeciwpyłową.

Nie wolno obrabiać materiałów, które mogą być przyczyną zagrożenia zdrowia (na przykład azbestu).

W przypadku zablokowania narzędzia nasazanego należy natychmiast wyłączyć urządzenie! Nie należy ponownie włączać urządzenia tak długo, jak długo narzędzie nasadzone jest zablokowane; przy tym mogłyby powstać odrzut zwrotny o dużym momencie reakcyjnym. Należy wykryć i usunąć przyczynę zablokowania narzędzia nasazanego uwzględniając wskazówki dotyczące bezpieczeństwa.

Możliwymi przyczynami tego mogą być:

- Skośne ustawienie się w poddawany obróbce przedmiocie obrabianym
- Przerwanie materiału poddawanego obróbce
- Przeciążenie narzędzia elektrycznego

Nie należy sięgać do wnętrza maszyny będącej w ruchu.

Narzędzie robocze ma ostre krawędzie i może się nagrzewać podczas pracy.

OSTRZEŻENIE! Niebezpieczeństwo skaleczeń i oparzeń

– w trakcie obsługi narzędzi roboczych

– podczas odkładania urządzenia.

Podczas pracy z wykorzystaniem narzędzi roboczych należy nosić rękawice ochronne.

Podczas pracy elektronarzędzia nie wolno usuwać trocin ani drzazg.

Podczas pracy przy ścianach, sufitach i podłodze należy uważać na kable elektryczne, przewody gazowe i wodociągowe.

Należy zabezpieczyć przedmiot poddawany obróbce za pomocą urządzenia mocującego. Niezabezpieczone przedmioty poddawane obróbce mogą spowodować ciężkie obrażenia ciała i uszkodzenia.

Przed przystąpieniem do jakichkolwiek prac na elektronarzędziu należy wyjąć wkładkę akumulatorową.

Zużytych akumulatorów nie wolno wrzucać do ognia ani traktować jako odpadów domowych. Milwaukee oferuje ekologiczną utylizację zużytych akumulatorów.

Nie przechowywać akumulatorów wraz z przedmiotami metalowymi (niebezpieczeństwo zwarcia).

Akumulatory Systemu M18 należy ładować wyłącznie przy pomocy ładowarek Systemu M18. Nie ładować przy pomocy tych ładowarek akumulatorów innych systemów.

Nie otwierać wkładek akumulatorowych i ładowarek. Przechowywać w suchych pomieszczeniach. Chronić przed wilgocią.

W skrajnych warunkach temperatury lub przy bardzo dużym obciążeniu może dochodzić do wycieku kwasu akumulatorowego z uszkodzonych baterii akumulatorowych. W przypadku kontaktu z kwasem akumulatorowym należy natychmiast przemyć miejsce kontaktu wodą z mydłem. W przypadku kontaktu z oczami należy dokładnie przepłukać oczy przynajmniej przez 10 minut i zwrócić się natychmiast o pomoc medyczną.

⚠ OSTRZEŻENIE! Niniejsze urządzenie nie zawiera baterii litowo-guzikowej. W przypadku poknięcia lub dostania się do ciała nowej lub używanej baterii może dojść do poważnych oparzeń wewnętrznych oraz do śmierci w czasie poniżej 2 godzin. Zawsze należy zabezpieczać pokrywę baterii. Jeśli nie jest bezpiecznie zamknięta, należy wyłączyć urządzenie, wyjąć baterię i trzymać ją z dala od dzieci. Jeśli podejrzewają Państwo poknięcie baterii lub przedostanie się jej do ciała, należy natychmiast skontaktować się z lekarzem w celu uzyskania pomocy.

Ostrzeżenie! Aby uniknąć niebezpieczeństwa pożaru, obrażeń lub uszkodzeń produktu na skutek zwarcia, nie wolno zanurzać narzędzia, akumulatora wymiennego ani ładowarki w cieczach i należy zatroszczyć się o to, aby do urządzeń i akumulatorów nie dostały się żadne ciecze. Zwarcie spowodować mogą korodujące lub przewodzące ciecze, takie jak woda morska, określone chemikalia i wybielacze lub produkty zawierające wybielacze.

WARUNKI UŻYTKOWANIA

Uniwersalna w użyciu akumulatorowa wkrętarka udarowa, do mocowania i odkręcania śrub i nakrętek, niezależna od przyłącza sieciowego.

Produkt można użytkować wyłącznie zgodnie z jego normalnym przeznaczeniem.

DEKLARACJA ZGODNOŚCI WE

Jako producent oświadczamy na naszą wyłączną odpowiedzialność, że produkt opisany w punkcie „Dane techniczne” jest zgodny ze wszystkimi istotnymi przepisami Dyrektywy 2011/65/EU (RoHS), 2014/53/EU, 2006/42/WE oraz z następującymi zharmonizowanymi dokumentami normatywnymi:

EN 62841-1:2015
EN 62841-2-2:2014
EN IEC 55014-1:2021
EN IEC 55014-2:2021
EN 62479:2010
EN 301 489-1 V2.3
EN 301 489-17 V3.1.1
EN 300 328V2.2.2
EN IEC 63000:2018

Winnenden, 2022-11-01

Alexander Krug
Managing Director



Upelnomocniony do zestawienia danych technicznych

Techtronic Industries GmbH
Max-Eyth-Straße 10
71364 Winnenden
Germany

OBSŁUGA

Wskazówka: Za każdym razem po ustawieniu momentu dokręcenia zaleca się sprawdzić konfigurację za pomocą klucza dynamometrycznego.

Na wartość momentu dokręcenia ma wpływ wiele czynników, między innymi poniższe.

- Poziom naładowania akumulatora – jeśli akumulator jest rozładowany, spada napięcie i moment dokręcenia zostaje zredukowany.
- Liczba obrotów – stosowanie narzędzia na niskich obrotach prowadzi do redukcji momentu dokręcenia.
- Pozycja montażowa – na moment dokręcenia wpływa rodzaj i sposób zamocowania narzędzia lub elementu mocującego.
- Wkładka/zatyczka rotacyjna – stosowanie wkładki/zatyczki rotacyjnej w niewłaściwym rozmiarze lub stosowanie akcesoriów nieodpornych na uderzenia również redukuje moment dokręcenia.
- Stosowanie akcesoriów i przedłużek – w zależności od akcesorium lub przedłużki może dojść do obniżenia momentu dokręcenia wkrętarki udarowej.
- Śruba/nakrętka – moment dokręcenia może różnić się w zależności od średnicy, długości i klasy wytrzymałości śruby/nakrętki.
- Stan elementów mocujących – zanieczyszczone, skorodowane, suche lub nasmarowane elementy mocujące mogą mieć wpływ na moment dokręcenia.
- Części mocowane na śruby – na moment dokręcenia ma również wpływ wytrzymałość części mocowanych na śruby oraz każdego elementu znajdującego się między nimi (suche lub nasmarowane, miękkie lub twarde, zamontowana uszczelka lub podkładka).

TECHNIKI WKRĘCANIA

Im dłużej wkrętarka udarowa oddziałuje na bolec, śrubę lub nakrętkę, tym mocniejsze jest dokręcenie.

Aby zapobiegać uszkodzeniom środków mocujących i mocowanych elementów, należy unikać nadmiernego czasu trwania wkręcania.

Szczególną ostrożność należy zachować w trakcie oddziaływania na mniejsze środki mocujące, ponieważ wymagają one mniej uderzeń do osiągnięcia optymalnego momentu dokręcenia.

Należy próbować przy pomocy różnych elementów mocujących i odnotowywać czas potrzebny do osiągnięcia pożądanego momentu dokręcenia.

Sprawdzać moment dokręcenia ręcznym kluczem dynamometrycznym.

W przypadku zbyt wysokiego momentu dokręcenia należy zredukować czas przykręcania.

W przypadku niewystarczającego momentu dokręcenia należy zwiększyć czas przykręcania.

Na moment dokręcenia ma wpływ również olej, brud, rdza czy inne zabrudzenia przy gwincie lub pod głową elementu mocującego.

Moment obrotowy niezbędny do poluzowania elementu mocującego wynosi średnio 75-80% momentu dokręcenia, w zależności od stanu powierzchni styku.

Lekkie przykręcenia należy realizować z relatywnie niskim momentem dokręcenia i stosować klucz dynamometryczny w celu ostatecznego przymocowania.

WYBÓR TRYBU PRACY

Przed zmianą trybu pracy należy odczekać do momentu całkowitego zatrzymania się urządzenia. Aby móc dokonać zmiany ustawień, należy nacisnąć przycisk . Nacisnąć przycisk WLAN , aby dokonać zmiany uprzednio nastawionych wartości za pomocą aplikacji ONE-KEY na swym smartfonie.

ONE-KEY™

Aby uzyskać więcej informacji o funkcjonalności ONE-KEY tego narzędzia, należy przeczytać załączoną instrukcję szybkiego uruchomienia lub wejść na stronę internetową www.milwaukeetool.com/one-key. Aplikację ONE-KEY można pobrać na swój smartfon za pośrednictwem App Store lub Google Play.

Jeśli urządzenie zostanie uszkodzone na skutek rozładowań elektrostatycznych, wygaśnie dioda LED wskazująca prędkość, natomiast regulacja prędkości nie będzie już możliwa. W takim wypadku należy wyjąć akumulator wymienny oraz ognić guzikowe i włożyć ponownie (patrz strona 8 i strona 15).

Usterki spowodowane na skutek rozładowań elektrostatycznych prowadzą również do przerwania komunikacji za pośrednictwem Bluetooth. W takim wypadku należy ponownie nawiązać manualnie połączenie Bluetooth.

Wyświetlacz ONE-KEY™

Świeci się na niebiesko	Zdalne sterowanie jest aktywne i może zostać włączone za pomocą aplikacji ONE-KEY™.
Miga na niebiesko	Narzędzie komunikuje się z aplikacją ONE-KEY™.
Miga na czerwono	Narzędzie zostało zablokowane ze względów bezpieczeństwa i może zostać odblokowane przez operatora za pomocą aplikacji ONE-KEY™.

BATERIE AKUMULATOROWE

Akumulatory, które nie były przez dłuższy czas użytkowane, należy przed użyciem naładować.

W temperaturze powyżej 50°C następuje spadek osiągnięć wkładki akumulatorowej. Unikać długotrwałego wystawienia na oddziaływanie ciepła lub promieni słonecznych (niebezpieczeństwo przegrzania).

Styki ładowarek i wkładki akumulatorowych należy utrzymywać w czystości

Dla zapewnienia optymalnej żywotności akumulatory po użyciu należy naładować do pełnej pojemności.

Dla zapewnienia możliwie długiej żywotności akumulatory należy wyjąć z ładowarki po ich naładowaniu.

W przypadku składowania akumulatorów dłużej aniżeli 30 dni: Przechowywać je w suchym miejscu w temperaturze ok. 27°C. Przechowywać je w stanie naładowanym do ok. 30% - 50%. Ładować je ponownie co 6 miesięcy.

ZABEZPIECZENIE PRZECIĄŻENIOWE AKUMULATORA

Przy przeciążeniu akumulatora bardzo dużym prądem na przykład wskutek ekstremalnie dużych momentów obrotowych, zakleszczenia wiertła, nagłego zatrzymania się lub zwarcia narzędzie elektryczne 'buczy' przez 2 sekundy i samoczynnie wyłącza się.

W celu ponownego włączenie należy zwolnić, a następnie ponownie włączyć przycisk wyłącznika.

Pod ekstremalnymi obciążeniami może dojść do silnego nagrzania się akumulatora. W takim wypadku akumulator wyłącza się.

TRANSPORT AKUMULATORÓW LITOWO-JONOWYCH

Akumulatory litowo-jonowe podlegają ustawowym przepisom dotyczącym transportu towarów niebezpiecznych.

Transport tych akumulatorów winien odbywać się przy przestrzeganiu lokalnych, krajowych i międzynarodowych rozporządzeń i przepisów.

- Odbiorcom nie wolno transportować tych akumulatorów po drogach od tak po prostu.

- Komercyjny transport akumulatorów litowo-jonowych przez przedsiębiorstwa spedycyjne podlega przepisom dotyczącym transportu towarów niebezpiecznych. Przygotowania do wysyłki oraz transport mogą być wykonywane wyłącznie przez odpowiednio przeszkolone osoby. Cały proces winien odbywać się pod fachowym nadzorem.

W czasie transportu akumulatorów należy przestrzegać następujących punktów:

- Celem uniknięcia zwarcia należy upewnić się, że zestyki są zabezpieczone i izolowane.
 - Zwracać uwagę na to, aby zespół akumulatorów nie mógł się przemieszczać we wnętrzu opakowania.
 - Nie wolno transportować akumulatorów uszkodzonych lub z wyciekającym z elektrolitem.
- Odnosnie dalszych wskazań należy zwrócić się do swojego przedsiębiorstwa spedycyjnego.

UTRZYMANIE I KONSERWACJA

Wskazówki dotyczące konserwacji znajdują się w aplikacji ONE-KEY.

Używać tylko i wyłącznie wyposażenia dodatkowego Milwaukee i części zamiennych Milwaukee. Gdyby trzeba było wymienić części, które nie zostały opisane, należy skontaktować się z przedstawicielem serwisu Milwaukee (patrz wykaz adresów punktów usługowych/gwarancyjnych).

W razie potrzeby można zamówić rysunek urządzenia w rozłożeniu na części podając typ maszyny oraz sześciocyfrowy numer na tabliczce znamionowej w

Punkcie Obsługi Klienta lub bezpośrednio w firmie Techtronic Industries GmbH, Max-Eyth-Straße 10, 71364 Winnenden, Germany.

SYMBOLY

	UWAGA! OSTRZEŻENIE NIEBEZPIECZEŃSTWO!
	Przed przystąpieniem do jakichkolwiek prac na elektronarzędziu należy wyjąć wkładkę akumulatorową.
	Przed uruchomieniem elektronarzędzia zapoznać się uważnie z treścią instrukcji.
	Nosić rękawice ochronne!
	Nie należy połykać baterii guzikowych!
	Zużyte baterie oraz zużyty sprzęt elektryczny i elektroniczny nie może być usuwany razem z odpadami pochodzącymi z gospodarstw domowych. Zużyte baterie oraz zużyty sprzęt elektryczny i elektroniczny należy gromadzić i usuwać oddzielnie. Przed utylizacją należy usunąć z urządzeń zużyte baterie, zużyte akumulatory oraz źródła światła. Proszę zasięgnąć informacji o centrach recyklingowych i punktach zbiorczych u władz lokalnych lub u wyspecjalizowanego dostawcy. W zależności od lokalnych przepisów, sprzedawcy detaliczni mogą być zobowiązani do bezpłatnego odbioru zużytego sprzętu elektrycznego i elektronicznego. Poprzez ponowne wykorzystanie i recykling zużytych baterii oraz zużytego sprzętu elektrycznego i elektronicznego pomagamy zmniejszać zapotrzebowanie na surowce. Zużyte baterie (zwłaszcza baterie litowo-jonowe) oraz zużyty sprzęt elektryczny i elektroniczny zawierają cenne materiały nadające się do recyklingu, które mogą mieć negatywny wpływ na środowisko naturalne i zdrowie użytkownika, jeśli nie zostaną utylizowane w sposób przyjazny dla środowiska. Przed utylizacją zużytego sprzętu należy usunąć wszelkie zamieszczone na nim dane osobowe.
	Prędkość bez obciążenia
	Napięcie
	Prąd stały
	Europejski Certyfikat Zgodności
	Brytyjski Certyfikat Zgodności
	Ukraiński Certyfikat Zgodności
	Euroazjatycki Certyfikat Zgodności

MŰSZAKI ADATOK	AKKUMULÁTOROS CSAVARBEHAJTÓ	M18 ONEFHWP12	M18 ONEFHWF12	M18 ONEFHWF34
----------------	-----------------------------	---------------	---------------	---------------

Gyártási szám.....	4671 85 04.....	4671 95 04.....	4672 05 04.....	000001-999999
 Üresjárati fordulatszám.....	0-950 min ⁻¹	0-550 min ⁻¹	0-800 min ⁻¹	0-800 min ⁻¹
 Üresjárati fordulatszám.....	0-1500 min ⁻¹	0-1400 min ⁻¹	0-1300 min ⁻¹	0-1300 min ⁻¹
 Üresjárati fordulatszám.....	0-1800 min ⁻¹	0-1750 min ⁻¹	0-1800 min ⁻¹	0-1800 min ⁻¹
 Üresjárati fordulatszám.....	0-1800 min ⁻¹	0-1750 min ⁻¹	0-1800 min ⁻¹	0-1800 min ⁻¹
Forgatónyomaték max.....	1017 Nm.....	1356 Nm.....	1627 Nm.....	
Maximális csavarméret / anyaméret.....	M 24.....	M33.....	M33.....	
Bitbefogás.....	1/2" (13 mm).....	1/2" (13 mm).....	3/4" (19 mm).....	
Akkumulátor feszültség.....	18 V.....	18 V.....	18 V.....	
Súly a 01/2014 EPTA-eljárás szerint (4,0 Ah / 5,0 Ah).....	3,2 kg.....	3,3 kg.....	3,5 kg.....	
Súly a 01/2014 EPTA-eljárás szerint (9,0 Ah).....	3,6 kg.....	3,7 kg.....	3,9 kg.....	
Bluetooth-frekvenciasáv (frekvenciasávok).....	2402-2480 MHz.....	2402-2480 MHz.....	2402-2480 MHz.....	
Nagyfrekvenciájú.....	1,8 dBm.....	1,8 dBm.....	1,8 dBm.....	
Bluetooth-verzió.....	4.0 BT signal mode.....	4.0 BT signal mode.....	4.0 BT signal mode.....	
Ajánlott környezeti hőmérséklet munkavégzésnél.....	-18 +50 °C.....	-18 +50 °C.....	-18 +50 °C.....	
Ajánlott akkutípusok.....	M18B2, M18B4, M18B5, M18B6, M18B9.....			
Ajánlott töltőkészülékek.....	M12-18C, M12-18AC, M12-18FC, M1418C6.....			

Zaj-/Vibráció-információ
A közölt értékek megfelelnek az EN 62841 szabványnak.
A készülék munkahelyi zajszintje tipikusan:
Hangnyomás szint (K bizonytalanság=3dB(A))..... 94,7 dB (A) 94,9 dB (A) 98,5 dB (A)
Hangteljesítmény szint (K bizonytalanság=3dB(A))..... 105,7 dB (A) 105,9 dB (A) 109,5 dB (A)

Hallásvédő eszköz használata ajánlott!
Összesített rezgésértékek (három irány vektorális összege) az EN 62841.-nek megfelelően meghatározva.
ah rezgésemisszió érték
Maximális méretű csavarok és anyák meghúzása..... 18,4 m/s²..... 16,7 m/s²..... 15,9 m/s²
K bizonytalanság..... 1,5 m/s²..... 1,5 m/s²..... 1,5 m/s²

FIGYELMEZTÉS!

Az adatlapon feltüntetett rezgés- és zajkibocsátási szint mérésére az EN 62841 szabványos vizsgálati módszere alapján került sor, és a kapott értékek az egyes szerszámok összehasonlítására használhatók. Az értékek az expozíció előzetes értékelésében használhatók.

A feltüntetett rezgés- és zajkibocsátási szint a szerszám főbb alkalmazásait tükrözi. Mindazonáltal, ha a szerszámot különböző alkalmazásokra, eltérő tartozékokkal használják, illetve a szerszám nincs megfelelően karbantartva, a rezgés- és zajkibocsátási szint eltérő lehet. Ez jelentősen növelheti az expozíciós szintet a teljes munkafolyamat során.

A rezgésnek és zajnak való expozíció becsült szintjét is figyelembe kell venni a szerszám kikapcsolásakor, illetve olyankor, ha a szerszám üzemel, de valójában nem történik vele munkavégzés. Ez jelentősen csökkentheti az expozíciós szintet a teljes munkafolyamat során.

Határozzon meg további biztonsági intézkedéseket, hogy védje a kezelőt a rezgés- és/vagy zajhatásoktól. Ilyen intézkedések pl.: a szerszámok és tartozékok karbantartása, a kéz melegen tartása, munkarend-szervezés.

FIGYELMEZTETÉS! Olvassa el az elektromos kéziszerszámra vonatkozó összes biztonsági útmutatást, utasítást, ábrát és specifikációt.

A következőkben leírt utasítások betartásának elmulasztása áramütésekhez, tűzhoz és/vagy súlyos testi sérülésekhez vezethet.

Kérjük a későbbi használatra gondosan őrizze meg ezeket az előírásokat.

BIZTONSÁGI ÚTMUTATÁSOK CSAVAROZÓGÉPEKHEZ

Viseljen hallásvédőt. A zajhatás a hallás elvesztését eredményezheti.

Olyan munkák végzésekor, melyeknél a csavar rejtett áramvezetéseket érhet, a szigetelt markolati felületeknél tartsa a készüléket. A csavar feszültségvezető vezetékkel érintkezve fém alkatrészeket helyezhet feszültség alá, és elektromos áramütést idézhet elő.

TOVÁBBI BIZTONSÁGI ÉS MUNKAVÉGZÉSI UTASÍTÁSOK

Viseljen egyéni védőfelszerelést. Mindig viseljen védőszemüveget. A mindenkor megfelelő védőfelszerelés, pl. porvédő maszk, csúszásmentes lábbeli, védősisak vagy hallásvédő viselése csökkenti a sérülésveszélyt.

A munka során keletkező por gyakran egészségre káros, ezért ne kerüljön a szervezetbe

Hordjon e célra alkalmas porvédőmaszkot.

Nem szabad olyan anyagokat megmunkálni, amelyek egészségre veszélyesek (pl. azbesztet).

A betétszerszám elakadásakor azonnal ki kell kapcsolni a készüléket! Addig ne kapcsolja vissza a készüléket, amíg a betétszerszám elakadása fennáll; ennek során nagy ellennyomatékú visszarugás történhet. Határozza és szüntesse meg a betétszerszám elakadásának okát a biztonsági útmutatások betartása mellett.

Ennek következők lehetnek az okai:

- a szerszám elakad a megmunkálendő munkadarabban
- a megmunkálendő anyag átszakadt
- az elektromos szerszám túlterhelése

Ne nyúljon a járó géphe.

A betétszerszám éles szélű, és az alkalmazás során felforrósodhat.

FIGYELMEZTETÉS! Vágási és égési sérülések veszélye

- a betétszerszámok kezelései
- a készülék lerakásakor.

A betétszerszámok kezelésekor védőkesztyűt kell használni.

A munka közben keletkezett forgácsokat, szilánkokat, törmelékét, stb. csak a készülék teljes leállása után szabad a munkaterületről eltávolítani.

Falban, földemben, aljzatban történő fúrásnál fokozottan ügyelni kell az elektromos-, víz- és gázvezetésekre.

Biztosítsa a munkadarabot befogó szerkezettel. A nem biztosított munkadarabok súlyos sérüléseket és károkat okozhatnak.

Karbantartás, javítás, tisztítás, stb. előtt az akkumulátort ki kell venni a készülékből.

A használt akkumulátort ne dobja tűzbe vagy a háztartási szemétebe. Tájékoztódjon a szakszerű megsemmisítés helyi lehetőségeiről.

Az akkumulátort ne tárolja együtt fém tárgyakkal. (Rövidzárlat veszélye).

Az M18 elnevezésű rendszerhez tartozó akkumulátorokat kizárólag a rendszerhez tartozó töltővel tölts fel. Ne használjon más rendszerbe tartozó töltőt.

Az akkumulátort, töltőt nem szabad megbontani és kizárólag száraz helyen szabad tárolni. Nedvességtől óvni kell.

Akkumulátor sav folyhat a sérült akkumulátorból extrém terhelés alatt, vagy extrém hő miatt. Ha az akkumulátor sav a bőrre kerül azonnal mossa meg szappanos vízzel. Szembe kerülés esetén folyóvíz alatt tartsa a szemét minimum 10 percig és azonnal forduljon orvoshoz.

FIGYELMEZTETÉSI! Ez az eszköz egy Lithium-gombelemet tartalmaz.

Egy új, vagy használt elem súlyos belső égéseket okozhat, és kevesebb, mint 2 óra alatt halhoz vezethet, ha lenyelik, vagy másként a testbe jut. Az elemtartó tetéjét mindig biztosítsa.

Ha nem zár biztonságosan, kapcsolja ki a készüléket, távolítsa el az elemet, és tartsa távol gyerekektől.

Ha úgy gondolja, hogy az elemet lenyelték, vagy másként a testbe jutott, azonnal forduljon orvoshoz.

Figyelmeztetés! A rövidzárlat általi tűz, sérülések vagy termékkárosodások veszélye elkerülésére ne merítse a szerszámot, a cserélhető akkut vagy a töltőkészüléket folyadékokba, és gondoskodjon arról, hogy ne hatoljanak folyadékok a készülékekbe és az akkukba. A korrozív hatású vagy vezetőképes folyadékok, mint pl. a sós víz, bizonyos vegyi anyagok, fehérítők vagy fehérítő tartalmú termékek, rövidzárlatot okozhatnak.

RENDELTESSZERŰ HASZNÁLAT

Az akkumulátorral működő ütműves csavarbehajtó gép hálózati csatlakozás nélküli univerzális alkalmazható csavarok és csavaranyák meghúzásához és oldásához.

A készüléket kizárólag az alábbiakban leírtaknak megfelelően szabad használni.

EK-MEGFELELŐSÉGI NYILATKOZAT

Gyártóként egyedüli felelősséggel kijelentjük, hogy a „Műszaki Adatok” alatt leírt termék a 2011/65/EK (RoHS), 2014/53/EU, 2006/42/EK irányelvek minden releváns előírásának, ill. az alábbi harmonizált normatív dokumentumoknak megfelel:

- EN 62841-1:2015
- EN 62841-2-2:2014
- EN IEC 55014-1:2021
- EN IEC 55014-2:2021
- EN 62479:2010
- EN 301 489-1 V2.2.3
- EN 301 489-17 V3.1.1
- EN 300 328V2.2.2
- EN IEC 63000:2018

Winnenden, 2022-11-01

Alexander Krug
Managing Director

Műszaki dokumentáció összeállításra felhatalmazva

Techtronic Industries GmbH
Max-Eyth-Straße 10

71364 Winnenden
Germany

KEZELÉS

Megjegyzés: Ajánlott a rögzítést követően a meghúzási nyomatékok mindig nyomatékkulccsal ellenőrizni.

A meghúzási nyomatékok számos tényező befolyásolja, beleértve az alábbiakat.

- Az akkumulátor töltöttségi állapota – Ha az akkumulátor lemerült, leesik a feszültség és a meghúzási nyomatékok csökken.
- Fordulatszámok – A szerszám alacsony sebesség mellett történő használata kisebb meghúzási nyomatékok eredményez.
- Rögzítési pozíció – Az a mód, ahogyan a szerszámot vagy a rögzítőelemet tartja, befolyásolja a meghúzási nyomatékok.
- Forgó/dugós betét – Helytelen méretű forgó/dugós betét használata, vagy nem utasító tartozék használata csökkenti a meghúzási nyomatékok.
- Tartozékok és hosszabbítók használata – Tartozéktól vagy hosszabbítótól függően az ütvecsavarozó meghúzási nyomatéka csökkenhet.
- Csavar/anya – A meghúzási nyomaték átmérőtől, hosszúságtól és a csavar/anya szilárdsági osztályától függően változhat.
- A rögzítőelemek állapota – Szennyezett, korrodált, száraz, vagy lektet rögzítőelemek befolyásolhatja a meghúzási nyomatékok.
- A csavarral rögzítendő elemek – A csavarral rögzítendő elemek szilárdsága és minden közöttük lévő elem (száraz vagy lektet, puha vagy kemény, lemez, tömítés vagy alátét) befolyásolhatja a meghúzási nyomatékok.

BECSAVARÁSI TECHNIKÁK

Minél hosszabb ideig terhelünk egy csapszeget, csavart vagy anyát az ütvecsavarozóval, annál jobban meghúzzuk azt.

A rögzítőanyagok vagy munkadarabok sérüléseinek elkerülése érdekében kerülje a túlzott ütési időt.

Legyen különösen óvatos, ha kisebb rögzítőelemekkel dolgozik, mivel azoknak kevesebb ütés is elegendő az optimális meghúzási nyomaték eléréséhez.

Gyakoroljon különböző rögzítőelemekkel és jegyezze meg azt az időt, amely a kívánt meghúzási nyomaték eléréséhez szükséges.

Ellenőrizze a meghúzási nyomatékokat kézi nyomatékkulccsal.

Ha túl nagy a meghúzási nyomaték, csökkentse az ütési időt.

Ha nem elegendő a meghúzási nyomaték, növelje az ütési időt.

A rögzítőelem menetén vagy a fellett lévő olaj, kosz, rozsdá, vagy más szennyeződések befolyásolják a meghúzási nyomaték mértékét.

A rögzítőelem oldásához szükséges nyomaték átlagosan a meghúzási nyomaték 75-80%-a, az érintkezőfelületek állapotától függően.

A könnyű becsavarást viszonylag csekély meghúzási nyomatékkal végezze el, és a végleges meghúzásához használjon kézi nyomatékkulcsot.

ÜZEMMÓD VÁLASZTÁSA

Az üzemmód megváltoztatása előtt várjon, míg a készülék teljesen leáll. A beállítások módosításához nyomja meg a  gombot. Nyomja meg a  WLAN gombot, hogy az előre beállított értékeket a ONE-KEW alkalmazáson keresztül okostelefonján módosítsa.

ONE-KEY™

Ha többet kíván tudni a szerszám ONE-KEY funkcionalitásáról, olvassa el a mellékelt gyorsindítási útmutatót, vagy keressen fel bennünket az interneten a www.milwaukeeool.com/one-key címen. A ONE-KEY alkalmazás letölthető okostelefonjára az App Store-ból vagy a Google Play áruházból.

Ha a készüléket elektrosztatikus kislések zavarják, a LED-es sebességjelző kikapcsol és a sebesség nem szabályozható a továbbiakban. Ebben az esetben távolítsa el a cserélhető akkumulátort és a gombelmelet, majd helyezze vissza őket (lásd 6. és 15. oldal).

Az elektrosztatikus kislések által okozott zavarok a Bluetooth-kommunikáció megszakadását is eredményezik. Ebben az esetben manuálisan kell a Bluetooth-kapcsolatot ismét helyreállítani.

ONE-KEY™ kijelző	
Kéken világít	A vezeték nélküli kapcsolat aktív és az ONE-KEY™ alkalmazással beállítható.
Kéken villog	A szerszám kommunikál az ONE-KEY™ alkalmazással.
Pirosan villog	A szerszám biztonsági okokból le lett tiltva, és a kezelő az ONE-KEY™ alkalmazással oldhatja fel a tiltást.

AKKUK

A hosszabb ideig üzemben kívül lévő akkumulátort használat előtt ismételen fel kell tölteni.

50°C feletti hőmérsékletnél csökkenhet az akkumulátor teljesítménye. Kerülni kell a túlzottan meleg helyen vagy napon történő hosszabb idejű tárolást.

A töltő és az akkumulátor csatlakozóit mindig tisztán kell tartani.

Az optimális élettartam érdekében használat után az akkukat teljesen fel kell tölteni.

A lehetőleg hosszú élettartamhoz az akkukat feltöltés után ki kell venni a töltőkészületről.

Az akku 30 napot meghaladó tárolása esetén: Az akkut kb. 27 °C-on, száraz helyen kell tárolni. Az akkut kb. 30-50%-os töltöttségi állapotban kell tárolni. Az akkut 6 havonta újra fel kell tölteni.

AZ AKKUMULÁTOR TÚLTERHELÉS ELLENI VÉDELME

Az akku túl magas áramfogyasztás miatti, pl. túl nagy forgatónyomatékok, a fűró megszorulása, hirtelen leállás következtében fellépő túlterhelése esetén az elektromos szerszám 2 másodpercig zűg, és önműködően lekapcsol.

Az újbóli bekapcsoláshoz el kell engedni a kapcsolóbillentyűt, majd ismét be kell kapcsolni.

Extrém mértékű terhelés esetén az akku erősen felforrósodhat. Ebben az esetben az akku lekapcsol.

LÍTIUM-ION AKKUK SZÁLLÍTÁSA

A lítium-ion akkuk a veszélyes áruk szállítására vonatkozó törvényi rendelkezések hatálya alá tartoznak.

Az ilyen akkuk szállításának a helyi, országos és nemzetközi előírások és rendelkezések betartása mellett kell történnie.

• A fogyasztók minden további nélkül szállíthatják az ilyen akkukat közúton.

• A lítium-ion akkuk szállítványozási vállalatok általi kereskedelmi célú szállítására a veszélyes áruk szállítására vonatkozó rendelkezések érvényesek. A kiszállítás előkészítését és a szállítást kizárólag megfelelő képzettségű személyek végezhetik. A teljes folyamatnak szakmai felügyelet alatt kell történnie.

A következő pontokat kell figyelembe venni akkuk szállításakor:

• Biztosítsa, hogy a rövidzárlatok elkerülése érdekében az érintkezők védve és szigetelve legyenek.

• Ügyeljen arra, hogy az akkucsomag ne tudjon elcsúszni a csomagoláson belül.

• Tilos sérült vagy kifolyt akkukat szállítani.

További útmutatásokért forduljon szállítványozási vállalatához.

KARBANTARTÁS

A karbantartásra vonatkozó útmutatások a ONE-KEY alkalmazásban találhatóak.

Csak Milwaukee tartozékokat és Milwaukee pótalkatrészeket szabad használni. Az olyan elemeket, melyek cseréje nincs ismertetve, cseréltesse ki Milwaukee szervizzel (lásd Garancia/Ügyfélszolgálat címei kiadványt).

Igény esetén a készülékről robbantott rajz kérhető a géptípus és a teljesítménycímeként található hatjegyű szám megadásával az Ön weboldalatánál, vagy közvetlenül a Techtronik Industries GmbH-től a Max-Eyth-Straße 10, 71364 Winnenden, Németország címen.

SZÍMBÓLUMOK

	FIGYELEM! FIGYELMEZTETÉSI! VESZÉLY!
	Karbantartás, javítás, tisztítás, stb. előtt az akkumulátort ki kell venni a készülékből.
	Kérjük alaposan olvassa el a tájékoztatót mielőtt a gépet használja.
	Kérjük alaposan olvassa el a tájékoztatót mielőtt a gépet használja.
	A gombelemet ne nyelje le!
	A hulladékelemeket, az elektromos és elektronikus berendezések hulladékait nem szabad a háztartási hulladékkal együtt ártalmatlanítani. A hulladékelemeket, az elektromos és elektronikus berendezések hulladékait elkülönítve kell gyűjteni és ártalmatlanítani. Az ártalmatlanítás előtt távolítsa el a hulladékelemeket, a hulladékkumulátorokat és az izzókat a berendezésekből. A helyi hatóságoknál vagy szakkereskedőjénél tájékozódjon a hulladékudvarokról és gyűjtőhelyekről. A helyi rendelkezésektől függően a kiskereskedők kötelesek lehetnek a hulladékelemeket, az elektromos és elektronikus berendezések hulladékait ingyenesen visszavenni. A hulladékelemek, az elektromos és elektronikus berendezések hulladékainak újrahasználatával és újrahasznosításával járuljon hozzá a nyersanyagszükséglet csökkentéséhez. A hulladékelemek (mindenekelőtt a lítium-ion elemek), az elektromos és elektronikus berendezések hulladékai értékes újrahasznosítható anyagokat tartalmaznak, melyek környezetvédelmi szempontból nem megfelelő ártalmatlanítás esetén negatív hatással lehetnek a környezetre és az Ön egészségére. Ártalmatlanítás előtt törölje a használt készüléken lévő lehetséges személyes adatokat.
	Üresjáratú fordulatszám
	Feszültség
	Egyenáram
	Európai megfelelőségi jelölés
	Egyesült királyságbeli megfelelőségi jelölés
	Ukrán megfelelőségi jelölés
	Eurázsiai megfelelőségi jelölés

TEHNIČNI PODATKI	BATERIJSKI UDARNI VIJAČNIKI	M18 ONEFHWP12	M18 ONEFHWF12	M18 ONEFHWF34
Proizvodna številka	4671 85 04... ..4671 95 04... ..4672 05 04... ..000001-999999 ..000001-999999 ..000001-999999			
Številno vrtljajev v prostem teku	0-950 min ⁻¹	0-550 min ⁻¹	0-800 min ⁻¹	0-850 min ⁻¹
Številno udarcev/	0-1150 min ⁻¹	0-950 min ⁻¹	0-850 min ⁻¹	0-850 min ⁻¹
Številno vrtljajev v prostem teku	0-1500 min ⁻¹	0-1400 min ⁻¹	0-1300 min ⁻¹	0-1300 min ⁻¹
Številno udarcev/	0-2100 min ⁻¹	0-1750 min ⁻¹	0-1850 min ⁻¹	0-1850 min ⁻¹
Številno vrtljajev v prostem teku	0-1800 min ⁻¹	0-1750 min ⁻¹	0-1800 min ⁻¹	0-1800 min ⁻¹
Številno udarcev/	0-2400 min ⁻¹	0-2100 min ⁻¹	0-2400 min ⁻¹	0-2400 min ⁻¹
Številno vrtljajev v prostem teku	0-1800 min ⁻¹	0-1750 min ⁻¹	0-1800 min ⁻¹	0-1800 min ⁻¹
Številno udarcev/	0-2400 min ⁻¹	0-2100 min ⁻¹	0-2400 min ⁻¹	0-2400 min ⁻¹
Vrtljni moment max	1017 Nm	1356 Nm	1627 Nm	1627 Nm
Maksimalna velikost vijaka / matice	M 24	M33	M33	M33
Sprejem orodja	1/2" (13 mm)	1/2" (13 mm)	3/4" (19 mm)	3/4" (19 mm)
Napetost izmenjivega akumulatorja	18 V	18 V	18 V	18 V
Teža po EPTA-proceduri 01/2014 (4,0 Ah / 5,0 Ah)	3,2 kg	3,3 kg	3,5 kg	3,5 kg
Teža po EPTA-proceduri 01/2014 (9,0 Ah)	3,6 kg	3,7 kg	3,9 kg	3,9 kg
Bluetooth-Frekvenčni pas (Frekvenčni pasovi)	2402-2480 MHz	2402-2480 MHz	2402-2480 MHz	2402-2480 MHz
Visokofrekvenčna	1,8 dBm	1,8 dBm	1,8 dBm	1,8 dBm
Bluetooth-verzija	4.0 BT signal mode	4.0 BT signal mode	4.0 BT signal mode	4.0 BT signal mode
Priporočena temperatura okolice pri delu	-18 ... +50 °C	-18 ... +50 °C	-18 ... +50 °C	-18 ... +50 °C
Priporočene vrste akumulatorskih baterij	M18B2, M18B4, M18B5, M18B6, M18B9	M18B2, M18B4, M18B5, M18B6, M18B9	M18B2, M18B4, M18B5, M18B6, M18B9	M18B2, M18B4, M18B5, M18B6, M18B9
Priporočeni polnilniki	M12-18C, M12-18AC, M12-18FC, M1418C6	M12-18C, M12-18AC, M12-18FC, M1418C6	M12-18C, M12-18AC, M12-18FC, M1418C6	M12-18C, M12-18AC, M12-18FC, M1418C6

Informacije o hrupnosti/vibracijah

Vrednosti merjenja ugotovljene ustrezno z EN 62841.

Raven hrupnosti naprave ovrednotena z A, znaša tipično:

Nivo zvočnega tlaka (Nevarnost K=3dB(A))	94,7 dB (A)	94,9 dB (A)	98,5 dB (A)
Višina zvočnega tlaka (Nevarnost K=3dB(A))	105,7 dB (A)	105,9 dB (A)	109,5 dB (A)

Nosite zaščitno za sluh!

Skupna vibracijska vrednost (Vektorska vsota treh smeri) določena ustrezno EN 62841.

Vibracijska vrednost emisij a,

Prikljanje vijakov in matic maksimalne velikosti	18,4 m/s ²	16,7 m/s ²	15,9 m/s ²
Nevarnost K=	1,5 m/s ²	1,5 m/s ²	1,5 m/s ²

OPOZORILO!

Raven vibracij in hrupa, navedena v tem informativnem listu, je bila izmerjena v skladu s standardiziranim preskusom iz EN 62841 in jo je mogoče uporabljati za primerjavo orodij med seboj. Mogoče jo je tudi uporabiti za predhodno oceno izpostavljenosti.

Navedena raven vibracij in hrupa predstavlja glavno uporabo orodja. Če pa se orodje uporablja za različne namene, z različnimi dodatki ali slabo vzdrževano, se lahko vibracije in hrup razlikujejo. To lahko znatno poveča raven izpostavljenosti v celotnem delovnem obdobju.

Pri oceni ravnih izpostavljenosti vibracijam in hrupu je treba upoštevati tudi čas, ko je orodje izklopljeno ali ko teče, vendar dejansko ne opravlja dela. To lahko bistveno zmanjša raven izpostavljenosti v celotnem delovnem obdobju.

Ugotovite dodatne varnostne ukrepe za zaščito upravljavca pred učinki vibracij in/ali hrupa, kot so: vzdrževanje orodja in dodatkov, tople roke, organizacija delovnih vzorcev.

! **OPOZORILO! Preberite vsa varnostna opozorila in navodila, prikaze in specifikacije tega električnega orodja.** Zakasnelo upoštevanje sledečih navodil lahko povzroči električni udar, požar in/ali težke poškodbe. **Vsa opozorila in napotila shranite, ker jih boste v prihodnje še potrebovali.**

! VARNOSTNI NAPOTKI ZA UDARNI VIJAČNIKI

Nosite zaščitno za sluh. Razvijanje hrupa lahko povzroči izgubo sluha.

Kadar izvajate dela pri katerih lahko sveder zadane v prikrite električne vode, držite napravo za izolirane prijemalne površine. Stik svedra z električnim vodnikom lahko kovinske deli naprave spravi pod napetost in vodi do električnega udara.

! NADALJNA VARNOSTNA IN DELOVNA OPOZORILO

Nosite osebno varovalno opremo. Vedno nosite zaščitna očala. Nošenje ustrezne zaščitne opreme, kot so maske proti prahu, nedrseča obutev, čelada ali zaščitna sluha, zmanjšuje tveganje za poškodbe.

Prah, ki nastaja pri delu, je pogosto zdravju škodljiv in naj ne zaide v telo. Nosite ustrezno masko proti prahu.

Obdelava materialov, iz katerih izhaja ogroženost zdravja (npr. azbest), ni dovoljena.

V primeru blokade orodja napravo takoj izklopite! Naprave ponovno ne vklaplajte dokler je orodje blokirano; pri tem bi lahko prišlo do povratnega udara z velikim reakcijskim momentom. Ugotovite in odpravite vzroke blokade orodja ob upoštevanju varnostnih navodil.

Možni razlogi so lahko:

- Zagozditev v obdelovancu
- prežganje obdelovanega materiala
- Preobremenitev električnega orodja

Ne segajte v stroj v teku.

Orodje ima ostre robove in se lahko med uporabo segreje.

OPOZORILO! Nevarnost ureznin in opeklin

- pri rokovanju z orodji
- pri odlaganju naprave.

Pri rokovanju z orodji nosite zaščitne rokavice.

Trske ali iveri se pri tekočem stroju ne smejo odstranjevati.

Pri delih na steni, stropu ali v tleh pazite na električne kable, plinske in vodne napeljave.

Obdelovanec zavarujte z vpenjalno pripravo. Nezavarovani obdelovanci lahko povzročijo težke poškodbe in okvare.

Pred vsemi deli na stroji odstranite izmenljivi akumulator.

Izrabljenih izmenljivih akumulatorjev ne mečite v ogenj ali v gospodinjne odpadke. Milwaukee nudi okolju prijazno odlaganje starih izmenljivih akumulatorjev; prosimo povprašajte vašega strokovnega trgovca.

Izmenljivih akumulatorjev ne hranite skupaj s kovinskimi predmeti (nevarnost kratkega stika).

Izmenljive akumulatorje sistema M18 polnite samo s polnilnimi aparati sistema M18. Ne polnite nobenih akumulatorjev iz drugih sistemov.

Izmenljivih akumulatorjev in polnilnih aparatov ne odpirajte in jih hranite samo v suhih prostorih. Zaščitite jih pred mokroto.

Pod ekstremno obremenitvijo ali ob ekstremni temperaturi iz poškodovanega izmenljivega akumulatorja lahko izteka akumulatorska tekočina. Po stiku z akumulatorsko tekočino prizadeto mesto takoj izperite z vodo in milom. Po stiku z očmi takoj najmanj 10 minut dolgo temeljito izpirajte in nemudoma obiščite zdravnika.

⚠ OPOZORILO! Ta naprava vsebuje litijevo gumbno baterijo. Nova ali rabljena baterija lahko povzroči težke notranje opekline in v manj kot 2 urah privede do smrti, v kolikor se zaužije ali zaide v telo. V-meraj zavarujepokrov odprtine za baterije. V kolikor varno ne zapira, izklopke naprave, odstranite baterijo in jo shranite izven dosega otrok. Če mislite, da so se baterije zaužile ali so zašle v telo, takoj poiščite zdravniško pomoč.

Opozorilo! V izogib, s kratkim stikom povzročene nevarnosti požara, poškodb ali okvar na proizvodju, orodja, izmenljivega akumulatorja ali polnilne naprave ne potaplajte v tekočine in poskrbite, da ne bo prihajalo do vdora tekočin v naprave in akumulatorje. Korozivne ali prevodne tekočine, kot so slana voda, določene kemikalije in belila ali proizvodi, ki le ta vsebujejo, lahko povzročijo kratek stik.

UPORABA V SKLADU Z NAMEMBNOŠTJO

Univerzalen namen uporabe akumulatorskega udarnega vijačnika služi privitju in odvrtju vijakov in matic, neodvisno od omrežnega priklopa.

Ta naprava se sme uporabiti samo v skladu z namembnostjo uporabiti samo za navede namene.

ES-IZJAVA O SKLADNOSTI

Kot proizvajalec izjavljamo na svojo izključno odgovornost, da je izdelek, opisan pod » Tehnični podatki«, v skladu z vsemi ustreznimi predpisi direktiv 2011/65/EU (RoHS), 2014/53/EU, 2006/42/EG in naslednjimi usklajenimi normativnimi dokumenti:

EN 62841-1:2015
EN 62841-2-2:2014
EN IEC 55014-1:2021
EN IEC 55014-2:2021
EN 62479:2010
EN 301 489-1 V2.2.3
EN 301 489-17 V3.1.1
EN 300 328V2.2.2
EN IEC 63000:2018

Winnenden, 2022-11-01



Alexander Krug
Managing Director



Pooblaščen za izdelavo spisov tehnične dokumentacije.

Techtronic Industries GmbH
Max-Eyth-Straße 10
71364 Winnenden
Germany

UPRAVLJANJE

Opomba: Priporočljivo je, da se po pritrditvi vedno preveri zatezni moment z momentnim ključem.

Na zatezni moment vplivajo različni dejavniki, vključno z naslednjimi.

- Stanje napoljenosti baterije - Ko se baterija izprazni, napetost pade in se zatezni moment zmanjša.
- Hitrosti - uporaba orodja pri nizki hitrosti povzroči manjši zatezni moment.
- Pritrdilni položaj - Način držanja orodja ali pritrdilnega elementa vpliva na zatezni moment.
- Vrtljivi ali vtični vložek - Uporaba vrtljivega ali vtičnega vložka z napačne velikosti ali uporaba opreme ki ni odprta na udarce zmanjšuje zatezni moment.
- Uporaba opreme in podaljškov - odvisno od opreme ali podaljška se lahko zniža zatezni moment udarnega vijačnika.
- Vijak/matica - Zatezni moment se lahko razlikuje glede na premer, dolžino in razred trdnosti vijaka/matice.
- Stanje pritrdilnih elementov - Onesnaženi, korodirani, suhi ali mazani pritrdilni elementi lahko vplivajo na zatezni moment.
- Deli, ki jih je treba priviti - Trdnost delov, ki jih je treba priviti, in katera koli komponenta med njimi (suha ali mazana, mehka ali trdna, vijak, tesnilo ali podložka) lahko vplivajo na zatezni moment.

NAČINI PRIVIJANJA

Čim dlje vijačite snov, vijak ali matico z udarnim vijačnikom, tem bolj jih pritegnite.

Da bi se izognili poškodbam pritrdilnih sredstev ali obdelovancev, se izogibajte prekomernemu trajanju udarcev.

Bodite še posebej previdni pri delu z manjšimi pritrdilnimi sredstvi, ker potrebujejo manjše število udarcev, da dosežete najboljši zatezni moment.

Vadite z različnimi pritrdilnimi elementi in si zapomnite čas, ki ga potrebujete, da dosežete želeni zatezni moment.

Preverite zatezni moment z ročnim momentnim ključem.

Če je zatezni moment previsok, zmanjšajte trajanje udarcev.

Če je zatezni moment nezadosten, povečajte trajanje udarcev.

Olje, umazanija, rja ali drugi nečistoče na navojih ali pod glavo pritrdilnih sredstev vplivajo na raven zateznega momenta.

Navor, potreben za sprostitve pritrdilnih sredstev, je v povprečju 75% do 80% zateznega momenta, odvisno od stanja kontaktnih površin.

Vijaki privijte nekoliko z relativno nizkim zateznim momentom in uporabite ročni momentni ključ za trdno privijanje.

IZBIRA OBRATOVALNEGA NAČINA

Pred spremembo obratovalnega načina počakajte, dokler stroj ne bo v popolnem mirovanju. Za spremembo nastavitve, pritisnite tipko . Pritisnite WLAN-tipko , da boste prednastavljene vrednosti lahko spreminjali z ONE-KEY App na vašem pametnem telefonu.

ONE-KEY™

Da boste o ONE-KEY funkcionalnosti tega orodja izvedeli več, preberite priložena navodila za hiter začetek ali pa nas obiščite na internetu pod www.milwaukeeool.com/one-key. ONE-KEY App lahko naložite na vaš pametni telefon preko App Store ali Google Play.

Kadar je naprava vsled elektrostatične razelektritve motena, se LED prikazovalnik hitrosti izklopi in hitrosti ni več mogoče regulirati. V tem primeru nadomestni akumulator in gumbno baterijo odstranimo in ponovno uporabimo (glej stran 6 in stran 15). Vsled elektrostatičnih razelektritev povzročene motnje privedejo tudi do prekinitve Bluetooth komunikacije. V tem primeru je Bluetooth povezavo potrebno znova vzpostaviti manualno.

Prikaz ONE-KEY™

Modra svetloba	Daljinska povezava je aktivna in jo je mogoče nastaviti prek aplikacije ONE-KEY™.
Modro utripanje	Orodje komunicira z aplikacijo ONE-KEY™.
Rdeče utripanje	Orodje je bilo iz varnostnih razlogov blokirano in odklene ga lahko upravljavec prek aplikacije ONE-KEY™.

AKUMULATORJI

Izmenljive akumulatorje, ki jih daljši čas niste uporabljali, pred uporabo naknadno napolnite.

Temperatura nad 50°C zmanjšuje zmogljivost izmenljivega akumulatorja. Izogibajte se daljšemu segrevanju zaradi sončnih žarkov ali grelja.

Pazite, da ostanje priključni kontakti na polnilnem aparatu in izmenljivem akumulatorju čisti.

za optimalno življenjsko dobo je potrebno akumulatorje po uporabi do konca napolniti.

Za čim daljšo življenjsko dobo naj se akumulatorji po napolnitvi vzamejo ven iz naprave za polnjenje.

Pri skladiščenju akumulatorjev daj kot 30 dni: Akumulator skladiščiti pri 27°C in na suhem. Akumulator skladiščiti pri 30%-50% stanja polnjenja. Akumulator spet napolniti vsakih 6 mesecev.

ZAŠČITA PREOBREMITIVNE AKUMULATORJA

V primeru preobremenitve akumulatorjev zaradi zelo visoke porabe toka, npr. ekstremno visokih vrtilnih momentov, zatika svedra, nenadne zaustavitve ali kratkega stika, električno orodje 2 sekundi brni in se samodejno izklopi.

Za ponoven vklop izpustite tipko stikala in nato znova vklopite. Pod ekstremnimi obremenitvami se lahko akumulator močno segreje. V tem primeru se akumulator izklopi.

TRANSPORT LITIJ-IONSKIH AKUMULATORJEV

Litij-ionski akumulatorji so podvrženi zakonskim določbam transporta nevarnih snovi.

Transport teh akumulatorjev se mora izvajati upoštevajoč lokalne, nacionalne in mednarodne predpise in določbe.

- Potrošniki lahko te akumulatorje še nadalje transportirajo po cesti.
- Komerčni transport litij-ionskih akumulatorjev s strani špediterskih podjetij je podvržen določbam transporta nevarnih snovi. Priprava opreme in transporta se lahko vrši izključno s strani ustrezno izšolanih oseb. Celoten proces je potrebno strokovno spremljati. Pri transportu akumulatorjev je potrebno upoštevati sledeče točke:
- V izogib kratkim stikom zagotovite, da bodo kontakti zaščiteni in izolirani.
- Bodite pozorni na to, da paket akumulatorja v notranjosti embalaže ne bo mogel zdrsniti.
- Poškodovanih ali iztekajočih akumulatorjev ni dovoljeno transportirati. Za nadaljnja navodila se obrnite na vaše špeditersko podjetje.

VZDRŽEVANJE

Navodila za vzdrževanje najdete v ONE-KEY App.

Uporabljajte samo Milwaukee pribor in Milwaukee nadomestne dele. Poskrbite, da sestavne dele, katerih zamenjava ni opisana, zamenjajo v Milwaukee servisni službi (upoštevajte brošuro Garancija aslovi servisnih služb).

Po potrebi je mogoče pri vašem servisnem mestu ali neposredno pri Techtronic Industries GmbH, Max-Eyth-Straße 10, 71364 Winnenden, Germany, naročiti eksplozijsko risbo naprave ob navedbi tipa stroja in na tablici navedene šestmestne številke.

SIMBOLI

	POZOR! OPOZORILO! NEVARNO!
	Pred vsemi deli na stroji odstranite izmenljivi akumulator.
	Prosimo, da pred uporabo pozorno preberete to navodilo za uporabo.
	Nositi zaščitne rokavice
	Gumbne baterije ne zaužijte!
	Odpadnih baterij, odpadne električne in elektronske opreme ne odstranjujte kot nesortirani komunalni odpadek. Odpadne baterije ter odpadno električno in elektronsko opremo je treba zbirati ločeno. Odpadne baterije, odpadne akumulatorje in svetlobne vire je treba odstraniti iz opreme. Za nasvet glede recikliranja in zbirnih mest se obrnite na lokalno oblast ali trgovca. V skladu z lokalnimi predpisi so lahko trgovci na drobno obvezani, da morajo brezplačno vzeti nazaj odpadne baterije ter odpadno električno in elektronsko opremo. Vaš prispevek k ponovni uporabi in recikliranju odpadnih baterij ter odpadne električne in elektronske opreme pomaga pri zmanjševanju povpraševanja po surovinah. Odpadne baterije, še posebej tiste, ki vsebujejo litij, ter odpadna električna in elektronska oprema vsebujejo dragocene materiale, primerne za recikliranje, ki imajo lahko, če niso odstranjeni na okolju prijazen način, škodljive posledice za okolje in zdravje ljudi. Z odpadne opreme izbršite osebne podatke, če obstajajo.
n_p	Število vrtljajev v prostem teku
v	Napetost
	Enosmerni tok
	Evropska oznaka za združljivost
	Britanska oznaka za združljivost
	Ukrajinska oznaka za združljivost
	Evrazijska oznaka za združljivost

TEHNIČKI PODACI	AKUMULATORSKU UDARNI IZVIJAČ	M18 ONEFHWP12	M18 ONEFHWF12	M18 ONEFHWF34
Broj proizvodnje	4671 85 04... ..000001-999999	4671 95 04... ..000001-999999	4672 05 04... ..000001-999999	
 Broj okretaja praznog hoda	0-950 min ⁻¹	0-550 min ⁻¹	0-800 min ⁻¹	
 Broj okretaja praznog hoda	0-1500 min ⁻¹	0-1400 min ⁻¹	0-1300 min ⁻¹	
 Broj okretaja praznog hoda	0-1800 min ⁻¹	0-1750 min ⁻¹	0-1800 min ⁻¹	
 Broj okretaja praznog hoda	0-1800 min ⁻¹	0-1750 min ⁻¹	0-1800 min ⁻¹	
Okretni moment max.....	1017 Nm	1356 Nm	1627 Nm	
Maksimalna veličina vijka / veličina matice.....	M 24	M33	M33	
Priključivanje alata	1/2" (13 mm)	1/2" (13 mm)	3/4" (19 mm)	
Napon baterije za zamjenu	18 V	18 V	18 V	
Težina po EPTA-proceduri 01/2014 (4,0 Ah / 5,0 Ah).....	3,2 kg	3,3 kg	3,5 kg	
Težina po EPTA-proceduri 01/2014 (9,0 Ah).....	3,6 kg	3,7 kg	3,9 kg	
Bluetooth-pojas frekvencija (pojasevi frekvencija)	2402-2480 MHz	2402-2480 MHz	2402-2480 MHz	
Visokofrekvencijska.....	1,8 dBm	1,8 dBm	1,8 dBm	
Bluetooth-Verzija	4.0 BT signal mode	4.0 BT signal mode	4.0 BT signal mode	
Preporučena temperatura okoline kod rada	-18 +50 °C	-18 +50 °C	-18 +50 °C	
Preporučeni tipovi akumulatora	M18B2, M18B4, M18B5, M18B6, M18B9			
Preporučeni punjači	M12-18C, M12-18AC, M12-18FC, M1418C6			

Informacije o buci/vibracijama

Mjerne vrijednosti utvrđene odgovarajuće EN 62841.

A-ocjenjeni nivo buke aparata iznosi tipično:

Nivo pritiska zvuka (Nesigurnost K=3dB(A))

Nivo učinka zvuka (Nesigurnost K=3dB(A))

Nositi zaštitu sluh!

Ukupne vrijednosti vibracije (Vektor suma tri smjera) su odmjerene odgovarajuće EN 62841.

Vrijednost emisije vibracije a_w

Stezanje vijaka i matica maksimalne veličine

Nesigurnost K=.....

UPOZORENJE!

Razine emisije vibracija i buke navedena u ovom informacijskom listu izmjerene su u skladu sa standardiziranim ispitom koji propisuje EN 62841 i mogu se upotrebljavati za međusobnu usporedbu alata. Također se mogu upotrebljavati za prethodnu procjenu izloženosti.

Navedene razine emisija vibracija i buke predstavljaju glavnu svrhu primjene alata. Međutim, ako se alat upotrebljava u druge svrhe, s drugim priborom ili se ne održava dovoljno, emisije vibracija i buke mogu biti drukčije. To može značajno povećati razinu izloženosti tijekom cjelokupna razdoblja rada.

Procjena razine izloženosti vibracijama i buci također bi u obzir trebala uzeti razdoblja tijekom kojih je alat isključen ili kada je uključen, no njime se ne obavlja nikakav rad. Time se značajno može smanjiti razina izloženosti tijekom cjelokupna razdoblja rada.

Utvrđite dodatne sigurnosne mjere kako biste zaštitili rukovatelja od ovih učinaka vibracija i/ili buke, primjerice: održavanje alata i pribora, osiguravanje da ruke budu tople, organizacija obrazaca rada.

UPOZORENJE! Treba pročitati sve napomene o sigurnosti, upute, prikaze i specifikacije za ovaj električni alat. Propusti kod pridržavanja sljedećih uputa može uzrokovati strujni udar, požar i/ili teške ozljede.

Sačuvajte sve napomene o sigurnosti i upute za buduću primjenu.

SIGURNOSNE UPUTE ZA UDARNI IZVIJAČ

Nosite zaštitu za sluh. Djelovanje buke može dovesti do gubitka sluha.

Držite spravu na izoliranim držačkim površinama kada izvodite radove kod kojih rezački alat može pogoditi skrivene vodove struje. Kontakt rezačkog alata sa vodovima koji sprovode napon može metalne dijelove sprave dovesti pod napon i tako dovesti do električnog udara.

OSTALE SIGURNOSNE I RADNE UPUTE

Nosite osobnu zaštitnu opremu. Nosite uvijek zaštitne naočale. Nošenje dotične odgovarajuće zaštitne opreme kao maske protiv prašine, neproklizne cipele, zaštitni šljem ili zaštitne sluha, smanjuje riziko ozljeda.

Prašina koja nastaje prilikom rada je često nezdruva i ne bi smijela dospjeti u tijelo. Nositi prikladnu zaštitnu masku protiv prašine.

Ne smiju se obrađivati nikakvi materijali, od kojih prijeti opasnost po zdravlje (npr. azbest).

Kod blokiranja alata koji se upotrebljava uređaj molimo odmah isključiti! Uređaj nemojte ponovno uključiti za vrijeme dok je alat koji se upotrebljava blokiran, time može doći do povratnog udara sa visokim reakcijskim momentom. Pronadite i otklonite uzrok blokiranja alata koji se upotrebljava uz poštivanje sigurnosnih uputa.

Mogući uzroci tome mogu biti:

- Izoblješavanje u izratku koji se obrađuje
- Probijanje materijala koji se obrađuje
- Preopterećenje električnog alata

Nemojte sezati u stroj koji radi.

Radni alat je oštrobriđan i može za vrijeme uporabe postati vruć.

UPOZORENJE! Opasnost od rezanja i opekotina

– kod rukovanja s radnim alatima

– kod odlaganja uređaja.

Kod rukovanja radnim alatima nositi zaštitne rukavice.

Piljevina ili iverje za vrijeme rada stroja ne smiju odstranjivati.

Kod radova na zidu, stropu ili podu paziti na električne kablove kao i vodove plina i vode.

Osigurajte vaš izradak jednim steznim uređenjem. Neosigurani izradci mogu prouzročiti teške povrede i oštećenja.

Prije svih radova na stroju izvaditi bateriju za zamjenu.

Istrošene baterije za zamjenu ne bacati u vatru ili u kućno smeće. Milwaukee nudi mogućnost uklanjanja starih baterija odgovarajuće okolini; upitajte molimo Vašeg stručnog trgovca.

Baterije za zamjenu ne čuvati skupa sa metalnim predmetima (opasnost od kratkog spoja).

Baterije sistema M18 puniti samo sa uređajem za punjenje sistema M18. Ne puniti baterije iz drugih sistema.

Baterije za zamjenu i uređaje za punjenje ne otvarati i čuvati ih samo u suhim prostorijama. Čuvati protiv vlage.

Pod ekstremnim opterećenjem ili ekstremne temperature može iz oštećenih baterija iscuriti baterijska tekućina. Kod dodira sa baterijskom tekućinom odmah isprati sa vodom i sapunom. Kod kontakta sa očima odmah najmanje 10 minuta temeljno ispirati i odmah potražiti liječnika.

UPOZORENJE! Ovaj uređaj sadrži litijску dugmastu staničnu bateriju.

Jedna nova ili rabljena baterija može prouzročiti teške unutarnje opekotine i za manje od 2 sata prouzročiti smrt, ako se proguta ili ako dospije u tijelo. Osigurajte uvijek poklopac pretinca za baterije. Ako ovaj ne zatvara na siguran način, isključite uređaj, odstranite bateriju i čuvajte ovu van dometa za djecu. Ako vjerujete, da je baterija bila progutana ili da je dospjela u tijelo, odmah potražiti liječničku pomoć.

Upozorenje! Zbog izbjegavanja opasnosti od požara jednim kratkim spojem, opasnosti od ozljeda ili oštećenja proizvoda, alat, izmjenjivi akumulator ili napravu za punjenje ne urojavati u tekućine i pobrinite se za to, da u uređaj ili akumulator ne prodiru nikakve tekućine. Korozirajuće ili vodljive tekućine kao slana voda, određene kemikalije i sredstva za bijeljenje ili proozvodi koji sadrže sredstva bijeljenja, mogu prouzročiti kratak spoj.

PROPISNIA UPOTREBA

Udarni zavrtać sa akumulatorom je univerzalno upotrebljiv za pričvršćivanje i odvrtnje vijaka i matica, nezavisno od priključka struje.

Ovaj aparat se smije upotrijebiti samo u određene svrhe kao što je navedeno.

IZJAVA O SUKLADNOSTI

Izjavljujemo kao proizvođač na osobnu odgovornost, da je proizvod, opisan pod "Tehnički podaci" sukladan sa svim relevantnim propisima smjernica 2011/65/EU (RoHS), 2014/53/EU, 2006/42/EG i sa sljedećim harmoniziranim normativnim dokumentima:

EN 62841-1:2015
EN 62841-2-2:2014
EN IEC 55014-1:2021
EN IEC 55014-2:2021
EN 62479:2010
EN 301 489-1 V2.2.3
EN 301 489-17 V3.1.1
EN 300 328V2.2.2
EN IEC 63000:2018

Winnenden, 2022-11-01


Alexander Krug
Managing Director



Ovlašten za formiranje tehničke dokumentacije.

Techntron Industries GmbH

Max-Eyth-Straße 10

71364 Winnenden

Germany

POSLUŽIVANJE

Uputa: Preporučuje se, poslije pričvršćenja zakretni moment privlačenja uvijek provjeriti jednim zakretnim moment ključem.

Na zakretni moment privlačenja se utječe mnogim faktorima, uključujući sljedeće.

- Stanje punjenja baterije - Kada je baterija ispražnjena, napon opada i zakretni moment privlačenja se smanjuje.
- Broj okretaja - Primjena alata kod niske brzine vodi do jednog manjeg zakretnog momenta privlačenja.
- Pozicija pričvršćenja - Vrsta i način, kako držite alat ili element koji se pričvršćuje, utječe na zakretni moment privlačenja.
- Zakretni/utični umetak - Primjena zakretnog ili utičnog umetka pogrešne veličine ili primjena pribora koji je neotporan na udare, reducira zakretni moment privlačenja.
- Primjena pribora i produženja - zavisno o priboru ili produženju, zakretni moment privlačenja udarnog zavrtaća može biti reduciran.
- Vijak/Matica - zakretni moment privlačenja može zavisno o promjeru, dužini, kategoriji čvrstoće vijka/matice varirati.
- Stanje pričvršnih elemenata - uprljani, korozni, suhi ili podmazani pričvršni elementi mogu utjecati na zakretni moment privlačenja.
- Dijelovi koji se spajaju - Čvrstoća dijelova koji se spajaju i svaki element između toga (suhi ili podmazani, meki ili tvrdi, ploča, brtva ili podloška) mogu utjecati na zakretni moment privlačenja.

TEHNIKE UVRTANJA

Što duže se jedan svornjak, matica ili udarnim zavijačem opterećuju, to će ovi jače biti stegnuti.

Zbog izbjegavanja oštećenja pričvršnog sredstva ili izratka, izbjegavajte prekomjerno trajanje udaranja.

Budite posebno oprezni, ako djelujete na manja pričvršna sredstva, jer je ovima je potrebno manje udaraca da bi se postigao optimalan zakretni moment privlačenja.

Vježbajte s raznim pričvršnim elementima i zapamtite vrijeme koje vam je potrebno za postizanje poželjnog zakretnog momenta privlačenja.

Zakretni moment privlačenja provjerite jednim ručnim zakretnim moment ključem.

Ako je zakretni moment privlačenja previsok, smanjite vrijeme udaranja. Ako je zakretni moment nije dovoljan, povećajte vrijeme udaranja.

Ulje, prljavština, hrđa ili druge prljavštine na navojima ili ispod glave pričvršnog sredstva utječu na visinu zakretnog momenta privlačenja.

Za odvrtnje jednog pričvršnog sredstva potrebni zakretni moment iznosi prosječno 75% do 80% od zakretnog momenta privlačenja, zavisno o stanju kontaktnih površina.

Izvodite lake radove zavrtanja s jednim relativno niskim zakretnim momentom privla

enja i uporabite za finalno pritezanje jedan ru

ni zakretni moment klju.

IZBOR VRSTE POGONA

Prije promjene vrste pogona pričekati sve dok potpunog zaustavljanja aparata. Da bi se promijenila namještanja, pritisnuti tipku  WLAN tipku  pritisnuti, da bi se prethodno namještena vrijednosti preko ONE-KEY App promijenile na vašem Smartphoneu.

ONE-KEY™

Da bi se saznalo više o ONE-KEY funkcionalnosti ovoga alata, pročitajte priloženu upute o brzom startu ili nas posjetite na internetu pod www.milwaukeeool.com/one-key. ONE-KEY App možete preko App Store ili Google Play preuzeti na vaš Smartphone.

Ako je uređaj ometan elektrostatičkim pražnjenjima, LED-prikaz brzine se gasi i brzina se više ne može regulirati. U tome slučaju izvaditi zamjenjivi akumulator i element u obliku gumba i ponovno umetnuti (vidi stranu 6 i stranu 15).

Smetnje prouzročene elektrostatičkim pražnjenjima vode i do prekida Bluetooth-komunikacije. U tome slučaju se Bluetooth-Verbindung mora ručno ponovno uspostaviti.

ONE-KEY™ prikaz

Plavo svijetljenje	Radioveza je aktivna i može se podesiti preko ONE-KEY™ App-a.
Plavo treperenje	Alat komunicira s ONE-KEY™ App-om.
Crveno treperenje	Alat je iz sigurnosnih razloga blokiran i može se od strane poslužioaca preko ONE-KEY™ App-a deblokirati.

BATERIJE

Baterije koje duže vremena nisu korištene, prije upotrebe napuniti.

Temperatura od preko 50°C smanjuje učinak baterija. Duže zagrijavanje od strane sunca ili grijanja izbjeci.

Priključne kontakte na uređaju za punjenje i baterijama držati čistima.

Za optimalni vijek trajanja se akumulatori poslije upotrebe moraju savim napuniti.

Za što moguće duži vijek trajanja, akumulatori se nakon punjenja moraju odstraniti iz punjača.

Kod skladištenja akumulatora duže od 30 dana:

Akumulator skladištiti na suhom kod ca. 27°C.

Akumulator skladištiti kod ca. 30%-50% stanja punjenja.

Akumulator ponovno napuniti svakih 6 mjeseci.

ZAŠTITA OD PREOPTEREĆENJA AKUMULATORA

Kod preopterećenja akumulatora kroz visoku potrošnju struje, npr. ekstremno visoki okretni momenti, zaglavljivanje svrdla, naglo zaustavljanje ili kratki spoj, elektroalat brui 2 sekunde dugo i isključuje se samostalno.

Za ponovno uključivanje ispuštiti otkopac prekidača i zatim ponovno uključiti.

Pod ekstremnim opterećenjima se akumulator može jako zagrijati. U ovom slučaju se akumulator isključuje.

TRANSPORT LITIJSKIH IONSKIH BATERIJA

Litijske-ionske baterije spadaju pod zakonske odredbe u svezi transporta opasne robe.

Prijevoz ovih baterija mora uslijediti uz poštovanje lokalnih, nacionalnih i internacionalnih propisa i odredaba.

• Korisnici mogu bez ustručavanja ove baterije transportirati po cestama.

• Komercijalni transport litijsko-ionskih baterija od strane transportnih poduzeća spada pod odredbe o transportu opasne robe. Otpremničke pripreve i transport smiju izvoditi isključivo odgovarajuće školovane osobe. Kompletni proces se mora pratiti na stručan način.

Kod transporta baterija se moraju poštivati sljedeće točke:

• Uvjerite se da su kontakti zaštićeni i izolirani kako bi se izbjegli kratki spojevi.

• Pazite na to, da blok baterija unutar pakiranja ne može proklizavati.

• Oštećene ili iscrpene baterije se ne smiju transportirati. U svezi ostalih uputa obratite se vašem prijevoznom poduzeću.

ODRŽAVANJE

Upute o održavanju ćete pronaći u ONE-KEY App.

Primijeniti samo Milwaukee opremu i Milwaukee rezervne dijelove. Sastavne dijelove, čija zamjena nije opisana, dati zamijeniti kod jedne od Milwaukee servisnih službi (poštivati brošuru Garancija/Adrese servisa).

Po potrebi se crtež pojedinih dijelova aparata uz navođenje podatka o tipu stroja i šestznamenastog broja na pločici snage može zatražiti kod vašeg servisa ili direktno kod Techtronic Industries GmbH, Max-Eyth-Straße 10, 71364 Winnenden, Njemačka.

SIMBOLI

	PAŽNJA! UPOZORENIE! OPASNOST!
	Prije svih radova na stroju izvaditi bateriju za zamjenu.
	Molimo da pažljivo pročitate uputu o upotrebi prije puštanja u rad.
	Nositi zaštitne rukavice!
	Dugmaste stanične baterije ne progutati!
	Stare baterije, električni i elektronički uređaji se ne smiju zbrinjavati skupa sa kućnim smećem. Stare baterije, električni i elektronički uređaji se moraju odvojeno skupljati i zbrinuti.
	Prije zbrinjavanja odstranite stare baterije, stare akumulatore i rasvjetna sredstva iz uređaja. Raspitajte se kod mjesnih vlasti ili kod Vašeg stručnog trgovca o mjestima recikliranja i mjestima skupljanja. Zavisno o mjesnim odredbama stručni trgovci mogu biti obvezatni, stare baterije, i električne i elektroničke stare uređaje besplatno uzeti nazad. Doprinesite kroz ponovnu primjenu i recikliranje Vaših starih baterija, električnih i elektronskih uređajatom, da se potreba za sirovinama smanji. Stare baterije (prije svega litijske baterije, električne i elektronske stare uređaje sadrže dragocjene, ponovno uporabljive materijale, koje bi kod zbrinjavanja protivno očuvanju okoline mogli imati negativne posljedice za okolinu i Vaše zdravlje. Prije zbrinjavanja izbršite postojeće podatke koji se odnose na osobe, koji se po mogućnosti nalaze na Vašem starom uređaju.
	Broj okretaja praznog hoda
	Napon
	Istosmjerna struja
	Europski znak suglasnosti
	Britanski znak suglasnosti
	Ukrajinski znak suglasnosti
	Euroazijski znak suglasnosti

TEHNIŠKIE DATI	AKUMULATORA TRIECIENA SKRUVGRIEZIS	M18 ONEFHWP12	M18 ONEFHWF12	M18 ONEFHWF34
Izlaides numurs	4671 85 04... ..	4671 95 04... ..	4672 05 04... ..
	Tukšgaitas apgriezianu skaits0-950 min ⁻¹0-550 min ⁻¹0-800 min ⁻¹
	Sitienu skaits0-1150 min ⁻¹0-950 min ⁻¹0-850 min ⁻¹
	Tukšgaitas apgriezianu skaits0-1500 min ⁻¹0-1400 min ⁻¹0-1300 min ⁻¹
	Sitienu skaits0-2100 min ⁻¹0-1750 min ⁻¹0-1850 min ⁻¹
	Tukšgaitas apgriezianu skaits0-1800 min ⁻¹0-1750 min ⁻¹0-1800 min ⁻¹
	Sitienu skaits0-2400 min ⁻¹0-2100 min ⁻¹0-2400 min ⁻¹
	Tukšgaitas apgriezianu skaits0-1800 min ⁻¹0-1750 min ⁻¹0-1800 min ⁻¹
	Sitienu skaits0-2400 min ⁻¹0-2100 min ⁻¹0-2400 min ⁻¹
Griezes moments max	1017 Nm	1356 Nm	1627 Nm
Maksimālais skrūves lielums/uzgriežņa lielums	M 24	M33	M33
Instrumentu stiprinājums	1/2" (13 mm)	1/2" (13 mm)	3/4" (19 mm)
Akumulatora spriegums	18 V	18 V	18 V
Svars atbilstoši EPTA -Procedure 01/2014 (4,0 Ah / 5,0 Ah)	3,2 kg	3,3 kg	3,5 kg
Svars atbilstoši EPTA -Procedure 01/2014 (9,0 Ah)	3,6 kg	3,7 kg	3,9 kg
Bluetooth frekvenču josla (frekvenču joslas)	2402-2480 MHz	2402-2480 MHz	2402-2480 MHz
Augstfrekvences	1,8 dBm	1,8 dBm	1,8 dBm
Bluetooth versija	4.0 BT signal mode	4.0 BT signal mode	4.0 BT signal mode
Leteicamā vides temperatūra darba laikā	-18 +50 °C	-18 +50 °C	-18 +50 °C
Leteicamie akumulatoru tipi	M18B2, M18B4, M18B5, M18B6, M18B9		
Leteicamās uzlādes ierīces	M12-18C, M12-18AC, M12-18FC, M1418C6		

Trokšņu un vibrāciju informācija

Vērtības, kas noteiktas saskaņā ar EN 62841.

A novērtētās aparatūras skaņas līmenis ir:

Trokšņa spiediena līmenis (Nedrošība K=3dB(A))..... 94,7 dB (A) 94,9 dB (A) 98,5 dB (A)

Trokšņa jaudas līmenis (Nedrošība K=3dB(A))..... 105,7 dB (A) 105,9 dB (A) 109,5 dB (A)

Nēsāt trokšņa slāpētāju!

Svārstību kopējā vērtība (Trīs virzienų vektoru summa) tiek noteikta atbilstoši EN 62841.

Svārstību emisijas vērtība a_w

Maksimāla lieluma skrūvju un/uzgriežņu piegriešana..... 18,4 m/s²..... 16,7 m/s²..... 15,9 m/s²

Nedrošība K=..... 1,5 m/s²..... 1,5 m/s²..... 1,5 m/s²

UZMANĪBU!

Vibrācijas un trokšņa emisijas līmenis šajā informācijas lapā ir izmērīts saskaņā ar EN 62841 standarta testa metodi un var tikt izmantots, lai saīdinātu vienu ierīci ar otru. Tās var tikt izmantotas ietekmes sākotnējai izvērtēšanai.

Norādītās vibrācijas un trokšņa emisijas līmenis attēlo ierīces galvenos izmantošanas veidus. Tomēr, ja ierīce tiek izmantota citiem mērķiem, ar citu papildaprīkojumu vai nepareizi apkalpota, vibrācijas un trokšņa emisija var atšķirties. Tās var ievērojami paaugstināt ietekmes līmeni visā darba laikā.

Novērtējot vibrācijas un trokšņa ietekmes līmeni, vajadzētu ņemt vērā arī laiku, kad ierīce ir izslēgta vai ieslēgta, taču netiek lietota. Tas var ievērojami samazināt ietekmes līmeni visā darba laikā.

Lai aizsargātu operatoru no vibrācijas un/vai trokšņa, veiciet papildu drošības pasākumus, piemēram, veiciet apkopi ierīcei un papildaprīkojumam, uzturiet rokas siltas, organizējiet darba grafiku.

▲ BRĪDINĀJUMS Izlasiet visus šim elektroinstrumentam pievienotos drošības brīdinājumus, instrukcijas, ilustrācijas un specifikācijas. Nespēja ievērot visas zemāk uzskaitītās instrukcijas var novest pie elektrošoka, ugunsgrēka un/vai smagiem savainojumiem. **Pēc izlasīšanas uzglabājiet šos noteikumus turpmākai izmantošanai.**

▲ DROŠĪBAS NOSACĪJUMI LIETOJOT TRIECIENA SKRUVGRIEZIS

Nēsājiet ausu aizsargus. Trokšņa iedarbības rezultātā var rasties dzirdes traucējumi.

Turiet ierīci aiz izolētajām turēšanas virsmām, veicot darbus, kur skrūve var skart apslēptus elektrības vadus. Skrūves kontakts ar spriegumu vadošu vadu var ierīces metāla daļas uzlādēt un novest pie elektriskās strāvas trieciena.

▲ CITAS DROŠĪBAS UN DARBA INSTRUKCIJAS

Valkājiet individuālu aizsargaprīkojumu. Vienmēr lietojiet aizsargbrilles. Piemērota aizsargaprīkojuma izmantošana, tāda kā sejas aizsargmaska, nesīdīši apavi, aizsargķivere vai dzirdes aizsarglīdzekļi, samazina ievainojumu risku.

Puteklji, kas rodas darba gaitā, bieži ir kaitīgi veselībai un tiem nevajadzētu nokļūt organismā. Jānēsā piemērota maska, kas pasargā no putekļiem.

Nedrīkst apstrādāt materiālus, kas rada draudus veselībai (piemēram, azbestu).

Ja izmantojamais darba rīks tiek bloķēts, nekavējoties izslēgt ierīci! Neieslēdziet ierīci, kamēr izmantojamais darba rīks ir bloķēts; var rasties atsiens ar augstu griezes momentu. Noskaidrojiet un novērsiet izmantojamā darba rīka bloķēšanas iemeslu, ievērojot visas drošības norādes.

Iespējamie iemesli:

- iesprūdis apstrādājamajam materiālam
- apstrādājamais materiāls ir caursists
- elektroinstrumentis ir pārslogots

Leslēgtai ierīcei nepieskarties.

Ierīces uzgaļiem ir asas malas un lietošanas laikā tas var sakarst.

BRĪDINĀJUMS! Sagriešanās un apdedzināšanās risks

– strādājot ar ierīci;

– novietojot ierīci.

Strādājot ar ierīci, valkājiet aizsargcimdus.

Skaidas un atlūzas nedrīkst ņemt ārā, kamēr mašina darbojas.

Veicot darbus sienu, griestu un grīdas apvidū, vajag uzmanīties, lai nesabojātu elektriskos, gāzes un ūdens vadus.

Fiksējiet apstrādājamo materiālu ar fiksācijas aprīkojumu. Nenostiprināti materiāli var izraisīt smagus savainojumus un bojājumus.

Pirms mašīnai veikt jebkāda veida apkopes darbus, ir jāizņem ārā akumulators.

Izmantotos akumulārus nedrīkst mest ugunī vai parastajos atkritumos. Firma Milwaukee piedāvā iespēju vecos akumolatorus savākt apkārtējo vidi saudzējotā veidā; jautājiet speciālistā veikalā.

Akumulātorus nav ieteicams glabāt kopā ar metāla priekšmetiem (iespējams īsslēgums).

M18 sistēmas akumolatorus lādēt tikai ar M18 sistēmas lādētājiem. Nedrīkst lādēt citus akumolatorus no citām sistēmām.

Akumulātorus un lādētājus nedrīkst taisīt vaļā un tie jāuzglabā sausās telpās.

Pie ārkārtas slodzes un ārkārtas temperatūrām no bojātā akumolatora var izteciēt akumolatora šķidrums. Ja nonākat saskarsmē ar akumolatora šķidrumu, saskarsmes vieta nekavējoties jānomazgā ar ūdeni un ziepēm. Ja šķidrums nonācis acīs, acis vismaz 10 min. skalot un nekavējoties konsultēties ar ārstu.

▲ BRĪDINĀJUMS! Šī ierīce satur litija podziņbateriju. Jauna vai lietota baterija var izraisīt smagus iekšējus apdegumus un izraisīt nāvi mazāk nekā 2 stundu laikā, ja tā tiek norīta vai nokļūst ķermenī. Vienmēr nodrošiniet bateriju nodalījuma vāku. Ja tas droši neaizveras, izslēdziet ierīci, izņemiet bateriju un uzglabājiet bērnēm nepieejamā vietā. Ja Jums ir aizdomas par to, ka baterijas ir norītas vai nokļuvušas ķermenī, nekavējoties uzmeklējiet ārstu.

Brīdinājumi! Lai novērstu īssavienojuma izraisītu aizdegšanās, savainojumu vai produkta bojājuma risku, neiegremdējiet instrumentu, mainīnāo akumulatoru vai uzlādes ierīci šķidrums un rūpējieties par to, lai ierīcēs un akumulatoros neieklūtu šķidrums. Koroziju izraisīši vai vadītspējīgi šķidrums, piemēram, sālsūdens, noteiktas ķīmikālijas, balinātāji vai produkti, kas satur balinātājus, var izraisīt īssavienojumu.

NOTEIKUMIEM ATBILSTOŠS IZMANTOJUMS

Uzgriežņu atslēga ar akumulatoru ir universāli izmantojama skrūvju un uzgriežņu skrūvēšanai un atskrūvēšanai bez tīkla pieslēguma.

Šo instrumentu drīkst izmantot tikai saskaņā ar minētajiem lietošanas noteikumiem.

EK ATBILSTĪBAS DEKLARĀCIJA

Mēs kā ražotājs un vienīgā atbildīgā persona apliecinām, ka mūsu "Tehniskajos datos" raksturotais produkts atbilst visām attiecīgajām Direktīvu 2011/65/ES (RoHS), 2014/53/ES, 2006/42/EK normām un šādiem saskaņotiem normatīvajiem dokumentiem:

EN 62841-1:2015
EN 62841-2-2:2014
EN IEC 55014-1:2021
EN IEC 55014-2:2021
EN 62479:2010
EN 301 489-1 V2.2.3
EN 301 489-17 V3.1.1
EN 300 328V2.2.2
EN IEC 63000:2018

Winnenden, 2022-11-01

Alexander Krug
Managing Director



Pilnvarotais tehniskās dokumentācijas sastādītājs.

Teichronic Industries GmbH
Max-Eyth-Straße 10
71364 Winnenden
Germany

APKALPOŠANA

Norādījums: Pēc piestiprināšanas ieteicams ar momentatslēgu vienmēr pārbaudīt pievilksanas griezes momentu.

Pievilksanas griezes momentu ietekmē daudz faktoru, tostarp turpmāk minētie.

- Akumulatora uzlādes stāvoklis – Ja akumulators ir izlādējies, spriegums krītas un pievilksanas griezes moments samazinās.
- Apgrieziena skaiti – Ja darbarīku izmanto ar zemu ātrumu, pievilksanas griezes moments ir mazāks.
- Stiprinājuma pozīcija – Tas, kā jūs turat darbarīku vai stiprinājuma elementu, ietekmē pievilksanas griezes momentu.
- Griešanas/uzspraužamais uzgalis – Ja izmanto nepareiza izmēra griešanas vai uzspraužamo uzgali vai piederumus bez triecienuizturības, pievilksanas griezes moments samazinās.
- Piederumu un pagarinājumu izmantošana – Atkarībā no piederumiem vai pagarinājuma triecienuizturīgā pievilksanas griezes moments var samazināties.
- Skrūve/uzgrieznis – Pievilksanas griezes moments var atšķirties atkarībā no skrūves/uzgriežņa diametra, garuma un pretestības klases.
- Stiprinājuma elementu stāvoklis – Netīri, sarūsējuši, sausi vai ieeļļoti stiprinājuma elementi var ietekmēt pievilksanas griezes momentu.
- Skrūvējamās daļas – Skrūvējamo daļu pretestība un katra starp tām esošā konstrukcijas detaļa (sausa vai ieeļļota, mīksta vai cieta, disks, blīve vai starplika) var ietekmēt pievilksanas griezes momentu.

IESKRŪVĒŠANAS METODE

Jo ilgāk tapa, skrūve vai uzgrieznis tiek noslogoti ar triecienuizturīgā, jo ciešāk tie tiek pievilkti.

Lai novērstu stiprinājuma līdžekļu vai sagatavju bojājumus, izvairieties no pārlieku ilgas trieciendarbības.

Esiet īpaši piesardzīgi, iedarbojoties uz mazākiem stiprinājuma līdžekļiem, jo ir nepieciešams mazāk triecienu, lai sasniegtu optimālu pievilksanas griezes momentu.

Vingrinieties strādāt ar dažādiem stiprinājuma elementiem un iegaumējiet laiku, kāds nepieciešams, lai sasniegtu vēlamu pievilksanas griezes momentu.

Pārbaudiet pievilksanas griezes momentu ar rokas momentatslēgu.

Ja pievilksanas griezes moments ir pārāk augsts, samaziniet trieciendarbības laiku.

Ja pievilksanas griezes moments ir nav pietiekams, paaugstiniet trieciendarbības laiku.

Pie stiprinājuma līdžekļa vītņēm vai zem galviņas esošā eļļa, rūsa un citi netīrumi ietekmē pievilksanas griezes momenta apmēru.

Stiprinājuma elementa atskrūvēšanai nepieciešamais griezes moments parasti atbilst vidēji 75% līdz 80% no pievilksanas griezes momenta atkarībā no kontaktvirsmu stāvokļa.

Veiciet vieglus ieskrūvēšanas darbus ar relatīvu mazu pievilksanas griezes momentu un galīgi pievilksanai izmantojiet rokas momentatslēgu.

DARBA REŽĪMA IZVĒLE

Pirms darba režīma maiņas nogaidiet, līdz ierīce pilnībā apstājas. Lai mainītu iestatījumus, nospiediet taustiņu . Nospiediet bezvada interneta taustiņu , lai iestatītās vērtības ar ONE-KEY App izmainītu savā smārtfonā.

ONE-KEY™

Lai vairāk uzzinātu par šī instrumenta ONE-KEY funkcionalitāti, izlasiet pievienoto ātrās palaišanas instrukciju vai apmeklējiet mūsu interneta mājas lapu www.milwaukeeetool.com/one-key. Jūs varat ONE-KAY App savā smārtfonā lejuplādēt no App Store vai Google Play.

Ja ierīces darbību traucē statistiskās elektrības izlādes, LED ātruma rādījums nodzīst un ātrumu vairs nav iespējams regulēt. Tādā gadījumā izņemiet un atkārtoti ievietojiet maināmo akumulatoru un podzīnelementu (skatīt 6. un 15. lappusi). Statiskās elektrības izlādes izraisīti traucējumi rada arī pārtraukumus Bluetooth komunikācijā. Šādā gadījumā Bluetooth savienojums jāatjauno manuāli.

ONE-KEY™ rādījums

Lampīņa spīd zilā krāsā	Bezvadu savienojums ir aktīvs un to var iestatīt ar ONE-KEY™ lietotni.
Lampīņa mirgo zilā krāsā	Instrumentu sazinās ar ONE-KEY™ lietotni.
Lampīņa mirgo sarkanā krāsā	Instrumenti ir bloķēti ar drošību saistītu iemeslu dēļ un lietotājs to var atbloķēt ar ONE-KEY™ lietotni.

AKUMULĀTORI

Akumulātori, kas ilgāku laiku nav izmantoti, pirms lietošanas jāuzlādē.

Pie temperatūras, kas pārsniedz 50°C, akumolatoru darbība tiek negatīvi ietekmēta. Vajag izvairīties no ilgākas saules un karstuma iedarbības.

Lādētāja un akumolatoru pievienojuma kontakti jāuztur tīri.

Lai baterijas darba ilgums būtu optimāls, pēc iekārtas izmantošanas tā jāuzlādē.

Lai akumulatori kalpotu pēc iespējas ilgāku laiku, tos pēc uzlādes ieteicams atvienot no lādētāj ierīces.

Akumolatora uzglabāšana ilgāk kā 30 dienas: uzglabāt akumolatoru pie aptuveni 27° C un sausā vietā. Uzglabāt akumolatoru uzlādes stāvoklī aptuveni pie 30%-50%. Uzlādēt akumolatoru visus 6 mēnešus no jauna.

AKUMULATORA AIZSARDZĪBA PRET PĀRSLOGOJUMU

Akumolatoru pārslodzējuma gadījumos, esot ļoti lielam elektroenerģijas patēriņam, piem., ārkārtīgi augsts griezes moments, urbja iekēršanās, pēkšņa apstāšanās vai īssavienojums, elektriskais darbarīks 2 sekundes ruc, un pats izslēdzas.

Lai to atkal ieslēgtu, atlaidiet ieslēgšanas pogu un tad to ieslēdziet no jauna.

Esot ārkārtīgi augstam noslogojumam, akumolators var spēcīgi sakarst. Šādā gadījumā akumolators atslēdzas.

LITĪJA JONU AKUMULATORU TRANSPORTĒŠANA

Uz litija jonu akumulatoriem attiecas noteikumi par bīstamo kravu pārvadāšanu.

Šo akumulatoru transportēšana jāveic saskaņā ar vietējiem, valsts un starptautiskajiem normatīvajiem aktiem un noteikumiem.

- Patērētāja darbības, pārvadājot šos akumolatorus pa autoceļiem, nav reglamentētas.

- Uz litija jonu akumulatoru komerciālu transportēšanu, ko veic ekspedīcijas uzņēmums, attiecas bīstamo kravu pārvadāšanas noteikumi. Sagatavošanas darbus un transportēšanu drīkst veikt tikai atbilstoši apmācīts personāls. Viss process jāveda profesionāli. Veicot akumolatoru transportēšanu, jāievēro:

- Pāriecinieties, ka kontakti ir aizsargāti un izolēti, lai izvairītos no īssavienojumiem.

- Pāriecinieties, ka akumolators iepakojumā nevar paslīdēt.

- Bojātus vai tecošus akumolatorus nedrīkst transportēt. Plašāku informāciju Jūs varat saņemt no ekspedīcijas uzņēmuma.

APKOPE

Apkopes instrukcijas skatiet ONE-KEY App.

Izmantojiet tikai firmu Milwaukee piederumus un firmas Milwaukee rezerves daļas. Lieciet nomaiņīt detaļas, kuru nomaiņa nav aprakstīta, kādā no firmu Milwaukee klientu apkalpošanas servisiem. (Skat. brošūru "Garantija/klientu apkalpošanas serviss".)

Pēc pieprasījuma, Jūsu Klientu apkalpošanas centrā vai pie Technotronic Industries GmbH, Max-Eyth-Straße 10, 71364 Winnenden, Vācijā, ir iespējams saņemt iekārtas montāžas rasējumu, iepriekš norādot iekārtas modeli un sērijas numuru, kas atrodas uz datu plāksnītes un sastāv no sešiem simboliem.

SIMBOLI

	UZMANĪBU! BĪSTAMI!
	Pirms mašīnai veikt jebkāda veida apkopes darbus, ir jāizņem ārā akumolators.
	Pirms sākt lietot instrumentu, lūdz, izlasiet lietošanas pamācību.
	Jāvalkā aizsargcimdi!
	Nenorijiet podziņbateriju!
	Neutilizējiet bateriju atkritumus, elektrisko un elektronisko iekārtu atkritumus kā nešķīrotus sadzīves atkritumus. Bateriju atkritumi un elektrisko un elektronisko iekārtu atkritumi ir jāsavāc atsevišķi. Bateriju atkritumi, akumolatoru atkritumi un gaismas avotu atkritumi ir jāņem no iekārtas. Sazinieties ar vietējo iestādi vai mazumtirgotāju, lai iegūtu padomus par atreizejo pārstrādi un savākšanas punktu. Atkarībā no vietējiem noteikumiem, mazumtirgotājiem var būt pienākums bez maksas pieņemt atpakaļ bateriju atkritumus un elektrisko un elektronisko iekārtu atkritumus. Jūsu ieguldījums bateriju atkritumu un elektrisko un elektronisko iekārtu atkritumu atkārtotā izmantošanā un atreizejā pārstrādē palīdz samazināt pieprasījumu pēc izejvielām. Bateriju atkritumos, īpaši tajos, kas satur litiju, un elektrisko un elektronisko iekārtu atkritumos ir vērtīgi, atreiz pārstrādājami materiāli, kas var negatīvi ietekmēt vidi un cilvēku veselību, ja tie netiek utilizēti videi draudzīgā veidā. No iekārtu atkritumiem izdzēsiet personāla datus, ja tādi ir.
	Tukšgaitas apgriezīnu skaits
	Spriegums
	Līdzstrāva
	Eiropas atbilstības zīme
	Lielbritānijas atbilstības zīme
	Ukrainas atbilstības zīme
	Eirāzijas atbilstības zīme

TECHINIAI DUOMENYS	SMŪGINIS ATSUKTUVAS SU AKUMULIATORIUMI	M18 ONEFHWP12	M18 ONEFHWF12	M18 ONEFHWF34
--------------------	--	---------------	---------------	---------------

Produkto numeris.....	4671 85 04... ...000001-999999	4671 95 04... ...000001-999999	4672 05 04... ...000001-999999
 Sūkių skaičius laisva eiga.....	0-950 min ⁻¹	0-550 min ⁻¹	0-800 min ⁻¹
 Apsukų skaičius.....	0-1150 min ⁻¹	0-950 min ⁻¹	0-850 min ⁻¹
 Sūkių skaičius laisva eiga.....	0-1500 min ⁻¹	0-1400 min ⁻¹	0-1300 min ⁻¹
 Apsukų skaičius.....	0-2100 min ⁻¹	0-1750 min ⁻¹	0-1850 min ⁻¹
 Sūkių skaičius laisva eiga.....	0-1800 min ⁻¹	0-1750 min ⁻¹	0-1800 min ⁻¹
 Apsukų skaičius.....	0-2400 min ⁻¹	0-2100 min ⁻¹	0-2400 min ⁻¹
 Sūkių skaičius laisva eiga.....	0-1800 min ⁻¹	0-1750 min ⁻¹	0-1800 min ⁻¹
 Apsukų skaičius.....	0-2400 min ⁻¹	0-2100 min ⁻¹	0-2400 min ⁻¹

Sukimo momentas max.....	1017 Nm	1356 Nm	1627 Nm
Maksimalus varžto / veržlės dydis.....	M 24	M33	M33
Įrankių griebtuvai.....	1/2" (13 mm)	1/2" (13 mm)	3/4" (19 mm)
Keičiamo akumulatoriaus įtampa.....	18 V	18 V	18 V
Prietaiso svoris įvertintas pagal EPTA 01/2014 tyrimų metodiką (4,0 Ah / 5,0 Ah).....	3,2 kg	3,3 kg	3,5 kg
Prietaiso svoris įvertintas pagal EPTA 01/2014 tyrimų metodiką (9,0 Ah).....	3,6 kg	3,7 kg	3,9 kg
„Bluetooth“ radijo dažnių juosta (radijo dažnių juostos).....	2402-2480 MHz	2402-2480 MHz	2402-2480 MHz
Aukšto dažnio.....	1,8 dBm	1,8 dBm	1,8 dBm
„Bluetooth“ versija.....	4.0 BT signal mode	4.0 BT signal mode	4.0 BT signal mode
Rekomenduojama aplinkos temperatūra dirbant.....	-18 +50 °C	-18 +50 °C	-18 +50 °C
Rekomenduojami akumuliatorių tipai.....	M18B2, M18B4, M18B5, M18B6, M18B9		
Rekomenduojami įkrovikliai.....	M12-18C, M12-18AC, M12-18FC, M1418C6		

Informacija apie triukšmą/vibraciją

Vertės matuotos pagal EN 62841.			
Įvertintas A įrenginio keliamo triukšmo lygis dažniausiai sudaro:			
Garso slėgio lygis (Paklaida K=3dB(A)).....	94,7 dB (A)	94,9 dB (A)	98,5 dB (A)
Garso galios lygis (Paklaida K=3dB(A)).....	105,7 dB (A)	105,9 dB (A)	109,5 dB (A)

Nešioti klausos apsauginės priemonės!

Bendroji svyravimų reikšmė (trijų krypčių vektorių suma), nustatyta remiantis EN 62841.

Vibravimų emisijos reikšmė a _w			
Užveržti maksimalus dydžio varžtus ir veržles.....	18,4 m/s ²	16,7 m/s ²	15,9 m/s ²
Paklaida K=.....	1,5 m/s ²	1,5 m/s ²	1,5 m/s ²

DĖMESIO!

Šiame vadove nurodytos bendrosios vibracijos ir triukšmo emisijos vertės nustatytos pagal standartinius bandymo metodus pagal EN 62841, todėl gali būti taikomos lyginant vieną įrankį su kitu. Gali būti naudojama preliminariam poveikio įvertinimui.

Nurodytos bendrosios vibracijos ir triukšmo emisijos vertės atitinka įrankio taikymą. Jei įrankis naudojamas kitokiais tikslais, kartu su kitokiais priedais ar netinkamai prižiūrimas, bendrosios vibracijos ir triukšmo emisijos vertės gali skirtis. Tai gali žymiai padidinti poveikio lygį viso darbo metu.

Apskaičiuojant bendrosios vibracijos ir triukšmo emisijos vertes reikėtų atsižvelgti į laikotarpį, kai prietaisas yra išjungtas arba įjungtas, bet nėra naudojamas. Tai gali žymiai sumažinti poveikio lygį viso darbo metu.

Tam, kad naudotojas būtų apsaugotas nuo vibracijos ir (arba) triukšmo poveikio, reikia nustatyti papildomus saugos reikalavimus, pavyzdžiui: tinkamai prižiūrėti prietaisą ir jo priedus, laikyti rankas šiltais, organizuoti darbo modelius.

⚠ WARNING Perskaitykite visus saugumo įspėjimus, instrukcijas, peržiūrėkite iliustracijas ir specifikacijas, pateiktas kartu su šiuo įrankiu. Jei nepaisysite visų toliau pateiktų instrukcijų, gali trenkti elektros smūgis, kilti gaisras ir/arba galite sunkiai susižaloti arba sužaloti kitus asmenis. **Įsisaugokite šias saugos nuorodas ir reikalavimus, kad ir ateityje galėtumėte jais pasinaudoti.**

⚠ SUKTUVAMS SKIRTI SAUGUMO NURODYMAI:

Nešioti klausos apsaugos priemonės. Triukšmo poveikyje galima netekti klausos.

Prietaisą laikykite ant izoliuoto guminio paviršiaus, jei atliekate darbus, kurių metu sraigtas gali pasiekti sulenktas srovės tiekimo linijas. Sraigtui prisilietus prie įtampą tiekiančių linijų gali įsikrauti prietaiso dalys ir įvykti elektros smūgis.

⚠ KITI SAUGUMO IR DARBO NURODYMAI

Naudokite asmenines apsaugos priemones. Visada mūvėkite apsaugines pirštines. Asmeninių apsaugos priemonių, pavyzdžiui, nuo dulkių apsaugančios kaukės, neslidžios avalynės, apsauginio šalmo ar klausos organų apsaugos priemonės, naudojimas sumažina sužalojimų riziką.

Darbo metu susidarančios dulkės yra dažnai kenksmingos sveikatai ir todėl turėtų nepatekti į organizmą. Dėvėti tinkamą apsauginę kaukę nuo dulkių.

Negalima apdirbti medžiagų, dėl kurių gali būti sveikatos pažeidimai (pvz., asbesto).

Blokuojant įstatomajį įrankį būtina išjungti prietaisą! Neįjunkite prietaiso, kol įstatomasis įrankis yra užblokuotas; galimas grįžtamasis smūgis su dideliu sukimo momentu. Atsižvelgdami į saugumo nurodymus, nustatykite ir pašalinkite įstatomojo įrankio blokavimo priežastį.

Galimos priežastys:

- Susidariusios apdirbamo ruošinio briaunos
- Apdirbamos medžiagos pratrūkimas
- Elektros įrankio perkrova

Nekiškite rankų į veikiančią mašiną.

Darbinis įrankis yra aštriabriaunis ir naudojimo metu gali įkaišti.

ĮSPĖJIMAS! Pavojus įsijauti ir nudęgti:

- dirbant su darbinio įrankiu,
- padedant prietaisą.

Dirbdami su darbinio įrankiu, mūvėkite apsaugines pirštines.

Draudžiama išiminti drožles ar nuopjovas, įrenginui veikiant.

Dirbdami sienoje, lubose arba grindyse, atkreipkite dėmesį į elektros laidus, dujų ir vandens vamzdžius.

Ruošinį užfiksuokite įtempimo įrenginiu. Neužfiksuoti ruošiniai gali sunkiai sužaloti ir būti pažeidimų priežastimi.

Prieš atlikdami bet kokius darbus įrenginyje, išimkite keičiamą akumuliatorių.

Sunaudotų keičiamų akumuliatorių nedeginkite ir nemeskite į buitines atliekas. Milwaukee siūlo tausojančią aplinką sudėvėtų keičiamų akumuliatorių tvarkymą, apie tai teiraukitės prekybos atstovo.

Keičiamų akumuliatorių nelaikykite kartu su metaliniais daiktais (trumpojo jungimo pavojus).

Keičiamus M18 sistemos akumulatorius kraukite tik „C18“ sistemos įkrovikliais. Nekraukite kitų sistemų akumuliatorių.

Keičiamų akumuliatorių ir įkroviklių nelaikykite atvirai. Laikykite tik sausoje vietoje. Saugokite nuo drėgmės.

Ekstremalių apkrovų arba ekstremalios temperatūros poveikyje iš keičiamų akumuliatorių gali ištėkėti akumulatoriaus skystis. Išsitiesus akumulatoriaus skystį, tuoj pat nuplaukite vandeniu su muilu. Patekus į akis, tuoj pat ne trumpiau kaip 10 minučių gausiai skalaukite vandeniu ir tuoj pat kreipkitės į gydytoją.

⚠ ĮSPĖJIMAS! Šiame prietaise įrengtas ličio-jonų akumulatorius. Prarijus arba patekus į kūną naujo arba naudoto akumulatoriaus turinį, gresia sunkus vidinis nudegimas arba mirtis trumpiau nei per 2 valandas. Visada gerai pritvirtinkite akumulatoriaus skyriaus dangtelį. Jei dangtelis neužsidaro, išjunkite maitinimą, ištraukite akumuliatorių ir padėkite atokioje, vaikams nepasiekiamoje vietoje. Jei įtariate, kad akumulatoriaus turinys buvo prarytas arba pateko į kūną, nedelsiant kreipkitės į gydytoją.

Įspėjimas! Siekiami išvengti trumpojo jungimo sukeliama gaisro pavojaus, sužalojimų arba produkto pažeidimų, neikiškite įrankio, keičiamo akumulatoriaus arba įkroviklio į skystčius ir pasirūpinkite, kad į prietaisus arba akumulatoriaus nepatektų jokių skysčių. Koroziją sukeliantys arba laidūs skysčiai, pvz., sūrus vanduo, tam tikri chemikalai ir balikliai arba produktai, kurių sudėtyje yra baliklių, gali sukelti trumpąjį jungimą.

NAUDOJIMAS PAGAL PASKIRTĮ

Akumuliatorinį impulsinį suktuvą galima universaliai naudoti varžtams ir veržlėms priveržti ir atpalaiduoti, nepriklausomai nuo galimybės jungtis į el. tinklą.

Šį prietaisą leidžiama naudoti tik pagal nurodytą paskirtį.

EB ATITIKTIES DEKLARACIJA

Kaip gamintojas atsakingai pareiškiamo, kad gaminys, aprašytas skyriuje „Techniniai duomenys“, atitinka visus 2011/65/ES (RoHS), 2014/53/ES, 2006/42/EB direktyvas ir šių daniųjų norminių dokumentų taikomas reikalavimus:

EN 62841-1:2015
EN 62841-2-2:2014
EN IEC 55014-1:2021
EN IEC 55014-2:2021
EN 62479:2010
EN 301 489-1 V2.2.3
EN 301 489-17 V3.1.1
EN 300 328V2.2.2
EN IEC 63000:2018

Winnenden, 2022-11-01



Alexander Krug
Managing Director



Įgaliotas parengti techninius dokumentus.

Techtronic Industries GmbH
Max-Eyth-Straße 10
71364 Winnenden
Germany

VALDYMAS

Pastaba: rekomenduojama pritvirtinus visada patikrinti užsikimo momentą dinamometriniai raktai.

Užsikimo momentui įtakos turi daugybė veiksnių, tarp jų ir toliau pateiktieji.

- Baterijos įkrovimo lygis – jei baterija išsikrovusi, nėra įtampos ir užsikimo momentas susilpnėja.
- Sukimosi momentas – jei įrankis naudojamas nedideliu greičiu, jo užsikimo momentas silpnės.
- Tvirtinimo padėtis – užsikimo momentui įtakos turi tai, kaip pritvirtinti įrankiai ar tvirtinimo elementai.
- Sukimo / veržliarakčių antgaliai – jei naudojamo sukimo ar veržliarakčio antgalio dydis netinkamas arba naudojami priedai neskirti smūginiams prietaisams, tai sumažina užsikimo momentą.
- Priedų ir įlgintuvų naudojimas – priklausomai nuo priedų arba įlgintuvų smūginio veržliasukio užsikimo momentas gali sumažėti.
- Varžtai / veržlės – užsikimo momentas gali skirtis priklausomai nuo varžtų / veržlių skersmens, ilgio ir kietumo kategorijos.
- Tvirtinimo elementų būklė – nešvarūs, aprūdiję, nesutepti arba tepaluoti tvirtinimo elementai gali turėti įtakos užsikimo momentui.
- Tvirtinami objektai – tvirtinamų objektų kietumas ir bet kokios tarpinės konstrukcijos (nesuteptos arba suteptos, minkštos arba kietos, diskai, tarpinės ar poveržlės) gali turėti įtakos užsikimo momentui.

ISUKIMO BŪDAI

Kuo ilgiau smūginiu veržliasukiu sukama smeigė, varžtas ar veržlė, tuo stipriau ji užveržiama.

Norėdami išvengti tvirtinimo detalių ar įrankių pažeidimo, turite vengti per ilgos sukimo trukmės.

Būkite ypač atsargūs, jei dirbate su smulkios tvirtinimo detalėmis, kadangi joms reikia mažiau smūgių, kad būtų pasiektas optimalus užsikimo momentas.

Pabandykite sukti įvairius tvirtinimo elementus ir įsidėmėkite laiką, per kurį pasiekiamas reikiamas užsikimo momentas.

Patikrinkite užsikimo momentą rankiniu dinamometrinio rakto.

Jei užsikimo momentas per stiprus, sumažinkite sukimo laiką.

Jei užsikimo momentas nepakankamas, sukimo laiką padidinkite.

Tepalai, purvas, rūdys ar kiti nešvarumai, esantys ant sriegių arba po tvirtinimo detalių galvute, turi įtakos užsikimo momentui.

Tvirtinimo detalei atsukti reikalingas sukimosi dažnis vidutiniškai siekia nuo 75 % iki 80 % užsikimo momento, priklausomai nuo kontaktinių paviršių būklės.

Paprastus įsukimo darbus atliktie naudodami santykinai mažą užsikimo momentą, o norėdami galutinai užtvirtinti naudokite rankinį dinamometrinių raktą.

REŽIMO PASIRINKIMAS

Prieš keisdami režimą palaukite, kol prietaisas visiškai sustos. Kad galėtumėte pakeisti nustatymus, nuspauskite mygtuką . Nuspauskite WLĀN mygtuką , kad savo išmaniajame telefone ONE-KEY programa pakeistumėte iš anksto nustatytas vertes.

ONE-KEY™

Kad sužinotumėte daugiau apie ONE-KEY funkcionalumą, perskaitykite pridėtą greitos pradžios instrukciją arba aplankykite mūsų internete www.milwaukeeool.com/one-key. ONE-KEY programą galite atsisiųsti iš App Store arba Google Play į savo išmanųjį telefoną.

Kai įrenginys paveikiamas elektrosstatinės iškrovos, greičio LED išsijungia ir greičio reguliuoti nebegalima. Tokiu atveju išimkite ir įdėkite akumuliatorių bei diskinius galvaninius elementus (žr. 6 psl. ir 15 psl.). Elektrosstatinių iškrovų sukelti sutrikimai pertraukia „Bluetooth“ komunikacijų darbą. Tokiu atveju reikia rankiniu būdu atnaujinti „Bluetooth“ ryšį.

„ONE-KEY™“ indikatorius

Mėlynas švytėjimas	Radijo ryšys yra aktyvus ir gali būti nustatomas naudojantis „ONE-KEY™“ programėle.
Mėlynas mirksėjimas	Įrankis palaiko ryšį su „ONE-KEY™“ programėle.
Raudonas mirksėjimas	Saugumo sumetimais įrankis užblokuotas, operatorius jį gali atblokuoti naudodamasis „ONE-KEY™“ programėle.

AKUMULIATORIAI

Ilgesnį laiką nenaudotus keičiamus akumulatorius prieš naudojimą įkraukite.

Aukštesnė nei 50°C temperatūra mažina keičiamų akumuliatorių galią. Venkite ilgesnio saulės ar šilumos šaltinių poveikio.

Įkroviklio ir keičiamo akumulatoriaus jungiamieji kontaktai visada turi būti švarūs.

Kad prietaisas kuo ilgiau veiktų, pasinaudoję juo, iki galo įkraukite akumulatorius.

Siekiant užtikrinti kuo ilgesnį baterijos tarnavimo laiką, reikėtų ją po atlikto įkrovimo iškart išimti iš įkroviklio.

Bateriją laikant ilgiau nei 30 dienų, būtina atkreipti dėmesį į šias nuorodas: bateriją laikyti sausoje aplinkoje, esant apie 27 °C temperatūrai. Baterijos įkrovimo lygis turi būti nuo 30% iki 50%. Baterija pakartotinai turi būti įkraunama kas 6 mėnesius.

APSAUGA NUO AKUMULIATORIAUS PERKROVOS

Perkrovus akumuliatorių dėl itin didelės vartojamos srovės, pvz.: labai didelių apskų, staigus stabdymo, trumpo sujungimo ar užsikirtus gražtui, elektrinis įrankis veikia dar 2 sekundes ir išsijungia automatiškai. Norint iš naujo įjungti įrankį, reikia atleisti mygtuką ir jį dar kartą įjungti. Dėl ekstremalių apkrovų akumulatorius gali labai stipriai įkaisti. Tokiu atveju jis išsijungia.

LIČIO JONŲ AKUMULIATORIŲ PERVEŽIMAS

Ličio jonų akumulatoriams taikomos įstatyminės nuostatos dėl pavojingų krovinių pervežimų.

Šiuos akumulatorius pervežti būtina laikantis vietinių, nacionalinių ir tarptautinių direktyvų ir nuostatų.

• Naudojotai šiuos akumulatorius gali naudoti savo transporte be jokių kitų sąlygų.

• Už komercinį ličio jonų akumuliatorių pervežimą atsako ekspedicijos įmonė pagal nuostatas dėl pavojingų krovinių pervežimo. Pasiruošimo išsiųsti ir pervežimo darbus gali atlikti tik atitinkamai išmokyti asmenys. Visas procesas privalo būti prižiūrimas.

Pervežant akumulatorius būtina laikytis šių punktų:

• Siekiant išvengti trumpųjų jungimų, įsitikinkite, kad kontaktai yra apsaugoti ir izoliuoti.

• Atkreipkite dėmesį, kad akumulatorius pakuotės viduje neslidinėtų.

• Draudžiama pervežti pažeistus arba tekančius akumulatorius. Dėl detalesnių nurodymų kreipkitės į savo ekspedicijos įmonę.

TECHNINIS APTARNAVIMAS

Techninės priežiūros nurodymus rasite ONE-KEY programoje.

Naudokite tik „Milwaukee“ priedus ir „Milwaukee“ atsarginės dalis. Dalis, kurių keitimas neaprašytas, leidžiama keisti tik „Milwaukee“ klientų aptarnavimo skyriams (žr. garantiją/klientų aptarnavimo skyrių adresus brošiūroje).

Esant poreikiui, nurodžius mašinos modelį ir šešiaženklį numerį, esantį ant specifikacijų lentelės, klientų aptarnavimo centre arba tiesiogiai „Techtronic Industries GmbH“, Max-Eyth-Str. 10, 71364 Winnenden, Vokietija, galite užsakyti išplėstinį prietaiso brėžinį.

SIMBOLIAI

	DĖMESIO! ĮSPĖJIMAS! PAVOJUS!
	Prieš atlikdami bet kokius darbus įrenginyje, išimkite keičiamą akumuliatorių.
	Prieš pradėdami dirbti su prietaisu, atidžiai perskaitykite jo naudojimo instrukciją.
	Lietojiet aizsardzības cimdus!
	Neprarykite tablečių tipo baterijos!
	Neišmeskite baterijų atliekų, elektros ir elektroninės įrangos atliekų kaip nerūšiuotų komunalinių atliekų. Baterijų ir elektros bei elektroninės įrangos atliekos turi būti surenkamos atskirai. Iš įrangos turi būti pašalintos baterijų, akumuliatorių atliekos ir šviesos šaltiniai. Patarimų dėl perdirbimo ir surinkimo vietos kreipkitės į vietinę instituciją arba pardavėją. Priklausomai nuo vietos teisės akto, mažmenininkai gali būti įpareigoti nemokamai priimti atgal senas baterijas, seną elektros ir elektronikos įrangą. Jūsų indėlis į pakartotinį baterijų ir elektros bei elektroninės įrangos atliekų panaudojimą ir perdirbimą padeda sumažinti žaliavų poreikį. Akumuliatorių, ypač kurių sudėtyje yra ličio, ir elektros bei elektroninės įrangos atliekose yra vertingų, perdirbamų medžiagų, kurios gali neigiamai paveikti aplinką ir žmonių sveikatą, jei jos nebus šalinamos aplinką tausojančiu būdu. Išrinkite personalo duomenis iš įrangos atliekų, jei tokių yra.
	Sūkių skaičius laisva eiga
	Įtampa
	Nuolatinė srovė
	Europos atitikties ženklas
	Britanijos atitikties ženklas
	Ukrainos atitikties ženklas
	Eurazijos atitikties ženklas

TEHNIŠED ANDMED	JUTHMETA KRUVIKEERAJA	M18 ONEFHWP12	M18 ONEFHWF12	M18 ONEFHWF34
Tooimnumber.....	4671 85 04... ..000001-999999	4671 95 04... ..000001-999999	4672 05 04... ..000001-999999	
	Pöörlemiskiirus tühjooksul.....	0-950 min ⁻¹	0-550 min ⁻¹	0-800 min ⁻¹
	Löökide arv.....	0-1150 min ⁻¹	0-950 min ⁻¹	0-850 min ⁻¹
	Pöörlemiskiirus tühjooksul.....	0-1500 min ⁻¹	0-1400 min ⁻¹	0-1300 min ⁻¹
	Löökide arv.....	0-2100 min ⁻¹	0-1750 min ⁻¹	0-1850 min ⁻¹
	Pöörlemiskiirus tühjooksul.....	0-1800 min ⁻¹	0-1750 min ⁻¹	0-1800 min ⁻¹
	Löökide arv.....	0-2400 min ⁻¹	0-2100 min ⁻¹	0-2400 min ⁻¹
	Pöörlemiskiirus tühjooksul.....	0-1800 min ⁻¹	0-1750 min ⁻¹	0-1800 min ⁻¹
	Löökide arv.....	0-2400 min ⁻¹	0-2100 min ⁻¹	0-2400 min ⁻¹
Pöördemoment max.....	1017 Nm.....	1356 Nm.....	1627 Nm.....	
Maksimaalne kruvi / mutri suurus.....	M24.....	M33.....	M33.....	
Tööriista kinnitus.....	1/2" (13 mm).....	1/2" (13 mm).....	3/4" (19 mm).....	
Vahetatava aku pinge.....	18 V.....	18 V.....	18 V.....	
Kaal vastavalt EPTA-protseduurile 01/2014 (4,0 Ah / 5,0 Ah).....	3,2 kg.....	3,3 kg.....	3,5 kg.....	
Kaal vastavalt EPTA-protseduurile 01/2014 (9,0 Ah).....	3,6 kg.....	3,7 kg.....	3,9 kg.....	
Bluetoothi sagedusriba (sagedusribad).....	2402-2480 MHz.....	2402-2480 MHz.....	2402-2480 MHz.....	
Kõrgepingeõudlus.....	1,8 dBm.....	1,8 dBm.....	1,8 dBm.....	
Bluetoothiga versioon.....	4.0 BT signal mode.....	4.0 BT signal mode.....	4.0 BT signal mode.....	
Soovitusslik ümritsevat temperatuuritootamisel ajal.....	-18 +50 °C.....	-18 +50 °C.....	-18 +50 °C.....	
Soovitusslikud akutüübid.....	M18B2, M18B4, M18B5, M18B6, M18B9.....	M18B2, M18B4, M18B5, M18B6, M18B9.....	M18B2, M18B4, M18B5, M18B6, M18B9.....	
Soovitusslik laadija.....	M12-18C, M12-18AC, M12-18FC, M1418C6.....	M12-18C, M12-18AC, M12-18FC, M1418C6.....	M12-18C, M12-18AC, M12-18FC, M1418C6.....	

Müra/vibratsioonid andmed

Möötevaärtused on kindlaks tehtud vastavalt normile EN 62841.

Seadme tüüpiline hinnanguline (müratas):

Helirõhutase (Määramatus K=3dB(A)).....	94,7 dB (A).....	94,9 dB (A).....	98,5 dB (A).....
Helivõimsuse tase (Määramatus K=3dB(A)).....	105,7 dB (A).....	105,9 dB (A).....	109,5 dB (A).....

Kandke kaitseks kõrvaklappe!

Vibratsiooni koguväärtus (kolme suuna vektorsumma) mõõdetud EN 62841 järgi.

Vibratsiooni emissiooni väärtus a,

Maksimaalse suurusega kruvide ja mutrite pingutamisel.....	18,4 m/s ²	16,7 m/s ²	15,9 m/s ²
Määramatus K=.....	1,5 m/s ²	1,5 m/s ²	1,5 m/s ²

TÄHELEPANU!

Sellel teabelehel toodud vibratsiooni- ja müraemissioon on mõõdetud standardis EN 62841 kirjeldatud standarditud testiga ning seda võib kasutada tööriistade omavaheliseks võrdlemiseks. Testi võib kasutada kokkupuute esialgseks hindamiseks.

Deklareeritud vibratsiooni- ja müratas puudutab tööriista põhikasutus. Kui tööriista kasutatate muuks otstarbeks, teistsuguste tarvikutega või tööriista hooldatase halvasti, võivad vibratsioon ja müraemissioon erineda. See võib kokkupuutetaset kogu tööajal oluliselt suurendada.

Vibratsiooni ja müraga kokkupuute hinnangulise taseme juures tuleb arvesse võtta ka aega, kui tööriist on välja lülitatud või töötab, kuid sellega ei tehta tööd. See võib kokkupuutetaset kogu tööaja kohta oluliselt vähendada.

Tehke kindlaks täiendavad ohutusmeetmed operatori kaitsmiseks vibratsiooni ja/või müra eest, näiteks: hooldage tööriista ja tarvikuid, hoidke käed soojas, vaadake üle töökorraldus.

▲ TÄHELEPANU! Kõik selle elektrilise tööriistaga kaasasolevad ohutusnõuded, juhised, joonised ja spetsifikatsioonid tuleb läbi lugeda. Kõigi allpool loetletud juhiste eiramise tagajärjeks võib olla elektrilööko, tulekahju ja/või rasked vigastused.

Hoidke kõik ohutusnõuded ja juhised edasiseks kasutamiseks hoolikalt alles.

▲ KRUVITSATE OHUTUSJUHISED:

Kandke kaitseks kõrvaklappe. Müra mõju võib kutsuda esile kuulmise kaotuse.

Hoidke käed seadme isoleeritud käepidemetele, kui Te teostate töid, mille juures kruvi võib sattuda varjatud voolujuhtmetele. Kruvi kontakt pinget juhtiva juhtmega võib panna metallist seadme osad pingele alla ja põhjustada elektrilööko.

▲ EDASISE OHUTUS- JA TÖÖJUHISED

Kasutada kaitsevarustust. Masinaga töötamisel kanda alati kaitseprille. Kaitseriietusena soovitatase kasutada tolumumaski kaitsekindaid, kinniseid ja libisemisvastase tallaga jalanõusid, kiivrit ja kuulmisteede kaitset.

Töö ajal tekkiv tolm on sageli tervistkahjustav ning ei tohiks sattuda organismi. Kanda sobivat kaitsemaski.

Töödelda ei tohi materjale, millest lähtub oht tervisele (nt asbest).

Palun lülitage seade rakendustööriista blokeerumise korral kohe välja! Ärge lülitage seadet sisse tagasi, kuni rakendustööriist on blokeeritud; seejuures võib kõrge reaktsioonimomendiga tagasilööko tekkida. Tehke ohutusjuhiseid arvesse võttes kindlaks ja kõrvaldage rakendustööriista blokeerumise põhjus.

Selle võimalikeks põhjusteks võivad olla:

- viltu asetumine töödeldavas toorikus
- töödeldava materjali läbimurdamine
- elektritööriista ülekoormamine

Ärge sisestage jäsemeid töötavasse masinasse.

Kasutatav tööriist on teravate servadega ja võib kasutamisel ajal muutuda kuumaks.

HOIATUS! Lõike- ja põletusohu
– kasutatavate tööriistade käsitsemisel
– seadme käest ära panemisel.

Kandke kasutatavate tööriistade käsitsemisel ajal kaitsekindaid.

Puru ega pilpaid ei tohi eemaldada masina töötamise ajal.

Seina, lae või põranda tööde puhul pidage silmas elektrijuhtmeid, gaasi- ja veetorusid.

Kinnitage toorik kinnipingutusseadisega. Kinnitamata toorikud võivad raskeid vigastusi ja kahjustusi põhjustada.

Enne kõiki töid masina kallal võtke vahetatav aku välja.

Ärge visake tarvitatud vahetatavaid akusid tulle ega olmeprügisse. Milwaukee pakub vanade akude keskkonnanahoidlikku käitlust; palun küsige oma eriaselset tarnijat.

Ärge säilitage vahetatavaid akusid koos metallesemetega (lühiseoht).

Laadige süsteemi M18 vahetatavaid akusid ainult süsteemi M18 laadijatega. Ärge laadige nendega teiste süsteemide akusid.

Ärge avage vahetatavaid akusid ega laadijaid ning ladustage neid ainult kuivades ruumides. Kaitske niiskuse eest.

Äärmuslikul koormusel või äärmuslikul temperatuuril võib kahjustatud vahetatavast akust akudevadik välja voolata. Akudevadikuga kokkupuutumise korral peske kohe vee ja seebiga. Silma sattumise korral loputage kiiresti põhjalikult vähemalt 10 minutit ning pöörduge viivitamatult arsti poole.

! HOIATUS! See seade sisaldab liitiumnõppatareid. Kui uus või kasutatud patarei on organismi sattunud või see on alla neelatud, võib see tekitada sisemisi põletusi ja vähem kui 2 tunni pärast surma põhjustada. Pange patareipesa kaas alati kindlalt kinni. Kui see kindlalt ei sulgu, lülitage seade välja, võtke patarei välja ja hoidke seda lastele kättesaamatus kohas. Kui te arvate, et patareid on alla neelatud või organismi sattunud, võtke viivitamatult ühendust arstiga.

Hoiatus! Lühisest põhjustatud tuleohtu, vigastuste või toote kahjustuste vältimiseks ärge kastke tööriista, vahetusakut ega laadimiseadet vedelikku ning jälgige, et vedelikele ei tungiks seadmetesse ega akusse. Korrodeeruvad või elektrit juhtivad vedelikud, nagu soolvesi, teatud kemikaalid ja pleegitusained või pleegitusained sisaldavad tooted, võivad põhjustada lõhust.

KASUTAMINE VASTAVALT OTSTARBELE

Aku-löökkruvi on universaalne tööriist mutrite ja kruvide kinni- ja lahtikeeramiseks võrguühendusest sõltumata.

Antud seadet tohib kasutada ainult vastavalt äranäidatud otstarbele.

EÜ VASTAVUSDEKLARATSIOON

Kinnitame tootjana ainuiskuliselt vastutades, et jaotises „Tehnilised andmed“ kirjeldatud toode on kooskõlas ELi direktiivide 2011/65/EU (RohS), 2014/53/EL, 2006/42/EG kõikide asjaomaste eeskirjade ja allpool nimetatud normdokumentidega:

EN 62841-1:2015
EN 62841-2-2:2014
EN IEC 55014-1:2021
EN IEC 55014-2:2021
EN 62479:2010
EN 301 489-1 V2.2.3
EN 301 489-17 V3.1.1
EN 300 328V2.2.2
EN IEC 63000:2018

Winnenden, 2022-11-01



Alexander Krug
Managing Director



On volitatud koostama tehnilist dokumentatsiooni.

Techtronic Industries GmbH
Max-Eyth-Straße 10
71364 Winnenden
Germany

KÄSITSEMINA

Märkus: Pärast kinnikeeramist soovitage pingutusmomenti kontrollida dünamomeetrilise suvitõmega.

Pingutusmomenti mõjutab suur hulk tegureid, mis hõlmab järgmist:

- Akupatarei laadimisolek. Kui akupatarei on tühjenenud, alaneb tööpinge ja väheneb pingutusmoment.
- Pöörlemiskiirus. Kui tööriista kasutatakse madalal pöörlemiskiirusel, on tagajärjeks vähenenud pingutusmoment.
- Kinnitusasend. Pingutusmomenti mõjutab viis, kuidas hoiate tööriista ja kinnitusvahendit.
- Padrun/adapter. Vale suurusega padruni/adapteri või mittelöögikindlate tarvikute kasutamine vähendab pingutusmomenti.
- Tarvikute ja pikenduste kasutamine. Olenevalt tarvikutest või pikendustest võib löökvõtme pingutusmoment väheneda.
- Kruvi/mutter. Pingutusmoment muutub sõltuvalt kruvi/mutri läbimõõdust, pikkusest ja tugevusklassist.
- Kinnitudetailide seisund. Pingutusmomenti võivad mõjutada määrduvad, korrodeerunud, kuivad või määritud kinnitusvahendid.
- Kinnikeeratavad detailid. Kinnikeeratavate detailide tugevus ja iga konstruktsioonielemeendi nende vahel (kuiv või määritud, pehme või kõva, seib, tihend või lameseib) võib pingutusmomenti mõjutada.

SISSEKEERAMISE TEHNIKAD

Mida kauem polti, kruvi või mutrit löökvõtme koormatakse, seda tugevamini keeratakse see kinni.

Kinnitusvahendite või toorikute kahjustuste ärahoidmiseks vältige ülemäärast löögi kestust.

Olge eriti ettevaatlik, kui töötate väiksemate kinnitusvahenditega, sest need vajavad optimaalse pingutusmomenti saavutamiseks vähem lööke.

Harjutage erinevate kinnitusvahenditega ja jälgige, kui palju aega kulub soovitud pingutusmomenti saavutamiseks.

Kontrollige pingutusmomenti dünamomeetrilise käsimitrivõtmeaga.

Kui pingutusmoment on liiga suur, alandage löögikiirust.

Kui pingutusmoment ei ole piisav, suurendage löögikiirust.

Õli, mustus, rooste või muud jäägid keermetes või kinnitusvahendi pea all mõjutavad pingutusmomenti.

Olenevalt kontaktpindade seisundist on kinnitusvahendi vabastamiseks vaja rakendada 75% kuni 80% kinnikeeramisel kasutatud pingutusmomentidist.

Teostage kergemaid töid suhteliselt väikese pingutusmomentidiga ja lõplikuks pingutamiseks kasutage dünamomeetrilist käsimitrivõtit.

KÄITAMISREŽIIMI VALIK

Enne käitamisrežiimi muutmist oodake ära, kuni seade on täielikult seisunud. Seadistuste muutmiseks vajutage nuppu . Vajutage WLAN-i nuppu , et muuta eelseadistatud väärtusi oma nutitelefonis oleva ONE-KEY äpi kaudu.

ONE-KEY™

Et selle tööriista ONE-KEY funktsionaalsuse kohta rohkem teada saada, lugege kaasasolevat kiirkäivituse juhendit või külastage meid internetis aadressil www.milwaukeeetool.com/one-key. Te saate ONE-KEY äpi oma nutitelefonile alla laadida App Store'i või Google Play kaudu.

Kui seadme töö saab elektrostaatiliste lahenduste tõttu häiritud, lülitub LED kiiruse näidik välja ning kiirust ei ole enam võimalik reguleerida. Sellisel juhul võtke vahetatav aku ja nõppatarei välja ning pange uuesti tagasi (vt lk 6 ja 15). Elektrostaatiliste lahenduste tekitatud häired põhjustavad ka bluetoothi side katkemise. Sellisel juhul tuleb bluetoothi side uuesti käsitsi luua.

Näidik ONE-KEY™

Sinine tuli põleb	Raadioside on aktiivne ja seda saab rakenduse ONE-KEY™ kaudu seadistada.
Sinine tuli vilgub	Tööriist suhtleb rakendusega ONE-KEY™.
Punane tuli vilgub	Tööriist on kaitse-eesmärkidel lukustatud ja kasutaja saab seda rakenduse ONE-KEY™ kaudu lukust lahti teha.

AKUD

Pikemat aega mittekasutatud akusid laadige veel enne kasutamist.

Temperatuur üle 50 °C vähendab vahetatava aku töövõimet. Vältige pikemat soojenemist päikese või kütteseadme mõjul.

Hoidke laadija ja vahetatava aku ühenduskontaktid puhtad.

Optimaalse patarei elua tagamiseks, pärast kasutamist lae patareiplokk täielikult.

Akud tuleks võimalikult pika kasutusea saavutamiseks pärast täislaadimist laadijast välja võtta.

Aku ladustamisel üle 30 päeva:
Ladustage akut kuivas kohas u 27°C juures.
Ladustage akut u 30-50% laetusseisundis.
Laadige aku iga 6 kuu tagant täis.

AKU KOORMUSKAITSE

Aku ülekoormamisel kõrge voolutarbimisega, nt puuri blokeerumisel, äkilisel seisumisel või lühise tekkimisel, vibreerib elektritööriist 2 sekundit ning seejärel lülitub automaatselt välja. Uuesti sisse lülitamiseks tuleb päästik esmalt vabastada ning seejärel uuesti alla suruda. Ülisuurel koormusel võib aku kuumeneda kõrgete temperatuurideni. Sellisel juhul lülitub aku välja.

LIITIUMIOONAKUDE TRANSPORTIMINE

Liitiumioonakud on allutatud ohtlike ainete transportimisega seonduvatele õigusaktidele.

Nende akude transportimine peab toimuma kohalikest, siseriiklikest ja rahvusvahelistest eeskirjadest ning määrustest kinni pidades.

- Tarbijad tohivad neid akusid edasiste piiranguteta tänaval transportida.

- Liitiumioonakude komertstransport ekspedeerimisettevõtete kaudu on allutatud ohtlike ainete transportimisega seonduvatele õigusaktidele. Tame-ettevalmistusi ja transporti tohivad teostada eranditult vastavalt koolitatud isikud. Kogu protsessi tuleb asjatundlikult jälgida.

Akude transportimisel tuleb järgida järgmisi punkte:

- Tehke kindlaks, et kontaktid on lühiste vältimiseks kaitstud ja isoleeritud.
- Pöörake tähelepanu sellele, et akupakk ei saaks pakendis nihkuda.
- Kahjustatud või välja voolanud akusid ei tohi kasutada. Pöörduge edasiste juhiste saamiseks ekspedeerimisettevõtte poole.

HOOLDUS

Hooldusjuhised leiате ONE-KEY äpist.

Kasutage ainult Milwaukee tarvikuid ja Milwaukee tagavaraosi. Detailid, mille väljavahetamist pole kirjeldatud, laske välja vahetada Milwaukee klienditeeninduspunkti (vaadake brošüüri garantii / klienditeeninduste aadressid).

Vajadusel saab nõuda seadme plahvatusjoonise võimsussildil oleva masinatüübi ja kuuekohalise numbrilise klienditeeninduspunkti või vahetult firmalt Techtronic Industries GmbH, Max-Eyth-Straße 10, 71364 Winnenden, Germany.

SÜMBOLID

	ETTEVAATUST! TÄHELEPANU! OHUD!
	Enne kõiki töid masina kallal võtke vahetatav aku välja.
	Palun lugege enne käikulaskmist kasutamjuhend hoolikalt läbi.
	Kanda kaitsekindaid!
	Nõppatareid ei tohi alla neelata!
	Ärge kõrvaldage patareide, elektri- ja elektroonikaseadmete jäätmeid sorteerimata olmejäätmetena. Akude, elektri- ja elektroonikaseadmete jäätmed tuleb koguda eraldi. Akude, akumulaatorite ja valgusallikate jäätmed tuleb seadmetest eemaldada. Küsige oma kohalikest omavalitsusest või jaemüüjalt nõuandeid ringlussevõtu ja kogumispunkti kohta. Olenevalt kohalikest määrustest võib jaemüüjal lasuda kohustus võtta akude, elektri- ja elektroonikaseadmeid vastu tasuta. Teie panus akude, elektri- ja elektroonikaseadmete jäätmete korduskasutusse ja ringlussevõtu aitab vähendada nõudlust toorainete järele. Akud, eriti liitiumakud ning elektri- ja elektroonikaseadmete jäätmed, sisaldavad väärtuslikke taaskasutatavaid materjale, mis võivad kahjustada keskkonda ja inimeste tervist, kui neid ei kõrvaldata keskkonnasõbralikul viisil. Kustutage kõrvaldatavatest seadmetest isiklikud andmed, kui neid seal on.
n_p	Pöörlemiskiirus tühjooksul
v	Pinge
	Alalisvool
	Euroopa vastavusmärk
	Ühendkuningriigi vastavusmärk
	Ukraina vastavusmärk
	Euraasia vastavusmärk

ТЕХНИЧЕСКИЕ ДАННЫЕ	АКК. ИМПУЛЬСНЫЙ ГАЙКОВЕРТ	M18 ONEFH1WP12	M18 ONEFH1WF12	M18 ONEFH1WF34
--------------------	---------------------------	----------------	----------------	----------------

Серийный номер изделия.....	4671 85 04... ..000001-999999	4671 95 04... ..000001-999999	4672 05 04... ..000001-999999
 Число оборотов без нагрузки.....	0-950 min ⁻¹	0-550 min ⁻¹	0-800 min ⁻¹
 Число ударов	0-1150 min ⁻¹	0-950 min ⁻¹	0-850 min ⁻¹

 Число оборотов без нагрузки.....	0-1500 min ⁻¹	0-1400 min ⁻¹	0-1300 min ⁻¹
 Число ударов	0-2100 min ⁻¹	0-1750 min ⁻¹	0-1850 min ⁻¹

 Число оборотов без нагрузки.....	0-1800 min ⁻¹	0-1750 min ⁻¹	0-1800 min ⁻¹
 Число ударов	0-2400 min ⁻¹	0-2100 min ⁻¹	0-2400 min ⁻¹

 Число оборотов без нагрузки.....	0-1800 min ⁻¹	0-1750 min ⁻¹	0-1800 min ⁻¹
 Число ударов	0-2400 min ⁻¹	0-2100 min ⁻¹	0-2400 min ⁻¹

Момент затяжки max.....	1017 Nm	1356 Nm	1627 Nm
Максимальный размер винта / Размер гайки.....	M 24	M33	M33
Держатель вставок	1/2" (13 mm)	1/2" (13 mm)	3/4" (19 mm)
Вольтаж аккумулятора	18 V	18 V	18 V
Вес согласно процедуре EPTA 01/2014 (4,0 Ah / 5,0 Ah).....	3,2 kg	3,3 kg	3,5 kg
Вес согласно процедуре EPTA 01/2014 (9,0 Ah).....	3,6 kg	3,7 kg	3,9 kg
Диапазон частот Bluetooth (диапазоны частот).....	2402-2480 MHz	2402-2480 MHz	2402-2480 MHz
Мощность высокой частоты	1,8 dBm	1,8 dBm	1,8 dBm
Версия Bluetooth	4.0 BT signal mode	4.0 BT signal mode	4.0 BT signal mode
Рекомендуемая температура окружающей среды во время работы	-18 +50 °C	-18 +50 °C	-18 +50 °C
Рекомендуемые типы аккумуляторных блоков.....	M18B2, M18B4, M18B5, M18B6, M18B9		
Рекомендуемые зарядные устройства	M12-18C, M12-18AC, M12-18FC, M1418C6		

Информация по шумам/вибрации

Значения замерялись в соответствии со стандартом EN 62841.

Уровень шума прибора, определенный по показателю A, обычно составляет:

Уровень звукового давления (Небезопасность K=3дБ(A))..... 94,7 дБ (A) 94,9 дБ (A) 98,5 дБ (A)

Уровень звуковой мощности (Небезопасность K=3дБ(A))..... 105,7 дБ (A) 105,9 дБ (A) 109,5 дБ (A)

Пользуйтесь приспособлениями для защиты слуха.

Общие значения вибрации (векторная сумма трех направлений) определены в соответствии с EN 62841.

Значение вибрационной эмиссии a_w

Завинчивание винтов и гаек максимальных размеров..... 18,4 м/с²..... 16,7 м/с²..... 15,9 м/с²

Небезопасность K=..... 1,5 м/с²..... 1,5 м/с²..... 1,5 м/с²

ВНИМАНИЕ!

Заявленные значения вибрации и шумового излучения, указанные в настоящем информационном листе, были измерены согласно стандартизированному методу испытания согласно EN 62841 и могут использоваться для сравнения одного инструмента с другим. Они могут применяться для предварительной оценки воздействия на организм человека.

Указанные значения вибрации и шумового излучения действительны для основных областей применения инструмента. Однако если инструмент используется в других областях применения или с другими принадлежностями либо проходит ненадлежащее обслуживание, значения вибрации и шумового излучения могут отличаться. Это может существенно увеличить уровень воздействия на организм на протяжении общего периода работы.

При оценке уровня воздействия вибрации и шумового излучения на организм также необходимо учитывать периоды, когда инструмент выключен, или когда он работает, но фактически не используется для выполнения работы. Это может существенно сократить уровень воздействия на организм на протяжении общего периода работы.

Определите дополнительные меры для защиты оператора от воздействия вибрации и/или шума, такие как обслуживание инструмента и его принадлежностей, сохранение рук в тепле, организация графиков работы.

ВНИМАНИЕ! Ознакомьтесь со всеми предупреждениями относительно безопасного использования, инструкциями, иллюстративным материалом и техническими характеристиками, поставляемыми с этим электроинструментом. Несоблюдение всех нижеследующих инструкций может привести к поражению электрическим током, пожару и/или тяжелым травмам. Сохраняйте эти инструкции и указания для будущего использования.

УКАЗАНИЯ ПО ТЕХНИКЕ БЕЗОПАСНОСТИ ДЛЯ ИМПУЛЬСНЫЙ ГАЙКОВЕРТ

Используйте наушники! Воздействие шума может привести к потере слуха.

Если Вы выполняете работы, при которых болт может зацепить скрытую электропроводку, устройству следует держать за специально предназначенные для этого изолированные поверхности. Контакт болта с токоведущим проводом может ставить под напряжение металлические части прибора, а также приводить к удару электрическим током.

ДОПОЛНИТЕЛЬНЫЕ УКАЗАНИЯ ПО БЕЗОПАСНОСТИ И РАБОТЕ

Используйте средства индивидуальной защиты. Всегда используйте защитные очки. Использование подходящих средств индивидуальной защиты, таких как пыленепроницаемая маска, нескользящая обувь, защитная каска или средства защиты органов слуха, уменьшает риск травмирования.

Пыль, возникающая при работе данным инструментом, может нанести вред здоровью. Не следует допускать её попадания в организм. Надевайте противольевой респиратор.

Запрещается обрабатывать материалы, которые могут нанести вред здоровью (напр., асбест).

При блокировании используемого инструмента немедленно выключите прибор! Не включайте прибор до тех пор, пока используемый инструмент заблокирован, в противном случае может возникнуть отдача с высоким реактивным моментом. Определите и устраните причину блокирования используемого инструмента с учетом указаний по безопасности.

Возможными причинами могут быть:

- перекос заготовки, подлежащей обработке
- разрушение материала, подлежащего обработке

• перегрузка электроинструмента

Не прикасаться к работающему станку.

Вставной инструмент имеет острые края и может нагреваться во время применения.

ПРЕДУПРЕЖДЕНИЕ! Опасность порезов и ожогов

- при обращении с вставными инструментами
- при опускании инструмента.

При работе со вставными инструментами надевайте защитные перчатки.

Не убирайте опилки и обломки при включенном инструменте.

При работе в стенах, потолках или полу следите за тем, чтобы не повредить электрические кабели или водопроводные трубы.

Зафиксируйте вашу заготовку с помощью зажимного приспособления. Незафиксированные заготовки могут привести к тяжелым травмам и повреждениям.

Выньте аккумулятор из машины перед проведением с ней каких-либо манипуляций.

Не выбрасывайте использованные аккумуляторы вместе с домашним мусором и не сжигайте их. Дистрибьюторы компании Milwaukee предлагают восстановление старых аккумуляторов, чтобы защитить окружающую среду.

Не храните аккумуляторы вместе с металлическими предметами во избежание короткого замыкания.

Для зарядки аккумуляторов модели M18 используйте только зарядным устройством M18. Не заряжайте аккумуляторы других систем.

Никогда не вскрывайте аккумуляторы или зарядные устройства и храните их только в сухих помещениях. Следите, чтобы они всегда были сухими.

Аккумуляторная батарея может быть повреждена и дать течь под воздействием чрезмерных температур или повышенной нагрузки. В случае контакта с аккумуляторной кислотой немедленно промойте место контакта мылом и водой. В случае попадания кислоты в глаза промойте глаза в течение 10 минут и немедленно обратитесь за медицинской помощью.

ПРЕДУПРЕЖДЕНИЕ! Данный прибор содержит в себе один литиевый миниаторный элемент питания.

Как новый, так и использованный элемент питания может привести к тяжелым внутренним ожогам и смерти в течение менее 2 часов, если он был проточен или попал внутрь организма иным способом. Всегда следите, чтобы крышка батарейного отсека была закрыта.

Если крышка плотно не закрывается, отключите прибор, выньте элемент питания и спрячьте от детей.

При подозрении, что элемент питания был проточен или попал внутрь организма иным способом, срочно обратитесь к врачу.

Предупреждение! Для предотвращения опасности пожара в результате короткого замыкания, травм и повреждения изделия не опускайте инструмент, сменный аккумулятор или зарядное устройство в жидкости и не допускайте попадания жидкости внутрь устройств или аккумуляторов. Коррозионные и проводящие жидкости, такие как соленый раствор, определенные химикаты, отбеливающие средства или содержащие их продукты, могут привести к короткому замыканию.

ИСПОЛЬЗОВАНИЕ

Универсальный аккумуляторный винтоверт с ударным режимом служит для завинчивания и отвертывания болтов и гаек, не требуя подключения к электросети.

Не пользуйтесь данным инструментом способом, отличным от указанного для нормального применения.

ДЕКЛАРАЦИЯ СООТВЕТСТВИЯ ЕС

Под собственную ответственность мы как производитель заявляем о том, что описанное в разделе «Технические характеристики» изделие отвечает всем соответствующим требованиям директив 2011/65/ЕС (директива, ограничивающая содержание вредных веществ), 2014/53/ЕС, 2006/42/ЕС и следующих гармонизированных нормативных документов:

EN 62841-1:2015
EN 62841-2-2:2014
EN IEC 55014-1:2021
EN IEC 55014-2:2021
EN 62479:2010
EN 301 489-1 V2.2.3
EN 301 489-1 V3.1.1
EN 300 328V2.2.2
EN IEC 63000:2018

Winnenden, 2022-11-01



Alexander Krug
Managing Director



Уполномочен на составление технической документации.

Techtronic Industries GmbH
Max-Eyth-Straße 10
71364 Winnenden
Germany

ЭКСПЛУАТАЦИЯ

Указание: рекомендуется после затягивания всегда проверять момент затяжки с помощью динамометрического ключа.

Момент затяжки зависит от множества факторов, таких как следующие.

- Уровень заряда батареи - если батарея разряжена, то напряжение падает и момент затяжки уменьшается.
- Скорость вращения - использование инструмента на меньшей скорости приводит к меньшему моменту затяжки.
- Положение при затягивании - способ удержания инструмента или затягиваемого элемента влияет на момент затяжки.
- Торцевая головка и насадка - использование головок и насадок неподходящего размера или недостаточной прочности уменьшает момент затяжки.
- Использование комплекующих и удлинителей - в зависимости от комплекующих и удлинителей момент затяжки может уменьшиться.
- Винт/гайка - момент затяжки может меняться в зависимости от диаметра, длины и класса прочности винта/гайки.
- Состояние крепежных элементов - грязные, пораженные коррозией, сухие или покрытые смазкой крепежные элементы могут повлиять на момент затяжки.
- Закручиваемые части - прочность закручиваемых частей и прочих элементов между ними (сухие или покрытые смазкой, мягкие или твердые, шайба, уплотнение или подкладочное кольцо) могут повлиять на момент затяжки.

ТЕХНИКИ ЗАКРУЧИВАНИЯ

Чем дольше прилагается усилие на винт или гайку, тем прочнее они затягиваются.

Чтобы избежать повреждения крепежных элементов, избегайте чрезмерного времени приложения усилия.

Будьте предельно осторожны, работая с маленькими крепежными элементами, поскольку им нужно меньше импульсов, чтобы достигнуть оптимальной степени затяжки.

Попрактикуйтесь на различных крепежных элементах и запомните время, которое необходимо для того, чтобы достичь желаемой степени затяжки.

Проверьте момент затяжки ручным динамометрическим ключом.

Если момент затяжки слишком велик, сократите время воздействия.

Если момент затяжки недостаточен, увеличьте время воздействия.

Масло, грязь ржавчина и прочие загрязнения на резьбе или под головкой крепежного средства влияют на величину момента затяжки.

Вращательный момент для откручивания крепежного средства составляет в среднем 75% - 80% от момента затяжки, в зависимости от состояния контактной поверхности.

Закручивайте с относительно небольшим моментом затяжки, а для окончательного затягивания используйте ручной динамометрический ключ.

ВЫБОР РЕЖИМА РАБОТЫ

Перед изменением режима работы дождитесь полной остановки устройства. Чтобы изменить настройки, нажать кнопку . Нажать кнопку WLAN ; чтобы изменить предварительно заданные значения через приложение ONE-KEY на вашем смартфоне.

ONE-KEY™

Чтобы узнать больше о функциональных возможностях ONE-KEY для этого инструмента, ознакомьтесь с прилагаемым кратким руководством или посетите нашу страницу в интернете - www.milwaukeeeetool.com/one-key. Приложение ONE-KEY доступно для загрузки на ваш смартфон через App Store или Google Play.

Ели устройството повредено из-за въздействия електростатического разряда, светодиодният индикатор скорости гаснет, и скоростта повече не може да се регулира. В този случай извадете сменния акумулатор и ключовият елемент нахрана и снова вставьте (см. стр. 6 и стр. 15). Помехи, възбудени въздействием електростатического разряда, также приводят к прерыванию связи Bluetooth. В этом случае соединение Bluetooth должно быть повторно установлено вручную.

Индикация ONE-KEY™

Горит синим	Радиосвязь активна и может быть настроена с помощью приложения ONE-KEY™ App
Мигает синим	Настроено соединения инструмента с приложением ONE-KEY™ App.
Мигает красным	Инструмент заблокирован в целях безопасности, пользователь может разблокировать его через приложение ONE-KEY™ App.

АКУМУЛЯТОР

Перед использованием акумулатора, которым не пользовались некоторое время, его необходимо зарядить.

Температура свыше 50°С снижает работоспособность акумулаторов. Избегайте продолжительного нагрева или прямого солнечного света (риск перегрева).

Контакты зарядного устройства и акумулаторов должны содержаться в чистоте.

Для обеспечения оптимального срока службы акумулатор необходимо полностью заряжать после использования прибора.

Для достижения максимально возможного срока службы акумулаторы после зарядки следует вынимать из зарядного устройства.

При хранении акумулатора более 30 дней: Храните акумулатор при 27°С в сухом месте. Храните акумулатор с зарядом примерно 30% - 50%. Каждые 6 месяцев акумулатор следует заряжать.

ЗАЩИТА АКУМУЛЯТОРА ОТ ПЕРЕГРУЗКИ

При перегрузке акумулатора из-за очень высокого расхода электроэнергии, напр., предельно высоких крутящих моментов, заклинивания сверла, внезапной остановки или короткого замыкания, электроинструмент гудит 2 секунды и автоматически отключается.

Для повторного включения отпустить кнопку выключателя и затем снова включить.

При предельно высоких нагрузках акумулатор может сильно нагреться. В этом случае акумулатор отключится.

Литий-ионные акумулаторы в соответствии с предписаниями закона транспортируются как опасные грузы.

Транспортировка этих акумулаторов должна осуществляться с соблюдением местных, национальных и международных предписаний и положений.

- Эти акумулаторы могут перевозиться по улице потребителем без дальнейших обязательств.
- При коммерческой транспортировке литий-ионных акумулаторов экспедиторскими компаниями действуют положения, касающиеся транспортировки опасных грузов. Подготовка к отправке и транспортировка должны производиться исключительно специально обученными лицами. Весь процесс должен находиться под контролем специалиста.

При транспортировке акумулаторов необходимо соблюдать следующие пункты:

- Убедитесь, что контакты защищены и изолированы во избежание короткого замыкания.
- Следите за тем, чтобы акумулаторный блок не соскользнул внутри упаковки.
- Транспортировка поврежденных или протекающих акумулаторов запрещена.

За дополнительными указаниями обратитесь к своему экспедитору.

ОБСЛУЖИВАНИЕ

Указания по обслуживанию доступны в приложении ONE-KEY.

Пользуйтесь аксессуарами и запасными частями Milwaukee. В случае возникновения необходимости в замене, которая не была описана,

обращайтесь в один из сервисных центров по обслуживанию электроинструментов Milwaukee (см. список сервисных организаций).

При необходимости, у сервисной службы или непосредственно у фирмы Techtronic Industries GmbH, Max-Eyth-Strasse 10, 71364, Винненден, Германия, можно запросить сборочный чертеж устройства, сообщив его тип и шестизначный номер, указанный на фирменной табличке.

СИМВОЛЫ

	ВНИМАНИЕ! ПРЕДУПРЕЖДЕНИЕ! ОПАСНОСТИ!
	Выньте акумулатор из машины перед проведением с ней каких-либо манипуляций.
	Пожалуйста, внимательно прочтите инструкцию по использованию перед началом любых операций с инструментом.
	Надевать защитные перчатки!
	Не глотать миниатюрный элемент питания!
	Не выбрасывайте отработавшие батареи, электрическое и электронное оборудование вместе с несортированными бытовыми отходами. Отработавшие батареи, а также электрическое и электронное оборудование должны быть утилизированы отдельно. Отработавшие батареи, акумулаторы и источники света необходимо предварительно извлечь из оборудования. За дополнительной информацией по утилизации и сбору обратитесь в местные муниципальные органы или в розничный магазин. Нормативные требования в некоторых регионах могут обязывать различные магазины бесплатно утилизировать отработавшее электрическое и электронное оборудование, а также отработавшие батареи. Повторное использование и переработка отработавших батарей, а также старого электронного и электрического оборудования позволяет снизить потребность в сырьевых ресурсах. Отработавшие батареи содержат среди прочего литий, а электронное и электрическое оборудование — ценные перерабатываемые материалы. Однако при ненадлежащей утилизации данные компоненты могут нанести вред окружающей среде и здоровью человека. Удалите конфиденциальную информацию с оборудования при ее наличии.
	Число оборотов без нагрузки
	Напряжение
	Постоянный ток
	Европейский знак соответствия
	Британский знак соответствия
	Украинский знак соответствия
	Евразийский знак соответствия

ТЕХНИЧЕСКИ ДАННИ	АКУМУЛЯТОРЕН ИМПУЛСЕН ВИНТОВЕРТА	M18 ONEFHWP12	M18 ONEFHWF12	M18 ONEFHWF34
Производствен номер	4671 85 04.....	4671 95 04.....	4672 05 04.....
	Обороты на празен ход000001-999999000001-999999000001-999999
	Брой удари0-950 min ⁻¹0-550 min ⁻¹0-800 min ⁻¹
	Обороты на празен ход0-1150 min ⁻¹0-950 min ⁻¹0-850 min ⁻¹
	Обороты на празен ход0-1500 min ⁻¹0-1400 min ⁻¹0-1300 min ⁻¹
	Брой удари0-2100 min ⁻¹0-1750 min ⁻¹0-1850 min ⁻¹
	Обороты на празен ход0-1800 min ⁻¹0-1750 min ⁻¹0-1800 min ⁻¹
	Брой удари0-2400 min ⁻¹0-2100 min ⁻¹0-2400 min ⁻¹
	Обороты на празен ход0-1800 min ⁻¹0-1750 min ⁻¹0-1800 min ⁻¹
	Брой удари0-2400 min ⁻¹0-2100 min ⁻¹0-2400 min ⁻¹
Въртящ момент max.	1017 Nm	1356 Nm	1627 Nm
Максимален размер на болта/на гайката	M 24	M33	M33
Гнездо за закрепване на инструменти	1/2" (13 mm)	1/2" (13 mm)	3/4" (19 mm)
Напрежение на акумулатора	18 V	18 V	18 V
Тегло съгласно процедурата EPTA 01/2014 (4,0 Ah / 5,0 Ah)	3,2 kg	3,3 kg	3,5 kg
Тегло съгласно процедурата EPTA 01/2014 (9,0 Ah)	3,6 kg	3,7 kg	3,9 kg
Честотен обхват (честотни обхвати) на Bluetooth	2402-2480 MHz	2402-2480 MHz	2402-2480 MHz
Високочестотна мощност	1,8 dBm	1,8 dBm	1,8 dBm
Версия на Bluetooth	4.0 BT signal mode	4.0 BT signal mode	4.0 BT signal mode
Препоръчителна околна температура при работа	-18 +50 °C	-18 +50 °C	-18 +50 °C
Препоръчителни видове акумулаторни батерии	M18B2, M18B4, M18B5, M18B6, M18B9		
Препоръчителни зарядни устройства	M12-18C, M12-18AC, M12-18FC, M1418C6		

Информация за шума/вибрации

Измерените стойности са получени съобразно EN 62841.

Оцененото с А ниво на шума на уреда е съответно:

Равнище на звуковото налягане (Несигурност K=3dB(A))	94,7 dB (A)	94,9 dB (A)	98,5 dB (A)
Равнище на мощността на звука (Несигурност K=3dB(A))	105,7 dB (A)	105,9 dB (A)	109,5 dB (A)

Да се носи предпазно средство за слуха!

Общите стойности на вибрациите (векторна сума на три посоки) са определени в съответствие с EN 62841.

Стойност на емисии на вибрациите а:

Затягане на болтове/гайки с максимален размер	18,4 m/s ²	16,7 m/s ²	15,9 m/s ²
Несигурност K=	1,5 m/s ²	1,5 m/s ²	1,5 m/s ²

ВНИМАНИЕ!

Посочените в настоящия информационен лист нива на вибрации и шумови емисии са измерени в съответствие със стандартизирано изпитване, предоставено в EN 62841, и могат да се използват за сравняване на един инструмент с друг. Те може също така да се използват и за предварителна оценка на излагането на вредни въздействия.

Декларираните нива на вибрации и шумови емисии се отнасят за основните приложения на инструмента. Ако обаче инструментът се използва за други приложения, с други приспособления или не се поддържа добре, нивата на вибрации и шумови емисии могат да са различни. Това може значително да повиши нивото на излагане на вредни въздействия за общата продължителност на работата.

При оценка на нивото на излагане на въздействието на вибрации и шум следва също така да се вземе предвид времето, през което инструментът е изключен или през което е включен, но не се използва. Това може значително да понижи нивото на излагане на вредни въздействия за общата продължителност на работата.

Определете допълнителни мерки за безопасност за защита на оператора от въздействието на вибрациите и/или шума, като например поддръжка на инструмента и приспособленията, поддържането на топлината на ръцете и организацията на работата.

▲ ВНИМАНИЕ! Прочетете всички указания за безопасност, инструкции, илюстрации и спецификации за този електроинструмент. Пропуските при славане на приведените по-долу указания могат да доведат до токов удар, пожар и/или тежки травми.

Запазете тези инструкции и указания за безопасност за бъдещи справки.

▲ УКАЗАНИЯ ЗА БЕЗОПАСНОСТ ЗА СВРЕДЛА ЗА УДАРНО ПРОБИВАНЕ:

Носете средство за защита на слуха. Въздействието на шума може да предизвика загуба на слуха.

Когато извършвате работи, при които болтът може да докосне скрити електрически кабели, дръжте уреда за изолираните ръкохватки. Контактът на болта с токопроводим проводник може да постави метални част на уреда под напрежение и може да Ви хване ток.

▲ ДОПЪЛНИТЕЛНИ УКАЗАНИЯ ЗА РАБОТА И БЕЗОПАСНОСТ

Носете лична предпазна екипировка. Винаги носете предпазни очила. Носеното на съответната предпазна екипировка като прахозащитна маска, неплъзгащи се обувки, предпазен шлем или защита за слуха намалява опасността от нараняване.

Прахът, който се образува при работа, често е вреден за здравето и не бива да попада в тялото. Да се носи подходяща прахозащитна маска.

Не е разрешена обработката на материали, които представляват опасност за здравето (напр. азбест).

Ако използваният инструмент блокира, изключете веднага уреда! Не включвайте уреда отново, докато използваният инструмент е блокиран; това би могло да доведе до откат с висока реактивна сила. Открийте и отстранете причината за блокирането на използвания инструмент и майки в предвид инструкциите за безопасност.

Възможните причини за това могат да бъдат:

- Заклинване в обработваната част
- Пробиване на материала
- Пренатоварване на електрическия инструмент

Не бъркайте в машината, докато тя работи.

Приставката е остра и може да се нагорещи по време на работа.

ПРЕДУПРЕЖДЕНИЕ! Опасност от порязване и изгаряне

– при боравене с приставките

– при оставяне на уреда.

При боравенето с приставките носете предпазни ръкавици.

Стружки или отчупени парчета да не се отстраняват, докато машина работи.

При работа в стени, тавани или подове внимавайте за кабели, газопроводи и водопроводи.

Закрепете обработваната част с устройство за захващане. Незакрепени части за обработка могат да причинят сериозни наранявания и материални щети.

Преди започване на каквито е да е работи по машината извадете акумулатора.

Не изхвърляйте изхабените акумулатори в огъня или в други битовите отпадъци. Milwaukee предлага екологосъобразно събиране на старите акумулатори; моля попитайте Вашия специализиран търговец.

Не съхранявайте акумулаторите заедно с метални предмети (опасност от късо съединение).

Акумулатори от системата M18 да се зареждат само със зарядни устройства от системата M18 laden. Да не се зареждат акумулатори от други системи.

Не отваряйте акумулатори и зарядни устройства и ги съхранявайте само в сухи помещения. Газете ги от влага.

При екстремно натоварване или екстремна температура от повредени акумулатори може да изтече батериинна течност. При допир с такава течност веднага измийте с вода и сапун. При контакт с очите веднага изплаквайте старателно най-малко 10 минути и незабавно потърсете лекар.

▲ ПРЕДУПРЕЖДЕНИЕ! Устройството съдържа литиева плоска батерия. Новата или използвана батерия може да причини тежки вътрешни изгаряния и да доведе до смърт в рамките на по-малко от 2 часа, ако бъде погълната или попадне в тялото. Винаги обезопасявайте капака на отделението за батерията. Ако той не се затваря добре, изключете устройството, свалете батерията и я дръжте далеч от деца. Ако смятате, че батериите са били погълнати или са попаднали в тялото, незабавно потърсете лекарска помощ.

Предупреждение! За да избегнете опасността от пожар, предизвикана от късо съединение, както и нараняванията и повредите на продукта, не потапяйте инструмента, сменяемата акумулаторна батерия или зарядното устройство в течности и се погрижете в уредите и акумулаторните батерии да не попадат течности. Течностите, предизвикващи корозия или провеждащи електричество, като солена вода, определени химикали, изобелващи вещества или продукти, съдържащи изобелващи вещества, могат да предизвикат късо съединение.

ИЗПОЛЗВАНЕ ПО ПРЕДНАЗНАЧЕНИЕ

Акумулаторният ударен гайковерт може да се използва универсално за завиване и отвиване на болтове и гайки, без да зависи от връзка с електрическата мрежа.

Този уред може да се използва по предназначение само както е посочено.

ДЕКЛАРАЦИЯ ЗА СЪОТВЕТСТВИЕ НА ЕО

В качеството си на производител декларираме на собствена отговорност, че продуктът, описан в „Технически данни“, отговаря на всички съответстващи разпоредби на Директиви 2011/65/EC (RoHS), 2014/53/EC, 2006/42/EC и на следните хармонизирани нормативни документи:

EN 62841-1:2015
EN 62841-2-2:2014
EN IEC 55014-1:2021
EN IEC 55014-2:2021
EN 62479:2010
EN 301 489-1 V2.2.3
EN 301 489-17 V3.1.1
EN 300 328V2.2.2
EN IEC 63000:2018

Winnenden, 2022-11-01

Alexander Krug
Managing Director



Упълномощен за съставяне на техническата документация

Technonic Industries GmbH
Max-Eyth-Straße 10
71364 Winnenden
Germany

ОБСЛУЖВАНЕ

Указание: Препоръчително е след закрепване затегателният въртящ момент да бъде проверен с динамометричен ключ.

Затегателният въртящ момент се влияе от множество фактори, сред които и изброените.

- Заряд на батерията - Когато батерията е разредена, напрежението спада и затегателният въртящ момент се ограничава.
- Обороти - Използването на инструмента при ниска скорост води до по-малък затегателен въртящ момент.
- Позиция на закрепване - Начинът, по който държите инструмента или крепежния елемент, влияе на затегателния въртящ момент.
- Въртяща / неподвижна приставка - Използването на въртяща или неподвижна приставка с неправилен размер, или използването на принадлежности, неиздържащи на удар, намалява затегателния въртящ момент.
- Използване на принадлежности и удължения - В зависимост от принадлежностите или удължения, затегателният въртящ момент на ударния винтоверт може да намалее.
- Винт/гайка - Затегателният въртящ момент може да варира в зависимост от дължината и класът на здравина на винта/гайката.
- Състояние на крепежните елементи - Замърсените, корозиралите, сухи или смазани крепежни елементи могат да повлияят на затегателния въртящ момент.
- Завинтованите части - Здравината на завинтованите части и всеки конструктивен детайл между тях (сух или смазан, мек или твърд, шайба, уплътнение или подложна шайба) може да повлияе на затегателния въртящ момент.

ТЕХНИКИ НА ЗАВИНТВАНЕ

Колкото по-дълго един болт, винт или гайка се натоварват с ударния винтоверт, толкова по-здравео се затягат.

За да избегнете повреди по крепежните средства или детайлите, избягвайте прекалено дългото ударно въздействие.

Бъдете особено внимателни, когато работите с дребни крепежни средства, тъй като са Ви необходими по-малко удари, за да постигнете оптимален затегателен въртящ момент.

Упражнявайте се различни крепежни елементи и си отбелязвайте времето, което Ви е необходимо за достигане на желания затегателен въртящ момент.

Проверявайте затегателния въртящ момент с ръчен динамометричен ключ.

Ако затегателният въртящ момент е прекалено висок, намалете времетраенето на ударното въздействие.

Ако затегателният въртящ момент не е достатъчен, повишете времетраенето на ударното въздействие.

Маслата, замърсяванията, ръждата или други замърсители по резбара или под главата на крепежното средство влияят на стойността на затегателния въртящ момент.

Въртящият момент, необходим за освобождаване на крепежно средство, е средно 75% до 80% от затегателния въртящ момент, в зависимост от състоянието на контактните повърхности.

Извършвайте леките работи по завинтване със сравнително малък затегателен въртящ момент и използвайте ръчен динамометричен ключ за окончателното затягане.

ИЗБОР НА РЕЖИМ НА РАБОТА

Изчакайте уредът да дойде в пълен покой, преди да превключите режима на работа. За да промените настройките, натиснете бутон . Натиснете Wi-Fi бутон за да промените настройките по подразбиране чрез приложението ONE-KEY на вашия смартфон.

ONE-KEY™

За повече информация относно функцията ONE-KEY на този инструмент прочетете приложението ръководство за бърз старт или ни посетете в интернет на адрес www.milwaukeekeetool.com/one-key. За да изтеглите ONE-KEY приложението на Вашия смартфон, посетете app store или google play.

Ако работата на уреда се нарушава от електростатични разряди, светодиодният индикатор на скоростта изгасва и скоростта вече не може да бъде регулирана. В такъв случай свалете сменяемата акумулаторна батерия и галваничния елемент, и ги поставете отново (виж страница 6 и страница 15). Смущенията, причинени от електростатични разряди, водят също и до

прекъсване на Bluetooth комуникацията. В такъв случай Bluetooth връзката трябва да се възстанови ръчно.

Индикация ONE-KEY™

Синя светлина	Безжичната връзка е активна и може да се настрои чрез приложението ONE-KEY™.
Синьо премигване	Инструментът комуникира с приложението ONE-KEY™.
Червено премигване	Инструментът е блокиран по съображения за безопасност и може да се деблокира от оператора чрез приложението ONE-KEY™.

АКУМУЛАТОРИ

Акумулатори, които не са ползвани по-дълго време, преди употреба да се дозарядат.

Температура над 50°C намалява мощността на акумулатора. Да се избягва по-продължително нагряване на слънце или от отопление.

Поддържайте чисти присъединителните контакти на зарядното устройство и на акумулатора.

За оптимална продължителност на живот след употреба батериите трябва да се заредят напълно.

За възможно по-дълга продължителност на живот батериите трябва да се изваждат от уреда след зареждане.

При съхранение на батериите за повече от 30 дни: съхранявайте батерията при приби. 27°C и на сухо място. Съхранявайте батерията при 30 до 50 % от заряда. Зареждайте батерията на всеки 6 месеца.

ЗАЩИТА ОТ ПРЕТОВАРВАНЕ НА БАТЕРИЯТА

При претоварване на акумулатора поради много висока консумация на ток, напр. много високи въртящи моменти, закливане на свредлото, внезапен стоп или късо съединение, електрическият инструмент бръмчи 2 секунди и самостоятелно се изключва.

За ново включване освободете бутона за включване и отново го включете. При извънредни натоварвания акумулаторът може да се нагрее силно. В този случай акумулаторът изключва.

ПРЕВОЗ НА ЛИТИЕВО-ЙОННИ БАТЕРИИ

Литиево-йонните батерии са предмет на законите разпоредби за превоз на опасни товари.

Превозът на тези батерии трябва да се извършва в съответствие с местните, националните и международните разпоредби и регламенти.

• Потребителите могат да превозват тези батерии по пътя без допълнителни изисквания.

• Превозът на литиево-йонни батерии от транспортни компании е предмет на законите разпоредбите за превоз на опасни товари. Подготовката на превоза и самият превоз трябва да се извършват само от обучени лица. Целият процес трябва да е под професионален надзор.

Спазвайте следните изисквания при превоз на батерии:

• Уверете се, че контактните са защитени и изолирани, за да се избегне късо съединение.

• Уверете се, че няма опасност от разместване на батерията в опаковката.

• Не превозвайте повредени батерии или такива с течове. Обърнете се към Вашата транспортна компания за допълнителни инструкции.

ПОДДРЪЖКА

Инструкции за поддръжка ще намерите в приложението ONE-KEY.

Да се използват само аксесоари на Milwaukee и резервни части на Milwaukee. Елементи, чията подмяна не е описана, да се дадат за подмяна в сервис на Milwaukee (вижте брошурата "Гаранция и адреси на сервиси").

При необходимост можете да поискате схема на елементите на уреда при посочаване на обозначение на машината и шестцифрения номер на табелката за технически данни от Вашия сервис или директно на Technonic Industries GmbH, Max-Eyth-Straße 10, 71364 Winnenden, Германия.

СИМВОЛИ

	ВНИМАНИЕ! ПРЕДУПРЕЖДЕНИЕ! ОПАСНОСТ
	Преди започване на каквито е да е работи по машината извадете акумулатора.
	Преди пускане на уреда в действие моля прочетете внимателно инструкцията за използване.
	Да се носят предпазни ръкавици!
	Не погъщайте плоската батерия!
	Отпадъците от батерии, отпадъците от електрическо и електронно оборудване не трябва да се изхвърлят заедно с битовите отпадъци. Отпадъците от батерии, отпадъците от електрическо и електронно оборудване трябва да се събират и изхвърлят отделно. Преди изхвърлянето отстранявайте от уредите отпадъците от батерии, отпадъците от акумулатори и лампите. Информирайте се от местните служби или от своя специализиран търговец относно фирмите за рециклиране и местата за събиране на отпадъци. В зависимост от местните разпоредби, търговците на дребно могат са задължени да приемат безплатно върнатите обратно отпадъци от батерии и от електрическо и електронно оборудване. Дайте своя принос за намаляването на нуждите от суровини чрез повторната употреба и рециклирането на Вашите отпадъци от батерии и отпадъци от електрическо и електронно оборудване. Отпадъците от батерии (най-вече литиево-йонните батерии) и отпадъците от електрическо и електронно оборудване съдържащи ценни рециклиращи се материали, които могат да повлияят отрицателно на околната среда и на Вашето здраве, ако не се изхвърлят по екологосъобразен начин. Преди изхвърлянето като отпадък изтрийте от Вашия употребяван уред евентуално наличните в него лични данни.
	Обороти на празен ход
	Напрежение
	Постоянен ток
	Европейски знак за съответствие
	Британски знак за съответствие
	Украински знак за съответствие
	Евро-азиатски знак за съответствие

DATE TEHNICE	ȘURUBELNITĂ CU ACUMULATOR	M18 ONEFHWP12	M18 ONEFHIWF12	M18 ONEFHIWF34
Număr producție.....	4671 85 04... ...000001-999999	4671 95 04... ...000001-999999	4672 05 04... ...000001-999999	
 Viteza de mers în gol.....	0-950 min ⁻¹	0-550 min ⁻¹	0-800 min ⁻¹	
 Viteza de mers în gol.....	0-1500 min ⁻¹	0-1400 min ⁻¹	0-1300 min ⁻¹	
 Viteza de mers în gol.....	0-1800 min ⁻¹	0-1750 min ⁻¹	0-1800 min ⁻¹	
 Viteza de mers în gol.....	0-1800 min ⁻¹	0-1750 min ⁻¹	0-1800 min ⁻¹	
Cuplu max.....	1017 Nm	1356 Nm	1627 Nm	
Dimensiune maximă șuruburi / piulițe.....	M 24	M33	M33	
Locaș sculă.....	1/2" (13 mm)	1/2" (13 mm)	3/4" (19 mm)	
Tensiune acumulator.....	18 V	18 V	18 V	
Greutatea conform „EPTA procedure 01/2014” (4,0 Ah / 5,0 Ah).....	3,2 kg	3,3 kg	3,5 kg	
Greutatea conform „EPTA procedure 01/2014” (9,0 Ah).....	3,6 kg	3,7 kg	3,9 kg	
Bandă de frecvență Bluetooth (benzi de frecvență).....	2402-2480 MHz	2402-2480 MHz	2402-2480 MHz	
Putere la înaltă frecvență.....	1,8 dBm	1,8 dBm	1,8 dBm	
Versiune Bluetooth.....	4.0 BT signal mode	4.0 BT signal mode	4.0 BT signal mode	
Temperatura ambientată recomandată la efectuarea lucrărilor.....	-18 +50 °C	-18 +50 °C	-18 +50 °C	
Accumulatori recomandați.....	M18B2, M18B4, M18B5, M18B6, M18B9			
Încărcătoare recomandate.....	M12-18C, M12-18AC, M12-18FC, M1418C6			

Informație privind zgomotul/vibrațiile

Valori măsurate determinate conform EN 62841.			
Nivelul de zgomot evaluat cu A al aparatului este tipic de:			
Nivelul presiunii sonore (Nesigurantă K=3dB(A)).....	94,7 dB (A)	94,9 dB (A)	98,5 dB (A)
Nivelul sunetului (Nesigurantă K=3dB(A)).....	105,7 dB (A)	105,9 dB (A)	109,5 dB (A)

Purtați căști de protecție

Valorile totale de oscilație (suma vectorială pe trei direcții) determinate conform normei EN 62841.

Valoarea emisiei de oscilații a:			
Strângerea șuruburilor și piulițelor de mărime maximă.....	18,4 m/s ²	16,7 m/s ²	15,9 m/s ²
Nesigurantă K=.....	1,5 m/s ²	1,5 m/s ²	1,5 m/s ²

AVERTISMENT!

Nivelul vibrației și emisiei de zgomot indicat în această fișă informativă a fost măsurat în conformitate cu o metodă standard de testare specificată în EN 62841 și se poate utiliza pentru a compara dispozitivele între ele. Acesta se poate utiliza și într-o evaluare preliminară a expunerii.

Nivelul declarat al vibrației și emisiei sonore reprezintă principalele aplicații ale dispozitivului. Cu toate acestea, dacă dispozitivul este utilizat pentru aplicații diferite, cu accesorii diferite sau întreținute necorespunzător, emisia de vibrații și zgomote poate diferi. Acest lucru poate crește semnificativ nivelul expunerii pe întreaga perioadă de lucru.

O estimare a nivelului de expunere la vibrații și zgomot ar trebui să țină cont și de momentele în care dispozitivul este oprit sau când funcționează, dar nu realizează de fapt nicio lucrare. Acest lucru poate reduce semnificativ nivelul expunerii pe întreaga perioadă de lucru.

Identificați măsuri de siguranță suplimentare pentru a proteja operatorul de efectele vibrațiilor și/sau zgomotului, cum ar fi: întreținerea dispozitivului și a accesoriilor, menținerea caldă a mâinilor, organizarea modelelor de lucru.

AVERTISMENT A se citi toate avertismentele, instrucțiunile, ilustrațiile și specificațiile privind siguranța furnizate cu această unealtă electrică. Nerespectarea tuturor instrucțiunilor listate mai jos poate cauza șocuri electrice, incendii și/sau vătămări corporale grave. **Păstrați toate indicațiile de avertizare și instrucțiunile în vederea utilizărilor viitoare.**

INSTRUCȚIUNI DE SIGURANȚĂ PENTRU MAȘINILE DE ÎNSURUBAT:

Purtați aparatoare de urechi. Expunerea la zgomot poate produce pierderea auzului.

Țineți aparatul de mânerle izolate atunci când executați lucrări la care șurubul ar putea atinge cabluri de curent ascunse. Contactul șurubului cu un conductor prin care circula curentul electric poate pune sub tensiune componente metalice ale aparatului, provocând electrocutare.

INSTRUCȚIUNI SUPPLEMENTARE DE SIGURANȚĂ ȘI DE LUCRU

Purtați echipament individual de protecție. Purtați întotdeauna ochelari de protecție. Purtarea echipamentului de protecție adecvat, cum este, de exemplu, mască de protecție antipraf, încălțăminte antiderapantă, cască de protecție sau căști antifonice, reduce riscul de accidentare.

Praful care apare când se lucrează cu această sculă poate fi dăunător sănătății și prin urmare nu trebuie să atingă corpul. Purtați o mască de protecție corespunzătoare împotriva prafului.

Nu se admite prelucrarea unui material care poate pune în pericol sănătatea operatorului (de exemplu azbestul).

La blocarea sculei demontabile vă rugăm să deconectați imediat aparatul! Nu conectați aparatul atâta timp cât scula demontabilă este blocată; dacă o faceți, s-ar putea să se producă un recul cu un cuplu mare de reacție. Găsiți și remediați cauza de blocare a sculei demontabile respectând indicațiile pentru siguranță.

Cauzele posibile pot fi:

- Agățarea în piesa de prelucrat
- Strângerea materialului de prelucrat
- Suprasolicitarea sculei electrice

Nu atingeți părțile mașinii aflate în rotație.

Unealta inserată este foarte ascuțită și se poate încălzi în timpul utilizării.

AVERTIZARE! Pericol de tăieturi și arsuri
- la manevrarea uneltelor inserate
- la poziționarea dispozitivului.

La manevrarea uneltelor inserate purtați mănuși de protecție.

Rumegușul și spanul nu trebuie îndepărtate în timpul funcționării mașinii.

Când se lucrează pe pereți, tavan sau dușumea, aveți grijă să evitați cablurile electrice și țevile de gaz sau de apă.

Asigurați piesa de prelucrat cu un dispozitiv de fixare. Piese neasigurate pot provoca accidentări grave și stricăciuni.

Îndepărtați acumulatorul înainte de începerea lucrului pe mașina

Nu aruncați acumulatorii uzați la containerul de reziduri menajere și nu îi ardeți. Milwaukee Distributors se oferă să recupereze acumulatorii vechi pentru protecția mediului înconjurător.

Nu depozitați acumulatorul împreună cu obiecte metalice (risic de scurtcircuit)

Folosiți numai încărcătoare System M18 pentru încărcarea acumulatorilor System M18. Nu folosiți acumulatori din alte sisteme.

Nu deschideți niciodată acumulatorii și încărcătoarele și pastrați-le numai în încăperi uscate. Pastrați-le întotdeauna uscate.

Acidul se poate scurge din acumulatorii deteriorați la încălziri sau temperaturi extreme. În caz de contact cu acidul din acumulator, spălați imediat cu apă și săpun. În caz de contact cu ochii, clătiți cu atenție timp de cel puțin 10 minute și apelați imediat la îngrijire medicală.

AVERTISMENT Acest dispozitiv conține o baterie tip pasture cu ioni de litiu. O baterie nouă sau consumată poate cauza arsuri interne severe și poate conduce la deces în mai puțin de două ore, în cazul în care este ingerată sau pătrunde în organism. Întotdeauna asigurați capacul bateriei. Dacă nu se închide în siguranță, întrerupeți utilizarea dispozitivului, îndepărtați bateriile și nu le lăsați la îndemâna copiilor. În cazul în care aveți suspiciunea că bateria a fost înghițită sau a pătruns în corp, consultați imediat un medic.

AVERTIZARE! Pentru a reduce pericolul unui incendiu și evitarea rănilor sau deteriorarea produsului în urma unui scurtcircuit nu imersați scula, acumulatorul de schimb sau încărcătorul în lichide și asigurați-vă să nu pătrundă lichide în aparate și acumulatori. Lichidele corosive sau cu conductibilitate, precum apa sărată, anumite substanțe chimice și înalbitori sau produse ce conțin înalbitori, pot provoca un scurtcircuit.

CONDIȚII DE UTILIZARE SPECIFICATE

Cheia de impact fără cordon poate fi folosită pentru a strânge și a slăbi piulițe și bolțuri oriunde nu este posibilă conectarea la rețea.

Nu utilizați acest produs în alt mod decât cel stabilit pentru utilizare normală

DECLARAȚIE DE CONFORMITATE CE

În calitate de producător declarăm pe propria răspundere că produsul descris la "Date tehnice" este în concordanță cu toate prevederile legale relevante ale Directivelor 2011/65/UE (RoHS), 2014/53/UE, 2006/42/CE, precum și ale următoarelor norme armonizate:

EN 62841-1:2015
EN 62841-2-2:2014
EN IEC 55014-1:2021
EN IEC 55014-2:2021
EN 62479:2010
EN 301 489-1 V2.2.3
EN 301 489-17 V3.1.1
EN 300 328V2.2.2
EN IEC 63000:2018

Winnenden, 2022-11-01



Alexander Krug
Managing Director



Împuternicit să elaboreze documentația tehnică.

Techtronic Industries GmbH
Max-Eyth-Straße 10

71364 Winnenden
Germany

UTILIZARE

Indicație: Se recomandă ca după fixare să verificați întotdeauna cuplul de strângere cu o cheie dinamometrică.

Cuplul de strângere este influențat de o multitudine de factori, inclusiv următorii.

- Starea de încărcare a bateriei - Când bateria este descărcată, tensiunea scade și cuplul de strângere se reduce.
- Turație - Utilizarea sculei cu viteză mică duce la un cuplu de strângere mai mic.
- Poziție de fixare - Modul în care țineți scula sau elementul de fixare influențează cuplul de strângere.
- Inserția pentru răscuire/fixare - Utilizarea unei inserții pentru răscuire/fixare care nu are dimensiunea corectă sau utilizarea de accesorii care nu sunt suficiente de rezistențe la șoc reduce cuplul de strângere.
- Utilizarea de accesorii și prelungiri - În funcție de accesorii sau prelungiri, cuplul de strângere al cheii cu percuție poate fi redus.
- Șurub/piuliță - Cuplul de strângere poate varia în funcție de diametru, lungimea și clasa de rezistență a șurubului/piuliței.
- Starea elementelor de fixare - Elementele de fixare murdare, corodate, uscate sau lubrificate pot influența cuplul de strângere.
- Piesele care trebuie înșurubate - Rezistența pieselor de înșurubat și orice componentă dintre acestea (uscată sau lubrifiată, moale sau tare, șaibă, garnitură sau șaibă-suport) poate influența cuplul de strângere.

TEHNICI DE ÎNSURUBARE

Cu cât un bulon, un șurub sau o piuliță este solicitat/-ă mai mult cu cheia cu percuție, cu atât mai bine se strânge.

Pentru a evita deteriorările elementelor de fixare sau ale pieselor, evitați duratele de percutare foarte lungi.

Procedați cu deosebită atenție când acționați asupra unor elemente de fixare mai mici, pentru că acestea au nevoie de mai puține lovituri, pentru a obține un cuplu de strângere optim.

Exersați cu diverse elemente de fixare și rețineți durata necesară pentru a obține cuplul de strângere dorit.

Verificați cuplul de strângere cu o cheie dinamometrică manuală.

Dacă cuplul de strângere este prea mare, reduceți durata de percutare.

Dacă cuplul de strângere nu este suficient, măriți durata de percutare.

Uleiul, murdăria, rugina sau alte impurități de pe filete sau de sub capul elementului de fixare influențează valoarea cuplului de strângere.

Cuplu necesar pentru desfacerea unui element de fixare este în medie de 75% până la 80% din cuplul de strângere, în funcție de starea suprafețelor de contact.

Efectuați lucrările de înșurubare ușoare cu un cuplu de strângere relativ mic și utilizați pentru strângerea definitivă o cheie dinamometrică manuală.

SELECTAREA MODULUI DE FUNCȚIONARE

Înainte de modificarea modului de funcționare trebuie să așteptați până ce mașina s-a oprit complet. Pentru a modifica reglajele apăsați tasta  Apăsați tasta **WLAN**  pentru a modifica valorile presetate prin ONE-KEY App de pe smartphone-ul dvs.

ONE-KEY™

Pentru a afla mai multe despre funcționalitatea ONE-KEY a acestui instrument citiți instrucțiunile de start rapid incluse sau vizitați-ne pe internet la www.milwaukeekeetool.com/one-key. Aplicația ONE-KEY App puteați să o descărcați pe smartphone-ul dvs. prin App Store sau Google Play.

Dacă aparatul se defectează din cauza descărcărilor electrostatice, indicatorul de viteză cu LED se stinge și viteza nu se mai poate regla. În acest caz scoateți acumulatorul reîncărcabil și celula tip buton și introduceți-le la loc (vezi pagina 6 și pagina 15). Defecțiunile cauzate de descărcările electrostatice provoacă inclusiv întreruperea comunicării prin Bluetooth. În acest caz conexiunea Bluetooth trebuie restabilită manual.

Indicator ONE-KEY™

Albastru continuu	Modul wireless este activ și gata de configurare cu aplicația ONE-KEY™.
Albastru intermitent	Unealta comunică activ cu aplicația ONE-KEY™.
Roșu intermitent	Unealta este în modul blocare de siguranță și poate fi deblocată de către utilizator prin aplicația ONE-KEY™.

ACUMULATORI

Акумуляторii care nu au fost utilizați о perioadă de timp trebuie реінкарча̀ни înainte de utilizare

Temperatura mai mare de 50°C (122°F) reduce performanța акумуляторулу. Evitați expunerea prelungită la căldură sau radiație solară (risс de supraîncălzire)

Contactele încărcătoarelor și акумуляторилor trebuie păstrate curate.

În scopul optimizării duratei de funcționare, bateriile trebuie реінкарча̀те complet după utilizare.

Pentru o durată de viață cât mai lungă, акумулятории ar trebui scoși din încărcător după încărcare.

La depozitarea акумуляторилor mai mult de 30 zile:

Акумулятории се depozitează la cca. 27°C și la loc uscat.

Акумулятории се depozitează la nivelul de încărcare de cca. 30%-50%. Акумулятории се încărcă din nou la fiecare 6 luni.

PROTECȚIE SUPRAÎNCĂRCARE ACUMULATOR

În caz de supraîncărcare а акумуляторулу prin consum foarte ridicat de curent, de ex. cupluri mecanice extrem de mari, înțepenirea burghiului, întrerupere bruscă sau scurtcircuit, unealta electrică produce timp de 2 secunde un zgomot înfundat, după care се decuplează de la sine. În vederea recuplării, dați drumul butonului de comutare, iar apoi efectuați о nouă cuplare.

În condiții de încărcări extreme, акумуляторулу се poate încălzi peste măsură. În acest caz, акумуляторулу се decuplează.

TRANSPORTUL ACUMULATORILOR CU IONI DE LITIU

Акумулятории cu ioni de litiu cad sub incidența prescripțiilor legale pentru transportul de mărfuri periculoase.

Transportul acestor акумулятории trebuie să се efectueze cu respectarea prescripțiilor și reglementărilor pe plan local, național și internațional.

• Consumatorilor le este permis transportul rutier nerestricționat al acestui tip de акумулятории.

• Transportul comercial al акумуляторилor cu ioni de litiu prin intermediul firmelor de expediție și transport este supus reglementărilor transportului de mărfuri periculoase. Pregătirile pentru expediție și transport au voie să fie efectuate numai de către personal instruit corespunzător. Întregul proces trebuie asistat în mod competent.

Următoarele puncte trebuie avute în vedere la transportul акумуляторилor:

• Pentru а се evita scurtcircuite, asigurați-vă de faptul că sunt protejate și izolate contactele.

• Aveți grijă ca pachetul de акумулятории să nu poată aluneca în altă poziție în interiorul ambalajului său.

• Este interzis transportarea unor акумулятории deteriorați sau care pierd lichid.

Pentru indicații suplimentare adresați-vă firmei de expediție și transport cu care colaborați.

INTRȚINERЕ

Instrucțiuni de service găsiți în ONE-KEY App.

Utilizați numai accesorii și piese de schimb Milwaukee. Dacă unele din componente care nu au fost descrise trebuie înlocuite , vă rugăm contactați unul din agenții de service Milwaukee (vezi lista noastră pentru service / garanți

Dacă este necesar, puteți solicita de la centrul dvs. de service pentru clienți sau direct la Techtronic Industries GmbH, Max-Eyth-Straße 10, 71364 Winnenden, Germania un desen descompus al апаратului prin

indicarea tipului de апарат și а numărului cu șase cifre de pe tăblița indicatoare.

SIMBOLURI

	PERICOL! AVERTIZARE! ATENȚIE!
	Îndepărtați акумуляторулу înainte de începerea lucrului pe mașina
	Va rugăm citiți cu atenție instrucțiunile înainte de pornirea mașinii
	Purtați mănuși de protecție!
	Nu înghițiți bateria tip nasture!
	Deșeurile de baterii, deșeurile de echipamente electrice și electronice nu се elimină ca deșeuri municipale nesortate. Deșeurile de baterii și deșeurile de echipamente electrice și electronice trebuie colectate separat. Deșeurile de baterii, deșeurile de акумулятории și materialele de iluminat trebuie îndepărtate din echipament. Informați-vă de la autoritățile locale sau de la comercianții acreditați în legătură cu centrele de reciclare și de colectare. În conformitate cu reglementările locale retailerii pot fi obligați să colecteze grauitu bateriile uzate și deșeurile de echipamente electrice și electronice. Contribuția dumneavoastră la reutilizarea și reciclarea deșeurilor de baterii și а deșeurilor de echipamente electrice și electronice contribuie la reducerea cererii de materii prime.
	Viteza de mers în gol
	Tensiune
	Curent continuu
	Marcă de conformitate europeană
	Marcă de conformitate britanică
	Marcă de conformitate ucraineană
	Marcă de conformitate eurasiatică

ТЕХНИЧКИ ПОДАТОЦИ	УДАРЕН ШРАФЦИГЕР НА БАТЕРИИ	M18 ONEFHWP12	M18 ONEFHWF12	M18 ONEFHWF34
Произведен број.....	4671 85 04.....	4671 95 04.....	4672 05 04.....	000001-999999.....
	Брзина без оптоварување.....	0-950 min ⁻¹	0-550 min ⁻¹	0-800 min ⁻¹
	Број на удари.....	0-1150 min ⁻¹	0-950 min ⁻¹	0-850 min ⁻¹
	Брзина без оптоварување.....	0-1500 min ⁻¹	0-1400 min ⁻¹	0-1300 min ⁻¹
	Број на удари.....	0-2100 min ⁻¹	0-1750 min ⁻¹	0-1850 min ⁻¹
	Брзина без оптоварување.....	0-1800 min ⁻¹	0-1750 min ⁻¹	0-1800 min ⁻¹
	Број на удари.....	0-2400 min ⁻¹	0-2100 min ⁻¹	0-2400 min ⁻¹
	Брзина без оптоварување.....	0-1800 min ⁻¹	0-1750 min ⁻¹	0-1800 min ⁻¹
	Број на удари.....	0-2400 min ⁻¹	0-2100 min ⁻¹	0-2400 min ⁻¹
Спрега торк max.....	1017 Nm.....	1356 Nm.....	1627 Nm.....	
Максимална големина на навртките / големина на завртките.....	M 24.....	M33.....	M33.....	
Глава на алатот.....	1/2" (13 mm).....	1/2" (13 mm).....	3/4" (19 mm).....	
Волтажа на батеријата.....	18 V.....	18 V.....	18 V.....	
Тежина според ЕПТА-процедурата 01/2014 (4,0 Ah / 5,0 Ah).....	3,2 kg.....	3,3 kg.....	3,5 kg.....	
Тежина според ЕПТА-процедурата 01/2014 (9,0 Ah).....	3,6 kg.....	3,7 kg.....	3,9 kg.....	
Фреквентна лента (фреквентни ленти) за блугут.....	2402-2480 MHz.....	2402-2480 MHz.....	2402-2480 MHz.....	
високофреквентна моќност.....	1,8 dBm.....	1,8 dBm.....	1,8 dBm.....	
Верзија блугут.....	4.0 BT signal mode.....	4.0 BT signal mode.....	4.0 BT signal mode.....	
Препорачана температура на околната при работа.....	-18 +50 °C.....	-18 +50 °C.....	-18 +50 °C.....	
Препорачани типови на акумуляторски батерии.....	M18B2, M18B4, M18B5, M18B6, M18B9.....	M18B2, M18B4, M18B5, M18B6, M18B9.....	M18B2, M18B4, M18B5, M18B6, M18B9.....	
Препорачани полначи.....	M12-18C, M12-18AC, M12-18FC, M1418C6.....	M12-18C, M12-18AC, M12-18FC, M1418C6.....	M12-18C, M12-18AC, M12-18FC, M1418C6.....	

Информација за бучавата/вибрациите

Измерените вредности се одредени согласно стандардот EN 62841.

A-оценетото ниво на бучава на апаратот типично изнесува:

Ниво на звучен притисок. (Несигурност K=3dB(A)).....	94,7 dB (A).....	94,9 dB (A).....	98,5 dB (A).....
Ниво на јачина на звук. (Несигурност K=3dB(A)).....	105,7 dB (A).....	105,9 dB (A).....	109,5 dB (A).....

Носте штитник за уши.

Вкупни вибрациски вредности (векторски збир на трите насоки) пресметани согласно EN 62841.

Вибрациска емисиона вредност а:

Навлекуање на навртките и завртките со максимална големина.....	18,4 m/s ²	16,7 m/s ²	15,9 m/s ²
Несигурност K.....	1,5 m/s ²	1,5 m/s ²	1,5 m/s ²

ПРЕДУПРЕДУВАЊЕ!

Нивото на вибрации и емисија на бучава дадени во овој информативен лист се измерени во согласност со стандардизиран метод на тестирање даден во EN 62841 и може да се користат за споредување на еден електричен алат со друг. Тие исто така може да се користат при превична проценка на изложеност.

Наведено ниво на вибрации и емисија на бучава ја претставува главната примена на алатот. Сепак ако алатот се користи за поинакви примени, со поинаков прибор или лошо се одржува, вибрациите и емисијата на бучава може да се разликуваат. Тоа може значително да го зголеми нивото на изложеност преку целиот работен период.

Проценка на нивото на изложеност на вибрации и бучава треба исто така да се земе предвид кога е исклучен алатот или кога е вклучен, но не врши никаква работа. Тоа може значително да го намали нивото на изложеност преку целиот работен период.

Утврдете дополнителни безбедносни мерки за да се заштити операторот од ефектите на вибрациите и/или бучавата како на пр.: одржувајте го алатот и приборот, рацете нека ви бидат топли, организација на работните шемии.

▲ ПРЕДУПРЕДУВАЊЕ! Прочитајте ги сите безбедносни упатства, инструкции, илустрации и спецификации за овој електричен алат. Недоследно почитување на подолу наведените упатства може да предизвика електричен удар, пожар и/или сериозни повреди.
Чувајте ги сите предупредувања и упатства за употреба.

▲ БЕЗБЕДНОСИ НАПОМЕНИ ЗА ЗАШТРАФУВАЊЕ:

Носете штитник за уши. Изложеноста на бука може да предизвика губење на слухот.

При реализација на работи, при кои завртката може да погоди сокриени водови на струја, држете го апаратот на изолираните површини за држење. Контактот на навртката со вод под напон може да ги стави металните делови од апаратот под напон и да доведе до електричен удар.

▲ ОСТАНАТИ БЕЗБЕДНОСИ И РАБОТНИ УПАТСТВА

Носете лична заштитна опрема. Секогаш носете заштитни очила. Носењето соодветна заштитна опрема, како што се заштитна маска за прав, чевли што не се лизгаат, заштитен шлем или заштита за слух, го намалува ризикот од повреда.

Пршната која се создава при користење на овој алат може да биде штетна по здравјето. Не ја вдишувајте. Носете соодветна заштитна маска.

Не смеат да бидат обработувани материјали кои што можат да го загрозат здравјето (на пр. азбест).

Доколку употребуваното орудие се блокира, молиме веднаш да се исклучи апаратот! Не го вклучувајте апаратот повторно додека употребуваното орудие е блокирано; притоа би можело да дојде до повратен удар со висок момент на реакција. Испитајте и отстранете ја причината за блокирањето на употребеното орудие имајќи ги во предвид напомените за безбедност.

Можни причини би можеле да се:

- Закантување во парчето кое што се обработува
- Кршење поради продирање на материјалот кој што се обработува
- Преоптоварување на електричното орудие

Не фаќајте во машината кога работи.

Алатката има остри рабови и може да се зарее за време на работата.

ПРЕДУПРЕДУВАЊЕ! Опасност од исеченици и изгореници – при ракување со алатката – при сплустање на уредот.

Носете заштитни ракавици кога ракувате со алатката.

Прашната и струготините не смеат да се одстрануваат додека е машината работи.

Кога работите на ѕидови, таван или под внимавајте да ги избегнете електричните, гасните и водоводни инсталации.

Обезбедете го предметот кој што го обработувате со направа за напон. Необезбедени парчиња кои што се обработуваат можат да предизвикаат тешки повреди и оштетувања.

Издадете го батерискиот склоп пред отпочнување на каков и да е зафат врз машината.

Не ги оставајте искористените батерии во домашниот отпад и не горете ги. Дистрибутерите на АЕГ ги собираат старите батерии, со што ја штитат нашата околина.

Не ги чувајте батериите заедно со метални предмети (ризик од краток спој).

Користете исклучиво Систем M18 за полнење на батерии од M18 систем. Не користете батерии од друг систем.

Не ги отворајте насилно батериите и полначите, и чувајте ги само на суво место. Чувајте ги постојано суви.

Киселината од оштетените батериите може да истече при екстреман напон или температури. Доколку дојдете во контакт со исатата, измијте се веднаш со сапун и вода. Во случај на контакт со очите плакнете ги убаво најмалку 10 минути и задолжително одете на лекар.

▲ ПРЕДУПРЕДУВАЊЕ! Овој уред содржи литиумска ќелиска батерија. Новата или употребената батерија може да предизвика сериозни внатрешни изгореници и да доведе до смрт во што малку како два часа, ако се проглата или влегува во телото. Секогаш прицврстете го капакот на батеријата. Ако тоа не се затвора безбедно, престанете да го користите уредот, отстранете ги батериите и чувајте го подалеку од деца. Ако мислите дека батериите се проглотани или се влезени во телото, веднаш побарајте медицинска помош.

Предупредување! За да избегнете опасност од пожар, од наранувања или од оштетување на производот, коишто ги создава краток спој, не ја потопувајте во течност алатката, заменливата батерија или полначот и пазете во уредите и во батериите да не проникнуваат течности. Корозивни или електропроводливи течности, како солена вода, одредени хемикалии, избулвачки препарати или производи кои содржат избулвачки супстанции, можат да предизвикаат краток спој.

СПЕЦИФИЦИРАНИ УСЛОВИ НА УПОТРЕБА

Безжичниот моментен клуч моча да биде користен за затегање или одвртување на навртки и шрафови секаде каде не е достапно напојување.

Не го користете овој производ на било кој друг начин освен пропишаниот за нормална употреба.

ЕК-ДЕКЛАРАЦИЈА ЗА СООБРАЗНОСТ

Како производител, изјавуваме под целосна одговорност дека „Техничките податоци“ подолу го опишуваат производот со сите релевантни одредби од регулативите 2011/65/EU (RoHS), 2014/53/E3, 2006/42/E3 и се усогласени со следниве хармонизирани регулаторни документи:

EN 62841-1:2015
EN 62841-2:2014
EN IEC 55014-1:2021
EN IEC 55014-2:2021
EN 62479:2010
EN 301 489-1 V2.2.3
EN 301 489-17 V3.1.1
EN 300 328V2.2.2
EN IEC 63000:2018

Winnenden, 2022-11-01



Alexander Krug
Managing Director



Ополномоштен за составување на техничката документација.

Techtronic Industries GmbH
Max-Eyth-Straße 10
71364 Winnenden
Germany

УПОТРЕБА

Совет: Се препорачува секогаш по прицврстувањето да го проверите затезниот момент со динамометрички клуч.

Затезниот момент е под влијание на различни фактори, вклучувајќи ги и следните фактори.

- Состојба на полнење на батеријата - Кога батеријата е испразнета, напонот паѓа и затезниот момент се намалува.
- Брзини - Користењето на алатот при мала брзина доведува до помал затезен момент.
- Положба за прицврстување - Начинот на држење на алатот или сврзувачкиот елемент влијае на затезниот момент.
- Завиткан или вметнат приклучок - Користењето на завиткан или вметнат приклучок со погрешна големина или користењето на опрема што не е отпорна на удари го намалува затезниот момент.
- Користење на опрема и продолжни елементи - Во зависност од опремата или продолжниот елемент, може да се намали затезниот момент на ударната шрафилица.
- Завртка/навртка - Затезниот момент може да варира во зависност од дијаметарот, должината и класата на јачината на завртката/навртката.
- Состојба на сврзувачките елементи - Контаминирани, кородирани, суви или подмажкани сврзувачки елементи може да влијаат на затезниот момент.
- Деловите кои треба да се навртуваат - Јачината на деловите кои треба да се навртуваат и која било компонента меѓу нив (сува или подмажкана, мека или тврда, завртка, заптивка или подлошка) може да влијаат на затезниот момент.

ТЕХНОЛОГИИ ЗА ПРИЦВРСТУВАЊЕ

Колку подолго се навртува болтот, завртката или навртката со ударната шрафилица, толку поцврсто тие се затегнати.

За да избегнете оштетување на сврзувачките елементи или работните парчиња, избегнувајте прекумерно траење на навртувањето.

Бидете посебно внимателни кога работите на помали сврзувачки елементи, затоа што тие бараат помал број на удари за да се постигне оптимален затезен момент.

Вежбајте со различни сврзувачки елементи и запомнете го времето што ви е потребно за да го достигнете саканиот затезен момент.

Проверете го затезниот момент со рачни динамометрички клуч.

Ако затезниот момент е премногу висок, намалете го времето на удар.

Ако затезниот момент е недоволен, зголемете го времето на удар.

Маслото, нечистотијата, рѓата или другите загадувачи на навојот или под главата на сврзувачкиот елемент влијаат на затезниот момент.

Вртежниот момент што е потребен за олабавување на сврзувачкиот елемент е во просек од 75% до 80% од затезниот момент, зависно од состојбата на контактните површини.

Защрафете малку со релативно низок затезен момент и користете рачни динамометрички клуч за финално затегавање.

ИЗБОР НА НАЧИН НА РАБОТА

При промената на начинот на работа да се почне уредот комплетно да престане со работа. За да се променат подесувањата, да се притисне копчето . Да се притисне WLAN-копчето , за да се променат претходно зачуваваните вредности преку ONE-KEY апликацијата на Вашиот смартфон.

ONE-KEY™

За да дознаете повеќе за функционирањето на ONE-KEY на оваа алатка, Ве молиме прочитајте го упатството за брзо стартување или посетете на интернет на: www.milwaukeeool.com/one-key. Апликацијата ONE-KEY може да ја симнете на Вашиот смартфон преку App Store или Google Play.

Кога уредот е нарушен од електростатско празнење, тогаш LED индикаторот за промена на брзината се гасне и брзината не може повеќе да се регулира. Во тој случај издадете ја батеријата или копчестата батерија и повторно ставете ја (види страна 6 и страна 15).

Дефектите предизвикани како последица електростатски празнења водат кон прекин на bluetooth комуникацијата. Во тој случај, контактот со bluetooth мора повторно да биде воспоставен мануелно.

Индикатор ONE-KEY™

Сино постојано светло	Безжичниот режим е активен и подготвен за конфигурирање преку апликацијата ONE-KEY™.
Сино трепкачко светло	Алатката активно комуницира со апликацијата ONE-KEY™.
Црвено трепкачко светло	Алатката е заклучена поради безбедност и може да ја отклучи операторот преку апликацијата ONE-KEY™.

БАТЕРИИ

Батриите кои не биле користени подолго време треба да се наполнат пред употреба.

Температура повисока од 50oC (122oF) го намалуваат траењето на батериите. Избегнувајте подолго изложување на батериите на високи температури или сонце (ризик од прегревање).

Клемите на полначот и батериите мора да бидат чисти.

За оптимален работен век батериите мора да се наполнат целосно по употреба.

За можно подолг век на траење, апаратите после нивното полнење треба да бидат издадени од апаратот за полнење на батериите.

Во случај на складирање на батеријата подолго од 30 дена: Акумулаторот да се чува на температура од приближно 27°C и на суво место.

Акумулаторот да се складира на приближно 30%-50% од состојбата на наполнетост. Акумулаторот повторно да се наполни на секои 6 месеци.

ЗАШТИТА ОД ПРЕОПТЕРЕТУВАЊЕ НА БАТЕРИЈАТА

При преоптоварување на батеријата со многу висока потрошувачка на струја, на пример екстремно високи вртежни моменти, заглавување на дупчалката, ненадејно запирање или краток спој, електро-уредот бучи 2 секунди, а потоа самостојно се гаси.

За повторно вклучување ослободете го преиниувањот и вклучете повторно. Во случај на екстремни оптоварувања батеријата може да загрее многу. Во таков случај батеријата исклучува.

ТРАНСПОРТ НА ЛИТИУМ-ЈОНСКИ БАТЕРИИ

Литиум-јонските батерии подлежат на законските одредби за транспорт на опасни материји.

Транспортот на овие батерии мора да се врши согласно локалните, националните и меѓународните прописи и одредби.

- Потрошувачите на овие батерии може да вршат непречен патен транспорт на истите.

- Комерцијалниот транспорт на литиум-јонски батерии од страна на шпедитерски претпријатија подлежатни на одредбите за транспорт на опасни материји. Подготовките за шпедиција и транспорт треба да ги вршат исклучиво соодветно обучени лица. Целокупниот процес треба да биде стручно надгледуван.

При транспортот на батерии треба да се внимава на следното:

- Осигурајте се дека контактите се заштитени и изолирани, а сето тоа со цел да се избегнат кратки споеви.
- Внимавајте да не дојде до изместување на батериите во нивната амбалажа.
- Забранет е транспорт на оштетени или протечени литиум-јонски батерии. За понатамошни инструкции обратете се до Вашето шпедитерско претпријатие.

ОДРЖУВАЊЕ

Упатствата за одржување ќе ги најдете во апликацијата ONE-KEY.

Користете само Milwaukee додатоци и резервни делови. Доколку некои од компонентите кои не се опишани треба да бидат заменети, Ве молиме контактирајте ги сервисните агенти на Milwaukee (консултирајте ја листата на адреси).

При потреба може да се побара експлозионен цртеж на апаратот со наведување на машинскиот тип и шестоцифрениот број на табличката со учинокот или во Вашата корисничка служба или директно кај Techtronic Industries GmbH, Max-Eyth-Straße 10, 71364 Winnenden, Германија.

СИМБОЛИ

	ВНИМАНИЕ! ПРЕДУПРЕДУВАЊЕ! ОПАСНОСТ!
	Издадете го батерискиот склоп пред отпочнување на каков и да е зафат врз машината.
	Ве молиме пред да ја стартувате машината обрнете внимание на упатствата за употреба.
	Носете ракавици!
	Не проголтајте ја ќелиската батерија!
	Не отстранувајте ги отпадните батерии, отпадната електрична и електронска опрема како несоортиран комунален отпад. Отпадните батерии и отпадната електрична и електронска опрема мора да се собираат посебно. Отпадните батерии, отпадните акумулатори и отпадните извори на светлина треба да се отстранат од опремата. Проверете кај вашиот локален орган или продавач за совети за рециклирање и место за собирање. Во зависност од локалните регулативи, трговците на мало може да се обврзани бесплатно да ги преземаат искористените батерии, како и отпадната електрична и електронска опрема. Вашиот придонес за повторна употреба и рециклирање на отпадните батерии и отпадната електрична и електронска опрема помага да се намали побарувачката на суровини. Отпадните батерии, посебно оние што содржат литиум, и отпадната електрична и електронска опрема содржат вредни материјали за рециклирање, кои може негативно да влијаат на животната средина и на здравјето на луѓето доколку не се отстранат на еколошки компатибилен начин. Избришете ги личните податоци од отпадната опрема, доколку ги има.
n	Брзина без оптоварување
v	Волти
	Истосмерна струја
	Европска ознака за сообразност
	Британска ознака за сообразност
	Украинска ознака за сообразност
	Евроазиатска ознака за сообразност

ТЕХНІЧНІ ХАРАКТЕРИСТИКИ АКУМУЛЯТОРНИЙ УДАРНИЙ ГВИНТОКРУТ	M18 ONEFHWP12	M18 ONEFHWF12	M18 ONEFHWF34
Номер виробу	4671 85 04... ...000001-999999	4671 95 04... ...000001-999999	4672 05 04... ...000001-999999
 Кількість обертів холостого ходу.....	0-950 min ⁻¹	0-550 min ⁻¹	0-800 min ⁻¹
 Кількість ударів.....	0-1150 min ⁻¹	0-950 min ⁻¹	0-850 min ⁻¹
 Швидкість холостого ходу.....	0-1500 min ⁻¹	0-1400 min ⁻¹	0-1300 min ⁻¹
 Кількість ударів.....	0-2100 min ⁻¹	0-1750 min ⁻¹	0-1850 min ⁻¹
 Кількість обертів холостого ходу.....	0-1800 min ⁻¹	0-1750 min ⁻¹	0-1800 min ⁻¹
 Кількість ударів.....	0-2400 min ⁻¹	0-2100 min ⁻¹	0-2400 min ⁻¹
 Кількість обертів холостого ходу.....	0-1800 min ⁻¹	0-1750 min ⁻¹	0-1800 min ⁻¹
 Кількість ударів.....	0-2400 min ⁻¹	0-2100 min ⁻¹	0-2400 min ⁻¹
Крутильний момент.....	1017 Nm	1356 Nm	1627 Nm
Макс. розмір гвинтів / розмір гайок.....	M 24	M33	M33
Затискач інструмента.....	1/2" (13 mm)	1/2" (13 mm)	3/4" (19 mm)
Напруга змінної акумуляторної батареї.....	18 V	18 V	18 V
Вага згідно з процедурою EPTA 01/2014 (4,0 Ah / 5,0 Ah).....	3,2 kg	3,3 kg	3,5 kg
Вага згідно з процедурою EPTA 01/2014 (9,0 Ah).....	3,6 kg	3,7 kg	3,9 kg
Діапазон частот Bluetooth (діапазони частот).....	2402-2480 MHz	2402-2480 MHz	2402-2480 MHz
потужність високої частоти.....	1,8 dBm	1,8 dBm	1,8 dBm
Версія Bluetooth.....	4.0 BT signal mode	4.0 BT signal mode	4.0 BT signal mode
Рекомендована температура довкілля під час роботи.....	-18 +50 °C	-18 +50 °C	-18 +50 °C
Рекомендовані типи акумуляторів.....	M18B2, M18B4, M18B5, M18B6, M18B9		
Рекомендовані зарядні пристрої.....	M12-18C, M12-18AC, M12-18FC, M1418C6		

Шум / інформація про вібрацію

Вимірні значення визначені згідно з EN 62841.

Рівень шуму "A" приладу становить в типовому випадку:

Рівень звукового тиску (похибка K = 3 дБ(A))..... 94,7 дБ (A) 94,9 дБ (A) 98,5 дБ (A)

Рівень звукової потужності (похибка K = 3 дБ(A))..... 105,7 дБ (A) 105,9 дБ (A) 109,5 дБ (A)

Використовувати засоби захисту органів слуху!

Сумарні значення вібрації (векторна сума трьох напрямків), встановлені згідно з EN 62841.

Значення вібрації a_w

Затягнення гвинтів та гайок максимального розміру..... 18,4 m/s² 16,7 m/s² 15,9 m/s²

похибка K = 1,5 m/s² 1,5 m/s² 1,5 m/s²

ПОПЕРЕДЖЕННЯ!

Заявлені значення шумового випромінювання, вказані в цьому інформаційному аркуші, було виміряно відповідно до стандартизованого випробування згідно з EN 62841 та можуть використовуватися для порівняння одного інструмента з іншим. Вони також можуть використовуватися для попередньої оцінки рівня впливу на організм.

Вказані значення вібрації та шумового випромінювання дійсні для основних областей застосування інструмента. Якщо інструмент використовується в інших областях застосування чи з іншим приладом або не проходить належне обслуговування, значення вібрації та шумового випромінювання можуть відрізнятися. Це може суттєво збільшити рівень впливу на організм протягом загального періоду роботи.

Під час оцінки рівня впливу вібрації та шумового випромінювання на організм також необхідно враховувати періоди, коли інструмент вимкнено, чи коли він працює, але фактично не використовується для виконання роботи. Це може суттєво знизити рівень впливу на організм протягом загального періоду роботи.

Визначте додаткові заходи для захисту оператора від впливу вібрації та/або шуму, наприклад, обслуговування інструмента та його приладдя, зберігання рук у теплі, організація графіків роботи.

УВАГА! Ознайомитись з усіма попередженнями з безпечного використання, інструкціями, ілюстративним матеріалом та технічними характеристиками, які надаються з цим електричним інструментом.

Недотримання всіх наведених нижче інструкцій може призвести до ураження електричним струмом, пожежі та/або важких травм.

Зберігати всі попередження та інструкції для використання в майбутньому.

ВКАЗІВКИ З ТЕХНІКИ БЕЗПЕКИ ДЛЯ УДАРНОГО ГВИНТОКРУТА

Користуйтеся засобами захисту органів слуху. Вплив шуму може спричинити втрату слуху.

Тримайте пристрій за ізольовані поверхні ручок, коли виконуєте роботу, під час якої гвинт може нагрітися або нагріваються приховані електропроводи.

Контакт гвинта з проводом під напругою може сприяти виникненню напруги на металевих деталях пристрою та призвести до ураження електричним струмом.

ДОДАТКОВІ ІНСТРУКЦІЇ З ТЕХНІКИ БЕЗПЕКИ ТА ЕКСПЛУАТАЦІЇ

Носіть індивідуальні засоби захисту. Завжди носіть захисні окуляри. Носіння відповідних засобів захисту, як-от пілозахисні маски, нековзане взуття, каски чи засоби захисту органів слуху, знижує ризик отримання травм.

Пил, що утворюється під час роботи, часто буває шкідливим для здоров'я; він не повинен потрапляти в організм. Носити відповідну маску для захисту від пилу.

Не можна обробляти матеріали, небезпечні для здоров'я (наприклад, азбест).

При блокуванні вставного інструменту негайно вимкнути прилад! Не викидайте прилад, якщо вставний інструмент заблокований; при цьому може виникати віддача з високим зворотним моментом. Визначити та усунути причину блокування вставного інструменту з урахуванням вказівок з техніки безпеки.

Можливі причини:

- Перекіс в заготовці, що обробляється
- Пробивання оброблюваного матеріалу
- Перевантаження електроінструмента

Частина тіла не повинні потрапляти в машину, коли вона працює.

Робочий інструмент має гострі краї й може нагріватися під час застосування.

ПОПЕРЕДЖЕННЯ! Небезпека порізів та опіків
- під час маніпуляцій із робочими інструментами
- під час покладення інструмента.

Під час маніпуляцій із робочими інструментами надягайте рукавички.

Не можна видаляти стружку або уламки, коли машина працює.

Під час роботи на стінах, стелях або підлозі звертати увагу на електричні кабелі, газові та водопровідні лінії.

Зафіксувати заготовку в затискному пристрої. Незакріплені заготовки можуть привести до тяжких травм та пошкоджень.

Перед будь-якими роботами на машині виїняти змінну акумуляторну батарею

Відпрацьовані знімі акумуляторні батареї не можна кидати у вогонь або викидати з побутовими відходами. Milwaukee пропонує утилізацію старих знімних акумуляторних батарей, безпечно для довкілля; зверніться до свого дилера.

Не зберігати знімі акумуляторні батареї разом з металевими предметами (небезпека короткого замикання).

Знімі акумуляторні батареї системи M18 заряджати лише зарядними пристроями системи M18. Не заряджати акумуляторні батареї інших систем.

Не відкривати знімі акумуляторні батареї і зарядні пристрої та зберігати їх лише в сухих приміщеннях. Берегти від вологості.

При екстремальному навантаженні або при екстремальній температурі з пошкодженої змінної акумуляторної батареї може витікати електроліт. При потрапленні електроліту на шкіру його негайно необхідно змити водою з милом. При потрапленні в очі їх необхідно негайно ретельно промити, щонайменше 10 хвилин, та негайно звернутися до лікаря.

▲ ПОПЕРЕДЖЕННЯ! Цей прилад містить в собі один літєвий мініатюрний елемент живлення.

Як новий, так і використаний елемент живлення може призвести до важких внутрішніх опіків і смерті протягом менше 2 годин, якщо він був проковтнутий або потрапив всередину організму іншим шляхом. Кришка батарейного відділення завжди має бути закритою.

Якщо кришка щільно не закривається, відключіть прилад, вийміть елемент живлення і сховайте від дітей.

При підозрі, що елемент живлення проковтнутий або потрапив всередину організму іншим шляхом, терміново зверніться до лікаря.

Попередження! Для запобігання небезпеці пожежі в результаті короткого замикання, травмам і пошкодженню виробів не занурюйте інструмент, змінний акумулятор або зарядний пристрій у рідину і не допускайте потраплення рідини всередину пристроїв або акумуляторів. Корозійні і струмопровідні рідини, такі як солоний розчин, левні хімікати, вибуховальні засоби або продукти, що їх містять, можуть призвести до короткого замикання.

ВИКОРИСТАННЯ ЗА ПРИЗНАЧЕННЯМ

Акумуляторний ударний гвинтокрут можна використовувати універсально для пригвинчування та відгвинчування гвинтів та гайок незалежно від мережевого живлення.

Цей прилад можна використовувати тільки за призначенням так, як вказано в цьому документі.

ДЕКЛАРАЦІЯ ЄС ПРО ВІДПОВІДНІСТЬ

Як виробник, ми заявляємо на власну відповідальність, що виріб, описаний у "Технічних даних", відповідає всім застосовним положенням директив 2011/65/EU (RoHS), 2014/53/EU, 2006/42/EG, та наступним гармонізованим нормативним документами:

EN 62841-1:2015
EN 62841-2:2-2014
EN IEC 55014-1:2021
EN IEC 55014-2:2021
EN 62479:2010
EN 301 489-1 V2.2.3
EN 301 489-17 V3.1.1
EN 300 328V2.2.2
EN IEC 63000:2018

Winnenden, 2022-11-01



Alexander Krug
Managing Director

Уповноважений із складання технічної документації.

Techtronic Industries GmbH
Max-Eyth-Straße 10



71364 Winnenden
Germany

ЕКСПЛУАТАЦІЯ

Вказівка: рекомендовано після закручування завжди перевіряти момент затягування за допомогою динамометричного ключа.

Момент затягування залежить від великої кількості чинників, а саме:

- Стан батареї — коли батарея розряджена, напруга спадає, тому момент затягування зменшується.
- Швидкість обертання — застосування інструмента з нижчою швидкістю обертання призводить до зменшеного моменту затягування.
- Положення при затягуванні — спосіб утримання інструмента й елемента кріплення впливає на момент затягування.
- Торцева головка та насадка — використання торцевої головки та насадки невідповідного розміру чи недостатньо міцного приладдя зменшує момент затягування.
- Використання приладдя та подовжувачів — у залежності від приладдя та подовжувачів момент затягування інструмента може зменшитися.
- Гвинт/гайка — момент затягування може змінюватися в залежності від діаметру, довжини та класу міцності гвинта/гайки.
- Стан елементів кріплення — забруднені, вражені корозією, сухі чи змашені елементи кріплення можуть впливати на момент затягування.
- Елементи, що підлягають закручуванню — міцність елементів, що підлягають закручуванню, та інших елементів між ними (сухий або змашений, твердий або м'який, шайба, ущільнювач) можуть впливати на момент затягування.

ТЕХНІКА ЗАКРУЧУВАННЯ

Чим довше докладається зусилля на болт, гвинт або гайку, тим міцніше вони закручуються.

Щоб уникнути пошкодження елементів кріплення чи виробу, уникайте занадто довгого докладання зусиль.

Будьте особливо уважними, працюючи з маленькими кріпильними елементами, тому що вони потребують меншої кількості імпульсів для досягнення оптимального моменту затягування.

Потренуйтеся на різних елементах кріплення та візьміть на увагу той час, який потрібен, щоб досягнути бажаного моменту затягування.

Перевірте момент затягування за допомогою ручного динамометричного ключа.

Якщо момент затягування зavelикий, зменшить час докладання зусиль.

Якщо момент затягування замалий, збільшить час докладання зусиль.

Масло, бруд, іржа та інші забруднення на різьбі або під головою елемента кріплення впливають на величину моменту затягування.

Обертальний момент, який потрібен для відкручування, складає в середньому 75–80 % від моменту затягування, в залежності від стану контактних поверхонь.

Закручуйте з відносно невеликим моментом затягування, а потім достаточо закрутіть за допомогою ручного динамометричного ключа.

ВИБІР РЕЖИМУ РОБОТИ

Перед зміною режиму роботи дочекайтесь повної зупинки пристрою. Щоб змінити налаштування, натиснути кнопку . Натиснути кнопку WLAN , щоб змінити попередньо задані значення через додаток ONE-KEY на вашому смартфоні.

ONE-KEY™

Щоб дізнатися більше про функціональні можливості ONE-KEY для цього інструменту, ознайомтеся з короткою інструкцією, яка додається, або відвідайте нашу сторінку в інтернеті - www.milwaukee.com/one-key. Додаток ONE-KEY доступний для завантаження на ваш смартфон через App Store або Google Play.

Якщо прилад зазнав uszkodжень від електростатичного розряду, світлодіодний індикатор швидкості гасне, і швидкість більше не може регулюватися. У цьому разі слід виїняти змінний акумулятор і кнопковий елемент живлення і знову вставити (див. стор. 6 і стор. 15).
Порушення, викликані впливом електростатичного розряду, також призводять до переривання зв'язку Bluetooth. У цьому випадку з'єднання Bluetooth має бути знову встановлене вручну.

Індикатор ONE-KEY™	
Індикатор горить синім	Радіозв'язок активний і його можна встановити за допомогою програми ONE-KEY™.
Індикатор блимає синім	Інструмент зв'язується з програмою ONE-KEY™.
Індикатор блимає червоним	Інструмент був заблокований з міркувань безпеки і його може розблокувати оператор через програму ONE-KEY™.

АКУМУЛЯТОРНІ БАТАРЕЇ

Зніму акумуляторну батарею, що не використовувалася тривалий час, перед використанням необхідно підзарядити.

Температура понад 50 °C зменшує потужність знімної акумуляторної батареї. Уникати тривалого нагрівання сонячними променями або системою обігріву.

З'єднувальні контакти зарядного пристрою та знімної акумуляторної батареї повинні бути чистими.

Для забезпечення оптимального строку експлуатації акумуляторної батареї після використання необхідно повністю зарядити.

Для забезпечення максимально можливого терміну експлуатації акумуляторні батареї після зарядки необхідно виймати з зарядного пристрою.

При зберіганні акумуляторної батареї понад 30 днів: Зберігати акумуляторну батарею при температурі приблизно 27 °C в сухому місці.

Зберігати акумуляторну батарею в стані зарядки приблизно 30-50 %. Кожні 6 місяців заново заряджати акумуляторну батарею.

ЗАХИСТ АКУМУЛЯТОРНОЇ БАТАРЕЇ ВІД ПЕРЕВАНТАЖЕННЯ

При перевантаженні акумуляторної батареї внаслідок занадто великого споживання струму, наприклад, при занадто високому крутильному моменту, заглинюванні свердла, раптової зупинці або короткому замиканню, електронний пристрій подає сигнал на протязі 2 секунд та самостійно вимикається.

Для повторного увімкнення відпустити кнопку вимикача і знов увімкнути. При надзвичайному навантаженні акумуляторна батарея може дуже сильно нагрітись. В такому випадку акумуляторна батарея вимикається.

ТРАНСПОРТУВАННЯ ЛІТІЙ-ІОННИХ АКУМУЛЯТОРНИХ БАТАРЕЙ

Літій-іонні акумуляторні батареї підпадають під законоположення про перевезення небезпечних вантажів.

Транспортування таких акумуляторних батарей повинно відбуватися із дотриманням місцевих, національних та міжнародних приписів та положень.

- споживачі можуть без проблем транспортувати ці акумуляторні батареї по вулиці.

- Комерційне транспортування літій-іонних акумуляторних батарей експедиторськими компаніями підпадає під положення про транспортування небезпечних вантажів. Підготовку до відправлення та транспортування можуть здійснювати виключно особи, які пройшли відповідне навчання. Весь процес повинні контролювати кваліфіковані фахівці.

При транспортуванні акумуляторних батарей необхідно дотримуватись зазначених далі пунктів:

- Переконатися в тому, що контакти захищені та ізольовані, щоб запобігти короткому замиканню.

- Слідкуйте за тим, щоб акумуляторна батарея не переміщувалася всередині упаковки.

- Пошкоджені акумуляторні батареї, або акумуляторні батареї, що потекли, не можна транспортувати.

Для отримання подальших вказівок звертайтеся до своєї експедиторської компанії.

ОБСЛУГОВУВАННЯ

Вказівки щодо обслуговування доступні в додатку ONE-KEY.

Використовувати тільки комплектуючі та запчастини Milwaukee. Деталі, заміна яких не описується, замінювати тільки в відділі обслуговування клієнтів Milwaukee (зверніть увагу на брошуру "Гарантія і адреси сервісних центрів").

У разі необхідності можна запросити креслення з зображенням вузлів машини в перспективному вигляді, для цього потрібно звернутися в ваш відділ обслуговування клієнтів або безпосередньо в Techtronic Industries GmbH, Max-Eyth-Strasse 10, 71364 Winnenden, Німеччина, та вказати тип машини та шестизначний номер на фірмовій таблиці з даними машини.

СИМВОЛИ

	УВАГА! ПОПЕРЕДЖЕННЯ! НЕБЕЗПЕЧНО!
	Перед будь-якими роботами на машині вийняти змінну акумуляторну батарею
	Уважно прочитайте інструкцію з експлуатації перед введенням приладу в дію.
	Носити захисні рукавиці!
	Не ковтати мініатюрний елемент живлення!
	Не утилізуйте відпрацьовані батареїки й відпрацьоване електричне та електронне обладнання разом з змішаними побутовими відходами. Відпрацьовані батареїки, відпрацьоване електричне та електронне обладнання необхідно збирати окремо. Відпрацьовані батареїки, відпрацьовані акумулятори, відпрацьовані джерела світла повинні бути вилучені з обладнання. Зверніться до місцевих органів влади або роздрібною продавця за порадою щодо утилізації та пункту збору. Відповідно до місцевих постанов, роздрібні продавці можуть бути зобов'язані безкоштовно забирати назад відпрацьовані акумулятори, електричне та електронне обладнання. Ваш внесок до повторного звивання та переробки відпрацьованих батарейок і відпрацьованого електричного та електронного обладнання допомагає зменшити попит на сировину. Відпрацьовані батареїки, зокрема, що містять літій, і відпрацьоване електричне та електронне обладнання містять цінні матеріали, які можуть бути перероблені, та мають негативний вплив на довкілля й здоров'я людей, якщо не будуть утилізовані у безпечний для довкілля спосіб. Видаліть особисті дані з відпрацьованого обладнання, якщо такі є.
	Кількість обертів холостого ходу
	Напруга
	Постійний струм
	Європейський знак відповідності
	Британський знак відповідності
	Український знак відповідності
	Євразійський знак відповідності

ТЕХНІЧКИ ПОДАЧ	AKUMULATORSKI UDARNI ODVIJAJČ	M18 ONEFHWP12	M18 ONEFHWF12	M18 ONEFHWF34
Broj proizvoda	4671 85 04... ..000001-999999	4671 95 04... ..000001-999999	4672 05 04... ..000001-999999	
Broj obrtaja u praznom hodu	0-950 min ⁻¹	0-550 min ⁻¹	0-800 min ⁻¹	
Broj udara	0-1150 min ⁻¹	0-950 min ⁻¹	0-850 min ⁻¹	
Broj obrtaja u praznom hodu	0-1500 min ⁻¹	0-1400 min ⁻¹	0-1300 min ⁻¹	
Broj udara	0-2100 min ⁻¹	0-1750 min ⁻¹	0-1850 min ⁻¹	
Broj obrtaja u praznom hodu	0-1800 min ⁻¹	0-1750 min ⁻¹	0-1800 min ⁻¹	
Broj udara	0-2400 min ⁻¹	0-2100 min ⁻¹	0-2400 min ⁻¹	
Broj obrtaja u praznom hodu	0-1800 min ⁻¹	0-1750 min ⁻¹	0-1800 min ⁻¹	
Broj udara	0-2400 min ⁻¹	0-2100 min ⁻¹	0-2400 min ⁻¹	
Maks. obrtni moment	1017 Nm	1356 Nm	1627 Nm	
Maksimalna veličina šrafa / veličina matice	M24	M33	M33	
Držać alata	1/2" (13 mm)	1/2" (13 mm)	3/4" (19 mm)	
Napon akumulatora	18 V	18 V	18 V	
Težina prema EPTA proceduri 01/2014 (4,0 Ah / 5,0 Ah)	3,2 kg	3,3 kg	3,5 kg	
Težina prema EPTA proceduri 01/2014 (9,0 Ah)	3,6 kg	3,7 kg	3,9 kg	
Bluetooth frekvencijski opseg (opsezi)	2402-2480 MHz	2402-2480 MHz	2402-2480 MHz	
Snaga visoke frekvencije	1,8 dBm	1,8 dBm	1,8 dBm	
Bluetooth verzija	4.0 BT signal mode	4.0 BT signal mode	4.0 BT signal mode	
Preporučena temperatura okoline tokom rada	-18 ... +50 °C	-18 ... +50 °C	-18 ... +50 °C	
Preporučeni tipovi baterija	M18B2, M18B4, M18B5, M18B6, M18B9			
Preporučeni punjači	M12-18C, M12-18AC, M12-18FC, M1418C6			

informacije o buci/vibraciji:

Izmerene vrednosti u skladu sa EN 62841.

A-ocenjeni nivo buke uređaja tipično iznosi:

Nivo zvučnog pritiska (nesigurnost K=3dB(A))

Nivo zvučne snage (nesigurnost K=3dB(A))

Nosite zaštitu za uši!

Ukupne vrednosti vibracija (vektorski zbir triju pravaca) u skladu sa EN 62841.

Emisiona vrednost vibracije a_w

Zatezanje šrafa i matica maksimalne veličine

Nesigurnost K=

Nesigurnost K=

UPOZORENJE!

Navedene ukupne vrednosti vibracija i vrednosti emisije buke merene su primenom standardizovane metode merenja u skladu sa EN 62841 i mogu da se koriste za upoređivanje električnih alata jedan sa drugim. Može da se koristi za preliminarnu procenu opterećenja.

Navedeni nivo emisije vibracija i buke predstavlja glavnu primenu električnog alata. Međutim, ako se električni alat koristi za druge primene, sa različitim alatima koje koristite ili nedovoljnim održavanjem, emisije vibracija i buke mogu da se razlikuju. Ovo može značajno da poveća njihov efekat tokom celog radnog perioda.

Prilikom procene opterećenja vibracija i buke, takođe treba uzeti u obzir vreme kada je električni alat isključen ili kada radi, ali ne obavlja nikakav stvarni posao. Ovo može značajno da smanji njihov efekat tokom celog radnog perioda.

Uspostavite dodatne bezbednosne mere za zaštitu korisnika od uticaja vibracija i/ili buke, kao npr.: Održavanje alata i dodatne opreme, održavanje toplote ruku, organizacija radnih procesa.

▲ UPOZORENJE! Pročitajte sva bezbednosna upozorenja, uputstva, ilustracije i specifikacije za ovaj električni alat. Nepridržavanje dole navedenih uputstava može da dovede do strujnog udara, požara i/ili ozbiljnih povreda. **Sačuvajte sva bezbednosna uputstva i instrukcije za buduću upotrebu.**

▲ BEZBEDNOSNA UPUTSTVA ZA UDARNE KLJUČEVE

Držite električni alat za izolovane hvatne površine kada izvodite radove gde šraf može da udari u skrivene električne vodove. Kontakt šrafa sa kablom pod naponom može da stavi pod napon metalne delove uređaja i može da dovede do strujnog udara.

Nosite zaštitu za sluh. Izloženost buci može izazvati gubitak sluha.

▲ DALJA UPUTSTVA ZA BEZBEDNOST I RAD

Nosite ličnu zaštitnu opremu. Uvek nosite zaštitne naočare. Nošenje odgovarajuće zaštitne opreme, poput maske za prašinu, neklizajućih cipela, zaštitne kacige ili zaštitne za sluh smanjuje rizik od povreda.

Prašina koja se stvara tokom rada često je štetna po zdravlje i ne bi trebalo da dospeje u telo. Nosite odgovarajuću masku za zaštitu od prašine.

Ne smeju da se prerađuju materijali koji predstavljaju opasnost po zdravlje (npr. azbest).

Ako je alat koji koristite blokiran, odmah isključite uređaj! Nemojte ponovo uključivati uređaj dok je alat koji koristite blokiran; ovo može da dovede do povratnog udara sa velikim reakcionim momentom. Utvrdite i otklonite uzrok blokiranja alata koji koristite, uzimajući u obzir bezbednosna uputstva.

Mogući uzroci za ovo mogu biti:

- Naginjanje u radnom predmetu koji se obrađuje
- Probijanje kroz materijal koji se obrađuje
- Preopterećenje električnog alata

Ne posežite u mašinu koja radi.

Alat koji koristite je oštrih ivica i može se zagrejati tokom upotrebe.

UPOZORENJE! Opasnost od posekotina i opekotina

– prilikom rukovanja alatima koje koristite

– prilikom spuštanja uređaja.

Nosite zaštitne rukavice kada rukujete alatima koje koristite.

Strugotine ili krotine se ne smeju uklanjati dok mašina radi.

Kada radite na zidovima, plafonima ili podovima, obratite pažnju na električne kablove, gasne i vodovodne cevi.

Obezbedite radni predmet pomoću uređaja za stezanje. Radni predmeti koji nisu obezbeđeni mogu da izazovu ozbiljne povrede i oštećenja.

Pre bilo kakvog rada na mašini, uklonite zamenjivu bateriju

Ne bacajte iskorišćene zamenjive baterije u vatru ili kućni otpad. Kompanija Milwaukee nudi ekološki prihvatljivu zamenu starih baterija; pitajte svog prodavca.

Ne skladištite zamenjive baterije zajedno sa metalnim predmetima (opasnost od kratkog spoja).

Punite zamenjive baterije sistema M18 samo sa punjačima M18 sistema. Ne punite baterije iz drugih sistema.

Ne otvarajte zamenjive baterije i punjače i čuvajte ih samo u suvim prostorijama. Zaštite ih od vlage.

Tečnost za baterije može da curi iz oštećenih baterija pod ekstremnim opterećenjima ili ekstremnim temperaturama. Ako dodete u kontakt sa tečnošću baterije, odmah je isperite sapunom i vodom. U slučaju kontakta sa očima, odmah temeljno isperite najmanje 10 minuta i odmah se obratite lekaru.

⚠ UPOZORENJE! Ovaj uređaj sadrži litijumsku dugmastu bateriju. Nova ili korišćena baterija može izazvati ozbiljne unutrašnje opekotine i smrt za manje od 2 sata ako se proguta ili uđu u telo. Uvek pričvrstite poklopac odeljka za baterije. Ako se ne zatvara dobro, isključite uređaj, izvadite bateriju i držite dalje od dece. Ako mislite da su baterije progutane ili ušle u Vaše telo, odmah potražite medicinsku pomoć.

Upozorenje! Da biste smanjili rizik od požara, ličnih povreda ili oštećenja proizvoda uzrokovanih kratkim spojem, nemojte uranjati alat, zamenjivu bateriju ili punjač u tečnost i uverite se da tečnost ne uđe u alate ili baterije. Korozivne ili provodljive tečnosti, kao što su slana voda, određene hemikalije i izbeljivači ili proizvodi koji sadrže izbeljivač, mogu da izazovu kratak spoj.

NAMENSKA UPOTREBA

Akumulatorski udarni ključ može se univerzalno koristiti za pričvršćivanje i otpuštanje šrafova i matica nezavisno od mrežnog priključka.

Ovaj uređaj se može koristiti samo onako kako je naznačeno za njegovu namenu.

EC IZJAVA O USKLADENOSTI

Kao proizvođač, s potpunom odgovornošću izjavljujemo da je proizvod opisan u odeljku „Tehnički podaci“ u skladu sa svim relevantnim propisima direktiva 2011/65/EU (RoHS), 2014/30/EU, 2006/42/EG i sledećim usklađenim normativnim dokumentima:

EN 62841-1:2015
EN 62841-2-2:2014
EN IEC 55014-1:2021
EN IEC 55014-2:2021
EN 62479:2010
EN 301 489-1 V2.2.3
EN 301 489-17 V3.1.1
EN 300 328V2.2.2
EN IEC 63000:2018

Winnenden, 2022-11-01

Alexander Krug
Managing Director



Ovlašćen za sastavljanje tehničke dokumentacije.

Techtronic Industries GmbH
Max-Eyth-Straße 10
71364 Winnenden
Germany

UPRAVLJANJE

Uputa: Preporučuje se da uvek proverite moment zatezanja moment ključa nakon pričvršćivanja.

Na moment zatezanja utiču različiti faktori uključujući sledeće.

- Stanje napunjenosti baterije - Kada se baterija isprazni, napon opada i moment zatezanja se smanjuje.
- Broj obrtaja - Korišćenje alata pri malim brzinama će da rezultuje manjim momentom zatezanja.
- Položaj pričvršćivanja – Način na koji držite alat ili pričvršćivač utiče na moment zatezanja.
- Rotacioni/utični umetak – Korišćenjem rotacionog ili utičnog umetka pogrešne veličine, ili korišćenjem dodatne opreme koja nije otporna na udarce, smanjice se obrtni moment zatezanja.
- Upotreba dodatne opreme i produžetaka – U zavisnosti od dodatne opreme ili produžetka, moment zatezanja udarnog ključa može biti smanjen.
- Šraf/matica – Moment zatezanja može da varira u zavisnosti od prečnika, dužine i klase čvrstoće šrafa/matrice.
- Stanje pričvršćivača - Kontaminirani, korodirani, suvi ili podmazani pričvršćivači mogu uticati na moment zatezanja.
- Delovi koji se zavrtaju – Čvrstoća delova koji se zavrtaju i svaka komponenta između njih (suva ili podmazana, meka ili tvrda, disk, zaptivka ili podloška) može uticati na moment zatezanja.

TEHNIKE UVRTANJA

Što je duže vijak, šraf ili matica opterećen udarnim ključem, to je čvršće zategnuto.

Da biste izbegli oštećenje pričvršćivača ili radnih predmeta, izbegavajte prekomerno trajanje udara.

Budite posebno oprezni kada radite na manjim pričvršćivačima, jer im je potrebno manje udaraca da bi se postigao optimalni moment zatezanja. Vežbajte sa različitim pričvršćivačima i zabeležite vreme potrebno da se postigne željeni moment zatezanja.

Proverite moment zatezanja ručnim moment ključem.

Ako je moment zatezanja previsok, smanjite vreme udara.

Ako je moment zatezanja nedovoljan, povećajte vreme udara.

Ulje, prljavština, rđa ili drugi zagađivači na navojima ili ispod glave pričvršćivača će da utiču na visinu zateznog momenta.

Obrtni moment potreban za otpuštanje pričvršćivača u proseku iznosi 75% do 80% momenta zatezanja, u zavisnosti od stanja dodirnih površina.

Lagani rad zavrtanja obavite sa relativno malim momentom zatezanja i koristite ručni moment ključ za konačno zatezanje.

IZBOR REŽIMA RADA

Pre nego što promenite režim rada, sačekajte da se uređaj potpuno zaustavi. Da biste promenili podešavanja, pritisnite dugme . Pritisnite Wifi dugme , da biste promenili unapred podešene vrednosti preko ONE-KEY aplikacije na Vašem pametnom telefonu.

ONE-KEY™

Da biste saznali više o funkciji ONE-KEY ovog alata, pročitajte priloženi vodič za brzi početak ili nas posetite na veb adresi www.milwaukeeool.com/one-key. Možete preuzeti ONE-KEY aplikaciju na svoj pametni telefon preko aplikacije App Store ili Google Play.

Ako je uređaj poremećen elektrostatičkim pražnjenjem, LED indikator brzine će da se ugasi i nećete moći da podesite brzinu. U tom slučaju, uklonite izmenjivi akumulator i dugmastu bateriju i ponovo ih umetnite (pogledajte stranu 6 i stranu 15).

Smetnje izazvane elektrostatičkim pražnjenjem takođe dovode do prekida Bluetooth komunikacije. U tom slučaju, Bluetooth veza mora ponovo ručno da se uspostavi.

ONE-KEY™ prikaz.

Svetli plavo	Bežična veza je aktivna i može da se podesi preko ONE-KEY™ aplikacije.
Treperi plavo	Alatka komunicira sa aplikacijom ONE-KEY™
Treperi crveno	Alatka je zaključana iz bezbednosnih razloga i korisnik može da je otključa preko ONE-KEY™ aplikacije..

BATERIJE

Pre upotrebe napunite zamenjive baterije koje nisu korišćene duže vreme.

Temperatura iznad 50°C smanjuje snagu baterije. Izbegavajte produženo izlaganje suncu ili grejanju.

Održavajte čistim kontakte za povezivanje na priključku za napajanje i zamenjivu bateriju.

Za optimalan radni vek, baterije moraju potpuno da se napune nakon upotrebe.

Da bi se obezbedio najduži mogući životni vek, baterije treba da se izvade iz punjača nakon punjenja.

Pri skladištenju baterije duže od 30 dana:

Čuvajte bateriju na suvom mestu na temperaturi ispod 27 °C.

Čuvajte bateriju na oko 30% -50% stanja napunjenosti.

Punite bateriju ponovno svakih 6 meseci.

ZAŠTITA BATERIJE OD PREOPTEREĆENJA

Ako je baterija preopterećena zbog veoma velike potrošnje struje, npr. izuzetno velikog obrtnog momenta, zaglavlivanja bušilice, iznenadnog zaustavljanja ili kratkog spoja, električni alat će da bruji 2 sekunde i sam će da se isključi.

Da biste ga ponovo uključili, otpustite okidač prekidača, a zatim ga ponovo uključite.

Pod ekstremnim opterećenjima, baterija može jako da se zagreje. U ovom slučaju baterija se isključuje.

Zatim priključite bateriju u punjač da biste je napunili i aktivirali.

PREVOZ LITIJUM-JONSKIH BATERIJA

Litijum-jonske baterije spadaju pod zakonske odredbe o transportu opasnih materija.

Ove baterije moraju da se transportuju u skladu sa lokalnim, nacionalnim i međunarodnim propisima i odredbama.

- Potrošači mogu slobodno da transportuju ove baterije na putu.
- Komercijalni transport litijum-jonskih baterija od strane špediterskih kompanija podleže propisima za prevoz opasnih materija. Pripreme za otpremu i transport smeju da obavljaju samo odgovarajuće obučene osobe. Ceo proces mora da bude profesionalno praćen.

Prilikom transporta baterija morate da obratite pažnju na sledeće tačke:

- Uverite se da su kontakti zaštićeni i izolovani da bi sprečili kratke spojeve.
- Vodite računa da baterija ne može da sklizne unutar pakovanja.
- Oštećene baterije ili baterije koje cure ne smeju da se transportuju.

Kontaktirajte svoju špeditersku kompaniju za više informacija.

ODRŽAVANJE

Uputstva za održavanje mogu se naći u aplikaciji ONE-KEY.

Koristite samo dodatnu opremu i rezervne delove kompanije Milwaukee. Delove koji nisu opisani za zamenu treba zameniti u servisnom centru kompanije Milwaukee (pogledajte brošuru Garancija/Adrese korisničkog servisa).

Ako je potrebno, znak za eksploziju uređaja se može zatražiti od Vašeg centra za korisničku podršku ili direktno od kompanije Techtronic Industries GmbH, -Eyth-Straße 10, 71364 Winnenden, Germany, navodeći tip mašine i šestocifreni broj na natpisnoj pločici.

SIMBOLI

	PAŽNJA! UPOZORENJE! OPASNOST!
	Pre bilo kakvog rada na mašini, uklonite zamenjivu bateriju
	Pažljivo pročitajte uputstvo za upotrebu pre korišćenja.
	Nosite zaštitne rukavice!
	Nemojte progutati dugmastu bateriju!
	Stare baterije, stari električni i elektronski uređaji se ne smeju odlagati sa kućnim otpadom. Stare baterije, stari električni i elektronski uređaji moraju da se posebno sakupljaju i odlažu. Uklonite stare baterije, akumulatore i sijalice iz uređaja pre odlaganja. Pitajte lokalne vlasti ili svog prodavca o centrima za reciklažu i sabirnim mestima. U zavisnosti od lokalnih propisa, od prodavaca može da se zahteva da besplatno preuzmu stare baterije i stare električne i elektronske uređaje. Pomozite da smanjite potrebu za sirovinama tako što ćete ponovo da koristite i reciklirate svoje stare baterije, stare električne i elektronske uređaje. Stare baterije (posebno litijum-jonske), stari električni i elektronski uređaji sadrže vredne materijale koji mogu da se recikliraju i koji, ako se ne odlažu na ekološki odgovoran način, mogu imati negativan uticaj na životnu sredinu i Vaše zdravlje. Pre odlaganja, izbršite sve lične podatke koji možda postoje na Vašem starom uređaju.
n	Broj obrtaja u praznom hodu
V	Napon
	Jednosmerna struja
	Evropska oznaka usaglašenosti
	Britanski znak usaglašenosti
	Ukrajinski znak usklađenosti
	Evroazijski znak usaglašenosti.

TË DHËNA TEKNIKE	VIDUESI GODITËS ME BATERI	M18 ONEFHWP12	M18 ONEFHWF12	M18 ONEFHWF34
Numri i produktit.....	4671 85 04...	4671 95 04...	4672 05 04...	000001-999999
 Shpejtësia boshe e rrotullimit.....	0-950 min ⁻¹	0-550 min ⁻¹	0-800 min ⁻¹	
 Shpejtësia boshe e rrotullimit.....	0-1500 min ⁻¹	0-1400 min ⁻¹	0-1300 min ⁻¹	
 Shpejtësia boshe e rrotullimit.....	0-1800 min ⁻¹	0-1750 min ⁻¹	0-1800 min ⁻¹	
 Shpejtësia boshe e rrotullimit.....	0-1800 min ⁻¹	0-1750 min ⁻¹	0-1800 min ⁻¹	
Çift rrotullues max.....	1017 Nm	1356 Nm	1627 Nm	
Madhësia maksimale e vidave/dadove.....	M 24	M33	M33	
Mbajtëse e veglave.....	1/2" (13 mm)	1/2" (13 mm)	3/4" (19 mm)	
Tensioni I baterive.....	18 V	18 V	18 V	
Pesha sipas procedurës EPTA 01/2014 (4,0 Ah / 5,0 Ah).....	3,2 kg	3,3 kg	3,5 kg	
Pesha sipas procedurës EPTA 01/2014 (9,0 Ah).....	3,6 kg	3,7 kg	3,9 kg	
Brez i frekuencave Bluetooth (brezat e frekuencës).....	2402-2480 MHz	2402-2480 MHz	2402-2480 MHz	
Performancë me frekuencë të lartë.....	1,8 dBm	1,8 dBm	1,8 dBm	
Versioni Bluetooth.....	4.0 BT signal mode	4.0 BT signal mode	4.0 BT signal mode	
Temperatura e rekomanduar e ambientit gjatë punës.....	-18 ... +50 °C	-18 ... +50 °C	-18 ... +50 °C	
Llojet e rekomanduara të baterive.....	M18B2, M18B4, M18B5, M18B6, M18B9			
Karikuesit e rekomanduar.....	M12-18C, M12-18AC, M12-18FC, M1418C6			

Informacion mbi zhurmën/dridhjet: Vlerat e matura të përcaktuara sipas EN 62841.

Niveli i ponderuar i zhurmës A i pajisjes është zakonisht:

Niveli i shtypjes së zhurmës (pasiguria K=3dB(A))..... 94,7 dB (A) 94,9 dB (A) 98,5 dB (A)

Niveli i fuqisë së zërit (pasiguria K=3dB(A))..... 105,7 dB (A) 105,9 dB (A) 109,5 dB (A)

Vendosni mbrojtëse për veshët!

Vlerat totale të dridhjeve (shuma vektoriale e tre drejtimeve) të përcaktuara sipas EN 62841.

Vlera e emetimit të dridhjeve a_w

Shtërgjimi i bulonave dhe dadove të madhësisë maksimale..... 18,4 m/s² 16,7 m/s² 15,9 m/s²

Pasiguria K=..... 1,5 m/s² 1,5 m/s² 1,5 m/s²

PARALAJMËRIMI

Vlerat totale të specifikuara të dridhjeve dhe vlerat e emetimit të zhurmës janë matur duke përdorur një metodë matëse të standardizuar në përputhje me EN 62841 dhe mund të përdoren për të krahasuar veglat e energjisë me njëra-tjetrën. Mund të përdoret për një vlerësim paraprak të ekspozimit.

Niveli i specifikuar i dridhjeve dhe emetimit të zhurmës përfaqëson përdorimet kryesore të pajisjes elektrike. Megjithatë, nëse mjeti elektrik përdoret për aplikime të tjera, me mjete të ndryshme shtesë ose mirëmbajtje të pamjaftueshme, emetimet e dridhjeve dhe zhurmës mund të ndryshojnë. Kjo mund të rrisë ndjeshëm efektin e tyre gjatë gjithë periudhës së punës.

Kur vlerësohet ekspozimi ndaj dridhjeve dhe zhurmës, duhet të merret parasysh edhe koha kur mjeti elektrik është i fikur ose kur është në punë, nuk është bërë asnjë punë konkrete. Kjo mund të zvogëlojë ndjeshëm efektin e tyre gjatë gjithë periudhës së punës.

Vendosni masa shtesë sigurie për të mbrojtur përdoruesin nga efektet e dridhjeve dhe/ose zhurmës, të tilla si: p.sh.: Mirëmbajtja e mjeteve dhe aksesorëve, mbajtja e duarve të ngrohta, organizimi i proceseve të punës.

! KUJDES! Lexoni të gjitha paralajmërimet e sigurisë, udhëzimet, ilustrimet dhe specifikimet për këtë vegël elektrike. Mosndjekja e udhëzimeve të mëposhtme mund të rezultojë në goditje elektrike, zjarr dhe/ose lëndim serioz. **Mbani të gjitha paralajmërimet dhe udhëzimet e sigurisë për referencë në të ardhmen.**

! DHËZIME SIGURIE PËRVIDUESIT GODITËS

Mbajeni mjetin elektrik tek sipërfaqet e izoluar të kapjes kur kryeni punësepe vida mund të godasë linjat e fshehura të energjisë. Kontakti i vidës me një linjë përcuese të tensionit do të bëjë që pjesët metalike të veglës elektrike të përcjellin tensionin elektrik dhe do të rezultojë në goditje elektrike.

Përdorni mbrojtje për dëgjimin. Ekspozimi ndaj zhurmës mund të shkaktojë humbje të dëgjimit.

! INSTRUKSIONE SHITESË PËR SIGURINË DHE PUNËN

Përdorni pajisje mbrojtëse. Mbani gjithmonë syze mbrojtëse kur punoni me makinerinë. Rekomandohen veshje mbrojtëse si maskë pluhuri, doreza mbrojtëse, këpucë të forta që nuk rëshqasin, helmete dhe mbrojtje dëgjimi.

Pluhuri i krijuar gjatë punës shpesh është i dëmshëm për shëndetin dhe nuk duhet të futet në trup. Vishni një maskë të përshatshme kundër pluhurit.

Nuk mund të përpunohen materiale që paraqesin rrezik për shëndetin (p.sh. asbest).

Nëse askesori për veglat bllokohet, ju lutemi fikeni pajisjen menjëherë! Mos e rindizni pajisjen kur aksesori për veglat është i bllokuar; kjo mund të rezultojë në kthim prapa me një moment reagimi të lartë. Përcaktioni dhe eliminoni shkakun e bllokimit të aksesorit për veglat, duke marrë parasysh udhëzimet e sigurisë.

Shkaqet e mundshme për këtë mund të jenë:

- Pjerrësia në copën e punës që do të përpunohet
- Copëtimi i materialit që do të përpunohet
- Mbingarkimi i veglës elektrike

Mos e prekni makinerinë që funksionon.

Aksesori për veglat ka skaje të mprehta dhe mund të nxehet gjatë përdorimit.

PARALAJMËRIMI! Rrezik për prerje dhe djegie

– kur përdorni aksesoret e veglave

– kur e ulni pajisjen.

Vishni doreza mbrojtëse kur përdorni aksesoret për veglat.

Pjesëzat ose copëzat nuk duhet të hiqen gjatë kohës që makina është në punë.

Kujdes nga kablot elektrike, tubat e gazit dhe të ujit kur punoni në mure, tavane ose dysheme.

Sigurori pjesën e përpunuar me një pajisje shtrënguese. Pjesët e përpunuara, që nuk janë të siguruar mund të shkaktojnë lëndime dhe dëmtime serioze.

Përpara se të filloni ndonjë punë në makineri, hiqni baterinë e këmbyeshme.

Mos i hidhni bateritë e përdorura të shkëmbyeshme në zjarr ose mbeturina shtëpiake. Milwaukee ofron zëvendësim të vjetër të baterive miqësore me mjedisin; ju lutem pyesni shitësin tuaj.

Mos ruani bateritë e zëvendësueshme së bashku me objekte metalike (reziku i qarkut të shkurtër).

Bateritë e zëvendësueshme të sistemit M18 nur mit Ladegeräten des Systems M18 karikim. Mos karikoni bateritë nga sisteme të tjera.

Mos hapni bateritë dhe karikuesit e zëvendësueshëm dhe ruajini ato vetëm në dhoma të thata. Mbrojini nga lagështia.

Lëngu i baterisë mund të rrjedhë nga akumulatorët e dëmtuara nën ngarkesa ekstreme ose temperatura ekstreme. Nëse bini në kontakt me lëngun e baterisë, lajeni menjëherë me sapun dhe ujë. Në rast kontakti me sy, shpëlajeni menjëherë tërësisht për të paktën 10 minuta dhe këshillohuni menjëherë me mjekun.

! PARALAJMËRIMI! Kjo pajisje përmban një bateri me qelizë litiumi. Një bateri e re ose e përdorur mund të shkaktojë djegie të rënda të brendshme dhe vdekje në më pak se 2 orë nëse gjëllitet ose vendoset në trup. Siguroheni gjithmonë kapakun e baterive. Nëse nuk mbyllet mirë, fikeni pajisjen, hiqni baterinë dhe mbajeni larg fëmijëve.

Nëse mendoni se bateritë janë gjëllitur ose kanë hyrë në trupin tuaj, kërkoni menjëherë kujdes mjekësor.

Paralajmërim! Për të zvogëluar rrezikun e zjarrit, lëndimit personal ose dëmtimit të produktit të shkaktuar nga një qark i shkurtër, mos e zhytni mjetin, baterinë e lëvizshme ose karikuesin në lëng dhe sigurohuni që asnjë lëng të mos hyjë në vegla ose bateri. Lëngjet gjërryese ose përcuese, të tilla si uji i kripur, kimikate të caktuara dhe zbardhues ose produkte që përmbajnë zbardhues, mund të shkaktojnë një qark të shkurtër.

PËRDORIMI I PËRCAKTUAR

Viduesi goditëse bateri mund të përdoret në mënyrëuniversalepër fiksimin dhe lirimin e vidhaves dhe dadove, pavarësisht nga një lidhje me rrjetin elektrik.

Kjo pajisje mund të përdoret vetëm për qëllimin e saj të synuar sipë specifikohet.

DEKLARATA E KONFORMITETIT KE

Si prodhues, ne deklarojmë me përgjegjësi të plotë se produkti i përshkruar nën "Të dhënat teknike" është në përputhje me të gjitha rregulloret përkatëse të direktivave 2011/65/EU (RoHS), 2014/30/EU, 2006/42/EG dhe sa vijon dokumentet normative të harmonizuara përputhen:

EN 62841-1:2015
EN 62841-2:2014
EN IEC 55014-1:2021
EN IEC 55014-2:2021
EN 62479:2010
EN 301 489-1 V2.2.3
EN 301 489-17 V3.1.1
EN 300 328V2.2.2
EN IEC 63000:2018

Winnenden, 2022-11-01



Alexander Krug
Managing Director

I autorizuar për përpilimin e dokumentacionit teknik.



Techtronic Industries GmbH
Max-Eyth-Straße 10
71364 Winnenden
Germany

SHËRBIMI

Njofim: Pas fiksimit rekomandohet që gjithmonë të kontrolloni momentin e shtrëngimit me një çelës rrotullues.

Momenti i shtrëngimit përcaktohet nga një shumëllojshmëri faktorësh duke përfshirë sa vijon.

- Gjendja e karikimit të baterisë - Kur bateria shkarkohet, voltazhi bie dhe çift rrotullimi i shtrëngimit zvogëlohet.
- Shpejtësia e rrotullimit - Përdorimi i veglës me shpejtësi të ulëta do të rezultojë në më pak të Çiftit rrotullues shtrëngues.
- Pozicioni i mbërthyesit - Mënyra se si e mbani mjetin ose mbërthyesin ndikon në çift rrotullues shtrëngues.
- Përdorimi i një drejtuesi ose prize me madhësi të gabuar, ose përdorimi i pjesëve shtesë jo-rezistente ndaj goditjes do të reduktojë çiftin rrotullues shtrëngues.
- Përdorimi i pjesëve shtesë dhe zgjatuesve - Në varësi të pjesës shtesëe zgjatuesit momenti i shtrëngimit të çelësit të goditjes mund të reduktohet.
- Vidë/Dado - Çifti i shtrëngimit mund të ndryshojë në varësi të diametrit të bulonit/dados, gjatësisë dhe klasës së vetive.
- Gjendja e mbërthyesit - Mbërthyesit e pisët, të gjërry, të thatë ose të lubrifikuar mund të ndikojnë në çift rrotullues të shtrëngimit.
- Pjesët që do të vidosen- Fortësia e pjesëve që do të vidosen dhe çdo përbërësi ndërmjet tyre (i thatë ose i lubrifikuar, i butë ose i fortë, rondele, copë litari ose rondele) mund të ndikojë në çiftin rrotullues shtrëngues.

TEKNIKAT E VIDHOSJES

Sa më gjatë të jetë i ngulur njëvidë ose dado me vidator goditësaq më fort do të shtrëngohet.

Për të shmangur dëmtimin e lidhësve ose copës ku punoni, shmangni kohëzgjatjen e tepër të goditjes.

Jini veçanërisht të kujdesshëm kur veproni në mbërthyes më të vegjël pasi ato kërkojnë më pak goditje për të arritur çift rrotullues shtrëngues optimal.

Ushtroni me mbërthyes të ndryshëm dhe vini re kohën që duhet për të arritur çift rrotullues shtrëngues të dëshiruar.

Kontrolloni momentin e shtrëngimit me një çelës rrotullues dore.

Nëse çift rrotullimi i shtrëngimit është shumë i lartë, zvogëloni kohën e goditjes.

Nëse momenti i shtrëngimit është i pamjaftueshëm, risni kohën e goditjes.

Vaji, papastërtia, ndryshku ose ndotës të tjerë në fije ose nën kokën e fiksesit do të ndikojnë në sasinë e çift rrotullues shtrëngues.

Çift rrotullimi i nevojshëm për të liruar një mbërthyes është mesatarisht 75% deri në 80% të çift rrotullimit shtrëngues, në varësi të gjendjes së sipërfaqeve të kontaktit.

Kryeni punë të lehta vidhoseje me një çift rrotullues shtrëngimi relativisht të ulët dhe përdorni një çelës rrotullues dore për shtrëngimin përfundimtar.

ZGJEDHJA E MËNYRËS SË FUNKSIONIMIT

Përpara se të ndryshoni modalitetin e funksionimit, prisni derisa pajisja të ndalojë plotësisht. Për të ndryshuar cilësimet, shtypni butonin . Shtypni butonin , WiFi për të ndryshuar vlerat e paracaktuara nëpërmjet aplikacionit ONE-KEY në smartphone tuaj.

ONE-KEY™

Për të mësuar më shumë rreth funksionalitetit ONE-KEY të këtij mjeti, shihni Udhëzuesin e hyrjes së Shpejtë të përfshirë ose na vizitoni në ueb www.milwaukeetool.com/one-key. Mund ta shkarkoni aplikacionin ONE-KEY në smartphon-in tuaj nëpërmjet App Store ose Google Play.

Nëse pajisja shqetësohet nga shkarkimet elektrostatike, ekrani i shpejtësisë LED do të fiket dhe shpejtësia nuk mund të rregullohet më. Në këtë rast, hiqni baterinë e këmbyeshme dhe baterinë e rumbullakët dhe futni sërish (shih faqen 6 dhe faqen 15).

Ndërhyrjet e shkarkuara nga shkarkimi elektroshtet do të ndërpresin gjithashtu komunikimin Bluetooth. Në këtë rast, lidhja Bluetooth duhet të rivendoset manualisht.

Ekрани ONE-KEY™

Blu e fortë	Lidhja me valë është aktive dhe mund të vendoset nëpërmjet aplikacionit ONE-KEY™.
Blu pulsuese	Mjeti po komunikon me aplikacionin ONE-KEY™.
E kuqe pulsuese	është kyçur për arsye sigurie dhe mund të zhbllkohet nga operatori nëpërmjet aplikacionit ONE-KEY™.

BATERI

Rikarikoni bateritë e ringarkueshme që nuk janë përdorur për një kohë të gjatë përpara përdorimit.

Një temperaturë mbi 50°C redukton performancën e baterisë. Shmangni ekspozimin e zgjatur ndaj diellit ose nxehtësisë.

Mbani të pastra kontaktet e lidhjes në portën e energjisë dhe baterinë e zëvendësueshme.

Për një jetëgjatësi optimale, bateritë duhet të ngarkohen plotësisht pas përdorimit.

Për të siguruar jetëgjatësinë më të gjatë të mundshme, bateritë duhet të hiqen nga karikuesi pas karikimit.

Kur e ruani baterinë për më shumë se 30 ditë:

Ruajeni baterinë në një vend të thatë në një temperaturë nën 27 °C.

Ruajeni baterinë në përafërsisht 30%-50% të gjendjes së karikimit.

Rimbushni baterinë çdo 6 muaj.

MBROJTJA NGA MBINGARKESA E BATATERISË

Nëse bateria është e mbingarkuar për shkak të konsumit shumë të lartë të energjisë, p.sh. çift rrotullues jashtëzakonisht të lartë, bllokimi të shpimit, ndalim i papritur ose qark i shkurter, mjeti elektrik zhurmon për 2 sekonda dhe fiket vetë.

Për ta ndezur sërish, lëshoni këmbëzën e çelësit dhe më pas ndizeni sërish.

Nën ngarkesa ekstreme, bateria mund të nxeht ndjeshëm. Në këtë rast bateria fiket.

Më pas futeni baterinë në karikues për ta ringarkuar dhe aktivizuar.

TRANSPORTI I BATERIVE LITIUM-JON

Bateritë litium-jon janë nën dispozitat ligjore për transportin e mallrave të rrezikshme.

Këto bateri duhet të transportohen në përputhje me kodet dhe rregulloret lokale, kombëtare dhe ndërkombëtare.

- Konsumatorët janë të lirë t'i transportojnë këto bateri në rrugë.
- Transporti tregtar i baterive litium-jon nga kompanitë e transportit të mallrave i nënshtrohet rregulloreve për transportin e mallrave të rrezikshme. Përgatitjet për dërgim dhe transport mund të kryhen vetëm nga persona të trajnuar siç duhet. I gjithë procesi duhet të shoqërohet në mënyrë profesionale.

Gjatë transportimit të baterive duhet të respektohen pikat e mëposhtme:

- Sigurohuni që kontaktet të jenë të mbrojtura dhe të izoluar për të parandaluar qarqet e shkurtra.
- Sigurohuni që paketa e baterisë të mos rreshqasë brenda paketimit.
- Bateritë e dëmtuara ose që rrjedhin nuk duhet të transportohen.

Kontaktoni kompaninë tuaj të transportit për më shumë informacion.

MIRËMBAJTJA

Udhëzimet e mirëmbajtjes mund të gjenden në aplikacionin ONE-KEY.

Përdorni vetëm pjesë shtesë dhe pjesë këmbimi të Milwaukee. Kërkojini një qendër të shërbimit Milwaukee të zëvendësojë çdo pjesë që nuk është përshkruar për zëvendësim (referojuni Broshurës së Garancisë/ Shërbimit).

Nëse kërkohet, një skicë e pajisjes mund të kërkohet nga qendra juaj e shërbimit ndaj klientit ose direkt nga Techtronic Industries GmbH,

-Eyth-Straße 10, 71364 Winnenden, Gjermani, duke treguar llojin e makinerisë dhe numrin gjashtëshifror në targën e karakteristikave.

SIMBOLE

	KUJDES! PARALAJMËRIM! RREZIK!
	Përpara se të filloni ndonjë punë në makineri, hiqni baterinë e këmbyeshme.
	Ju lutemi lexoni me kujdes udhëzimet për përdorim përpara përdorimit.
	Vishni doreza mbrojtëse!
	Mos e gëlltisni baterinë rumbullake!
	Bateritë e mvjetrabetura, pajisjet elektrike dhe elektronike nuk duhet të hidhen me mbeturinat shtëpiake. Bateritë e vjetra, pajisjet elektrike dhe elektronike duhet të mblidhen dhe asgjësohen veçmas. Bateritë e vjetra, pajisjet e vjetra elektrike dhe elektronike duhet të mblidhen dhe asgjësohen veçmas. Pyesni autoritetet lokale ose shitësin tuaj për qendrat e riciklimit dhe pikat e grumbullimit. Në varësi të rregulloreve lokale, shitësve me pakicë mund t'u kërkohet të marrin pa pagesë bateritë e përdorura dhe WEEE. Ndihmoni në reduktimin e nevojës për lëndë të para duke ripërdorur dhe ricikluar bateritë tuaja të vjetra dhe WEEE. Bateritë e mbeturinave (veçanërisht bateritë litium-jon), pajisjet elektrike dhe elektronike përmbajnë materiale të vlefshme, të riciklueshme, të cilat, nëse nuk hidhen në një mënyrë të përgjegjshme për mjedisin, mund të kenë një ndikim negativ në mjedis dhe në shëndetin tuaj. Fshini çdo të dhënë personale që mund të jetë në pajisjen tuaj të vjetër përpara se ta hidhni.
	Shpejtësia boshe e rrotullimit
	Tensioni
	Rrymë e vazhdueshme
	Shenja e konformitetit europian
	Marka Britanike e Konformitetit
	Shenja e konformitetit ukrainas
	Marka e Konformitetit Euroaziatik.

علامة التوافق البريطانية	
علامة التوافق الأوكرائية	
علامة التوافق الأوروبية الاسيوية	

نقل بطاريات الليثيوم

- تخضع بطاريات الليثيوم أيون لشروط قوانين نقل السلع الخطرة.
- ويجب نقل هذه البطاريات وفقاً للأحكام والقوانين المحلية والوطنية والدولية.
- يمكن للمستخدم نقل البطاريات براً دون الخضوع لشروط أخرى.
- بخضع النقل التجاري لبطاريات الليثيوم أيون عن طريق الغير إلى قوانين نقل السلع الخطرة. يتعين أن يقوم أفراد مدربون جيداً بالإعداد لعملية النقل والقيام بها بصحبة خبراء مثلهم.
- متى تُنقل البطاريات:
- عند التأكد من حماية أطراف توصيل البطارية وعزلها تجنباً لحدوث قصر بالدائرة.
- عند التأكد من حماية حزمة البطارية من الحركة داخل صندوق التعبئة.
- يُرَجَى عدم نقل البطاريات التي بها تشققات أو تسربات.
- يُرَجَى البحث مع شركة الشحن عن نصيحة أخرى

الصيانة

ارشادات الصيانة تجدونها في تطبيق ONE-KEY. استخدم فقط ملحقات ميلوكي وكذلك قطع غيار ميلوكي. إذا كانت المكونات التي يجب تغييرها غير مذكورة، يرجى الاتصال بأحد عملاء صيانة ميلوكي (انظر قائمة عناوين الضمان/الصيانة الخاصة بنا). عند الحاجة يمكن طلب رمز انفجار الجهاز بعد ذكر طراز الآلة والرقم السداسي المذكور على بطاقة طاقة الآلة لدى جهة خدمة العملاء أو مياثرة لدى شركة
 Techtronic Industries GmbH
 Max-Eyth-Straße 10
 71364 Winnenden
 ألمانيا

زومرلا

	تنبيه! تحذير! خطر!
	قم بإزالة حزمة البطارية قبل البدء في أي أعمال على الجهاز.
	يرجى قراءة التعليمات بعناية قبل بدء تشغيل الجهاز.
	ارتدِ القفازات!
	لا تبعل البطاريات الخلووية الزر!
	يحظر التخلص من البطاريات القديمة والأجهزة الكهربائية والإلكترونية القديمة سويماً مع القمامة المنزلية. يجب جمع البطاريات القديمة والأجهزة الكهربائية والإلكترونية القديمة والتخلص منها بشكل منفصل. أنزع البطاريات القديمة والمراكم القديمة والمصابيح من الأجهزة قبل التخلص منها. الرجاء الاستفسار لدى الجهات الرسمية في المكان أو لدى التجار المتخصصين عن مواقع إعادة الاستغلال ومواقع الجمع. وفقاً للوائح المحلية، قد يُطلب من تجار التجزئة استعادة البطاريات القديمة والأجهزة الكهربائية والإلكترونية القديمة مجاناً. ساهم في الحد من الحاجة إلى المواد الخام عن طريق إعادة استخدام البطاريات القديمة والأجهزة الكهربائية والإلكترونية القديمة الخاصة بك وإعادة تدويرها. تحتوي البطاريات القديمة (وعلى الأخص بطاريات أيون الليثيوم) والأجهزة الكهربائية والإلكترونية القديمة على مواد قيمة وقابلة لإعادة التدوير يمكن أن يكون لها آثار سلبية على البيئة وصحتك في حالة عدم التخلص منها على نحو يتماشى مع البيئة. قبل التخلص قم بمحو البيانات الشخصية التي قد تكون على جهازك القديم.
n_p	أقصى سرعة دون وجود حمل
V	الجهد الكهربائي
I	التيار المستمر
	علامة التوافق الأوروبية

البيانات الفنية	مفك براغي كهربائي اسلكي	M18 ONEFH1WF34	M18 ONEFH1WF12	M18 ONEFH1WP12
إنتاج عدد.....	4672 05 04... 000001-999999	4671 95 04... 000001-999999	4671 85 04... 000001-999999	4671 85 04... 000001-999999
	أقصى سرعة دون وجود حمل.....	0-800 min ⁻¹	0-550 min ⁻¹	0-950 min ⁻¹
	أقصى سرعة دون وجود حمل.....	0-1300 min ⁻¹	0-1400 min ⁻¹	0-1500 min ⁻¹
	أقصى سرعة دون وجود حمل.....	0-1800 min ⁻¹	0-1750 min ⁻¹	0-1800 min ⁻¹
	أقصى سرعة دون وجود حمل.....	0-1800 min ⁻¹	0-1750 min ⁻¹	0-1800 min ⁻¹
العزم max.....	1627 Nm	1356 Nm	1017 Nm	1017 Nm
الحد الأقصى لقطر المسامير / الصامولة	M33 (19 mm)	M33 (19 mm)	M24 (13 mm)	M24 (13 mm)
استقبال الآلة	18 V	18 V	18 V	18 V
قواطية البطارية	3,5 kg	3,3 kg	3,2 kg	3,2 kg
الوزن وفقا لنهج EPTA رقم 01/2014 (Ah 0, Ah 4, Ah 0) (3 ديسيل (١))	3,9 kg	3,7 kg	3,6 kg	3,6 kg
الوزن وفقا لنهج EPTA رقم 01/2014 (Ah 9,0) (3 ديسيل (١))	2402-2480 MHz	2402-2480 MHz	2402-2480 MHz	2402-2480 MHz
طاقق تردد البلوتوث (طاقات التردد).....	1,8 dBm	1,8 dBm	1,8 dBm	1,8 dBm
أقصى قدرة للتردد العالي	4.0 BT signal mode	4.0 BT signal mode	4.0 BT signal mode	4.0 BT signal mode
إصدار - البلوتوث	+50 °C	+50 °C	+50 °C	+50 °C
درجة حرارة الجو المحيط المنصوح بها عند العمل	M18B2, M18B4, M18B5, M18B6, M18B9	M18B2, M18B4, M18B5, M18B6, M18B9	M18B2, M18B4, M18B5, M18B6, M18B9	M18B2, M18B4, M18B5, M18B6, M18B9
طرز البطارية المنصوح به	M12-18C, M12-18AC, M12-18FC, M1418C6	M12-18C, M12-18AC, M12-18FC, M1418C6	M12-18C, M12-18AC, M12-18FC, M1418C6	M12-18C, M12-18AC, M12-18FC, M1418C6
أجهزة الشحن المنصوح بها				

معلومات الضوضاء/التهنئات

القيم التي تم قياسها محددة وفقا للمعايير الأوروبية EN 62841

مستويات ضوضاء الجهاز، ترجيحاً / بشكل نموذجي كالآتي:

مستوى ضغط الصوت (الارتباب في القياس = 3 ديسيل (١))

مستوى شدة الصوت (الارتباب في القياس = 3 ديسيل (١))

ارتد واقيات الأذن!

قيم التهنئات الإجمالي (مجموع الكميات الموجية في المحاور الثلاثة) محددة وفقا للمعايير الأوروبية EN 62841

قيمة انبعاث التهنئات (ah)

ربط أجزاء التثبيت لأقصى قدرة لآداة

الارتباب في القياس

تحذير!

تم قياس مستوى الاهتزاز وانبعاث الضوضاء الوارد في ورقة المعلومات هذه، وفقاً لاختبار قياسي محدد في المواصفة EN 62841، ويمكن استخدامه لمقارنة آلة مع أخرى.. كما يمكن استخدام تلك أيضاً في إجراء تقييم أولي للتعرض.

يمثل مستوى الاهتزاز وانبعاث الضوضاء المعلن عنه الاستخدامات الأساسية لآلاة ومع تلك، إذا استُعملت الآلة في استخدامات مختلفة، أو وملحقات مختلفة، أو تم صيانتها على نحو سيئ، فقد يختلف مستوى الاهتزاز وانبعاث الضوضاء. وهذا قد يزيد -إلى حد كبير- من مستوى التعرض خلال مدة العمل الإجمالية.

عند تقييم مستوى التعرض للاهتزاز والوضوضاء، ينبغي أيضاً أن يوضع في الاعتبار فترات إطفاء الآلة أو تشغيلها دون أن تقوم بأي وظيفة فعليًا. فهذا قد يقلل -إلى حد كبير- من مستوى التعرض خلال مدة العمل الإجمالية.

تعرف على تدابير السلامة الإضافية؛ لحماية المشغل من تأثيرات الاهتزاز أو الضوضاء أو كليهما، مثل: صيانة الآلة وملحقاتها، والحفاظ على يدين، والتنظيم نماذج العمل.

تحذير!

اقرأ جميع تحذيرات الأمان والتعليمات والصور والمواصفات الواردة مع هذه المعدة الكهربائية.
المخالفة في اتباع التعليمات المذكورة أسفله قد يكون نتيجتها صدمة كهربائية، حريق و/ أو إصابة بالغة.
احتفظ بجميع التحذيرات والتعليمات للرجوع إليها في المستقبل.

تحذيرات السلامة عند استخدام مفك البرغي:

ارتد واقيات الأذن. قد يسبب التعرض للضوضاء فقدان السمع.
يجب الإمساك بالآلة الكهربائية من خلال أسطح القبض المعزولة وذلك عند القيام بعمله ما حيث قد تلامس أداة التثبيت أسلاك مخفية.
إن ملامسة أدوات التثبيت للأسلاك الكهربائية "الموصلة" قد يجعل الأجزاء المعدنية المكشوفة من الآلة الكهربائية "موصلة للكهرباء" وبالتالي فقد يجعل المشغل عرضة لصدمة كهربية.

إرشادات امان وعمل إضافية

ارتد معدات الحماية الشخصية. ارتد دائماً النظارة الواقية. يعمل ارتداء معدات الحماية المناسبة، مثل قناع الحماية من الغبار أو الأحذية غير القابلة للتلزلق أو خوذة الوقاية و واقى السمع، على الحد من مخاطر الإصابة.

قد تكون الأثرية الناتجة عن استخدام هذه الآلة ضارة بالصحة. لا تستنشق هذه الأثرية. ارتد قناعاً واقياً من الأثرية مناسباً.

قم بتأمين القطعة المستخدمة من المواد في تجهيزه.

القطع المستخدمة من المواد مرنة يمكن أن تسبب في إصابات وأضرار حادة.

قم بإزالة حزمة البطارية قبل البدء في أي أعمال على الجهاز.

لا تتخلص من البطاريات المستعملة مع النفايات المنزلية أو بحرقها. يقدم موزع Milwaukee خدمة استعادة البطاريات القديمة لحماية البيئة.

لا تقم بتخزين البطارية مع الأشياء المعدنية (خطر قصر الدائرة)..

استخدم فقط شواحن System M18 لشحن بطاريات System M18. لاستخدم بطاريات من أنظمة أخرى.

لا تقم أبداً بفتح قفل البطارية والشواحن و لا تخزنهم إلا في غرف جافة. وحافظ عليها جاف طوال الوقت.

قد تسرب حامض البطارية من البطاريات التالفة في ظروف الحمل الزائد بدرجة كبيرة أو في درجات الحرارة الشديدة. في حالة ملامسة حامض البطارية اغسل يديك فوراً بالماء والصابون. في حالة ملامسة السائل للعينين اشطفهما جيدا لمدة 10 دقائق على الأقل واطلب العناية الطبية فوراً.

⚠ تحذير! يحتوي هذا الجهاز على بطارية ليثيوم خلية زر.

قد تتسبب البطارية الحديثة أو المستعملة في حدوث حروق داخلية بالغة وقد تؤدي إلى الوفاة في أقل من ساعتين، وذلك في حالة ابتلاعها أو مدخولها إلى الجسم. آمن دائماً غطاء حيز البطارية. وفي حالة عدم إغلاقه بإحكام، أطفأ الجهاز وقم بنزع البطارية واحتفظ بها بعيداً عن متناول الأطفال. إذا كنت تعتقد أنه تم ابتلاع بطارية أو أن تكون دخلت إلى الجسم، أفصد الطبيب فوراً للحصول على المساعدة الطبية.

تحذير! تجنب أخطار الحريق أو الإصابة أو الإضرار بالمنتج التي تنجم عن الماس الكهربائي، لا تعفر الآداة أو البطارية المثبتة للاستبدال أو جهاز الشحن في السوائل وأحرص على أن لا تصل السوائل إلى داخل الجهاز والبطارية. السوائل المؤدية للتآكل أو الموصلة للتيار الكهربائي، مثل الماء المالح ومركبات كيميائية معينة ومواد التبييض أو المنظفات التي تشتمل على مواد تبيض، يمكن أن تؤدي إلى حدوث ماس كهربائي.

شروط الاستخدام المحددة

يمكن استخدام مفتاح ربط بدون وصلة لربط وفك المسامير والصواميل عند عدم توفر التوصيل الكهربى. لا تستخدم هذا المنتج بأي طريقة أخرى غير مصرح بها للاستخدام العادي.

إعلان المطابقة - الاتحاد الأوروبي

موجب هذا نقر نحن كشركة منتجة على مسؤوليتنا المفردة، أن المنتج الموصوف تحت "البيانات الفنية" يتطابق مع جميع التعليمات الهامة للمعايير

2011/65/EU(RoHS), 2014/53/EU, 2006/42/EG

ومع مستندات التوافق المعياري التالية::

EN 62841-1:2015
EN 62841-2-2:2014
EN IEC 55014-1:2021
EN IEC 55014-2:2021
EN 62479:2010
EN 301 489-1 V2.2.3q
EN 301 489-17 V3.1.1
EN 300 328V2.2.2
EN IEC 63000:2018

Winnenden, 2022-11-01


Alexander Krug
Managing Director

معمدة للمطابقة مع الملف الفني

Techntron Industries GmbH
Max-Eyth-Straße 10
Winnenden 71364
Germany

تشغيل

إرشاد: من المنصوح به، مراجعة شد عزم الدوران دائماً باستخدام مفتاح عزم الدوران.

يُنظر شد عزم الدوران بعهد كبير من العوامل، بما فيها العوامل التالية.

حالة شحن البطارية - إذا فرغت البطارية، ينخفض الجهد ويقل بالتالي شد عزم الدوران. عند الدورات - إن استخدام الآداة بسرعة منخفضة يؤدي إلى شد بعزم دوران منخفض.

موضع التثبيت - الطريقة والأسلوب التي تمسك بها الآداة أو عنصر التثبيت، تؤثر على شد عزم الدوران.

لقمة التنوير/ التثبيت - إن استخدام لقمة تنوير أو تركيب بحجم خاطئ أو استخدام مستلزمات غير مقبولة للوصامات يحد من شد عزم الدوران.

استخدام مستلزمات وأدوات تمديد- تبعا للمستلزم أو أداة الدم يمكن الحد من شد عزم دوران مفك التثبيت الضاغط.

المسامير القلاوظ/الصمولة - شد عزم الدوران قد يتتبع تبعاً لقطر وطول ودرجة صلابة المسامير والقلاوظ/الصمولة.

- حالة أدوات التثبيت - إن عناصر التثبيت التي بها صدأ والجافة أو التي عليها زيوت يمكن أن تؤثر على شد عزم الدوران.
- الأجزاء التي يجب تركيبها - صلابة الأجزاء التي يجب تركيبها وكل جزء بينها (جاف أو عليه زيوت، لين أو صلب، قرص، سداة إحكام أو قرص بيني) يمكن أن يؤثر على شد عزم الدوران.

تفكيه التركيب

كلما تم التحميل على الخابور أو المسامير القلاوظ أو الصمولة بشكل أطول، كلما تم شداها بشكل أقوى.

لتجنب الإضرار بمواد التثبيت أو أجزاء العمل تجنب التنوير بشكل أكثر من اللازم.

أحذر بشكل خاص، إذا قمت بالتأثير على مواد تثبيت صغيرة. لأنها تحتاج إلى دورات أقل، لكي يتم الوصول إلى شد عزم دوران مناسب.

تدريب على عناصر تثبيت متنوعة ولاحظ الوقت الذي تحتاجه، لكي تصل إلى شد عزم الدوران المرغوب فيه.

راجع شد عزم الدوران باستخدام مفتاح يدي لقياس عزم الدوران.

إنما كان شد عزم الدوران عاليًا، قم بخفض فترة الدوران.

إنما كان شد عزم الدوران غير كافي، قم بزيادة فترة الدوران.

الزيت والتلوث والصدأ أو أي تلوئثات أخرى على القلاوظ أو أسفل رأس مواد التثبيت تؤثر على ارتفاع شد عزم الدوران.

عزم الدوران اللازم لفك مادة تثبيت يبلغ في المتوسط 75% إلى 80% من شد عزم الدوران، ويتوقف ذلك على حالة سطح التلامس.

قم باجراء أعمال التركيب الخفيفة باستخدام شد عزم دوران ضئيل نسبياً وللتشد النهائي استخدم مفتاح يدي لقياس عزم الدوران.

اختيار نوع التشغيل

قبل تغيير نوع التشغيل انتظر حتى يتوقف الجهاز تماماً عن الحركة. لتغيير الضبط أضغط على الزر . أضغط على زر وإيرس لأن  لكي تغير القيم المضبوطة عن طريق التطبيق ONE-KEY على الهاتف النكي الخاص بك.

™ONE-KEY

لمعرفة المزيد عن وظائف ONE-KEY الخاصة بهذا الجهاز، إقرأ دليل الاستخدام السريع المرفق أو قم بزيارتنا على الإنترنت تحت عنوان www.milwaukeeetool.com/one-key. يمكنك تنزيل التطبيق ONE-KEY على هاتفك النكي عن طريق متجر التطبيقات اب ستور أو جوجل بلاي.

إنما حدث اضطراب في الجهاز من خلال التنوير الكهربائي للثحنات الكهروستاتيكية، تنظف لمبة إشارة السرعة آل أي دي ولا يمكن التحكم بعد في السرعة. في هذه الحالة يجب نزع البطارية والبطارية الفرض ووضعهما في الجهاز مرة أخرى (أنظر صفحة 6 وصفحة 15).

الإضطرابات الناتجة عن التنوير الكهربائي للثحنات الكهروستاتيكية تؤدي أيضاً إلى انقطاع اتصالات البلوتوث. في هذا الحالة يجب إعادة اتصال البلوتوث يدوياً مرة أخرى.

إشارة™ONE-KEY

الإضاءة الزرقاء الاتصال الأسلكي في حالة نشاطويمكن ضبطه عن طريق تطبيق الاستخدام™ONE-KEY.

الوميض الأزرق الأداة تتواصل مع تطبيق الاستخدام™ONE-KEY.

الوميض الأحمر لأسباب السلامة تم تعطيل الآداة ويمكن إزالة العطل من المستخدم عن طريق تطبيق الاستخدام™ONE-KEY.

البطاريات

يجب إعادة شحن البطارية غير المستخدمة لفترة قبل الاستخدام.

تقلل درجات الحرارة التي تتجاوز 50°سليزيوس (122°فهرنهايت) من أداء البطارية. تجنب التعرض الزائد للحرارة أو أشعة الشمس (خطر التسخين)..

يجب الحفاظ على محتويات الشواحن و البطاريات نظيفة.

للحصول على فترة استخدام مثالية، يجب شحن البطاريات تماماً، بعد الاستخدام.

للحصول على أطول عمر ممكن للبطارية، انزع البطارية من الشاحن بمجرد شحنها تماماً.

لتخزين البطارية أكثر من 30 يوم:

خزن البطارية بحيث تكون درجة الحرارة أقل من 27° سليزيوس وبعينا عن أي رطوبة
خزن البطارية مشحونة بنسبة تتراوح بين30- 50 %
اشحن البطارية كاملتها، وذلك كل ستة أشهر من التخزين.

حماية البطارية

في المواقف التي يكون فيها عزم الدوران عالٍ بشدة، وإعاقة الحركة والتباطؤ والقصور في الدائرة الكهربائية الذي ينتج عنه سحب أقد كبير من التيار الكهربائي، ستمتد الآلة لمدة 2 ثانية ثم تتوقف عن العمل.

لإعادة الضبط، حرر الزناد.

في الظروف القصوى للعمل، قد ترتفع درجة حرارة البطارية الداخلية بشدة. إذا ما حدث ذلك، ستوقف البطارية عن العمل.

Copyright 2022

Techtronic Industries GmbH
Max-Eyth-Str. 10
71364 Winnenden
Germany

+49 (0) 7195-12-0

www.milwaukeeeetool.eu

Techtronic Industries (UK) Ltd
Parkway
Marlow, SL7 1YL
UK



**EAC UK
CA**

(11.22)

4931 4149 36