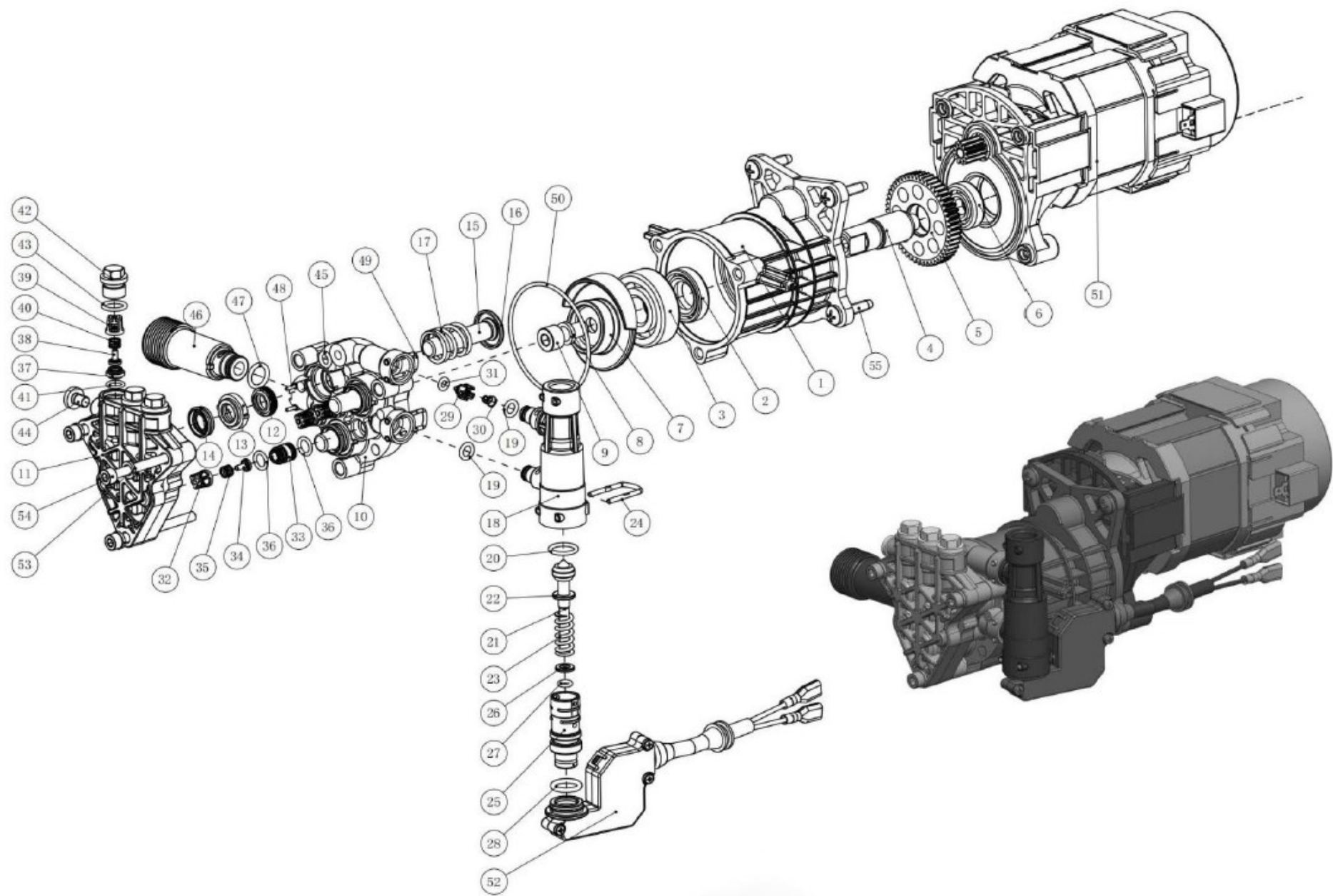


REPW 130 SET			
Pozice	Obj.číslo	Popis	Počet
1	LT707.2-3	HANDLE COVER	1
2	LT407-4A	Handle	1
3	LT301-4	UPPER GUN HOLDER	1
4	LT301-5	Power cable hook	1
5	LT407-2	Front Housing	1
6	LT303-1	Switch Knob	1
7	LT407-3	Decorative plate of front case	1
8	LT601-15	Upper press plate	1
9	LT301.3-3	Button	1
10	GB/T 845	SCREW ST4.8X20	2
11	mp101-88c-A	MP 101-88 motor pump assy	1
12	LT301.4	QC02 water inlet connector & filter	1
13	LT601-16	Lower press plate	1
15	LT301-6	Rating Label	1
16	GB/T 845	SCREW ST3.5X13F	6
17	LT301.6-3	Power Cable Pressplate	1
18	LT301.6-2	Power Cable Jacket	1
19	LT301.6-1	Power cable	1
20	LT501.3-1	WHEELS	2
21	LT504.3-1	Wheel cover	2
22	LT407-1	Back Housing	1
23	LG30.2	Extension Wand	1
24	LG30.3	Adjustable Nozzle	1
25	LT201-4	high pressure hose HOLDER	1
26	LG30.1	Gun	1
27	LT601-22	Hole plug for hose	1
28	LT301-7	Warning Label	1
29	LT407-5	Water baffle	1
30	GB/T 845	SCREW ST4.8X16	14
31	LT505-7	Hose hook	1
32	REPW130-32	G30 Turbo nozzle	1



Pozice	Obj.číslo	Popis	Počet
1	LTP10Y-1	Cylinder	1
2	GB/T13871.1	Oil Seal	1
3	GB/T276	Bearing	1
4	LTP10Y-3	Gear Shaft	1
5	LTP10Y-4	Big Gear	1
6	GB/T276	Ball Bearing	1
7	LTP106Y-2	Swash Plate	1
8	GB/T 93-1987	Spring Washer Φ 8	1
9	GB/T 70.1	Bolt M8*20	1
10	LTP10-5	Pump Body	1
11	LTP10-3	Pump Cover	1
12	LTP10-10	Plunger Oil Seal	3
13	LTP10-1	Water Seal Bracket	3
14	LTP10-11	Water Seal	3
-	LTP10.5	Plunger Assembly	3
15	LTP10-2	Hollow Plunger	1
16	LTP10-7	Plunger Plate	1
17	LTP10-6	Plunger Spring	1
-	LTP10.4	Outlet Pipe Assembly	1
18	LTP103.4-5	Outlet Pipe	1
19	GB/T 3452.1	O-Ring 5.5X2	2
20	GB/T 3452.1	O-Ring 12X2	1
21	LTP10.4-2	Relief Valve	1
22	LTP10.4-7	Limit Ring	1
23	LTP10.4-6	Relief Valve Spring	1
24	LTP10-9	U-Pin 15X26X25	1
25	LTP10.4-3	Relief Valve Plug	1
26	LTP10.4-4	Relief Valve Gasket	1
27	GB/T 3452.1	O-Ring 4.5X1_8	1
28	GB/T 3452.1	O-Ring 12X2.5	1
-	LTP10.3	Check Valve Assembly	1
29	LTP10.3-1	Check Valve Spool	1
30	LTP10.3-2	Back Pressure Valve Spring	1
31	GB/T 3452.1	O-Ring 3.5X1.9	1
-	LTP10.1	Water Inlet Check Valve Assembly	3
32	LTP10.2-5	Water Inlet Check Valve Bracket	1
33	LTP10.1-1	Inlet Check Valve Base	1
34	LTP10.2-4	Check Valve Spool	1
35	LTP10.2-2	Checking Valve Spring	1
36	GB/T 3452.1	O-Ring 6.5X1.8	2
-	LTP10.2	Outlet Check Valve Assembly	3
37	LTP10.2-1	Outlet Check Valve Base	1
38	LTP10.2-4	Check Valve Spool	1
39	LTP10.2-3	Checking Valve Bracket	1

40	LTP10.2-2	Checking Valve Spring	1
41	GB/T 3452.1	O-Ring 7X1.5	1
42	LTP10-4	Check Valve Plug	3
43	GB/T 3452.1	O-Ring 9.5X1.8	3
44	GB/T 818	Bolt M6*8	1
45	GB/T 3452.1	O-Ring 5.5X2	1
46	LTP10-8	Inlet Pipe_64	1
47	GB/T 3452.1	O-Ring10X2.2	1
48	LTP10-9	U-Pin 12_4X20X1_8	1
49	LTP10-9	U Pin_10X18X2	2
50	GB/T 3452.1	O Ring 58X2	1
51	8850H	8850H Motor	1
52	LTP10K	Micro Switch_150	1
53	GB/T 93-1987	Gasket Φ 6	3
54	GB/T 70.1	Bolt M5X55	3
55	GB/T 845	Bolt St5.5X25	4