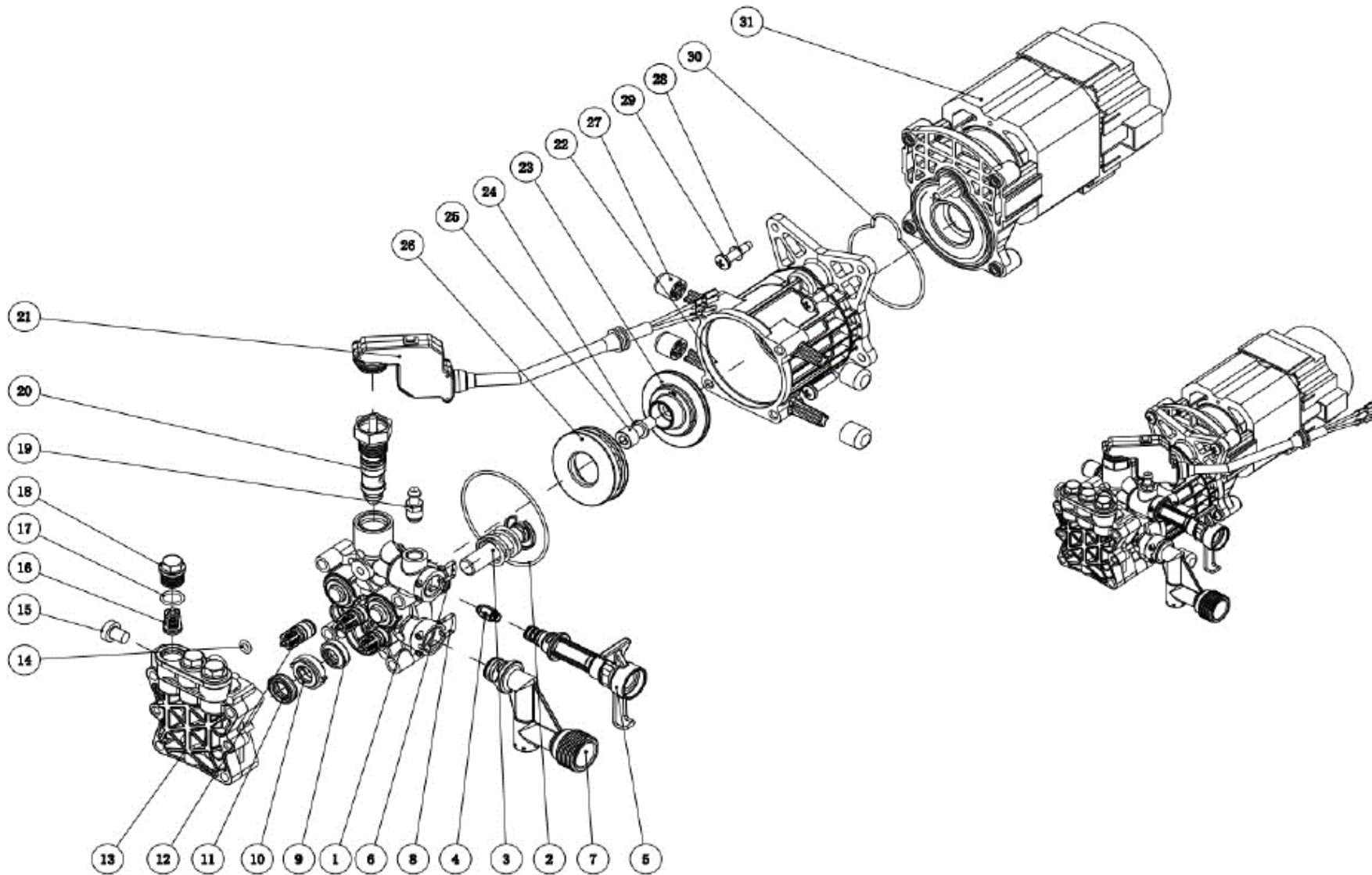


REPW 180 RC SET			
Pozice	Obj.číslo	Popis	Počet
1	REPW180RC-01	Back case	1
2	REPW180RC-02	Hole plug of high pressure hose	1
3	REPW180RC-03	Locking plate of the telescopic handle	1
4	REPW180RC-04	Latch spring	1
5	REPW180RC-05	Screw St3.5*13F	17
6	REPW180RC-06	Pressing plate of cable	1
7	REPW180RC-07	Warning label	1
8	REPW180RC-08	Button of the hose hole plug	1
9	REPW180RC-09	Power cable sleeve	1
10	REPW180RC-10	Fan cover cap	1
11	REPW180RC-11	Cable hook	1
12	REPW180RC-12	Filter net	1
13	REPW180RC-13	Switch box holder	1
14	REPW180RC-14	Main switch	1
15	REPW180RC-15	Main switch holder	1
16	REPW180RC-16	Switch lever	1
17	REPW180RC-17	Capacitor 0.33uf	1
18	REPW180RC-18	Touch FPC	1
19	REPW180RC-19	O-ring 8*2/80HS	1
20	REPW180RC-20	Inductor 10UH	2
21	REPW180RC-21	Innver cover of contact switch	1
22	REPW180RC-22	Valve core assy	1
23	REPW180RC-23	Screw M6*20	1
24	REPW180RC-24	D6 flat washer	1
25	REPW180RC-25	Main switch cover	1
26	REPW180RC-26	Pin reel joint	2
27	REPW180RC-27	Valve sleeve	1
28	REPW180RC-28	Reel wheel	2
29	REPW180RC-29	Hose clamp	1
30	REPW180RC-30	Wheel axle sleeve	1
31	REPW180RC-31	Guide part of hose	1
32	REPW180RC-32	Reel bracket-right side	1
33	REPW180RC-33	Reel handle	1
34	REPW180RC-34	Reel rocker	1
35	REPW180RC-35	Decorative cover	1
36	REPW180RC-36	Label for digital buttons	1
37	REPW180RC-37	Inlet filter	1
38	REPW180RC-38	Cover plate of outlet hole	1
39	REPW180RC-39	Front cover holder	1
40	REPW180RC-40	Front cover	1
41	REPW180RC-41	Reel bracket-left side	1
42	REPW180RC-42	On-Off switch	1
43	REPW180RC-43	Button #1	1

44	REPW180RC-44	Button#2	1
45	REPW180RC-45	Button#4	1
46	REPW180RC-46	Button#3	1
47	REPW180RC-47	Touch pad	1
48	REPW180RC-48	Relief valve gasket	2
49	REPW180RC-49	Screw ST3.5*9	2
50	REPW180RC-50	Outlet sheath	1
51	REPW180RC-51	Fan cover plate	1
52	REPW180RC-52	Remote control transmitter FPC	1
53	REPW180RC-53	Water inlet sensor assembly	1
54	REPW180RC-54	Upper fixing bracket	1
55	REPW180RC-55	Screw PT Torx10 K30X1.27X6	4
56	REPW180RC-56	PCB board	1
57	REPW180RC-57	High pressure hose	1
58	REPW180RC-58	Temperature control cable	1
59	REPW180RC-59	Screw ST4.8*25	4
60	REPW180RC-60	PA-B for motor	1
61	REPW180RC-61	76 outlet sheath	3
62	REPW180RC-62	Pump holder	1
63	REPW180RC-63	Screw M6*16	2
64	REPW180RC-64	Bumper	2
65	REPW180RC-65	96K fan cover bottom filter	1
66	REPW180RC-66	Motor-pump assy	1
67	REPW180RC-67	Gun holder	1
68	REPW180RC-68	9660k fan cover	1
69	REPW180RC-69	Bottom fixing bracket	1
70	REPW180RC-70	Power cable with plug	1
71	REPW180RC-71	Wheel axle	1
72	REPW180RC-72	Soap bottle cap	1
73	REPW180RC-73	In-line soap bottle	1
74	REPW180RC-74	WHeel	2
75	REPW180RC-75	Wheel cover	2
76	REPW180RC-76	Flat washer	2
77	REPW180RC-77	Shaft retainer ring D15	2
78	REPW180RC-78	Detergent pipette	1
79	REPW180RC-79	Nameplate	1
80	REPW180RC-80	Nozzel assy	1
81	REPW180RC-81	Gun bracket	1
82	REPW180RC-82	Gun bracket	1
83	REPW180RC-83	Conduit of telescopic handle	2
84	REPW180RC-84	Accessories holder	1
85	REPW180RC-85	Extension wand assy	1
86	REPW180RC-86	String bag	1
87	REPW180RC-87	Gun	1
88	REPW180RC-88	Telescopic handle	2

89	REPW180RC-89	Screw M6*42	2
90	REPW180RC-90	Nut M6	2
91	REPW180RC-91	Handrail	1
92	REPW180RC-92	Screw ST4.8*16	36
93	REPW180RC-93	Handrail cover	1
94	REPW180RC-94	Cleaning pin	1
95	REPW130-32	G30 Turbo nozzle	1



Pozice	Obj.číslo	Popis	Počet
1	MP153A2-1	Pump body	1
2	MP153A2-2	O-ring 66*2	1
3	MP153A2-3	Piston	3
4	MP153A2-4	Back pressure valve assy	1
5	MP153A2-5	Outlet hose	1
6	MP153A2-6	U Pin 11.5*25*2.3	1
7	MP153A2-7	Inlet hose	1
8	MP153A2-8	U Pin 14*25*2.3	1
9	MP153A2-9	Plunger oil seal 12*20*5	3
10	MP153A2-10	Water seal bracket	3
11	MP153A2-11	Water seal 12*20*5.2	3
12	MP153A2-12	Inlet checking valve assy	3
13	MP153A2-13	pump cover	1
14	MP153A2-14	O-ring 5.5*2	1
15	MP153A2-15	Bolt	1
16	MP153A2-16	Outlet checking valve assy	3
17	MP153A2-17	O-ring 10.6*1.8	3
18	MP153A2-18	Checking valve cap	3
19	MP153A2-19	Siphon nozzle	1
20	MP153A2-20	Relief valve assy	1
21	MP153A2-21	On-off switch assy	1
22	MP153A2-22	Oil cylinder assy	1
23	MP153A2-23	Swash plate	1
24	MP153A2-24	Gasket 8	1
25	MP153A2-25	Bolt M8*20	1
26	MP153A2-26	Bearing 51107B	1
27	MP153A2-27	Damping ring	4
28	MP153A2-28	Gasket	4
29	MP153A2-29	Bolt ST5.5*25	4
30	MP153A2-30	Seal ring	1
31	MP153A2-31	Motor	1