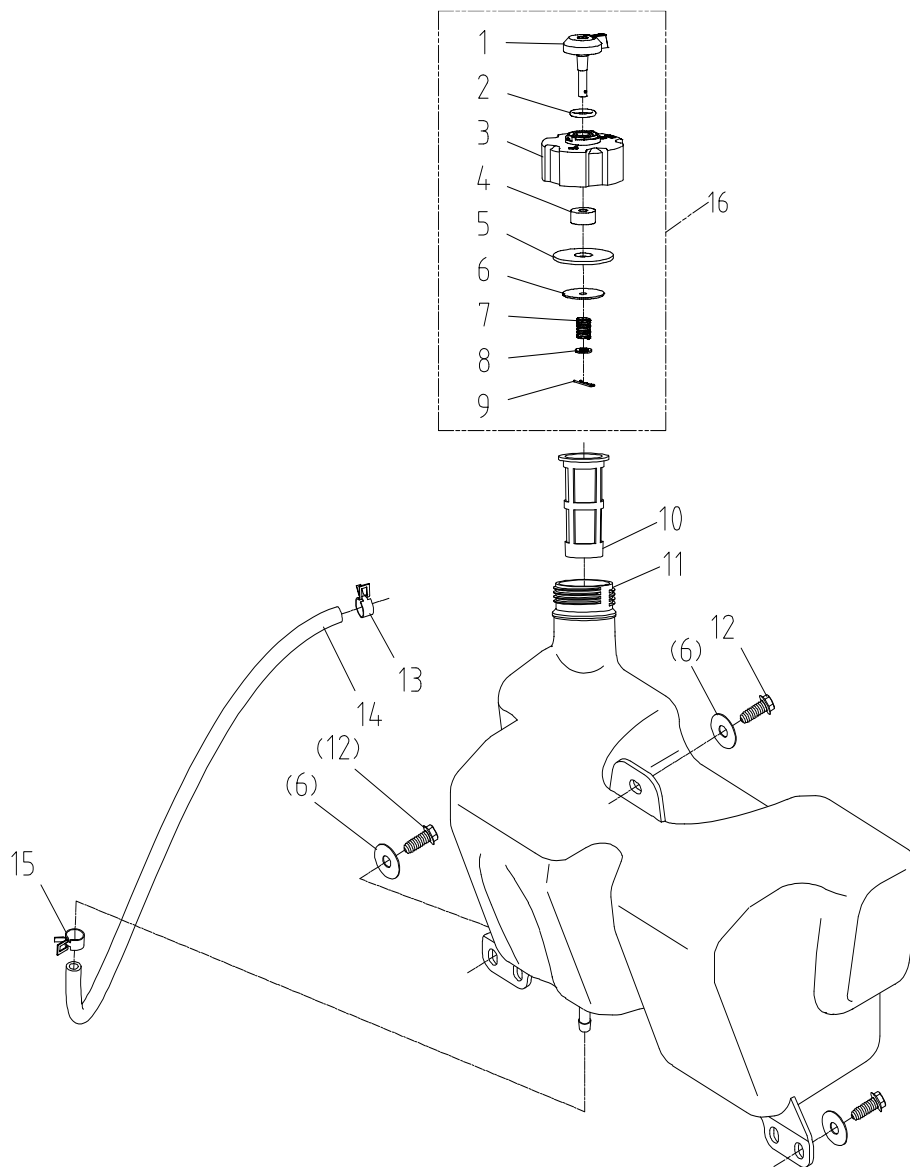
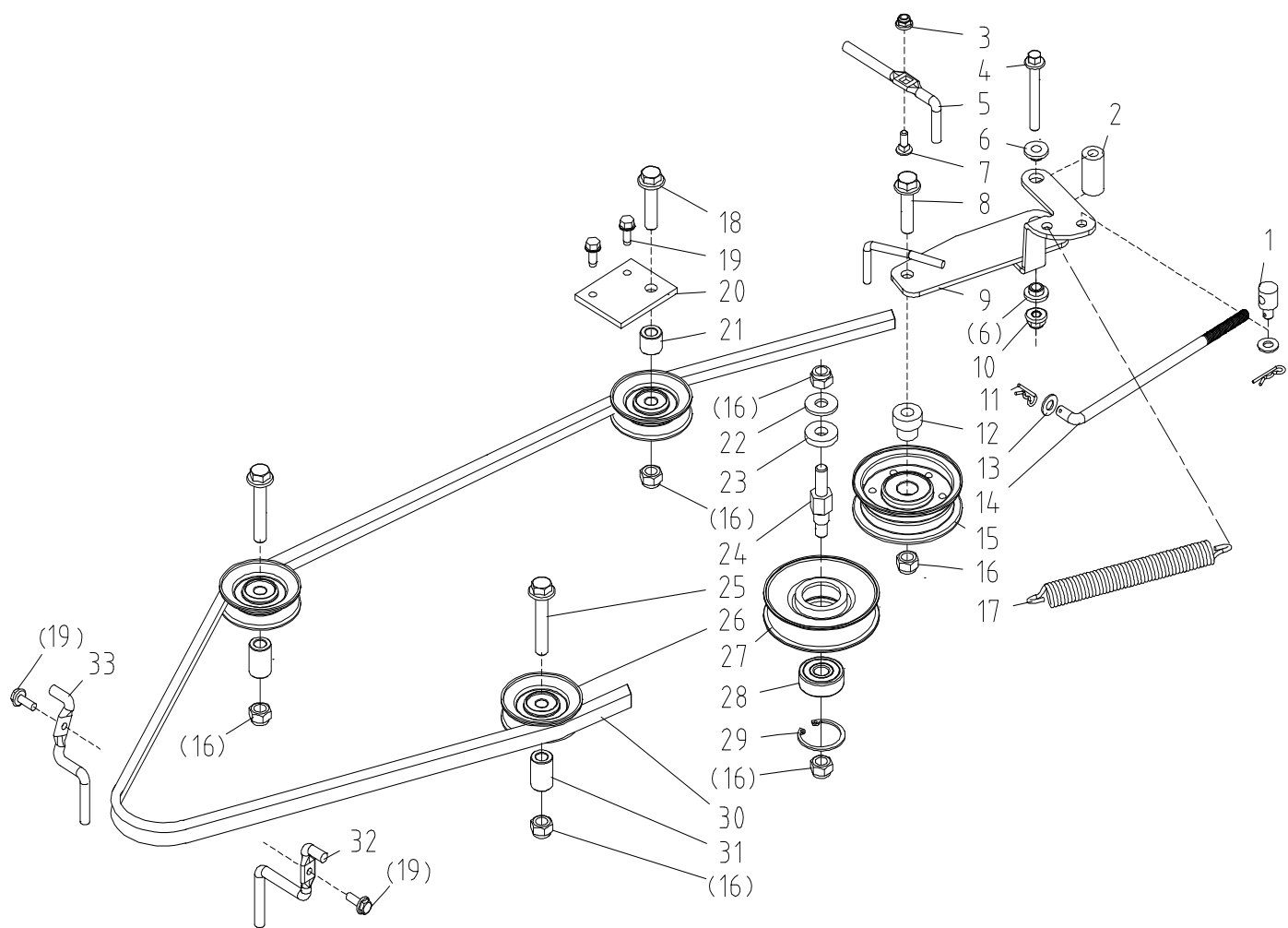


Pozice	Obj.číslo	Popis	Počet
1	20084362	CHOKE KNOB	1
2	20051803	SCREW M4×16	2
3	20061531	WASHER 4	2
4	20071241	THROTTLE CABLE	1
5	20071183	ENGINE	1
6	20061285	TAPPING SCREW 3/8"-16-1 1/4"	4
7	20070519	FLAT KEY 6.35×30	1
8	20070850	Engine pulley weldment	1
9	20088530	SUPPORT	1
10	20082800	Tapping screw M6*16	10
11	20085206	Electric clutch	1
12	20085758	Clutch Step Bushing	1
13	20061455	Spring washer 7/16"	1
14	20062410	BOLT, 7/16"-20- 3",UNF	1
15	20085121	Clutch clamp plate	1
16	20061348	FLANGE LOCK NUT M8	2
17	20085757	Clutch baffle (small bin)	1
18	20061299	BOLT M8×20	2
19	20074428	EXHAUST PIPE	1
20	20060850	SCREW 5/16"-18 -3/4"	3
21	20061453	Spring washer 5/16"	3
22	20061431	WASHER 8	1
23	20070868	GASKET	1

24	20071214	MUFFLE	1
25	20084296	BRACKET	1
26	20061541	BIG WASHER 8	2
27	20082799	FLANGE BOLT 5/16-18TX3/4	2
28	20061346	FLANGE LOCK NUT M6	2
29	20071219	FRONT SHIELD	1
30	20061539	BIG WASHER 6	2
31	20061184	BOLT M6×16	2

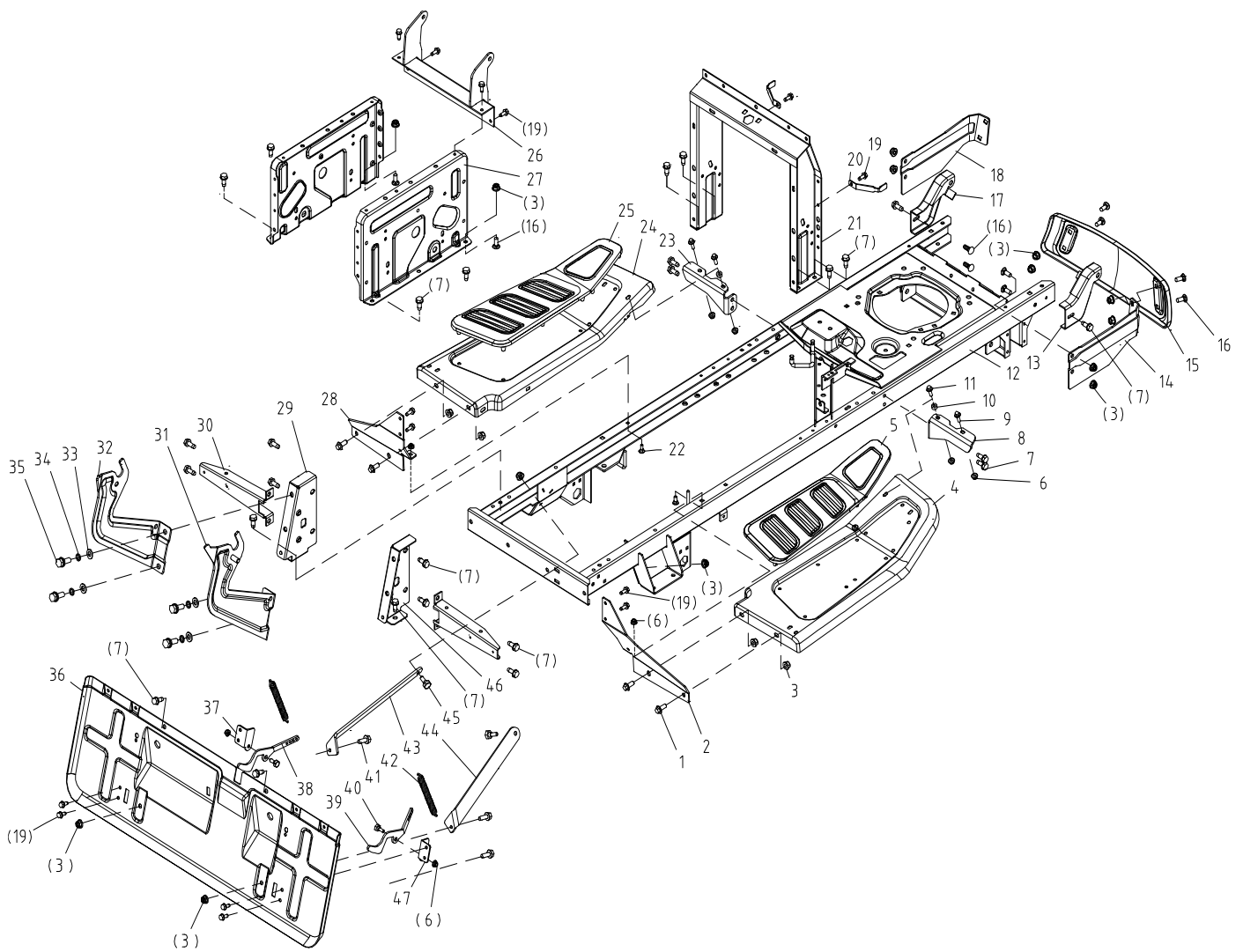


Pozice	Obj.číslo	Popis	Počet
1	20059754	FUEL TANK CAP LEVER	1
2	20071493	O RING	1
3	20059760	FUEL TANK CAP	1
4	20059763	FUEL TANK CAP FILTER	1
5	20071494	FUEL TANK CAP SEAL	1
6	20071676	GASKET 6×25×1.5	4
7	20059764	FUEL TANK CAP SPRING	1
8	20061445	WASHER 5	1
9	20059765	SPLIT PIN	1
10	20059766	FILTER CAP	1
11	20071228	FUEL TANK	1
12	20082800	Tapping screwM6*1	3
13	20062744	CLIP ϕ 10	1
14	20070865	FUEL HOSE	1
15	20071161	CLIP ϕ 10	1
16	20071747	FUEL TANK CAP ASY	1



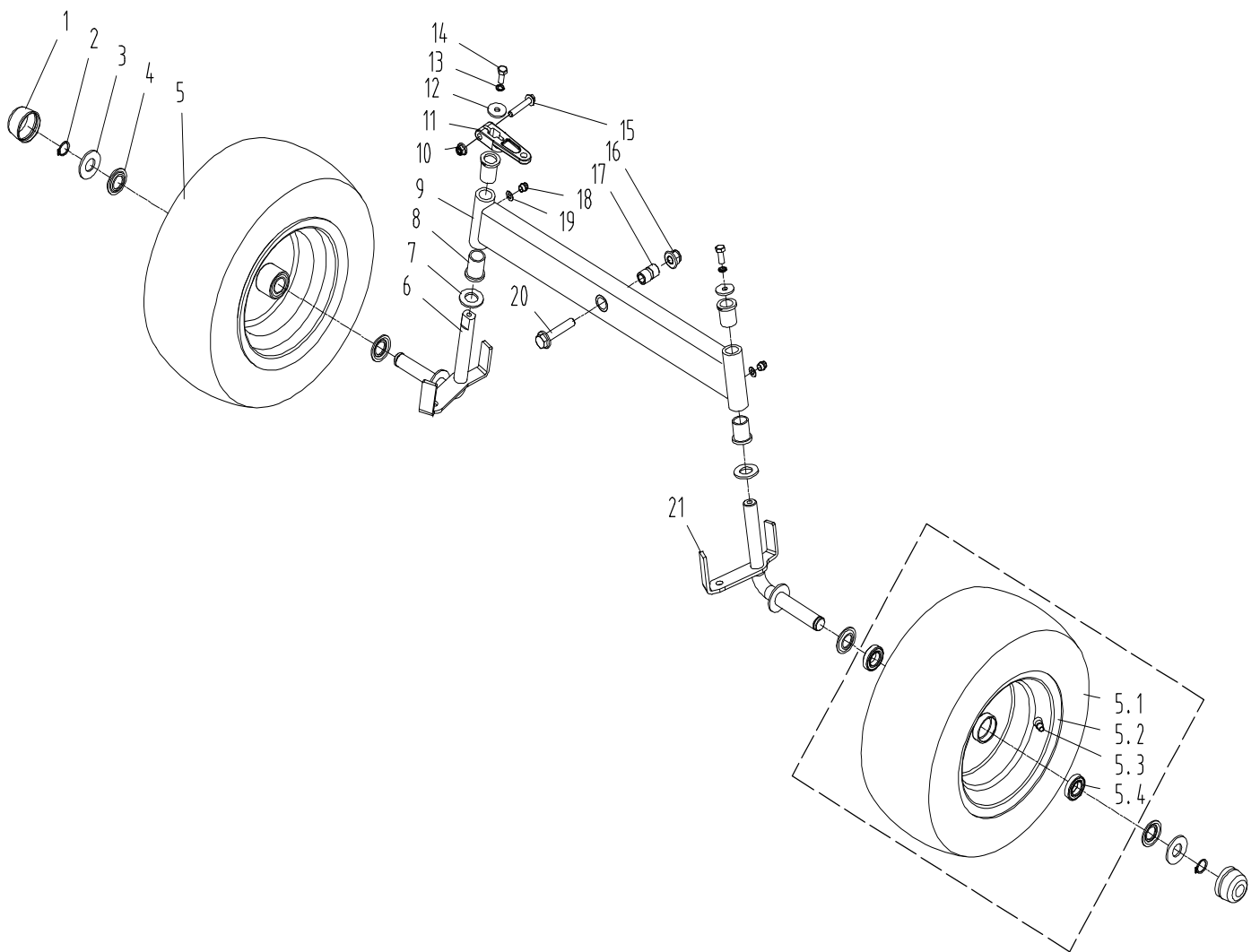
Pozice	Obj.číslo	Popis	Počet
1	20070581	GEAR SHIFT PIN	1
2	20084436	SPACER $\varnothing 8 \times \varnothing 18 \times 33$	1
3	20061385	Hexagon flange lock nut M6	1
4	20061275	FLANGE BOLT M8×60	1
5	20084713	LEFT FRONT BELT GUIDE	1
6	20070780	Bushing	2
7	20061289	Bolt M6X16	1
8	20062521	FLANGE BOLT M10×1.25×40	1
9	20084440	DRIVING TENSION ARM WELDMENT	1
10	20061336	FLANGE NUT M8	1
11	20070576	SPRING PIN	2
12	20071180	TENSION PULLEY BUSHING	1
13	20062716	Washer 8	2
14	20084710	LINKED PUTTER	1
15	20071213	TENSION PULLEY	1
16	20061403	LOCK NUT M10×1.25	6
17	20070875	Traveling tension spring	1
18	20061321	FLANGE BOLT M10×1.25×45	1
19	20082800	Tapping screw M6*16	4
20	20084715	GUIDE PULLEY BASE PLATE	1
21	20084712	LEFT FRONT GUIDE PULLEY CUSHION SLEEVE	1
22	20061542	BIG WASHER 10	1
23	20062499	Washer $\varnothing 27 \times \varnothing 10.5 \times 5$	1
24	20084441	Tensioning wheel bolt	1
25	20062515	FLANGE BOLT M10×1.25×50	2
26	20071208	DRIVING GUIDE PULLEY	3
27	20070536	TENSION PULLEY	1

28	20061626	BEARING 6301-2RS	1
29	20061549	SNAP RING 37	1
30	20084444	V belt LG4-1050, HA2645	1
31	20084442	GUIDE PULLEY CUSHION SLEEVE	2
32	20084716	RIGHT BELT GUIDE	1
33	20084709	LEFT BELT GUIDE	1

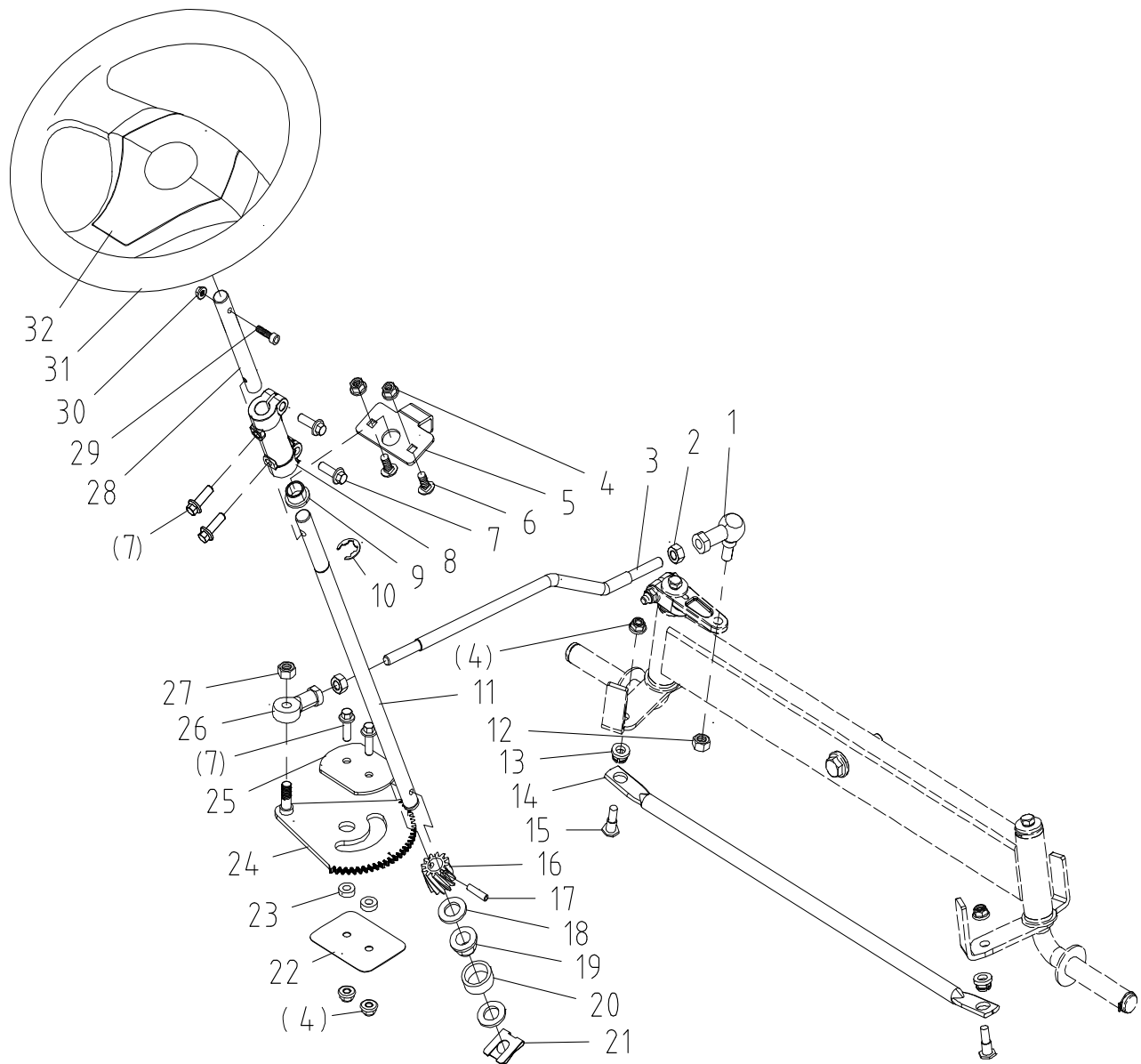


Pozice	Obj.číslo	Popis	Počet
1	20061274	FLANGE BOLT M8×20	4
2	20084428	Right foot step suspension plate	1
3	20061348	FLANGE LOCK NUT M8	18
4	20084430	Right pedal	1
5	20084393	Foot pad right	1
6	20061385	Hexagon flange lock nut M6	8
7	20082799	FLANGE BOLT 5/16-18TX3/4	26
8	20084427	Foot forward support right	1
9	20061201	FLANGE BOLT M6×16	2
10	20070916	BUSHING	2
11	20061196	FLANGE BOLT M6×25	2
12	20088080	Frame Welldment	1
13	20084375	Right side of hood bracket	1
14	20088534	Collision bar extension right	1
15	20085086	bumper	1
16	20061299	BOLT M8×20	10
17	20084403	Left side of hood bracket	1
18	20088532	Collision bar extension left	1
19	20082800	Tapping screwM6*16	14
20	20084384	Pillar rear cover support plate	2
21	20084401	Column frame welding parts	1
22	20061289	Bolt M6X16	2
23	20084422	Foot forward support left	1
24	20084429	Left pedal	1

25	20084388	Foot pad left	1
26	20084417	Seat font crossbeam weldment	1
27	20084399	Side standing plate	2
28	20084414	Left foot step suspension plate	1
29	20084396	Left side of trapezoidal connecting plate weldment	1
30	20084385	Rear baffle bracket	2
31	20084420	Rotaing bracket right weldment	1
32	20084419	Rotaing bracket left weldment	1
33	20061513	WASHER 10	4
34	20061471	SPRING WASHER 10	4
35	20061316	Hexagonal head bolt M10x1.5x30, GB/T5783	4
36	20084387	Tailgate	1
37	20084390	Pull hook seat left	1
38	20085354	Hook L	1
39	20087837	Hook R	1
40	20070649	Pin screw M6	2
41	20061298	FLANGE BOLT M8×25	2
42	20070645	Straw bag buckle tension spring	2
43	20084418	Rear strut left	1
44	20084412	Rear strut right	1
45	20084421	Step bolt M8*20	2
46	20084392	Right side of trapezoidal connecting plate weldment	1
47	20084381	Pull hook seat right	1

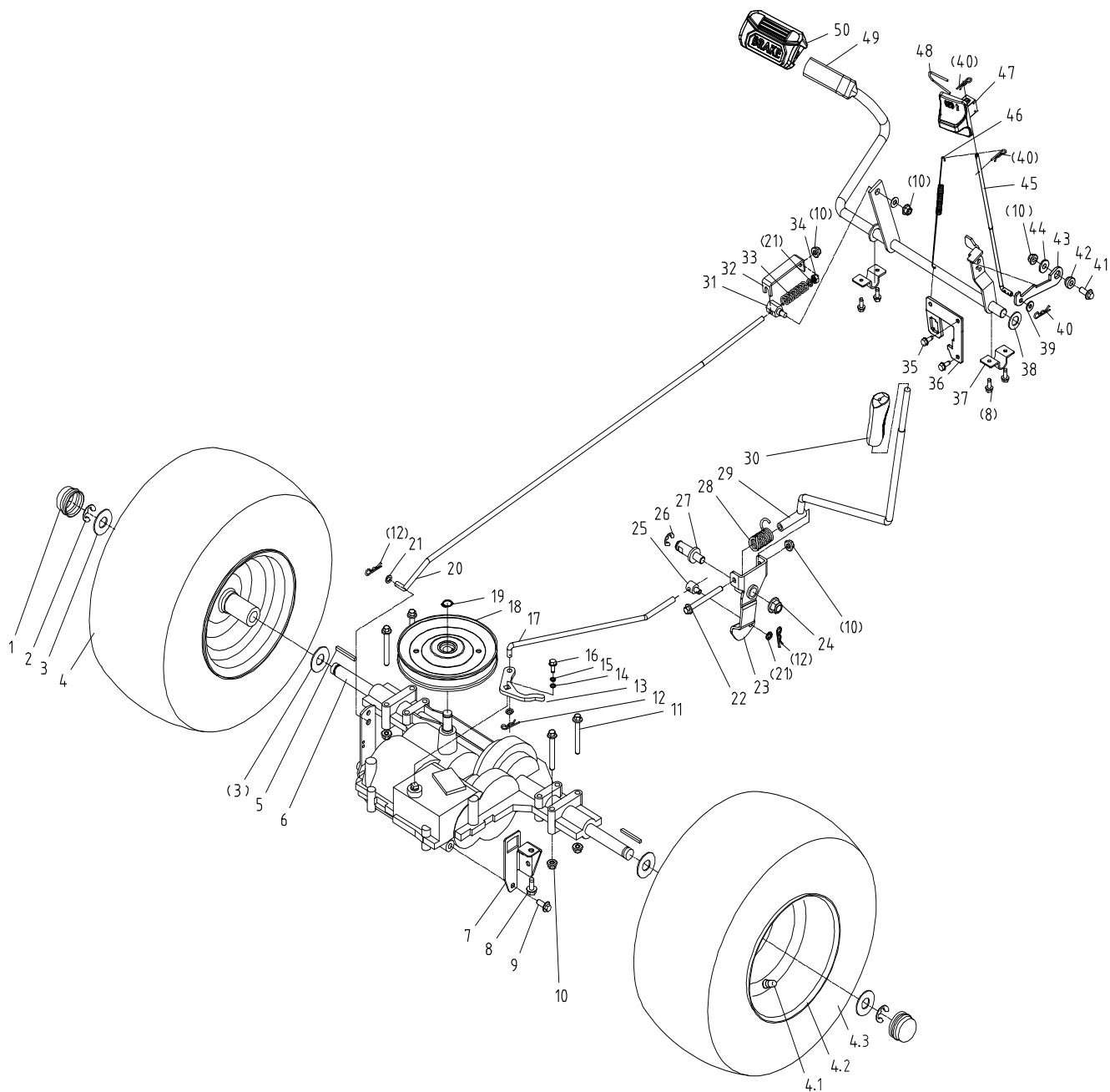


Pozice	Obj.číslo	Popis	Počet
1	20068187	HUB COVER	2
2	20061488	SNAP RING 19	2
3	20071143	WASHER $\phi 20 \times \phi 43 \times 3$	2
4	20071144	WASHER	4
5	20086529	Front wheel assembly	2
5,1	20083980	FRONT WHEEL ASSEMBLY	2
5,2	20071149	FRONT WHEEL ASSEMBLY	2
5,3	20061665		2
5,4	20061595	BEARING 61904-2RZ	4
6	20084372	Front Axle RH	1
7	20061444	WASHER 20	2
8	20070566	BUSHING	4
9	20084364	FRONT AXLE WELDMENT	1
10	20061348	FLANGE LOCK NUT M8	1
11	20070941	TURNNG ARM	1
12	20055114	WASHER	2
13	20061533	SPRING WASHER 8	2
14	20061291	BOLT M8×20	2
15	20061256	FLANGE BOLT M8×45	1
16	20061359	FLANGE LOCK NUT M12×1.25	1
17	20084370	LINER TUBE	1
18	20061649	OIL INJECTION NOZZLE	2
19	20061482	WASHER6	2
20	20085752	FLANGE BOLT M12×1.25×55	1
21	20084367	Front Axle LH	1



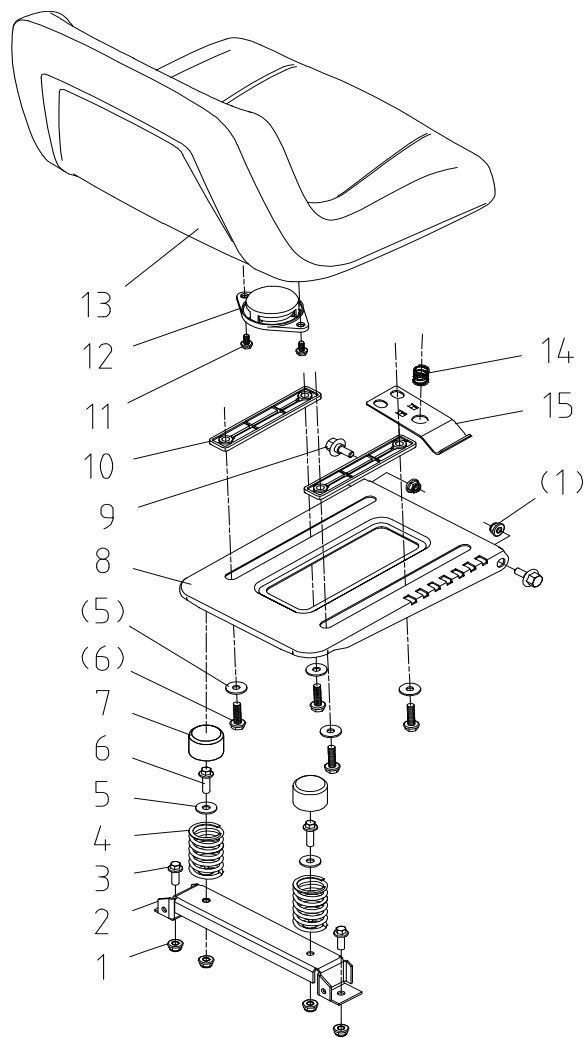
Pozice	Obj.číslo	Popis	Počet
1	20085366	JOINT BEARING M10	1
2	20061399	NUT M10	2
3	20084461	STEERING DRAG ROD	1
4	20061348	FLANGE LOCK NUT M8	6
5	20084463	SQUARE HOLE CARD BOARD	1
6	20061299	SCREW M8×20	2
7	20061298	FLANGE BOLT M8×25	6
8	20083389	Couplings	1
9	20082643	HATCH BUSHING	1
10	20061548	SNAP RING 15	1
11	20084458	Steering column	1
12	20061419	LOCK NUT M10	1
13	20084462	ELASTIC RUBBER BUSH	2
14	20084456	STEERING TIE ROD	1
15	20084459	PIN SCREW M8×28	2
16	20084457	STEERING GEAR LEFT	1
17	20061569	PIN 6×26	1
18	20061437	WASHER 16	2
19	20070612	HEXAGON BUSHING	1
20	20071127	BUSHING	1
21	20085898	SNAP RING 16	1
22	20070939	TIE PLATE	1

23	20070932	BUSHING	2
24	20084464	STEERING GEAR PLATE WELDMENT	1
25	20070942	DOUBLE HOLE BOARD	1
26	20061641	JOINT BEARING SIJK10C	1
27	20061403	LOCK NUT M10×1.25	1
28	20084468	STEERING WHEEL ROD B	1
29	20060880	SCREW M6×35	1
30	20061385	FLANGE LOCK NUT M6	1
31	20070944	STEERING WHEEL	1
32	20070945	STEERING WHEEL CAP	1

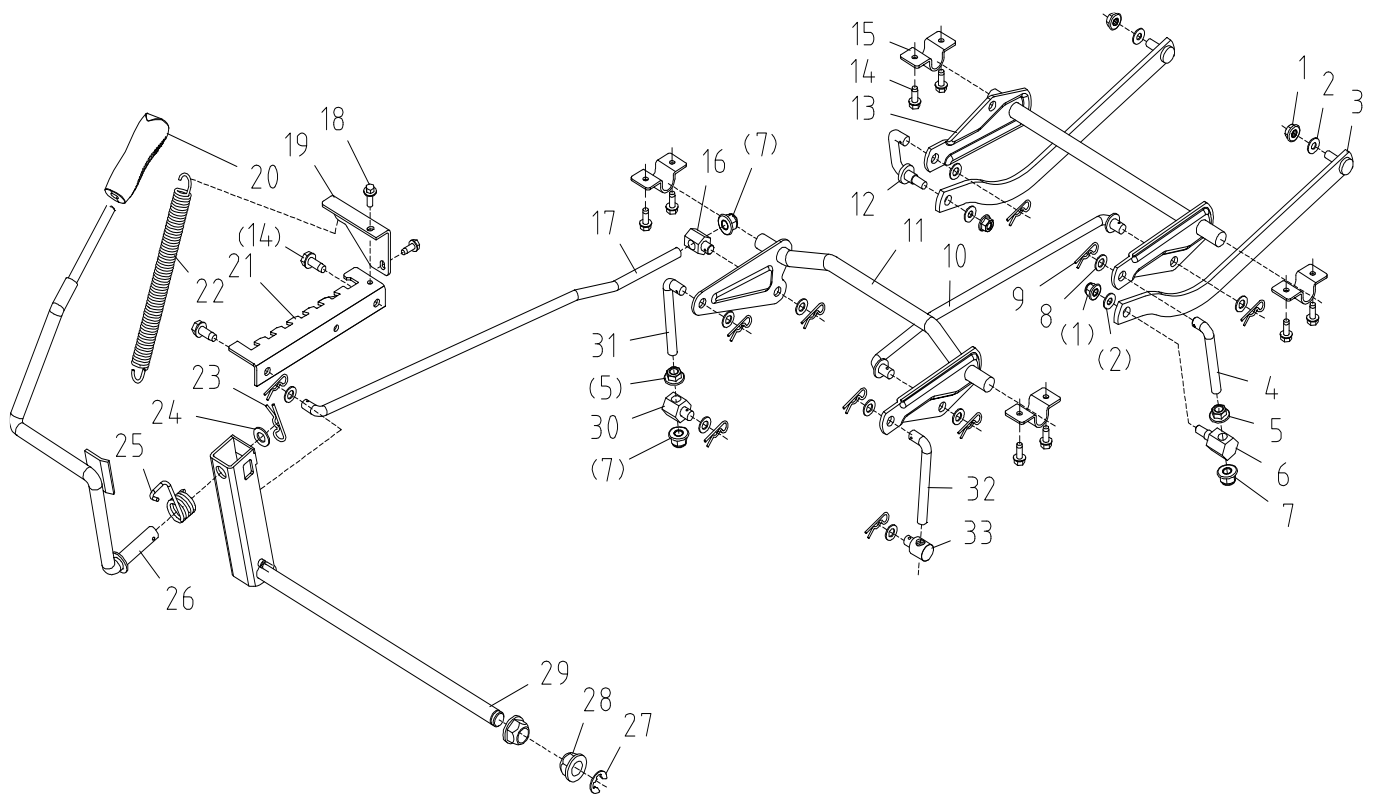


Pozice	Obj.číslo	Popis	Počet
1	20068187	HUB COVER	2
2	20061430	RETAINER RING 15	2
3	20071143	WASHER $\phi 20 \times \phi 43 \times 3$	4
4	20086530	REAR WHEEL ASSEMBLY	2
4,1	20061665		2
4,2	20060810		2
4,3	20083979		2
5	20071174	FLAT KEY 4.75x 4.75x60	2
6	20089295	GEAR BOX	1
7	20084693	GEAR BOX CONNECTING PLATE	1
8	20082799	FLANGE BOLT 5/16-18TX3/4	5
9	20061309	FLANGE BOLTM8x16	1
10	20061348	FLANGE LOCK NUT M8	8
11	20061310	FLANGE BOLT 8x65	4
12	20070576	SPRING PIN	3
13	20089122	Gear shift arm	1
14	20061539	BIG WASHER 6	1
15	20061487	SPRING WASHER 6	1
16	20061273	BOLT 1/4"-28 -3/4"	1

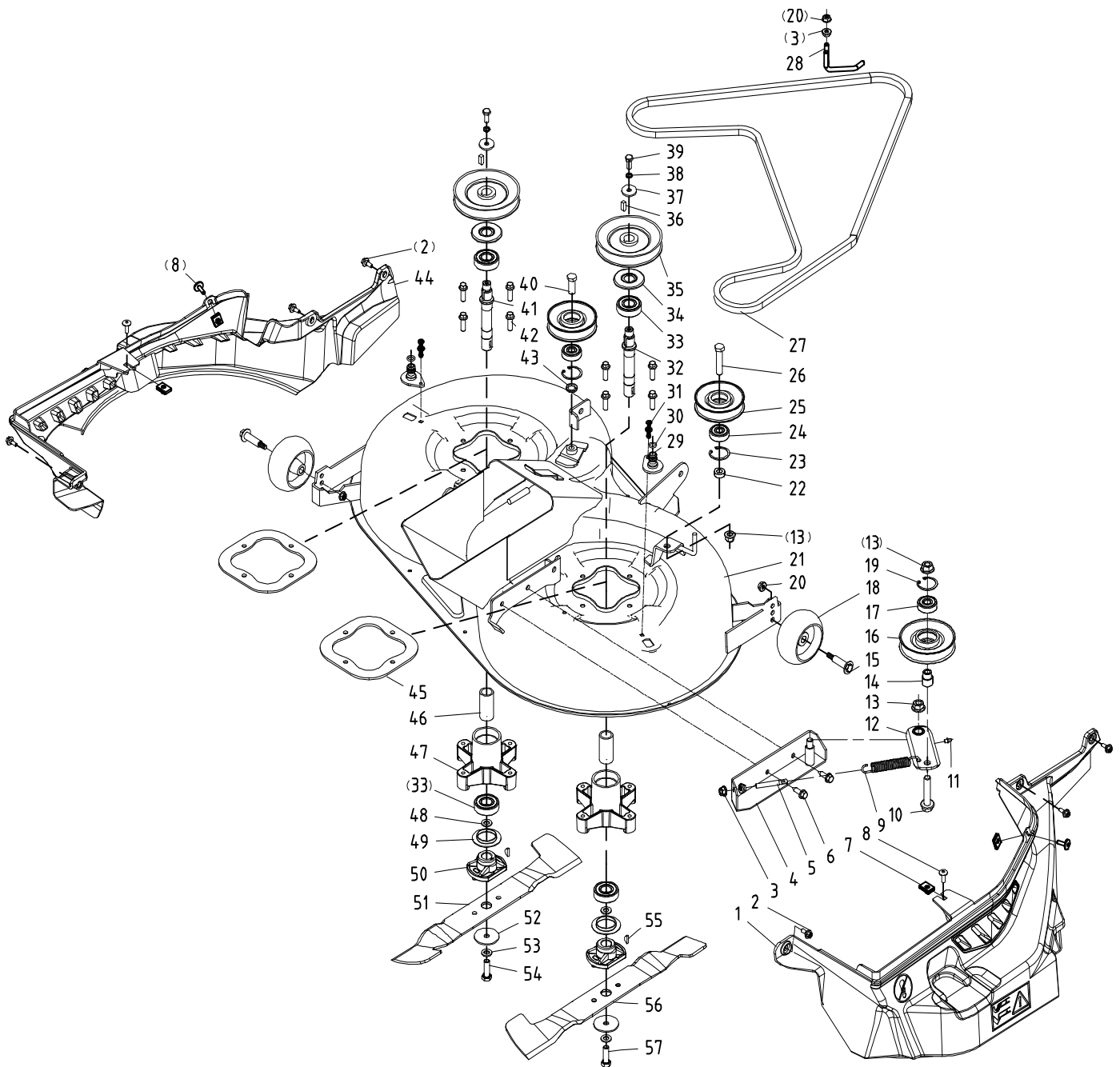
17	20084699	Gear shift rod	1
18	20070884	DRIVING PASSIVE WHEEL	1
19	20061434	SNAP RING 16	1
20	20084684	BRAKE LEVEL	1
21	20061431	Washer $\Phi 8$	3
22	20083999	FLANGE BOLT M8x80	1
23	20084697	GEAR SHIFT LEVER WELDMENT	1
24	20061359	FLANGE LOCK NUT M12x1.25	1
25	20070581	GEAR SHIFT PIN	1
26	20061473	Snap Ring 12	1
27	20084686	GEAR SHIFT AXLE PIN	1
28	20084702	SPRING $\Phi 3.5 * \Phi 20$	1
29	20084692	GEAR SHIFT LEVER WELDMENT	1
30	20070900	HANDLE	1
31	20084700	PIN	1
32	20084705	GROOVE ADJUSTING PLATE	1
33	20084706	SPRING $\phi 2.5 \times \phi 14$	1
34	20061393	Nut M8	1
35	20082800	Tapping screw M6*16	2
36	20089015	brak switch sert plate	1
37	20084532	U-SHAPED CLAMP	2
38	20073313	WASHER 16.5x30x1.5	1
39	20061482	WASHER 6	1
40	20070582	Cotter pin	3
41	20061250	FLANGE BOLT M8x25	1
42	20088842	step cover	1
43	20089014	parking hook	1
44	20061541	BIG WASHER 8	1
45	20088846	Drag Link, Brake Parking	1
46	20070894	CLUTCH LEVER SPRING	1
47	20085155	BRAKE HANDLE RAL3002	1
48	20084581	U BOLT	1
49	20088848	BRAKE FOOT BAR WELDMENT(MANUAL)	1
50	20082728	BRAKE PEDAL	1



Pozice	Obj.číslo	Popis	Počet
1	20061348	FLANGE LOCK NUT M8	6
2	20084447	SEAT BACK BEAM	1
3	20061274	FLANGE BOLT M8×20	4
4	20070964	SEAT SPRING	2
5	20061541	BIG WASHER	6
6	20061298	FLANGE BOLT M8×25	6
7	20068240	SPRING CAP	2
8	20085449	justable seat base plate	1
9	20088755	Seat screws	2
10	20088754	Seat cushion strip	2
11	20082800	Tapping screw M6*16	2
12	20088756	Seat switch components	1
13	20088759	SEAT ZJZY3-2	1
14	20085377	SPRING $\phi 1.5 \times \phi 16$	1
15	20085375	Seat adjustment plate	1

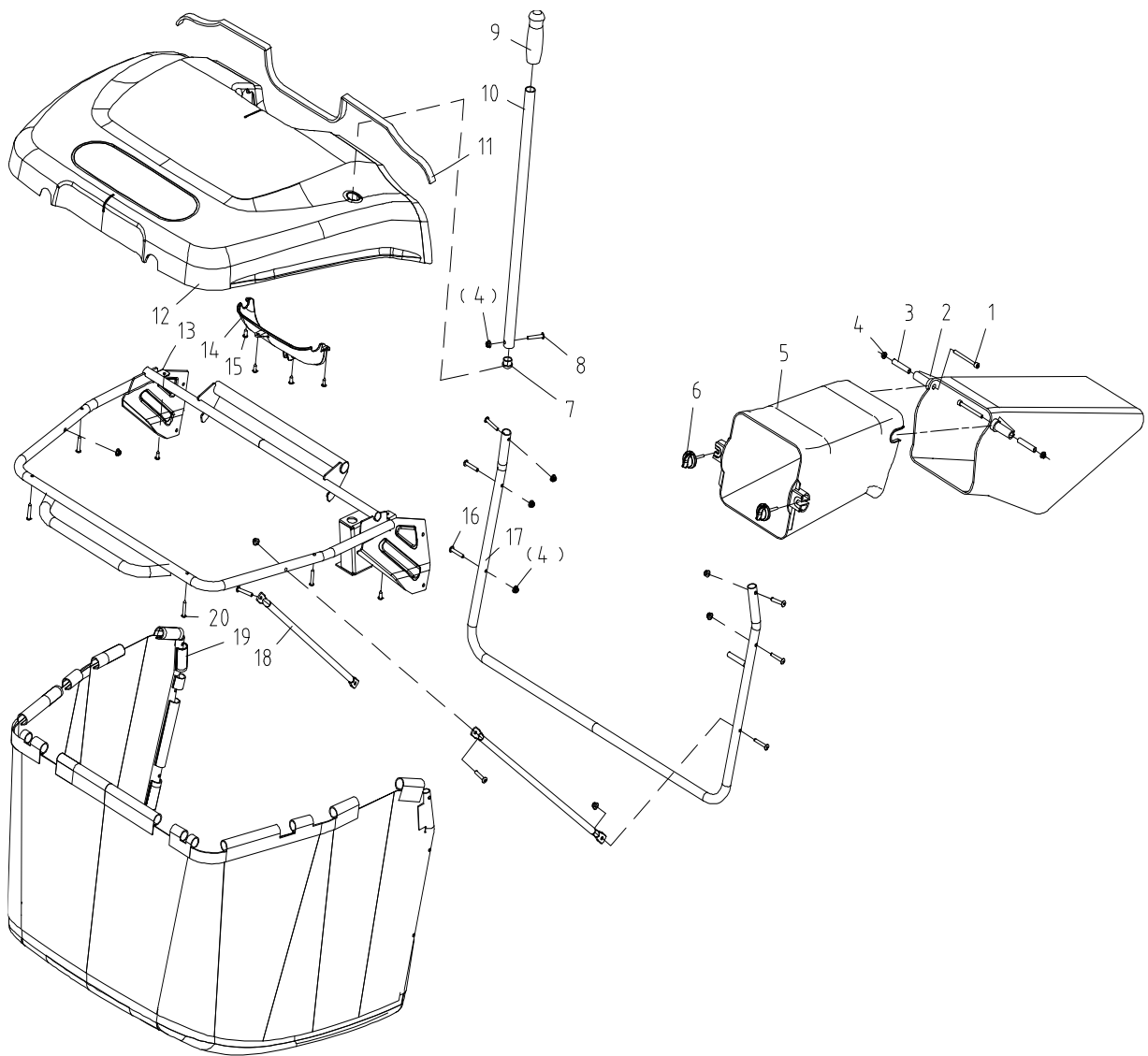


Pozice	Obj.číslo	Popis	Počet
1	20061348	FLANGE LOCK NUT M8	4
2	20061541	BIG WASHER	4
3	20084556	FRONT STAY BAR WELDMENT	2
4	20084557	FRONT RIGHT DERRICK	1
5	20061369	Hexagon nut 10X1.25	2
6	20084533	PIN	1
7	20061405	FLANGE LOCK NUT M10×1.25	3
8	20061497	WASHER 10	10
9	20070576	SPRING PIN	10
10	20084559	LIFTING LINK ROD WELDMENT(REAR DISCHARGE)	1
11	20084539	REAR ARM WELDMENT(Rear)	1
12	20084553	U DERRICK WELDMENT	1
13	20084560	FRONT ARM WELDMENT	1
14	20082799	FLANGE BOLT 5/16-18TX3/4	10
15	20084532	U-SHAPED CLAMP	4
16	20070967	ADJUSTING PIN	1
17	20084563	LIFTING PULL ROD(REAR DISCHARGE)	1
18	20082800	Tapping screwM6*16	2
19	20085316	Spring hanging plate TTM86, electroplating	1
20	20070900	HANDLE	1
21	20084549	RATCHET PLATE	1
22	20084564	LIFTING HELPING SPRING	1
23	20071251	Cotter pin φ3	1
24	20062529	WASHER 14x1.5	1
25	20071354	RIGHT SPRING	1
26	20084535	LEVEL WELDMENT	1
27	20061473	RETAINER RING 12	1
28	20070612	HEXAGON BUSHING	2
29	20084537	Deck Lift Shift Assemble	1
30	20085750	Pin joint TTM86S, electroplated	1
31	20085865	Rear left suspension rod electroplating	1
32	20085747	Rear right suspension rod electroplating	1
33	20070613	ADJUSTING PIN	1

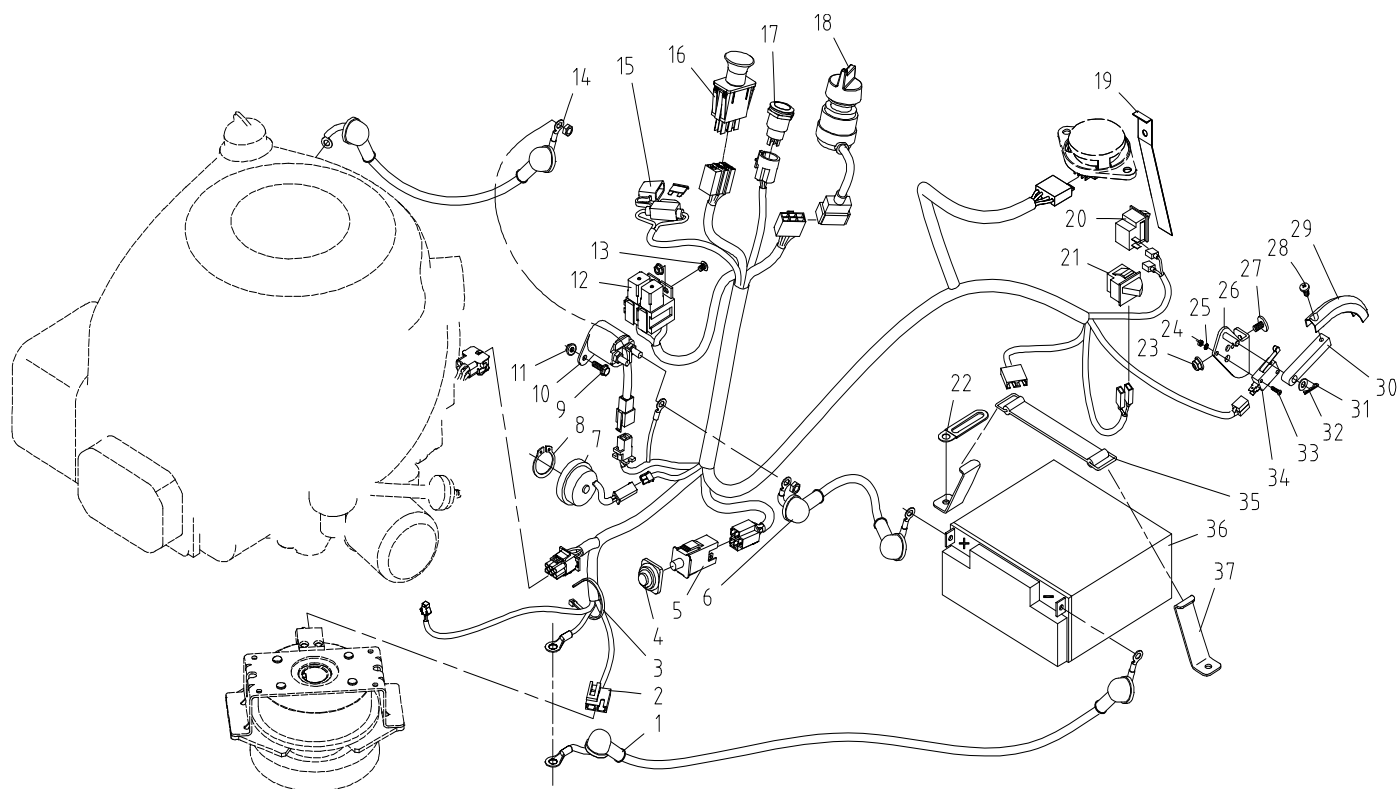


Pozice	Obj.číslo	Popis	Počet
1	20088574	BELT COVER RIGHT TTM92,Black	1
2	20082801	Hexagon Head Tapping Screw6.3x11.5	6
3	20061336	FLANGE NUT M8	3
4	20084618	CUT TENTION SUPPORT WELDMENT	1
5	20084542	ADJUSTING SCREW ROD	1
6	20082799	FLANGE BOLTS5/16-18TX3/4	2
7	20070630	BUCKLE NUT M6	4
8	20060893	SCREW M6x16	4
9	20084598	TRACTION SPRING	1
10	20061286	Hexagon bolt M12x1.25x50	1
11	20061649	OIL INJECTION NOZZLE	1
12	20084615	CUT TENTION ARM WELDMENT	1
13	20061359	FLANGE LOCK NUT M12x1.25	2
14	20084617	TENTION PULLEY CUSHION COVER	1
15	20085378	Wheel Axle	2
16	20084596	TENTION PULLEY WELDMENT TTM86,Plating white zinc passivation	1
17	20061610	BEARING 6203-2RZ	1
18	20088559	WHEEL	2
19	20061540	CIRCLE 40	1

20	20061348	FLANGE LOCK NUT M8	3
21	20088580	Deck WELDMENT	1
22	20084610	RIGHT GUIDE Wheel CUSHION COVER	1
23	20061549	SNAP RING 37	2
24	20061626	BEARING 6301-2RS	2
25	20070536	TENTION PULLEY	2
26	20084604	TENTION PULLEY BOLT LONG TTM86,Blacken	1
27	20084306	BELT TTM92-AA92	1
28	20088710	Clutch lever welding part TTM86	1
29	20070624	WATER NOZZLE	2
30	20055756	O RING 11.2x2.65	2
31	20085899	Plastic expansion rivets	2
32	20083936	RIGHT BLADE Axle	1
33	20061625	Bearing 6204-2RZ	4
34	20071285	Hood, Bearing	2
35	20085352	PULLEY	2
36	20061650	FLAT KEY C6x18	2
37	20055114	Washer	2
38	20061472	Spring washer 8	2
39	20061274	Hexagon bolt M8x20	2
40	20062310	BOLT	1
41	20083934	LEFT BLADE Axle	1
42	20061265	FLANGE BOLT M8x35	8
43	20061452	SPRING WASHER 12	1
44	20088575	BELT COVER LEFT	1
45	20088737	Deck disc reinforcement plate	2
46	20071282	Pivot tube	2
47	20054352	Cuttter house	2
48	20071283	Spacer ring	2
49	20071286	Washer 50x20.2x2	2
50	20054345	Sleeve	2
51	20088761	Left brade	1
52	20070623	Saucer washer	2
53	20061497	WASHER 10	2
54	20061267	Bolt 3/8-24unf	1
55	20061651	HALFMOON KEY 4x16	2
56	20088762	RIGHT BLADE	1
57	20061266	LH Bolt 3/8-24-1.25"-1.25-LH	1

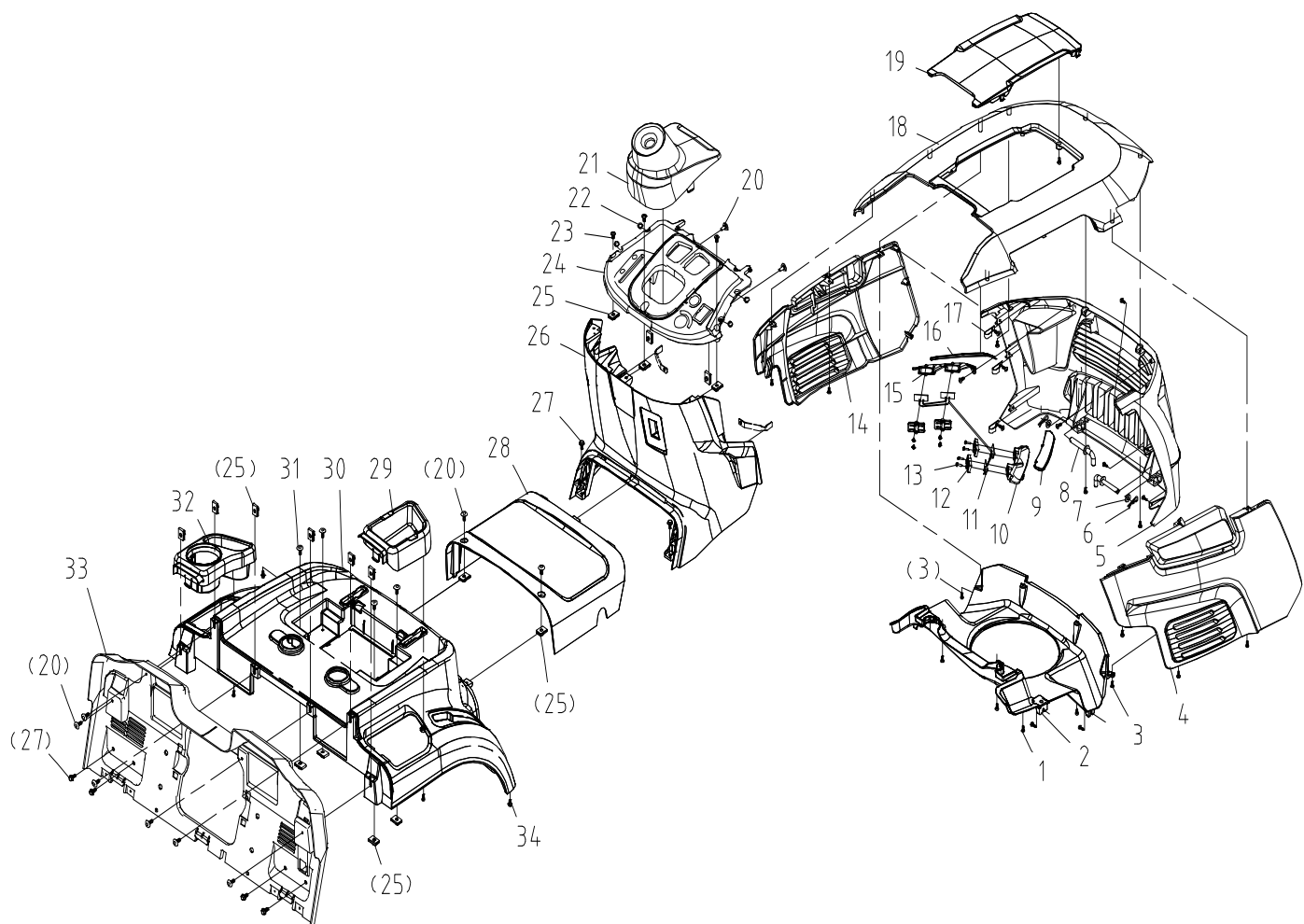


Pozice	Obj.číslo	Popis	Počet
1	20084300	Screw M6X65	2
2	20085874	Front grass collectorTTM86, K46/T2	1
3	20084482	SPACER $\Phi 6 * \Phi 10 * 48$	2
4	20061385	Hexagon lock nut M6	11
5	20085875	Rear grass collector TTM86, K46/T2	1
6	20086201	lock knob	2
7	20070642	Core plug	1
8	20060905	SCREW M6x30	1
9	20070643	Handle	1
10	20071295	Lever	1
11	20086969	Sealing Wool TTM86	1
12	20084479	COVER (starry gray)	1
13	20084469	GRASS COLLECTING FRAME FRONT SUPPORT WELDMENT	1
14	20084472	HANDLE DECPRATIVE PLATE	1
15	20084298	Tapping screw ST4.8x16	6
16	20061246	HEXAGON BOLTM6x35	8
17	20084483	GRASS COLLECTING FRAME STATE SUPPORT WELDMENT	1
18	20084488	Side stay pipe	2
19	20084473	GRASS CATCHER(BOTTOM+CATCHER)	1
20	20084299	Tapping screw ST5.5x35	4



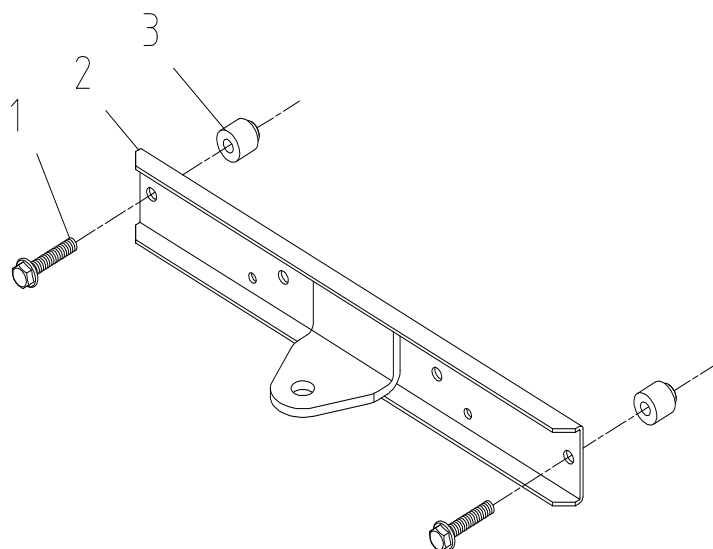
Pozice	Obj.číslo	Popis	Počet
1	20085496	GROUND CABLE	1
2	20089001	Electric cable (electric start)	1
4	20062416	COVER,SWITCH	1
5	20089224	SWITCH,PLUNGER	1
6	20084624	Battery cable	1
7	20070813	Buzzer	1
8	20061492	Axial elastic ring $\Phi 24$	1
9	20061186	BOLT M5 \times 16	2
10	20071221	STAR RELAY	1
11	20061341	FLANGE LOCK NUT M5	3
12	20089006	RELAY YAP23H-12-HR	2
13	20062522	Screw M5 \times 12	1
14	20084637	POWER CABLE	1
15	20085696	FUSE BRM148S, 20A	1
16	20062234	SWITCH,PTO	1
17	20089045	SWITCH	1
18	20089345	Electric door lock	1
19	20084634	spring plate	1
20	20086271	SWITCH	1
21	20086270	SWITCH	1
22	20089223	wire clamp	1
23	20061385	Hexagon flange lock nut M6	2
24	20061334	nut M3	2
25	20084633	Washer 3	2
26	20084622	Switch base	1
27	20060893	Screw M6*16	2
28	20051776	Tapping screw ST4.2*10	1
29	20084640	Hook	1
30	20071233	Switch lever	1
31	20061539	Washer $\Phi 6$	1
32	20059765	SPLIT PIN	1

33	20051763	Screw M3*20	2
34	20071232	Switch	1
35	20070744	Belt	1
36	20071324	BATTERY 12V 18Ah	1
37	20084632	HOOK	2

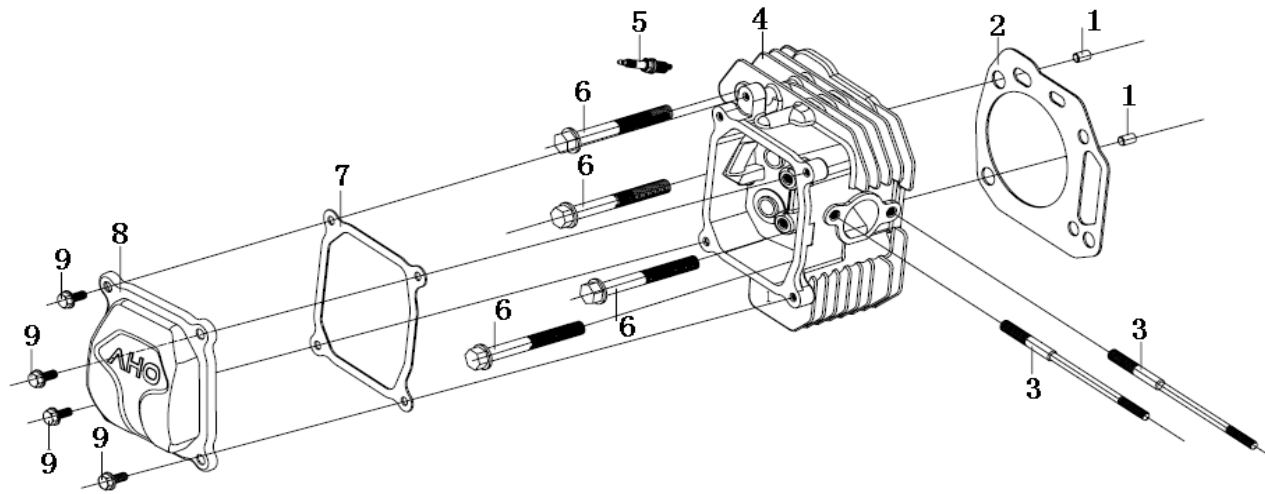


Pozice	Obj.číslo	Popis	Počet
1	20061038	SCREW ST4.8×16	27
2	20084507	AIR DIRECTOR	1
3	20084497	SCREW ST4.8×20	2
4	20084504	RIGHT SIDE COVER	1
5	20084511	FRONT COVER	1
6	20070576	SPRING PIN	2
7	20061497	WASHER 10	2
8	20078136	PIN	2
9	20084500	LEFT LIGHT COVER	1
10	20085780	RIGHT LIGHT BASE TTM86,Bright silver plating	1
11	20084627	light	1
12	20085735	Lamp Base cover TTM86, black	4
13	20051768	TAPPING SCREW ST2.9x12	8
14	20084502	LEFT SIDE COVER	1
15	20085779	LEFT LIGHT BASE TTM86,Bright silver plating	1
16	20084508	LEFT LIGHT COVER	1
17	20050895	Ignition wire clamp	4
18	20084496	ENGINE COVER	1
19	20084505	ENGINE COVER AIR INTAKE	1
20	20060893	SCREW M6×16	10
21	20084503	STEERING WHEEL COVER	1
22	20075146	HANDLE ANTI-VIBRATION RUBBER	4
23	20061013	Screw M6X16	3
24	20084494	PANEL	1
25	20070630	BUCKLE NUT M6	17
26	20084495	SHIELD	1

27	20082800	SCREW 6x16	6
28	20084506	MAINTENANCE COVER	1
29	20084509	RIGHT STORAGE BOX	1
30	20084510	REAR SEAT	1
31	20060919	SCREW M6x25	4
32	20084493	LEFT STORAGE BOX	1
33	20084499	REAR COVER TAIL-BOARD	1
34	20084298	TAPPING SCREW ST4.8x16	4

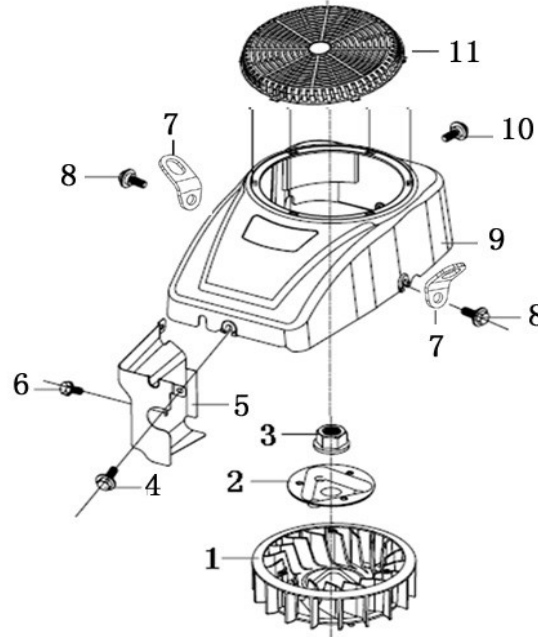


Pozice	Obj.číslo	Popis	Počet
1	20061254	FLANGE BOLT M8×40	2
2	20085158		1
3	20085165		2



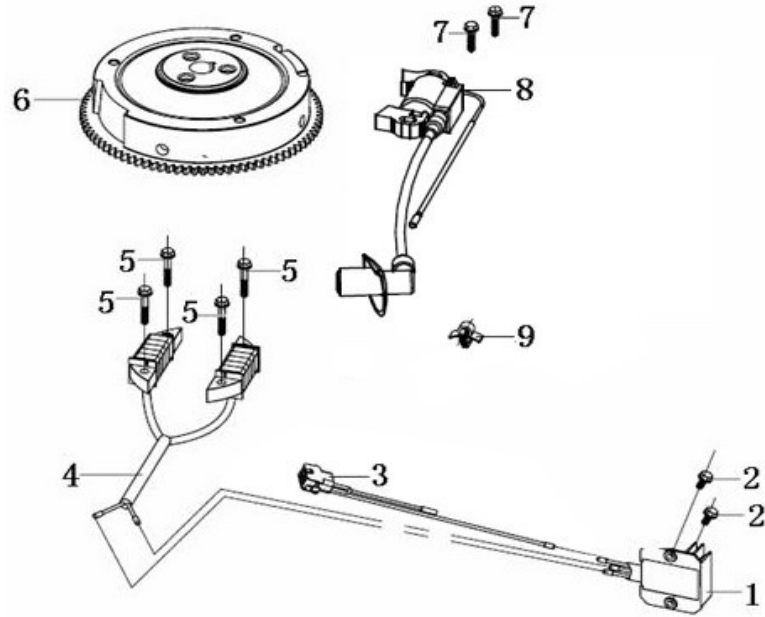
气缸头 (Gear Box Assy)

序号	零部件件号	零部件名称	Description	规格状态	数量	易损属性
No.	Part No.				Reqd. QTY	CONSUMABLE GRADE
1	380600116-0001	定位销	ocation pin	T110_d=12_L=20;	2	C
2	120150146-0001	气缸头密封垫	Gasket for cylinder head	T380_石墨;	1	A
3	380180088-0001	双头螺栓	Stud	T370_M6/8_L=138; 镀蓝白锌Q16	2	C
4	120081128-0001	气缸头	Cylinder head	T381_B款_增加导流罩安装孔;	1	B
5	270960028-0002	火花塞	Spark plug	RC12YC; Cr3+钝化	1	A
6	380140335-0001	六角头法兰面螺栓	Hexagon bolt with flange	T370_M10×1.25_L=85; 镀蓝白锌Q16	4	C
7	120250079-0001	气缸头盖密封垫	Gasket for cylinder head cover	T381_9016;	1	A
8	120230155-0001	气缸头盖	Cylinder head cover assy	T381_铝合金;	1	C
9	380020070-0001	六角头轴肩螺栓	Hexagon shaft shoulder bolt	T370_M6×16.5(Φ8×3.5); 镀蓝白锌Q16	4	C



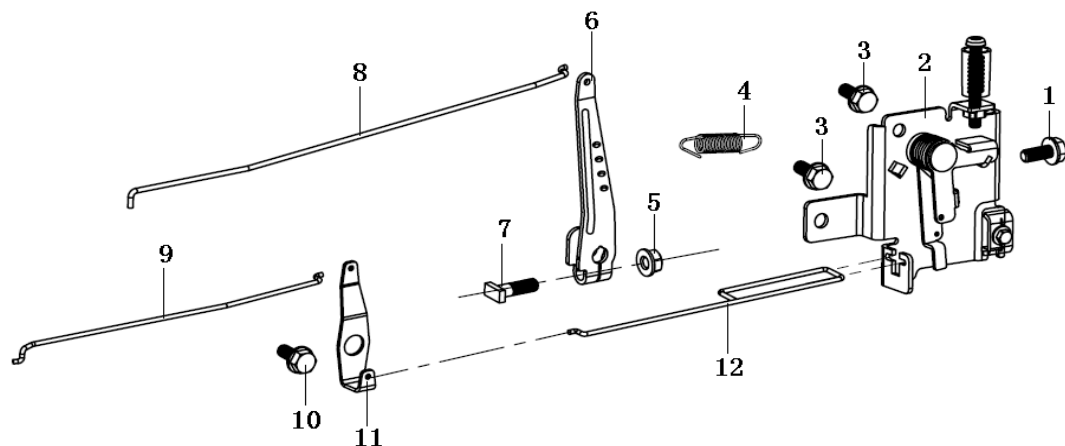
导风部件 (Blower Housing)

序号	零部件件号	零部件名称	Description	规格状态	数量	易损属性
No.	Part No.				Reqd. QTY	CONSUMABLE GRADE
1	160180024-0001	叶轮	Impeller	T381;	1	B
2	193590013-0001	起动盘	Starting disc	T370;镀蓝白锌Q16	1	C
3	380370079-0001	六角法兰面螺母	Hexagon nut with flange	T381_不带防滑齿_M16×1.5;镀蓝白锌Q16	1	C
4	380020087-0001	六角头轴肩螺栓	Hexagon shaft shoulder bolt	T390_M6×21.8(Φ8×10.8);镀蓝白锌Q16	1	C
5	160190050-0001	空气导流罩	air deflector	T381_2#;	1	B
6	380140067-0003	六角头法兰面螺栓	Hexagon bolt with flange	GB/T 5789_M6_L=12;镀蓝白锌Q16	1	C
7	120550026-0001	吊耳	Lifting eye	T441;	2	C
8	380020086-0001	六角头轴肩螺栓	Bolt, Hexagonal	T390_M6×16.8(Φ8×5.8);镀蓝白锌Q16	2	C
9	160210046-0001	风扇罩部件	Fan cover comp.	T381;	1	B
10	380020070-0001	六角头轴肩螺栓	Hexagon shaft shoulder bolt	T370_M6×16.5(Φ8×3.5);镀蓝白锌Q16	2	C
11	195360009-0003	起动机外罩	Starter outer cover	T381;黑坯	1	B



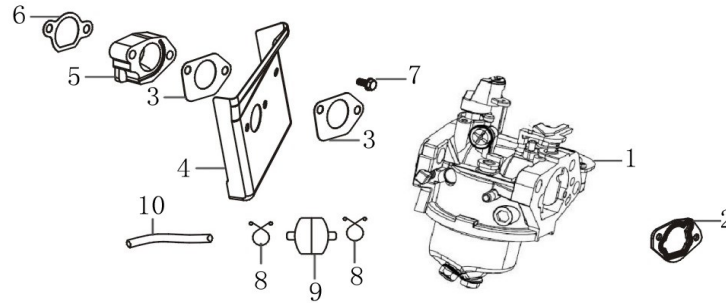
点火系统 (Flywheel)

序号	零部件件号	零部件名称	Description	规格状态	数量	易损属性
No.	Part No.				Reqd. QTY	CONSUMABLE GRADE
1	270880173-0001	调压整流器	RectifierVariable voltage	T440;	1	A
2	380140067-0003	六角头法兰面螺栓	Hexagon bolt with flang	GB/T 5789_M6_L=12;镀蓝白锌Q16	2	C
3	271280141-0002	连接线	Connecting wire	T370_尼龙端子;满足REACH要求	1	A
4	270190031-0001	充电线圈部件	Components of chargin	T381_尼龙端子;	1	A
5	380140054-0003	六角头法兰面螺栓	Hexagon bolt with flang	GB/T 5789_M6_L=30;镀蓝白锌Q16	4	C
6	270020229-0001	磁电机转子部件	FLYWHEEL COMP	磁电机转子部件>T370_取消磁钢护板;	1	B
7	380140103-0004	六角头法兰面螺栓	Hexagon bolt with flang	GB/T 5789_M6_L=25;镀蓝白锌Q16	2	C
8	270920251-0004	点火线圈	COIL ASSY.,IGNNTION	T370_抗干扰,带5kΩ金属屏蔽帽;尼龙端子	1	B
9	380930113-0001	定位线卡	Location wire nail	T381_燕尾卡;满足REACH要求	1	B



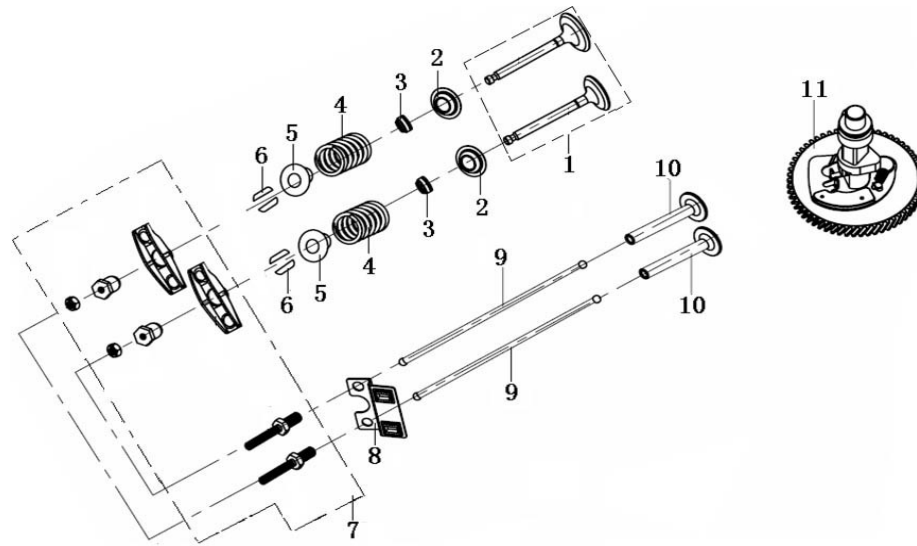
调速控制系统 (Governor)

序号	零部件件号	零部件名称	Description	规格状态	数量	易损属性
No.	Part No.				Reqd. QTY	CONSUMABLE GRADE
1	380140013-0005	六角头法兰面螺栓	Hexagon bolt with flange	GB/T 5789_M6_L=16; 镀蓝白锌Q16	1	C
2	171680158-0001	油门操纵手柄组合	Throttle handle combination	T370_B款, 螺母紧固;	1	B
3	380140209-0001	六角头法兰面螺栓	Hexagon bolt with flange	GB/T 5789_M6_L=14; 镀蓝白锌Q16	2	C
4	171600020-0001	调速弹簧	Governing spring	T370;	1	A
5	380370066-0001	六角法兰面螺母	Hexagon nut with flange	GB/T 6177.1_不带防滑齿_M6; 镀蓝白锌Q16	1	C
6	171620013-0003	调速支架	Speed regulating bracket	调速支架>T370; 带方头平端紧定螺钉/六角法兰面螺	1	C
7	380250002-0001	方头平端紧定螺钉	Square head set screw with	T040_M6_L=21(13mm); 调速支架固定	1	C
8	171590013-0001	油门拉杆	Throttle rod	T370;	1	B
9	171490002-0001	阻风门杆	Choke valve bar	T370;	1	B
10	380020071-0001	六角头轴肩螺栓	Hexagon shaft shoulder bolt	T370_M6×15(Φ10×1.8); 镀蓝白锌Q16	1	C
11	171480013-0001	阻风门支架	Choke valve bracket	T370;	1	C
12	171650003-0001	阻风门拉杆	Choke valve pull rod	T370;	1	B



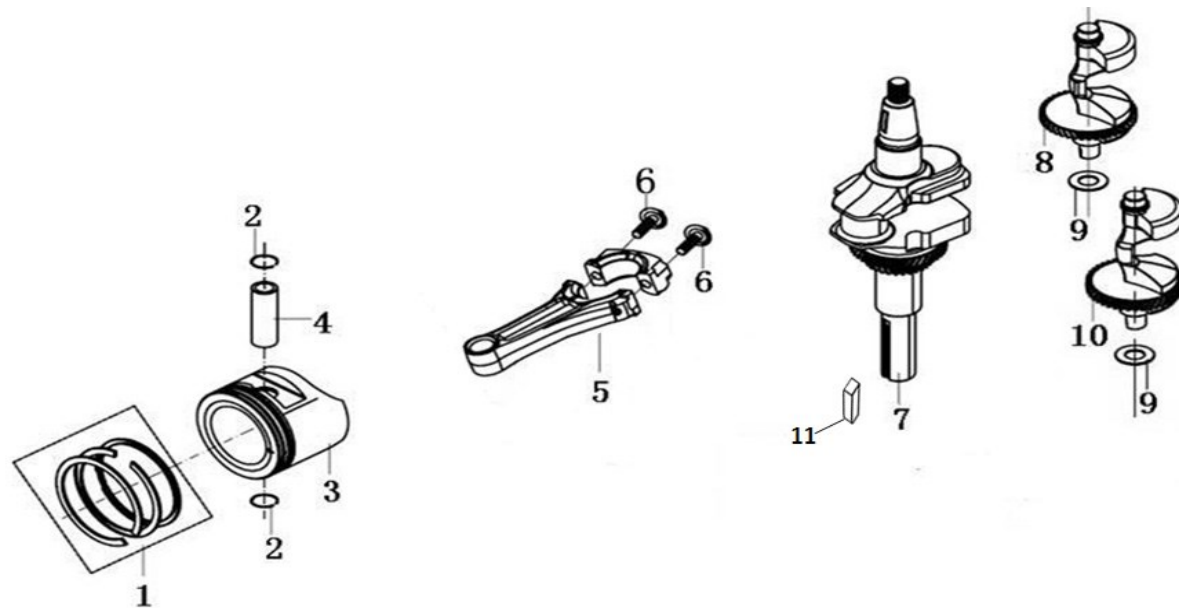
化油器 (Carburetor With Pump)

序号	零部件件号	零部件名称	Description	规格状态	数量	易损属性
No.	Part No.				Reqd. QTY	CONSUMABLE GRADE
1	170021557-0001	化油器	Carburetor	T381_CARB状态_不带电磁阀, 防篡改_针阀座直径1.2mm;	1	B
2	170430173-0001	化油器密封垫	Carburetor gasket	T440_氟橡胶_空滤器垫;红色	1	B
3	170430099-0001	化油器密封垫	Carburetor gasket	T370_interface(N-8092)材料_化油器与空气导流罩之间	2	A
4	160190049-0001	空气导流罩	air deflector	T381_1#;	1	C
5	170440053-0001	化油器隔热垫	Heat insulating pad for car	T370;	1	B
6	170430101-0001	化油器密封垫	Carburetor gasket	T370_interface(N-8092)材料_进气管密封垫;	1	A
7	380140067-0003	六角头法兰面螺栓	Hexagon bolt with flange	GB/T 5789_M6 L=12;镀蓝白锌Q16	1	C
8	380950193-0001	管夹	Pipe clip	T370_Φ11_油管卡圈;	5	A
9	170010018-0001	燃油滤清器	Fuel filter	T370;	1	A
10	380750435-0001	油管	Oil tube	T370_内径6.35_外径12.7_长105_CARB状态;加EPA证书号	1	A
11	380140013-0005	六角头法兰面螺栓	Hexagon bolt with flange	GB/T 5789_M6 L=16;镀蓝白锌Q16	2	C
12	170460026-0001	汽油泵	Gasoline pump	T381_B款_焊接外壳;满足REACH要求	1	B
13	380750425-0001	油管	Oil tube	T320_内径6.35_外径12.7_长285_防渗透_CARB状态;加EP	1	A
14	380950431-0001	管夹	Pipe clip	T370_B款_通气管;	1	C
15	380750188-0002	油管	Oil tube	T370_内径6.5_外径11_长380_汽油泵通气管;满足ROHS要	1	A
16	380140077-0005	六角头法兰面螺栓	Hexagon bolt with flange	GB/T 5789_M6 L=20;镀蓝白锌Q16	2	C
17	170470005-0001	汽油泵支架	Gasoline pump bracket	T370_带加强筋;	1	C



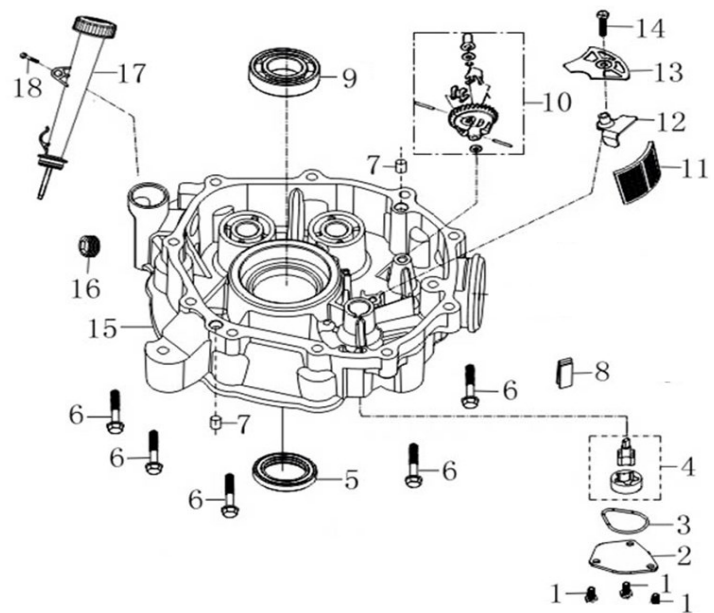
配气机构 (Valve)

序号	零部件件号	零部件名称	Description	规格状态	数量	易损属性
No.	Part No.				Reqd. QTY	CONSUMABLE GRADE
1	500550039-0001	气门套件	Valve Kit	T381;	1	B
2	140360010-0001	气门内弹簧座圈	Seat, valve spring	T110; 含Hg/Cr6/Pb/PBB/PBDE≤1000ppm, Cd≤100ppm	1	B
3	140400012-0001	挡油罩	Valve oil seal	T110; 含Hg/Cr6/Pb/PBB/PBDE≤1000ppm, Cd≤100ppm	2	B
4	140340025-0001	气门内弹簧	Inner spring of valve	T11D_ 调软状态; 含Hg/Cr6/Pb/PBB/PBDE≤1000ppm, Cd≤100ppm	2	B
5	140380021-0001	气门弹簧座	Retainer, valve spring	T11D_ 锁夹状态(通机)_ 排气门用; 含Hg/Cr6/Pb/PBB/PBDE≤1000ppm	2	B
6	140390015-0001	气门锁夹	Valve locker	T11D; 含Hg/Cr6/Pb/PBB/PBDE≤1000ppm, Cd≤100ppm	2	B
7	140450041-0001	气门摇臂组合	Valve rocker combina	T381;	4	B
8	140710011-0001	推杆限位板组合	Plate, push rod guide	T381;	2	B
9	140670030-0001	挺杆组合	Push rod	T370_整体式;	2	B
10	140690004-0001	挺柱	Lifter, Valve	T110; 含Hg/Cr6/Pb/PBB/PBDE≤1000ppm, Cd≤100ppm	2	B
11	140020055-0001	凸轮轴组合	Camshaft assy	T370;	2	B



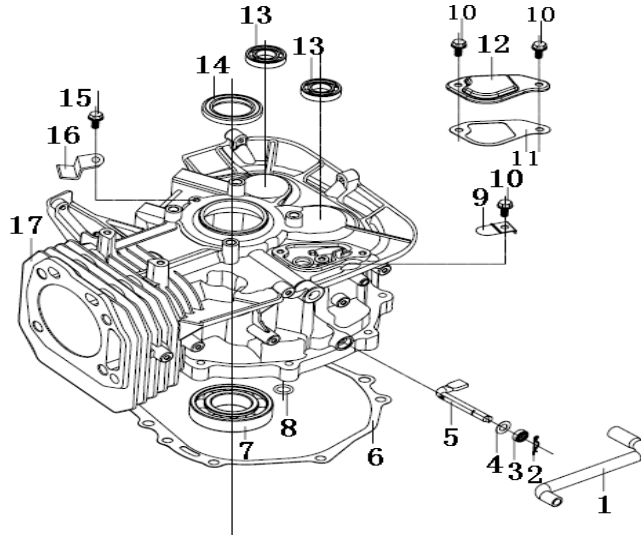
曲柄连杆 (Crankshaft)

序号	零部件件号	零部件名称	Description	规格状态	数量	易损属性
No.	Part No.				Reqd. QTY	CONSUMABLE GRADE
1	130070103-0001	活塞环组合	Piston ring combination	T380;	1	A
2	380560057-0001	钢丝挡圈	Steel cable baffle ring	T110_活塞销挡圈;	2	B
3	130030311-0001	活塞	Piston	T381_平顶, B款;	1	A
4	130060034-0001	活塞销	Piston pin	T110_ $\phi 20 \times 62$; 含Hg/Cr6/Pb/PBB/PBDE ≤ 1000 ppm, Cd \leq	1	2
5	130150185-0001	连杆	Connecting rod	T370_B款_工艺连杆螺栓;	1	B
6	130180033-0001	连杆螺栓	Connecting rod bolt	T370_B款; 预涂胶	2	C
7	130290102-0001	曲轴部件	crankshaft	T370_A轴;	1	B
8	130450034-0001	平衡轴	Balancing shaft	平衡轴>T370_B, 齿加厚;	1	B
9	380450560-0001	平垫圈	Flat washer	T370_内径17_外径30_厚度1.5; 氧化Q07	2	C
10	130450033-0001	平衡轴	Balancing shaft	平衡轴>T370_A, 齿加厚;	1	B
11	380620034-0001	键	Key	GB/T1095_L=54.6 \times 6.3_A型;	1	B



曲轴箱盖 (Crankshaft Cover)

序号	零部件件号	零部件名称	Description	规格状态	数量	易损属性
No.	Part No.				Reqd. QTY	CONSUMABLE GRADE
1	380140013-0005	六角头法兰面螺栓	Hexagon bolt with flange	GB/T 5789_M6_L=16; 镀蓝白锌Q16	3	C
2	150040019-0001	油泵盖	Oil pump cover	T370;	1	C
3	380840467-0001	密封圈	Seal ring	T370_机油泵密封圈_丙烯酸脂CII;	1	A
4	150010073-0001	机油泵部件	Components of oil pump	T381;	1	B
5	380650337-0001	油封	Oil seal	T110_d=35_D=52_b=7; 含Hg/Cr6/Pb/PBB/PBDE≤10	1	B
6	380140447-0001	六角头法兰面螺栓	Hexagon bolt with flange	T370_M8_L=40_S=12; 镀蓝白锌Q16	10	C
7	380600123-0001	定位销	ocation pin	T370_d=10_L=12;	2	C
8	150570003-0001	机油回油块	Engine oil return block	T370_丙烯酸脂;	1	B
9	380630141-0002	轴承	Bearing	GB/T 276_6207;	1	B
10	171750044-0001	调速齿轮部件	Components of governor g	T381_B款;	1	B
11	150290022-0001	机油滤网	Engine oil Strainer	T370_弧形;	1	A
12	120530002-0001	油道压板	Pressing plate for oil groove	T370;	1	C
13	150340013-0001	机油滤网盖	Cover,Oil Strainer	T381_取消冲孔;	1	B
14	380140103-0004	六角头法兰面螺栓	Hexagon bolt with flange	GB/T 5789_M6_L=25; 镀蓝白锌Q16	1	C



曲轴箱 (Crank Case Comp)

序号	零部件件号	零部件名称	Description	规格状态	数量	易损属性
No.	Part No.				Reqd. QTY	CONSUMABLE GRADE
1	380740462-0002	通气管	Breather tube	T370_异型_丁腈橡胶_废气管;满足ROHS要求	1	A
2	381350004-0001	销夹	Pin clip	T040_调速臂用;	1	B
3	380650339-0001	油封	Oil seal	T110_d=8_D=14_b=4;含Hg/Cr6/Pb/PBB/PBDE≤100	1	B
4	380450559-0001	平垫圈	Flat washer	T370_内径8_外径16_厚度0.5;镀蓝白锌Q16	1	C
5	171630020-0001	调速臂	Speed regulating arm	T381;	1	B
6	110830037-0001	曲轴箱盖密封垫	Crankcase cover gasket	T381_interface(N-8092);	1	A
7	380630141-0002	轴承	Bearing	GB/T 276_6207;	1	B
8	380840443-0001	密封圈	Seal ring	T370_D=11.7_d=2.5_丙稀酸脂;	1	A
9	140250006-0001	簧片阀	Leaf valve	T370_压板加厚;	1	B
10	380140067-0003	六角头法兰面螺栓	Hexagon bolt with flange	GB/T 5789_M6_L=12;镀蓝白锌Q16	3	C
11	110850004-0001	呼吸槽密封垫	PACKING, BREATHER CHA	T370_无石棉软木橡胶板;	1	A
12	110840005-0001	呼吸槽盖板	CAP,BREATHER CHAMBER	T370_A;镀蓝白锌 Q16	1	C
13	380630026-0001	轴承	Bearing	GB/T 276_16003;	2	B
14	380650337-0001	油封	Oil seal	T110_d=35_D=52_b=7;含Hg/Cr6/Pb/PBB/PBDE≤10	1	A

