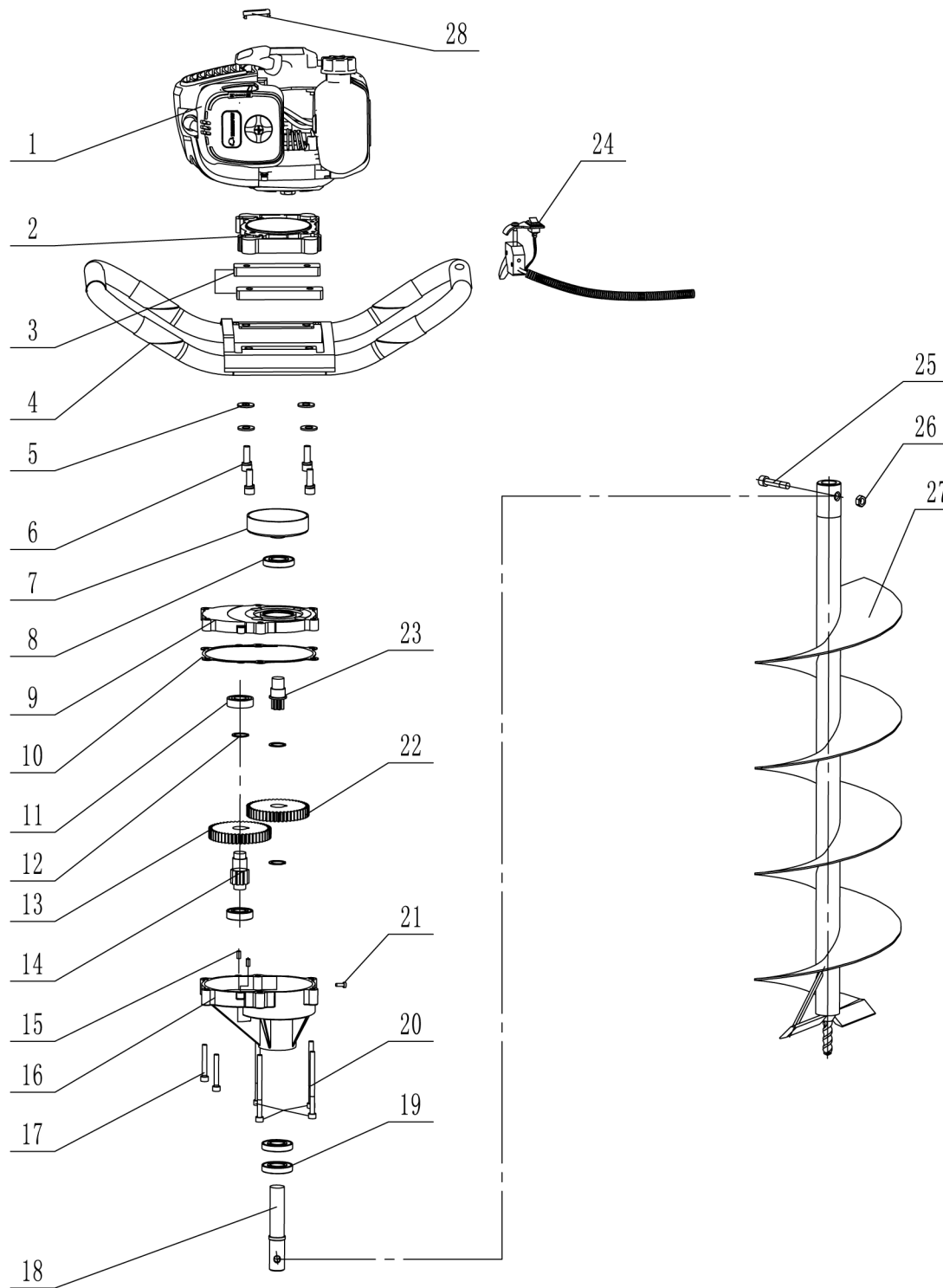


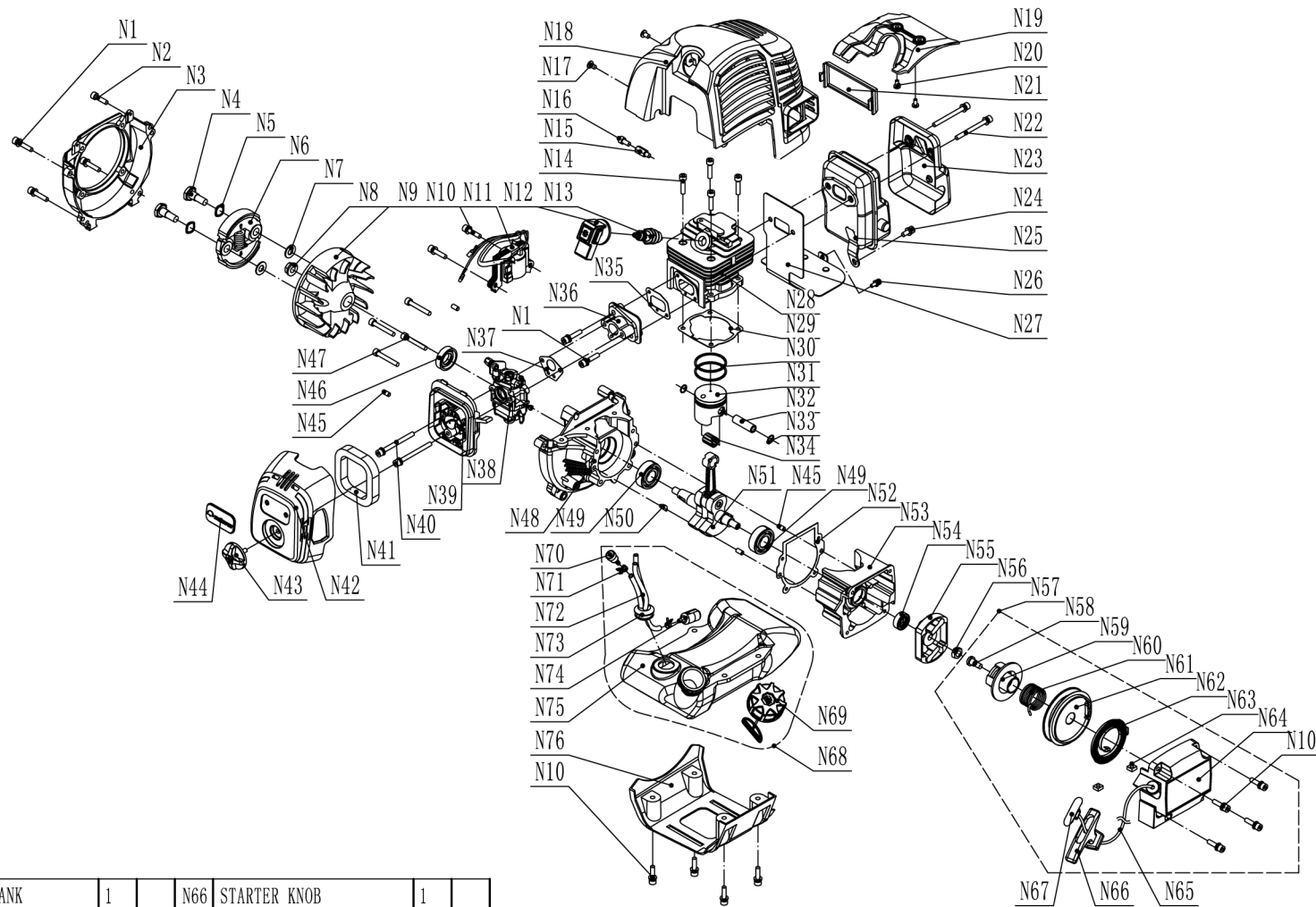
VeGA AG55 PRO 2018



28	cover plate	1	
27	driller	1	
26	nut M8×6.5	1	
25	bolt M8×50	1	
24	throttle level	1	
23	gear (7T)	1	
22	gear (48T)	1	
21	bolt M6×8	1	
20	bolt M6×50	4	
19	oil seal $\Phi 19 \times \Phi 37 \times 7$	1	
18	output shaft	1	
17	bolt M6×30	2	
16	gearcase	1	
15	straight pin $\Phi 5 \times 10$	2	
14	gear (10T)	1	
13	gear (44T)	1	
12	snap ring $\Phi 19$	3	
11	bearing $\Phi 16 \times \Phi 35 \times 11$	1	
10	gearcase cover	1	
9	gearcase cover	1	
8	bearing $\Phi 19 \times \Phi 41 \times 7$	2	
7	clutch cover	1	
6	bolt and spring pad ass. M5×35	4	
5	flat pad $\Phi 6.4 \times \Phi 22 \times 1.5$	4	
4	handle	1	
3	anti-vibration rubber cushion	2	
2	gearcase fixed plate	1	
1	gasoline engine	1	

No.	Description	Qty	
-----	-------------	-----	--

No.	ID Zboží	Název
1	50AG55V01	GASOLINE ENGINE
2	50AG55V02	GEARCASE FIXED PLATE
3	50AG55V03	ANTI-VIBRATION RUBBER CUSHION
4	50AG55V04	HANDLE
5	50AG55V05	FLAT PAD 6,4x22x1,5
6	50AG55V06	BOLT AND SPRING PAD ASS. M5x35
7	50AG55V07	CLUTCH COVER
8	50AG55V08	BEARING 19x41x7
9	50AG55V09	GEARCASE COVER
10	50AG55V10	GEARCASE COVER
11	50AG55V11	BEARING 16x35x11
12	50AG55V12	SNAP RING 19
13	50AG55V13	GEAR (44T)
14	50AG55V14	GEAR (10T)
15	50AG55V15	STRAIGHT PIN 5x10
16	50AG55V16	GEARCASE
17	50AG55V17	BOLT M6x30
18	50AG55V18	OUTPUT SHAFT
19	50AG55V19	OIL SEAL 19x37x7
20	50AG55V20	BOLT M6x50
21	50AG55V21	BOLT M6x8
22	50AG55V22	GEAR (48T)
23	50AG55V23	GEAR (7T)
24	50AG55V24	THROTTLE LEVEL
25	50AG55V25	BOLT M8x50
26	50AG55V26	NUT M8x6,5
27	50AG55V27	DRILLER
28	50AG55V28	COVER PLATE



N76	BRANKET, TANK	1	N66	STARTER KNOB	1
N75	TANK	1	N65	STARTER ROPE	1
N74	FUEL FILTER	1	N64	STARTER	1
N73	PIPE SET	1	N63	NUT	2
N72	FUEL PIPE	3	N62	SPRING	1
N71	CLIP	1	N61	REEL	1
N70	EQUILIBRATOR	1	N60	TORSION SPRING	1
N69	CAP	1	N59	RATCHET	1
N68	FUEL TANK ASS'Y		N58	SCREW	1
N67	COLLAR	1	N57	STARTER ASS'Y	

N56	NUT M8	1	N50	WOODRUFF KEY	1	N44	BRAND BADGE	1
N55	PULLET	1	N49	BEARING 6202	2	N43	KNOB	1
N54	OIL SEAL 12×22×7	1	N48	LEFT CRANKCASE	1	N42	COVER, FILTER	1
N53	RIGHT CRANKCASE	1	N47	BOLT M5×35	4	N41	ELEMENT	1
N52	GASKET, CRANKCASE	1	N46	OIL SEAL 10×30×7	1	N40	BOLT M5×55	2
N51	CRANKSHAFT	1	N45	PIN Ø5×10	4	N39	AIR FILTER SET	1

N38	CARBURATOR	1
N37	GASKET, CARBURATOR	1
N36	INLET PIPE	1
N35	GASKET, INLET PIPE	1
N34	NEEDLE BEARING	1
N33	SNAP RING, PISTON PIN	2
N32	PISTON PIN	1
N31	PISTON	1
N30	PISTON RING	2
N29	GASKET, CYLINDER	1
N28	CYLINDER	1
N27	GASKET, MUFFLER	1
N26	BOLT M4×14	1
N25	MUFFLER	1
N24	BOLT M5×10	1
N23	HEAT INSULATION, MUFFLER	1
N22	BOLT M6×55	2
N21	BRAND BADGE	1
N20	ST4×8	2
N19	TOP COVER	1
N18	COVER, CYLINDER	1
N17	BOLT M4×12	2
N16	BOLT M5×10	1
N15	BOLT	1
N14	BOLT M5×20	4
N13	SPARK PLUG	1
N12	CAP, SPARK PLUG	1
N11	IGNITION COIL	1
N10	BOLT M5×20	10
N9	FLYWHEEL	1
N8	FLANGE NUT M8	1
N7	WASHER	2
N6	CLUTCH	1
N5	WASHER	2
N4	SCREW, CLUTCH	2
N3	SIDE COVER	1
N2	BOLT M5×20	1
N1	BOLT M5×25	3
No.	Description	Qty

No.	ID Zboží	Název
N1	50BC525M01	Bolt M5x25
N2	50BC525M02	Bolt M5x20
N3	50BC525M03	Side cover
N4	50BC525M04	Screw, Clutch
N5	50BC525M05	Washer
N6	50BC525M06	Clutch
N7	50BC525M07	Washer
N8	50BC525M08	Flange nut M8
N9	50BC525M09	Flywheel
N10	50BC525M10	Bolt M5x20
N11	50BC525M11	Ignition coil
N12	50BC525M12	Cap, Spark plug
N13	50BC525M13	Spark plug
N14	50BC525M14	Bolt M5x20
N15	50BC525M15	Bolt
N16	50BC525M16	Bolt M5x10
N17	50BC525M17	Bolt M4x12
N18	50BC525M18	Cover, Cylinder
N19	50BC525M19	Top cover
N20	50BC525M20	ST4x8
N21	50BC525M21	Brand badge
N22	50BC525M22	Bolt M6x55
N23	50BC525M23	Heat insulation, Muffler
N24	50BC525M24	Bolt M5x10
N25	50BC525M25	Muffler
N26	50BC525M26	Bolt M4x14
N27	50BC525M27	Gasket, Muffler
N28	50BC525M28	Cylinder
N29	50BC525M29	Gasket, cylinder
N30	50BC525M30	Piston ring
N31	50BC525M31	Piston
N32	50BC525M32	Piston pin
N33	50BC525M33	Snap ring. Piston pin
N34	50BC525M34	Needle bearing
N35	50BC525M35	Gasket, Inlet pipe
N36	50BC525M36	Inlet pipe
N37	50BC525M37	Gasket, Carburator
N38	50BC525M38	Carburator
N39	50BC525M39	Air filter set
N40	50BC525M40	Bolt M5x55
N41	50BC525M41	Element
N42	50BC525M42	Cover, filtre
N43	50BC525M43	Knob
N44	50BC525M44	Brand badge
N45	50BC525M45	Pin \varnothing 5x10
N46	50BC525M46	Oil seal 10x30x7
N47	50BC525M47	Bolt M5x35
N48	50BC525M48	Left crankcase
N49	50BC525M49	Bearing 6202

No.	ID Zboží	Název
N50	50BC525M50	Woodruff key
N51	50BC525M51	Crankshaft
N52	50BC525M52	Gasket, crankcase
N53	50BC525M53	Right crankcase
N54	50BC525M54	Oil seal 12x22x7
N55	50BC525M55	Pullet
N56	50BC525M56	Nut M8
N57	50BC525M57	Starter ass'y
N58	50BC525M58	Screw
N59	50BC525M59	Ratchet
N60	50BC525M60	Torsion spring
N61	50BC525M61	Reel
N62	50BC525M62	Spring
N63	50BC525M63	Nut
N64	50BC525M64	Starter
N65	50BC525M65	Starter rope
N66	50BC525M66	Starter knob
N67	50BC525M67	Collar
N68	50BC525M68	Fuel tank ass'y
N69	50BC525M69	Cap
N70	50BC525M70	Equilibrator
N71	50BC525M71	Clip
N72	50BC525M72	Fuel pipe
N73	50BC525M73	Pipe set
N74	50BC525M74	Fuel filter
N75	50BC525M75	Tank
N76	50BC525M76	Branket, tank