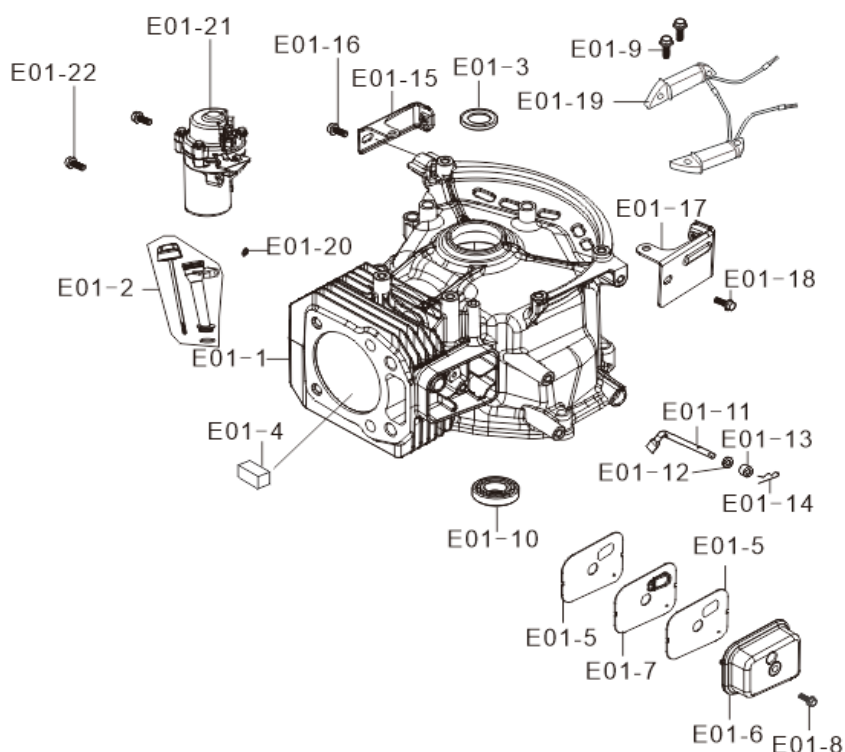
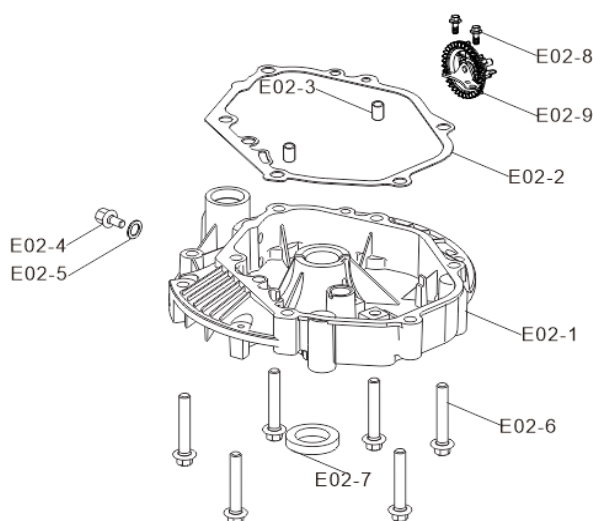


CRANKCASE / GOVERNOR GEAR ASSY



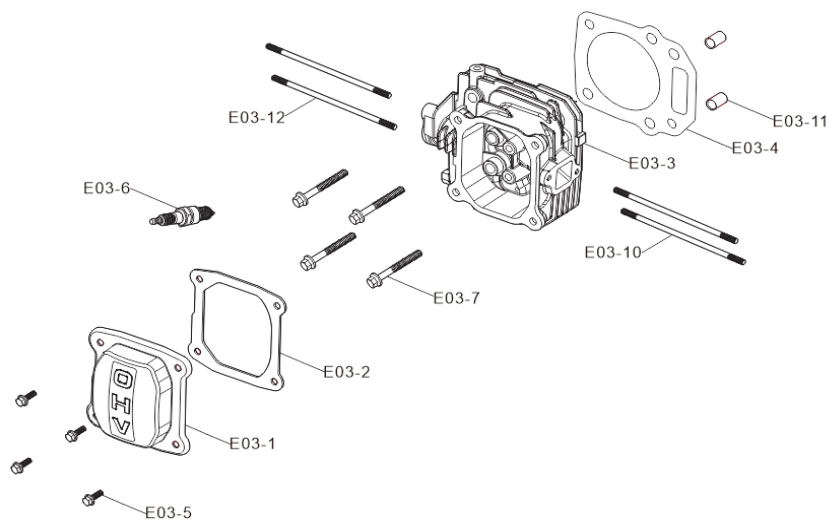
Pozice	Obj.číslo	Popis	Počet
E01-1	11310-Z391111-0BA0	Crankcase Subassembly.	1
E01-2	15010-Z760120-Q2A0	Dipstick Subassembly, Oil	1
E01-3	90682-Z030120-00A0	Seal, Oil	1
E01-4	11331-Z5W0211-00A0	Strainer, Breath Groove	1
E01-5	11332-Z5W0110-00A0	Gasket, Breath Groove	2
E01-6	11333-Z5W0112-00A0	Plate, Breath Groove Cover	1
E01-7	11320-Z5W0111-00A0	Stop Engine Piece Subassembly	1
E01-8	90007-0635-A1A0	Hexagon Socket Flange Face Bolt - Big Series - Grade B	1
E01-9	90007-0625-A1A0	Bolt	2
E01-10	90548-0205-CLA0	Deep Groove Ball Bearing	1
E01-11	16061-Z030120-00A0	Arm, Governor	1
E01-12	90408-Z010210-00A0	Flat Washer	1
E01-13	90682-Z030210-00A0	Seal, Oil	1
E01-14	90501-Z010110-00A0	Cotter Pin	1
E01-15	16608HZ390610-00A0	Bracket, Fuel Tank Right	1
E01-16	90007-0635-A1A0	Hexagon Socket Flange Face Bolt - Big Series - Grade B	1
E01-17	16607HZ390210-00A0	Bracket, Fuel Tank Left	1
E01-18	90007-0612-A1A0	Hexagon Socket Flange Face Bolt - Big Series - Grade B	1
E01-19	30140-Z390411-0000	Coil Subassembly, Charge	1
E01-20	90408-U060110-00A0	Flat Washer	1
E01-21	30300-Z390614-0000	Starting Motor Assembly	1
E01-22	90007-0630-A1A0	Hexagon Socket Flange Face Bolt - Big Series - Grade B	2

CRANKCASE COVER SUBASSY



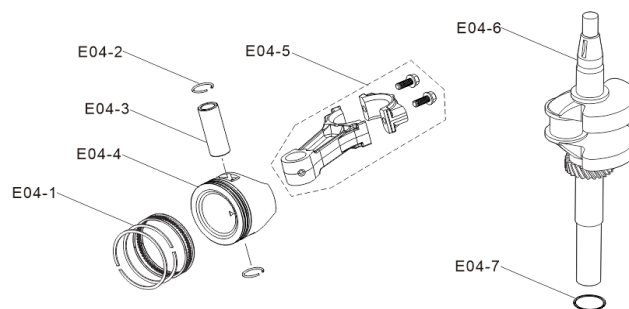
Pozice	Obj.číslo	Popis	Počet
E02-1	11411-Z390210-0BA0	Cover, Crankcase	1
E02-2	11001-Z390111-00A0	Gasket, Crankcase	1
E02-3	90502-0812-00A0	Position Pin - Type A	2
E02-4	11007-Z010110-00A0	Bolt, Drain Plug	1
E02-5	90408-Z010110-00A0	Flat Washer	1
E02-6	90001-Z030310-00A0	Bolt	6
E02-7	90682-Z470110-00A0	Seal, Oil	1
E02-8	90007-0612-A1A0	Bolt	2
E02-9	16400-Z470230-00A0	Gear Assy, Governor	1

CYLINDER HEAD SUBASSY / SPARK PLUG



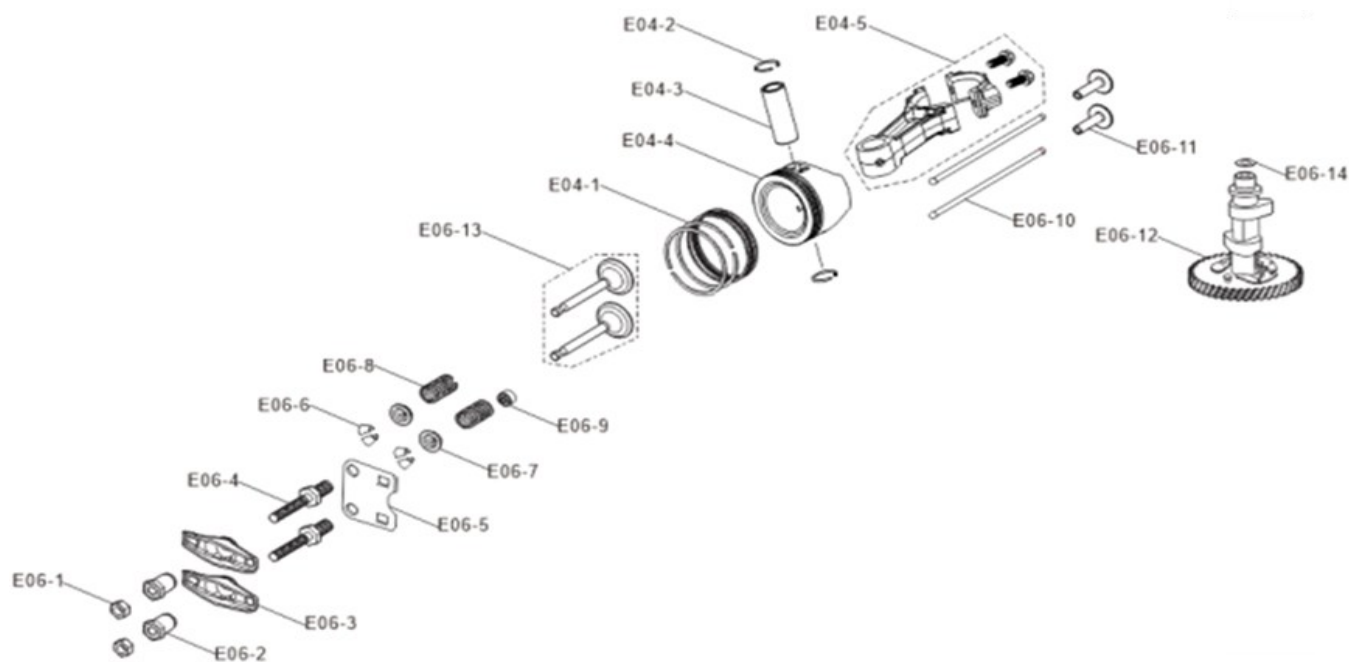
Pozice	Obj.číslo	Popis	Počet
E03-1	12411-Z030120-00A0	Cover, Cylinder Head	1
E03-2	12004-Z030110-00A0	Cylinder Head Cover Gasket	1
E03-3	12140-Z390410-00A0	Head Subassembly, Cylinder	1
E03-4	12131-Z5W0110-00A0	Gasket, Cylinder Head	1
E03-5	90007-0612-A1A0	Hexagon Socket Flange Face Bolt - Big Series - Grade B	4
E03-6	30010-Z030310-00A0	Plug, Spark	1
E03-7	12003-Z320110-00A0	Cylinder Head Bolt	4
E03-10	90204-Z020610-00A0	Stud Bolt	2
E03-11	90502-1014-00A0	Position Pin - Type A	2
E03-12	90204-Z5W0111-00A0	Stud Bolt	2

CRANKSHAFT CONNETING ROD



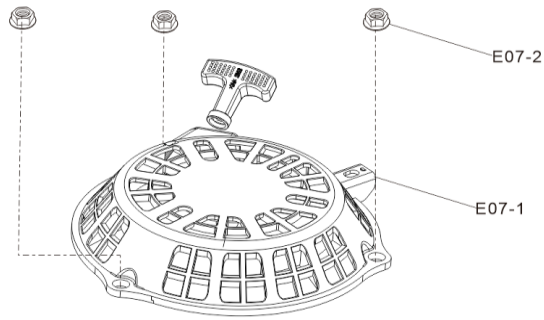
Pozice	Obj.číslo	Popis	Počet
E04-1	13200-ZC80110-00A0	Ring Assy, Piston	1
E04-2	13122-Z010110-00A0	Clip, Piston Pin	2
E04-3	13121-Z010110-00A0	Pin, Piston	1
E04-4	13111-Z390110-0000	Piston	1
E04-5	13010-Z390310-0000	Rod, Connecting	1
E04-6	13300-Z5W1212-00A0	Crankshaft Assy.	1
E04-9	90408-Z030210-00A0	Flat Washer	1

VALVE TRAIN / CAMSHAFT SUBASSY



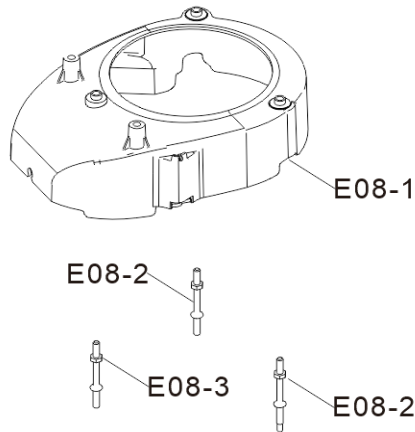
Pozice	Obj.číslo	Popis	Počet
E06-1	14312-Z010110-00A0	Nut, Valve Lock	2
E06-2	14314-Z010110-00A0	Nut, Valve Adjusting	2
E06-3	14311-Z010110-00A0	Rocker, Valve	2
E06-4	14313-Z010110-00A0	Rockshaft Bolt	2
E06-5	14091-Z340110-00A0	Plate, Liter Limited	1
E06-6	12109-Z810110-00A0	Clamp, Valve Lock	4
E06-7	12112-Z810210-00A0	Seat, Valve Spring	2
E06-8	12103-Z030110-00A0	Spring, Valve	2
E06-9	12101-Z810210-00A0	Guide, Seal	1
E06-10	14071-Z470110-00A0	Lifter, Valve	2
E06-11	14081-Z010110-00A0	Tappet, Valve	2
E06-12	14200-Z390410-0000	Camshaft Assy.	1
E06-13	12110-Z390210-0000	Valves Set	1
E06-14	90408-Z470210-00A0	Flat Washer	1

RECOIL STARTER



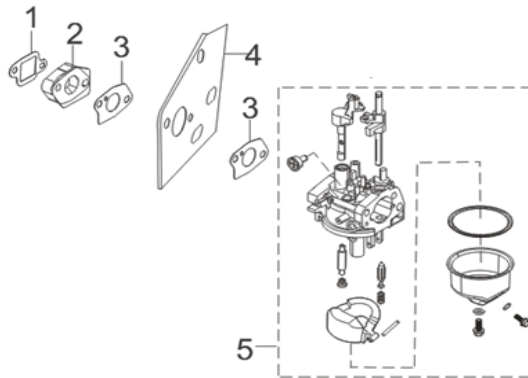
Pozice	Obj.číslo	Popis	Počet
E07-1	28200-Z251711-Q2A0	Starter Assy, Recoil	1
E07-2	90305-0600-31A0	Hexagon Nut With Flange	3

FAN SHIELD



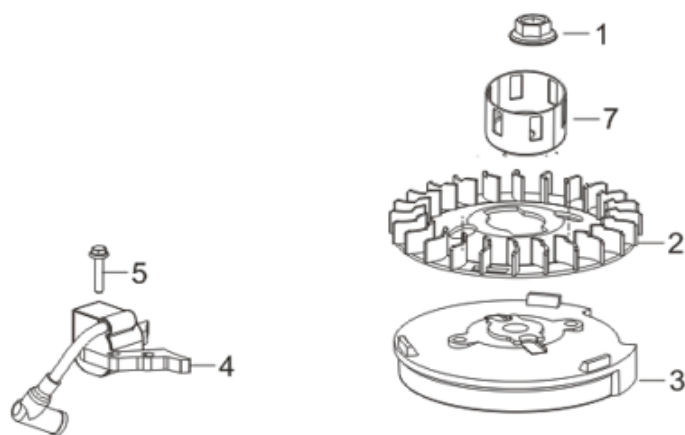
Pozice	Obj.číslo	Popis	Počet
E08-1	28110-Z760210-00A0	Shroud	1
E08-2	28001-Z030111-00A0	Double Head Support Bolt	2
E08-3	28001-Z030220-00A0	Double Head Support Bolt	1

CARBURETOR ASSY.



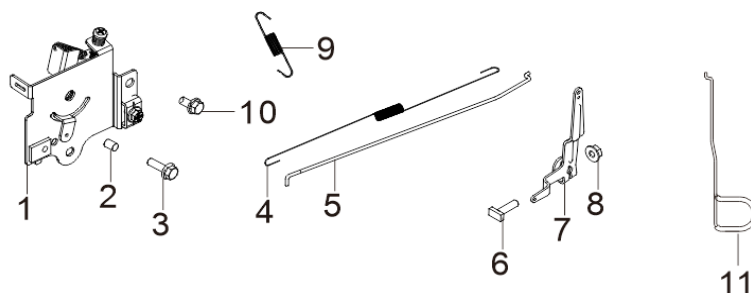
Pozice	Obj.číslo	Popis	Počet
E09-1	16004-Z030111-00A0	Gasket, Insulator Plate	1
E09-2	16003-Z030110-00A0	Plate, Carburetor Insulator	1
E09-3	16001-Z010110-00A0	Carburetor Seal Gasket	2
E09-4	16002-Z5W0110-00A0	Gasket, Carburetor Insulator	1
E09-5	16100-Z394610-0000	Carburetor Assy.	1

FLYWHEEL / IMPELLER / STARTER PULLEY / IGNITION COIL



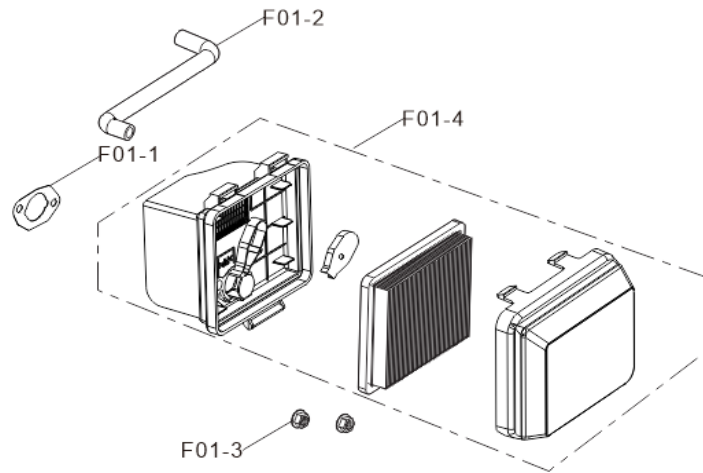
Pozice	Obj.číslo	Popis	Počet
E10-1	13501-Z010110-00A0	Nut, Flywheel	1
E10-2	19352-Z010110-00A0	Impeller	1
E10-3	13510-Z620320-00A0	Flywheel Subassembly	1
E10-4	30400-Z760110-00A1	Coil, Ignition	1
E10-5	90007-0625-A1A0	Bolt	1
E10-7	28002-Z020120-00A0	Pulley, Starter	1

THROTTLE CONTROL ASSY



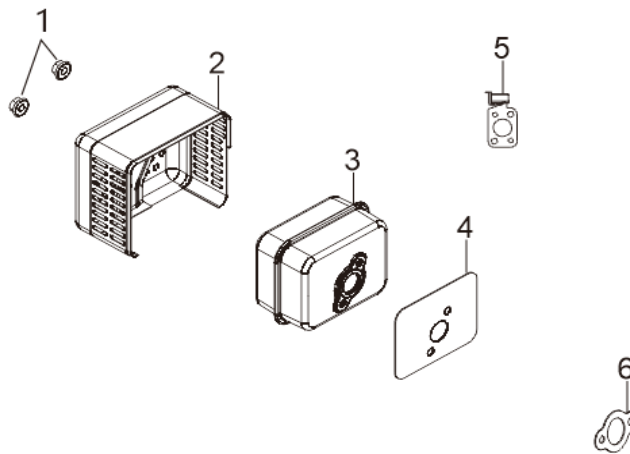
Pozice	Obj.číslo	Popis	Počet
E13-1	16520-Z391311-01A0	Control Assy, Throttle	1
E13-2	90683-Z340110-00A0	Bush	1
E13-3	90007-0640-A1A0	Hexagon Socket Flange Face Bolt - Big Series - Grade B	1
E13-4	16012-Z470110-00A0	Spring, Throttle Valve Returning	1
E13-5	16062-Z470110-00A0	Rod, Governeor	1
E13-6	16072-Z010110-00A0	Bolt, Governor Support	1
E13-7	16070-Z030130-00A0	Governor Bracket Subassembly	1
E13-8	90305-0600-31A0	Hexagon Nut With Flange	1
E13-9	16063-Z020410-00A0	Spring, Governor	1
E13-10	90007-0625-A1A0	Hexagon Socket Flange Face Bolt - Big Series - Grade B	1
E13-11	16123-Z390311-0000	Choke Pull Rod	1

AIR CLEANER



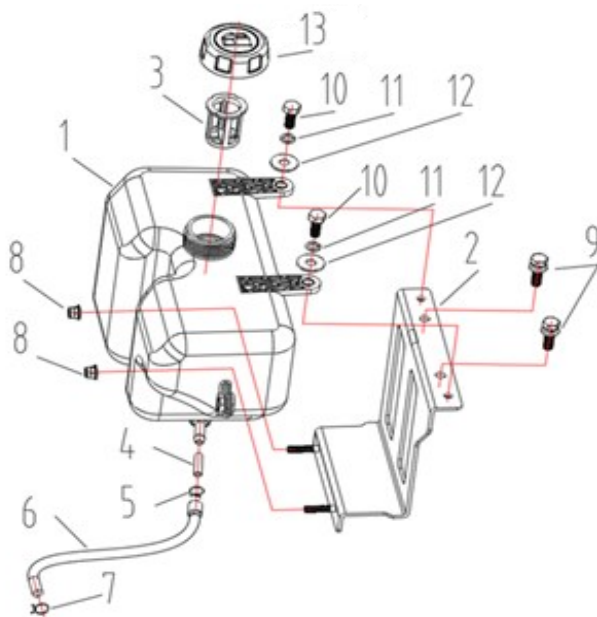
Pozice	Obj.číslo	Popis	Počet
F01-1	17001-Z390210-0000	Air Cleaner Seal Gasket	1
F01-2	17004-Z5W0610-00A0	Tube, Breather	1
F01-3	90305-0600-31A0	Hexagon Nut With Flange	2
F01-4	17100-Z3F1111-0000	Air Cleaner	1

MUFFLER ASSY



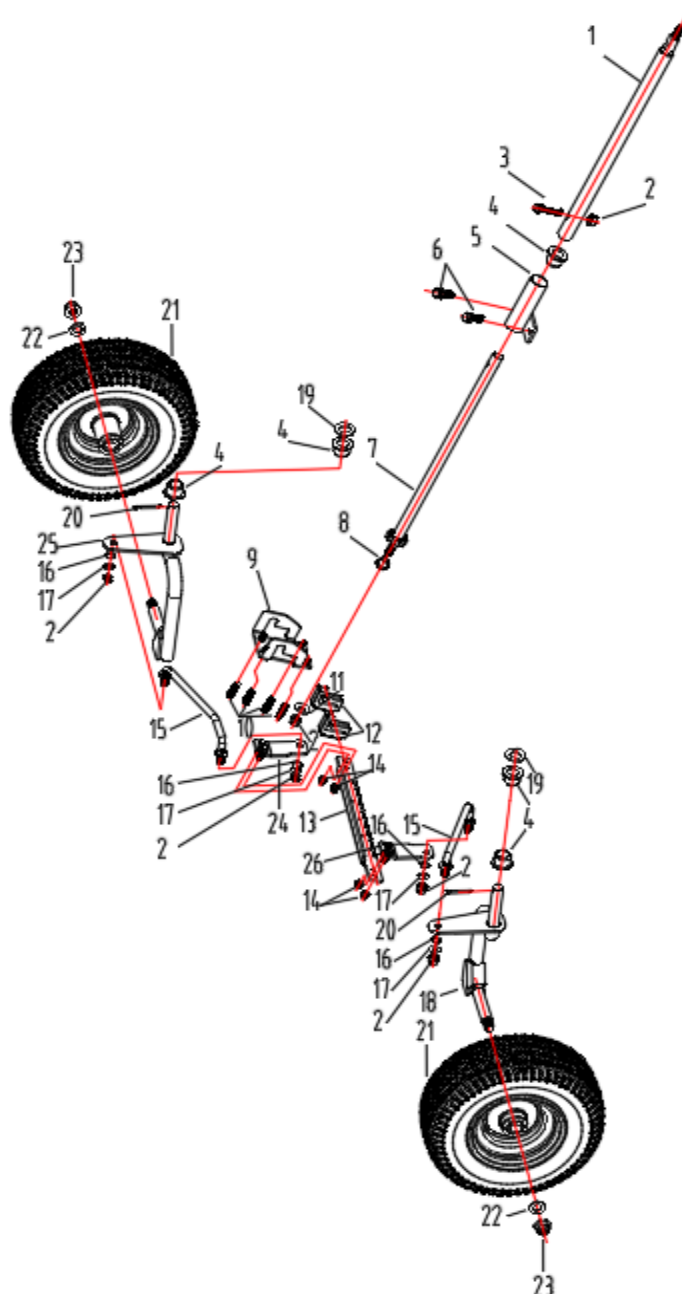
Pozice	Obj.číslo	Popis	Počet
F02-1	90310-0800-31A0	Type 2 All Metal Hexagon Lock Nut With Flange	2
F02-2	18130-Z390510-H7A1	Muffler Outer Cover	1
F02-3	18100-Z390310-H7A0	Muffler Assy.	1
F02-4	18001-Z5W0210-00A0	Gasket, Exhaust Outlet	1
F02-5	16260-Z5W0110-00A0	Mechanical, Temperature Control	1
F02-6	18001-Z5W0311-0000	Gasket, Exhaust Outlet	1

FUEL TANK ASSY



Pozice	Obj.číslo	Popis	Počet
S1-1	16600-G290110-Q200	Tank Assy, Fuel	1
S1-2	16605-G770110-H600	Fuel tank installation bracket assembly	1
S1-3	16666-Z620140-00A0	Filling Oil Hole Filter Subassembly	1
S1-4	16652-Z030110-00A0	Strainer, Fuel	1
S1-5	90685-1000-01A0	Pipe Clamp	1
S1-6	90686-G290110-0000	Tube, Fuel	1
S1-7	90740-Z010510-00A0	Collar	1
S1-8	90308-0600-31A2	Type 2 Non-Metallic Insert Hexagon Lock Nut With Flange	2
S1-9	90262-0820-A1A1	Hexagon Head Bolt, Spring Washer And Flat Washer Assembly	2
S1-10	90005-0620-01A2	Hexagonal Head Bolt - Full Thread	2
S1-11	90403-0600-01A2	Standard Spring Washer	2
S1-12	90407-0600-01A2	Large Washer - Grade C	2
S1-13	16730-G290110-Q200	Fuel tank cap	1

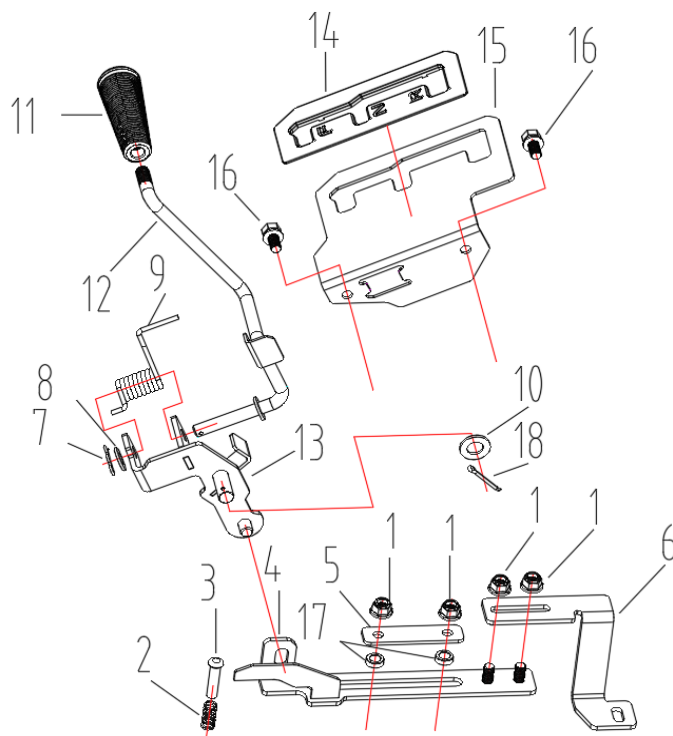
FRONT WHEEL ASSY / STEERING



Pozice	Obj.číslo	Popis	Počet
S2-1	54849-G290110-H600	Cover, Steering Wheel Decorated	1
S2-2	90308-0800-31A2	Type 2 Non-Metallic Insert Hexagon Lock Nut With Flange	6
S2-3	54847-G290110-0L00	Cover, Steering Wheel Decorated	1
S2-4	45204-G290110-Q200	Sleeve, Wheel Shaft	5
S2-5	50277-G770110-H600	Seat, Steering Column	1
S2-6	90262-0820-A1A1	Hexagon Head Bolt, Spring Washer And Flat Washer Assembly	2
S2-7	54850-G290110-H600	Steering Wheel Decorated	1
S2-8	54848-G290110-Q200	Directional column bushing	1
S2-9	54001-G770110-H600	Rack mounting seat	1
S2-10	90262-0620-A1A0	Hexagon Head Bolt, Spring Washer And Flat Washer Assembly	4
S2-11	90407-0800-01A2	Large Washer - Grade C	1
S2-12	54002-G290110-Q200	Rack guide sleeve	2
S2-13	54854-G770110-H600	Steering rack	1
S2-14	90308-0600-31A2	Type 2 Non-Metallic Insert Hexagon Lock Nut With Flange	4
S2-15	54401-G290110-H600	Rod, Steering	2

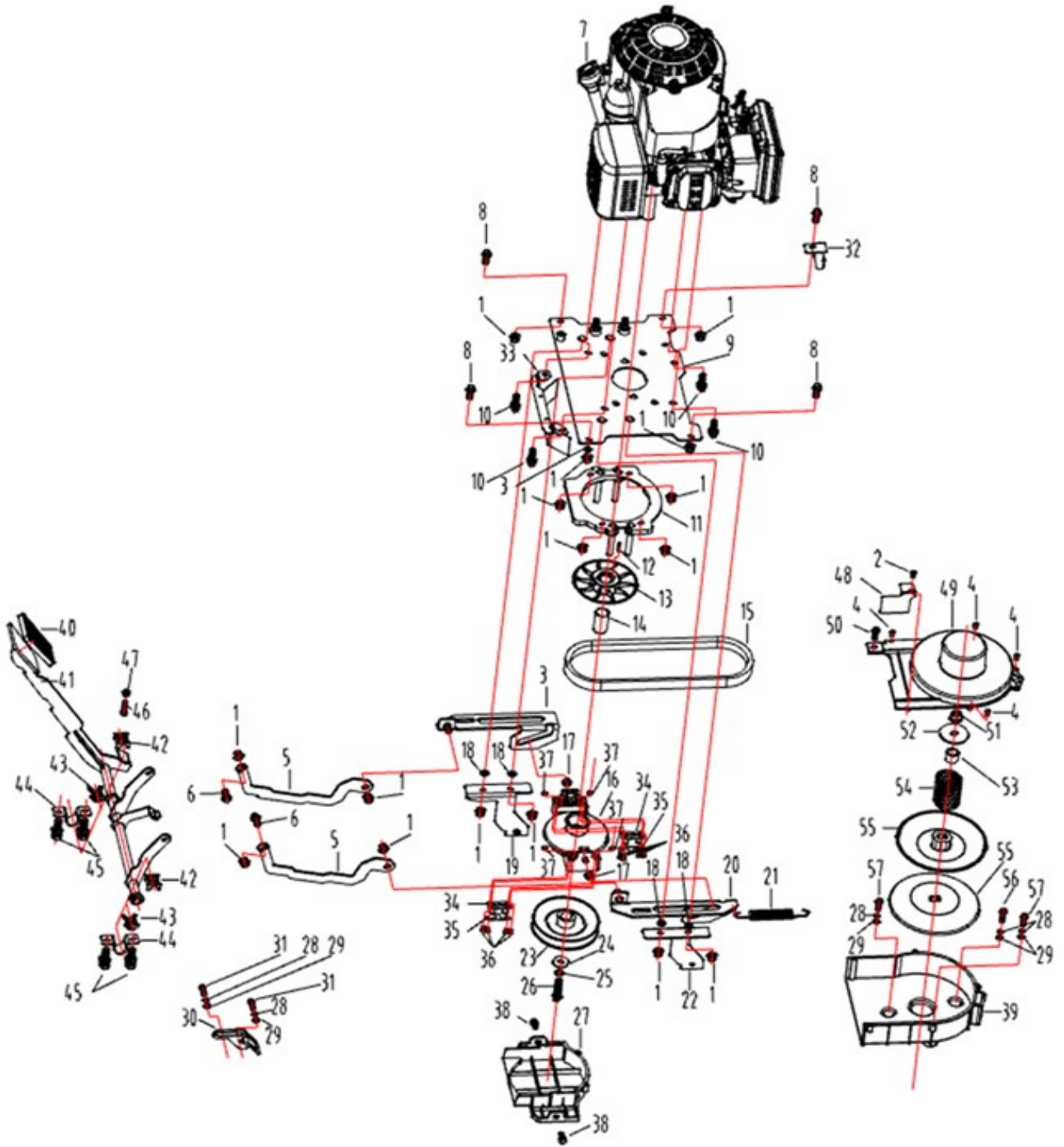
S2-16	90405-G290110-0600	Wave Elastic Washer	4
S2-17	90408-1000-01A2	Flat Washer - Grade A	4
S2-18	44005-G770110-H600	Left front axle assembly	1
S2-19	90408-1600-01A2	Flat Washer - Grade A	2
S2-20	90501-0336-01A2	Cotter Pin	2
S2-21	44100-G770110-LB00	Wheel Assy, Front	2
S2-22	90408-1200-01A2	Flat Washer - Grade A	2
S2-23	90308-1200-31A2	Type 2 Non-Metallic Insert Hexagon Lock Nut With Flange	2
S2-24	54852-G290111-H600	Right turn limit plate	1
S2-25	44008-G770110-H600	Right front axle assembly	1
S2-26	54855-G290111-H600		1

SHIFTING ASSY



Pozice	Obj.číslo	Popis	Počet
S3-1	90308-0800-31A2	Type 2 Non-Metallic Insert Hexagon Lock Nut With Flange	4
S3-2	23139-G290110-0100	Limit pin return spring	1
S3-3	23133-G290110-0L00		1
S3-4	23140-G290110-H600		1
S3-5	23103-G290210-H600	Hexagon socket cylindrical head screw	1
S3-6	23142-G290110-H600		1
S3-7	90583-1032-01A2		1
S3-8	90408-1000-01A2	Flat Washer - Grade A	1
S3-9	23135-G290110-0100	Shift lever torsion spring	1
S3-10	90408-1200-01A2	Flat Washer - Grade A	1
S3-11	50608-G770110-Q200	Shift handle cover	1
S3-12	23136-G770110-0L00		1
S3-13	23130-G290110-H600		1
S3-14	50602-G290110-Q200	Gear position marking sleeve	1
S3-15	23131-G290110-H600	Gear plate	1
S3-16	90262-0820-A1A1	Hexagon Head Bolt, Spring Washer And Flat Washer Assembly	2
S3-17	23118-G290110-0L00	Shift push and pull plate washer	2
S3-18	90501-2525-01A1	Cotter Pin	1

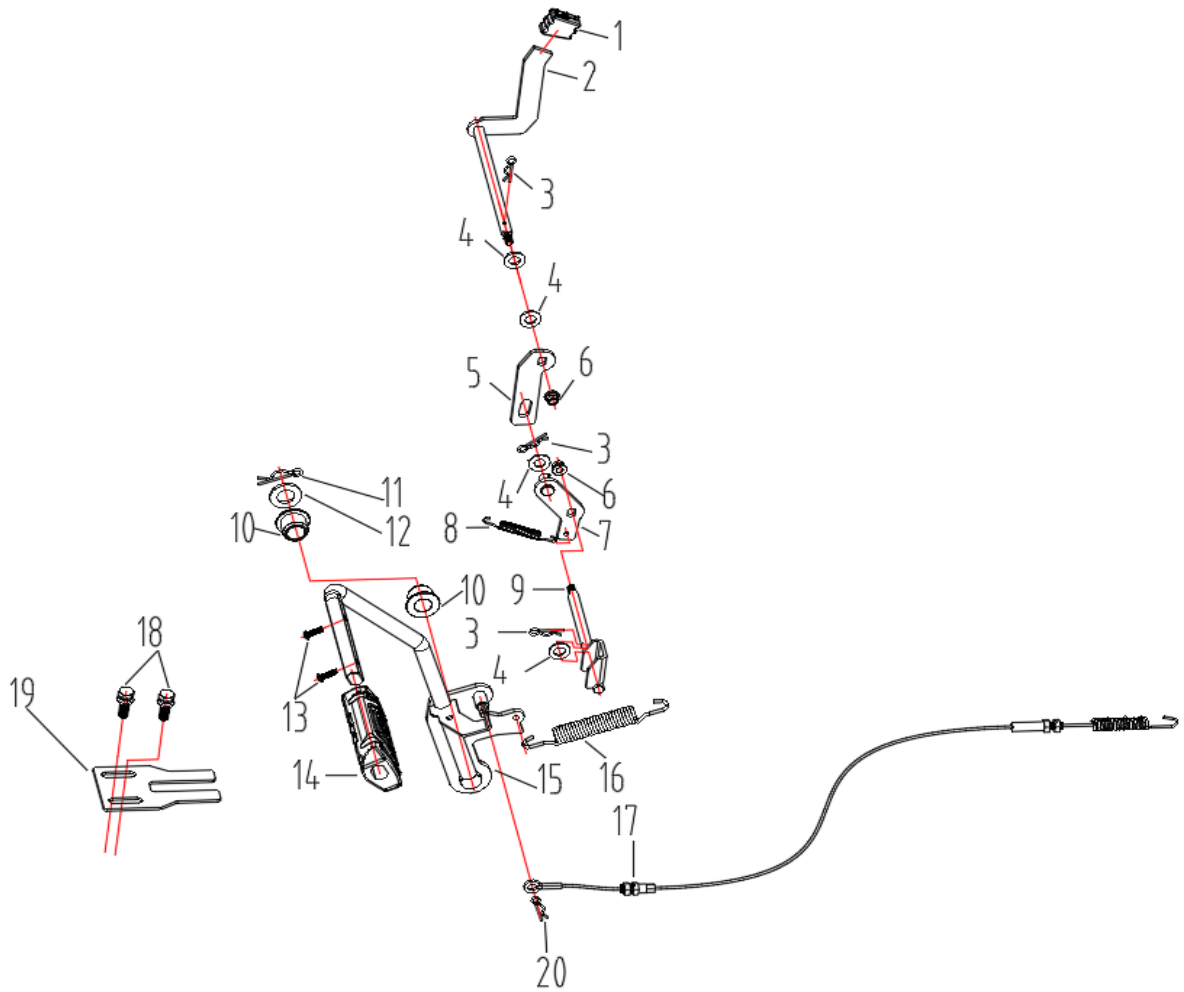
DRIVE SYSTEM ASSY / ENGINE



Pozice	Obj.číslo	Popis	Počet
S4-1	90308-0800-31A2	Type 2 Non-Metallic Insert Hexagon Lock Nut With Flange	16
S4-2	90107-4219-01A1	Cross-Recessed Pan Head Self-Tapping Screw	1
S4-3	50614-G290110-H600		1
S4-4	90107-4216-01A1	Cross-Recessed Pan Head Self-Tapping Screw	4
S4-5	24063-G290110-H600	Transmission Connection Board	2
S4-6	86006-G290110-0L00	Seat installation bolts	2
S4-7	ROG0Z5X01U-0000052	RV225D-X engine	1
S4-8	90007-0820-A1A2	Hexagon Socket Flange Face Bolt - Big Series - Grade B	4
S4-9	51211-G290110-H600	Engine Fixed Plate	1
S4-10	90262-0835-A1A1	Hexagon Head Bolt, Spring Washer And Flat Washer Assembly	4
S4-11	50605-G290110-0000	Guide seat component	1

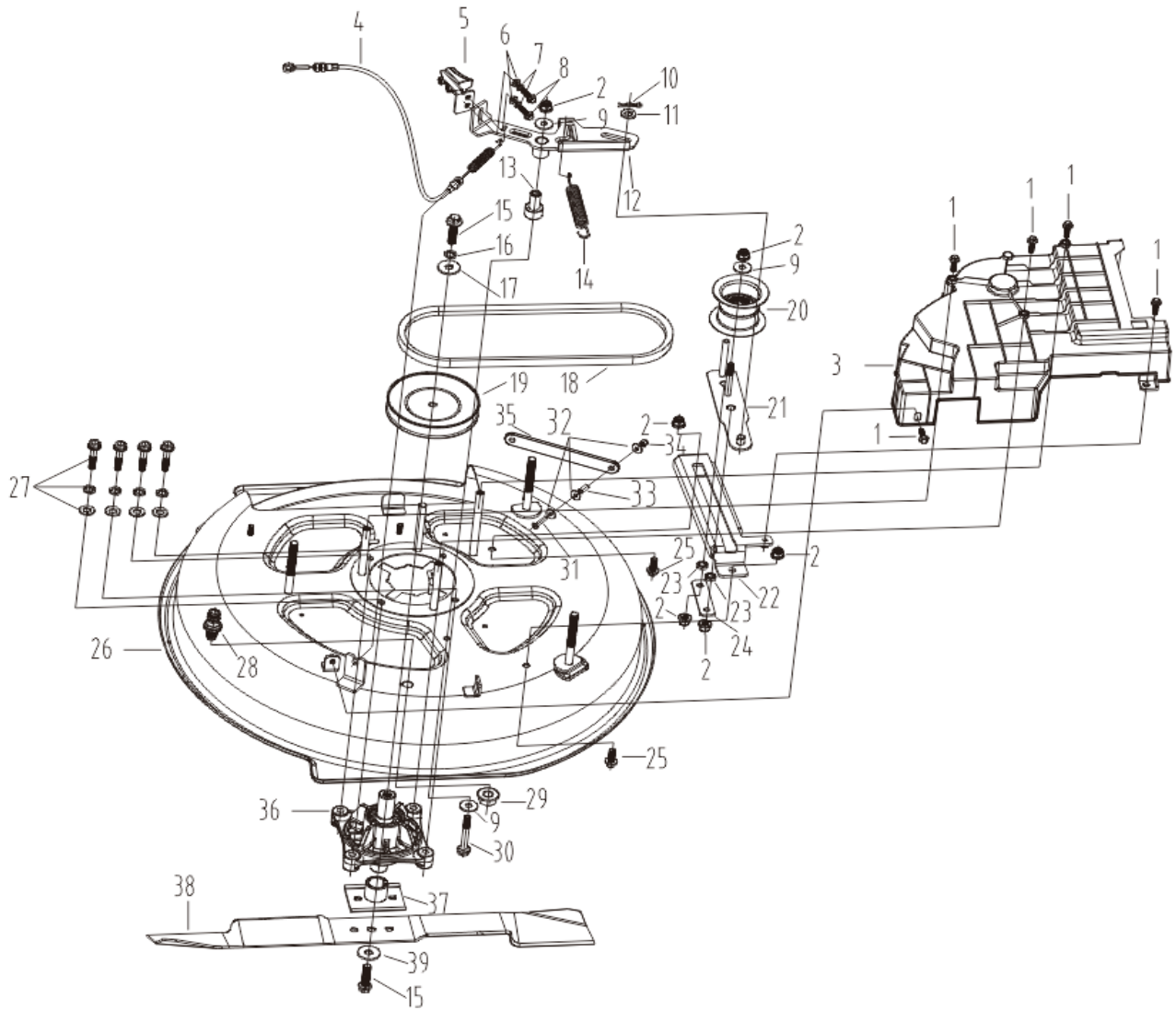
S4-12	90522-G290110-0000	General Flat Key	1
S4-13	26011-G290110-0000	Active fixing disk	1
S4-14	26009-G290110-0L00	Mobile disc bushing	1
S4-15	26001-G290110-0000	CVT drive belt	1
S4-16	26010-G290110-0000	Actively move the disk component	1
S4-17	26008-G290110-0000	Move the bearing sleeve of the disc seat	2
S4-18	51214-G290110-0000	Pull plate bushing	4
S4-19	50610-G770110-H600	Right bracket of the lower shield	1
S4-20	50615-G290110-H600	Actively move the left pull plate of the disk	1
S4-21	24057-G290110-0100	Shifting Pedal Returning Spring	1
S4-22	50611-G770110-H600	Left bracket of the lower shield	1
S4-23	76305-G290110-0L00	Belt Pulley	1
S4-24	90407-1000-01A2	Large Washer - Grade C	1
S4-25	90403-1000-01A2	Standard Spring Washer	1
S4-26	90007-Z2P0310-00A0	Hexagon Socket Flange Face Bolt - Big Series - Grade B	1
S4-27	50613-G290110-Q200	Actively lower the protective shield	1
S4-28	90403-0600-01A2	Standard Spring Washer	5
S4-29	90408-0600-01A2	Flat Washer - Grade A	5
S4-30	30204-G770110-H600	Switch bracket	1
S4-31	90005-0616-01A1	Hexagonal Head Bolt - Full Thread	2
S4-32	79595-G770110-H600	Grass collection pipe support	1
S4-33	16673-G770110-H600	Shield	1
S4-34	16287-G290110-0000	Dust-Proof Cap	2
S4-35	30079-G290310-H600	Pressure Plate	2
S4-36	90103-0516-51A2	Cross-Recessed Pan Head Screw	8
S4-37	90682-Z100210-00A0	Oil seal	4
S4-38	90262-0620-A1A0	Hexagon Head Bolt, Spring Washer And Flat Washer Assembly	2
S4-39	26004-G290110-Q200	Lower guard cover of the driven disc	1
S4-40	50601-G290110-Q200	Rubber sleeve of the gear shift pedal	1
S4-41	24050-G770110-H600	Transmission pedal component	1
S4-42	73010-G290110-Q200	Cutter Rear Hanger Shaft Upper Sleeve	2
S4-43	73011-G290110-Q200	Cutter Rear Hanger Shaft Lower Sleeve	2
S4-44	73012-G290110-H600	Cutter Rear Hanger Shaft Seat	2
S4-45	90262-0820-A1A1	Hexagon Head Bolt, Spring Washer And Flat Washer Assembly	4
S4-46	90005-0630-01A2	Hexagonal Head Bolt - Full Thread	1
S4-47	90305-0600-01A1	Hexagon Nut With Flange	1
S4-48	16673-G770210-H600	Shield	1
S4-49	26003-G290110-Q200	Guard on the driven disc	1
S4-50	90007-0616-01A1	Hexagon Socket Flange Face Bolt - Big Series - Grade B	1
S4-51	90308-1200-31A2	Type 2 Non-Metallic Insert Hexagon Lock Nut With Flange	1
S4-52	11101-G290110-H600	Retainer, Spring	1
S4-53	26013-G290110-0000	Driven disc limit sleeve	1
S4-54	30444-G290110-0100	Spring, Compaction	1
S4-55	26002-G290110-0L00	Driven fixed disk	2
S4-56	90007-0628-01A1	Hexagon Socket Flange Face Bolt - Big Series - Grade B	1
S4-57	90007-0620-A1A1	Hexagon Socket Flange Face Bolt - Big Series - Grade B	2

BRAKE ASSY



Pozice	Obj.číslo	Popis	Počet
S5-1	46066-G290110-Q200	Rubber sleeve for parking control panel	1
S5-2	40080-G290110-H600	Parking Connecting Rod Assembly	1
S5-3	90583-1032-01A2		3
S5-4	90408-1000-01A2	Flat Washer - Grade A	4
S5-5	40079-G290110-H600	Parking connection plate	1
S5-6	90308-0600-31A2	Type 2 Non-Metallic Insert Hexagon Lock Nut With Flange	2
S5-7	46065-G290110-H600	Parking reset board	1
S5-8	46064-G290110-0100	Parking reset spring	1
S5-9	46060-G290110-H600	Parking limit assembly	1
S5-10	45204-G290110-Q200	Sleeve, Wheel Shaft	2
S5-11	90583-1643-01A2		1
S5-12	90408-1600-01A2	Flat Washer - Grade A	1
S5-13	90103-0516-51A2	Cross-Recessed Pan Head Screw	2
S5-14	40076-G290110-Q200		1
S5-15	40070-G770110-H600	Brake Pedal Components	1
S5-16	45212-G290110-0100	Spring, Brake Arm Return	1
S5-17	45207-G290110-0000	Brake Cable	1
S5-18	90262-0820-A1A1	Hexagon Head Bolt, Spring Washer And Flat Washer Assembly	2
S5-19	45215-G770110-H600	Brake arm limit plate	1
S5-20	90583-0827-01A2		1

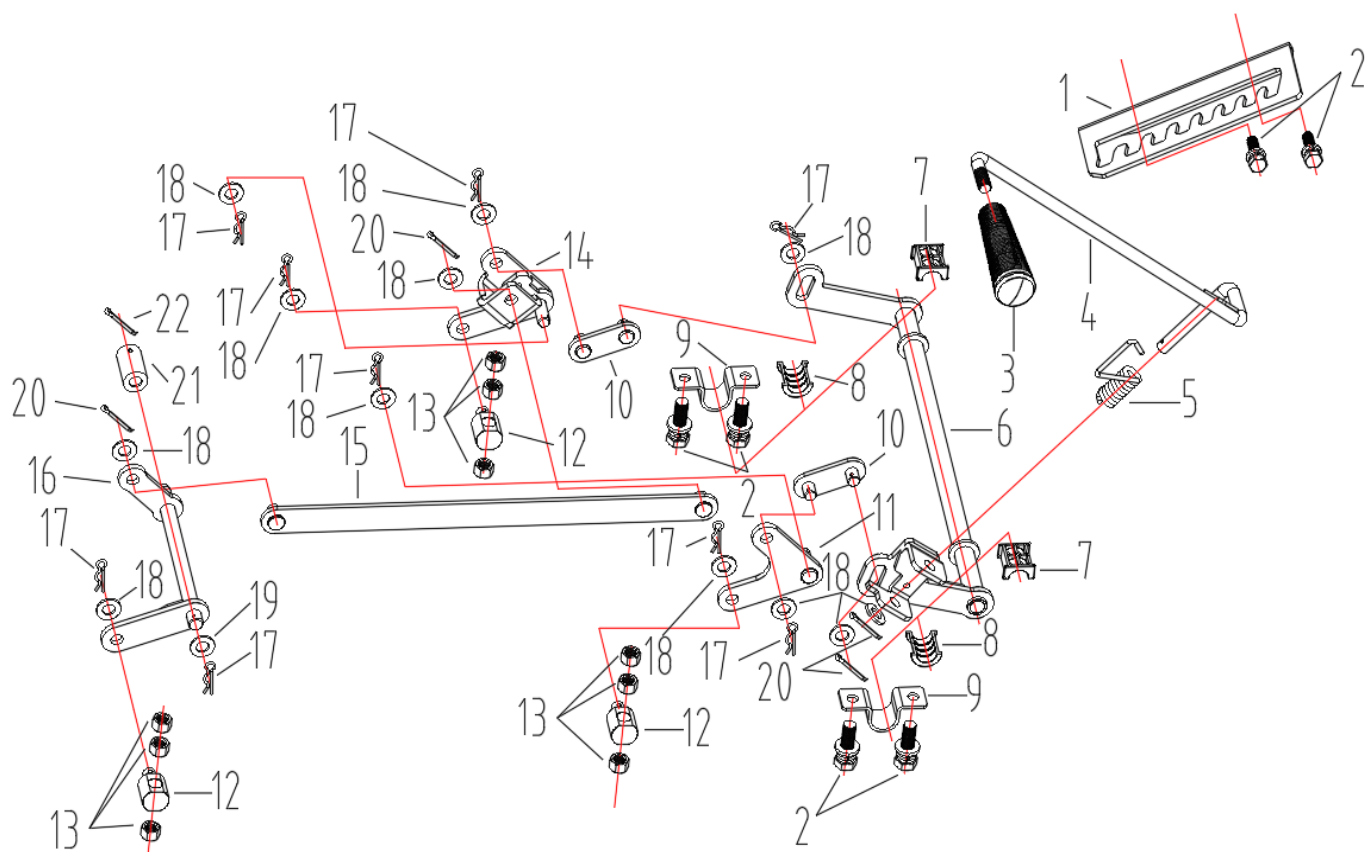
MOWING DECK / BLADE



Pozice	Obj.číslo	Popis	Počet
S6-1	90007-0620-A1A1	Hexagon Socket Flange Face Bolt - Big Series - Grade B	5
S6-2	90308-0800-31A2	Type 2 Non-Metallic Insert Hexagon Lock Nut With Flange	6
S6-3	76306-G290110-Q200	Belt Guard	1
S6-4	54020-G290111-0000	Cable, Clutch	1
S6-5	76230-G290110-H600	Belt braking assembly	1
S6-6	90408-0600-01A2	Flat Washer - Grade A	2
S6-7	90403-0600-01A2	Standard Spring Washer	2
S6-8	90001-0620-01A1	Hexagon Socket Flange Face Bolt - Small Series	2
S6-9	90407-0800-01A2	Large Washer - Grade C	3
S6-10	90583-1032-01A2		1
S6-11	90408-1000-01A2	Flat Washer - Grade A	1
S6-12	76215-G770111-H600	Tension Block	1
S6-13	76224-G290110-0L00	The tensioning block is installed with a bushing	1
S6-14	24057-G290110-0100	Shifting Pedal Returning Spring	1
S6-15	90007-Z2P0310-00A0	Hexagon Socket Flange Face Bolt - Big Series - Grade B	2
S6-16	90403-1000-01A2	Standard Spring Washer	1
S6-17	90407-1000-01A2	Large Washer - Grade C	1
S6-18	73060-G770110-0000	Cutter head drive belt	1
S6-19	76305-G290110-0L00	Belt Pulley	1

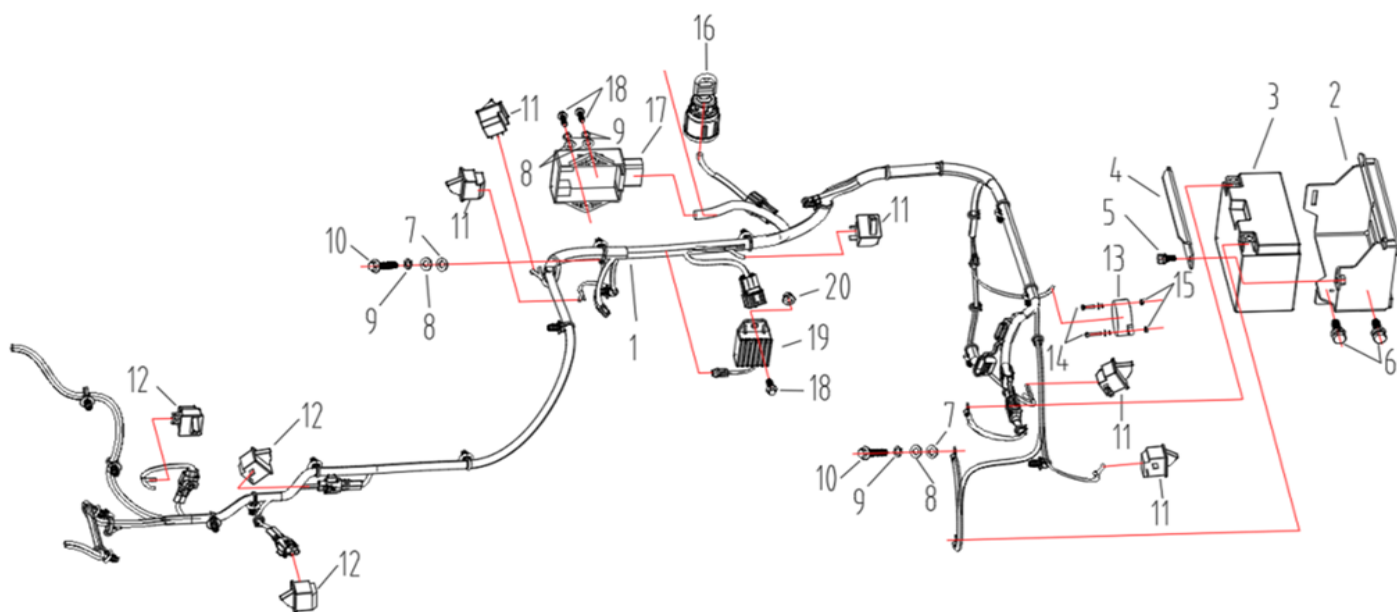
S6-20	76210-G290110-0000	Tension Pulley Assembly	1
S6-21	76308-G770110-H600	Tension Wheel Mounting Bracket	1
S6-22	76225-G290110-H600	Tensioning wheel guide rail	1
S6-23	23118-G290110-0L00	Shift push and pull plate washer	2
S6-24	23103-G290210-H600	Hexagon socket cylindrical head screw	1
S6-25	90007-0820-A1A2	Hexagon Socket Flange Face Bolt - Big Series - Grade B	2
S6-26	73033-G770111-H000	Cutter Assembly	1
S6-27	90262-0835-A1A1	Hexagon Head Bolt, Spring Washer And Flat Washer Assembly	4
S6-28	79277-G080110-00A0	Washing Nozzle	1
S6-29	13501-Z010110-00A0	Nut, Flywheel	1
S6-30	90007-0860-A1A2	Hexagon Socket Flange Face Bolt - Big Series - Grade B	1
S6-31	90103-0525-61A1	Cross-Recessed Pan Head Screw	1
S6-32	90407-0500-01A2	Large Washer - Grade C	3
S6-33	90683-G290410-0L00	Bush	1
S6-34	90314-0500-31A2	Acorn Hexagon Nuts	1
S6-35	76219-G290210-Q200	Tighten the rubber strip	1
S6-36	73050-G290110-0000	Blade mounting component	1
S6-37	73002-G290110-0100	Blade Adapter	1
S6-38	73101-G290110-H700	Blade	1
S6-39	90419-G030110-0000	Disc Washer	1

DECK LIFT



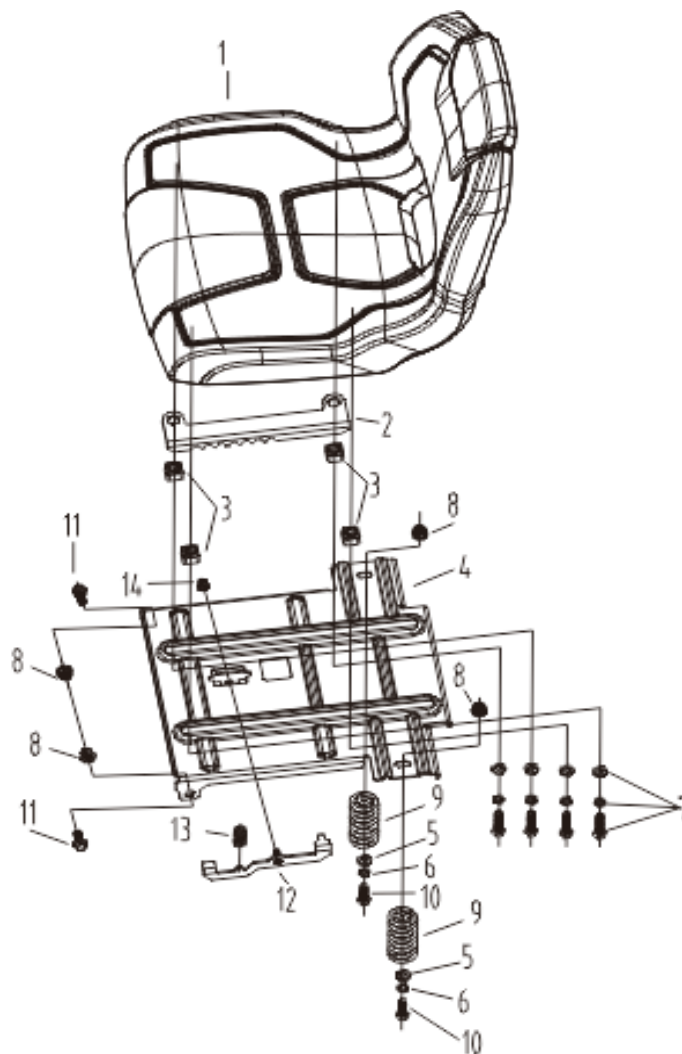
Pozice	Obj.číslo	Popis	Počet
S7-1	73031-G290110-H600	Cutter Lifting Latch Plate	1
S7-2	90262-0820-A1A1	Hexagon Head Bolt, Spring Washer And Flat Washer Assembly	6
S7-3	50608-G770110-Q200	Shift handle cover	1
S7-4	73026-G770210-0L00	Cutter Lifting Handle Assembly	1
S7-5	73025-G290110-0100	Cutter Lifting Torsion Spring	1
S7-6	73014-G770110-H600	Cutter Rear Hanger Shaft Assembly	1
S7-7	73010-G290110-Q200	Cutter Rear Hanger Shaft Upper Sleeve	2
S7-8	73011-G290110-Q200	Cutter Rear Hanger Shaft Lower Sleeve	2
S7-9	73012-G290110-H600	Cutter Rear Hanger Shaft Seat	2
S7-10	73055-G770110-H600		2
S7-11	73006-G770110-H600	Cutter Rear Lifting Arm Assembly	1
S7-12	73034-G290210-0100	Cutter head adjustment head	3
S7-13	90303-1000-31A2	Type 1 Hexagon Nut	9
S7-14	73006-G770210-H600	Cutter Rear Lifting Arm Assembly	1
S7-15	73019-G770110-H600	Cutter Lifting Arm Assembly	1
S7-16	73053-G770110-H600	Front boom assembly of the cutter head	1
S7-17	90583-1032-01A2		10
S7-18	90408-1000-01A2	Flat Washer - Grade A	13
S7-19	90408-1200-01A2	Flat Washer - Grade A	1
S7-20	90501-2525-01A1	Cotter Pin	4
S7-21	90683-G770110-0000	Bush	1
S7-22	90501-0336-01A2	Cotter Pin	1

ELECTRIC PARTS / BATTERY



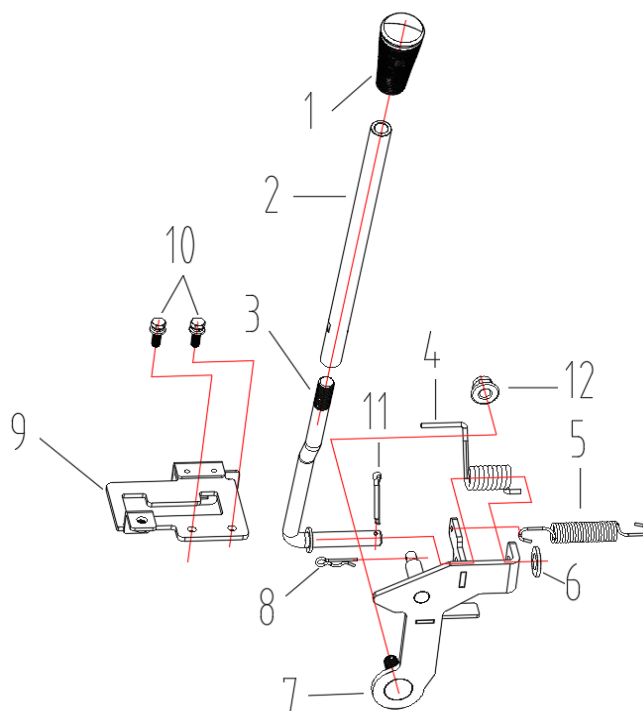
Pozice	Obj.číslo	Popis	Počet
S8-1	35542-G770110-0000	Harness, Main Wiring	1
S8-2	31140-G770110-H600	Bracket Comp, Battery	1
S8-3	31110-Y460110-00A0	Battery	1
S8-4	31142-G770110-H600	Clamp, Battery	1
S8-5	90262-0620-A1A0	Hexagon Head Bolt, Spring Washer And Flat Washer Assembly	1
S8-6	90262-0820-A1A1	Hexagon Head Bolt, Spring Washer And Flat Washer Assembly	2
S8-7	90415-0600-Z3A2	External Teeth Serrated Lock Washer	2
S8-8	90408-0600-01A2	Flat Washer - Grade A	4
S8-9	90403-0600-01A2	Standard Spring Washer	4
S8-10	90007-0616-01A1	Hexagon Socket Flange Face Bolt - Big Series - Grade B	2
S8-11	35008-G290110-0000	Sector switch	5
S8-12	35008-G290210-0000	Sector switch	3
S8-13	35700-G770110-0000	Alarm	1
S8-14	90254-0316-51A2	Cross-Recessed Pan Head Screw, Spring Washer And Flat Washer Assembly	2
S8-15	90303-0300-81A2	Type 1 Hexagon Nut	2
S8-16	35220-G650110-0000	Starting Switch	1
S8-17	35009-G770110-Q200	Logic controller	1
S8-18	90001-0620-01A1	Hexagon Socket Flange Face Bolt - Small Series	3
S8-19	30036-G770110-0000	Module, Rectification	1
S8-20	90308-0600-31A2	Type 2 Non-Metallic Insert Hexagon Lock Nut With Flange	1

SEAT / SEAT BRACKET



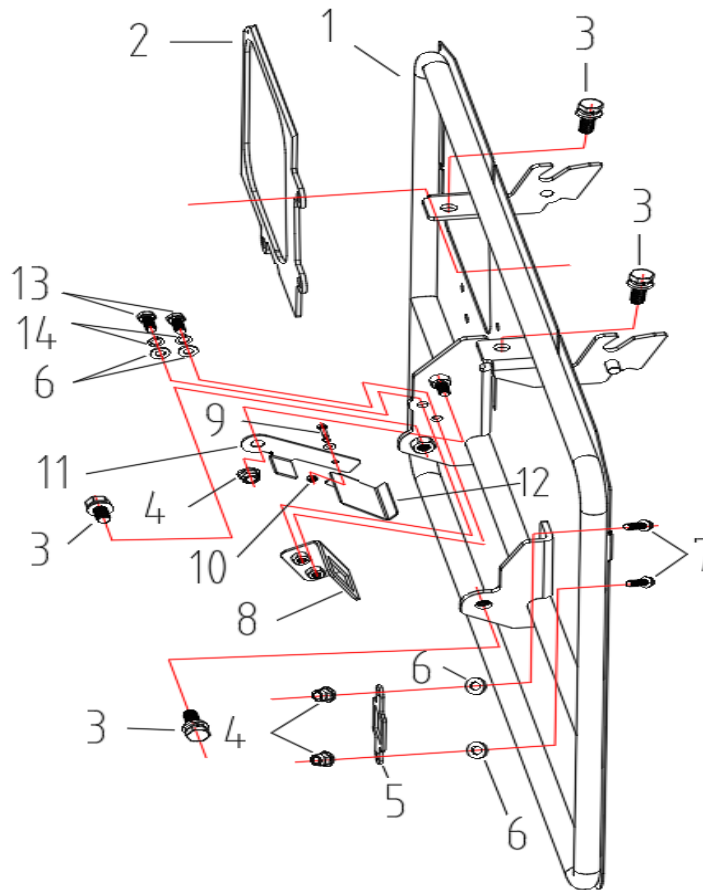
Pozice	Obj.číslo	Popis	Počet
S9-1	86002-G650110-Q200	Seat	1
S9-2	86018-G650110-H600	Seat adjustment plate	1
S9-3	86021-G650110-Q200	Seat cushion block	4
S9-4	86011-G770110-H600	Seat mounting plate	1
S9-5	90408-0800-01A2	Flat Washer - Grade A	2
S9-6	90403-0800-01A2	Standard Spring Washer	2
S9-7	90262-0835-A1A1	Hexagon Head Bolt, Spring Washer And Flat Washer Assembly	4
S9-8	90308-0800-31A2	Type 2 Non-Metallic Insert Hexagon Lock Nut With Flange	4
S9-9	79436-G290110-0100	Seat Spring	2
S9-10	90005-0825-01A2	Hexagonal Head Bolt - Full Thread	2
S9-11	86006-G290110-0L00	Seat installation bolts	2
S9-12	86016-G770110-H600	Seat adjustment handle	1
S9-13	30205-G290110-0100	Switch pressure plate return spring	1
S9-14	90308-0600-31A2	Type 2 Non-Metallic Insert Hexagon Lock Nut With Flange	1

CLUTCH CONTROL ROD



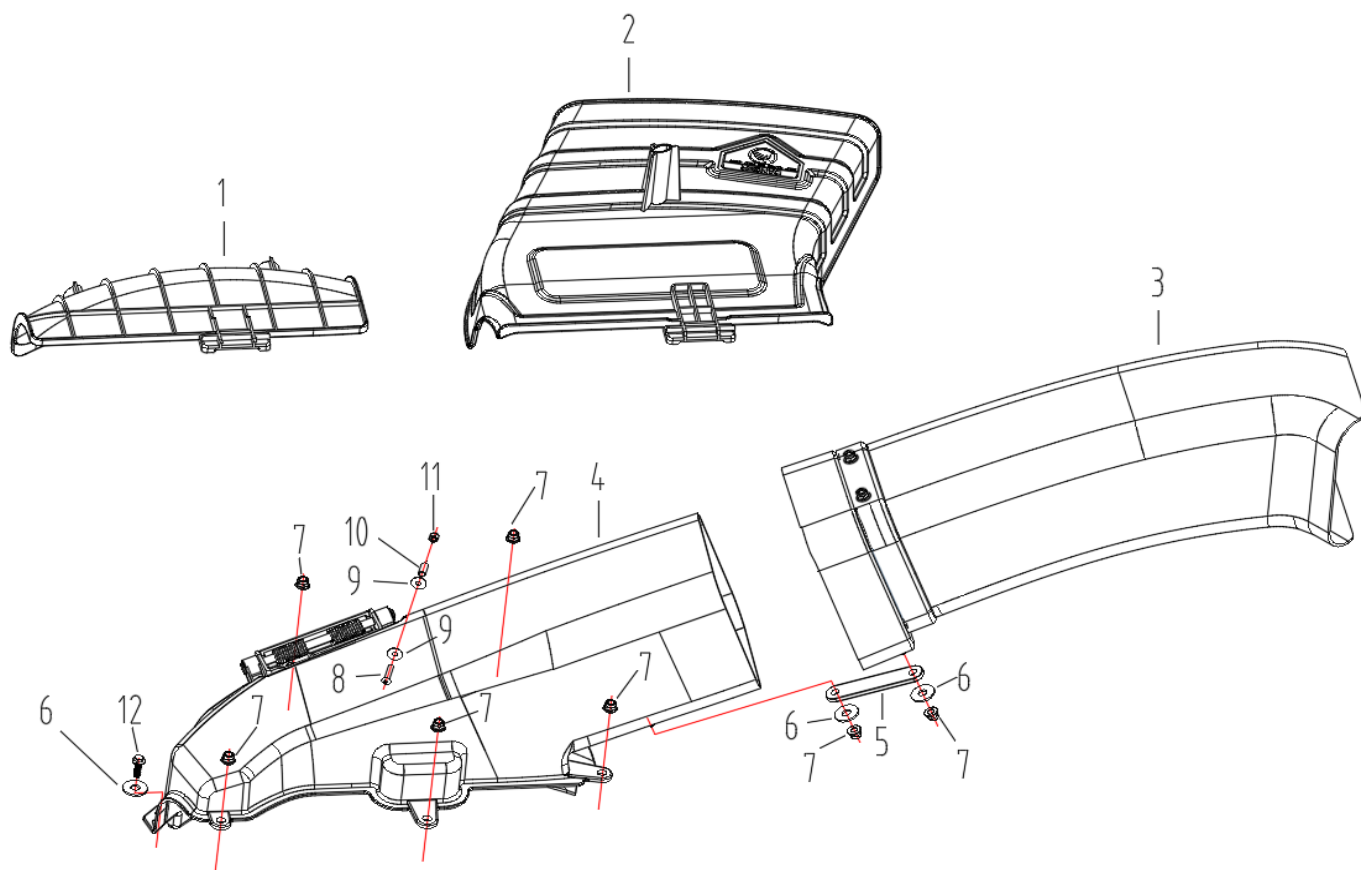
Pozice	Obj.číslo	Popis	Počet
S10-1	50609-G290110-Q200	Clutch control handle cover	1
S10-2	22046-G290110-H600	Clutch control handle connecting rod	1
S10-3	22040-G290110-0L00	Clutch control lever combination	1
S10-4	23135-G290110-0100	Shift lever torsion spring	1
S10-5	22048-G290110-0100	Clutch control lever return spring	1
S10-6	90408-1200-01A2	Flat Washer - Grade A	1
S10-7	22043-G290110-H600	Clutch control lever seat	1
S10-8	90583-0827-01A2		1
S10-9	22047-G290110-H600	Clutch control lever limit plate	1
S10-10	90262-0620-A1A0	Hexagon Head Bolt, Spring Washer And Flat Washer Assembly	2
S10-11	90501-2525-01A1	Cotter Pin	1
S10-12	90308-1000-31A2	Type 2 Non-Metallic Insert Hexagon Lock Nut With Flange	1

REAR COVER / GRASS CATCHER BRACKET



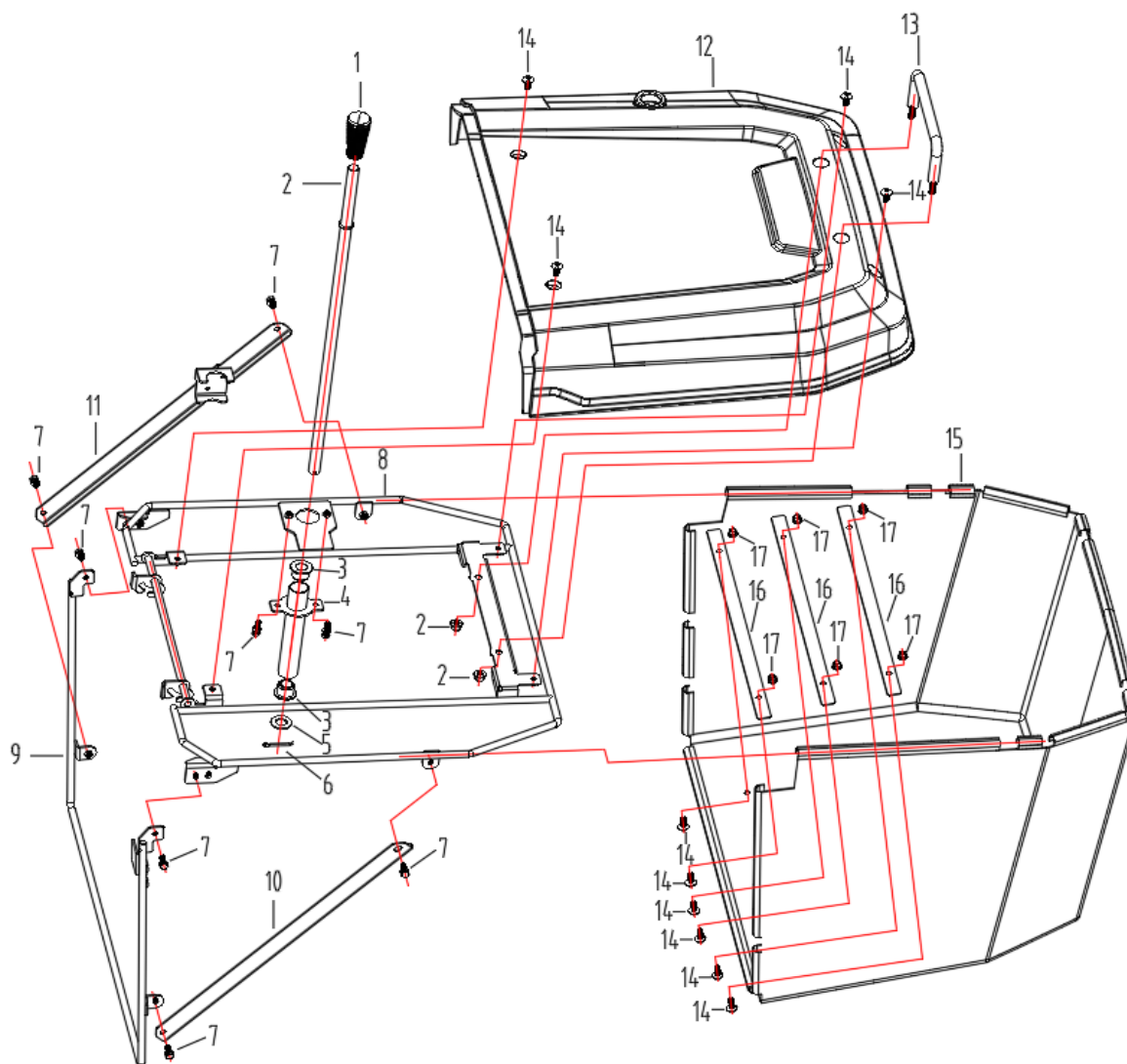
Pozice	Obj.číslo	Popis	Počet
S11-1	79570-G770110-H600	The fixed plate component of the straw collection bag	1
S11-2	79583-G290110-Q200	Grass collection pipe sealing gasket	1
S11-3	90262-0820-A1A1	Hexagon Head Bolt, Spring Washer And Flat Washer Assembly	4
S11-4	90308-0600-31A2	Type 2 Non-Metallic Insert Hexagon Lock Nut With Flange	3
S11-5	30208-G770110-H600	Switch mounting seat	1
S11-6	90408-0600-01A2	Flat Washer - Grade A	4
S11-7	90007-0616-01A1	Hexagon Socket Flange Face Bolt - Big Series - Grade B	2
S11-8	30204-G290110-H600	Switch bracket	1
S11-9	90254-0316-51A2	Cross-Recessed Pan Head Screw, Spring Washer And Flat Washer Assembly	1
S11-10	90303-0300-81A2	Type 1 Hexagon Nut	1
S11-11	30206-G290210-H600	Switch pressure plate	1
S11-12	30079-G290210-H600	Pressure Plate	1
S11-13	90005-0616-01A1	Hexagonal Head Bolt - Full Thread	2
S11-14	90403-0600-01A2	Standard Spring Washer	2

DISCHARGE CHUTE / DEFLECTOR



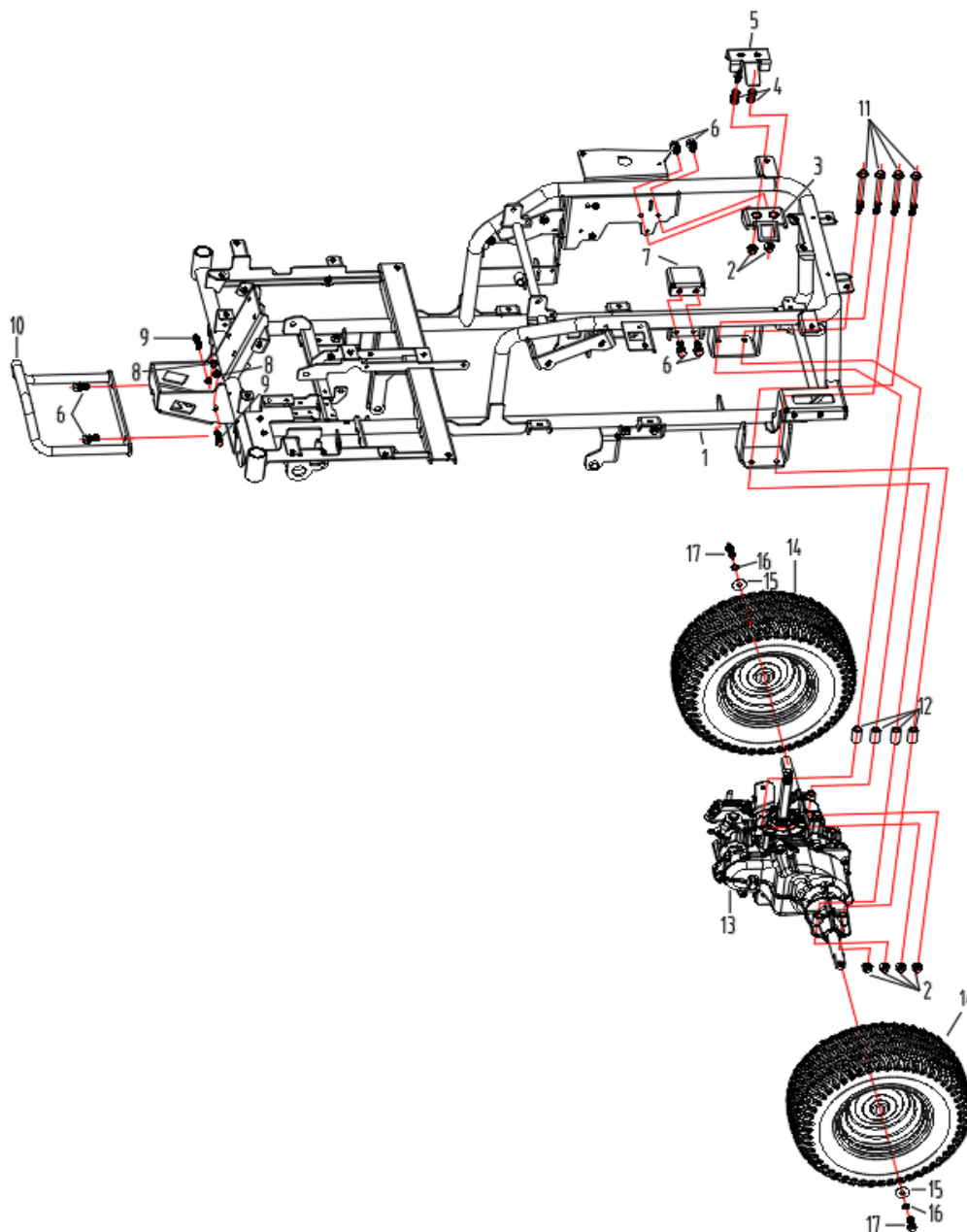
Pozice	Obj. číslo	Popis	Počet
S12-1	79415-G290110-Q200	Chopper Cover Plate	1
S12-2	79412-G290110-Q200	Side Row Grass Guiding Plate	1
S12-3	79573-G770110-Q200	Grass collection pipe	1
S12-4	79587-G290110-0000	Grass collection pipe seat assembly	1
S12-5	76219-G290110-Q200	Tighten the rubber strip	1
S12-6	90407-0600-01A2	Large Washer - Grade C	3
S12-7	90308-0600-31A2	Type 2 Non-Metallic Insert Hexagon Lock Nut With Flange	7
S12-8	90103-0525-61A1	Cross-Recessed Pan Head Screw	1
S12-9	90407-0500-01A2	Large Washer - Grade C	2
S12-10	90683-G290410-0L00	Bush	1
S12-11	90314-0500-31A2	Acorn Hexagon Nuts	1
S12-12	90007-0616-01A1	Hexagon Socket Flange Face Bolt - Big Series - Grade B	1

GRASS CATCHER



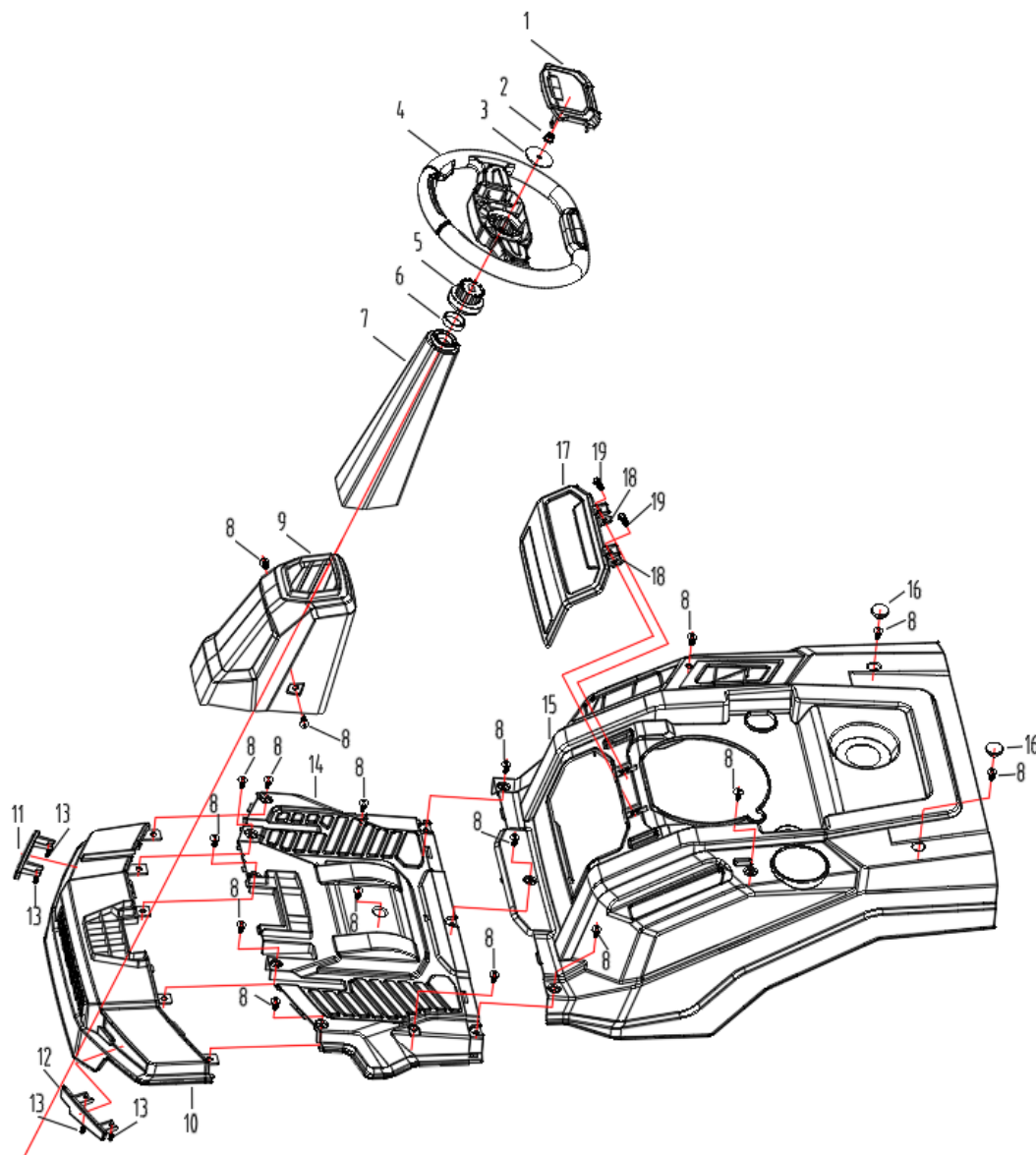
Pozice	Obj.číslo	Popis	Počet
S13-1	50609-G290110-Q200	Clutch control handle cover	1
S13-2	79567-G770111-H600	Grass pouring handle	1
S13-3	45204-G290110-Q200	Sleeve, Wheel Shaft	2
S13-4	79568-G770110-H600	Grass pouring handle cover	1
S13-5	90408-1600-01A2	Flat Washer - Grade A	1
S13-6	90501-0336-01A2	Cotter Pin	1
S13-7	90262-0620-A1A0	Hexagon Head Bolt, Spring Washer And Flat Washer Assembly	8
S13-8	79565-G770310-H600		1
S13-9	79566-G770110-H600		1
S13-10	79564-G770110-H600		1
S13-11	79569-G770110-H600	Grass dumping handle seat	1
S13-12	79575-G290110-LB00	Grass collection box cover plate	1
S13-13	79571-G290110-H600	Handle for collecting straw bags	1
S13-14	90111-G290110-0300	Screw, Inner Hex. Flat	10
S13-15	79267-G290110-Q233	Bag, Catch	1
S13-16	16564-G290110-H600	Bottom Plate Support Plate	3
S13-17	90308-0600-31A2	Type 2 Non-Metallic Insert Hexagon Lock Nut With Flange	6

FRAME / REAR WHEELS ASSY / TRANSMISSION



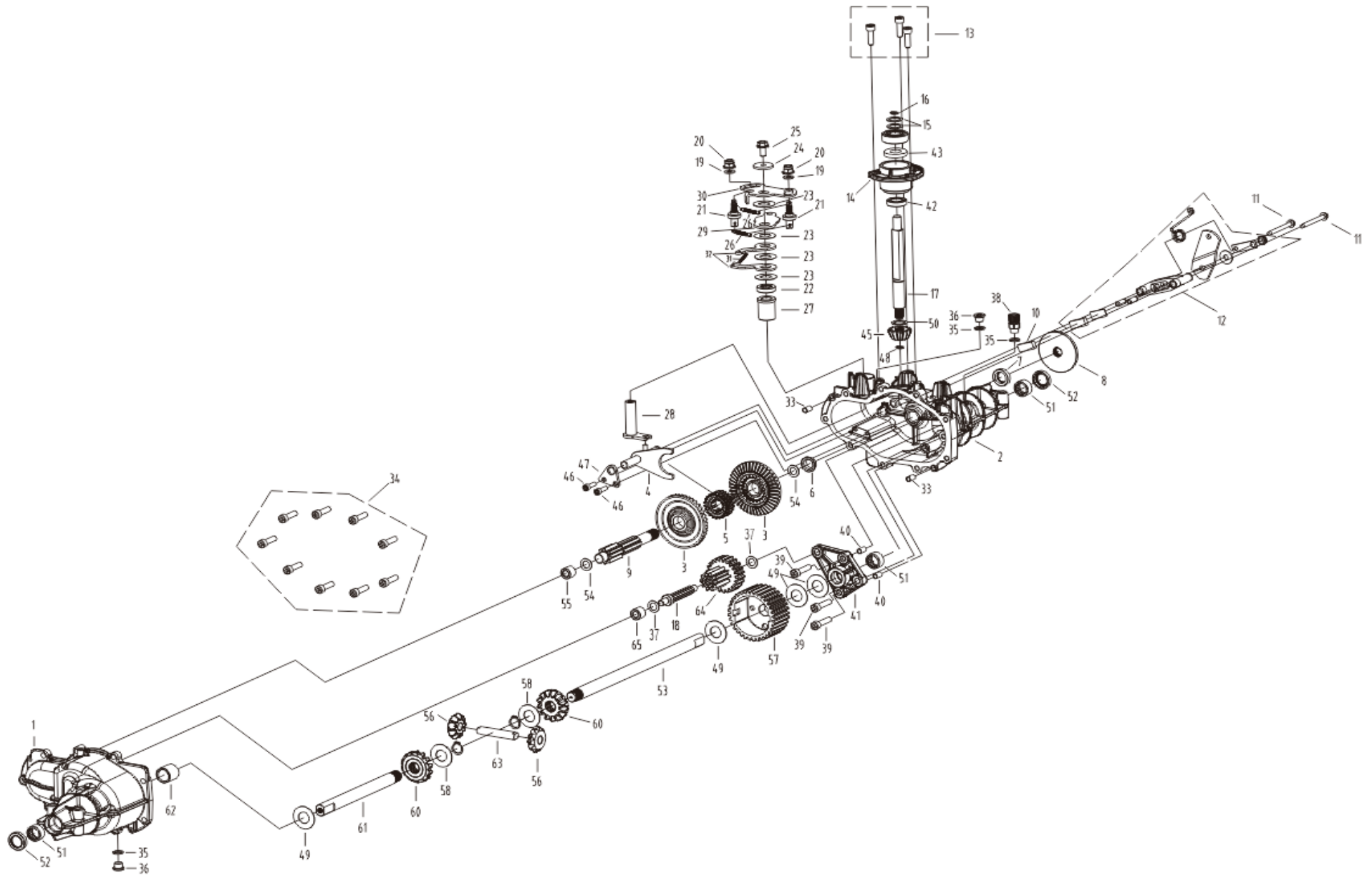
Pozice	Obj. číslo	Popis	Počet
S14-1	50100-G770111-H000	Welding Assy, Frame	1
S14-2	90308-0800-31A2	Type 2 Non-Metallic Insert Hexagon Lock Nut With Flange	6
S14-3	86008-G770110-H600	Right seat spring support	1
S14-4	30205-G290110-0100	Switch pressure plate return spring	2
S14-5	30206-G770110-H600	Switch pressure plate	1
S14-6	90262-0820-A1A1	Hexagon Head Bolt, Spring Washer And Flat Washer Assembly	6
S14-7	86007-G290110-H600	Left seat spring support	1
S14-8	90305-0600-01A1	Hexagon Nut With Flange	2
S14-9	90005-0630-01A2	Hexagonal Head Bolt - Full Thread	2
S14-10	58400-G290110-H600	Guard Assy.	1
S14-11	90007-0890-A1A2	Hexagon Socket Flange Face Bolt - Big Series - Grade B	4
S14-12	90683-G290110-0L00	Bush	4
S14-13	96140-ZSS1Y10-0000	Gearbox	1
S14-14	42100-G290110-LB00	Wheel Assy, Rear	2
S14-15	73104-G770110-0100	Gasket, Big	2
S14-16	90403-0800-01A2	Standard Spring Washer	2
S14-17	90007-0825BA1A2	Hexagon Socket Flange Face Bolt - Big Series - Grade B	2

COVER PANELS / STEERING WHEEL



Pozice	Obj. číslo	Popis	Počet
S15-1	54301-G290110-Q200	Cover, Steering Wheel Decorated	1
S15-2	90308-0800-31A2	Type 2 Non-Metallic Insert Hexagon Lock Nut With Flange	1
S15-3	54303-G290110-H600	Steering wheel washer	1
S15-4	54302-G290110-0000	Wheel, Steering	1
S15-5	54304-G290110-Q200	Steering wheel positioning sleeve	1
S15-6	30431-G290110-Q200	Jacket, Rubber	1
S15-7	79577-G290110-Q200	Upper directional column shield	1
S15-8	90111-G290110-0300	Screw, Inner Hex. Flat	17
S15-9	79578-G290110-LB00	Lower directional column shield	1
S15-10	80117-G290110-LB00	Front cover	1
S15-11	80118-G290110-Q200	Right decorative cover	1
S15-12	80119-G290110-Q200	Left decorative cover	1
S15-13	90107-4212-01A0	Cross-Recessed Pan Head Self-Tapping Screw	4
S15-14	45303-G290110-Q200	Pedal Plate	1
S15-15	80106-G290110-LB00	Large Cover	1
S15-16	90722-G770110-0000	Plug head	2
S15-17	31123-G290110-LB00	Battery Cover	1
S15-18	17199-G290110-0L00	Clip Nut	2
S15-19	90007-0612-A3A1	Hexagon Socket Flange Face Bolt - Big Series - Grade B	2

GEARBOX - EXPLODED VIEW



Pozice	Obj.číslo	Popis	Počet
S16-1	24301-G290111-0000	Retarder Body	1
S16-2	24301-G290210-0000	Retarder Body	1
S16-3	23811-G290110-0000	Gear, Driven Tapered	2
S16-4	24420-G290110-0000	Fork Subassembly, Shifts	1
S16-5	23114-G290110-0000	Gear shift teeth	1
S16-6	23717-G290110-0000	Step bushing	1
S16-7	90682-G290210-0000	Seal, Oil	1
S16-8	45206-G290110-0000	Tray, Dish Brake	1
S16-9	23102-G290110-0000	Shift shaft	1
S16-10	45234-G320110-0000	Piece, Brake Friction	1
S16-11	90001-0655-01A2	Hexagon Socket Flange Face Bolt	2
S16-12	45200-G320211-0000	Brake Assy.	1
S16-13	90102-0825-01A2	Hexagon Socket Head Cap Screw	3
S16-14	23718-G290110-0000	Input shaft mounting seat	1
S16-15	16552-G290610-0600	Gasket	2
S16-16	90573-1700-Z6A1	Circlip For Shaft - Type A	1
S16-17	23106-G290110-0000	Input shaft	1
S16-18	23712-G290110-0000	Shaft, Intermediate Gear	1
S16-19	90407-0800-01A2	Large Washer - Grade C	2
S16-20	90308-0800-31A2	Hexagon Lock Nut With Flange	2
S16-21	23013-G290110-0L00	Shift positioning bolt	2
S16-22	90682-G290310-0000	Seal, Oil	1
S16-23	16552-G291110-0L00	Gasket	4
S16-24	16552-G291010-0L00	Gasket	1
S16-25	90007-0816-A1A1	Hexagon Socket Flange Face Bolt	1
S16-26	23109-G290110-0100	Locating pin - Type A	2
S16-27	24428-G290110-0000	Hexagon socket cylindrical head screw	1
S16-28	23113-G290110-0000	Gasket	1
S16-29	23107-G290110-0L00	Oil drain bolt	1
S16-30	23032-G290110-0L00	Plate, Shifting Control	1
S16-31	23111-G290110-0100	Box ventilation valve assembly	1
S16-32	23103-G290110-0L00	Hexagon socket cylindrical head screw	2
S16-33	90502-0812-00A0	Position Pin - Type A	2

Pozice	Obj.číslo	Popis	Počet
S16-34	90102-0830-01A3	Hexagon Socket Head Cap Screw	9
S16-35	16552-G290510-0000	Gasket	3
S16-36	11007-G290110-0L00	Bolt, Drain Plug	2
S16-37	16552-G290210-0000	Gasket	2
S16-38	24330-G290110-0000	Body Vent Valve Assembly	1
S16-39	90102-0835-01A2	Hexagon Socket Head Cap Screw	3
S16-40	90502-1014-00A0	Position Pin - Type A	2
S16-41	23813-G290110-0000	Gear shaft mounting seat	1
S16-42	90548-6193-10A0	Deep Groove Ball Bearing	1
S16-43	90682-G290310-0000	Seal, Oil	1
S16-44	90549-6203-10A1	Deep Groove Ball Bearing	1
S16-45	23801-G290110-0000	Gear, Drive Tapered	1
S16-46	90102-0620-01A1	Hexagon Socket Head Cap Screw	2
S16-47	16265-G290110-0000	Support Plate	1
S16-48	90573-1000-Z6A1	Circlip For Shaft - Type A	1
S16-49	16552-G290310-0000	Gasket	4
S16-50	16552-G290910-0600	Gasket	1
S16-51	90542-G290110-0000	Needle Bearing	3
S16-52	90682-G290110-0000	Seal, Oil	2
S16-53	76315-G290110-0000	Output Shaft	1
S16-54	16552-G290110-0000	Gasket	2
S16-55	23115-G290110-0000	Shift shaft bushing	1
S16-56	23815-G290110-0000	Planetary gear	2
S16-57	23117-G290210-0000	Differential cover	1
S16-58	16552-G290410-0000	Gasket	2
S16-59	90573-1600-Z6A1	Circlip For Shaft - Type A	2
S16-60	23814-G290110-0000	Side gear	2
S16-61	76315-G290210-0000	Output Shaft	1
S16-62	23116-G290110-0000	Output shaft bushing	1
S16-63	23104-G290110-0000	Planetary gear shaft	1
S16-64	23711-G290110-0000	Gear, Intermediate	1
S16-65	23716-G290110-0000	Intermediate shaft bushing	1