



FZR 5114-170B

---

English .....	3 - 20
Čeština.....	21 - 38
Slovenščina.....	39 - 56
Magyarul.....	57 - 72
Polski .....	73 - 88

# Petrol Lawnmower

## USER'S MANUAL

**Thank you for purchasing this rotary petrol lawnmower. Before you start using it, please, carefully read this user's manual and save it for possible future use.**

### TABLE OF CONTENTS

1. GENERAL SAFETY INSTRUCTIONS .....	4
Important safety notice .....	4
Packaging .....	4
User's Manual.....	4
2. EXPLANATION OF INSTRUCTION LABELS ON THE MACHINE.....	5
3. DESCRIPTION OF THE LAWNMOWER.....	7
4. ASSEMBLY/PREPARATION.....	7
Taking the lawnmower out of the cardboard packaging.....	7
5. ASSEMBLING THE LAWNMOWER.....	8
6. BEFORE STARTING THE LAWNMOWER .....	9
Adding oil.....	9
Adding fuel.....	9
7. CONTROLLING AND OPERATING THE LAWNMOWER.....	10
Starting the lawnmower.....	10
Controlling travel.....	11
Application range for the lawnmower .....	11
Mowing with the grass catcher .....	11
Mowing with rear discharge .....	11
Mowing with side discharge .....	11
Mulching.....	12
Setting the mowing height.....	12
Replacing the mowing blades .....	12
Changing the motor oil.....	12
8. SAFETY INSTRUCTIONS .....	13
General safety instructions .....	13
Instructions for use .....	13
9. MAINTENANCE.....	14
Lawn care.....	14
Maintenance .....	15
Service.....	16
Warranty does not cover.....	16
Storage .....	16
10. TECHNICAL SPECIFICATIONS.....	17
11. DISPOSAL .....	18
12. DECLARATION OF CONFORMITY .....	19

# 1. GENERAL SAFETY INSTRUCTIONS

## IMPORTANT SAFETY NOTICE

- ✿ Carefully unpack the product and take care not to throw away any part of the packaging before you find all the parts of the product.
- ✿ Store the machine in a dry place out of reach of children.
- ✿ Read all warnings and instructions. Not following warnings or instructions may lead to injury by electrical shock, a fire and/or serious injuries.

## PACKAGING


The product is packed in a package that prevents damage during transport. This package is a resource and so can be handed over for recycling.

## USER'S MANUAL

Before you start working with the machine, read the following safety and usage instructions.

Acquaint yourself with the operating elements and the correct use of the machine. Keep the user's manual in a safe place where it can be easily retrieved for future use. Save the original packaging, including the internal packing material, warranty card and proof of purchase receipt at least for the duration of the warranty.

If you need to ship this machine, pack it in the original cardboard box to ensure maximum protection during shipping or transport (e.g. when moving or when you need to send this product for repair).

 **Note:** If you hand over the machine to somebody else, do so together with the user's manual. Following the instructions in the included user's manual is a prerequisite for the proper use of the machine. The user's manual also contains operating, maintenance and repair instructions.

**The manufacturer takes no responsibility for accidents or damages resulting from not following the instructions in this manual.**

## 2. EXPLANATION OF INSTRUCTION LABELS ON THE MACHINE



Before putting into operation, please carefully read the user's manual.



Keep other persons away from the work area.



Attention, rotating blades! Protect yourself against the danger of injury to limbs.



Emission of toxic gasses. Do not use the petrol lawnmower in enclosed or unventilated areas.



Hot surfaces, risk of burns!



Before carrying out maintenance, turn off the engine and disconnect the spark plug.



Never add fuel while the engine is running.



Indicates that there is a risk of injury to persons, death or damage to the machine if instructions are not followed



Use hearing protection.

Use eye protection.

Use breathing organ protection.



Always maintain a distance from moving parts.



Travel along the slope on contours, not up and down.



Conforms to all relevant European directives.



Petrol is extremely flammable and therefore allow the engine to cool down for 2 minutes before adding more fuel.

### 3. DESCRIPTION OF THE LAWNMOWER

1. Travel lever
2. Start / brake lever
3. Top part of the handle
4. Screws with wing nuts
5. Bottom part of the handle
6. Air filter cover
7. Fuel primer bulb – Primer
8. Side discharge deflector
9. Cap with oil dipstick
10. Mowing height adjustment lever
11. Grass catcher
12. Grass catcher cover
13. Handle panel



Fig. 1

### 4. ASSEMBLY/PREPARATION

Before assembling and starting the petrol lawnmower, first carefully read the entire user's manual and the instructions contained in it.

**⚠ IMPORTANT INFORMATION:** The lawnmower is supplied **WITHOUT FUEL AND OIL** in the engine. Your new lawnmower was tested at the production plant meaning that a small amount of residual oil may be in the engine.

#### **TAKING THE LAWNMOWER OUT OF THE CARDBOARD PACKAGING**

Take the lawnmower out of the cardboard packaging and check that no loose parts are left in the packaging.

## 5. ASSEMBLING THE LAWNMOWER

**⚠ IMPORTANT INFORMATION:** Carefully unfold the lawnmower handle, being careful not to pinch or damage the lawnmower's control cables.

### 1. ASSEMBLING THE HANDLE

1. Insert the bottom part of the handle (Fig. 2 – point 1) into the respective holes on the lawnmower (see arrow) and secure in place with screw and nut.
2. Attach the top part of the handle (Fig. 2 – point 2) to the bottom part of the handle using the included screws with the quick coupler and wing nuts (Fig.2 – point 3).

**⚠ IMPORTANT NOTICE:** After loosening the quick coupler, it is possible to comfortably adjust the height of the handle and to select the most comfortable work position.

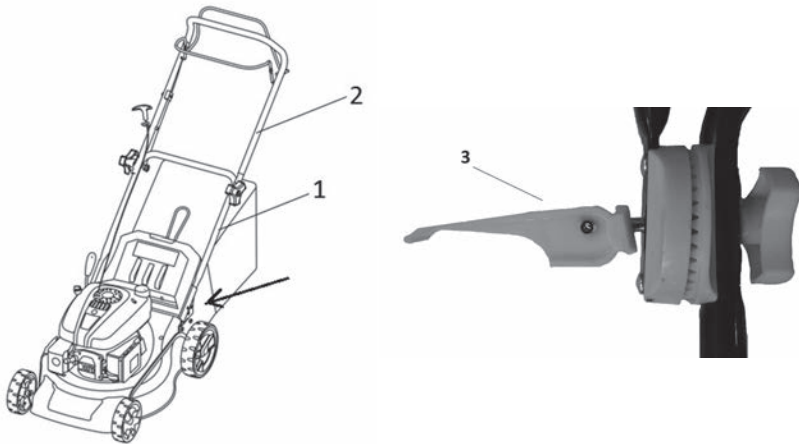


Fig. 2

### 2. INSTALLING THE HANDLE PANEL

Attach the plastic handle panel using the included screws (fig. 3).



Fig. 3



### 3. ASSEMBLING THE GRASS CATCHER

Secure the plastic hooks at the end of the textile part of the grass catcher into the steel frame (fig. 4).



Fig. 4

**⚠ IMPORTANT NOTICE:** The grass catcher is equipped with a full indicator. It is a plastic flap at the rear of the grass catcher. When the grass catcher is not full, the flap is raised. When it closes, it is necessary to tip out the grass catcher.

## 6. BEFORE STARTING THE LAWNMOWER

### ADDING OIL

**The lawnmower is supplied without motor oil. Before first start up, add motor oil SAE30 or 15W-40 (approx 500 ml) according to the following instructions.**

1. When pouring in the oil, place the lawnmower on a level surface.
2. Pull the cap with the oil dipstick out of the oil refill hole (Fig. 5).
3. After adding oil, put the dipstick back into the hole and tighten it.
4. The oil level must be between the upper (MAX) and lower (MIN) limit (Fig. 5).

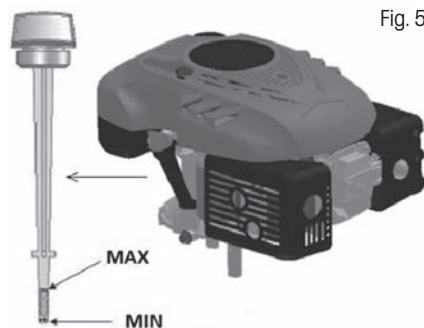


Fig. 5

**⚠ Caution!** DO NOT OVERFILL the oil tank, otherwise a large amount of smoke will come out of the exhaust when the lawnmower is started up.

**⚠ IMPORTANT INFORMATION:** Check the oil level before every use of the lawnmower. Add oil if necessary. Add oil up to the MAX level mark on the oil dipstick.

**⚠ IMPORTANT INFORMATION:** Replace the oil after the first 5 hours of operation and subsequently after every 25 hours of operation.

### ADDING FUEL

**The suitable type of fuel for this engine is NATURAL 95**

After unscrewing the fuel tank cap, add the fuel, pouring it in all the way up to the collar of the fuel tank but do not overflow it.

Always add fresh, clean and approved lead-free petrol with an octane rating of at least 95.

**⚠ Caution!** In the event that you spill any oil or fuel on the lawnmower when refilling, wipe it away immediately. Do not store or add fuel or handle it in any way in the vicinity of an open fire.

**⚠ Caution!** Fuels mixed with alcohol or fuels with ethanol or methane additives may bind moisture to themselves, which may result in separation during storage and the formation of acids. Subsequently during storage the acid vapours may damage the fuel system of the lawnmower engine. These fuels must not be used in the lawnmower.

**⚠ IMPORTANT INFORMATION:** When not using the lawnmower for longer than 30 days, drain the fuel tank, start the engine and let it run until the fuel lines and the carburettor are empty (the engine will stop on its own). This will prevent future engine problems.  
Before using it again, add fresh fuel into the fuel tank.

## 7. CONTROLLING AND OPERATING THE LAWNMOWER

### STARTING THE LAWNMOWER

1. If the engine is not warmed up, press the fuel primer bulb 2-3 times (Fig. 6 – point 1).  
If the engine is already warm, it is not necessary to use the fuel primer bulb.
2. Pull the start/brake lever towards the handle and hold it there (Fig. 6 – point 2), then pull on the pull cord (Fig. 6 – point 3). The engine should start up after 3-4 pulls.
3. The engine is turned off by releasing the start/brake lever.

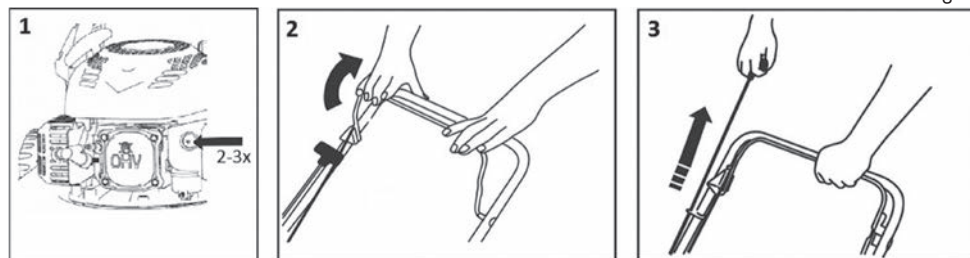


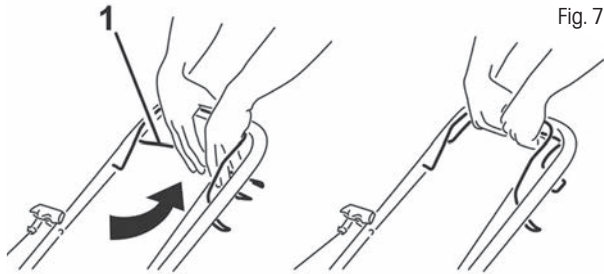
Fig. 6

**⚠ Caution!** A small amount of smoke may be emitted when the engine is started up for the first time as the protective layers in the engine are burnt off. This is completely normal and does not constitute a problem.

## CONTROLLING TRAVEL

The travel is controlled using the travel lever (Fig. 7 – point 1). When the lever is pulled to the handle, the lawnmower will start moving.

To stop, release the lever. This lawnmower has one constant speed.



## APPLICATION RANGE FOR THE LAWNMOWER

Mowing with collection of grass clippings in a grass catcher

Mowing with rear discharge of grass clippings

Mowing with side discharge

Mulching - mowing with loose placement of grass clippings on the lawn

**⚠ Caution! Do not use the mower on slopes with an inclination of more than 20°, otherwise motor seizure might occur!**

## MOWING WITH THE GRASS CATCHER

When the grass catcher is installed, grass clippings are discharged into the grass catcher

**⚠ Caution!** In case of poor mown grass catching, increase the mowing height and check if the lawn is wet.

## MOWING WITH REAR DISCHARGE

Without the grass catcher installed, the grass catcher cover serves as a deflector that directs the movement of the grass clippings towards the ground. A row of grass clippings is thereby formed behind the lawnmower

## MOWING WITH SIDE DISCHARGE

**⚠ Caution!** Attach and remove the side discharge deflector only with the engine turned off.

Use your hand to lift the side discharge cover and attach the side discharge deflector (fig. 8). In order to mow with side discharge, it is necessary to install a mulching plug into the discharge chute.



## MULCHING

**⚠ Caution!** Attach and remove the mulching plug only with the engine turned off.

**⚠ Caution!** Use only original mulching accessories when mulching.

1. Remove the grass catcher and hold the plastic grass catcher cover with your hand (Fig. 9 – point 1)
2. Install the mulching plug into the discharge chute (Fig. 9 – point 2) and make sure that the plug is seated firmly.

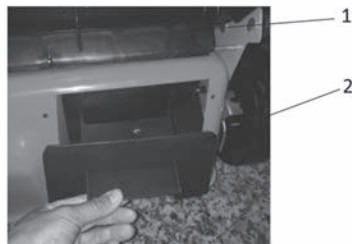


Fig. 9

**⚠ IMPORTANT INFORMATION:** Do not mulch tall grass all at once, this will prevent overloading the lawnmower mechanism and the engine.

## SETTING THE MOWING HEIGHT

The mowing height is set centrally using the central mowing height adjustment lever (Fig. 1 – point 10). You can select in the range of 25 to – 75 mm. The middle mowing height is the most suitable for the majority of lawns. Lawn damage may result when the lowest height is set.

**⚠ Caution!** For maximum effectiveness, please always trim the grass by 1/3 of its length only. Mow the overgrown grass gradually and after each mowing, lower the height by one step. To keep quality lawn, do not use the lowest mowing height setting.

## REPLACING THE MOWING BLADES

**⚠ Caution!** For this task, we recommend that you contact an authorised service centre.

If you wish to replace the mowing blade, remove the bolt (Fig. 10). Perform the installation according to the provided picture. Tighten the screw. The tightening torque is 40 Nm. When replacing the the blade, replace the fastening bolt also.

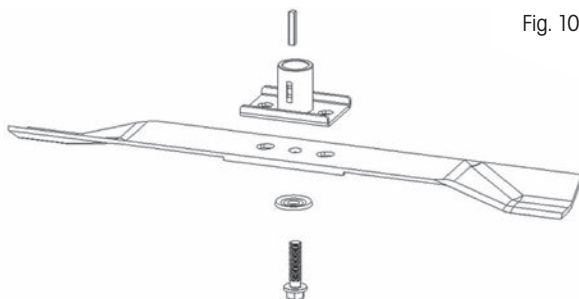


Fig. 10

## CHANGING THE MOTOR OIL

**⚠ Caution!** For this task, we recommend that you contact an authorised service centre.

Start up the lawnmower motor for a while to warm up the oil. Then extract the oil with the FRZ 9050 oil extractor.

Add type SAE30 or 15W-40 oil into the oil tank. When the oil dipstick is inserted into the hole and screwed in, the oil level should be between the Min and Max marks (Fig. 11). Do not overfill the oil tank. Start the engine and allow it to run for a short time. Stop the engine, wait 1 minute and remeasure the oil level in the oil tank. Add oil to the required level if necessary.

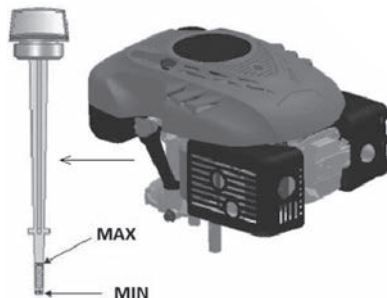


Fig. 11

## 8. SAFETY INSTRUCTIONS

### GENERAL SAFETY INSTRUCTIONS

- ✿ This product is used exclusively for mowing grass. Do not use it for any other purposes than those intended. Otherwise there is a risk of damaging it or an injury.
- ✿ Never allow children or persons who are not acquainted with the contents of this user's manual to work with the machine.
- ✿ The person operating the lawnmower is responsible for the safety of persons in the work area. Never operate the lawnmower in the near vicinity of other people, children or freely roaming animals.
- ✿ Before starting mowing, check the terrain where the lawnmower will be used and remove stones, wires, sticks, splinters, bones and other foreign objects, which could become caught in it or deflected or cause injuries.

### INSTRUCTIONS FOR USE

- ✿ All nuts, pins and bolts must be properly tightened so that the machine is in a safe and operational condition.
- ✿ Never use the lawnmower without the grass catcher or protective cover.
- ✿ Never use the lawnmower with loose mowing blades. Always check in advance that all respective bolts are securely tightened. Blunt blades must be sharpened evenly. Damaged blades must be replaced.
- ✿ When working with the lawnmower, wear long pants and solid footwear.
- ✿ Never start the lawnmower in enclosed or poorly ventilated areas where fumes could accumulate. Emissions from the engine contain carbon monoxide, which is life threatening.
- ✿ Work only during sufficient light conditions (in daylight or sufficient artificial lighting).
- ✿ Do not use the lawnmower when it is raining or if the grass is wet.
- ✿ Proceed especially carefully when mowing in elevated terrain (on a slope). Always mow perpendicular to the slope, parallel to the contour, and not directly up/down.
- ✿ Under no condition leave the lawnmower running without supervision; if you leave the lawnmower, turn off the engine.

- ✿ Never lift the rear part of the lawnmower when starting it and always keep your limbs away from the cutting deck or the rear grass ejection chute while the engine is running.
- ✿ Never modify the engine's speed setting.
- ✿ On lawnmowers with travel, release the travel lever before starting the engine.
- ✿ Never transport the lawnmower while its engine is running.
- ✿ Stop the engine and disconnect the spark plug in the following cases:
  - when performing any task whatsoever under the mowing deck or in the rear grass ejection chute.
  - when performing maintenance, repairs or inspecting the machine.
  - before carrying, lifting or transporting the lawnmower.
  - when you leave the lawnmower without supervision or you are getting ready to adjust the mowing height.
  - before removing and emptying the grass catcher.
  - when an impact with a foreign object occurs, stop the engine and carefully inspect to ensure that there is no damage. In the event of damage, take the lawnmower to a specialised service centre for repairs.

**⚠ ATTENTION:** The mowing blade continues to rotate for several seconds after the engine is turned off.

- if the lawnmower is vibrating abnormally (immediately identify and remedy the cause of the vibration).
- For the purpose of ensuring safe operation, regularly check that the pins, bolts and nuts on the lawnmower are securely tightened.

**⚠ ATTENTION:** FUEL IS A VERY FLAMMABLE LIQUID.

- ✿ Store fuel in a suitable container.
- ✿ Only add fuel in an open and well ventilated location. When handling fuel, do not smoke or use a mobile phone.
- ✿ Only add fuel when the engine is turned off. Never open the fuel tank or add fuel if the engine is hot or if it is running.
- ✿ If fuel is spilled, do not start the engine. Take the lawnmower away from the location where the fuel was spilled and take care to avoid possible ignition. Continue with work only after the spilled fuel has evaporated and the fuel fumes have dissipated;
- ✿ After adding fuel, securely tighten the fuel tank cap and the cap on the fuel canister.

**⚠ ATTENTION:** Before carrying out maintenance or repairs, stop the engine and disconnect the spark plug.

## 9. MAINTENANCE

### LAWN CARE

- ✿ Various forms of care are required depending on the type of grass area.
- ✿ Therefore, always read the instructions included on seed packages with respect to the mowing height for the growing conditions in the given locality.
- ✿ It is necessary to always keep in mind that the larger part of grass consists of a stem and one or more leaves. When the leaves are cut off completely, the lawn is damaged and the renewal of growth will be much more difficult.

- ✿ The following instructions generally apply:
  - excessively low mowing causes disruption to the roots and subsequently “spotty” appearance;
  - in summer, mowing must be higher to prevent the soil from drying out;
  - mowing wet grass may result in a lower efficiency of the blade due to grass catching on the blade and grass being ripped out of the ground;
  - in the event of exceptionally tall grass it is appropriate to perform the first mow at the maximum permitted mowing height of the machine and then mow again only after two or three days.
- ✿ The lawn will have a better appearance when it is mowed regularly over its entire area at the same height with alternating mowing directions.

## MAINTENANCE

**⚠ Caution!** Always tilt the mower towards the handle side only (rear of the mower).

- ✿ All nuts, pins and bolts must be properly tightened so that the machine is in a safe and operational condition. Regular maintenance is the basic prerequisite for ensuring safety of the user, maintain the lawnmower’s operating condition and high performance.
- ✿ Never store a machine with petrol in the fuel tank inside a building where the fumes could come within range of an open fire, sparks or sources of high temperature
- ✿ Before storing in any enclosed area, allow the engine to cool down.
- ✿ To reduce the risk of a fire, ensure that the lawnmower and in particular the engine, exhaust muffler, battery and also the location of spare fuel storage are free of grass, leaves or excessive amounts of lubricant.
- ✿ Regularly inspect the condition of the deflector and the grass catcher; replace if damaged.
- ✿ Drain the fuel in a well ventilated area when the engine has cooled down.
- ✿ When removing or installing the mowing blade, use thick work gloves.
- ✿ It is necessary to check the balance of the mowing blade every time that it is sharpened.

**⚠ ATTENTION:** Before carrying out maintenance or repairs, stop the engine and disconnect the spark plug.

- ✿ Regularly inspect the lawnmower and ensure that all grass deposits are removed from the underside of the chassis.
- ✿ Regularly lubricate the axle of the chassis and the bearings using a suitable lubricant.
- ✿ Regularly inspect the condition of the blades because they have a significant effect on the performance of the lawnmower. Blades should always be sharp and balanced.
- ✿ In regular intervals, check that all nuts and bolts are tightened. Nuts and bolts that are worn out or incorrectly tightened may cause serious damage to the engine or the frame.
- ✿ If the blade strongly impacts an obstacle, stop the lawnmower and take it to an authorised service centre.
- ✿ **BLADE:** the blade is made from pressed steel. To achieve the best possible mowing results, regularly sharpen the blades, approximately after every 25 hours of operation. Check that the blade is always correctly balanced. To do this, insert a steel axle (with a diameter of 2-3 mm) into the middle hole. If it is correctly levelled, the axis will remain in the horizontal position.
- ✿ If the blade does not remain in the horizontal position, replace it.
- ✿ When removing the blade, screw out the bolt, check the load bearing part of the blade. If the parts are worn out or damaged, replace them.

**⚠ ATTENTION:** Always use only original spare parts. Poor quality spare parts may cause serious damage to the lawnmower and create a safety hazard.

## SERVICE

- ✿ In the event that after purchasing the product you find any kind of defect, contact the service department. When using the product, follow the instructions contained in the included user's manual.
- ✿ A complaint will not be accepted if you modified the product or if you did not follow the instructions in the user's manual.

## WARRANTY DOES NOT COVER

- ✿ Normal wear and tear of operating parts of the machine as a result of its use
- ✿ Servicing tasks related to standard maintenance of the machine (e.g. cleaning, lubrication, tuning, etc.). Defects caused by external effects (e.g. climatic conditions, dustiness, inappropriate use, etc.)
- ✿ Mechanical damage resulting from the machine being dropped, impact, etc.
- ✿ Damages resulting from unprofessional handling, overloading, use of incorrect parts, inappropriate tools, etc.
- ✿ On returned products that were not properly protected against mechanical damage during transport, the risk of potential damage is borne exclusively by the owner.

## STORAGE

- ✿ If you will not be using the machine for an extended period of time, store it according to the following instructions. This will extend the lifetime of the machine.
- ✿ Fully drain fuel from the fuel tank and the carburettor.
- ✿ Screw out the spark plug and pour a small amount of motor oil into the socket. Gently pull the pull cord 2 to 3 times.
- ✿ Use a clean cloth to clean the exterior surfaces. Store the machine in a clean dry location.



## 10. TECHNICAL SPECIFICATIONS

Engine	RATO RV170-S
Engine type	OHV, air cooled, 4-stroke
Rated power	2.8 kW
Engine rpm	3000 rpm
Displacement	170 cm <sup>3</sup>
Starting	Pull cord
Fuel tank volume	1.5 litres
Recommended fuel	Petrol - lead-free, at least 95 octane
Oil tank volume	0.5 l
Recommended oil	SAE30, 15W-40
Mowing height adjustment	Central, 8 positions
Adjustable mowing height range	25-80 mm
Mowing coverage	510 mm
Wheel size	Front 178 mm, rear 254 mm
Grass catcher capacity	62 l
Chassis	steel
Declared noise level	98 dB (A)
Maximum vibration level	13.1 m/s (K=1.5)
Weight	36,5 kg

Amendments to text and technical parameters are reserved.

Changes in the text, design and technical specifications may be made without prior notice and we reserve the right to make such changes.

# 11. DISPOSAL

## **INSTRUCTIONS AND INFORMATION REGARDING THE DISPOSAL OF USED PACKAGING MATERIALS**

Dispose of used packaging material at a site designated for waste in your municipality.



The machine and its accessories are manufactured from various materials, e.g. metal and plastic.

Take damaged parts to a recycling centre. Inquire at the relevant government department.



This product meets all the basic requirements of EU directives that apply to it.

Changes in the text, design and technical specifications may be made without prior notice and we reserve the right to make these changes.

User's manual in the original language.

**FAST**<sup>®</sup>**FAST ČR, a.s.**Černokostecká 1621, 251 01 Říčany, Czech Republic  
tel.: +420 323 204 111, fax: +420 323 204 110

## Declaration of Conformity

**Product/ brand:** Gasoline powered lawnmower/ **FIELDMANN****Type/ model:** **FZR 5114-170B**  
170 cm<sup>3</sup>; 2,8 kW/2800 min<sup>-1</sup>, Cutting width 510mm, Lpa= 84,1dB(A), Lwa= 98dB(A)**Manufacturer:** FAST ČR, a.s.  
Černokostecká 2111, 100 00 Praha 10, Czech Republic  
VAT no: CZ26726548**This declaration of conformity is issued under the sole responsibility of the manufacturer.****The object of the declaration described above is in conformity with the relevant Union harmonisation legislation:**Directive Machinery 2006/42/EC  
Directive EMC 2014/30/EU  
Directive Noise 2000/14/EC + 2005/88/EC  
Directive Emission of gaseous 2016/1628/EU  
Directive RoHS 2015/863/EU**The relevant harmonised standards and the other technical specifications:**EN ISO 5395-1:2013+A1  
EN ISO 5395-2:2013+A1+A2  
EN ISO 14982:2009  
EN ISO 3744:1995  
ISO 11094:1991**Place of issuance:** Prague**Name:** Ing. Zdeněk Pech  
Chairman of the Board**Date of issuance:** 21. 8. 2019**Signature:****FAST**<sup>®</sup> FAST ČR, a.s.  
Černokostecká 1621, 251 01 Říčany  
IČO: 26726548 tel.: +420/ 323 204 111  
DIČ: CZ26726548 fax: +420/ 323 204 110

IČO: 26 72 65 48, DIČ: CZ-26 72 65 48

**Bankovní spojení:** Komerční banka Praha 1, č.ú. 89309011/0100, Česká spořitelna Praha 4, č.ú. 2375682/0800,  
CSOB Praha 1, č.ú. 8010-0116233383/0300





**FIELDMANN**<sup>®</sup>  
Home & Garden Performance

**Model /Modell /Modelis:** .....

**Záruční list / Záručný list /  
Warranty Certificate / Jótállási jegy /  
Garantijos taisyklės / Karta Gwarancyjna**

Výrobní číslo  
Výrobné číslo  
Serial No.  
Szériaszám  
Serijos Nr.  
Numer seryjny

Razítko a podpis prodejce  
Pečiatka a podpis predajcu  
Dealer's stamp  
A kereskedő bélyegzője  
Pardavėjo antspaudas  
Pieczętka i podpis sklepu

Datum prodeje  
Dátum predaja  
Date of purchase  
A vásárlás dátuma  
Pardavimo data  
Data zakupu

## Záruční podmínky

Prodávající poskytuje kupujícímu na výrobek záruku v trvání 24 měsíců od převzetí výrobku kupujícím. Záruka se vztahuje za dále uvedených podmínek. Záruka se vztahuje pouze na nové spotřební zboží prodané spotřebiteli pro běžné domácí použití. Práva z odpovědnosti za vady (reklamaci) může kupující uplatnit buď u prodávajícího, u kterého byl výrobek zakoupen nebo v níže uvedeném autorizovaném servisu. Kupující je povinen reklamaci uplatnit bez zbytečného odkladu, aby nedocházelo ke zhoršení vady, nejpozději však do konce záruční doby. Kupující je povinen poskytnout při reklamaci součinnou pomoc pro ověření existence reklamované vady. Do reklamačního řízení se přijímá pouze kompletní a z důvodů dodržení hygienických předpisů neznečištěný výrobek. V případě oprávněné reklamace se záruční doba prodlužuje o dobu od okamžiku uplatnění reklamace do okamžiku převzetí opraveného výrobku kupujícím nebo okamžiku, kdy je kupující po skončení opravy povinen výrobek převzít. Kupující je povinen prokázat své práva reklamovat (doklad o zakoupení výrobku, záruční list, doklad o uvedení výrobku do provozu...).

### Záruka se nevztahuje zejména na:

- vady, na které byla poskytnuta sleva
- opotřebení a poškození vzniklé běžným užíváním výrobku
- poškození výrobku v důsledku neodborné či nesprávné instalace, použití výrobku v rozporu s návodem k použití, platnými právními předpisy a obecně známými a obvyklými způsoby používání, v důsledku použití výrobku k jinému účelu, než ke kterému je určen
- poškození výrobku v důsledku zanedbané nebo nesprávné údržby
- poškození výrobku způsobené jeho znečištěním, nehodou a zásahem vyšší moci (živelná událost, požár, vniknutí vody...)
- vady funkčnosti výrobku způsobené nevhodnou kvalitou signálu, rušivým elektromagnetickým polem apod.
- mechanické poškození výrobku (např. ulomení knoflíku, pád...)
- poškození způsobené použitím nevhodných médií, náplní, spotřebního materiálu (baterie) nebo nevhodnými provozními podmínkami (např. vysoké okolní teploty, vysoká vlhkost prostředí, otřesy...)
- poškození, úprava nebo jiný zásah do výrobku provedený neoprávněnou nebo neautorizovanou osobou (servisem)
- případy, kdy kupující při reklamaci neprokáže oprávněnost svých práv (kdy a kde reklamovaný výrobek zakoupil)
- případy, kdy se údaje v předložených dokladech liší od údajů uvedených na výrobku
- případy, kdy reklamovaný výrobek nelze ztotožnit s výrobkem uvedeným v dokladech, kterými kupující prokazuje své práva reklamovat (např. poškození výrobního čísla nebo záruční plomby přístroje, prepisované údaje v dokladech...)

## Záručné podmienky

Predávajúci poskytuje kupujúcemu na výrobok 24 mesiacov záruku od jeho prevzatia kupujúcim. Záruka sa poskytuje ďalej za nižšie uvedených podmienok. Záruka sa vzťahuje iba na spotrebný tovar predaný spotrebiteľovi na bežné domáce použitie. Práva zo zodpovednosti za chyby (reklamácie) môže kupujúci uplatniť buď u predávajúceho, u ktorého bol výrobok zakúpený alebo v nižšie uvedenom autorizovanom servise. Kupujúci je povinný reklamáciu uplatniť bez zbytočného odkladu, aby nedochádzalo ku zhoršeniu chyby, najneskôr však do konca záručnej doby. Kupujúci je povinný pri reklamacii spolupracovať pri overení existencie reklamovanej chyby. Do reklamačného procesu sa prijíma iba kompletný a z dôvodu dodržania hygienických predpisov neznečistený výrobok. V prípade oprávnenej reklamácie sa záručná doba predlžuje o dobu od okamžiku uplatnenia reklamácie do okamžiku prevzatia opraveného výrobku kupujúcim, kedy je kupujúci po skončení opravy povinný výrobok prevziať. Kupujúci je povinný preukázať svoje práva reklamovať (doklad o zakúpení výrobku, záruční list, doklad o uvedení výrobku do prevádzky...).

### Záruka sa nevzťahuje na:

- chyby, na ktoré boli poskytnuté zľavy
- opotrebenia a poškodenia vzniknuté bežným užívaním výrobku
- poškodenie výrobku v dôsledku neodborné či nesprávne inštalácie, použítie výrobku v rozpore s návodom na použitie s platnými právnymi predpismi a všeobecne známymi a obvyklými spôsobmi používania, v dôsledku použítia výrobku za iným účelom, než na ktorý je určený
- poškodenie výrobku v dôsledku zanedbanej alebo nesprávnej údržby
- poškodenie výrobku spôsobené jeho znečistením, nehodou a zásahom vyššej moci (živelná udalosť, požiar, vniknutievody...)
- chyby funkčnosti výrobku spôsobené nevhodnou kvalitou signálu, rušivým elektromagnetickým polom a pod.
- mechanické poškodenie výrobku (napr. zlomenie gombíka, pád...)
- poškodenie spôsobené použitím nevhodných médií, náplní, spotrebného materiálu (batérie) alebo nevhodnými prevádzkovými podmienkami (napr. vysoké teploty v okolí, vysoká vlhkosť prostredia, otrasy...)
- poškodenie, úprava alebo iný zásah do výrobku spôsobený neoprávnenou alebo neautorizovanou osobou (servisom)
- prípady, keď kupujúci pri reklamacii nepreukáže oprávnenosť svojich práv (kedy a kde reklamovaný výrobok zakúpil)
- prípady, keď sa údaje v predložených dokladoch líšia od údajov uvedených na výrobku
- prípady, keď reklamovaný výrobok sa neshoduje s výrobkom uvedeným v dokladoch, ktorými kupujúci preukazuje svoje práva reklamovať (napr. poškodenie výrobného čísla alebo záručnej plomby prístroja, prepisované údaje v dokladoch...)

## Conditions of guarantee

This product is warranted for the period of 24 months from the date of purchase to the end-user. Warranty is limited to the following conditions. Warranty is referred only to the customer goods using for common domestic use. The claim for service can be applied either at dealer's shop where the product was bought, or at below mentioned authorized service shops. The end-user is obligated to set up a claim immediately when the defects appeared but only till the end of warranty period. The end-user is obligated to cooperate to certify the claiming defects. Only completed and clean (according to hygienic standards) product will be accepted. In case of eligible warranty claim the warranty period will be prolonged by the period from the date of claim application till the date of taking over the product by end-user, or the date the end-user is obligated to take it over. To obtain the service under this warranty, end-user is obligated to certify his claim with duly completed following documents: receipt, certificate of warranty, certificate of installation... **This warranty is void especially if apply as follows:**

- Defects which were put on sale.
- Wear-out or damage caused by common use.
- The product was damaged by unprofessional or wrong installation, used in contrary to the applicable instruction manual, used in contrary to legal enactment and common process of use or used for another purpose which has been designed for.
- The product was damaged by uncaared-for or insufficient maintenance.
- The product was damaged by dirt, accident of force majeure (natural disaster, fire, flood, ...).
- Defects on functionality caused by low quality of signal, electromagnetic field interference etc.
- The product was mechanically damaged (e.g. broken button, fall...).
- Damage caused by use of unsuitable media, fillings, expendable supplies (batteries) or by unsuitable working conditions (e.g. high temperatures, high humidity, quakes,...).
- Repair, modification or other failure action to the product by unauthorized person.
- End-user did not prove enough his right to claim (time and place of purchase).
- Data on presented documents differs from data on products.
- Cases when the claiming product can not be identified according to the presented documents (e.g. the serial number or the warranty seal has been damaged).

## Autorizovaná servisní střediska / Autorizované servisné strediská / Authorized service centres

FAST ČR, a. s.  
U Sanitasu 1621 CZ  
251 01 Říčany  
Česká republika  
Tel.: +420/ 323 204 120  
Fax: +420/ 323 204 121  
servis.praha@fastcr.cz  
www.fastcr.cz

FAST ČR, a. s.  
Cejl 31  
CZ 602 00 Brno  
Česká republika  
Tel.: +420/ 531 010 295  
Fax: +420/ 531 010 296  
servis.brno@fastcr.cz  
www.fastcr.cz

FAST Plus, spol. a. s.  
Na Pántoch 18  
SK 831 06 Bratislava  
Slovenská republika  
Tel.: +421/ 249 105 811  
Fax: +421/ 249 105 810  
fastplus@fastplus.sk  
www.fastplus.sk

## Jótállási jegy

■ A termék gyártója: FAST ČR, a.s. (U Sanitasa 1621, Řičany u Prahy 251 01, Csehország)

■ A FAST Hungary Kft. (2310 Szigetszentmiklós, Kántor út 10.) mint a termék magyarországi importőre a jótállási jegyben feltüntetett típusú és gyártási számú készülékre jótállást biztosít a fogyasztók számára az alábbi feltételek szerint:

■ A FAST Hungary Kft. a termékre a fogyasztó részére történő átadástól (vásárlástól), illetve ha az üzembe helyezését a termék értékesítő vállalkozás vagy annak megbízottja végzi, az üzembe helyezéstől számított 24 hónapig, míg 250.000,- Ft eladási ár felett 36 hónapig tartó időtartamra vállal jótállást. Ha a terméket a fogyasztó az átadástól számított fél éven belül helyzeti hibával, akkor a jótállást biztosító a termék átadásától kezdődik. A termék alkotórészeire és tartozékaira (pl. akkumulátor) a jótállási idő a termék átadásától számított 12 hónap.

■ A jótállási igény a jótállási jeggyel, az átadástól (ha releváns az üzembe helyezéstől) számított (i) 1 évig - 100.000,- Ft eladási árát meg nem haladó termék esetén; (ii) 2 évig - 250.000,- Ft eladási árát meg nem haladó termék esetén; (iii) 3 évig - 250.000,- Ft eladási árát meghaladó termék esetén a terméket értékesítő vállalkozásánál, annak székhelyén, vagy bármely telephelyén, fióktelepén, illetve mindhárom esetben a jótállási jegyben feltüntetett hivatalos szerviznél közvetlenül is, míg az előző (i) pont szerinti esetben, azaz 100.000,- Ft eladási árát meg nem haladó termék esetén a 13. hónapot a 24. hónapig kizárólag a hivatalos szerviznél érvényesíthető. ■ Jótállási jegy hiányában a fogyasztói szerződés megkötését bizonyítottan kell tekinteni, ha a fogyasztó bemutatja a termék ellenértékének megfizetését hitel érdemiön igazoló bizonylatot. Mindezek érdekében a József tisztelet Vásárlóinkat, hogy őrizzék meg a fizetési bizonylatot is. A jótállási időn belüli meghibásodás esetén a fogyasztó -választása szerint - (i) a hibás termék díjmentes kijavítását vagy kicserélését követelheti, kivéve, ha a választott igény teljesítése lehetetlen, vagy ha az a jótállásra kötelezettnek a fogyasztó által érvényesíteni kívánt másik igény teljesítésével összehasonlítva aránytalan többletköltséget eredményezne, vagy (ii) ha a kötelezett a kijavítást, illetve kicserélést nem vállalata, vagy e kötelezettségének megfelelő határidőn belül, a fogyasztó érdekeit kímélve nem tud eleget tenni, vagy ha a fogyasztónak a kijavításához vagy kicseréléséhez fűződő érdeke megszánt, akkor a fogyasztó megfelelő árleszállítást igényelhet, vagy a hibát a kötelezett költségére maga kijavíthatja vagy mással kijavíthatja vagy elállhat a szerződéstől. Jelentéken hiba miatt

elállásnak nincs helye. A fogyasztó a választott jogáról másra térhet át. Az áttérésről okozott költséget köteles a jótállásra kötelezettnek megfizetni, kivéve, ha az áttérésre a jótállásra kötelezett adott okot, vagy az áttérés egyébként indokolt volt. ■ Ha a jótállási időtartam alatt a termék első alkalommal történő javítása során megállapítást nyer, hogy a termék nem javítható, a fogyasztó eltérő rendelkezése hiányában a termék a megállapítást követő 8 napon belül kicserélésre kerül. Ha a termék cseréjére nincs lehetőség, a fogyasztó által bemutatott, a termék ellenértékének megfizetését igazoló bizonylaton feltüntetett vételárát nyolc napon belül kell a fogyasztó részére visszatéríteni. ■ Ha a jótállási időtartam alatt a termék három alkalommal történő kijavítást követően ismét meghibásodik, a fogyasztó eltérő rendelkezése hiányában, valamint ha a fogyasztó nem igényli a vételár arányos leszállítását, és nem kívánja a terméket a jótállásra kötelezett költségére kijavítani vagy mással kijavíttatni, a termék 8 napon belül kicserélésre kerül. Ha a termék kicserélésére nincs lehetőség, a fogyasztó által bemutatott, a termék ellenértékének megfizetését igazoló bizonylaton feltüntetett vételárát nyolc napon belül kell a fogyasztó részére visszatéríteni. ■ Ha a termék kijavítására a kijavítási igény közlésétől számított 30. napig nem kerül sor, a fogyasztó eltérő rendelkezése hiányában a termékét a 30 napos határidő eredménytelen eltelte követő nyolc napon belül cserélni kell. Ha a termék cseréjére nincs lehetőség, a fogyasztó által bemutatott, a termék ellenértékének megfizetését igazoló bizonylaton feltüntetett vételárát a 30 napos kijavítási határidő eredménytelen eltelte követő nyolc napon belül kell a fogyasztó részére visszatéríteni. ■ A fogyasztó a hiba felfedezését követően késedelem nélkül, legkésőbb a felfedezéstől számított 2 hónapon belül köteles a hibát közölni. A bejelentés kapcsán kérjük vegye figyelembe, hogy a **jótállási igény kizárólag a jótállási határidőben érvényesíthető!** **Mindazonáltal a jótállási határidő meghosszabbodik a javításra átadás napjától kezdve azzal az idővel, amely alatt a fogyasztó a terméket a hiba miatt rendeltetészerűen nem használhatta.** Ha a jótállásra kötelezett jótállási kötelezettségének megfelelő határidőben nem tesz eleget, a jótállási igény a fogyasztó erre irányuló felhívásában tűzött megfelelő határidő eltelteitől számított 3 hónapon belül akkor is érvényesíthető bíróság előtt, ha a jótállási idő már eltelt. E határidő elmulasztása jogvesztéssel jár. A jótállási kötelezettség teljesítésével kapcsolatosan felmerülő költségek a jótállás kötelezettjét terhelik.

■ A 151/2003. (IX.22.) Korm.rendeletben meghatározott tartós fogyasztási cikk meghibásodása miatt a vásárlástól (üzembe helyezésétől) számított három munkanapon belül érvényesített csereigény esetén a terméket értekesítő vállalkozás nem hivatkozhat aránytalan többletköltségre, hanem köteles a tartós fogyasztási cikket kicserélni, feltéve, hogy a meghibásodás a rendeltetészerű használatot akadályozza (és a csere nem lehetetlen). ■ Kijavítás esetén a fogyasztási cikkre csak új alkatrész kerülhet beépítésre. Javítási- vagy csereigény esetén törekedni kell arra, hogy a kijavítás vagy kicserélés 15 napon belül megtörténjen. Ha a javítás vagy a csere időtartama a 15 napot meghaladja, akkor tájékoztatni kell a fogyasztót a javítás vagy a csere várható időtartamáról. A tájékoztatás a fogyasztó előzetes hozzájárulása esetén elektronikus úton, vagy a fogyasztó általi átvétel igazolására alkalmas más módon történik. A rögzített bekötésű, illetve a 10kg-nál súlyosabb, vagy tömegközlekedési eszközön kézi csomagként nem szállítható fogyasztási cikket - járművek kivételével - az üzemeltetés helyén kell javítani. Ha a javítás az üzemeltetés helyén nem végezhető el, a le- és felszerelésről, valamint az el- és visszaszállításról a jótállás kötelezettje, vagy - a javítószolgáltatást közvetlenül érvényesítő kijavítási igény esetén - a javítószolgáltató gondoskodik.

■ Nem tartozik jótállás alá a hiba és a jótállásra kötelezett mentesül a jótállási kötelezettség alól, ha bizonyítja, hogy a hiba oka a termék fogyasztó részére való átadását követően keletkezett, így például ha a hibát ■ nem rendeltetészerű használat, használati útmutató figyelmen kívül hagyása, helytelen szállítás vagy tárolás, leejtés, rongálás, elemi kár, készüléken kívüli ok (pl. hálózati feszültség megengedettnél nagyobb ingadozása) ■ illetéktelen átalakítás, beavatkozás, nem hivatalos szerviz által végzett szakszerűtlen javítás ■ fogyasztó feladatát képező karbantartási munkák elmulasztása ■ normál, természetes elhasználódásra visszavezethető (pl. elem lemerülése) vagy üzemszertű kopásnak tulajdonítható meghibásodás okozta. A jótállás a fogyasztó jogszabályból eredő jogait, így különösen a Polgári Törvénykönyv szerinti kellékszavassági illetve termékszavassági jogait nem érinti. ■ Tájékoztatjuk, hogy a fogyasztóvédelmi törvényben meghatározott fogyasztói jogvita bíróságon kívüli rendezése érdekében Ön a megyei (fővárosi) kereskedelmi és iparkamara által működtetett békéltető testület eljárását is kezdeményezheti (a békéltető testületek elérhetősége: <https://bekeltetes.hu/index.php?id=testuletek>).

Hivatalos szerviz / Autorizovana sieć serwisowa

revision 01/2021

Fast Hungary Kft.  
2310, Szigetszentmiklós  
Kántor u. 10  
Hungary  
Tel.: + 36/ 23 330 830  
Fax: + 36/ 23 330 8274  
fasthungary@fasthungary.hu  
www.fasthungary.hu

## A kereskedő tölti ki

Megnevezés:.....

Típus:..... Gyártási szám: .....

A termék azonosításra alkalmas részeinek meghatározása (ha alkalmazható): .....

Vásárlást igazoló bizonylat száma:.....

A vásárlás (üzembe helyezés) időpontja: 20..... hó.....nap.

Kereskedő bélyegzője:

Kereskedő aláírása: .....

Kereskedő címe: .....

## Javítás esetén alkalmazandó

### A kereskedő vagy szerviznél történő közvetlen bejelentés esetén a szerviz tölti ki

A jótállási igény bejelentésének időpontja: .....

Javításra átvétel időpontja:.....

Hiba oka:.....

Javítás módja:.....

A termék fogyasztó részére való visszaadásának időpontja:.....

A jótállás – kijavítás időtartamával meghosszabbított – új határideje:.....

Szerviz pecsétje:

Kereskedő pecsétje:.....

## Kicserélés esetén alkalmazandó

A jótállási igény kicseréléssel került rendezésre.

A csere időpontja: .....

Kereskedő bélyegzője:

Tisztelt Fogyasztó!

Köszönjük, hogy termékünket választotta. Cégünk és szervizünk elérhetősége:

**FAST Hungary Kft.** H-2310 Szigetszentmiklós, Kántor út 10. Tel.: 06-23-330-905; 06-23-330-830;

Fax: 06-23-330-827, E-mail: [szerviz@fasthungary.hu](mailto:szerviz@fasthungary.hu)



## Garantijos taisyklės

Šiam gaminii suteikiama 24 mėnesių nuo įsigijimo datos garantija. Garantija apsiriboja žemiau pateikiamomis sąlygomis. Garantija skirta tik gaminiams, skirtiems buitiniam naudojimui. Dėl garantinio remonto pirkejas gali kreiptis į pardavėjo parduotuvę, kurioje gaminį pirkė, arba į nurodytus įgaliotus techninės priežiūros centrus. Galutinis naudotojas įsipareigoja pateikti pretenziją nedelsiant po defekto atsiradimo, tačiau tik iki garantijos galiojimo periodo pabaigos. Galutinis naudotojas įsipareigoja bendradarbiauti patvirtinant gaminio defektus, dėl kurių pateikia pretenziją. Priimtas bus tik pilnai sukomplektuotas ir švarus (pagal higienos standartus) gaminys. Jei pretenzija dėl garantinio remonto bus pagrįsta, gaminio garantijos galiojimo periodas bus prailgintas atitinkamai periodu nuo pretenzijos pateikimo datos iki galutinio naudotojas pasiims taisyktą gaminį arba iki datos, kada galutinis naudotojas turėtų pasiimti taisyktą gaminį. Norėdamas gauti garantinio remonto paslaugas, galutinis naudotojas turi patvirtinti pretenziją pilnai užpildytais sekanciais dokumentais: pirkimo kvitu, garantiniu talonu, instaliavimo sertifikatu. . .

**Garantija netaikoma:** ■ Nukainotoms (brokuotoms) prekėms. ■ Įprastinai susidėvinčioms gaminio dalims ■ Gedimams, atsiradusiems neprofesionaliai ar neteisingai gaminį instaliavus, nesilaikant gaminio naudojimo instrukcijų, naudojant gaminį ne pagal įstatymų numatytus standartus ar įprastinius tokio tipo gaminii naudojimo procesus, naudojant gaminį kitai paskirčiai nei numatyta. ■ Gedimams, atsiradusiems dėl netinkamos ar nepakankamos gaminio priežiūros. ■ Gedimams, atsiradusiems dėl purvo, nenugalimos jėgos aplinkybių (stichinių nelaimių, gaisro, potvynio, . . .). ■ Gedimams, atsiradusiems dėl prastos kokybės signalo, elektromagnetinio lauko trikdžių ir kt. ■ Radas mechaninių pažeidimų (pvz. sulaužyti mygtukai, kritimo požymiai. . .). ■ Gedimams, atsiradusiems naudojant gaminį su netinkamomis laikmenomis, jungiant prie netinkamų tinklų, dedant į gaminį netinkamus maitinimo šaltinius (baterijas) ar dėl bet kokių kitų netinkamų naudojimo sąlygų (pvz. aukštos temperatūros, didelės drėgmės, žemės drebjimų. . .). ■ Nustačius, kad gaminys taisyktas, modifikuotas ar ardytas neįgaliotų tai daryti asmenų. ■ Jei galutinis naudotojas neturi visų reikalingų dokumentų, įrodančių jo teisę į garantinį remontą (pvz. dokumento, kur būtų nurodytas gaminio įsigijimo laikas ir vieta). ■ Jei data pateiktuose dokumentuose skiriasi nuo datos ant gaminio.

## Warunki gwarancji

Produkt objęty jest 24 – miesięczną gwarancją, począwszy od daty zakupu przez klienta. Gwarancja jest ograniczona tylko do przedstawionych dalej warunków. Gwarancja obejmuje tylko produkty zakupione w Polsce i jest ważna tylko na terytorium Rzeczpospolitej Polskiej. Gwarancja obejmuje tylko produkty funkcjonujące w warunkach gospodarstwa domowego (nie dotyczy produktów oznaczonych jako „Professional”). Zgłoszenia gwarancyjne można dokonać w autoryzowanej sieci serwisowej lub w sklepie, gdzie produkt został nabyty. Użytkownik jest zobowiązany zgłosić usterkę niezwłocznie po jej wykryciu, a najpóźniej w ostatnim dniu obowiązywania okresu gwarancyjnego. Użytkownik jest zobowiązany do przedstawienia i udokumentowania usterki. Tylko kompletne i czyste produkty (zgodnie ze standardami higienicznymi) będą przyjmowane do naprawy. Usterki będą usuwane przez autoryzowany punkt serwisowy w możliwie krótkim terminie, nieprzekraczającym 14 dni roboczych. Okres gwarancji przedłuża się o czas pobytu sprzętu w serwisie. Klient może ubiegać się o wymianę sprzętu na wolny od wad, jeżeli punkt serwisowy stwierdzi na piśmie, że usunięcie wady jest niemożliwe. Aby produkt mógł być przyjęty przez serwis, użytkownik jest zobowiązany dostarczyć oryginały: dowodu zakupu (paragon lub faktura), podbitej i wypełnionej karty gwarancyjnej, certyfikatu instalacji (niektóre produkty).

### Gwarancja zostaje unieważniona, jeśli:

■ usterka była widoczna w chwili zakupu, ■ usterka wynika ze zwykłego użytkowania i zużycia, ■ produkt został uszkodzony z powodu złej instalacji, niezastosowania się do instrukcji obsługi lub użytkownika niezgodnego z przeznaczeniem, ■ produkt został uszkodzony z powodu złej konserwacji lub jej braku, ■ produkt został uszkodzony z powodu zanieczyszczenia, wypadku lub okoliczności o charakterze sił wyższych (powódź, pożar, wojny, zamieszki itp.) ■ produkt wykazuje złe działanie z powodu słabego sygnału, zakłóceń elektromagnetycznych itp., ■ produkt został uszkodzony mechanicznie (np. wylamany przycisk, upadek, itp.), ■ produkt został uszkodzony z powodu użycia niewłaściwych materiałów eksploatacyjnych, nośników, akcesoriów, baterii, akumulatorów itp. lub z powodu użytkowania w złych warunkach (temperatura, wilgotność, wstrząsy itp.), ■ produkt był naprawiany lub modyfikowany przez nieautoryzowany personel, ■ użytkownik nie jest w stanie udowodnić zakupu (nieczytelny paragon lub faktura), ■ dane na przedstawionych dokumentach są inne niż na urządzeniu, ■ produkt nie może być zidentyfikowany ze względu na uszkodzenie numeru seryjnego lub plomby gwarancyjnej.

Uab „Senuka Prekybos  
Centras“ Garantinis Servisas  
Jonavos G. 62, Lt-44192,  
Kaunas, Lithuania  
Tel.: +370 37 212 146  
Tex.: +370 37 212 165  
garrem@senukai.lt  
www.senukai.lt

Fast Poland, Sp. z o.o.  
Sokołowska 10  
PL 05-090 Puchawy  
Poland  
Tel.: +48 500 116 777  
Fax: +48 22 869 96 13  
fastpoland@fastpoland.pl  
www.fastpoland.pl

