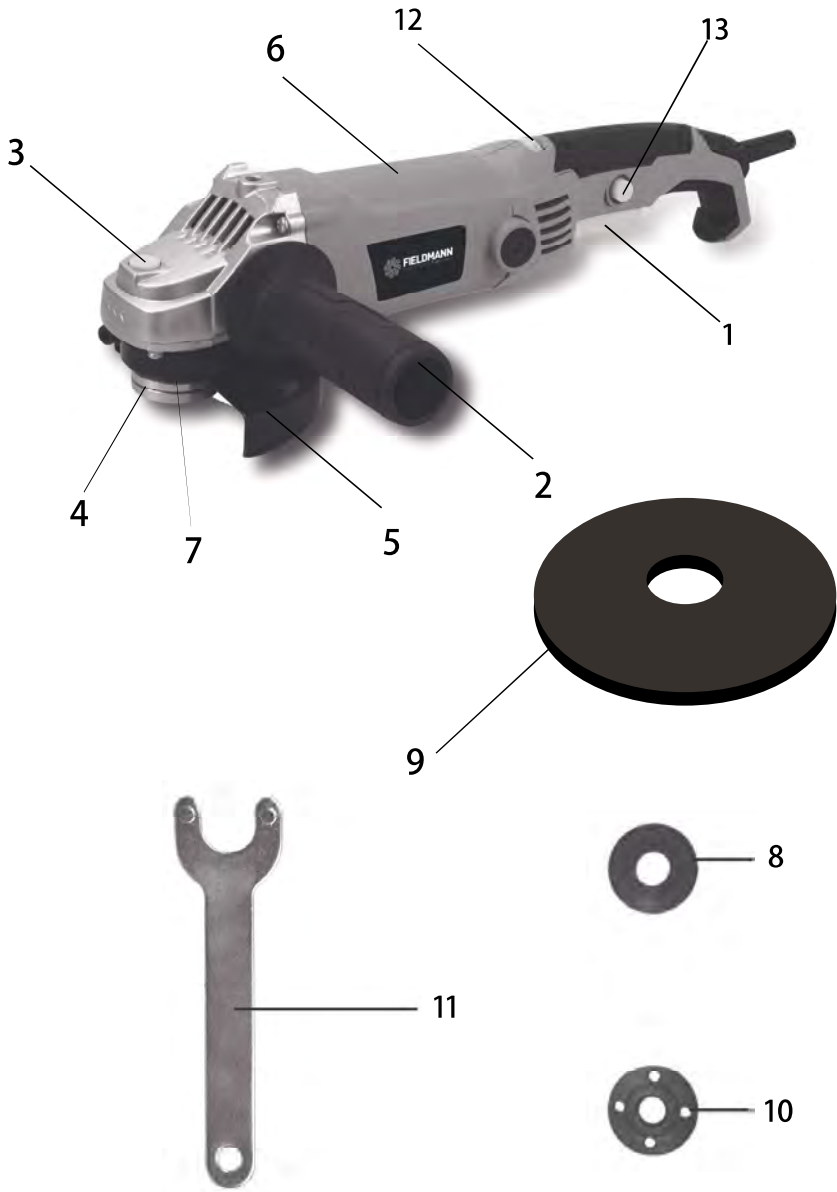
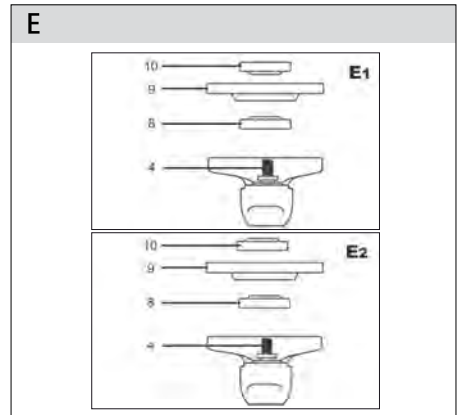
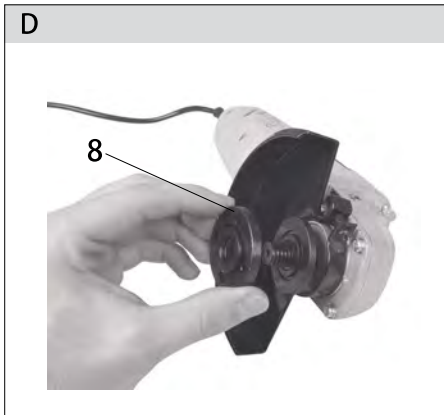
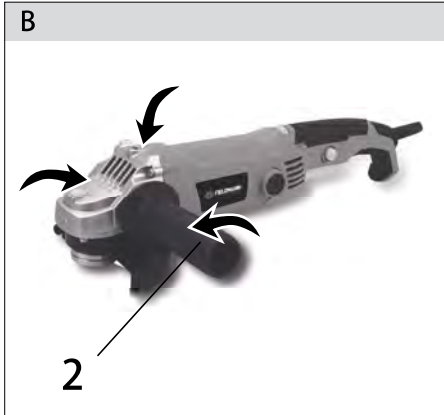




FDB 201201-E

A





Electrical Angle Grinder

INSTRUCTION MANUAL

Thank you for your purchase of the electrical angle grinder. For your personal safety, read and understand the Instruction Manual before using. Keep the Instruction Manual in a safe place for future reference.

CONTENTS

1. GENERAL SAFETY INSTRUCTIONS ,	6
2. SYMBOLS	10
3. MACHINE DESCRIPTION AND ITEMS DELIVERED	11
4. GENERAL SAFETY INSTRUCTIONS ,	11
5. SPECIAL SAFETY INSTRUCTIONS	15
6. USE AND OPERATION	20
7. WORKING WITH ANGLE GRINDER	21
8. CLEANING AND MAINTENANCE	22
9. OPERATION AND MAINTENANCE HINTS ,	22
10. TECHNICAL SPECIFICATIONS	23
11. DISPOSAL	25

GENERAL SAFETY INSTRUCTIONS

Carefully read, remember and keep these safety instructions

⚠ WARNING! In the use of electric machines and power tools, it is necessary to respect and follow the following safety instructions for the reasons of protection against electric shock, personal injury and danger of fire. The term "power tool" in the instructions below refers both to mains-operated (corded) power tool or battery-operated (cordless) power tool. Save all warnings and instructions for future reference.

Workplace

- ✿ Keep the work area clean and well lit. Cluttered or dark areas in the workplace invite accidents. Store power tools that you don't currently use.
- ✿ Do not operate power tools in environments with danger of occurrence of a fire or explosion, such as in the presence of flammable liquids, gases, or dust. Power tools create sparks which may ignite the dust or fumes.
- ✿ Keep unauthorised persons, especially children, away from the work area while operating a power tool! Distractions can cause you to lose control over the performed activity. In no event leave your power tool unattended. Keep the equipment away from animals.

Electrical Safety

- ✿ Power tool plugs must match the mains socket outlet. Never modify the plug in any way. Do not use any adapter plugs with earthed (grounded) power tools. Undamaged plugs and matching outlets will reduce risk of electric shock. Damaged or fouled supply cables increase the risk of electric shock. If the power cord is damaged, it must be replaced by a new power cord which is available at the authorised service centre or the importer.
- ✿ Avoid body contact with earthed or grounded surfaces such as pipes, radiators, cooking ranges and refrigerators. There is an increased risk of electric shock if your body is earthed or grounded.
- ✿ Do not expose power tools to rain or wet conditions. Never touch the power tool with wet hands. Never wash the power tool under running water or immerse it in water.
- ✿ Never use the supply cable for other than intended purposes. Never use the cord for carrying or pulling the power tool. Never unplug the plug from the outlet by pulling the cable. Keep electric cables away from sharp or hot objects to prevent mechanical damage.
- ✿ The power tool was designed to be powered solely by alternating electric current. Always check if the electric voltage matches the information specified in the type label of the power tool.
- ✿ Never use power tool with damaged electric cable or plug or which has been dropped or is in any way damaged.

- ✿ If an extension cord is used, always check whether its technical parameters match the information specified in the type label of the power tool. When operating a power tool outdoors, use an extension cord suitable for outdoor use. If extension drums are used, these must be rolled out to prevent overheating of the cord.
- ✿ If a power tool is operated in a damp location or outdoors, its operation is only permitted if connected to an electric circuit protected by a residual current device <math>< 30\text{ mA}</math>. Use of residual current device (RCD) reduces the risk of electric shock.
- ✿ Hold the power tool by insulated gripping surfaces only as the cutting or drilling tool may contact hidden wiring or its own power cord during operation.

Personal Safety

- ✿ Be careful, stay alert and watch what you are doing when operating a power tool. Concentrate on your work. Do not use a power tool while you are tired or under the influence of drugs, alcohol or medication. A moment of inattention while operating power tools may result in serious personal injury. Do not eat, drink and smoke while operating a power tool.
- ✿ Use personal protective equipment. Always wear eye protection. Use protective equipment corresponding to the type of work you are doing. Protective equipment such as dust mask, non-skid safety shoes, hard hat, or hearing protection used in accordance with the working conditions will reduce the risk of personal injury.
- ✿ Prevent unintentional starting. Do not carry the power tool while it is energised or with your finger on the switch or trigger. Ensure the switch or trigger is in the "off" position before connecting to power source. Carrying power tools with your finger on the switch or energising power tools that have the switch on may result in serious injuries.
- ✿ Remove any adjusting key or wrench before turning the power tool on. An adjusting wrench or a key left attached to a rotating part of the power tool may result in personal injury.
- ✿ Keep proper footing and balance at all times. Do not overreach. Never overestimate your own capabilities. Never use power tools while you are tired.
- ✿ Dress properly. Wear work clothes. Do not wear loose clothing or jewellery. Keep your hair, clothing, gloves and other part of your body away from moving or hot parts of the power tool.
- ✿ Connect the equipment to dust exhaustion. If the tools are provided for the connection of dust collection or exhaustion devices, ensure these are properly connected and used. Use of such devices can reduce dust-related hazards.
- ✿ Fix the work-piece tightly. Use a cabinet clamp or a cramp to fix the work-piece you are about to machine.
- ✿ Never use power tools if you are under the influence of alcohol, drugs, medication or other narcotic or addictive substances.
- ✿ This equipment is not intended for use by persons (including children) with limited physical, sensual or mental capacities or lack of experience or knowledge unless they are supervised or instructed about the use of the equipment by a person responsible for their safety. Children must be supervised to make sure they are not playing with the equipment.

Power Tool Use and Maintenance

- ✿ Always disconnect the power tool from the mains in case of any problem during the work, before cleaning the power tool or its maintenance, during each transportation and after the completion of the work! Never operate a power tool if it is damaged in any way.
- ✿ Immediately stop working if the power tool generates abnormal noise or smell.
- ✿ Do not overload the power tool. The power tool will operate better and safer if it is used at the rate for which it was designed. Use correct power tool which is intended for the given activity. The correct power tool will do the job it was designed for better and safer.
- ✿ Do not use the power tool if it cannot be safely turned on and off using the control switch. Use of such power tool is dangerous. Defective switches must be repaired by a certified service provider.
- ✿ Disconnect the tool from the power source before making any adjustments, changing accessories or maintenance. Such preventive safety measure prevents the risk of starting the power tool accidentally.
- ✿ Store idle power tools out of the reach of children and unauthorised persons. Power tools can be dangerous in the hands of untrained users. Store the power tools in a dry and safe place.
- ✿ Keep the power tool in good condition. Check the adjustment of moving parts and their mobility. Check for any damage to the protective guards or other parts which could affect safe operation of the power tool. If damaged, have the power tool properly repaired before further use. Many accidents are caused by poorly maintained power tools.
- ✿ Keep cutting tools sharp and clean. Properly maintained cutting tools with sharp cutting edges facilitate work, reduce the risk of injury and are easier to control. Use of accessories other than those specified in the instructions for use could result in damage to the power tool and cause injuries.
- ✿ Use the power tool, accessories and tool bits etc. in accordance with these instructions and in the manner intended for the particular type of power tool taking into account the working conditions and the work to be performed. Use of the power tool for purposes other than those the power tool was intended for could result in hazardous situations.

Service

- ✿ Do not replace parts of the power tool, do not make any repairs or interfere in any way with the construction of the power tool. Have your power tool repaired by qualified repair persons.
- ✿ Any repair or modification of the product without our company's authorisation is impermissible (it could cause injury or damage to the user).
- ✿ Always have your power tool repaired in a certified service centre. Use only original or recommended replacement parts. This will ensure that your safety and the safety of your power tool is maintained.

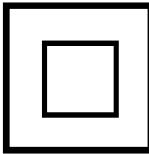
2. SYMBOLS



The product complies with the applicable standards and regulations.



Read the Instruction Manual attentively prior to use.



Double-insulated.



Use eyes protective equipment



Use ears protective equipment



Spindle thread: M14

3. MACHINE DESCRIPTION AND ITEMS DELIVERED

Machine Description (See fig. 1)

- | | |
|----------------------|-------------------------------|
| 1 - Switch | 7 - Screw of Protective Cover |
| 2 - Side Handle | 8 - Washer |
| 3 - Disk Lock-Button | 9 - Grindstone |
| 4 - Spindle | 10 - Tightening Female Screw |
| 5 - Protective Cover | 11 - Tightening Spanner |
| 6 - Case | 12 - Speed Selector |
| | 13 - Safety Button |

Items Delivered

Remove all contents from the box and inspect to ensure no damage was incurred during shipping, and that the items listed below are included.:

- ✿ Angle grinder
- ✿ Side Handle
- ✿ Tightening nuts
- ✿ Flange key
- ✿ Disc guard
- ✿ Instruction Manual
- ✿ GRINDSTONE

Should the components be missing or damaged, contact the dealer of the machine.

4. GENERAL SAFETY INSTRUCTIONS

Please read these safety instructions carefully, remember them and keep them in a safe place

⚠ WARNING! When using electric machinery and power tools, it is important to abide by and adhere to the following safety instructions for reasons of protection against injury caused by electric current, injury of persons and risk of starting fires. The term "power tools" used in the instructions below refers to power tools that are plugged into a power supply (by a power cord) as well as tools running on a battery pack (cordless). Keep all warnings and instructions for further use.

Work environment

- ✿ Keep the work area clean and well lit. Untidiness and dark places on the job site are usually causes of accidents. Store tools that are not used.

- ✿ Do not use power tools in an environment where there is risk of starting a fire or explosion; this refers to places where there are flammable liquids, gases or dust. Sparks form on the power tool's commutator, which can cause dust or fume ignition.
- ✿ When using power tools, unauthorized persons, especially children, should be denied entry to the job site! In case you are interrupted, you can lose control of the current activity. In any case, do not leave the power tool without supervision. Prevent animals from approaching the equipment.

Electrical safety

- ✿ The power tool's power plug must correspond to the power outlet. Never alter the plug in any way. If the tool's plug has a safety peg, never use an adapter of any kind. Undamaged plugs and corresponding outlets prevent the risk of injury by electric current. If the power cord is damaged, it must be replaced by a new power cord that can be obtained from an authorized service centre or the importer.
- ✿ Avoid bodily contact with grounded items, e.g. piping, radiators, kitchen ranges and refrigerators. The risk of injury by electric current is greater if your body is connected to the ground.
- ✿ Do not expose power tools to rain, moisture or dampness. Never touch power tools with wet hands. Never wash power tools with running water and never submerge them into water.
- ✿ Do not use the power cord for any other purpose than originally intended. Never carry or pull the power tools by the power cord. Do not pull the plug out of the outlet by pulling on the cord. Avoid mechanical damage to the power cord by sharp or hot objects.
- ✿ Power tools were manufactured exclusively for the AC power supply. Always check if the electrical voltage corresponds to the data printed on the tool's serial number label.
- ✿ Never work with a tool that has a damaged power cord or plug, or that has fallen on the ground and is damaged in any way.
- ✿ In the case of using an extension cord, always check that its technical parameters correspond to the data printed on the tool's serial number label. If the power tool is used outdoors, use an extension cord that is appropriate for exterior use. When using an extension cable drum, the cord must be unwound to prevent the cord from overheating.
- ✿ If the power tool is used in moist areas or outdoors, it is permitted to use it only if it is plugged into an electric circuit with a residual current device ≤ 30 mA. Using a circuit with an RCD lowers the risk of injury by electric current.
- ✿ Grasp hand power tools at the designated isolated grip areas because, during operation, one may come into contact with the cutting or drilling fittings with a hidden conductor or with the power cord.

Personal safety

- When using a power tool, be careful and alert, pay special attention to the activity you are doing. Concentrate on your work. Do not work with power tools if you are tired or if you are under the influence of drugs, alcohol or medication. When using power tools, even a momentary lapse in attentiveness can lead to severe personal injury. Do not eat, drink or smoke while working with power tools.
- Use protective gear. Always use eye protection. Use protective gear corresponding to the type of work you are doing. Protective gear such as respirators, safety shoes with antiskid treatment, head protection or ear protection, used in accordance with working conditions, lower the risk of personal injury.
- Avoid unintentional operation of tools. Do not carry tools that are plugged into the electric grid with your finger on the switch or release trigger. Before connecting the tool to a power supply, make sure that the switch or release trigger are in the "off" position. Carrying tools with your finger on the switch or plugging the tool into an outlet with the switch in the "on" position can cause serious injury.
- Before turning tools on, remove all adjustment wrenches and tools. The adjustment wrench or tool that stays connected to the rotating part of the power tool can cause personal injury.
- Always stand firmly and keep your balance. Work only in places that you can reach safely. Never overestimate your own strength. Do not use power tools if you are tired.
- Dress appropriately. Use working clothes. Do not wear loose clothing or jewellery. Make sure that your hair, clothing, gloves or other body parts do not come overly close to rotating or heated parts of the power tool.
- Connect the equipment to the dust exhaust. If the tool offers the possibility to connect equipment for capturing dust or dust suction, make sure that it is properly connected and used. Using this equipment can reduce danger resulting from dust.
- Firmly fasten the workpiece. Use a carpenter's clamp or vice to secure the piece you will be cutting.
- Do not use power tools if you are under the influence of alcohol, drugs, medication or other narcotics or addictive substances.
- This equipment is not intended to be used by persons with limited physical, sensory or mental abilities (including children) or persons with insufficient experience and knowledge, unless they are supervised or received instructions to use the equipment from a person responsible for his/her safety. Children must be supervised in order to ensure that they are not playing with the equipment.

Using power tools and their maintenance

- Always disconnect the power tool from the electric grid if there is any problem during work, before every cleaning or maintenance, during every shift and after finishing work! Never work with power tools if they are damaged in any way.
- If the tool starts emitting abnormal noises or odours, immediately stop working.

- ⚠ Do not overload power tools. The power tool will function better and more safely if it operates at speeds for which it was designed. Use correct tools that are designated for the given activity. The correct tool works better and more safely.
- ⚠ Do not use power tools that cannot be turned on safely and cannot be turned on and off with a control switch. Using this type of tool is dangerous. Faulty switches must be repaired at a certified service centre.
- ⚠ Disconnect the tool from the power supply before you start setting, changing accessories or maintenance. This measure will prevent the risk of accidental start-up.
- ⚠ Store unused power tools so that they are out of the reach of children and unauthorized persons. Power tools in the hands of inexperienced users can be dangerous. Store power tools in a dry and safe place.
- ⚠ Keep power tools in good condition. Regularly check the setting of moving parts and their movability. Check if the protective cover or other parts that can limit the safe functioning of the power tool are not damaged. If the tool is damaged, ensure its proper repair before the next use. Many injuries are caused by poorly maintained power tools.
- ⚠ Keep cutting tools sharp and clean. Properly maintained and sharpened tools make work easier, limit the risk of injury and work with them is much more easily controlled. Using other accessories than those listed in the instruction manual can cause damage to the tool and can cause injury.
- ⚠ Use power tools, accessories, work tools, etc. in accordance with these instructions and in a way that is described for the specific power tool and with regard to the given working conditions and the type of job. Using tools for other purposes than those intended can lead to dangerous situations.

Service

- ✿ Do not change parts of the tool, do not perform repairs on your own and do not interfere with the tool's construction in any way. Leave tool repairs to qualified persons.
- ✿ Each repair or product modification performed without our company's permission is inadmissible (it can cause injury or harm to the user).
- ✿ Always leave tools to be repaired in a certified service centre. Use only original or recommended spare parts. This will ensure your and your tool's safety.

5. SPECIAL SAFETY INSTRUCTIONS

⚠ WARNING! Before use, please read these safety instructions and keep them in a safe place.

- ✿ Upon failure to follow the instructions specified in this manual, there is a risk of injury.
- ✿ Angle grinder conforms to applicable technical regulations and standards.

Safety warning for works such as grinding, surfacing, wire brushing, polishing or abrasive cutting

- ✿ These electro-mechanical tools are intended for use as grinder, surface grinder, wire brusher, polisher or cutting tool. It is necessary to read all safety warnings, instructions, illustrations and specifications for the electro-mechanical tools. Non-compliance with the below mentioned instructions can lead to injury by electrical current, fire and/or serious injury.
- ✿ It is not recommended to use the tools for works such as grinding, surfacing, wire brushing, polishing or cutting. Using the tools for work, for which it is not designed, may cause risks and injury of persons.
- ✿ Accessories not specifically designed and recommended by the tool's manufacturer may not be used. The mere fact, that an accessory can be connected to your tool does not guarantee its safe operation.
- ✿ The nominal speed of the accessory has to be at least equal the maximal speed marked on the tool. Accessories, operating at higher speeds than its nominal speed, can break and fall apart.
- ✿ The outer diameter and thickness of the accessory has to be within the limits of the nominal range for particular electromechanical tools. The accessories of incorrect size cannot be sufficiently guarded or controlled.
- ✿ Chucking dimensions of disks, flanges, support blocks or other accessories have to be suitable for the tool's spindle. The accessories with chucking holes, which do not match the assembly dimensions of electromechanical tools, will be unbalanced, can generate excessive vibrations and can cause loss of control.

- ✿ It is prohibited to use damaged accessories. The accessories have to be checked prior to each use: splitting and cracks of grinding disks, cracks of support blocks, tearing of excessive wear, loose or broken wires on wire brushes. If the accessories or tools were dropped, check it for damage or install undamaged accessories. After checking and installation of the accessories the operator and bystanders have to stand outside the plane of the rotating accessories and the tool has to be left running idle at the highest speed for one minute. During this trial period damaged accessory usually breaks or falls apart.
- ✿ Personal protective equipment has to be used. According to condition a face shield or safety goggles have to be used. Use dust mask, hearing protection, gloves and work apron, capable of arresting small fragments of the abrasive material or work piece, as appropriate. Eye protection has to be capable of arresting flying fragments, generated during various work activities. Dust mask or respirator has to be able of filtering particles, generated during a particular activity. Long-term exposure to high-intensity noise can cause loss of hearing.
- ✿ Bystanders have to keep a safe distance from the working area. Everyone entering the working area has to use personal protective equipment. Fragment of the work piece or damaged accessories may fly away and cause injury even outside the immediate working area.
- ✿ During work, during which the tool can touch a hidden wiring or its own power supply, the electromechanical tool has to be held by the insulated holding surfaces. Contact of the tool with a "live" wire can cause the metallic parts of the electromechanical tool to become "live" and may cause an injury by electric current.
- ✿ Mobile power supply has to be placed outside the reach of the rotating tool. In case the operator loses control, the mobile power supply can be cut or ground through, and a hand or arm of the operator may be dragged to the rotating tool.
- ✿ Electromechanical tool may not be put down before the tool stops completely. Rotating tool may get caught on a surface and may pull the tool out of the operator's control.
- ✿ Electromechanical tool may not be started while the tool is carried by the operator. Rotating tool may, in case of a accidental contact, catch clothing and be pulled to the body.
- ✿ Ventilation holes of the tool have to be cleaned regularly. The motor ventilator brings dust into the casing and excessive accumulation of metallic dust can cause an electric hazard.
- ✿ Work with electromechanical tool in the vicinity of flammable materials is prohibited. Ignition of the materials by sparks may occur.
- ✿ Use of accessories requiring cooling by liquid is prohibited. Use of water or other coolants may cause injury or death by electric current.

Safety warning for works such as grinding, surfacing, wire brushing, polishing or abrasive cutting

- ✿ Kick-back is a sudden reaction on pinching or seizing of a rotating disk, support block, brush or other accessory. Pinching or seizing causes sudden stoppage of a rotating tool, which subsequently causes, that uncontrolled tool moves in the opposite direction to the rotation of the tool in the moment of seizing.
- ✿ Kick-back is a consequence of the use of electromechanical tools and/or incorrect working procedures of conditions and it can be prevented by the compliance with the below described safety measures.
- ✿ The tool has to be held firmly while maintaining a correct position of the body and arms to resist the forces of the kick-back. Auxiliary handle has to be used if the tool is fitted with it, for maximum control of the kick-back or reaction torque when starting the tool. The operator can control the reaction torques and the kick-back forces if the correct safety measures are observed.
- ✿ Do not put hands in the vicinity of the rotating tool. The kick-back of the tool may throw the operators arm away.
- ✿ Do not stand in the area, into which the tool might be thrown by the kick-back. Kick-back will throw the tool in the opposite direction to the movement of the disk at the moment of seizure.
- ✿ Pay special attention to the machining of corners, sharp edges etc. Prevent skipping and seizure of the tool. Corners, sharp edges or skipping tends to cause seizure of a rotating tool and loss of control or kick-back.
- ✿ Never attach saw chain woodcarving disk or toothed saw disk to the tool. These disks frequently cause a kick-back or loss of control.

Additional safety instructions for grinding and cutting

Safety warnings specific for grinding and abrasive cutting

- ✿ Use types of disks recommended for a particular electromechanical tool and particular guard, which is designed for the selected disk. Disks, for which the electromechanical tool was not designed, cannot be appropriately guarded and are dangerous.
- ✿ Protective guard has to be securely attached to the electromechanical tool and placed for maximum safety so the smallest possible part of the disk is uncovered from the operator's point of view. A protective guard helps to protect the operator from fragments of the disk, accidental contact with the disk and sparks, which could ignite clothing.
- ✿ The disks may be used only for a recommended purpose. For example: grinding with the side of a cutting disk is prohibited. Abrasive cutting disks are intended for a circumferential cutting, side forces applied on these disks could shatter them.
- ✿ Always use undamaged disk flanges with appropriate size and shape. Correct disk flanges support the disk and reduce the risk of shattering. Flanges for cutting disks may be different from flanges for grinding disk.
- ✿ Do not use worn disks, with larger original dimensions, intended for larger electromechanical tools. Disks intended for larger electromechanical tools are not suitable for higher speeds of smaller tools and may shatter.

Additional safety instructions for cutting

Additional safety warnings specific for abrasive cutting

- ✿ -Cutting disk may not strike material or exert excessive pressure. Do not attempt to achieve excessive depth of cut. Overloading of the disk increases the risk of distortion or seizing of the disk and kick-back or breaking of the disk.
- ✿ Do not stand in line with the rotating disk or behind it. In the moment when a disk is moving in the point of contact away from the operator's body, kick-back may throw the spinning disk and electromechanical tool directly on the operator.
- ✿ If the disk seizes or cutting is interrupted for any reason, electromechanical tool has to be switched off and held motionless, until the disk stops completely. The operator may not attempt to remove the cutting disk from a cut while the disk is moving, because it may cause a kick-back. Check the situation and take steps to prevent seizure of the disk.
- ✿ Do not start the cutting in the work piece again. Let the disk to reach full speed and insert it carefully into the cut. If the tool is restarted with the disk inserted in the cut, it may lead to its seizure, pushing up or a kick-back.
- ✿ Panels and other large work pieces have to be supported to reduce the risk of seizure and kick-back. Large pieces of work have a tendency to bend under its own weight. The supports have to be placed beneath the work piece close to the line of cutting and close to the edges of the work piece on both sides of the disk.
- ✿ Pay special attention while "cutting into a cavity" into current walls of other blind spaces. The penetrating disk may cut through a gas or water line, electric cables or objects, which may cause a kick-back.

Additional safety instructions for surfacing

Safety warnings specific for surfacing

- ✿ Do not use sand paper of excessive size for the grinding disk. Follow the manufacturer's instructions while selecting the sand paper. Large sand paper, which extends over the grinding disk, represents a risk of tearing and may cause seizure, tearing of the disk or a kick-back.

Additional safety instructions for polishing

Safety warnings specific for polishing

- ✿ Do not let any loose parts of the polishing sleeve or its attachment strings rotate freely. All loose attachment strings have to be slipped beneath or cut away. Loose and rotating attachment strings may get caught in the operator's fingers or in the work piece.

Additional safety instructions for wire brushing

Safety warnings specific for wire brushing

- ✿ This product is not intended for wire brushing
- ✿ Wire bristles are thrown away even during normal work. Do not overload wires by excessive pressure on the brush. Wire bristles may easily penetrate light clothing and/or skin.
- ✿ If a protective guard is recommended for wire brushing, make sure any contact between the wire disk or brush and the protective cover is prevented. Wire disk or brush may, due to loading or centrifugal forces during work, increase its diameter.
- ✿ Do not use other accessories except for grinding, cutting and diamond discs.
- ✿ Never use the tools without the safety screen.
- ✿ Always use eye protection (protective goggles or safety shield) and hearing protection.
- ✿ Do not use any cutting and grinding discs for side grinding.
- ✿ Make sure to keep the vents free of any obstacles during dusty work.
- ✿ During wall cutting check that there are no electric lines in the walls (using metal detector).
- ✿ Never water-cool grinding disc.
- ✿ Do not touch the edge after machining, it may be hot.
- ✿ Never attach the grinding machine to the work bench.
- ✿ Make sure that the rotational speed specified on the grinding disc is higher than or equals the rotational speed of the angle grinder specified in the type label.
- ✿ Do not cut any material that requires a cut with maximum depth exceeding the depth of the grinding disc.
- ✿ Do not cut and grind light metals with higher magnesium content than 80% as such metals are flammable
- ✿ Make sure that the grinding disc has the right dimensions and is correctly mounted on the spindle.
- ✿ Handle the grinding discs very carefully and in accordance with instructions supplied with the grinding disc.
- ✿ Inspect the grinding disc before each use.
- ✿ Do not use grinding discs that are cracked or otherwise damaged.
- ✿ Make sure that the grinding disc is mounted according to instructions.
- ✿ After mounting the grinding disc, let the grinder run at idle speed in a safe place. If the grinder shows strong vibrations or if the grinding disc shows visible damage, immediately turn off the grinder and try to identify the cause.

- ⚠ Do not use any reducers or other auxiliary parts for mounting grinding discs intended for different spindle diameter.
- ⚠ Make sure that the material is adequately supported or fixed.
- ⚠ Never use grinding disc to remove burrs.
- ⚠ Make sure to prevent the sparks from hitting a person or igniting inflammable goods.
- ⚠ Do not work with the grinder if someone is standing in the line of the grinding disc. Make sure to clean up the working area around you.
- ⚠ Press the locking knob of the disc (3) only after the engine and spindle of the grinder have completely stopped !
- ⚠ Remember that the grinding disc will continue to rotate for a while after switching off the grinder due to inertia.
- ⚠ Always use the auxiliary handle supplied with the tool.
- ⚠ Loss of control over the electric tools could cause injury.

⚠ WARNING! Use means of protection against noise, dust and vibrations !!!

⚠ WARNING! Keep these safety instructions!!!

6. USE AND OPERATION

- ⚠ This angle grinder is intended for household or hobby use only.
- ⚠ The manufacturer and importer do not recommend using this tool in extreme conditions and under high load.
- ⚠ Any other additional requirements must be agreed between the manufacturer and the customer.
- ⚠ The machine is intended for cutting, grinding, rough-working and polishing of metals, stones and ceramic articles, if a suitable disc is used.
- ⚠ Use the machine and attachments (note the manufacturer's specifications) only for the intended range of applications.
- ⚠ Any other use is strictly forbidden.

Attaching the side handle (Figure B)

- ⚠ Mount the side handle (2) into one of the mounting holes.

How to attach and remove the safety guard (Figure C)

- ⚠ Unscrew the bolt of the safety guard fastening clamp (7).
- ⚠ Attach the safety guard (5) as shown in the figure (C) and tighten the bolt firmly.
- ⚠ Use reverse procedure to remove the safety guard.

⚠ WARNING! Never use the grinder without the safety screen.

How to attach and remove the grinding disc (Figure D,E,F)

⚠ WARNING! Before attaching or removing the grinding disc always unplug the supply cable of the grinder from the socket.

- ✿ Put the grinder onto table with the spindle facing up.
- ✿ Attach the safety guard (5) according to instructions specified above.
- ✿ Fit the washer (8) on the spindle (4).
- ✿ Fit the grinding disc (9) on the washer.
- ✿ Screw the tightening nut (10) onto the spindle.
- ✿ Press the locking knob (3) and firmly tighten the tightening nut (10) using the Phillips screwdriver.
- ✿ If grinding disc is used, tighten the tightening nut (10) with the guiding lobe facing down (E1).
- ✿ If cutting disc is used, tighten the tightening nut (10) with the guiding lobe facing up (E2).

⚠ WARNING! Press the locking knob of the spindle (3) only after the engine and the spindle of the grinder have stopped and are not running!

- ✿ You must hold the locking knob of the spindle (3) during the entire replacement of the disc.
- ✿ Release the locking knob.
- ✿ Use reverse procedure to remove the grinding disc.

Switching On and Off (Figure G)

- ✿ Switch on the grinder by sliding the switch (1) to position "I"
- ✿ Switch off the grinder by sliding the switch (1) to position "0".

7. WORKING WITH ANGLE GRINDER

- ✿ The optimum angle of disc to work piece is 150°.
- ✿ Maintain the largest possible distance between the disc and operator.
- ✿ Exert only slight pressure and no lateral load on the disc. Note the direction of rotation and watch out for flying sparks.
- ✿ Avoid knocking the work piece.
- ✿ If the disc diameter is less than 80 mm, change the disc.

8. CLEANING AND MAINTENANCE

- ✿ Before cleaning and maintenance, always unplug the supply cable of the tool from the socket.
- ✿ Your tool requires no additional lubrication or maintenance. It contains no parts that can be repaired by you.
- ✿ Never use water or chemical cleaners to clean your tool. Wipe the tool using a dry cloth.
- ✿ Keep the engine fan apertures clean.
- ✿ If you notice very weak sparking in the engine area, your tool is in good order. If the sparking is more intense, it indicates the engine fault.
- ✿ Never clean any part of the tool using a hard, sharp or rough object.

Inspection and Replacement of Carbon Brushes

- ✿ Carbon brushes need to be checked on a regular basis.
- ✿ In case of wear and tear, replace both carbon brushes simultaneously. Attach the carbon brush holders.
- ✿ After attaching new carbon brushes, let the grinder run, without load, for 5 minutes.
- ✿ Use only correct types of carbon brushes.

Storage if the tool is not used for a long time

- ✿ Do not store the tool in places with high temperatures.
- ✿ Store the equipment in a place with constant temperature and humidity.

9. OPERATION AND MAINTENANCE HINTS

- ✿ Store the machine, Instruction Manual and the accessories in the original packaging. In this way you will always have all the information and parts ready to hand.
- ✿ Devices are to a large extent free of maintenance, you only need a damp cloth to clean the casing. Do not drop electrical machines into water. Please note additional hints given in the Instruction Manual.

10. TECHNICAL SPECIFICATIONS

ELECTRICAL ANGLE GRINDER:	
Current supply	230V/50Hz
Rated power requirement	1 200W
Load speed	4 000 – 12 000 rpm
Protection class	II
Disc diameter	Ø 125mm
Joining treath	M14
Mains cabel	1.8M
Vibration	ah.D1 = 9.21 ms ⁻² , K = 1.5 ms ⁻²
Level of acoustic pressure	89 dB, K = 3dB
Level of acoustic power	100 dB, K = 3dB

Instructions Manual - language version only.

Amendments to text and technical parameters are reserved.

Changes in the text, design and technical specifications may change without prior notice and we reserve the right to make these changes. keep it from turning as the drill bit rotates.

Troubleshooting

Suspected malfunctions are often due to causes the user can fix themselves. Therefore check the product using this section .In most cases the problem can be solved quickly .

WARNING!

Only perform the steps described within these instructions! All further inspection ,maintenance and repair work must be performed by an authorized service centre or a similarly qualified specialist if you cannot solve the problem yourself !

Problem	Possible Cause	Solution
1. Product does not start	1.1 Not connected to power supply 1.2 Power cord or plug is defective 1.3 Other electrical defect to the product	1.1 Connect to power supply 1.2 Check by a specialist electrician 1.3 Check by a specialist electrician
2. Product does not reach full power	2.1 Extension cord is not suitable for operation with this product . 2.2 Power source (e.g. generator) has too low voltage 2.3 Air vents are blocked	2.1 Use a proper extension cord 2.2 Connect to another power source 2.3 Clean the air vents
3. Unsatisfactory result	3.1 Disk bit is dull/damaged 3.2 Disk bit is not suitable for work piece material	3.1 Replace with new one 3.2 Use proper disk bit
4. Excessive vibration or noise	4.1 Disk bit is dull/damaged 4.2 Bolts /nuts are loose	4.1 Replace with a new one 4.2 Tighten bolts/nuts

11. DISPOSAL

The machine and its accessories are made of various materials, e.g. of metal and plastics. Hand-over damaged components to sorted waste. Get yourselves informed at a respective authority.

INSTRUCTIONS AND INFORMATION ON DISPOSAL OF USED PACKAGING.

Put any used package material to the place determined by the municipality for waste disposal.

DISPOSAL OF USED ELECTRIC AND ELECTRONIC EQUIPMENT



This symbol on products or accompanying documents means that used electric or electronic products must not be put to ordinary municipal waste. Hand over such products to determined collection points for proper disposal, restoration and recycling. Alternatively, in some countries of the European Union or other European countries you can return your products to your local dealer when you buy an equivalent new product. By dutiful disposal of this product you can preserve precious natural resources and you help prevent any potential adverse effects on the environment and human health which could be the results of wrong waste disposal. Ask your local authority or the nearest collection point for additional details. In case of improper disposal of this waste kind penalties can be imposed in accordance with national regulations.

For companies in the European Union countries

Should you want to dispose of electric and electronic devices, ask your dealer or vendor for necessary information. Disposal in other countries outside the European Union. Should you want to dispose of this product, ask your local authorities or your dealer for necessary information about disposal method.



This product fulfils all basic requirements of the EU directives that apply to it.

Text, design and technical specifications can change without prior notice and we reserve the right for their change.

EU DECLARATION OF CONFORMITY

Product / brand: Angle Grinder / **FIELDMANN**

Type / model: **FDB 201201-E** as factory model S1M-KZ35-125G-T
AC 230 V, 50Hz, 1200W, speed 4000-12000/m⁻¹, diameter 125 mm,
Class II, IP20
L_{PA} = 89dB(A), L_{WA} = 100dB(A)

Manufacturer: FAST ČR, a.s.
Černokostecká 2111, 100 00 Praha 10, Czech Republic
VAT no: CZ26726548

The product is inline with directives and regulations listed below:

Directive MD 2006/42/EC
Directive EMC 2014/30/EU
Directive RoHS 2011/65/EU

and norms:

EN 60745-1:2009+A11
EN 60745-2-3:2011+A2+A11+A12+A13
EN 55014-1:2017
EN 55014-2:2015
EN 63000-2-2:2014
EN 63000-2-3:2013



Place of issuance: Prague

Name: Ing. Zdeněk Pech
Chairman of the Board

Date of issuance: 15. 6. 2020

Signature:

FAST® FAST ČR, a.s. 
Černokostecká 1621, 251 01 Říčany
IČO: 26726548 tel.: +420/ 323 204 111
DIČ: CZ26726548 fax: +420/ 323 204 110