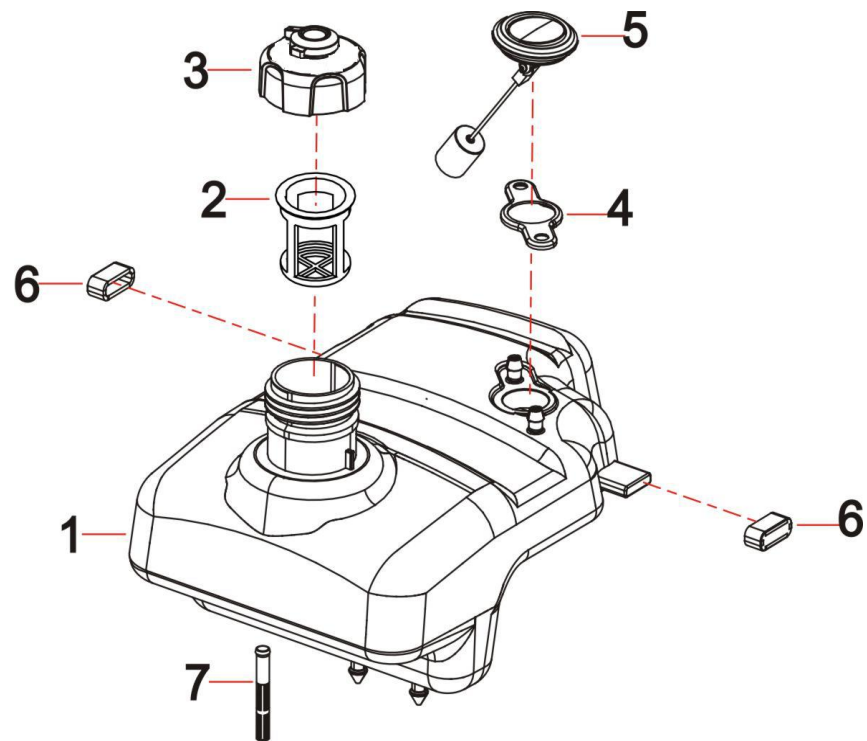


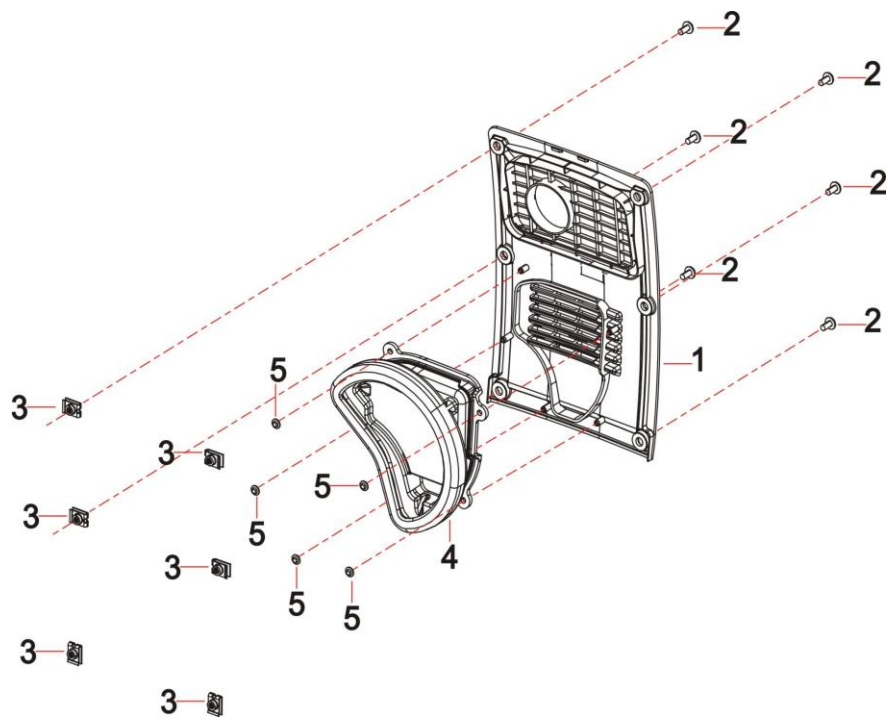
PART 1.

No.	ID Zboží	Název
1-1	G80IMF00WG002	ENGINE GK80I
1-2	G9011G0101040	SCREW
1-3	G3210G1301000	CAP
1-4	G3245G1301000	SILENCER SIDE COVER
1-5	G9068G1305000	TUBE, FUEL
1-6	G900106012010	BOLT



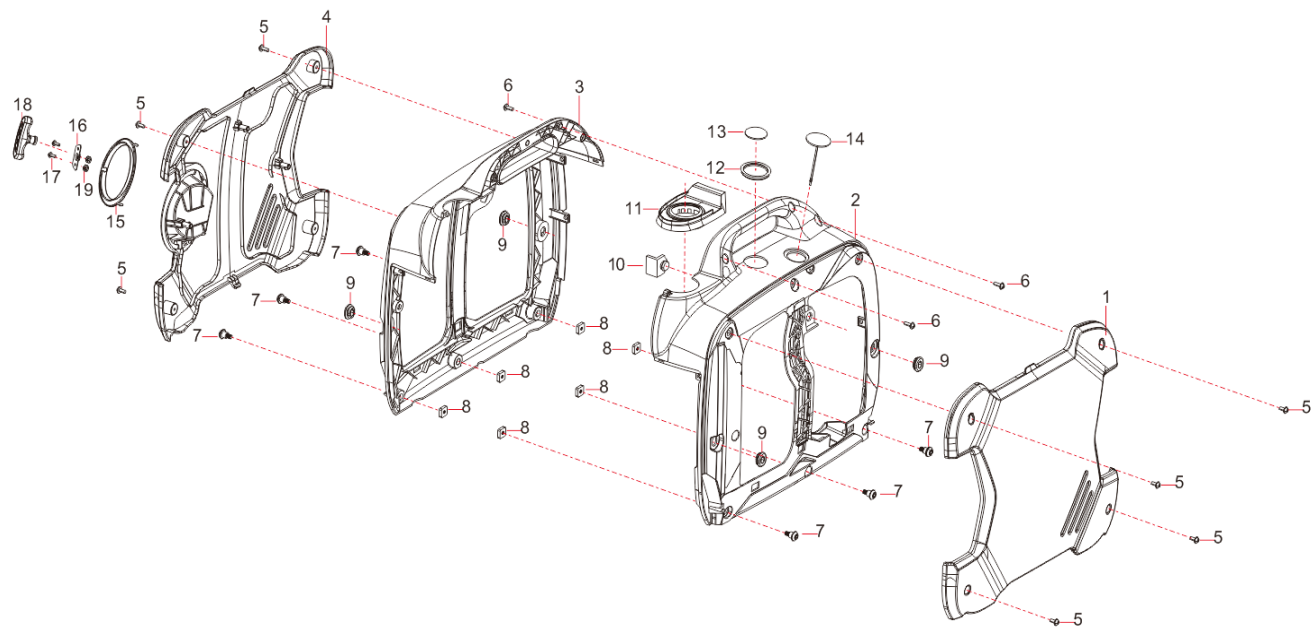
PART 2.

No.	ID Zboží	Název
2-1	G1679G1301000	TANK, FUEL
2-2	G1696G1301000	FUEL FILTER
2-3	G1685G1301000	COVER, FUEL TANK
2-4	G3640G1301010	PRESSING PLATE
2-5	G3601G1301000	FUEL GAUGE
2-6	G9069G1301000	BUSH
2-7	G3214G1301000	FILTER ELEMENT



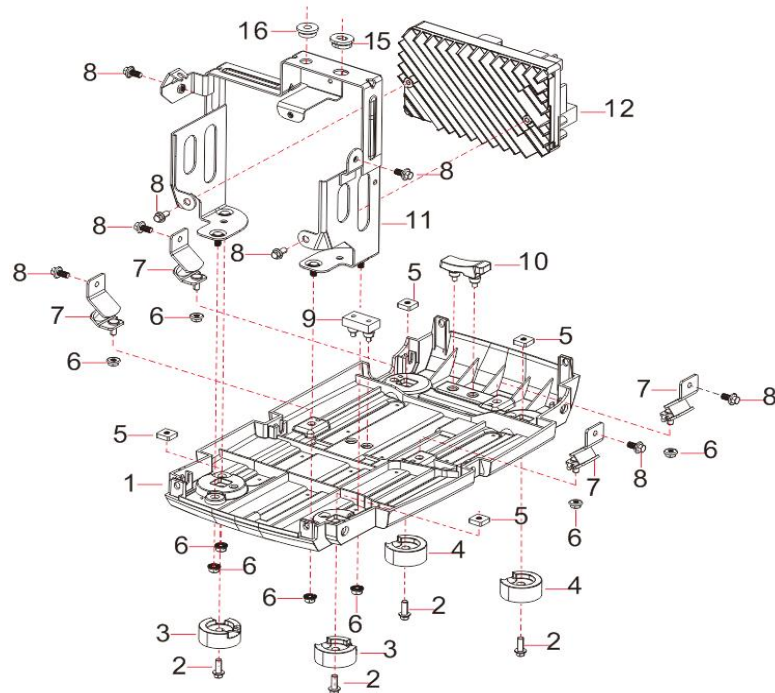
PART 3.

No.	ID Zboží	Název
3-1	G3254G1301000	SILENCER SIDE COVER
3-2	G9101G1304000	NON-STANDARD BOLT
3-3	G9014G1301010	CLIP NUT
3-4	G3261G1301000	JOINT SHOCK ABSORBER SLEEVE
3-5	G3262G1301000	SPRING SNAP RING



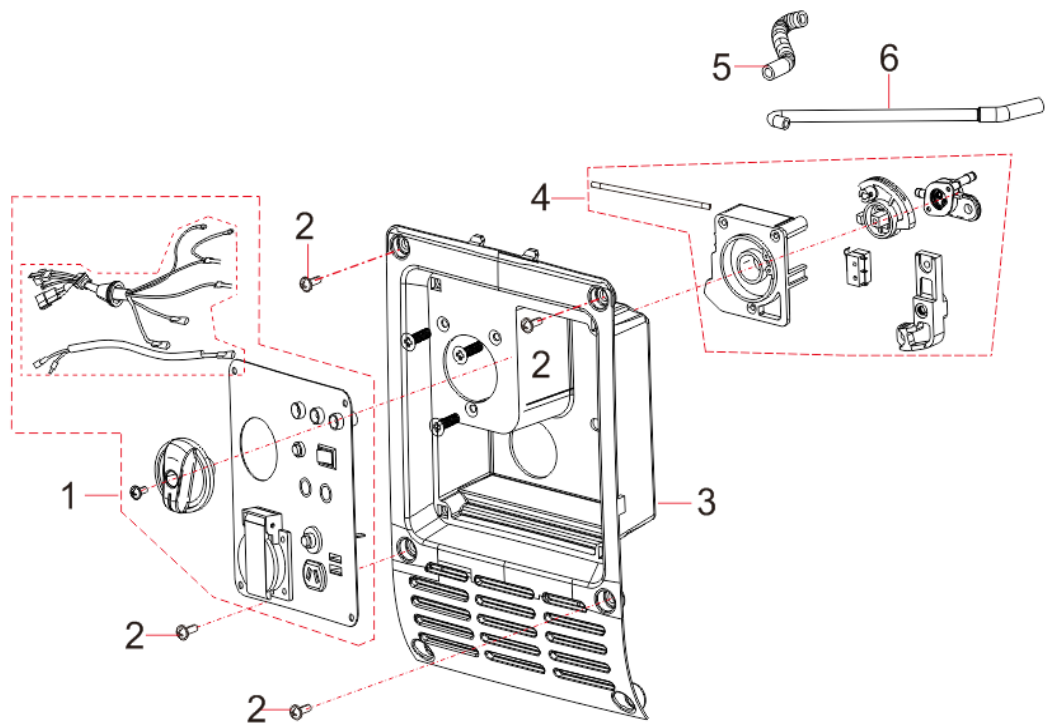
PART 4.

No.	ID Zboží	Název
4-1	G3246G1301000	RIGHT EXTERIOR COVER
4-2	G3234G1301000	RIGHT SHELL
4-3	G3229G1301000	LEFT SHELL
4-4	80092-Y2V0110	LEFT EXTERIOR COVER
4-5	G9101G1304000	NON-STANDARD BOLT
4-6	G900905016040	CROSS GROOVED DISC HEAD SCREW
4-7	G9101G1301000	NON-STANDARD BOLT
4-8	G9013G1301010	SQUARE NUT
4-9	G3001G1302000	FUEL TANK SUPPORT RUBBER SLEEVE
4-10	G3239G1301000	BUFFER CUSHION FOR ENGINE UPPER SUSPENSION
4-11	G3215G1301000	OIL INJECTION NOZZLE RUBBER SLEEVE
4-12	G3043G1301000	RUBBER SHEATH
4-13	G3253G1301000	OIL-MARKED GLASS WINDOW
4-14	G3043G1302000	RUBBER SHEATH
4-15	G3245G1301000	LEFT TRIM PANEL
4-16	G3202G1301000	STARTING ROPE GUIDE PLATE
4-17	G900904012010	CROSS GROOVED DISC HEAD SCREW
4-18	G3208G1301000	STARTING ROPE HANDLE
4-19	G900404000010	HEXAGON FLANGE NUTS



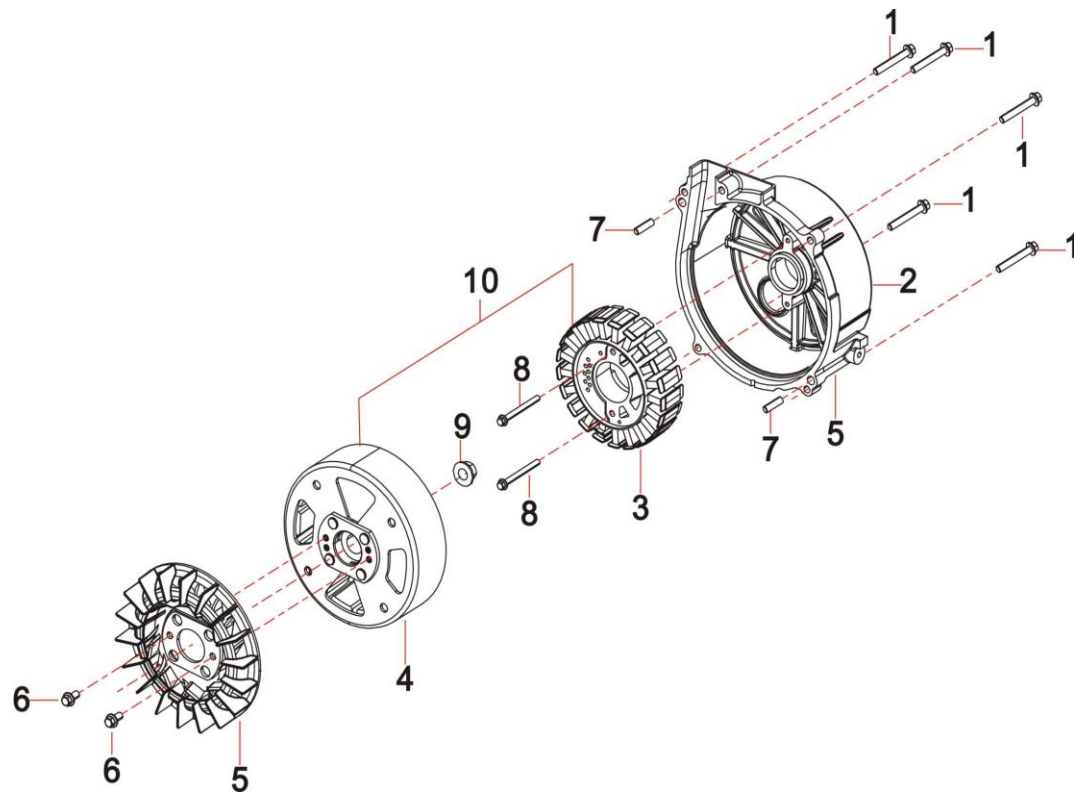
PART 5.

No.	ID Zboží	Název
5-1	G3227G1301000	BASEPLATE
5-2	G900106014010	BOLT
5-3	G3613G1301000	SEAT,FRAME
5-4	G3613G1302000	SEAT,FRAME
5-5	G9013G1301010	NUT
5-6	G900406000010	NUT
5-7	G3610G1301000	SEAT,FRAME
5-8	G900106012010	BOLT
5-9	G3228G1302000	BUFFER CUSHION SUPPORT
5-10	G3228G1301000	BUFFER CUSHION SUPPORT
5-11	G3216G1301000	INVERTER MOUNTING FRAME
5-12	G3305G1301000	INVERTER
5-15	G3001G1302000	SLEEVE, FUEL TANK RUBBER
5-16	G3001G1301000	SLEEVE, FUEL TANK RUBBER



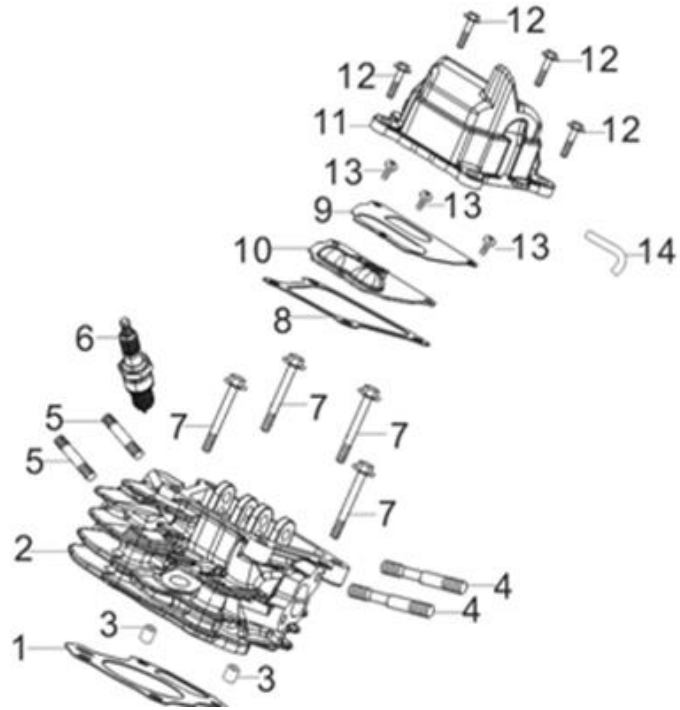
PART 6.

No.	ID Zboží	Název
6-1	G3570G1303H20	CONTROL PANEL .ASSY
6-2	G901505012040	CROSS GROOVED SMALL DISC HEAD SCREW & FLAT WASHER
6-3	G3590G1301000	PANEL HOLDER
6-4	G1521G1301000	SWITCH ASSY
6-5	G9068G1301000	TUBE, FUEL
6-6	G9068G1302000	TUBE, FUEL



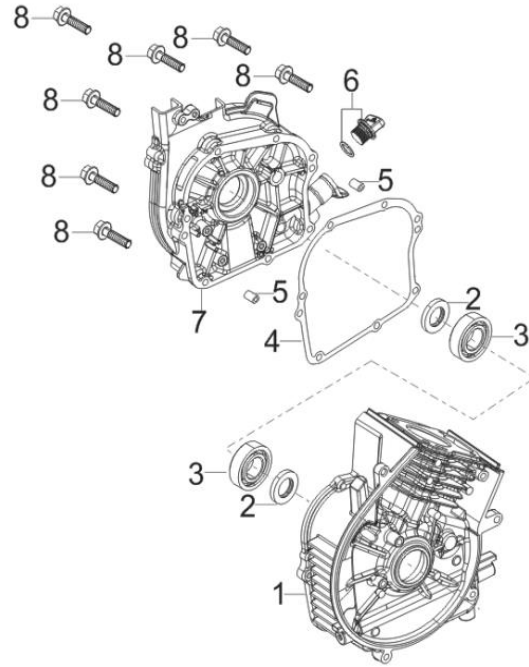
PART 7.

No.	ID Zboží	Název
7-1	G900106030010	BOLT
7-2	G3304G1301000	SHROUD, MOTOR
7-3	G3142G1301000	STATOR COMP.
7-4	G3141G1301000	ROTOR COMP
7-5	G1935G1301000	IMPELLER
7-6	G900106010010	BOLT
7-7	G905108012000	PIN
7-8	G900106030010	BOLT
7-9	G900412000010	NUT
7-10	G3140G1301000	MOTOR ASSY



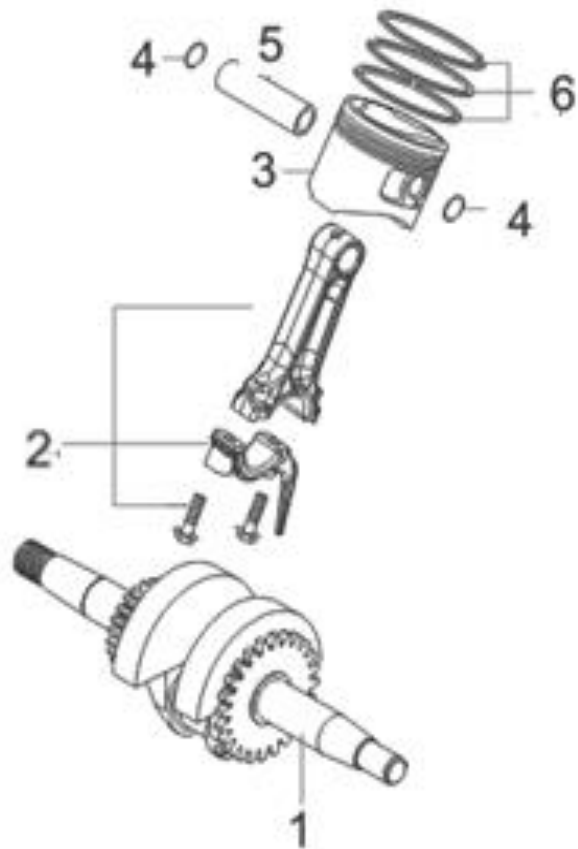
1. CYLINDER HEAD

No.	ID Zboží	Název
1-1	G1230E2201000	GASKET, CYLINDER HEAD
1-2	G1214E2201000	HEAD SUBASSEMBLY, CYLINDER
1-3	G905108012000	PIN
1-4	G9103E2201010	STUD
1-5	G9103E2202010	STUD
1-6	G1567E2201000	PLUG, SPARK
1-7	G9109E2201010	BOLT, CYLINDER HEAD
1-8	G1204E2201000	GASKET, CYLINDER HEAD COVER
1-9	G1136E2201000	PIECE, BREATH
1-10	G1134E2201000	GASKET, BREATH GROOVE
1-11	G1241E2201000	COVER SUBASSEMBLY, CYLINDER HEAD
1-12	G900106016010	BOLT
1-13	G900908008010	SCREW
1-14	G1703E2201000	TUBE, BREATHER



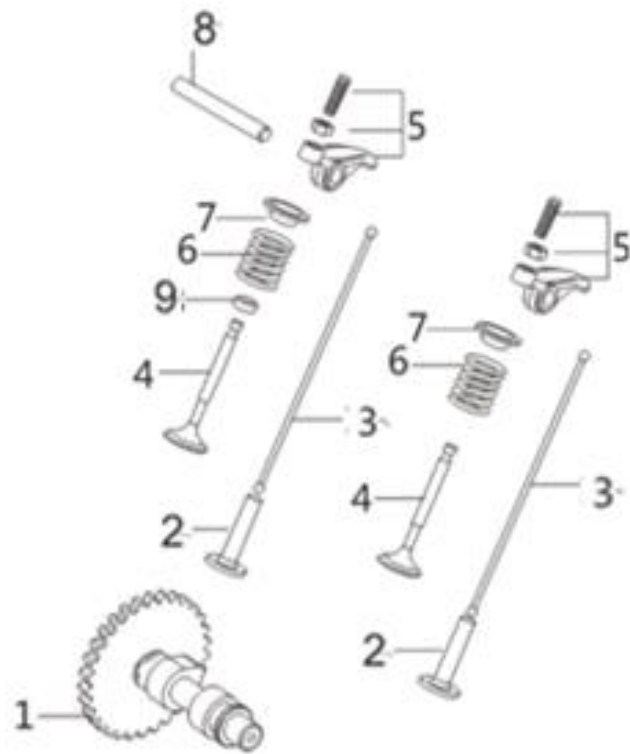
2. CRANK CASE

No.	ID Zboží	Název
2-1	G1131E2201120	CRANKCASE SUBASSEMBLY.
2-2	G9065E2201000	OIL-SEAL
2-3	G905462046000	BEARING
2-4	G1101E2201000	GASKET, CRANKCASE
2-5	G905108012000	PIN
2-6	G1503E2201130	PLUG SUBASSEMBLY, ENGINE OIL
2-7	G1141E2201120	COVER, CRANKCASE
2-8	G900106020010	BOLT



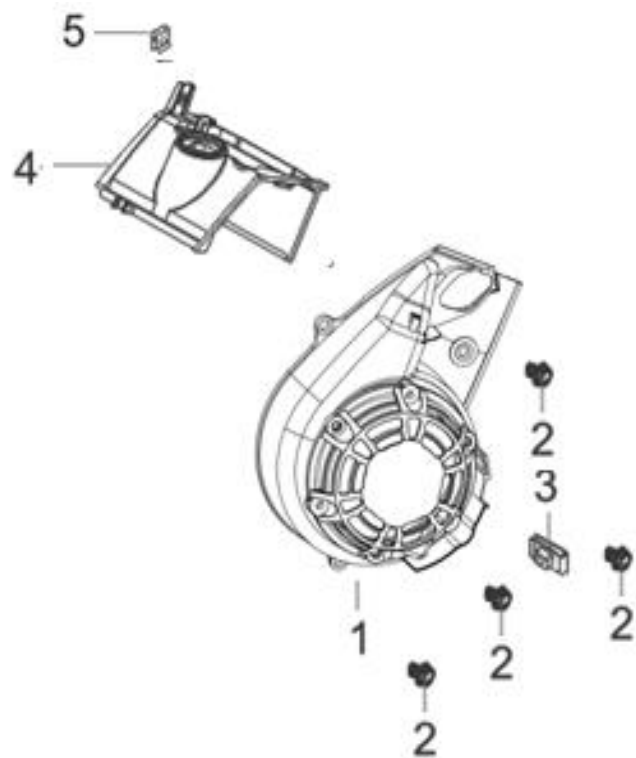
3. CRANKSHAFT/PISTON

No.	ID Zboží	Název
3-1	G1330E2201000	CRANKSHAFT ASSY.
3-2	G1301E2201000	ROD, CONNECTING
3-3	G1311E2201000	PISTON
3-4	G1313E2201000	CLIP, PISTON PIN
3-5	G1312E2201000	PIN, PISTON
3-6	G1320E2201000	RING ASSY, PISTON



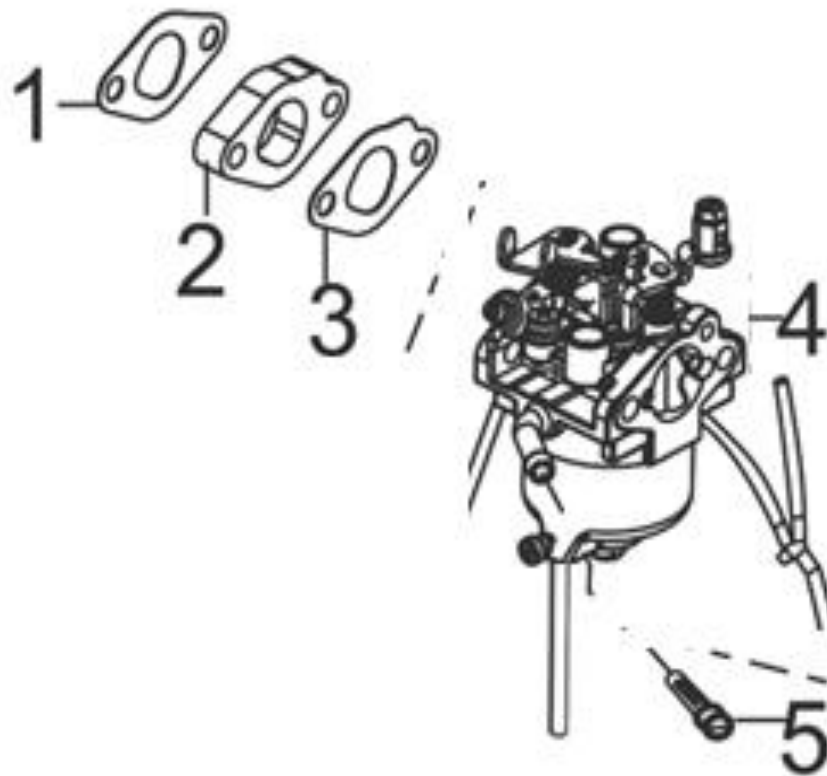
4. TRAIN, VELVE, CAMSHAFT

No.	ID Zboží	Název
4-1	G1420E2201000	CAMSHAFT ASSY.
4-2	G1481E2201000	TAPPET, VALVE
4-3	G1470E2201000	LIFTER, VALVE
4-4	G1220E2201000	VALVE SET
4-5	G1430E2201000	ROCKER SUBASSEMBLY, VALVE
4-6	G1213E2201000	SPRING, VALVE
4-7	G1212E2201000	SEAT, VALVE SPRING
4-8	G1432E2201000	SHAFT, VALVE ROCKER
4-9	G1211E2201000	GUIDE, SEAL



5. STARTER, RECOIL

No.	ID Zboží	Název
5-1	G2810E2201000	STARTER ASSY, RECOIL
5-2	G900106016010	BOLT
5-3	G9014G1301010	NUT
5-4	G1251E2201000	AIR DEFLECTOR, CYLINDER HEAD
5-5	G9076E2201000	BAYONET LOCK



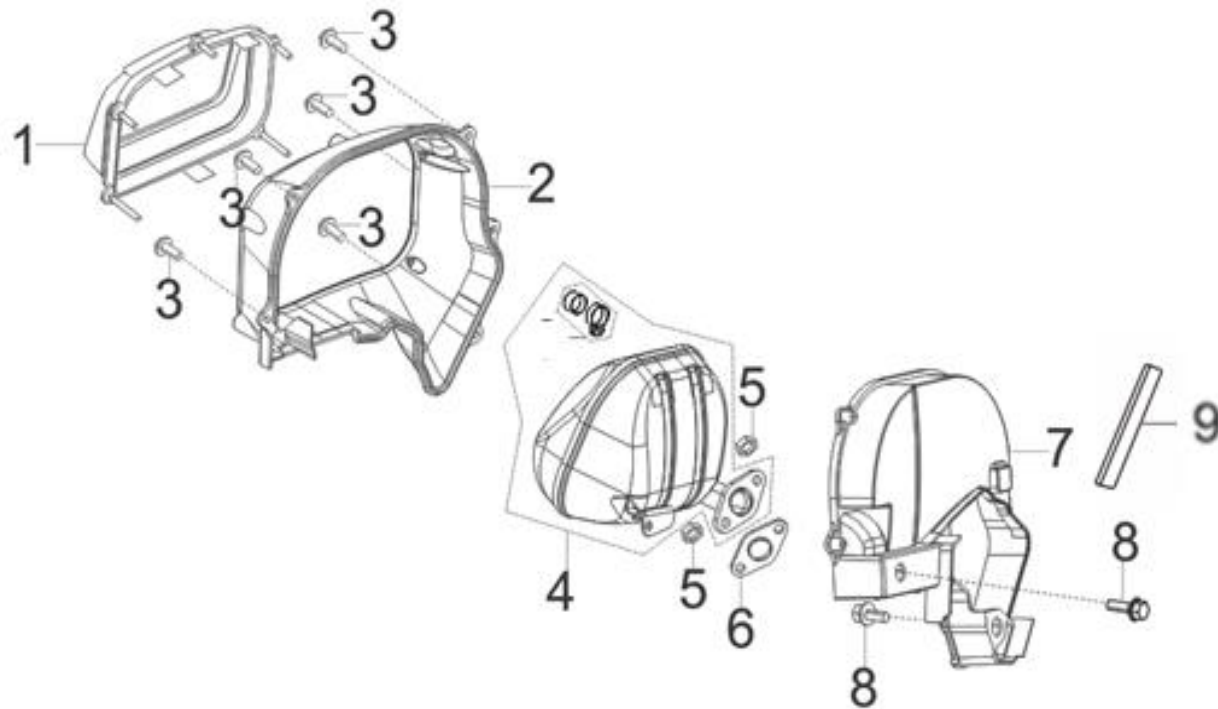
6. CARBURETOR

No.	ID Zboží	Název
6-1	G1702E2201000	GASKET, CARBURETOR
6-2	G1603E2201000	PLATE, CARBURETOR INSULATOR
6-3	G1601E2201000	GASKET, CARBURETOR INSULATOR
6-4	G1610E2201000	CARBURETOR ASSY.
6-5	G1696E2201000	FUEL FILTER

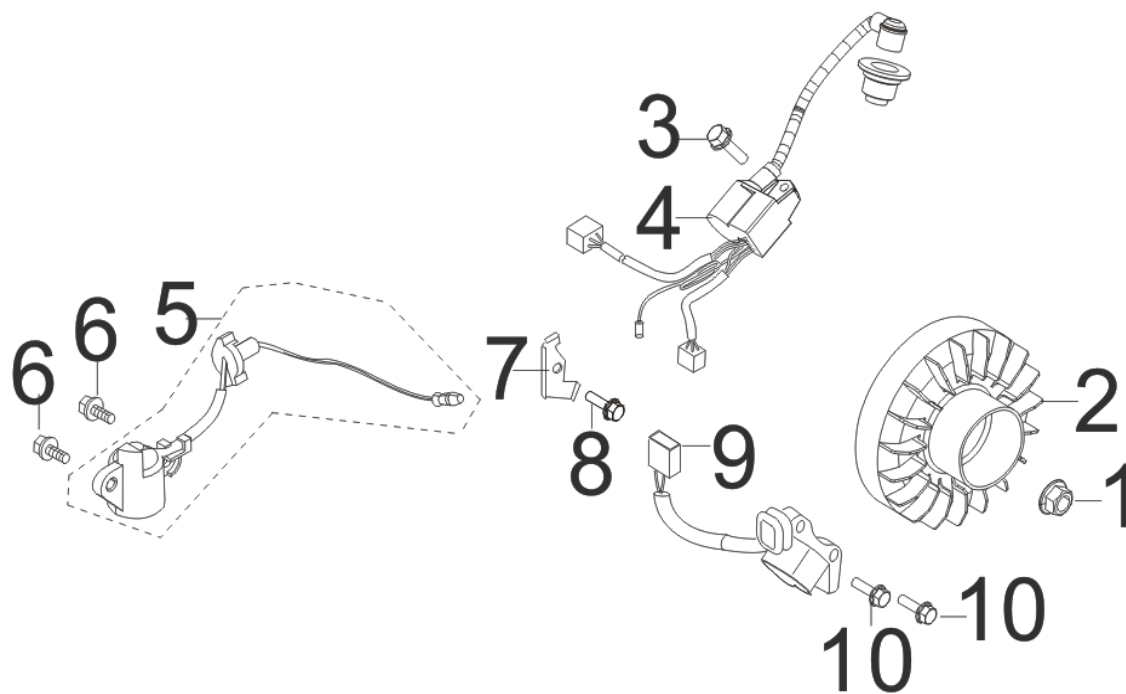


7. CLEANER, AIR

No.	ID Zboží	Název
7-1	G1710E2201000	CLEANER, AIR
7-2	G1701E2201000	GASKET, AIR CLEANER
7-3	G900406000011	NUT
7-4	G900205020010	BOLT
7-5	G900106020010	BOLT



8. MUFFLER		
No.	ID Zboží	Název
8-1	G3254E2201000	COVER, MUFFLER SIDE
8-2	G1825E2201000	SHROUD, MUFFLER
8-3	G901648016010	SCREW, CROSS GROOVE PAN
8-4	G1810E2201000	MUFFLER ASSY.
8-5	G900506000010	Nut
8-6	G1801E2201000	GASKET, EXHAUST OUTLET
8-7	G1819E2201000	MUFFLER SHIELD
8-8	G900106016010	BOLT
8-9	G1826E2201000	COVER, GASKET



9. FLYWHEEL/COIL ASSY

No.	ID Zboží	Název
9-1	G910212000010	NUT, FLYWHEEL
9-2	G1351E2201000	FLYWHEEL SUBASSEMBLY
9-3	G900106020010	BOLT
9-4	G1509E2202000	IGNITOR
9-5	G1536E2201000	SENSOR, ENGINE OIL
9-6	G900106012010	BOLT
9-7	G3306E2201000	CLAMP
9-8	G900106012010	BOLT
9-9	G1506E2201000	COIL, IGNITION
9-10	G900106020010	BOLT