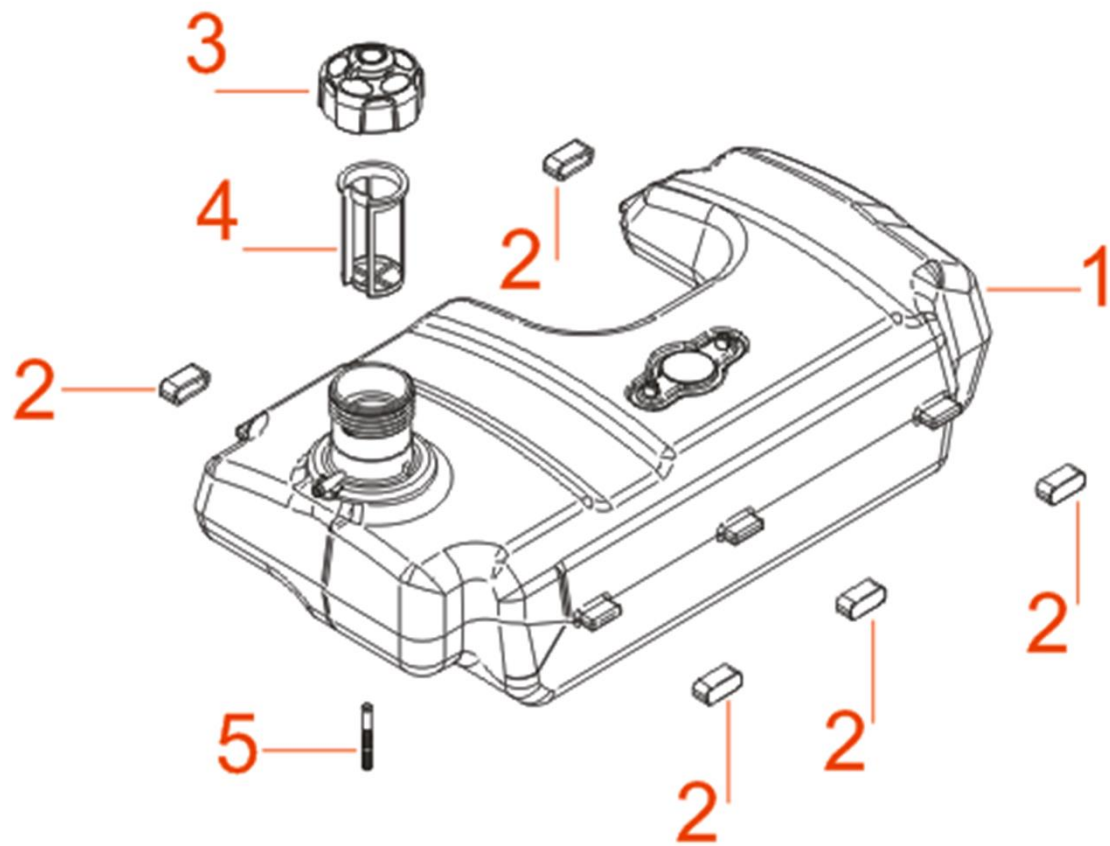


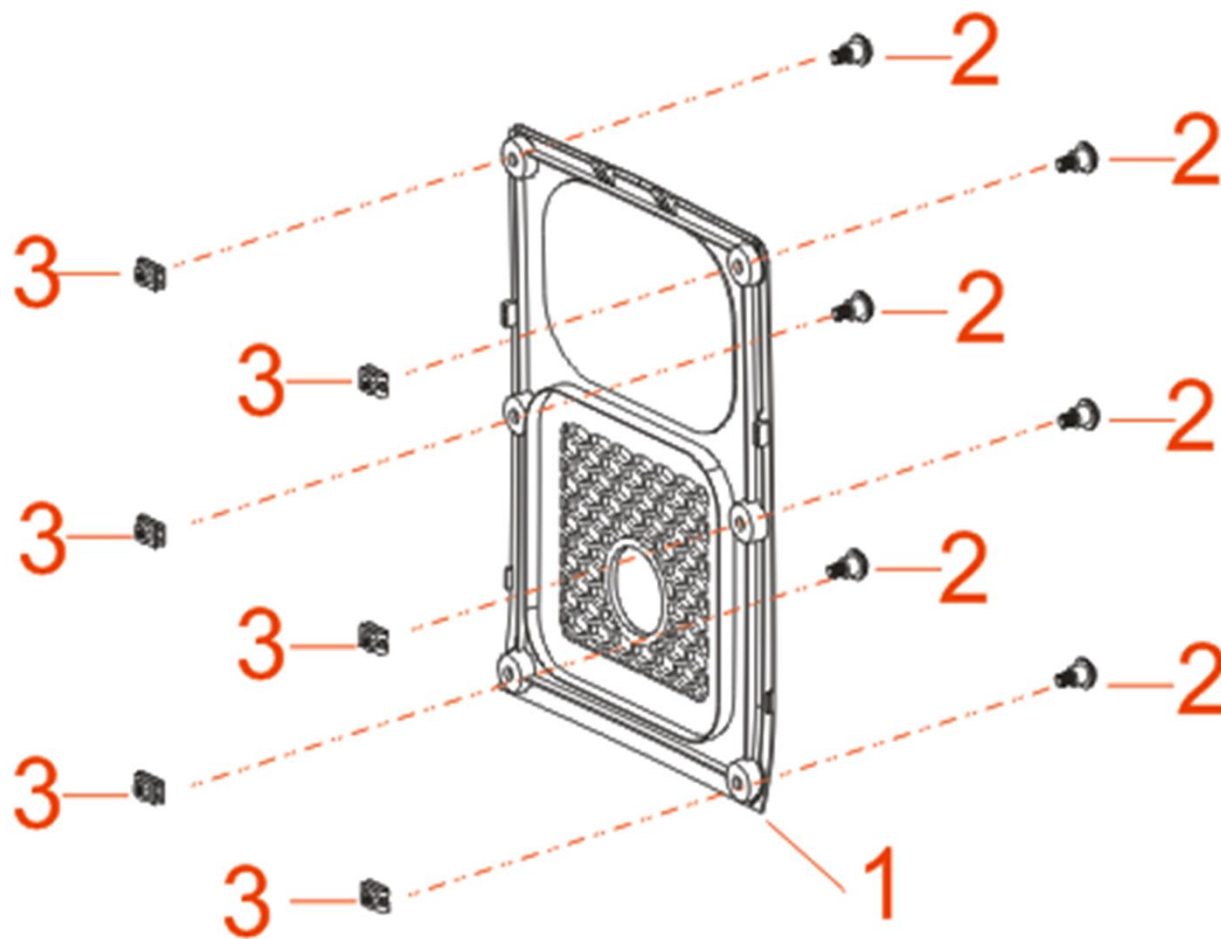
No.	ID Zboží	Název
1-1	G160IMFVJS001	ENGINE

FIG.2 TANK, FUEL (F01)



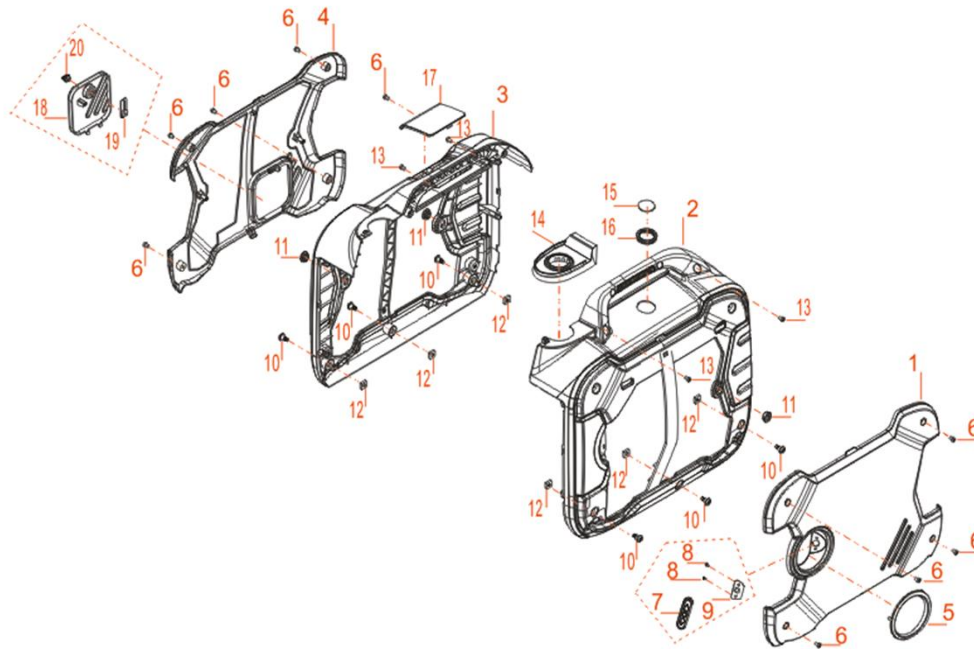
No.	ID Zboží	Název
2-1	G1679G3101000	TANK, FUEL
2-2	G9069G1301000	bushing
2-3	G1685G1301000	Fuel tank cap
2-4	G1696G1301000	filter
2-5	G3214G1301000	The filter cartridge

FIG.3 Muffler side cover (F61)



No.	ID Zboží	Název
3-1	G3254G3101000	muffler side cover
3-2	G9101G1304000	bolts
3-3	G9014G1301010	clip nut

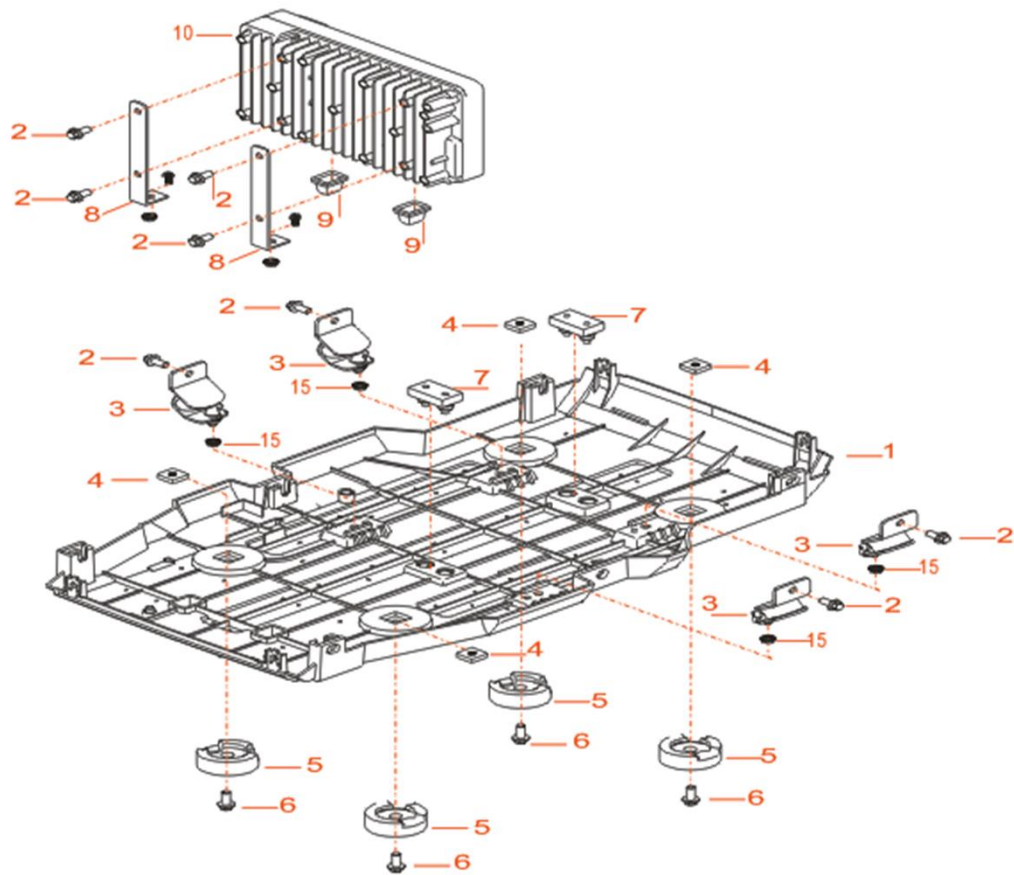
FIG.4 Decorative plate (F61)



No.	ID Zboží	Název
4-1	G3246G3101110	Right exterior cover
4-2	G3234G3101000	right housing
4-3	G3229G3101000	left housing
4-4	G3240G3101110	Left exterior cover
4-5	G3245G1301000	Left trim panel
4-6	G900905016040	Cross recessed pan head screws
4-7	G3208G1301000	starter cord handle
4-8	G900904012010	Cross recessed pan head screws
4-9	G3202G1301000	starter rope guide
4-10	G9101G1301000	Non-standard bolts

No.	ID Zboží	Název
4-11	G3001G1302000	Fuel tank support sleeve
4-12	G9013G1301010	square nut
4-13	G9101G1304000	Non-standard bolts
4-14	G3215G1301000	Oil filler cap
4-15	G3253G1301000	Oil standard glass window
4-16	G3043G1301000	rubber sheath
4-17	G1142G3101000	cover_upper cover
4-18	G1142G3102110	Cover_Maintenance Cover
4-19	G3627G1403000	Limit block
4-20	G3575G1401000	knob

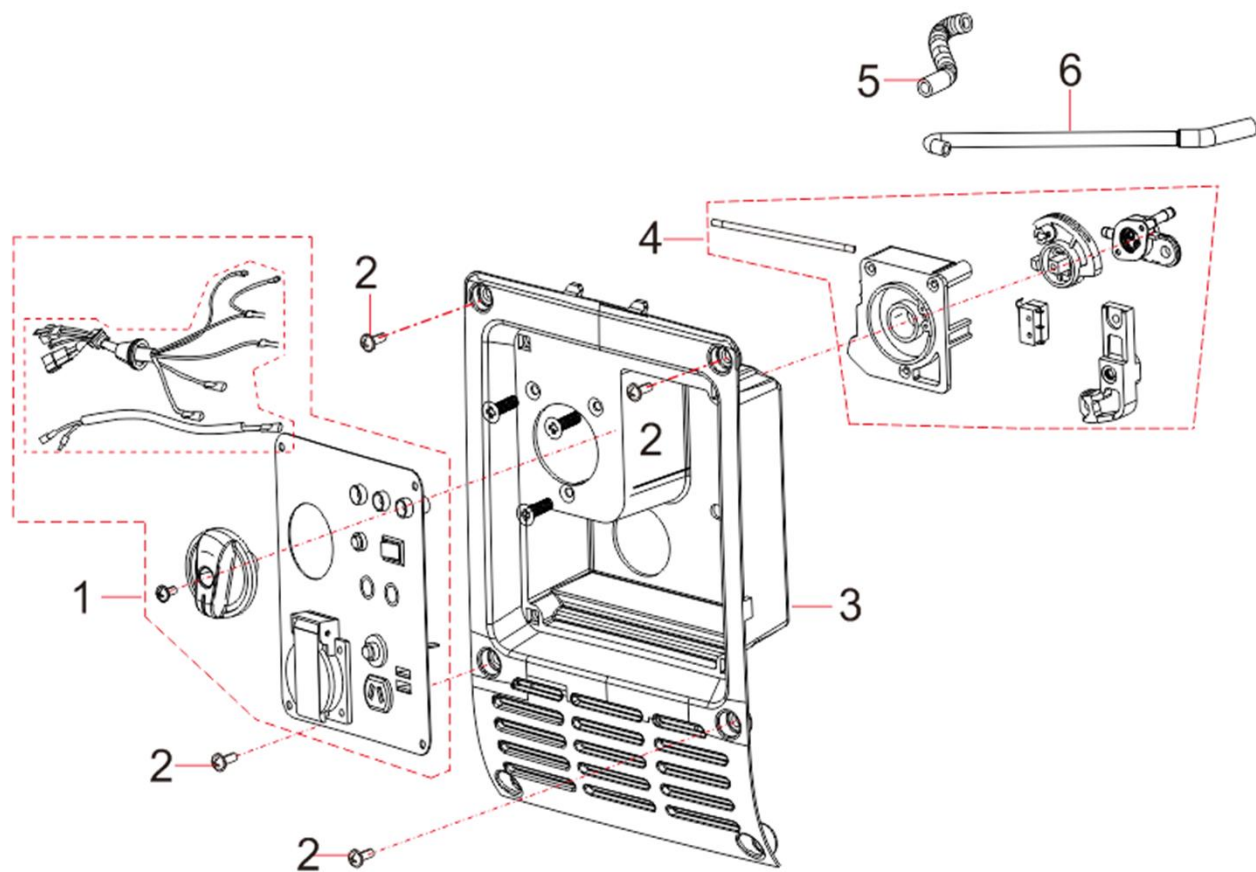
FIG.5 Base plate, inverter, inverter mounting bracket (F61)



No.	ID Zboží	Název
5-1	G3227G3101000	Bottom plate
5-2	G900106012010	Standard Hex Flange Bolts
5-3	G3610G3101000	Rack shock pad
5-4	G9013G1301010	square nut
5-5	G3613G3101000	Rack shock mount
5-6	G900106016010	Standard Hex Flange Bolts

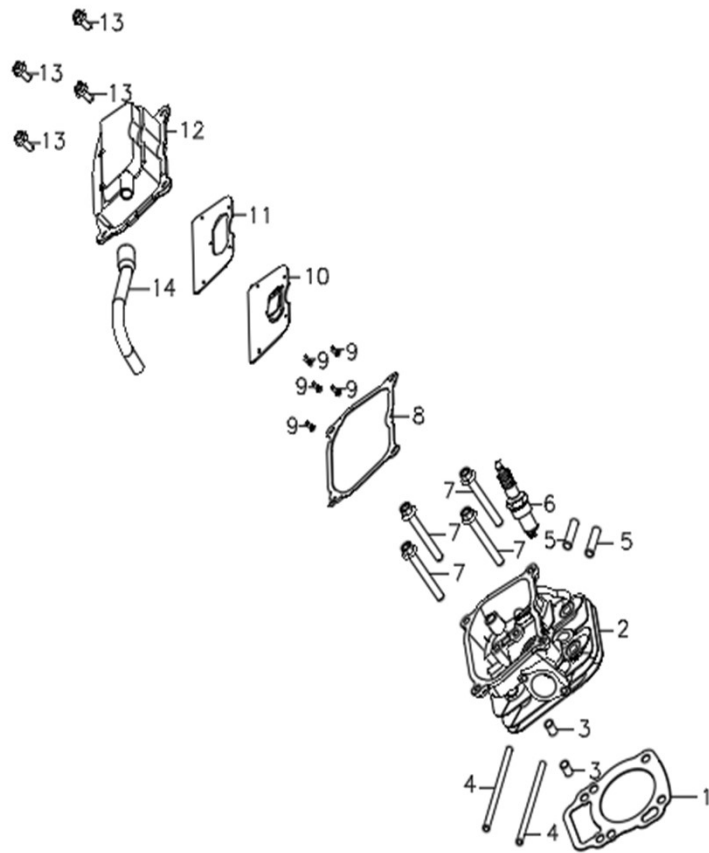
No.	ID Zboží	Název
5-7	G3228G1302000	Buffer pad support
5-8	G3216G3101000	Inverter Mounting Bracket
5-9	G3043G1401000	rubber sheath
5-10	G3305G3103000	Inverter
5-15	G900406000010	Hexagon flange face nuts

FIG.6 Control Panel Assembly, Panel Holder (F62)



No.	ID Zboží	Název
6-1	G3570G3103H20	control panel combination
6-2	G901505012040	Cross recessed pan head screw
6-3	G3590G1301000	Panel holder
6-4	G1521G1301000	switch assembly
6-5	G9068G1301000	tubing
6-6	G9068G1302000	tubing

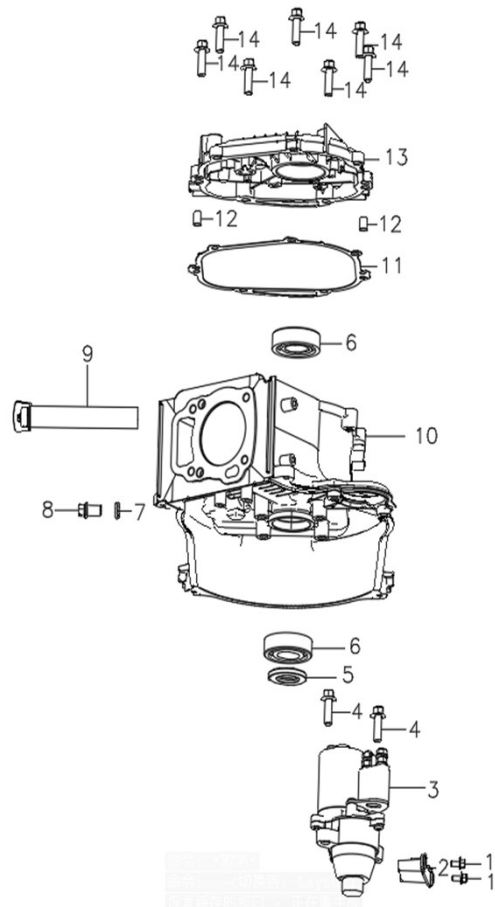
FIG.1 HEAD SUBASSEMBLY, CYLINDER / PLUG,SPARK



No.	ID Zboží	Název
1-1	G1230E3001000	GASKET, CYLINDER HEAD
1-2	G1214E3001000	HEAD SUBASSEMBLY, CYLINDER
1-3	G905108012000	PIN
1-4	G900306123010	STUD
1-5	G910308034010	STUD
1-6	G1567E0103000	PLUG, SPARK
1-7	G910108055010	BOLT, CYLINDER HEAD

No.	ID Zboží	Název
1-8	G1204E3001000	GASKET, CYLINDER HEAD COVER
1-9	G900908008010	SCREW
1-10	G1135E3001000	PIECE, BREATH
1-11	G1134E3001000	GASKET, BREATH GROOVE
1-12	G1241E3001000	COVER SUBASSEMBLY, CYLINDER HEAD
1-13	G900106016010	BOLT
1-14	G1703E3001000	TUBE, BREATHER

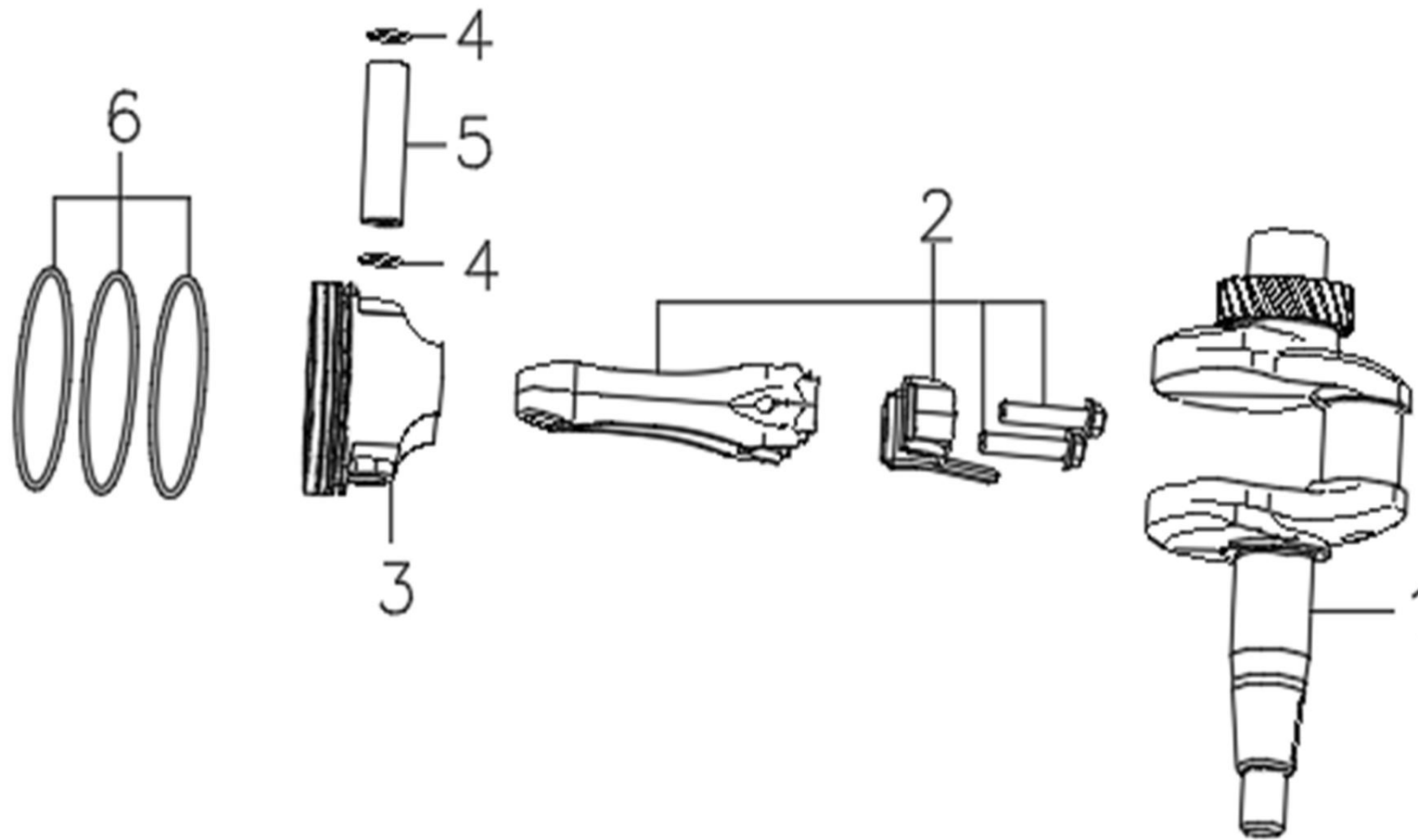
FIG.2 CRANKCASE./COVER SUBASSEMBLY, CRANKCASE



No.	ID Zboží	Název
2-1		BOLT
2-2	G1142E3001000	
2-3	G1580E3001000	
2-4		BOLT
2-5	G9065E0101000	OIL-SEAL
2-6	G90546205TM50	BEARING
2-7	G9041E0101000	

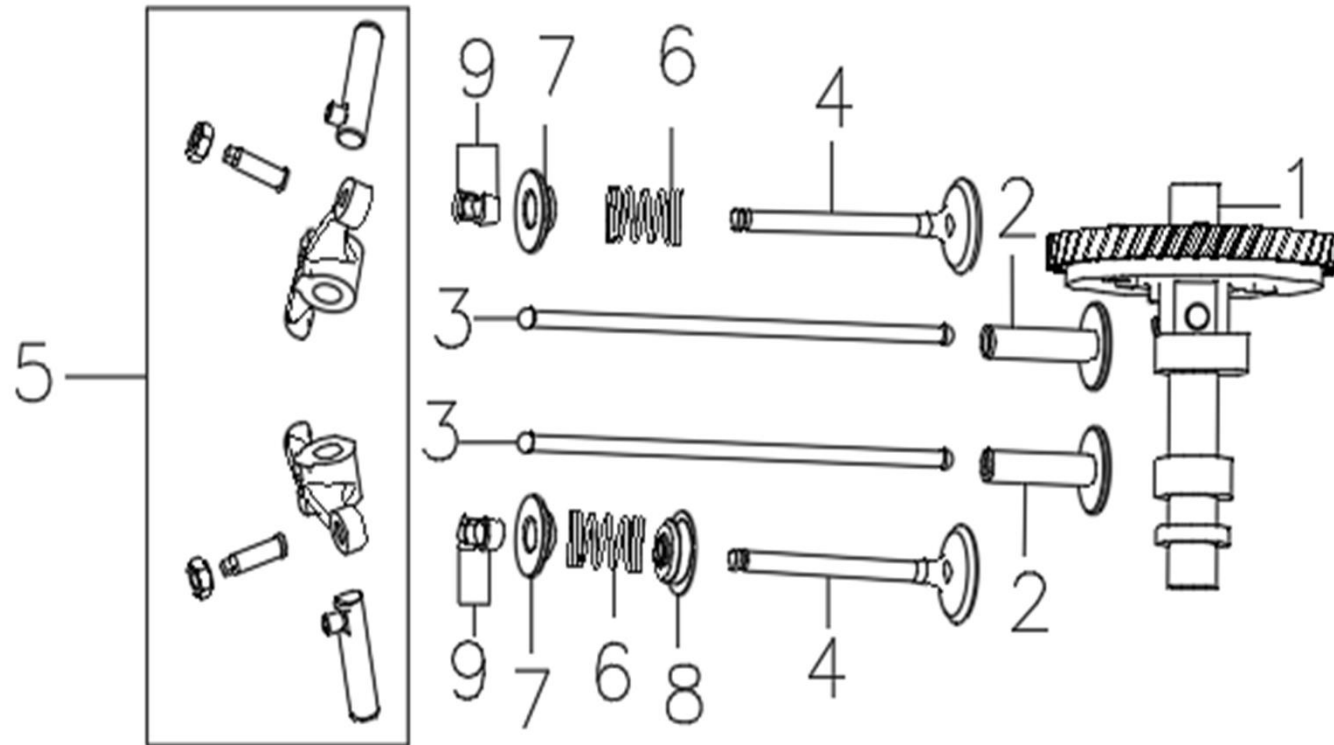
No.	ID Zboží	Název
2-8	G9063E2101000	
2-9	G1501E0101110	PLUG SUBASSEMBLY, ENGINE OIL
2-10	G1131E3001000	CRANKCASE SUBASSEMBLY.
2-11	G1101E3001000	GASKET, CRANKCASE
2-12	G905108012000	PIN
2-13	G1141E3001000	COVER, CRANKCASE
2-14		BOLT

FIG.3 RING SET,OIL / ROD,CRANKSHAFT CONNETING



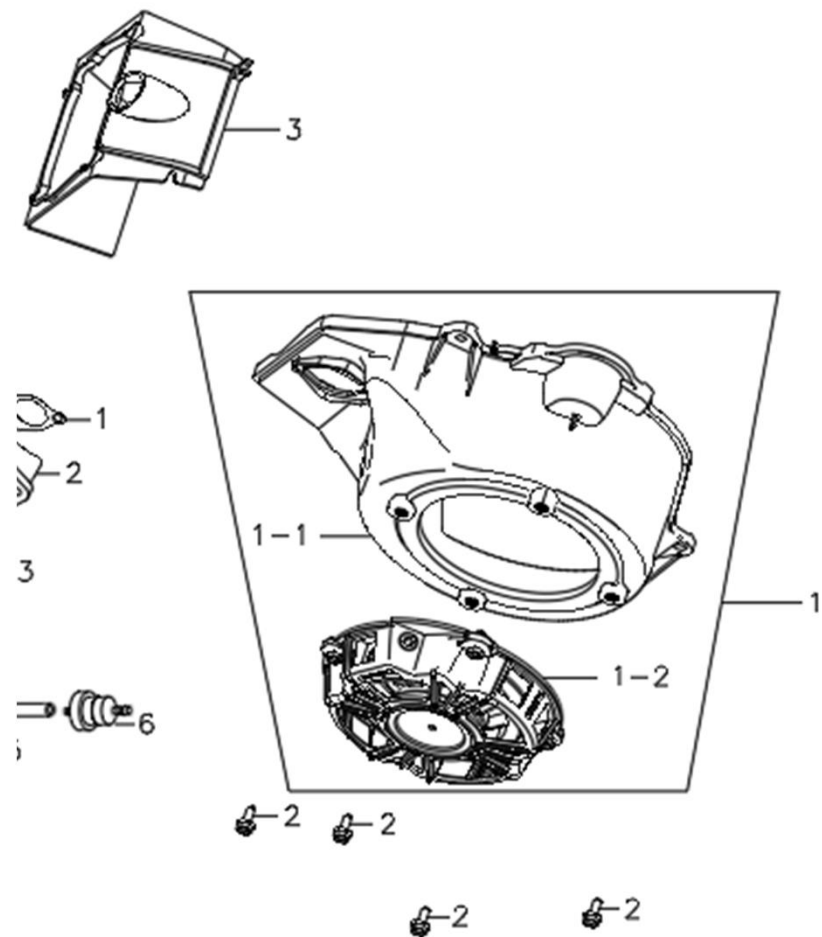
No.	ID Zboží	Název
3-1	G1330E3001000	CRANKSHAFT ASSY.
3-2	G1301E3001000	ROD, CONNECTING
3-3	G1311E3001000	PISTON
3-4	G1313E1001000	CLIP, PISTON PIN
3-5	G1312E1001000	PIN, PISTON
3-6	G1320E3001000	RING ASSY, PISTON

FIG.4 TRAIN,VALVE / CAMSHAFT SUBASSEMBLY



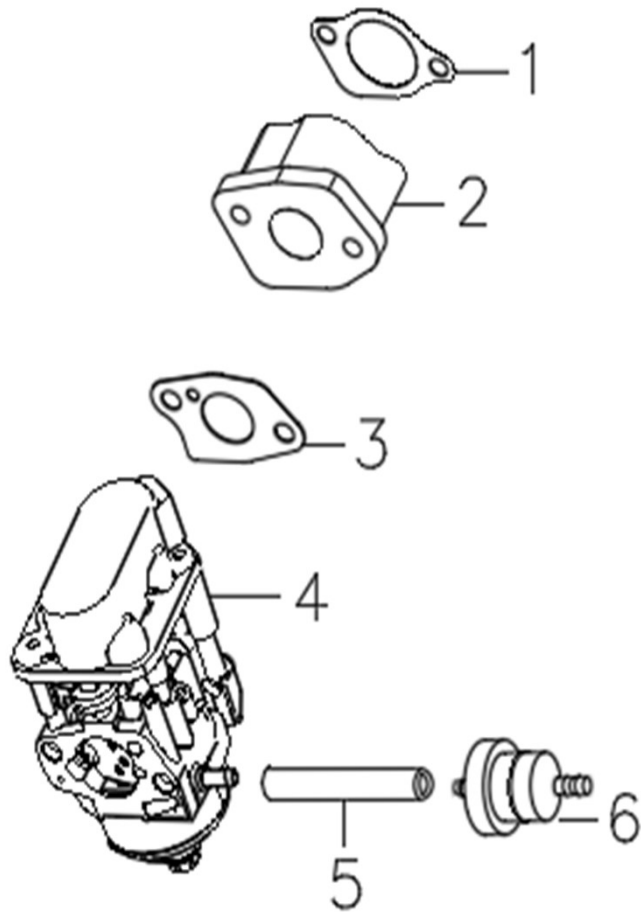
No.	ID Zboží	Název
4-1	G1420E3001000	CAMSHAFT ASSY.
4-2	G1481E3001000	TAPPET, VALVE
4-3	G1470E3001000	LIFTER, VALVE
4-4	G1220E3001000	VALVE SET
4-5	G1430E3001000	ROCKER SUBASSEMBLY, VALVE
4-6	G1213E3001000	SPRING, VALVE
4-7	G1212E2802000	SEAT, VALVE SPRING
4-8	G1211E0101000	GUIDE, SEAL
4-9	G1209E0101000	VALVE LOCK CLAMP

FIG.5STARTER,RECOIL



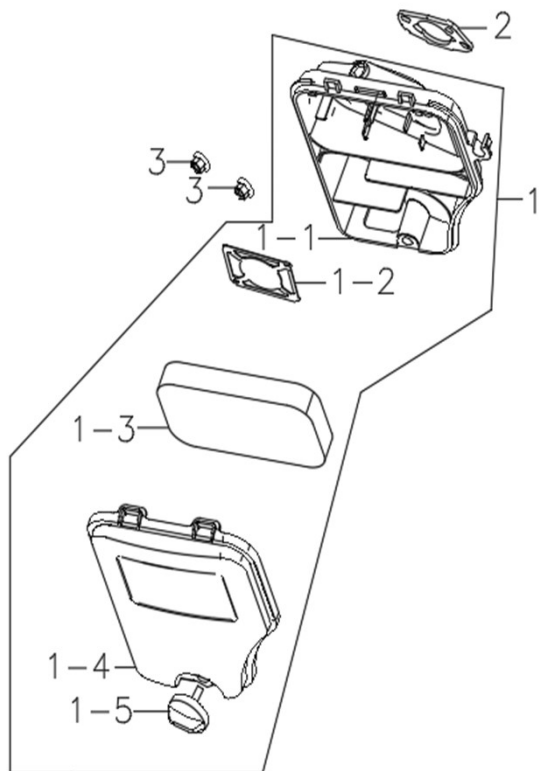
No.	ID Zboží	Název
5-1	G2810E3001000	STARTER ASSY, RECOIL
5-1-1	G2811E3001000	WIND GUIDE HOOD
5-1-2	G2812E3001000	HAND PULLER
5-2	G900106016010	BOLT
5-3	G1930E3001000	AIR DEFLECTOR, CYLINDER HEAD

FIG.6 CARBURETOR ASSY.



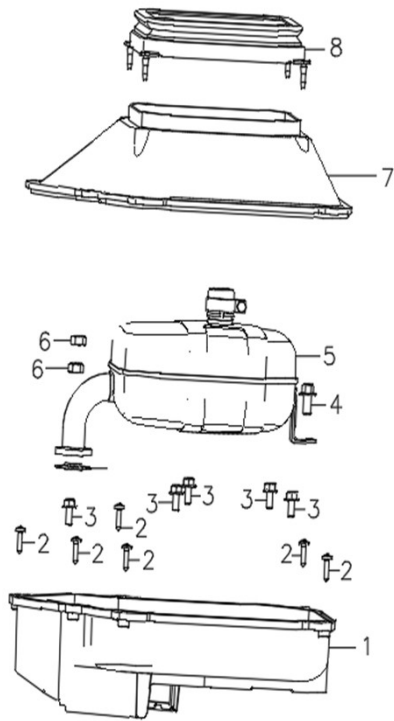
No.	ID Zboží	Název
6-1	G1702E3001000	GASKET, CARBURETOR
6-2	G1603E3001000	PLATE, CARBURETOR INSULATOR
6-3	G1601E0101000	GASKET, CARBURETOR INSULATOR
6-4	G1610E3001030	CARBURETOR ASSY.
6-5	G9068E0104000	OIL PIPE
6-6	G1142E3001000	GASOLINE FILTER

FIG.7 CLEANER, AIR



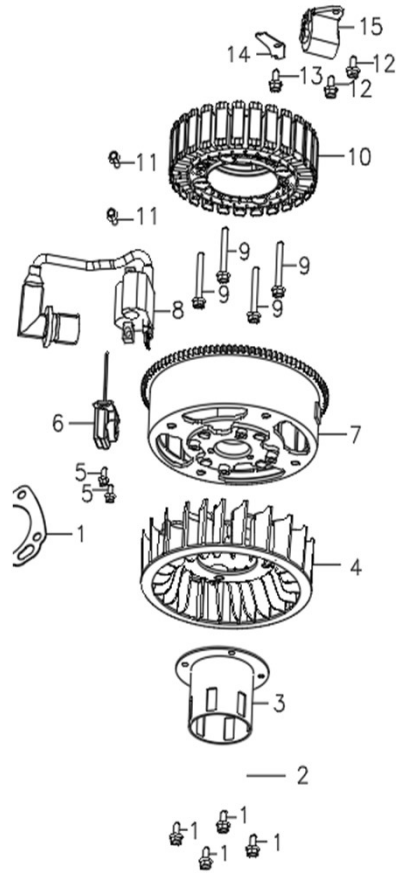
No.	ID Zboží	Název
7-1	G1710E3001000	CLEANER, AIR
7-1-1	G1711E3001000	CLEANER, AIR, SHELL
7-1-2	G1718E3001000	CLEANER, AIR, ELEMENT SUPPORT PLATE
7-1-3	G1713E3001000	CLEANER, AIR, ELEMENT
7-1-4	G1715E3001000	CLEANER, AIR, SHELL COVER
7-1-5	G1720E3001000	CLEANER, AIR, FASTENING SCREW
7-2	G1701E0101000	GASKET, AIR CLEANER
7-3	G900406000011	NUT

FIG.8MUFFLER ASSY.



No.	ID Zboží	Název
8-1	G1803E3001000	
8-2	G901648016010	SCREW, CROSS GROOVE PAN
8-3		BOLT
8-4		BOLT
8-5	G1810E3001000	MUFFLER ASSY.
8-6	G900508000010	
8-7	G1803E3001000	
8-8	G1826E3001000	COVER, GASKET

FIG.9 FLYWHEEL / IMPELLER / STARTER PULLEY / IGNITION COIL



No.	ID Zboží	Název
9-1		BOLT
9-2	G910214000010	NUT, FLYWHEEL
9-3	G2802E2102000	START CUP
9-4	G1935E2102000	FAN
9-5		BOLT
9-6	G1508E3001000	
9-7	G3292E3001000	
9-8	G1506E3001000	COIL, IGNITION

No.	ID Zboží	Název
9-9		BOLT
9-10	G3293E3002000	
9-11		BOLT
9-12		BOLT
9-13		BOLT
9-14	G3306E3001000	CLAMP
9-15	G1536E3001000	SENSOR, ENGINE OIL